



# EN3P4MPX Datasheet

DiGi Electronics Part Number	EN3P4MPX-DG
Manufacturer	<a href="#">Switchcraft Inc.</a>
Manufacturer Product Number	EN3P4MPX
Description	CONN RCPT MALE 4POS GOLD SOLDER

<https://www.DiGi-Electronics.com>

**Detailed Description** 4 Position Circular Connector Receptacle, Male Pins Solder

This model EN3P4MPX is available at DiGi Electronics.

DiGi Electronics offers a global database of semiconductor and electronic component datasheets. We welcome your inquiries regarding pricing, lead time, or other product-related questions.

 [Request a Quote](#)

 [Datasheet Search](#)

 Tel: +00 852-30501935

RFQ Email: [Info@DiGi-Electronics.com](mailto:Info@DiGi-Electronics.com)

DiGi is a global authorized distributor of electronic components.

## Purchase and inquiry

Manufacturer Product Number:

EN3P4MPX

Series:

EN3®

Connector Type:

Receptacle, Male Pins

Shell Size - Insert:

-

Mounting Type:

Panel Mount, Through Hole

Termination:

Solder

Orientation:

Keyed

Shell Material:

Thermoplastic

Contact Finish - Mating:

Gold

Ingress Protection:

IP66/IP68 - Dust Tight, Water Resistant, Waterproof

Features:

-

Current Rating (Amps):

Manufacturer:

Switchcraft Inc.

Product Status:

Active

Number of Positions:

4

Shell Size, MIL:

-

Mounting Feature:

Bulkhead - Front Side Nut

Fastening Type:

Bayonet Lock

Primary Material:

Plastic

Shell Finish:

-

Color:

Black

Material Flammability Rating:

UL94 V-0

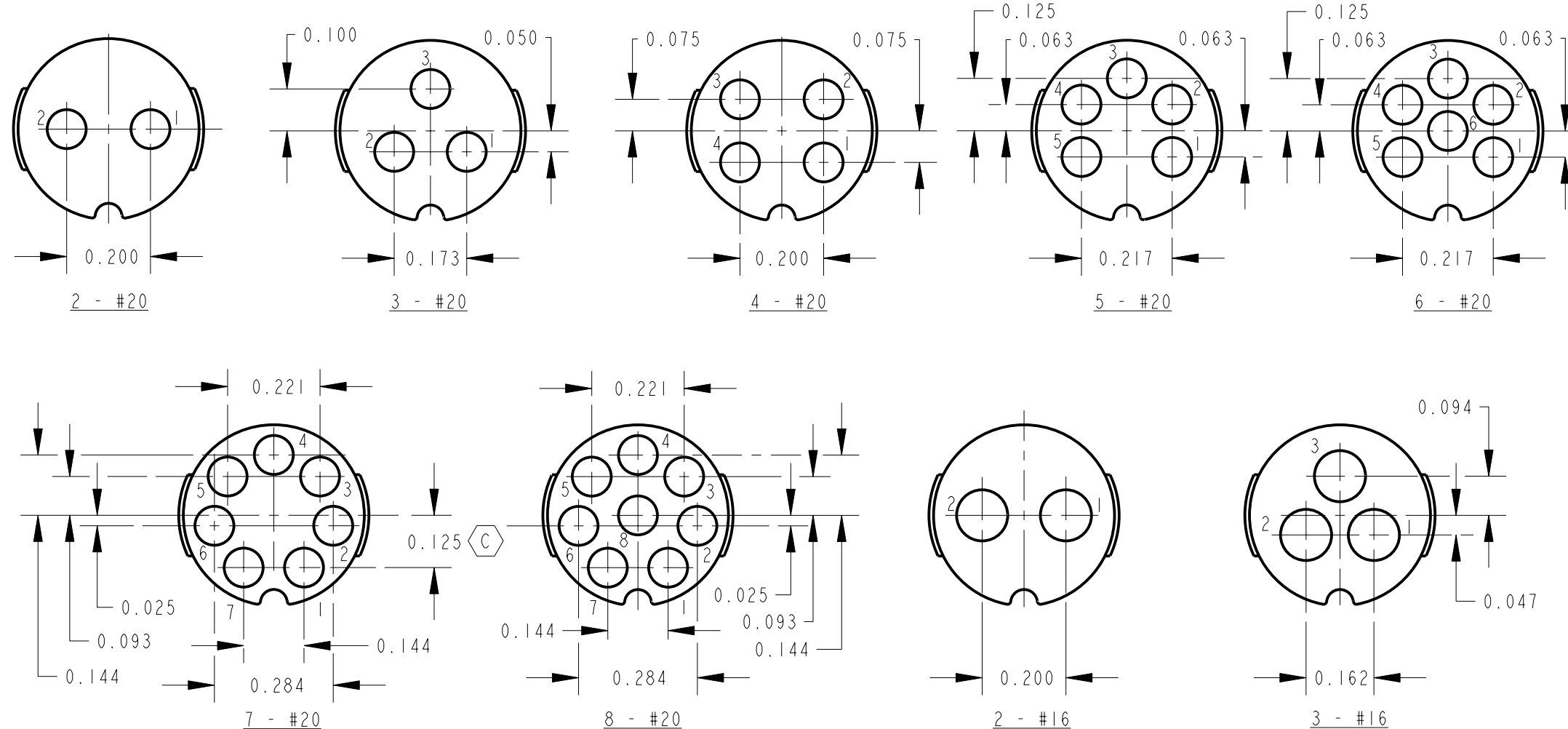
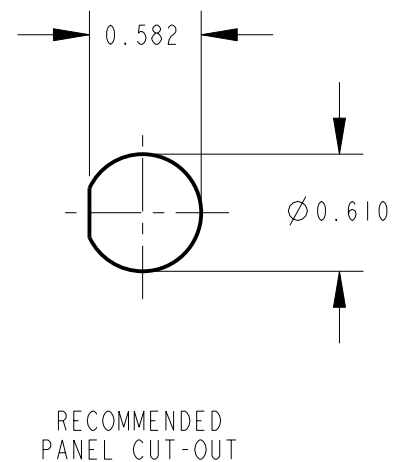
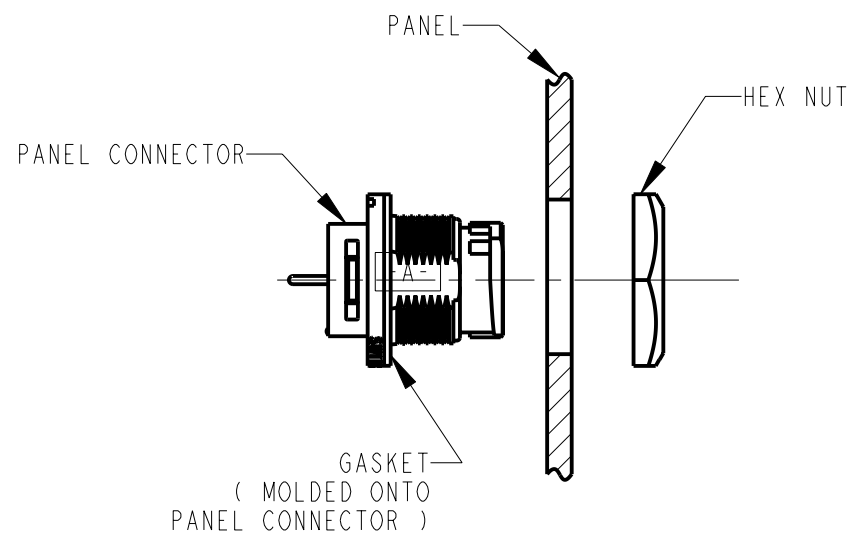
Shielding:

Unshielded

Voltage Rating:

# EN3P4MPX Switchcraft Inc. CONN RCPT MALE 4POS GOLD SOLDER

## SWITCHCRAFT PANEL CONNECTOR ASSEMBLY INSTRUCTIONS



## SPECIFICATIONS

**MECHANICAL:**  
SHOCK: MIL-STD 202 METHOD 213B, COND. K.  
VIBRATION: MIL-STD 202 METHOD 201  
LIFE: 300 INSERTION/WITHDRAWAL CYCLES (MINIMUM)

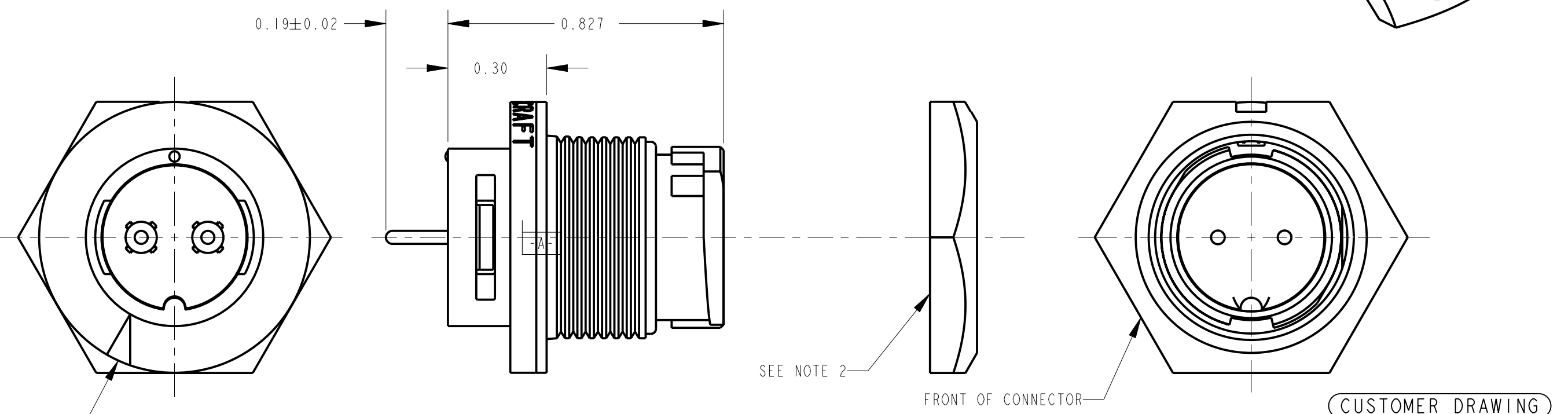
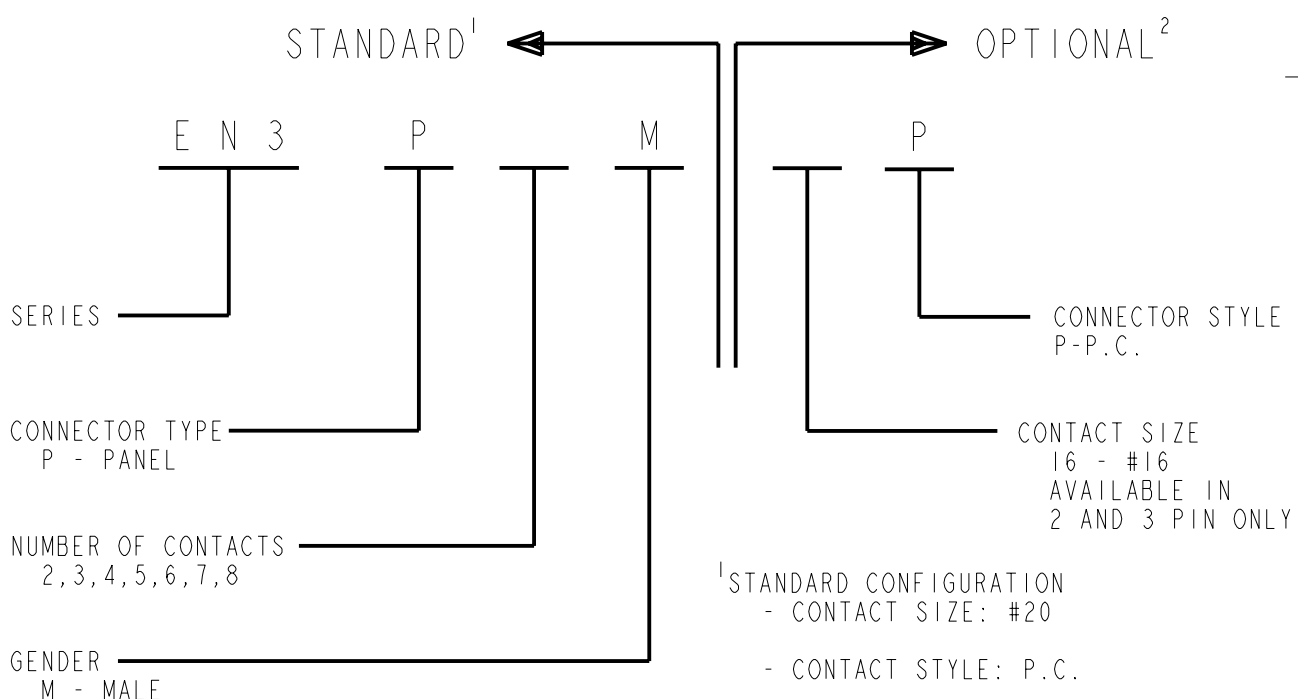
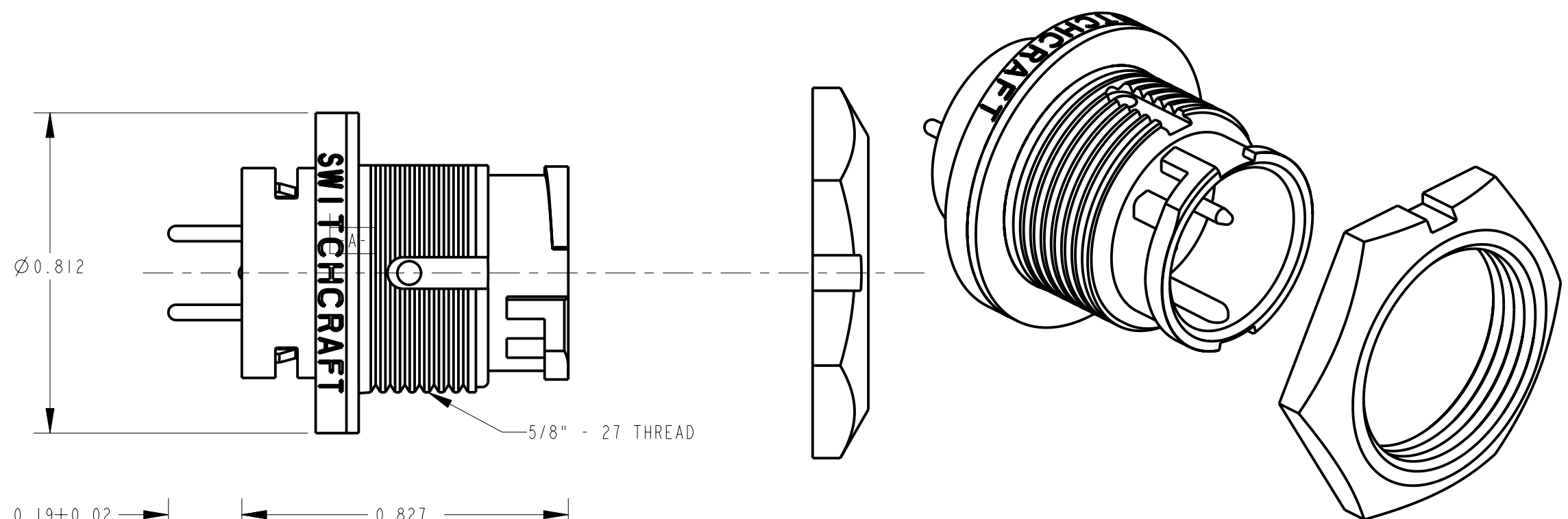
**ELECTRICAL:**  
DIELECTRIC WITHSTANDING VOLTAGE: 1,000 VAC  
INSULATION RESISTANCE: 100 MEGOHMS (MIN) AT 77°F  
CONTACT RESISTANCE: 5.0 MILLOHMS MAX.  
CURRENT RATING: 7.5 AMPS (#20 CONTACT)  
6.5 AMPS (7 & 8 PIN #20 CONTACT)  
13.0 AMPS (#16 CONTACT)

**ENVIRONMENTAL:**  
TEMPERATURE LIMITS: -40°C TO +65°C (NON-OPERATING)  
MOISTURE RESISTANCE: MIL-STD 202 METHOD 106F  
INSULATION RESISTANCE: MIL-STD 202 METHOD 302, COND. B  
THERMAL SHOCK: MIL-STD 202 METHOD 107G  
SALT SPRAY: MIL-STD 202 METHOD 101D, COND. B  
WATER TIGHTNESS TEST: U.S. COAST GUARD CFR 46 PART 110.20

### NOTES:

- HEX NUT TORQUE: 8 TO 10 INCH-LBS. OF TORQUE (MUST NOT EXCEED 10 INCH-LBS.)
- HEX NUT SHIPPED UNASSEMBLED.

**MATERIALS:**  
PANEL CONNECTOR SHELL, CONTACT LOCKING DISC: THERMOPLASTIC POLYMER GLASS FIBER, FLAME RETARDANT  
CONNECTOR SHELL INTERIOR: THERMOPLASTIC RUBBER  
CONTACTS: COPPER BASE ALLOY GOLD-PLATED OVER NICKEL UNDERPLATE  
HEX NUT: THERMOPLASTIC



<sup>1</sup>STANDARD CONFIGURATION  
- CONTACT SIZE: #20  
- CONTACT STYLE: P.C.  
- CONTACTS FACTORY INSTALLED  
- PACKAGED IN BULK

REV	ECO NUMBER	DATE	BY	APVD
F	24661	3-4-04	JL	EB
E	23595	2-6-01	JL	DK
D	22232	2-20-98	SG	SC
C	ECO #21600	4-18-97	OM	FL
B	ECO #21461	11-1-96	MM	FL
A	RELEASE TO MFG. ECO #21376	9-19-96	SG	FL

★ STAR SYMBOL DENOTES CRITICAL DIMENSION

UNLESS OTHERWISE SPECIFIED

- ALL DIMENSIONS IN INCHES  
- TWO PLACE DECIMALS ±0.01  
- THREE PLACE DECIMALS ±0.005  
- ANGLES ±1°  
- ALL DIA. CONCENTRIC WITHIN 0.005 T.I.R.
- FEATURES ON THE SAME CENTERLINE MUST BE ALIGNED WITHIN ±0.002
- REMOVE ALL BURRS

DO NOT SCALE DRAWING

SIZE	WIDTH	MULT	LBS/M	TEMPER
THIS DRAWING DESCRIBES A DESIGN CONSIDERED PROPRIETARY IN NATURE, DEVELOPED AND MANUFACTURED BY SWITCHCRAFT INC. AND IS RELEASED ON A CONFIDENTIAL BASIS FOR IDENTIFICATION PURPOSES ONLY.				
FINISH SPEC No.		MATERIAL SPEC No.		
FIRST USED ON		SCALE 3:1		
DATE DRAWN	BY	CHKD	APVD	
3-8-96	CCB	CCB	FL	
		3-8-96	3-14-96	
NAME			PART No.	REV
MALE PANEL CONNECTOR			EN3P_M_P	F

# OUR CERTIFICATE

DiGi provide top-quality products and perfect service for customer worldwide through standardization, technological innovation and continuous improvement. DiGi through third-party certification, we striciy control the quality of products and services. Welcome your RFQ to

Email: [Info@DiGi-Electronics.com](mailto:Info@DiGi-Electronics.com)



Tel: +00 852-30501935

RFQ Email: [Info@DiGi-Electronics.com](mailto:Info@DiGi-Electronics.com)

DiGi is a global authorized distributor of electronic components.