



M112BPCX Datasheet

| | |
|------------------------------|----------------------------------|
| DiGi Electronics Part Number | M112BPCX-DG |
| Manufacturer | Switchcraft Inc. |
| Manufacturer Product Number | M112BPCX |
| Description | CONN JACK STEREO 6.35MM PNL MNT |

<https://www.DiGi-Electronics.com>

Detailed Description 6.35mm (0.250", 1/4") - Headphone Phone Jack Stereo (3 Conductor, TRS) Connector Solder

This model M112BPCX is available at DiGi Electronics.

DiGi Electronics offers a global database of semiconductor and electronic component datasheets. We welcome your inquiries regarding pricing, lead time, or other product-related questions.

 [Request a Quote](#)

 [Datasheet Search](#)

 Tel: +00 852-30501935

RFQ Email: Info@DiGi-Electronics.com

DiGi is a global authorized distributor of electronic components.

Purchase and inquiry

Manufacturer Product Number:

M112BPCX

Series:

Hi-D JAX® M-11*

Connector Type:

Phone Jack

Signal Lines:

Stereo (3 Conductor, TRS)

Actual Diameter:

0.250" (6.35mm)

Internal Switch(s):

Does Not Contain Switch

Termination:

Solder

Features:

Mounting Hardware, Thread Lock

Operating Temperature:

-20°C ~ 65°C

Current Rating (Amps):

250 mA

Contact Material - Plating:

Tin

Body Color:

Manufacturer:

Switchcraft Inc.

Product Status:

Active

Gender:

Female

Industry Recognized Mating Diameter:

6.35mm (0.250", 1/4") - Headphone

Number of Positions/Contacts:

3 Conductors, 3 Contacts

Mounting Type:

Panel Mount, Through Hole

Shielding:

Unshielded

Insulation Color:

-

Voltage - Rated:

48VDC

Mating Length/Depth:

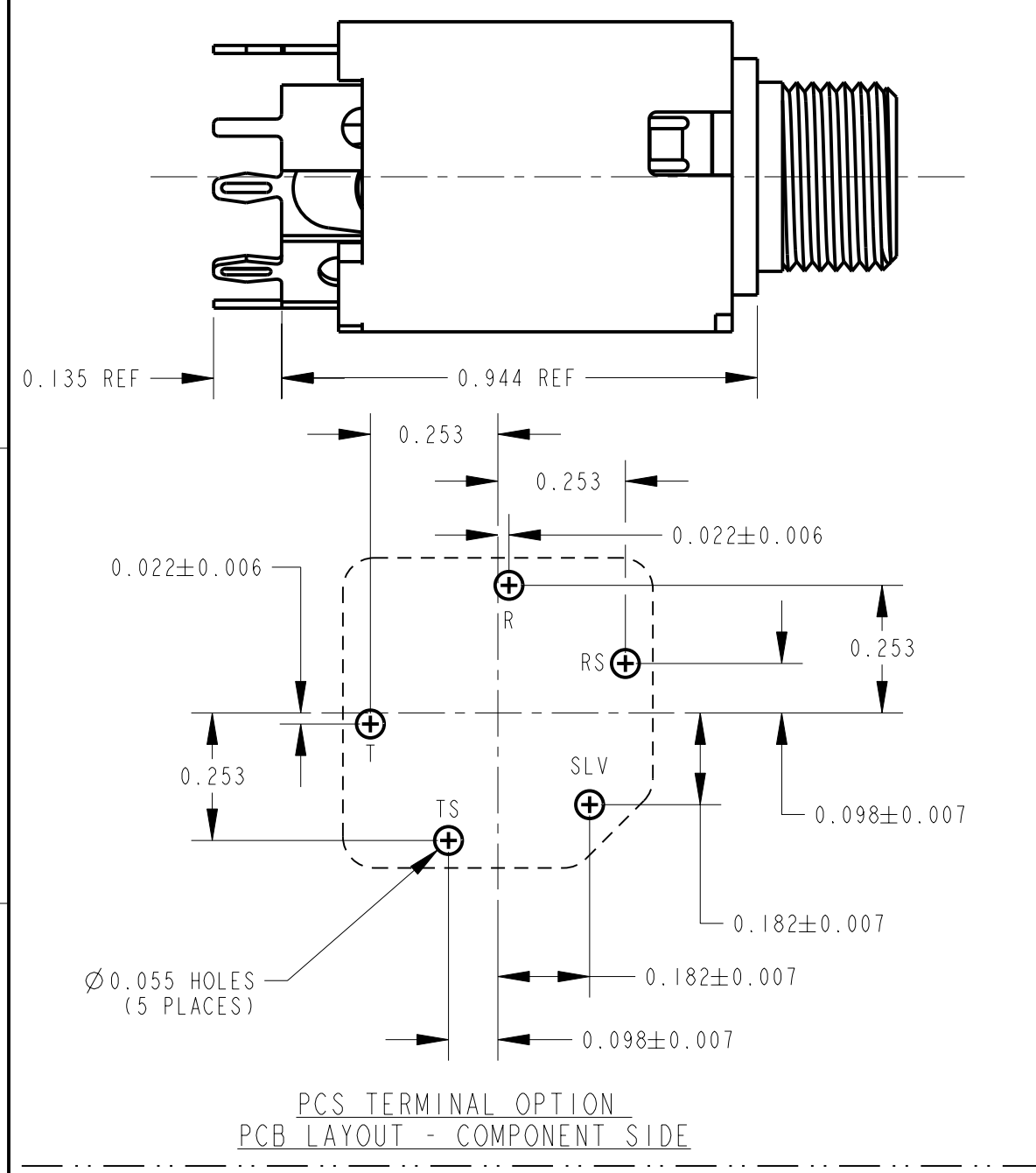
-

Body Material:

Brass

Includes:

M112BPCX Switchcraft Inc. CONN/JACK STEREO 6.35MM PNL MNT



TERMINAL FINISH OPTIONS:

11 R₀HS COMPLIANT

X R₀HS COMPLIANT

BLANK - (STD) ELECTRO-TIN PLATED

M - GOLD PLATED SPRINGS WITH GOLD CONTACTS ON RING SPRINGS AND SHUNT SPRINGS (WHEN SHUNTS ARE USED)

TERMINAL OPTIONS:

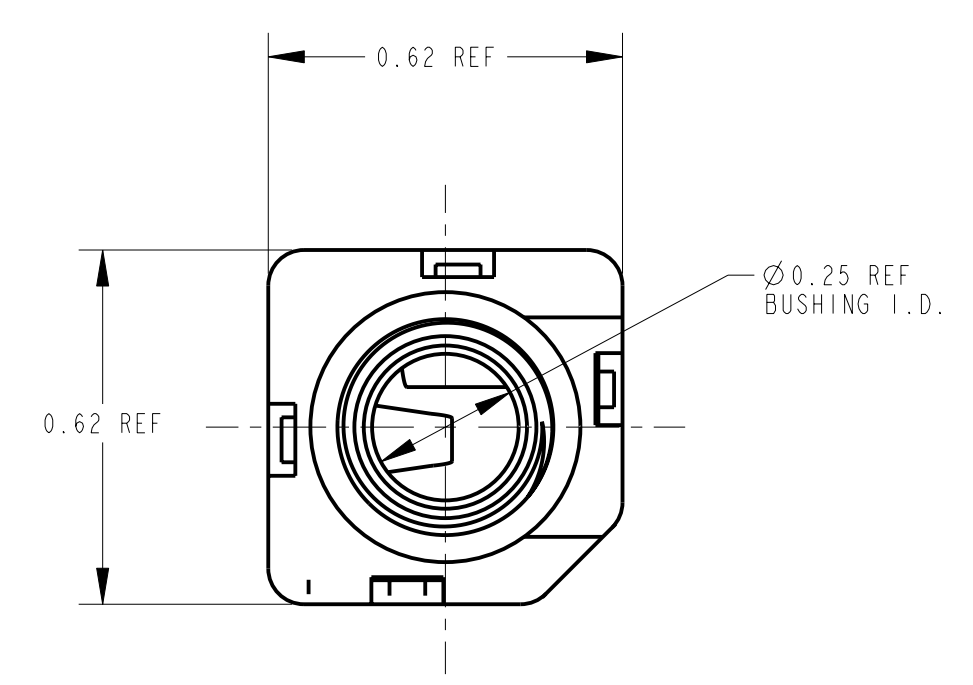
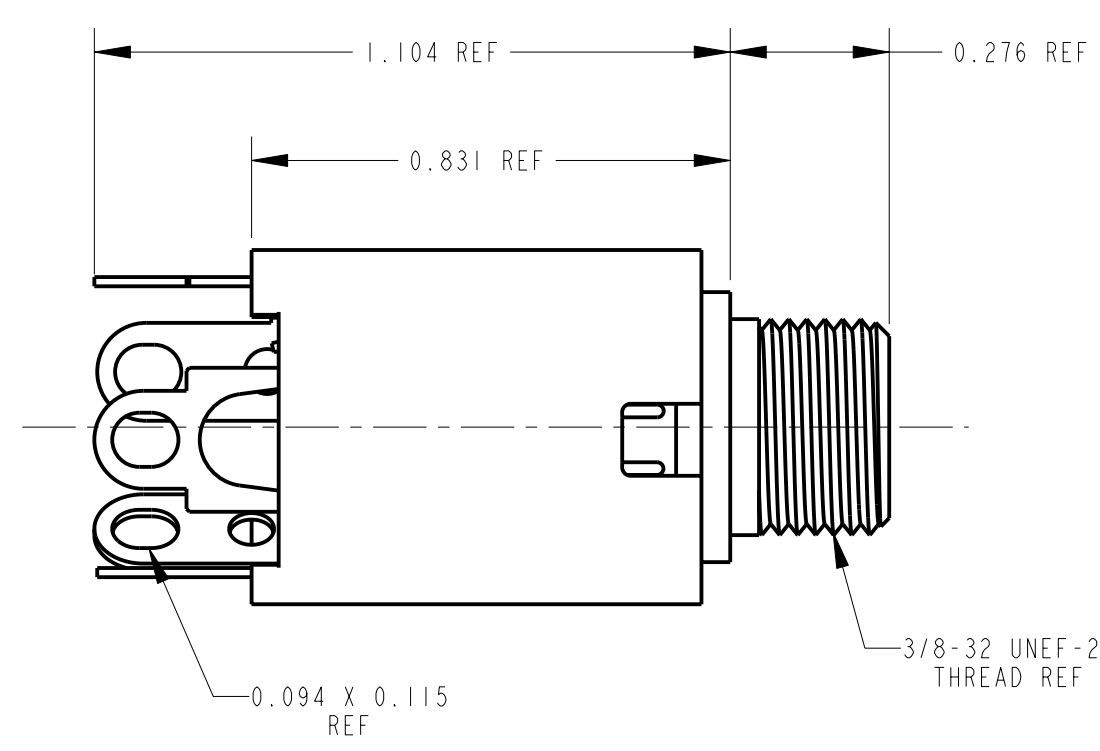
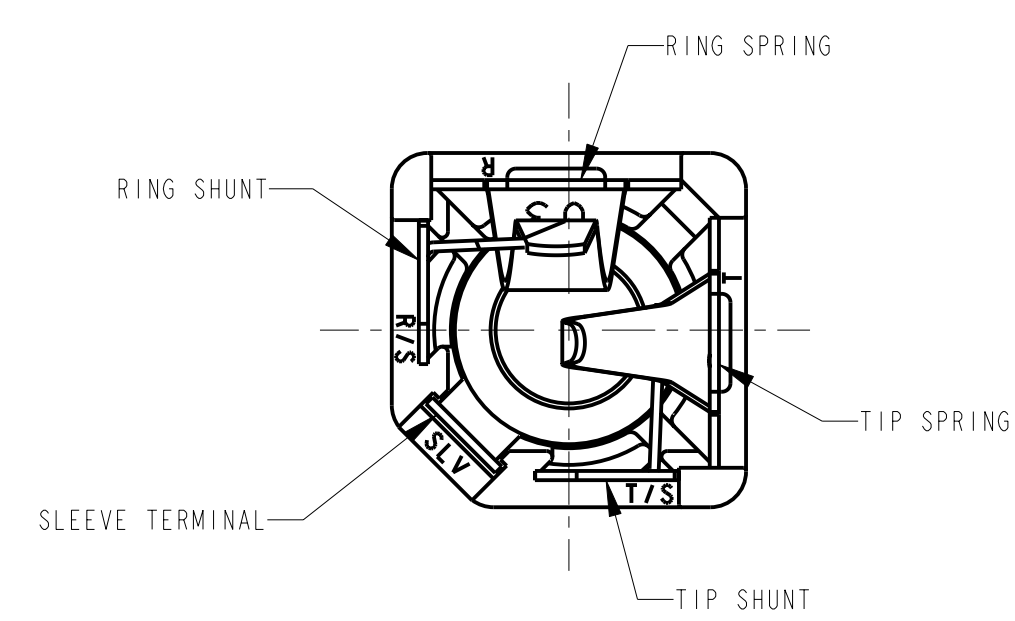
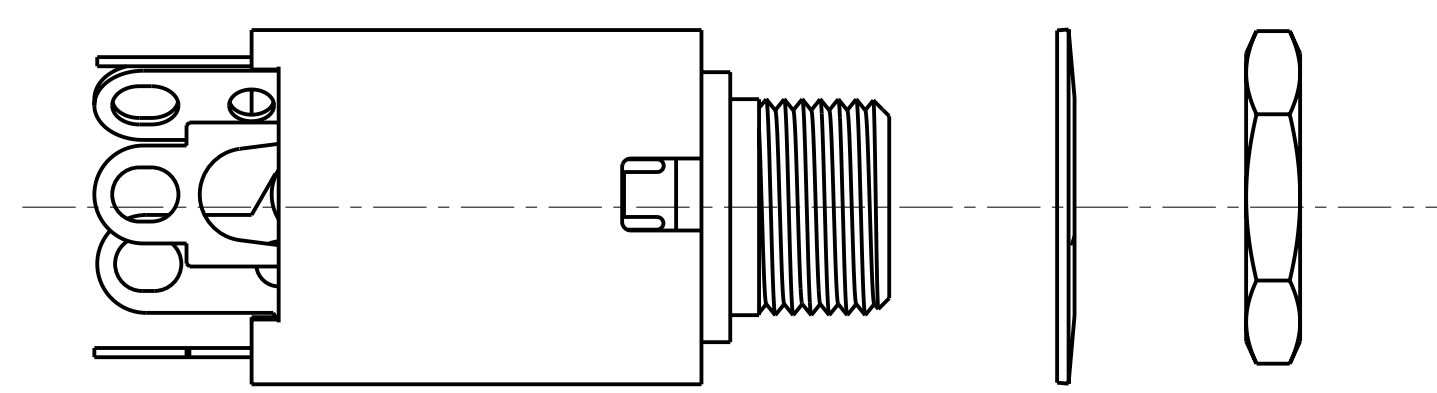
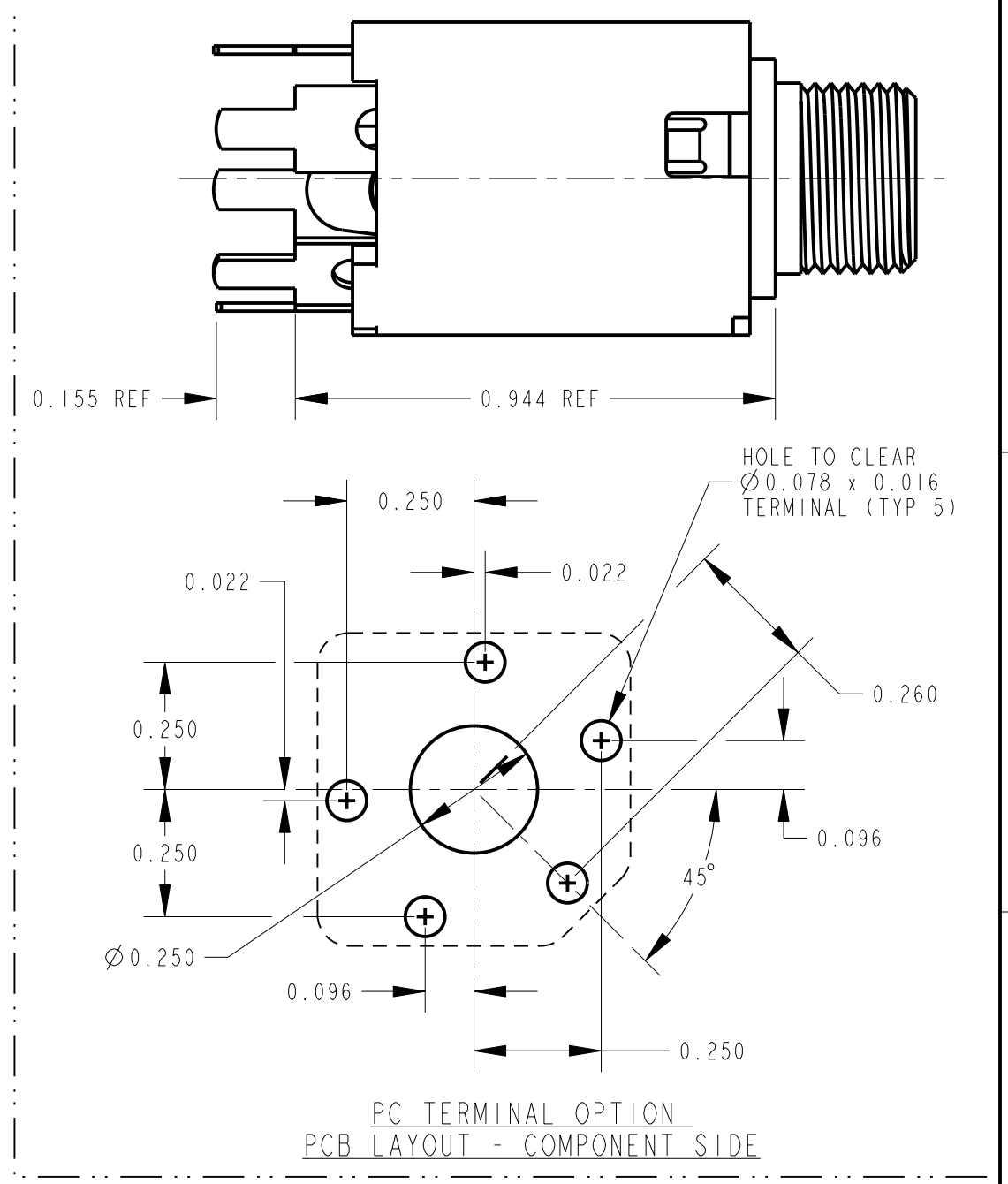
BLANK - SOLDER TERMINAL

PC - 0.078 WIDE PC TAILS

PCS - SNAP-IN PC TAILS

CIRCUITRY OPTIONS:

| | |
|--|-----------------|
| 1 - TIP OPEN CIRCUIT | TIP SLEEVE |
| 2A - TIP CLOSED CIRCUIT | TIP SLEEVE |
| 2B - TIP & RING OPEN CIRCUIT | RING TIP SLEEVE |
| 3 - TIP OPEN CIRCUIT AND ISOLATE "MAKE" CIRCUIT | TIP SLEEVE |
| 3B - TIP CLOSED CIRCUIT AND RING OPEN CIRCUIT (I-C TRANSFER) | RING TIP SLEEVE |
| 3D - 1 TIP CLOSED CIRCUIT AND 1 TIP OPEN CIRCUIT | TIP SLEEVE |
| 3E - TIP OPEN CIRCUIT AND ISOLATED "BREAK" CIRCUIT | TIP SLEEVE |
| 3F - TIP OPEN CIRCUIT AND RING CLOSED CIRCUIT | RING TIP SLEEVE |
| 4B - TIP & RING CLOSED CIRCUIT | RING TIP SLEEVE |



- NOTES:
- HARDWARE SHIPPED UNASSEMBLED.
 - MAXIMUM PANEL THICKNESS: 0.156
 - MATERIALS:
HOUSING - POLYESTER GLASS FILLED, BLACK
BUSHING - BRASS, NICKEL PLATED
SLEEVE TERMINAL - BRASS, LEAD FREE ELECTRO-TIN PLATED
SPRINGS - NICKEL SILVER, LEAD FREE ELECTRO-TIN PLATED
LIFTERS - NYLON (113 & 113E CIRCUIT OPTIONS)
WASHER - STEEL, NICKEL PLATED
NUT - BRASS, NICKEL PLATED
 - THIS PRODUCT IS R₀HS COMPLIANT.

| REV | ECO NUMBER | DATE | BY | APVD |
|-----|------------|---------|-----|------|
| A | 26032 | 3-25-11 | TJK | MW |

REVISIONS

★ STAR SYMBOL DENOTES CRITICAL DIMENSION

UNLESS OTHERWISE SPECIFIED

- ALL DIMENSIONS IN INCHES
- TWO PLACE DECIMALS ±0.01
- THREE PLACE DECIMALS ±0.005
- ANGLES ±1°
- ALL DIA. CONCENTRIC WITHIN 0.005 T.I.R.
- FEATURES ON THE SAME CENTERLINE MUST BE ALIGNED WITHIN ±0.002
- REMOVE ALL BURRS

DO NOT SCALE DRAWING

CUSTOMER DRAWING

THIS DRAWING DESCRIBES A DESIGN CONSIDERED PROPRIETARY IN NATURE, DEVELOPED AND MANUFACTURED BY SWITCHCRAFT INC. AND IS RELEASED ON A CONFIDENTIAL BASIS FOR IDENTIFICATION PURPOSES ONLY.

| | | | | |
|---|-------|----------------------|---------|--------|
| SIZE | WIDTH | MULT | LBS/M | TEMPER |
| FINISH | | MATERIAL | | |
| SPEC No. | | SPEC No. | | |
| FIRST USED ON | | SCALE | | |
| DATE DRAWN | BY | CHKD | APVD | |
| 4-18-06 | TJK | 4-18-06 | 4-18-06 | |
| NAME #3/8-32 THREADED BUSHING | | PART No. 110X SERIES | | |
| Ø0.25 I.D., HI-D JACK ASSY, R ₀ HS | | M110X SERIES | | |

Switchcraft®

SHEET | OF |

REV A

OUR CERTIFICATE

DiGi provide top-quality products and perfect service for customer worldwide through standardization, technological innovation and continuous improvement. DiGi through third-party certification, we striciy control the quality of products and services. Welcome your RFQ to

Email: Info@DiGi-Electronics.com



Tel: +00 852-30501935

RFQ Email: Info@DiGi-Electronics.com

DiGi is a global authorized distributor of electronic components.