

# N112BPC Datasheet



<https://www.DiGi-Electronics.com>

DiGi Electronics Part Number	N112BPC-DG
Manufacturer	<a href="#">Switchcraft Inc.</a>
Manufacturer Product Number	N112BPC
Description	CONN JACK STEREO 6.35MM PNL MNT

**Detailed Description** 6.35mm (0.250", 1/4") - Headphone Phone Jack Stereo (3 Conductor, TRS) Connector Solder

This model N112BPC is available at DiGi Electronics.

DiGi Electronics offers a global database of semiconductor and electronic component datasheets. We welcome your inquiries regarding pricing, lead time, or other product-related questions.

 [Request a Quote](#)

 [Datasheet Search](#)

 Tel: +00 852-30501935

RFQ Email: [Info@DiGi-Electronics.com](mailto:Info@DiGi-Electronics.com)

DiGi is a global authorized distributor of electronic components.



## Purchase and inquiry

Manufacturer Product Number:

N112BPC

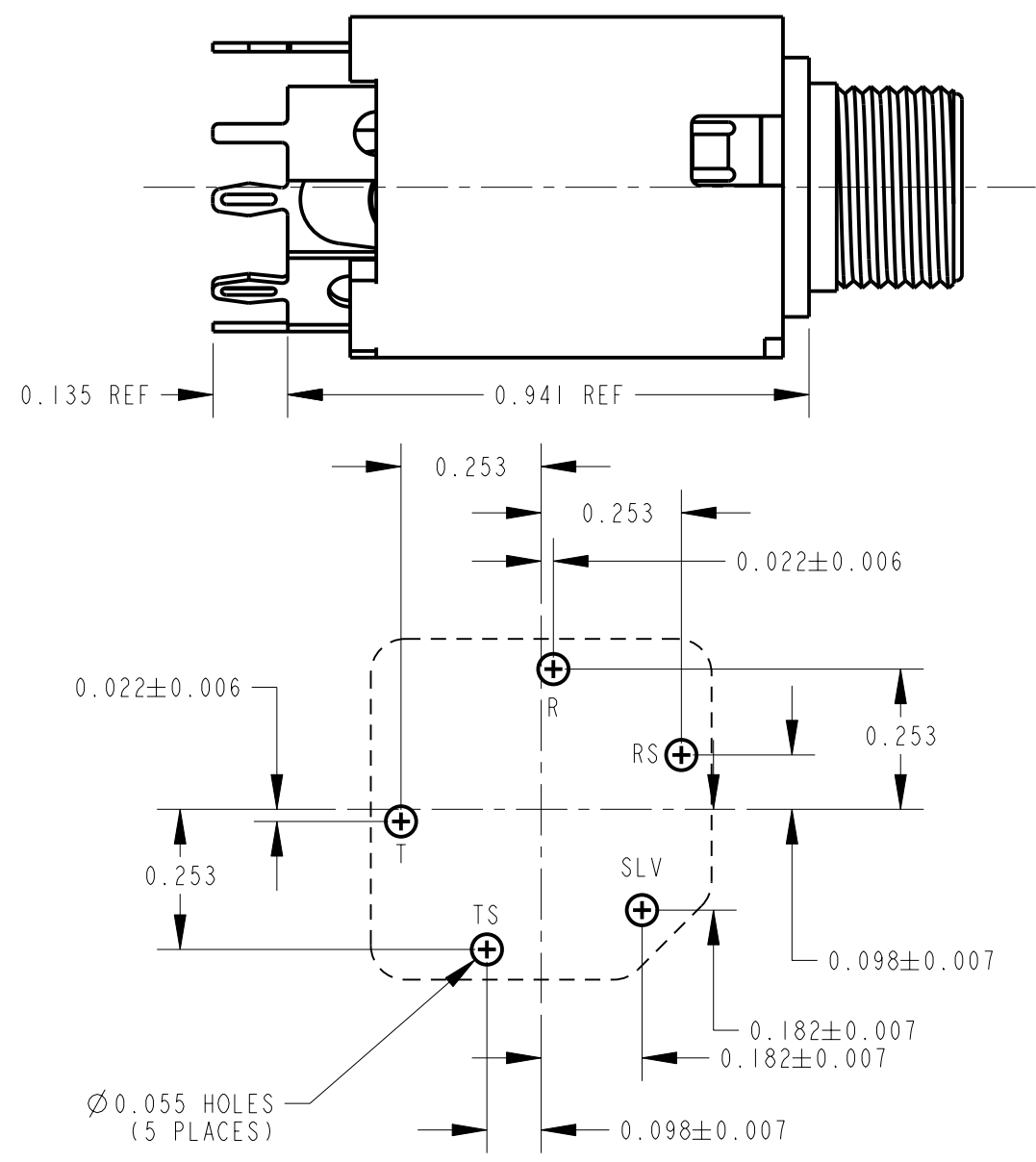
Series:

Hi-D® NL11

Manufacturer:

Switchcraft Inc.

N112BPC Switchcraft Inc. CONN JACK STEREO 6.35MM PNL MNT



PCS TERMINAL OPTION  
PCB LAYOUT - COMPONENT SIDE

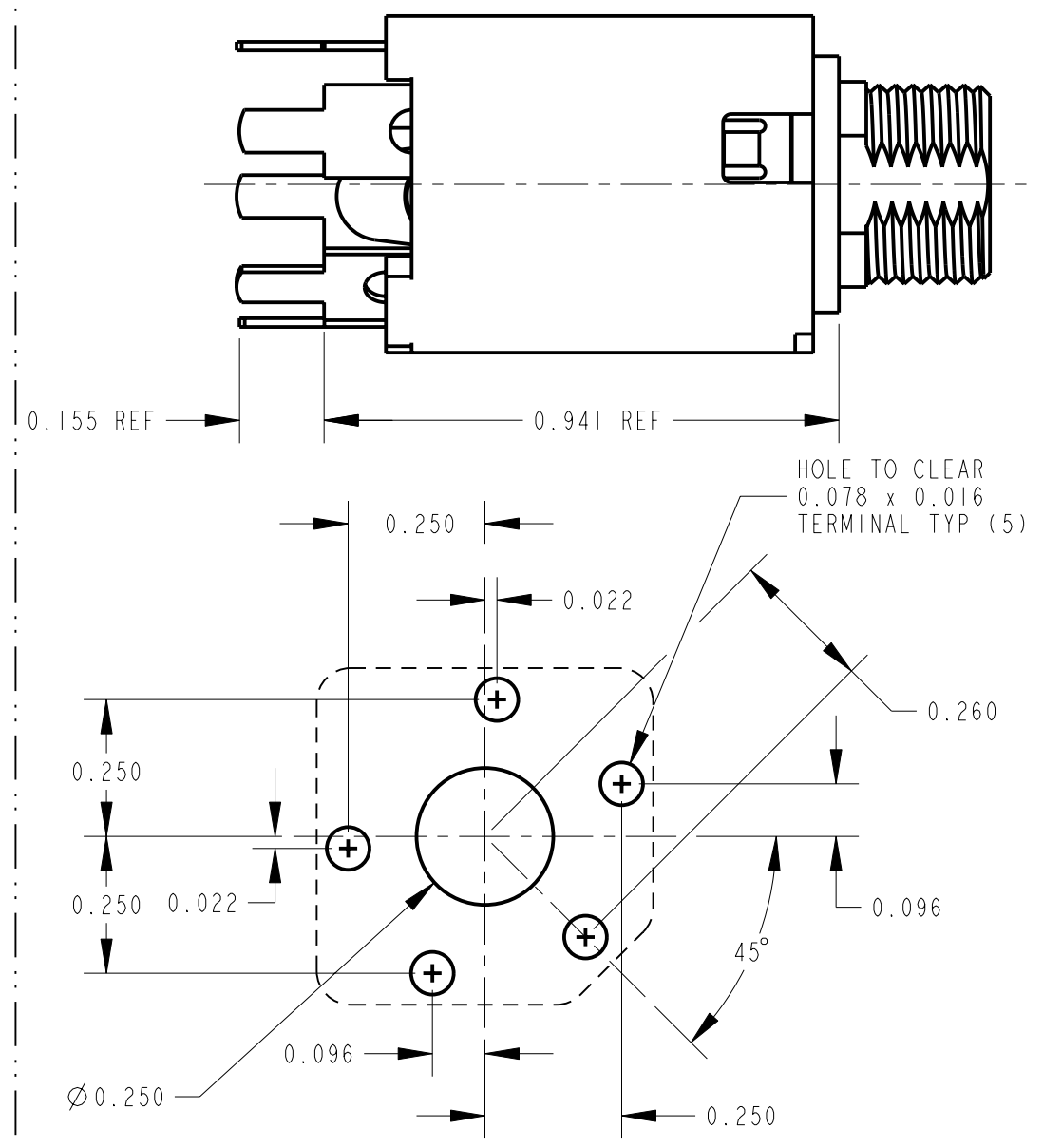
N - MOLDED INSULATING NYLON BUSHING  
 MN - "M" - GOLD PLATED SPRINGS WITH GOLD ALLOY CONTACTS ON RING SPRINGS AND SHUNT SPRINGS (WHEN SHUNTS ARE USED)  
 "N" - MOLDED INSULATING NYLON BUSHING

11 X  
 RoHS COMPLIANT

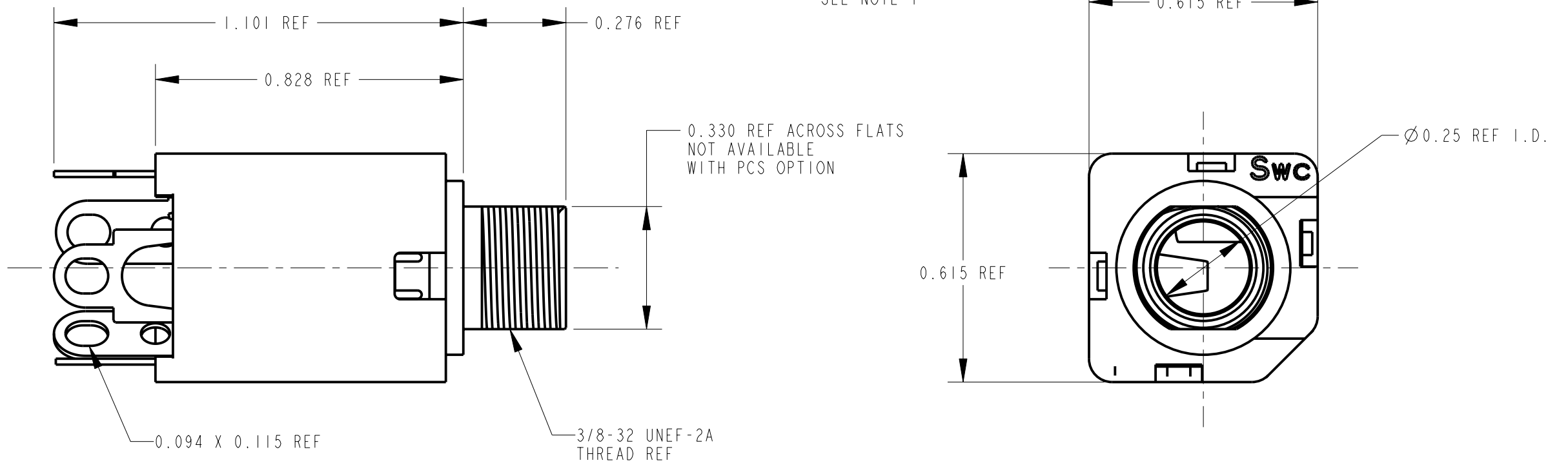
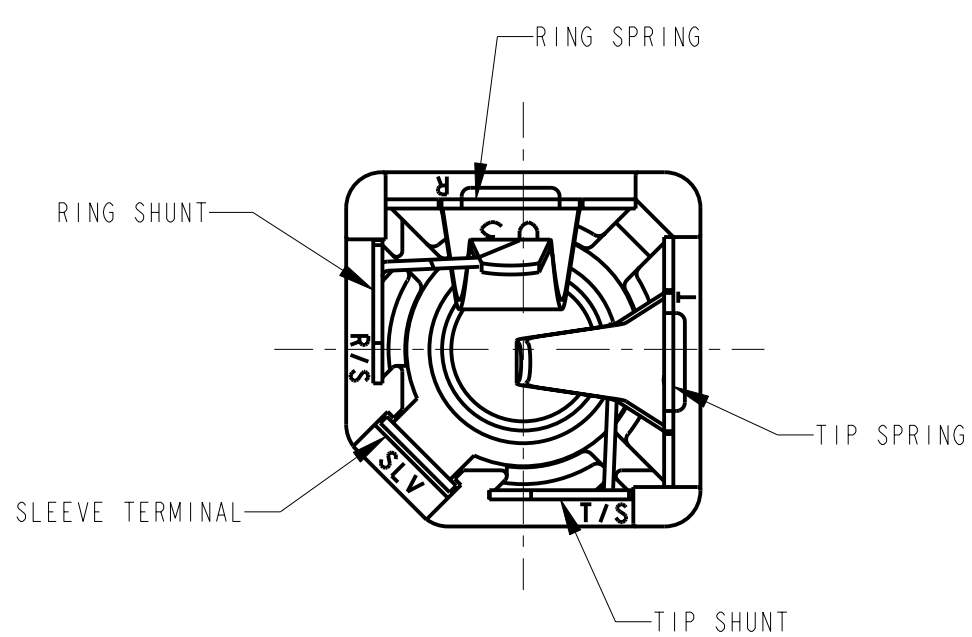
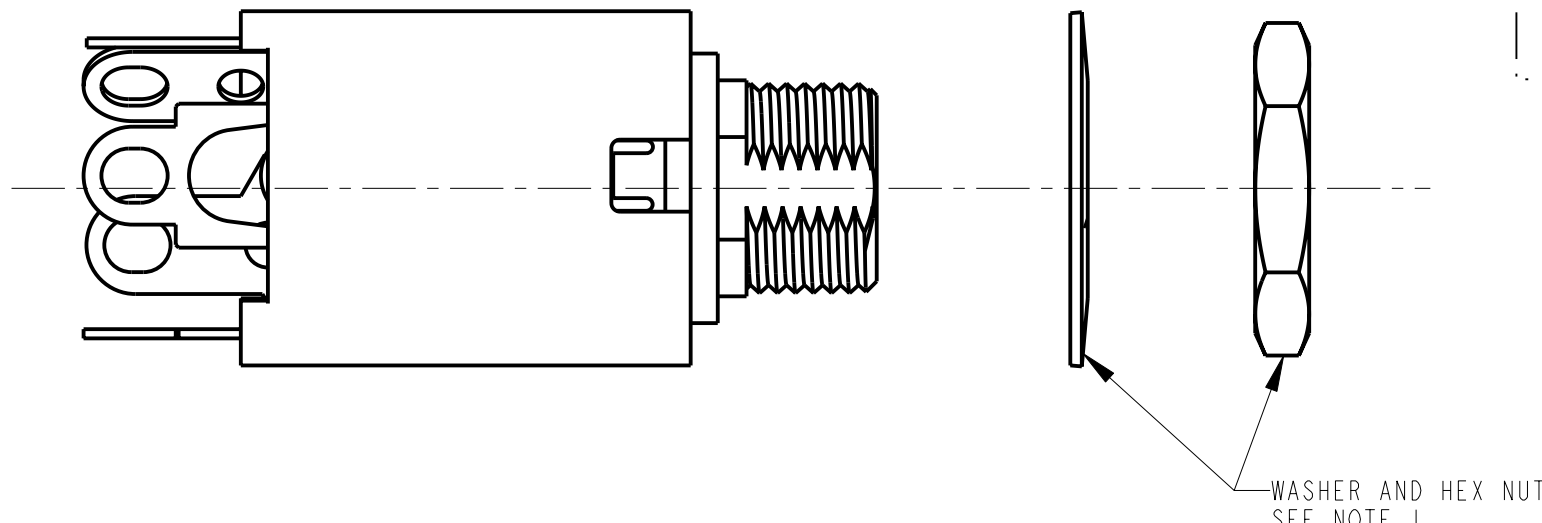
TERMINAL OPTIONS:  
 BLANK - SOLDER TERMINAL  
 PC - 0.078 WIDE PC TAILS  
 PCS - SNAP-IN PC TAILS

CIRCUITRY:

1 - TIP OPEN CIRCUIT	TIP SLEEVE
2A - TIP CLOSED CIRCUIT	TIP SLEEVE
2B - TIP & RING OPEN CIRCUIT	RING TIP SLEEVE
3 - TIP OPEN CIRCUIT AND ISOLATE "MAKE" CIRCUIT	TIP SLEEVE
3B - TIP CLOSED CIRCUIT AND RING OPEN CIRCUIT (I-C TRANSFER)	RING TIP SLEEVE
3D - 1 TIP CLOSED CIRCUIT AND 1 TIP OPEN CIRCUIT	TIP TIP SLEEVE
3E - TIP OPEN CIRCUIT AND ISOLATED "BREAK" CIRCUIT	TIP SLEEVE
3F - TIP OPEN CIRCUIT AND RING CLOSED CIRCUIT	RING TIP SLEEVE
4B - TIP & RING CLOSED CIRCUIT	RING TIP SLEEVE



PC TERMINAL OPTION  
PCB LAYOUT - COMPONENT SIDE



SOLDER TERMINAL OPTION

- NOTES:
- HARDWARE SHIPPED UNASSEMBLED.
  - MAXIMUM PANEL THICKNESS: 0.156
  - MATERIALS:  
 HOUSING - POLYESTER GLASS FILLED, BLACK  
 BUSHING - THERMOPLASTIC, BLACK WITH BRASS, NICKEL PLATED SLEEVE  
 SLEEVE TERMINAL - BRASS, LEAD FREE ELECTRO-TIN PLATED  
 SPRINGS - NICKEL SILVER, LEAD FREE ELECTRO-TIN PLATED  
 LIFTERS - NYLON (113 & 113E CIRCUIT OPTIONS)  
 WASHER - STEEL, NICKEL PLATED  
 NUT - BRASS, NICKEL PLATED
  - THIS PRODUCT IS RoHS COMPLIANT.

CUSTOMER DRAWING

★ STAR SYMBOL DENOTES CRITICAL DIMENSION		THIS DRAWING DESCRIBES A DESIGN CONSIDERED PROPRIETARY IN NATURE, DEVELOPED AND MANUFACTURED BY SWITCHCRAFT INC. AND IS RELEASED ON A CONFIDENTIAL BASIS FOR IDENTIFICATION PURPOSES ONLY.				
UNLESS OTHERWISE SPECIFIED		SIZE	WIDTH	MULT	LBS/M	TEMPER
1. ALL DIMENSIONS IN INCHES - TWO PLACE DECIMALS ±0.01 - THREE PLACE DECIMALS ±0.005 - ANGLES ±1° - ALL DIA. CONCENTRIC WITHIN 0.005 T.I.R.		FINISH		MATERIAL SPEC No.		
2. FEATURES ON THE SAME CENTERLINE MUST BE ALIGNED WITHIN ±0.002		FIRST USED ON		SCALE 3:1		
3. REMOVE ALL BURRS		DATE DRAWN	BY	CHKD	APVD	
DO NOT SCALE DRAWING		02-Apr-07	TJK	4-2-07	4-2-07	
REVISIONS		NAME #3/8-32 INSULATED BUSHING		PART No. N110X SERIES		
A	26032	3-25-11	TJK	TJK	REV A	
REV	ECO NUMBER	DATE	BY	APVD	MN110X SERIES	

**Switchcraft**  
SHEET | OF |

# OUR CERTIFICATE

DiGi provide top-quality products and perfect service for customer worldwide through standardization, technological innovation and continuous improvement. DiGi through third-party certification, we striciy control the quality of products and services. Welcome your RFQ to

Email: [Info@DiGi-Electronics.com](mailto:Info@DiGi-Electronics.com)



Tel: +00 852-30501935

RFQ Email: [Info@DiGi-Electronics.com](mailto:Info@DiGi-Electronics.com)

DiGi is a global authorized distributor of electronic components.