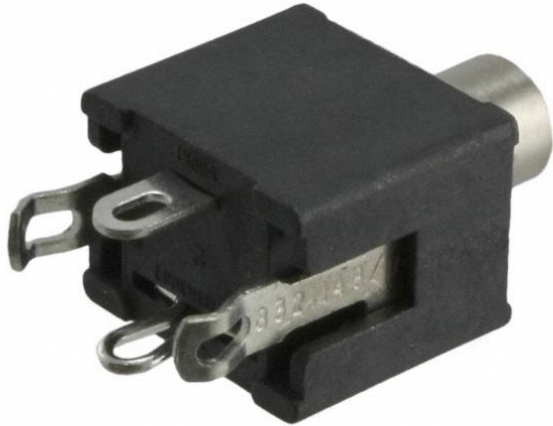


www.digi-electronics.com



<https://www.DiGi-Electronics.com>

42AX Datasheet

DiGi Electronics Part Number	PC142AX-DG
Manufacturer	Switchcraft Inc.
Manufacturer Product Number	PC142AX
Description	CONN JACK MONO 3.55MM PCB

Detailed Description 3.55mm (0.14", Tini Plug) Phone Jack Mono Connector Solder Eyelet(s)

This model PC142AX is available at DiGi Electronics.

DiGi Electronics offers a global database of semiconductor and electronic component datasheets. We welcome your inquiries regarding pricing, lead time, or other product-related questions.

 [Request a Quote](#)

 [Datasheet Search](#)

Tel: +00 852-30501935

RFQ Email: Info@DiGi-Electronics.com

DiGi is a global authorized distributor of electronic components.

Purchase and inquiry

Manufacturer Product Number:

PC142AX

Series:

TINI-D-JAX®

Connector Type:

Phone Jack

Signal Lines:

Mono

Actual Diameter:

0.145" (3.68mm)

Internal Switch(s):

Single Switch

Termination:

Solder Eyelet(s)

Features:

-

Operating Temperature:

-

Current Rating (Amps):

250 mA

Contact Material - Plating:

Tin

Body Color:

Manufacturer:

Switchcraft Inc.

Product Status:

Active

Gender:

Female

Industry Recognized Mating Diameter:

3.55mm (0.14", Tini Plug)

Number of Positions/Contacts:

2 Conductors, 3 Contacts

Mounting Type:

Through Hole

Shielding:

Unshielded

Insulation Color:

-

Voltage - Rated:

48VDC

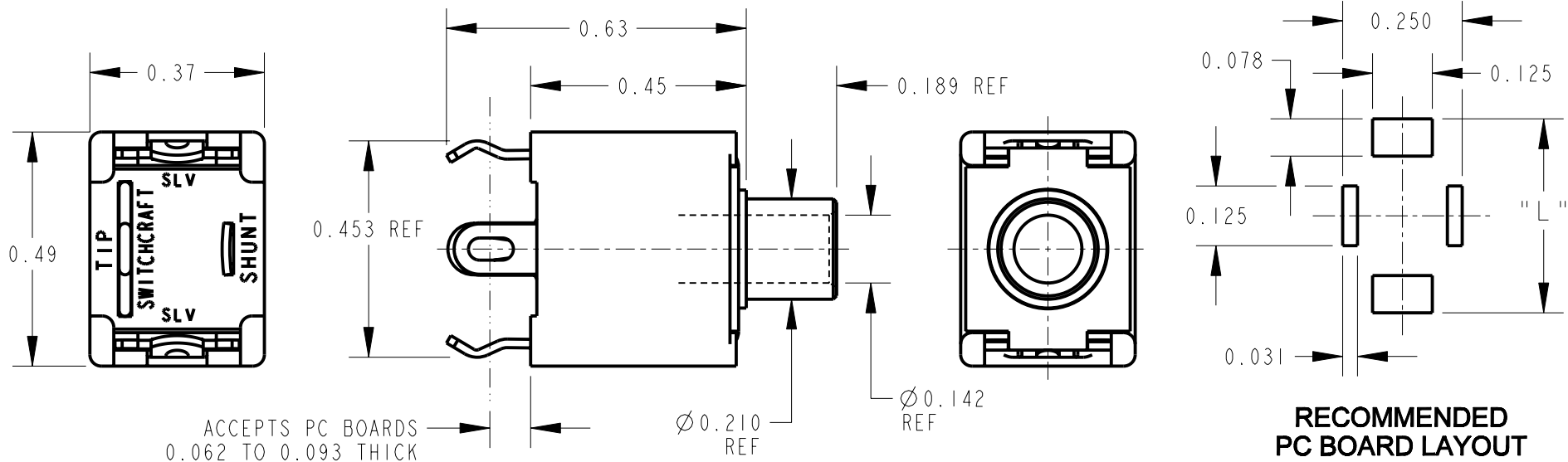
Mating Length/Depth:

-

Body Material:

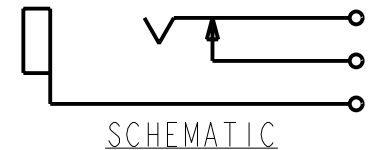
Copper Alloy

Includes:



RECOMMENDED PC BOARD LAYOUT

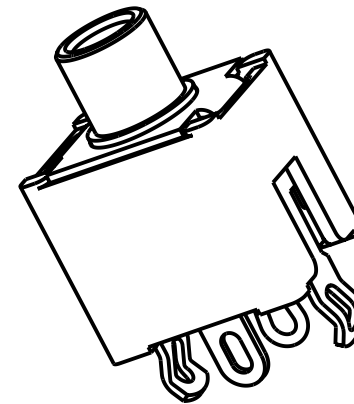
"L" DIMENSION	BOARD THICKNESS
0.406	0.062
0.422	0.078
0.437	0.093



CUSTOMER DRAWING

NOTES:

- MATERIALS:
 HOUSING - THERMOPLASTIC, BLACK
 BUSHING - COPPER ALLOY, NICKEL PLATED
 SLEEVE TERMINAL - STEEL, TIN PLATED
 TIP SPRING - SPECIAL COPPER ALLOY, SILVER PLATED
 SHUNT SPRING - COPPER ALLOY, SILVER PLATED
 INSULATOR WASHER - PHENOLIC
- MATES WITH SWITCHCRAFT "TINI-PLUGS"
- THIS PRODUCT IS RoHS COMPLIANT.



★ STAR SYMBOL DENOTES CRITICAL DIMENSION

UNLESS OTHERWISE SPECIFIED

- ALL DIMENSIONS IN INCHES
 - TWO PLACE DECIMALS ±0.01
 - THREE PLACE DECIMALS ±0.005
 - ANGLES ±1°
 - ALL DIA. CONCENTRIC WITHIN 0.005 T.I.R.
- FEATURES ON THE SAME CENTERLINE MUST BE ALIGNED WITHIN ±0.002
- REMOVE ALL BURRS

DO NOT SCALE DRAWING

THIS DRAWING DESCRIBES A DESIGN CONSIDERED PROPRIETARY IN NATURE, DEVELOPED AND MANUFACTURED BY SWITCHCRAFT INC. AND IS RELEASED ON A CONFIDENTIAL BASIS FOR IDENTIFICATION PURPOSES ONLY.

					SIZE	WIDTH	MULT	LBS/M	TEMPER
					FINISH			MATERIAL	
					SPEC No.			SPEC No.	
					FIRST USED ON		SCALE	Switchcraft®	
							3:1		
A	26138	8-23-06	TO	TJK	DATE DRAWN	BY	CHKD	APVD	
					6-9-14	TO	TO	TJK	
							6-9-14	6-9-14	
REV	ECO NUMBER	DATE	BY	APVD	NAME			PART No.	REV
					MOLDED 2 CONDUCTOR TINI-JAX, RoHS			PC142AX	A
REVISIONS									

OUR CERTIFICATE

DiGi provide top-quality products and perfect service for customer worldwide through standardization, technological innovation and continuous improvement. DiGi through third-party certification, we stricy control the quality of products and services. Welcome your RFQ to

Email: Info@DiGi-Electronics.com



Tel: +00 852-30501935

RFQ Email: Info@DiGi-Electronics.com

DiGi is a global authorized distributor of electronic components.