

www.digi-electronics.com



<https://www.DiGi-Electronics.com>

73MX Datasheet

DiGi Electronics Part Number	SL173MX-DG
Manufacturer	Switchcraft Inc.
Manufacturer Product Number	SL173MX
Description	CONN RCPT MALE 3P SILV SLDR CUP

Detailed Description

This model SL173MX is available at DiGi Electronics. 3 Position Circular Connector Receptacle, Male Pins Solder Cup

DiGi Electronics offers a global database of semiconductor and electronic component datasheets.

We welcome your inquiries regarding pricing, lead time, or other product-related questions.

 [Request a Quote](#)

 [Datasheet Search](#)

0 852-301

RFQ Email: Info@DiGi-Electronics.com

DiGi is a global authorized distributor of electronic components.

Purchase and inquiry

Manufacturer Product Number:

SL173MX

Series:

Slim-Line® SL17

Connector Type:

Receptacle, Male Pins

Shell Size - Insert:

SL-3M

Mounting Type:

Panel Mount

Termination:

Solder Cup

Orientation:

2

Shell Material:

Zinc Alloy

Contact Finish - Mating:

Silver

Ingress Protection:

Manufacturer:

Switchcraft Inc.

Product Status:

Active

Number of Positions:

3

Shell Size, MIL:

-

Mounting Feature:

Bulkhead - Front Side Nut

Fastening Type:

Threaded

Primary Material:

Metal

Shell Finish:

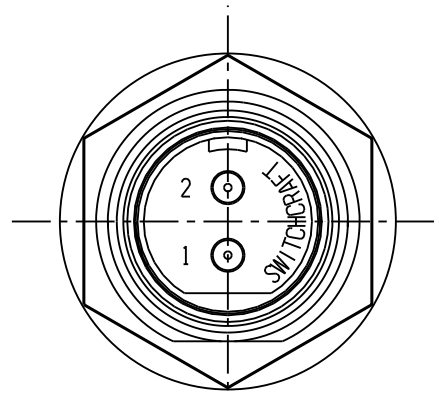
Nickel

Color:

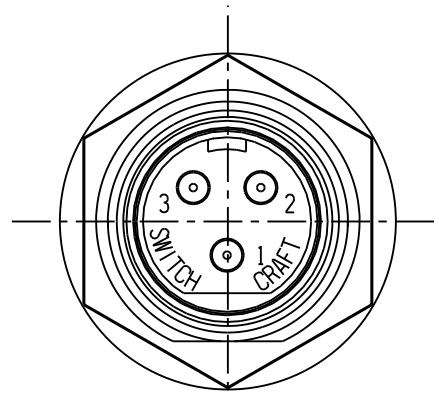
Silver

Material Flammability Rating:

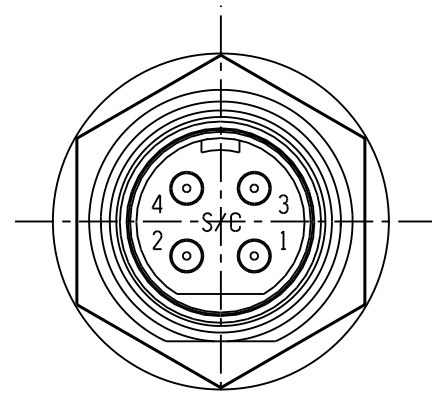
SL173MX Switchcraft Inc. CONN RCPT MALE 3P SILV SLDR CUP



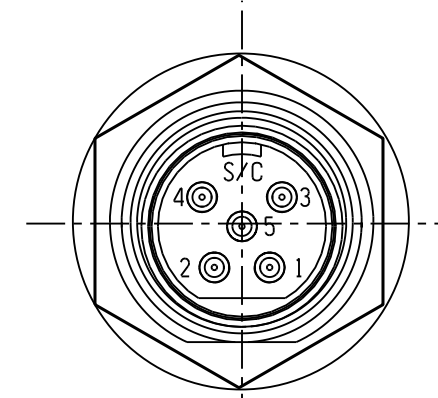
SL172MX
2PIN



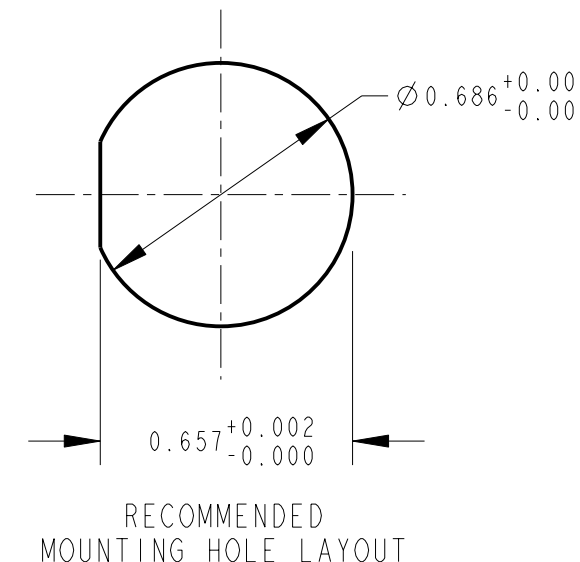
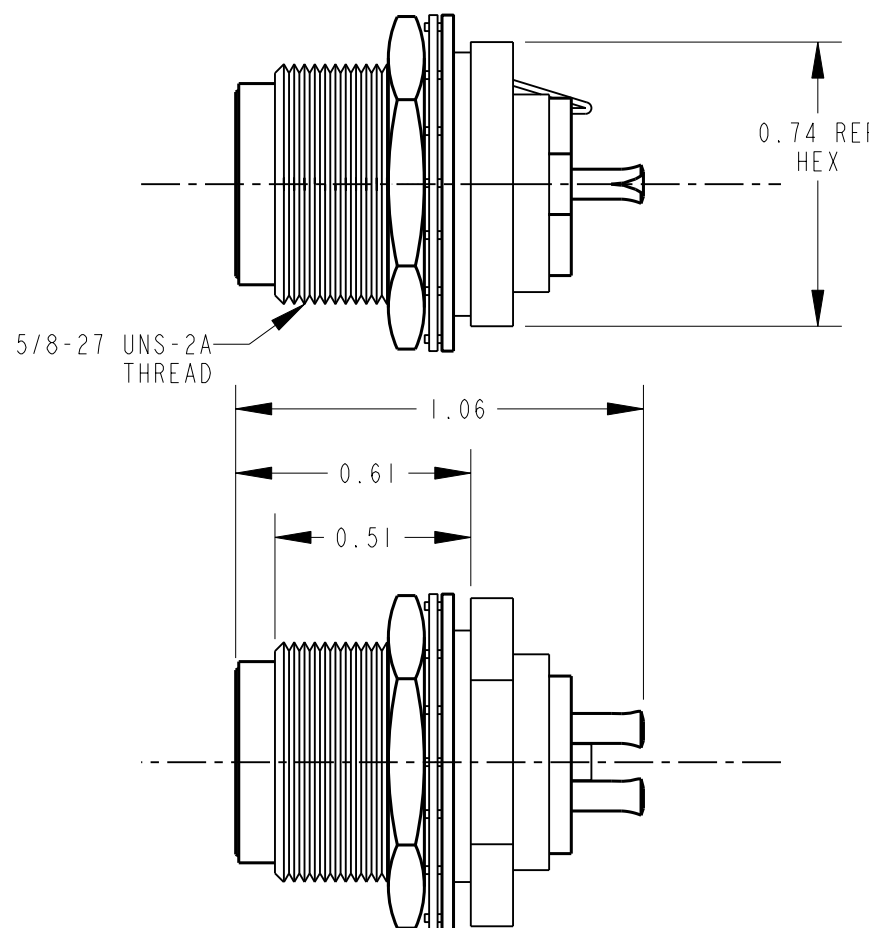
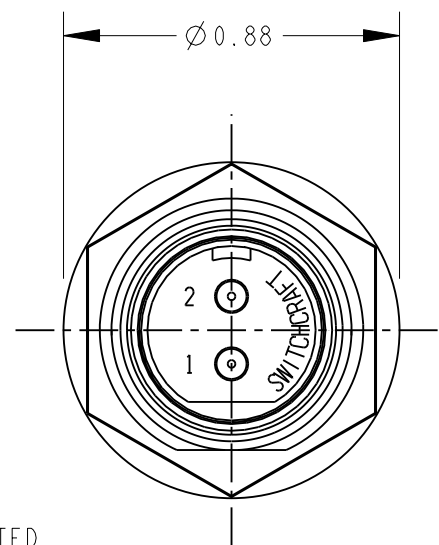
SL173MX
3PIN



SL174MX
4PIN



SL175MX
5PIN



NOTES:

- MATERIALS:
HOUSING - ZINC ALLOY, NICKEL PLATED
INSERT - THERMOPLASTIC, BLACK
CONTACT PINS - COPPER ALLOY, SILVER PLATED
LATCH - STEEL, NICKEL PLATED
HEX NUT - BRASS, NICKEL PLATED
LOCK WASHER - STEEL, NICKEL PLATED
FLAT WASHER - STEEL, NICKEL PLATED
- HOUSING, INSULATOR ASSEMBLY AND HARDWARE SHIPPED UNASSEMBLED.
- THESE PRODUCTS ARE RoHS COMPLIANT.

CUSTOMER DRAWING

REV	ECO NUMBER	DATE	BY	APVD
C	27214	10-28-13	TO	TJK
B	27066	12-12-12	TO	TJK
A	26150	9-15-06	TO	TJK
REVISIONS				

★ STAR SYMBOL DENOTES CRITICAL DIMENSION

UNLESS OTHERWISE SPECIFIED

- ALL DIMENSIONS IN INCHES
- TWO PLACE DECIMALS ±0.01
- THREE PLACE DECIMALS ±0.005
- ANGLES ±1°
- ALL DIA. CONCENTRIC WITHIN 0.005 T.I.R.
- FEATURES ON THE SAME CENTERLINE MUST BE ALIGNED WITHIN ±0.002
- REMOVE ALL BURRS

DO NOT SCALE DRAWING

THIS DRAWING DESCRIBES A DESIGN CONSIDERED PROPRIETARY IN NATURE, DEVELOPED AND MANUFACTURED BY SWITCHCRAFT INC. AND IS RELEASED ON A CONFIDENTIAL BASIS FOR IDENTIFICATION PURPOSES ONLY.									
SIZE		WIDTH		MULT		LBS/M		TEMPER	
FINISH					MATERIAL				
SPEC No.					SPEC No.				
FIRST USED ON				SCALE					
				2:1					
DATE DRAWN	BY	CHKD	APVD	Switchcraft [®]					
06-Jan-11	TO	TO	1-10-11						
NAME SLIM-LINE MALE REAR PANEL MOUNT CONNECTOR, RoHS								PART No.	
								SL17_MX SERIES	
								REV	
								C	

OUR CERTIFICATE

DiGi provide top-quality products and perfect service for customer worldwide through standardization, technological innovation and continuous improvement. DiGi through third-party certification, we stricly control the quality of products and services. Welcome your RFQ to

Email: Info@DiGi-Electronics.com



Tel: +00 852-30501935

RFQ Email: Info@DiGi-Electronics.com

DiGi is a global authorized distributor of electronic components.