

# HRSPD74-103M Datasheet

 API Delevan

DiGi Electronics Part Number	HRSPD74-103M-DG
Manufacturer	<a href="#">API Delevan Inc.</a>
Manufacturer Product Number	HRSPD74-103M
Description	FIXED IND 10UH 1.75A 50 MOHM SMD
Detailed Description	10 $\mu$ H Shielded Inductor 1.75 A 50mOhm Max Nons tandard

<https://www.DiGi-Electronics.com>



Tel: +00 852-30501935

RFQ Email: [Info@DiGi-Electronics.com](mailto:Info@DiGi-Electronics.com)

DiGi is a global authorized distributor of electronic components.

## Purchase and inquiry

Manufacturer Product Number:

HRSPD74-103M

Series:

HRSPD74

Type:

-

Inductance:

10  $\mu$ H

Current Rating (Amps):

1.75 A

DC Resistance (DCR):

50mOhm Max

Frequency - Self Resonant:

-

Operating Temperature:

-55°C ~ 130°C

Features:

-

Package / Case:

Nonstandard

Size / Dimension:

0.290" L x 0.290" W (7.37mm x 7.37mm)

Manufacturer:

API Delevan Inc.

Product Status:

Active

Material - Core:

Ferrite

Tolerance:

$\pm$ 20%

Shielding:

Shielded

Q @ Freq:

-

Ratings:

-

Inductance Frequency - Test:

100 kHz

Mounting Type:

Surface Mount

Supplier Device Package:

-

Height - Seated (Max):

0.198" (5.03mm)

## Environmental & Export classification

RoHS Status:

RoHS non-compliant

ECCN:

EAR99

Moisture Sensitivity Level (MSL):

1 (Unlimited)

HTSUS:

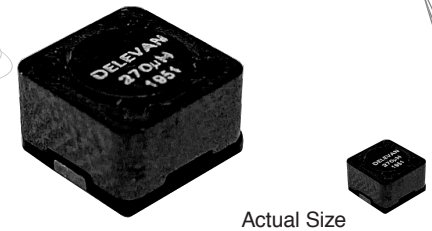
8504.50.8000





# HRSPD74

## Shielded Surface Mount Inductors High Reliability Applications



Actual Size

### Features and Benefits

Built to meet the following environmental requirements:

- High-Frequency Vibration: MIL-STD-202, Method 204 Test Condition D.
- Mechanical Shock: MIL-STD-202, Method 213 Test Condition I.
- Thermal Shock: MIL-PRF-27, -55°C to +130°C, 25 Cycles.
- Solderability: MIL-STD-202, Method 208.
- Burn-In: 96 Hours at 130°C.
- Moisture Resistance: MIL-STD-202, Method 106.
- Double Cycle SnPb Reflow Profile: MIL-PRF-83446, Section 4.6.18.
- +/-15% and +/-10% tolerances are available upon request.

### Parameters

**Current Rating at 90°C Ambient** 40°C Temp Rise Maximum

**Maximum Ambient Temperature** 90°C

**Operating Temperature Range** -55°C to +130°C

**Part Storage Temperature Range** -55°C to +125°C

**Maximum Power Dissipation at 90°C** 0.250 Watts Maximum

**Inductance** Measured at 1.0V AC at 100 kHz or 10 kHz

**Weight/Mass** 1.5 grams (0.053 ounces) Maximum

**Packaging** Tape and Reel (500 pieces max. / 13" reel)

### Core Material / Termination Finish

Ferrite Core and Shield

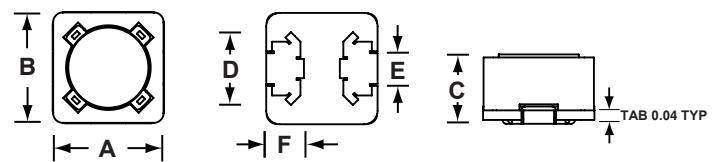
Sn 90 / Pb 10 Tinned Brass Leads

### Testing Level 1

Electrical Characteristics L, DCR

Country of Origin: Mexico

### Dimensions

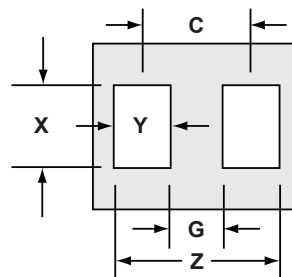


	Inches	Millimeters
A	0.290 ± 0.006	7.37 ± 0.15
B	0.290 ± 0.006	7.37 ± 0.15
C	0.198 maximum	5.03 maximum
D	0.190 ± 0.005	4.83 ± 0.13
E	0.080 ± 0.005	2.03 ± 0.13
F	0.100 ± 0.010	2.54 ± 0.25

Dimensions A and C are over terminals

### Suggested Land Pattern

	Inches	Millimeters
Z	0.346	8.79
G	0.076	1.93
X	0.215	5.46
Y	0.135	3.43
C	0.211	5.36





# HRSPD74

Shielded Surface Mount Inductors  
High Reliability Applications



Actual Size

## FERRITE CORE

Part Number Prefix	Inductance (uH)	Percentage Tolerance (+/-)	Test Freq (kHz)	DCR Max (Ohms)	Incremental (Saturation) Current (AMPS DC) 10% Decrease in Inductance (Typical)	Rated Current (Amps)
HRSPD74-122M	1.2	20	100	0.010	7.11	3.90
HRSPD74-242M	2.4	20	100	0.020	4.92	2.80
HRSPD74-352M	3.5	20	100	0.025	4.00	2.60
HRSPD74-472M	4.7	20	100	0.030	3.37	2.15
HRSPD74-682M	6.8	20	100	0.040	2.78	1.95
HRSPD74-103M	10	20	100	0.050	2.21	1.75
HRSPD74-123M	12	20	100	0.060	2.13	1.65
HRSPD74-153M	15	20	100	0.070	1.83	1.40
HRSPD74-183M	18	20	100	0.090	1.73	1.28
HRSPD74-223M	22	20	100	0.110	1.56	1.10
HRSPD74-273M	27	20	100	0.130	1.42	1.05
HRSPD74-333M	33	20	100	0.160	1.28	0.98
HRSPD74-393M	39	20	100	0.200	1.16	0.85
HRSPD74-473M	47	20	100	0.250	1.05	0.80
HRSPD74-563M	56	20	100	0.300	0.98	0.75
HRSPD74-683M	68	20	100	0.350	0.88	0.65
HRSPD74-823M	82	20	100	0.400	0.81	0.60
HRSPD74-104M	100	20	10	0.450	0.74	0.54
HRSPD74-124M	120	20	10	0.650	0.66	0.52
HRSPD74-154M	150	20	10	0.750	0.60	0.51
HRSPD74-184M	180	20	10	0.950	0.55	0.40
HRSPD74-224M	220	20	10	1.050	0.49	0.38
HRSPD74-274M	270	20	10	1.200	0.44	0.32
HRSPD74-334M	330	20	10	1.500	0.40	0.30
HRSPD74-394M	390	20	10	1.800	0.37	0.27
HRSPD74-474M	470	20	10	2.400	0.34	0.25
HRSPD74-564M	560	20	10	2.600	0.31	0.24
HRSPD74-684M	680	20	10	3.200	0.28	0.21
HRSPD74-824M	820	20	10	4.000	0.25	0.20
HRSPD74-105M	1000	20	10	5.000	0.23	0.17

**Custom Inductance Values Available – Consult factory**



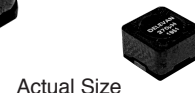
TESTING  
LEVEL 1



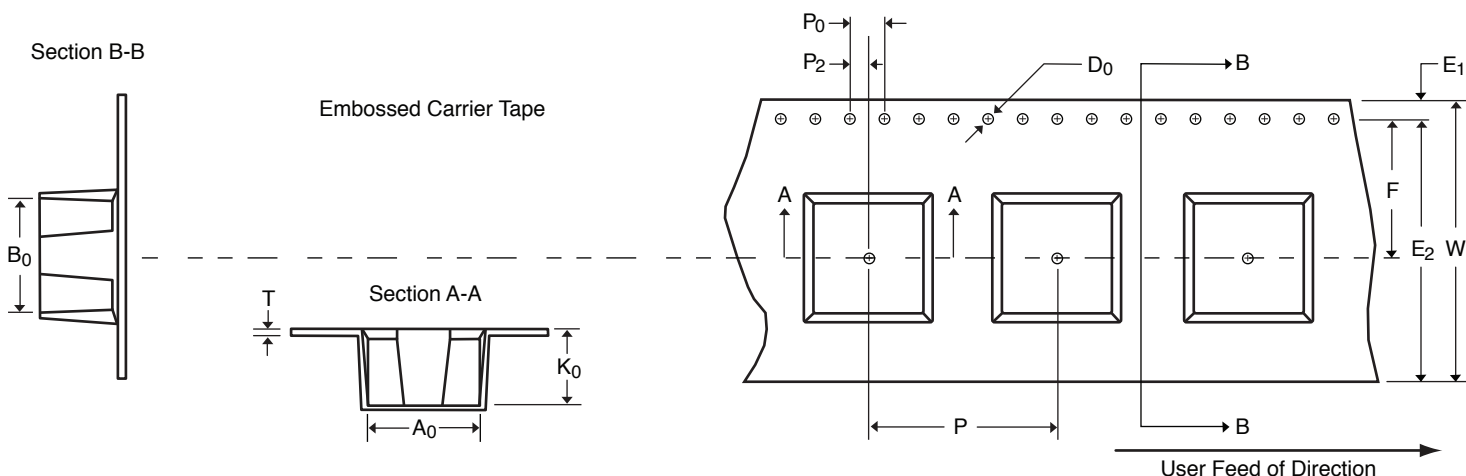
TEMPERATURE  
RANGE -55/+130

# HRSPD74

Shielded Surface Mount Inductors  
High Reliability Applications



## Tape and Reel Specifications



Tape Dimensions (mm)

P	P <sub>0</sub>	P <sub>2</sub>	D <sub>0</sub>	F	E <sub>1</sub>	E <sub>2</sub>	W	B <sub>0</sub>	T	A <sub>0</sub>	K <sub>0</sub>
12.00	4.00	2.00	1.50	7.50	1.75	14.25	16.00	7.77	0.41	7.77	5.40

## Individual Part Marking

DELEVAN, Inductance Value, Date Code (YYWWL).

Part Marking Example: HRSPD74-274M

DELEVAN  
270uH  
1951

## How To Order

HRSPD74

—

274

M

Inductor Series

Dash Number

Tolerance

L = 15%

K = 10%



## OUR CERTIFICATE

DiGi provide top-quality products and perfect service for customer worldwide through standardization, technological innovation and continuous improvement. DiGi through third-party certification, we stricly control the quality of products and services. Welcome your RFQ to

Email: [Info@DiGi-Electronics.com](mailto:Info@DiGi-Electronics.com)



Tel: +00 852-30501935

RFQ Email: [Info@DiGi-Electronics.com](mailto:Info@DiGi-Electronics.com)

DiGi is a global authorized distributor of electronic components.