

# MHQ0402PSA7N5JT000 Datasheet

[www.digi-electronics.com](http://www.digi-electronics.com)



<https://www.DiGi-Electronics.com>

DiGi Electronics Part Number	MHQ0402PSA7N5JT000-DG
Manufacturer	<a href="#">TDK Corporation</a>
Manufacturer Product Number	MHQ0402PSA7N5JT000
Description	FIXED IND 7.5NH 180MA 1.2OHM SMD
Detailed Description	7.5 nH Shielded Multilayer Inductor 180 mA 1.2Ohm Max 01005 (0402 Metric)



Tel: +00 852-30501935

RFQ Email: [Info@DiGi-Electronics.com](mailto:Info@DiGi-Electronics.com)

DiGi is a global authorized distributor of electronic components.



## Purchase and inquiry

**Manufacturer Product Number:**

MHQ0402PSA7N5JT000

**Series:**

MHQ-PSA

**Type:**

Multilayer

**Inductance:**

7.5 nH

**Current Rating (Amps):**

180 mA

**Shielding:**

Shielded

**Q @ Freq:**

10 @ 500MHz

**Ratings:**

-

**Inductance Frequency - Test:**

500 MHz

**Package / Case:**

01005 (0402 Metric)

**Height - Seated (Max):**

0.009" (0.22mm)

**Manufacturer:**

TDK Corporation

**Product Status:**

Active

**Material - Core:**

Ceramic

**Tolerance:**

±5%

**Current - Saturation (Isat):**

-

**DC Resistance (DCR):**

1.20hm Max

**Frequency - Self Resonant:**

4GHz

**Operating Temperature:**

-55°C ~ 125°C

**Mounting Type:**

Surface Mount

**Size / Dimension:**

0.016" L x 0.008" W (0.40mm x 0.20mm)

## Environmental & Export classification

**RoHS Status:**

ROHS3 Compliant

**REACH Status:**

REACH Unaffected

**HTSUS:**

8504.50.8000

**Moisture Sensitivity Level (MSL):**

1 (Unlimited)

**ECCN:**

EAR99

Inductors for high frequency circuits  
Multilayer ceramic  
MHQ-PSA series



## MHQ0402PSA type



### FEATURES

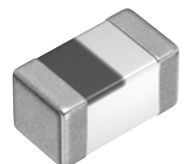
- Unique ceramic material and configuration allows for the realization of high Q characteristics.
- Multilayer method allows for a lineup with fine increments of inductance.
- Operating temperature range: -55 to +125°C

### APPLICATION

- Smart phones, tablet terminals, high frequency modules, Bluetooth, W-LAN, UWB, tuners and other high frequency circuits for the mobile communication industry
- Application guides: [Smart phones/tablets](#)

### PART NUMBER CONSTRUCTION

MHQ	0402	PSA	0N2	B	T	000
Series name	LxWxH dimensions 0.4x0.2x0.2 mm	Characteristics	Inductance (nH)	Inductance tolerance	Packaging style	Internal code



## MHQ0402PSA type

## CHARACTERISTICS SPECIFICATION TABLE

L (nH)	Tolerance	L measuring frequency (MHz)	Q min.	Q measuring frequency (MHz)	Self-resonant frequency		DC resistance		Rated current (mA)max.	Part No.
					(GHz)min.	(GHz)typ.	( $\Omega$ )max.	( $\Omega$ )typ.		
0.2	$\pm 0.1$ nH	500	—	500	10	20.00	0.15	0.02	600	<a href="#">MHQ0402PSA0N2BT000</a>
0.2	$\pm 0.2$ nH	500	—	500	10	20.00	0.15	0.02	600	<a href="#">MHQ0402PSA0N2CT000</a>
0.3	$\pm 0.1$ nH	500	—	500	10	20.00	0.15	0.04	600	<a href="#">MHQ0402PSA0N3BT000</a>
0.3	$\pm 0.2$ nH	500	—	500	10	20.00	0.15	0.04	600	<a href="#">MHQ0402PSA0N3CT000</a>
0.4	$\pm 0.1$ nH	500	—	500	10	20.00	0.15	0.04	600	<a href="#">MHQ0402PSA0N4BT000</a>
0.4	$\pm 0.2$ nH	500	—	500	10	20.00	0.15	0.04	600	<a href="#">MHQ0402PSA0N4CT000</a>
0.4	$\pm 0.3$ nH	500	—	500	10	20.00	0.15	0.04	600	<a href="#">MHQ0402PSA0N4ST000</a>
0.5	$\pm 0.1$ nH	500	—	500	10	20.00	0.15	0.04	600	<a href="#">MHQ0402PSA0N5BT000</a>
0.5	$\pm 0.2$ nH	500	—	500	10	20.00	0.15	0.04	600	<a href="#">MHQ0402PSA0N5CT000</a>
0.5	$\pm 0.3$ nH	500	—	500	10	20.00	0.15	0.04	600	<a href="#">MHQ0402PSA0N5ST000</a>
0.6	$\pm 0.1$ nH	500	—	500	10	20.00	0.15	0.05	600	<a href="#">MHQ0402PSA0N6BT000</a>
0.6	$\pm 0.2$ nH	500	—	500	10	20.00	0.15	0.05	600	<a href="#">MHQ0402PSA0N6CT000</a>
0.6	$\pm 0.3$ nH	500	—	500	10	20.00	0.15	0.05	600	<a href="#">MHQ0402PSA0N6ST000</a>
0.7	$\pm 0.1$ nH	500	—	500	10	20.00	0.15	0.06	600	<a href="#">MHQ0402PSA0N7BT000</a>
0.7	$\pm 0.2$ nH	500	—	500	10	20.00	0.15	0.06	600	<a href="#">MHQ0402PSA0N7CT000</a>
0.7	$\pm 0.3$ nH	500	—	500	10	20.00	0.15	0.06	600	<a href="#">MHQ0402PSA0N7ST000</a>
0.8	$\pm 0.1$ nH	500	—	500	10	20.00	0.15	0.06	600	<a href="#">MHQ0402PSA0N8BT000</a>
0.8	$\pm 0.2$ nH	500	—	500	10	20.00	0.15	0.06	600	<a href="#">MHQ0402PSA0N8CT000</a>
0.8	$\pm 0.3$ nH	500	—	500	10	20.00	0.15	0.06	600	<a href="#">MHQ0402PSA0N8ST000</a>
0.9	$\pm 0.1$ nH	500	—	500	10	20.00	0.15	0.08	600	<a href="#">MHQ0402PSA0N9BT000</a>
0.9	$\pm 0.2$ nH	500	—	500	10	20.00	0.15	0.08	600	<a href="#">MHQ0402PSA0N9CT000</a>
0.9	$\pm 0.3$ nH	500	—	500	10	20.00	0.15	0.08	600	<a href="#">MHQ0402PSA0N9ST000</a>
1.0	$\pm 0.1$ nH	500	10	500	10	18.84	0.15	0.07	600	<a href="#">MHQ0402PSA1N0BT000</a>
1.0	$\pm 0.2$ nH	500	10	500	10	18.84	0.15	0.07	600	<a href="#">MHQ0402PSA1N0CT000</a>
1.0	$\pm 0.3$ nH	500	10	500	10	18.84	0.15	0.07	600	<a href="#">MHQ0402PSA1N0ST000</a>
1.1	$\pm 0.1$ nH	500	10	500	10	20.00	0.15	0.11	500	<a href="#">MHQ0402PSA1N1BT000</a>
1.1	$\pm 0.2$ nH	500	10	500	10	20.00	0.15	0.11	500	<a href="#">MHQ0402PSA1N1CT000</a>
1.1	$\pm 0.3$ nH	500	10	500	10	20.00	0.15	0.11	500	<a href="#">MHQ0402PSA1N1ST000</a>
1.2	$\pm 0.1$ nH	500	10	500	10	16.72	0.20	0.15	500	<a href="#">MHQ0402PSA1N2BT000</a>
1.2	$\pm 0.2$ nH	500	10	500	10	16.72	0.20	0.15	500	<a href="#">MHQ0402PSA1N2CT000</a>
1.2	$\pm 0.3$ nH	500	10	500	10	16.72	0.20	0.15	500	<a href="#">MHQ0402PSA1N2ST000</a>
1.3	$\pm 0.1$ nH	500	10	500	10	16.61	0.20	0.13	400	<a href="#">MHQ0402PSA1N3BT000</a>
1.3	$\pm 0.2$ nH	500	10	500	10	16.61	0.20	0.13	400	<a href="#">MHQ0402PSA1N3CT000</a>
1.3	$\pm 0.3$ nH	500	10	500	10	16.61	0.20	0.13	400	<a href="#">MHQ0402PSA1N3ST000</a>
1.4	$\pm 0.1$ nH	500	10	500	10	16.22	0.30	0.18	400	<a href="#">MHQ0402PSA1N4BT000</a>
1.4	$\pm 0.2$ nH	500	10	500	10	16.22	0.30	0.18	400	<a href="#">MHQ0402PSA1N4CT000</a>
1.4	$\pm 0.3$ nH	500	10	500	10	16.22	0.30	0.18	400	<a href="#">MHQ0402PSA1N4ST000</a>
1.5	$\pm 0.1$ nH	500	10	500	10	14.74	0.20	0.15	400	<a href="#">MHQ0402PSA1N5BT000</a>
1.5	$\pm 0.2$ nH	500	10	500	10	14.74	0.20	0.15	400	<a href="#">MHQ0402PSA1N5CT000</a>
1.5	$\pm 0.3$ nH	500	10	500	10	14.74	0.20	0.15	400	<a href="#">MHQ0402PSA1N5ST000</a>

· Short bar residual inductance =0.11nH

## Measurement equipment

Measurement item	Product No.	Manufacturer
L, Q	4991A+16196D	Keysight Technologies
Self-resonant frequency	8720C	Keysight Technologies
DC resistance	4338A	Yokogawa

\* Equivalent measurement equipment may be used.

# MHQ0402PSA type

## CHARACTERISTICS SPECIFICATION TABLE

L (nH)	Tolerance	L measuring frequency (MHz)	Q min.	Q measuring frequency (MHz)	Self-resonant frequency		DC resistance		Rated current (mA)max.	Part No.
					(GHz)min.	(GHz)typ.	( $\Omega$ )max.	( $\Omega$ )typ.		
1.6	$\pm 0.1$ nH	500	10	500	10	15.27	0.30	0.15	400	<a href="#">MHQ0402PSA1N6BT000</a>
1.6	$\pm 0.2$ nH	500	10	500	10	15.27	0.30	0.15	400	<a href="#">MHQ0402PSA1N6CT000</a>
1.6	$\pm 0.3$ nH	500	10	500	10	15.27	0.30	0.15	400	<a href="#">MHQ0402PSA1N6ST000</a>
1.7	$\pm 0.1$ nH	500	10	500	10	14.22	0.40	0.21	400	<a href="#">MHQ0402PSA1N7BT000</a>
1.7	$\pm 0.2$ nH	500	10	500	10	14.22	0.40	0.21	400	<a href="#">MHQ0402PSA1N7CT000</a>
1.7	$\pm 0.3$ nH	500	10	500	10	14.22	0.40	0.21	400	<a href="#">MHQ0402PSA1N7ST000</a>
1.8	$\pm 0.1$ nH	500	10	500	8	12.32	0.40	0.14	400	<a href="#">MHQ0402PSA1N8BT000</a>
1.8	$\pm 0.2$ nH	500	10	500	8	12.32	0.40	0.14	400	<a href="#">MHQ0402PSA1N8CT000</a>
1.8	$\pm 0.3$ nH	500	10	500	8	12.32	0.40	0.14	400	<a href="#">MHQ0402PSA1N8ST000</a>
1.9	$\pm 0.1$ nH	500	10	500	8	12.69	0.40	0.14	400	<a href="#">MHQ0402PSA1N9BT000</a>
1.9	$\pm 0.2$ nH	500	10	500	8	12.69	0.40	0.14	400	<a href="#">MHQ0402PSA1N9CT000</a>
1.9	$\pm 0.3$ nH	500	10	500	8	12.69	0.40	0.14	400	<a href="#">MHQ0402PSA1N9ST000</a>
2.0	$\pm 0.1$ nH	500	10	500	8	12.76	0.40	0.17	400	<a href="#">MHQ0402PSA2N0BT000</a>
2.0	$\pm 0.2$ nH	500	10	500	8	12.76	0.40	0.17	400	<a href="#">MHQ0402PSA2N0CT000</a>
2.0	$\pm 0.3$ nH	500	10	500	8	12.76	0.40	0.17	400	<a href="#">MHQ0402PSA2N0ST000</a>
2.1	$\pm 0.1$ nH	500	10	500	8	12.32	0.40	0.23	400	<a href="#">MHQ0402PSA2N1BT000</a>
2.1	$\pm 0.2$ nH	500	10	500	8	12.32	0.40	0.23	400	<a href="#">MHQ0402PSA2N1CT000</a>
2.1	$\pm 0.3$ nH	500	10	500	8	12.32	0.40	0.23	400	<a href="#">MHQ0402PSA2N1ST000</a>
2.2	$\pm 0.1$ nH	500	10	500	8	10.66	0.40	0.16	400	<a href="#">MHQ0402PSA2N2BT000</a>
2.2	$\pm 0.2$ nH	500	10	500	8	10.66	0.40	0.16	400	<a href="#">MHQ0402PSA2N2CT000</a>
2.2	$\pm 0.3$ nH	500	10	500	8	10.66	0.40	0.16	400	<a href="#">MHQ0402PSA2N2ST000</a>
2.3	$\pm 0.1$ nH	500	10	500	8	11.33	0.40	0.23	300	<a href="#">MHQ0402PSA2N3BT000</a>
2.3	$\pm 0.2$ nH	500	10	500	8	11.33	0.40	0.23	300	<a href="#">MHQ0402PSA2N3CT000</a>
2.3	$\pm 0.3$ nH	500	10	500	8	11.33	0.40	0.23	300	<a href="#">MHQ0402PSA2N3ST000</a>
2.4	$\pm 0.1$ nH	500	10	500	8	11.53	0.40	0.25	300	<a href="#">MHQ0402PSA2N4BT000</a>
2.4	$\pm 0.2$ nH	500	10	500	8	11.53	0.40	0.25	300	<a href="#">MHQ0402PSA2N4CT000</a>
2.4	$\pm 0.3$ nH	500	10	500	8	11.53	0.40	0.25	300	<a href="#">MHQ0402PSA2N4ST000</a>
2.5	$\pm 0.1$ nH	500	10	500	8	10.92	0.40	0.23	300	<a href="#">MHQ0402PSA2N5BT000</a>
2.5	$\pm 0.2$ nH	500	10	500	8	10.92	0.40	0.23	300	<a href="#">MHQ0402PSA2N5CT000</a>
2.5	$\pm 0.3$ nH	500	10	500	8	10.92	0.40	0.23	300	<a href="#">MHQ0402PSA2N5ST000</a>
2.6	$\pm 0.1$ nH	500	10	500	8	10.60	0.40	0.22	300	<a href="#">MHQ0402PSA2N6BT000</a>
2.6	$\pm 0.2$ nH	500	10	500	8	10.60	0.40	0.22	300	<a href="#">MHQ0402PSA2N6CT000</a>
2.6	$\pm 0.3$ nH	500	10	500	8	10.60	0.40	0.22	300	<a href="#">MHQ0402PSA2N6ST000</a>
2.7	$\pm 0.1$ nH	500	10	500	8	10.73	0.40	0.24	300	<a href="#">MHQ0402PSA2N7BT000</a>
2.7	$\pm 0.2$ nH	500	10	500	8	10.73	0.40	0.24	300	<a href="#">MHQ0402PSA2N7CT000</a>
2.7	$\pm 0.3$ nH	500	10	500	8	10.73	0.40	0.24	300	<a href="#">MHQ0402PSA2N7ST000</a>
2.8	$\pm 0.1$ nH	500	10	500	8	10.41	0.40	0.23	250	<a href="#">MHQ0402PSA2N8BT000</a>
2.8	$\pm 0.2$ nH	500	10	500	8	10.41	0.40	0.23	250	<a href="#">MHQ0402PSA2N8CT000</a>
2.8	$\pm 0.3$ nH	500	10	500	8	10.41	0.40	0.23	250	<a href="#">MHQ0402PSA2N8ST000</a>
2.9	$\pm 0.1$ nH	500	10	500	8	10.49	0.60	0.32	250	<a href="#">MHQ0402PSA2N9BT000</a>
2.9	$\pm 0.2$ nH	500	10	500	8	10.49	0.60	0.32	250	<a href="#">MHQ0402PSA2N9CT000</a>
2.9	$\pm 0.3$ nH	500	10	500	8	10.49	0.60	0.32	250	<a href="#">MHQ0402PSA2N9ST000</a>

Short bar residual inductance =0.11nH

### Measurement equipment

Measurement item	Product No.	Manufacturer
L, Q	4991A+16196D	Keysight Technologies
Self-resonant frequency	8720C	Keysight Technologies
DC resistance	4338A	Yokogawa

\* Equivalent measurement equipment may be used.

## MHQ0402PSA type

## CHARACTERISTICS SPECIFICATION TABLE

L (nH)	Tolerance	L measuring frequency (MHz)	Q min.	Q measuring frequency (MHz)	Self-resonant frequency		DC resistance		Rated current (mA)max.	Part No.
					(GHz)min.	(GHz)typ.	( $\Omega$ )max.	( $\Omega$ )typ.		
3.0	$\pm 0.1$ nH	500	10	500	7	10.22	0.60	0.28	250	MHQ0402PSA3N0BT000
3.0	$\pm 0.2$ nH	500	10	500	7	10.22	0.60	0.28	250	MHQ0402PSA3N0CT000
3.0	$\pm 0.3$ nH	500	10	500	7	10.22	0.60	0.28	250	MHQ0402PSA3N0ST000
3.1	$\pm 0.1$ nH	500	10	500	7	10.17	0.65	0.34	250	MHQ0402PSA3N1BT000
3.1	$\pm 0.2$ nH	500	10	500	7	10.17	0.65	0.34	250	MHQ0402PSA3N1ST000
3.1	$\pm 0.3$ nH	500	10	500	7	10.17	0.65	0.34	250	MHQ0402PSA3N1CT000
3.2	$\pm 0.1$ nH	500	10	500	7	9.99	0.65	0.33	250	MHQ0402PSA3N2BT000
3.2	$\pm 0.2$ nH	500	10	500	7	9.99	0.65	0.33	250	MHQ0402PSA3N2CT000
3.2	$\pm 0.3$ nH	500	10	500	7	9.99	0.65	0.33	250	MHQ0402PSA3N2ST000
3.3	$\pm 0.1$ nH	500	10	500	7	9.46	0.65	0.30	250	MHQ0402PSA3N3BT000
3.3	$\pm 0.2$ nH	500	10	500	7	9.46	0.65	0.30	250	MHQ0402PSA3N3CT000
3.3	$\pm 0.3$ nH	500	10	500	7	9.46	0.65	0.30	250	MHQ0402PSA3N3ST000
3.4	$\pm 0.1$ nH	500	10	500	6	8.91	0.65	0.22	200	MHQ0402PSA3N4BT000
3.4	$\pm 0.2$ nH	500	10	500	6	8.91	0.65	0.22	200	MHQ0402PSA3N4CT000
3.4	$\pm 0.3$ nH	500	10	500	6	8.91	0.65	0.22	200	MHQ0402PSA3N4ST000
3.5	$\pm 0.1$ nH	500	10	500	6	9.18	0.65	0.27	200	MHQ0402PSA3N5BT000
3.5	$\pm 0.2$ nH	500	10	500	6	9.18	0.65	0.27	200	MHQ0402PSA3N5CT000
3.5	$\pm 0.3$ nH	500	10	500	6	9.18	0.65	0.27	200	MHQ0402PSA3N5ST000
3.6	$\pm 0.1$ nH	500	10	500	6	8.85	0.65	0.29	200	MHQ0402PSA3N6BT000
3.6	$\pm 0.2$ nH	500	10	500	6	8.85	0.65	0.29	200	MHQ0402PSA3N6CT000
3.6	$\pm 0.3$ nH	500	10	500	6	8.85	0.65	0.29	200	MHQ0402PSA3N6ST000
3.7	$\pm 0.1$ nH	500	10	500	6	9.07	0.75	0.31	200	MHQ0402PSA3N7BT000
3.7	$\pm 0.2$ nH	500	10	500	6	9.07	0.75	0.31	200	MHQ0402PSA3N7CT000
3.7	$\pm 0.3$ nH	500	10	500	6	9.07	0.75	0.31	200	MHQ0402PSA3N7ST000
3.8	$\pm 0.1$ nH	500	10	500	6	9.02	0.75	0.31	200	MHQ0402PSA3N8BT000
3.8	$\pm 0.2$ nH	500	10	500	6	9.02	0.75	0.31	200	MHQ0402PSA3N8CT000
3.8	$\pm 0.3$ nH	500	10	500	6	9.02	0.75	0.31	200	MHQ0402PSA3N8ST000
3.9	$\pm 0.1$ nH	500	10	500	6	8.91	0.75	0.32	200	MHQ0402PSA3N9BT000
3.9	$\pm 0.2$ nH	500	10	500	6	8.91	0.75	0.32	200	MHQ0402PSA3N9CT000
3.9	$\pm 0.3$ nH	500	10	500	6	8.91	0.75	0.32	200	MHQ0402PSA3N9ST000
4.0	$\pm 0.1$ nH	500	10	500	6	8.80	0.80	0.40	200	MHQ0402PSA4N0BT000
4.0	$\pm 0.2$ nH	500	10	500	6	8.80	0.80	0.40	200	MHQ0402PSA4N0CT000
4.0	$\pm 0.3$ nH	500	10	500	6	8.80	0.80	0.40	200	MHQ0402PSA4N0ST000
4.1	$\pm 0.1$ nH	500	10	500	6	8.65	0.80	0.40	200	MHQ0402PSA4N1BT000
4.1	$\pm 0.2$ nH	500	10	500	6	8.65	0.80	0.40	200	MHQ0402PSA4N1CT000
4.1	$\pm 0.3$ nH	500	10	500	6	8.65	0.80	0.40	200	MHQ0402PSA4N1ST000
4.2	$\pm 0.1$ nH	500	10	500	6	8.60	0.80	0.40	200	MHQ0402PSA4N2BT000
4.2	$\pm 0.2$ nH	500	10	500	6	8.60	0.80	0.40	200	MHQ0402PSA4N2CT000
4.2	$\pm 0.3$ nH	500	10	500	6	8.60	0.80	0.40	200	MHQ0402PSA4N2ST000
4.3	$\pm 3\%$	500	10	500	6	8.14	0.80	0.40	200	MHQ0402PSA4N3HT000
4.3	$\pm 5\%$	500	10	500	6	8.14	0.80	0.40	200	MHQ0402PSA4N3JT000
4.7	$\pm 3\%$	500	10	500	5	8.14	0.80	0.38	200	MHQ0402PSA4N7HT000
4.7	$\pm 5\%$	500	10	500	5	8.14	0.80	0.38	200	MHQ0402PSA4N7JT000

Short bar residual inductance =0.11nH

## Measurement equipment

Measurement item	Product No.	Manufacturer
L, Q	4991A+16196D	Keysight Technologies
Self-resonant frequency	8720C	Keysight Technologies
DC resistance	4338A	Yokogawa

\* Equivalent measurement equipment may be used.



# MHQ0402PSA type

## CHARACTERISTICS SPECIFICATION TABLE

L (nH)	Tolerance	L measuring frequency (MHz)	Q min.	Q measuring frequency (MHz)	Self-resonant frequency		DC resistance		Rated current (mA)max.	Part No.
					(GHz)min.	(GHz)typ.	( $\Omega$ )max.	( $\Omega$ )typ.		
5.1	±3%	500	10	500	5	7.76	0.80	0.47	200	<a href="#">MHQ0402PSA5N1HT000</a>
5.1	±5%	500	10	500	5	7.76	0.80	0.47	200	<a href="#">MHQ0402PSA5N1JT000</a>
5.6	±3%	500	10	500	5	7.49	0.80	0.44	200	<a href="#">MHQ0402PSA5N6HT000</a>
5.6	±5%	500	10	500	5	7.49	0.80	0.44	200	<a href="#">MHQ0402PSA5N6JT000</a>
6.2	±3%	500	10	500	5	6.89	1.00	0.58	200	<a href="#">MHQ0402PSA6N2HT000</a>
6.2	±5%	500	10	500	5	6.89	1.00	0.58	200	<a href="#">MHQ0402PSA6N2JT000</a>
6.8	±3%	500	10	500	5	6.93	1.00	0.60	200	<a href="#">MHQ0402PSA6N8HT000</a>
6.8	±5%	500	10	500	5	6.93	1.00	0.60	200	<a href="#">MHQ0402PSA6N8JT000</a>
7.5	±3%	500	10	500	4	6.29	1.20	0.66	180	<a href="#">MHQ0402PSA7N5HT000</a>
7.5	±5%	500	10	500	4	6.29	1.20	0.66	180	<a href="#">MHQ0402PSA7N5JT000</a>
8.2	±3%	500	10	500	4	6.14	1.20	0.66	180	<a href="#">MHQ0402PSA8N2HT000</a>
8.2	±5%	500	10	500	4	6.14	1.20	0.66	180	<a href="#">MHQ0402PSA8N2JT000</a>
9.1	±3%	500	8	500	3.5	5.5	1.50	1.15	130	<a href="#">MHQ0402PSA9N1HT000</a>
9.1	±5%	500	8	500	3.5	5.5	1.50	1.15	130	<a href="#">MHQ0402PSA9N1JT000</a>
10.0	±3%	500	8	500	3.5	5.1	1.60	1.35	130	<a href="#">MHQ0402PSA10NHT000</a>
10.0	±5%	500	8	500	3.5	5.1	1.60	1.35	130	<a href="#">MHQ0402PSA10NJT000</a>
11.0	±3%	500	8	500	3.0	5.0	1.70	1.28	130	<a href="#">MHQ0402PSA11NHT000</a>
11.0	±5%	500	8	500	3.0	5.0	1.70	1.28	130	<a href="#">MHQ0402PSA11NJT000</a>
12.0	±3%	500	8	500	2.7	4.8	1.90	1.35	130	<a href="#">MHQ0402PSA12NHT000</a>
12.0	±5%	500	8	500	2.7	4.8	1.90	1.35	130	<a href="#">MHQ0402PSA12NJT000</a>
13.0	±3%	500	8	500	2.7	4.4	2.00	1.53	120	<a href="#">MHQ0402PSA13NHT000</a>
13.0	±5%	500	8	500	2.7	4.4	2.00	1.53	120	<a href="#">MHQ0402PSA13NJT000</a>
15.0	±3%	500	8	500	2.7	3.8	2.10	1.68	120	<a href="#">MHQ0402PSA15NHT000</a>
15.0	±5%	500	8	500	2.7	3.8	2.10	1.68	120	<a href="#">MHQ0402PSA15NJT000</a>
16.0	±3%	500	8	500	2.5	3.8	2.10	1.70	120	<a href="#">MHQ0402PSA16NHT000</a>
16.0	±5%	500	8	500	2.5	3.8	2.10	1.70	120	<a href="#">MHQ0402PSA16NJT000</a>
18.0	±3%	500	8	500	2.5	3.8	2.20	1.82	110	<a href="#">MHQ0402PSA18NHT000</a>
18.0	±5%	500	8	500	2.5	3.8	2.20	1.82	110	<a href="#">MHQ0402PSA18NJT000</a>
20.0	±3%	500	8	500	2.4	3.5	2.40	1.91	110	<a href="#">MHQ0402PSA20NHT000</a>
20.0	±5%	500	8	500	2.4	3.5	2.40	1.91	110	<a href="#">MHQ0402PSA20NJT000</a>
22.0	±3%	500	8	500	2.3	3.6	2.50	1.97	110	<a href="#">MHQ0402PSA22NHT000</a>
22.0	±5%	500	8	500	2.3	3.6	2.50	1.97	110	<a href="#">MHQ0402PSA22NJT000</a>

· Short bar residual inductance =0.11nH

### Measurement equipment

Measurement item	Product No.	Manufacturer
L, Q	4991A+16196D	Keysight Technologies
Self-resonant frequency	8720C	Keysight Technologies
DC resistance	4338A	Yokogawa

\* Equivalent measurement equipment may be used.

# MHQ0402PSA type

## L, Q FREQUENCY CHARACTERISTICS TABLE

L(nH)typ.					Q typ.					Part No.
500MHz	800MHz	1.8GHz	2.0GHz	2.4GHz	500MHz	800MHz	1.8GHz	2.0GHz	2.4GHz	
0.2	0.2	0.2	0.2	0.2	28	40	62	65	70	<a href="#">MHQ0402PSA0N2BT000</a>
0.2	0.2	0.2	0.2	0.2	28	40	62	65	70	<a href="#">MHQ0402PSA0N2CT000</a>
0.3	0.3	0.3	0.3	0.3	29	37	71	77	91	<a href="#">MHQ0402PSA0N3BT000</a>
0.3	0.3	0.3	0.3	0.3	29	37	71	77	91	<a href="#">MHQ0402PSA0N3CT000</a>
0.4	0.4	0.4	0.4	0.4	18	23	41	44	51	<a href="#">MHQ0402PSA0N4BT000</a>
0.4	0.4	0.4	0.4	0.4	18	23	41	44	51	<a href="#">MHQ0402PSA0N4CT000</a>
0.4	0.4	0.4	0.4	0.4	18	23	41	44	51	<a href="#">MHQ0402PSA0N4ST000</a>
0.5	0.5	0.5	0.5	0.5	18	23	40	43	49	<a href="#">MHQ0402PSA0N5BT000</a>
0.5	0.5	0.5	0.5	0.5	18	23	40	43	49	<a href="#">MHQ0402PSA0N5CT000</a>
0.5	0.5	0.5	0.5	0.5	18	23	40	43	49	<a href="#">MHQ0402PSA0N5ST000</a>
0.6	0.6	0.6	0.6	0.6	16	21	35	38	44	<a href="#">MHQ0402PSA0N6BT000</a>
0.6	0.6	0.6	0.6	0.6	16	21	35	38	44	<a href="#">MHQ0402PSA0N6CT000</a>
0.6	0.6	0.6	0.6	0.6	16	21	35	38	44	<a href="#">MHQ0402PSA0N6ST000</a>
0.7	0.7	0.7	0.7	0.7	17	21	35	38	43	<a href="#">MHQ0402PSA0N7BT000</a>
0.7	0.7	0.7	0.7	0.7	17	21	35	38	43	<a href="#">MHQ0402PSA0N7CT000</a>
0.7	0.7	0.7	0.7	0.7	17	21	35	38	43	<a href="#">MHQ0402PSA0N7ST000</a>
0.8	0.8	0.8	0.8	0.8	17	21	35	38	43	<a href="#">MHQ0402PSA0N8BT000</a>
0.8	0.8	0.8	0.8	0.8	17	21	35	38	43	<a href="#">MHQ0402PSA0N8CT000</a>
0.8	0.8	0.8	0.8	0.8	17	21	35	38	43	<a href="#">MHQ0402PSA0N8ST000</a>
0.9	0.9	0.9	0.9	0.9	17	21	35	38	43	<a href="#">MHQ0402PSA0N9BT000</a>
0.9	0.9	0.9	0.9	0.9	17	21	35	38	43	<a href="#">MHQ0402PSA0N9CT000</a>
0.9	0.9	0.9	0.9	0.9	17	21	35	38	43	<a href="#">MHQ0402PSA0N9ST000</a>
1.0	1.0	1.0	1.0	1.0	16	20	31	33	37	<a href="#">MHQ0402PSA1N0BT000</a>
1.0	1.0	1.0	1.0	1.0	16	20	31	33	37	<a href="#">MHQ0402PSA1N0CT000</a>
1.0	1.0	1.0	1.0	1.0	16	20	31	33	37	<a href="#">MHQ0402PSA1N0ST000</a>
1.1	1.1	1.1	1.1	1.1	14	18	31	33	37	<a href="#">MHQ0402PSA1N1BT000</a>
1.1	1.1	1.1	1.1	1.1	14	18	31	33	37	<a href="#">MHQ0402PSA1N1CT000</a>
1.1	1.1	1.1	1.1	1.1	14	18	31	33	37	<a href="#">MHQ0402PSA1N1ST000</a>
1.2	1.2	1.2	1.2	1.2	14	18	31	33	37	<a href="#">MHQ0402PSA1N2BT000</a>
1.2	1.2	1.2	1.2	1.2	14	18	31	33	37	<a href="#">MHQ0402PSA1N2CT000</a>
1.2	1.2	1.2	1.2	1.2	14	18	31	33	37	<a href="#">MHQ0402PSA1N2ST000</a>
1.3	1.3	1.3	1.3	1.3	14	18	29	31	35	<a href="#">MHQ0402PSA1N3BT000</a>
1.3	1.3	1.3	1.3	1.3	14	18	29	31	35	<a href="#">MHQ0402PSA1N3CT000</a>
1.3	1.3	1.3	1.3	1.3	14	18	29	31	35	<a href="#">MHQ0402PSA1N3ST000</a>
1.4	1.4	1.4	1.4	1.4	14	18	30	32	36	<a href="#">MHQ0402PSA1N4BT000</a>
1.4	1.4	1.4	1.4	1.4	14	18	30	32	36	<a href="#">MHQ0402PSA1N4CT000</a>
1.4	1.4	1.4	1.4	1.4	14	18	30	32	36	<a href="#">MHQ0402PSA1N4ST000</a>
1.5	1.5	1.5	1.5	1.5	15	19	30	31	35	<a href="#">MHQ0402PSA1N5BT000</a>
1.5	1.5	1.5	1.5	1.5	15	19	30	31	35	<a href="#">MHQ0402PSA1N5CT000</a>
1.5	1.5	1.5	1.5	1.5	15	19	30	31	35	<a href="#">MHQ0402PSA1N5ST000</a>

### Measurement equipment

Measurement item	Product No.	Manufacturer
L, Q	4991A+16196D	Keysight Technologies
Self-resonant frequency	8720C	Keysight Technologies
DC resistance	4338A	Yokogawa

\* Equivalent measurement equipment may be used.



# MHQ0402PSA type

## L, Q FREQUENCY CHARACTERISTICS TABLE

L(nH)typ.		Q typ.					Part No.			
500MHz	800MHz	1.8GHz	2.0GHz	2.4GHz	500MHz	800MHz		1.8GHz	2.0GHz	2.4GHz
1.6	1.6	1.6	1.6	1.6	14	18	30	32	36	<a href="#">MHQ0402PSA1N6BT000</a>
1.6	1.6	1.6	1.6	1.6	14	18	30	32	36	<a href="#">MHQ0402PSA1N6CT000</a>
1.6	1.6	1.6	1.6	1.6	14	18	30	32	36	<a href="#">MHQ0402PSA1N6ST000</a>
1.7	1.7	1.7	1.7	1.7	15	19	31	33	37	<a href="#">MHQ0402PSA1N7BT000</a>
1.7	1.7	1.7	1.7	1.7	15	19	31	33	37	<a href="#">MHQ0402PSA1N7CT000</a>
1.7	1.7	1.7	1.7	1.7	15	19	31	33	37	<a href="#">MHQ0402PSA1N7ST000</a>
1.8	1.8	1.8	1.8	1.8	14	18	30	31	35	<a href="#">MHQ0402PSA1N8BT000</a>
1.8	1.8	1.8	1.8	1.8	14	18	30	31	35	<a href="#">MHQ0402PSA1N8CT000</a>
1.8	1.8	1.8	1.8	1.8	14	18	30	31	35	<a href="#">MHQ0402PSA1N8ST000</a>
1.9	1.9	1.9	1.9	1.9	14	18	29	31	35	<a href="#">MHQ0402PSA1N9BT000</a>
1.9	1.9	1.9	1.9	1.9	14	18	29	31	35	<a href="#">MHQ0402PSA1N9CT000</a>
1.9	1.9	1.9	1.9	1.9	14	18	29	31	35	<a href="#">MHQ0402PSA1N9ST000</a>
2.0	2.0	1.9	1.9	1.9	14	18	30	31	35	<a href="#">MHQ0402PSA2N0BT000</a>
2.0	2.0	1.9	1.9	1.9	14	18	30	31	35	<a href="#">MHQ0402PSA2N0CT000</a>
2.0	2.0	1.9	1.9	1.9	14	18	30	31	35	<a href="#">MHQ0402PSA2N0ST000</a>
2.1	2.1	2.1	2.1	2.1	13	17	29	30	34	<a href="#">MHQ0402PSA2N1BT000</a>
2.1	2.1	2.1	2.1	2.1	13	17	29	30	34	<a href="#">MHQ0402PSA2N1CT000</a>
2.1	2.1	2.1	2.1	2.1	13	17	29	30	34	<a href="#">MHQ0402PSA2N1ST000</a>
2.2	2.2	2.2	2.2	2.2	14	18	29	30	34	<a href="#">MHQ0402PSA2N2BT000</a>
2.2	2.2	2.2	2.2	2.2	14	18	29	30	34	<a href="#">MHQ0402PSA2N2CT000</a>
2.2	2.2	2.2	2.2	2.2	14	18	29	30	34	<a href="#">MHQ0402PSA2N2ST000</a>
2.3	2.3	2.3	2.3	2.3	13	17	29	31	35	<a href="#">MHQ0402PSA2N3BT000</a>
2.3	2.3	2.3	2.3	2.3	13	17	29	31	35	<a href="#">MHQ0402PSA2N3CT000</a>
2.3	2.3	2.3	2.3	2.3	13	17	29	31	35	<a href="#">MHQ0402PSA2N3ST000</a>
2.4	2.4	2.4	2.4	2.4	14	18	29	30	33	<a href="#">MHQ0402PSA2N4BT000</a>
2.4	2.4	2.4	2.4	2.4	14	18	29	30	33	<a href="#">MHQ0402PSA2N4CT000</a>
2.4	2.4	2.4	2.4	2.4	14	18	29	30	33	<a href="#">MHQ0402PSA2N4ST000</a>
2.5	2.5	2.5	2.5	2.5	14	19	31	33	37	<a href="#">MHQ0402PSA2N5BT000</a>
2.5	2.5	2.5	2.5	2.5	14	19	31	33	37	<a href="#">MHQ0402PSA2N5CT000</a>
2.5	2.5	2.5	2.5	2.5	14	19	31	33	37	<a href="#">MHQ0402PSA2N5ST000</a>
2.6	2.6	2.6	2.6	2.6	14	18	30	32	36	<a href="#">MHQ0402PSA2N6BT000</a>
2.6	2.6	2.6	2.6	2.6	14	18	30	32	36	<a href="#">MHQ0402PSA2N6CT000</a>
2.6	2.6	2.6	2.6	2.6	14	18	30	32	36	<a href="#">MHQ0402PSA2N6ST000</a>
2.7	2.7	2.7	2.7	2.7	14	18	29	31	35	<a href="#">MHQ0402PSA2N7BT000</a>
2.7	2.7	2.7	2.7	2.7	14	18	29	31	35	<a href="#">MHQ0402PSA2N7CT000</a>
2.7	2.7	2.7	2.7	2.7	14	18	29	31	35	<a href="#">MHQ0402PSA2N7ST000</a>
2.8	2.8	2.8	2.8	2.8	14	18	29	31	35	<a href="#">MHQ0402PSA2N8BT000</a>
2.8	2.8	2.8	2.8	2.8	14	18	29	31	35	<a href="#">MHQ0402PSA2N8CT000</a>
2.8	2.8	2.8	2.8	2.8	14	18	29	31	35	<a href="#">MHQ0402PSA2N8ST000</a>
2.9	2.9	2.9	2.9	2.9	14	19	31	33	37	<a href="#">MHQ0402PSA2N9BT000</a>
2.9	2.9	2.9	2.9	2.9	14	19	31	33	37	<a href="#">MHQ0402PSA2N9CT000</a>
2.9	2.9	2.9	2.9	2.9	14	19	31	33	37	<a href="#">MHQ0402PSA2N9ST000</a>

### Measurement equipment

Measurement item	Product No.	Manufacturer
L, Q	4991A+16196D	Keysight Technologies
Self-resonant frequency	8720C	Keysight Technologies
DC resistance	4338A	Yokogawa

\* Equivalent measurement equipment may be used.

# MHQ0402PSA type

## L, Q FREQUENCY CHARACTERISTICS TABLE

L(nH)typ.		Q typ.					Part No.				
500MHz	800MHz	1.8GHz	2.0GHz	2.4GHz	500MHz	800MHz	1.8GHz	2.0GHz	2.4GHz		
3.0	3.0	3.0	3.0	3.0	14	18	31	33	37	<a href="#">MHQ0402PSA3N0BT000</a>	
3.0	3.0	3.0	3.0	3.0	14	18	31	33	37	<a href="#">MHQ0402PSA3N0CT000</a>	
3.0	3.0	3.0	3.0	3.0	14	18	31	33	37	<a href="#">MHQ0402PSA3N0ST000</a>	
3.1	3.1	3.1	3.1	3.1	14	18	30	32	36	<a href="#">MHQ0402PSA3N1BT000</a>	
3.1	3.1	3.1	3.1	3.1	14	18	30	32	36	<a href="#">MHQ0402PSA3N1CT000</a>	
3.1	3.1	3.1	3.1	3.1	14	18	30	32	36	<a href="#">MHQ0402PSA3N1ST000</a>	
3.2	3.2	3.2	3.2	3.2	14	18	29	31	34	<a href="#">MHQ0402PSA3N2BT000</a>	
3.2	3.2	3.2	3.2	3.2	14	18	29	31	34	<a href="#">MHQ0402PSA3N2CT000</a>	
3.2	3.2	3.2	3.2	3.2	14	18	29	31	34	<a href="#">MHQ0402PSA3N2ST000</a>	
3.3	3.3	3.3	3.3	3.3	14	18	30	32	35	<a href="#">MHQ0402PSA3N3BT000</a>	
3.3	3.3	3.3	3.3	3.3	14	18	30	32	35	<a href="#">MHQ0402PSA3N3CT000</a>	
3.3	3.3	3.3	3.3	3.3	14	18	30	32	35	<a href="#">MHQ0402PSA3N3ST000</a>	
3.4	3.4	3.4	3.4	3.4	14	18	30	32	36	<a href="#">MHQ0402PSA3N4BT000</a>	
3.4	3.4	3.4	3.4	3.4	14	18	30	32	36	<a href="#">MHQ0402PSA3N4CT000</a>	
3.4	3.4	3.4	3.4	3.4	14	18	30	32	36	<a href="#">MHQ0402PSA3N4ST000</a>	
3.5	3.5	3.4	3.4	3.5	15	18	29	31	34	<a href="#">MHQ0402PSA3N5BT000</a>	
3.5	3.5	3.4	3.4	3.5	15	18	29	31	34	<a href="#">MHQ0402PSA3N5CT000</a>	
3.5	3.5	3.4	3.4	3.5	15	18	29	31	34	<a href="#">MHQ0402PSA3N5ST000</a>	
3.6	3.6	3.6	3.6	3.6	14	18	29	31	35	<a href="#">MHQ0402PSA3N6BT000</a>	
3.6	3.6	3.6	3.6	3.6	14	18	29	31	35	<a href="#">MHQ0402PSA3N6CT000</a>	
3.6	3.6	3.6	3.6	3.6	14	18	29	31	35	<a href="#">MHQ0402PSA3N6ST000</a>	
3.7	3.7	3.7	3.7	3.7	14	18	30	31	35	<a href="#">MHQ0402PSA3N7BT000</a>	
3.7	3.7	3.7	3.7	3.7	14	18	30	31	35	<a href="#">MHQ0402PSA3N7CT000</a>	
3.7	3.7	3.7	3.7	3.7	14	18	30	31	35	<a href="#">MHQ0402PSA3N7ST000</a>	
3.8	3.8	3.8	3.8	3.8	15	19	31	33	37	<a href="#">MHQ0402PSA3N8BT000</a>	
3.8	3.8	3.8	3.8	3.8	15	19	31	33	37	<a href="#">MHQ0402PSA3N8CT000</a>	
3.8	3.8	3.8	3.8	3.8	15	19	31	33	37	<a href="#">MHQ0402PSA3N8ST000</a>	
3.9	3.9	3.9	3.9	4.0	14	19	31	33	36	<a href="#">MHQ0402PSA3N9BT000</a>	
3.9	3.9	3.9	3.9	4.0	14	19	31	33	36	<a href="#">MHQ0402PSA3N9CT000</a>	
3.9	3.9	3.9	3.9	4.0	14	19	31	33	36	<a href="#">MHQ0402PSA3N9ST000</a>	
4.0	4.0	4.0	4.0	4.1	14	19	30	32	36	<a href="#">MHQ0402PSA4N0BT000</a>	
4.0	4.0	4.0	4.0	4.1	14	19	30	32	36	<a href="#">MHQ0402PSA4N0CT000</a>	
4.0	4.0	4.0	4.0	4.1	14	19	30	32	36	<a href="#">MHQ0402PSA4N0ST000</a>	
4.1	4.1	4.1	4.1	4.1	14	19	31	32	36	<a href="#">MHQ0402PSA4N1BT000</a>	
4.1	4.1	4.1	4.1	4.1	14	19	31	32	36	<a href="#">MHQ0402PSA4N1CT000</a>	
4.1	4.1	4.1	4.1	4.1	14	19	31	32	36	<a href="#">MHQ0402PSA4N1ST000</a>	
4.2	4.2	4.2	4.2	4.3	14	18	30	32	36	<a href="#">MHQ0402PSA4N2BT000</a>	
4.2	4.2	4.2	4.2	4.3	14	18	30	32	36	<a href="#">MHQ0402PSA4N2CT000</a>	
4.2	4.2	4.2	4.2	4.3	14	18	30	32	36	<a href="#">MHQ0402PSA4N2ST000</a>	
4.3	4.3	4.3	4.3	4.3	14	19	30	32	35	<a href="#">MHQ0402PSA4N3HT000</a>	
4.3	4.3	4.3	4.3	4.3	14	19	30	32	35	<a href="#">MHQ0402PSA4N3JT000</a>	
4.7	4.7	4.7	4.7	4.8	14	18	29	31	34	<a href="#">MHQ0402PSA4N7HT000</a>	
4.7	4.7	4.7	4.7	4.8	14	18	29	31	34	<a href="#">MHQ0402PSA4N7JT000</a>	

### Measurement equipment

Measurement item	Product No.	Manufacturer
L, Q	4991A+16196D	Keysight Technologies
Self-resonant frequency	8720C	Keysight Technologies
DC resistance	4338A	Yokogawa

\* Equivalent measurement equipment may be used.

## MHQ0402PSA type

## L, Q FREQUENCY CHARACTERISTICS TABLE

L(nH)typ.					Q typ.					Part No.
500MHz	800MHz	1.8GHz	2.0GHz	2.4GHz	500MHz	800MHz	1.8GHz	2.0GHz	2.4GHz	
5.1	5.1	5.1	5.2	5.3	14	18	29	31	34	<a href="#">MHQ0402PSA5N1HT000</a>
5.1	5.1	5.1	5.2	5.3	14	18	29	31	34	<a href="#">MHQ0402PSA5N1JT000</a>
5.6	5.6	5.6	5.7	5.8	14	19	30	31	35	<a href="#">MHQ0402PSA5N6HT000</a>
5.6	5.6	5.6	5.7	5.8	14	19	30	31	35	<a href="#">MHQ0402PSA5N6JT000</a>
6.2	6.1	6.2	6.3	6.4	15	19	29	31	34	<a href="#">MHQ0402PSA6N2HT000</a>
6.2	6.1	6.2	6.3	6.4	15	19	29	31	34	<a href="#">MHQ0402PSA6N2JT000</a>
6.8	6.8	6.9	7.0	7.1	15	19	30	32	35	<a href="#">MHQ0402PSA6N8HT000</a>
6.8	6.8	6.9	7.0	7.1	15	19	30	32	35	<a href="#">MHQ0402PSA6N8JT000</a>
7.5	7.5	7.7	7.8	8.0	14	19	29	30	33	<a href="#">MHQ0402PSA7N5HT000</a>
7.5	7.5	7.7	7.8	8.0	14	19	29	30	33	<a href="#">MHQ0402PSA7N5JT000</a>
8.2	8.2	8.4	8.5	8.8	15	19	29	30	33	<a href="#">MHQ0402PSA8N2HT000</a>
8.2	8.2	8.4	8.5	8.8	15	19	29	30	33	<a href="#">MHQ0402PSA8N2JT000</a>
9.1	9.0	9.2	9.3	9.6	14	18	28	29	31	<a href="#">MHQ0402PSA9N1HT000</a>
9.1	9.0	9.2	9.3	9.6	14	18	28	29	31	<a href="#">MHQ0402PSA9N1JT000</a>
10.0	9.9	10.3	10.4	10.8	12	15	24	25	28	<a href="#">MHQ0402PSA10NHT000</a>
10.0	9.9	10.3	10.4	10.8	12	15	24	25	28	<a href="#">MHQ0402PSA10NJT000</a>
11.0	10.9	11.3	11.5	12.0	13	16	23	25	26	<a href="#">MHQ0402PSA11NHT000</a>
11.0	10.9	11.3	11.5	12.0	13	16	23	25	26	<a href="#">MHQ0402PSA11NJT000</a>
12.0	11.9	12.4	12.6	13.2	12	15	21	22	24	<a href="#">MHQ0402PSA12NHT000</a>
12.0	11.9	12.4	12.6	13.2	12	15	21	22	24	<a href="#">MHQ0402PSA12NJT000</a>
13.0	12.9	13.6	14.0	14.8	12	15	21	22	23	<a href="#">MHQ0402PSA13NHT000</a>
13.0	12.9	13.6	14.0	14.8	12	15	21	22	23	<a href="#">MHQ0402PSA13NJT000</a>
15.0	14.9	15.9	16.3	17.3	12	15	22	23	24	<a href="#">MHQ0402PSA15NHT000</a>
15.0	14.9	15.9	16.3	17.3	12	15	22	23	24	<a href="#">MHQ0402PSA15NJT000</a>
16.0	15.9	16.9	17.4	18.6	12	15	20	21	22	<a href="#">MHQ0402PSA16NHT000</a>
16.0	15.9	16.9	17.4	18.6	12	15	20	21	22	<a href="#">MHQ0402PSA16NJT000</a>
18.0	18.0	19.7	20.5	22.4	12	15	20	21	20	<a href="#">MHQ0402PSA18NHT000</a>
18.0	18.0	19.7	20.5	22.4	12	15	20	21	20	<a href="#">MHQ0402PSA18NJT000</a>
20.0	20.0	22.4	23.5	26.1	12	15	20	20	20	<a href="#">MHQ0402PSA20NHT000</a>
20.0	20.0	22.4	23.5	26.1	12	15	20	20	20	<a href="#">MHQ0402PSA20NJT000</a>
22.0	22.0	24.8	26.1	29.4	12	14	18	18	17	<a href="#">MHQ0402PSA22NHT000</a>
22.0	22.0	24.8	26.1	29.4	12	14	18	18	17	<a href="#">MHQ0402PSA22NJT000</a>

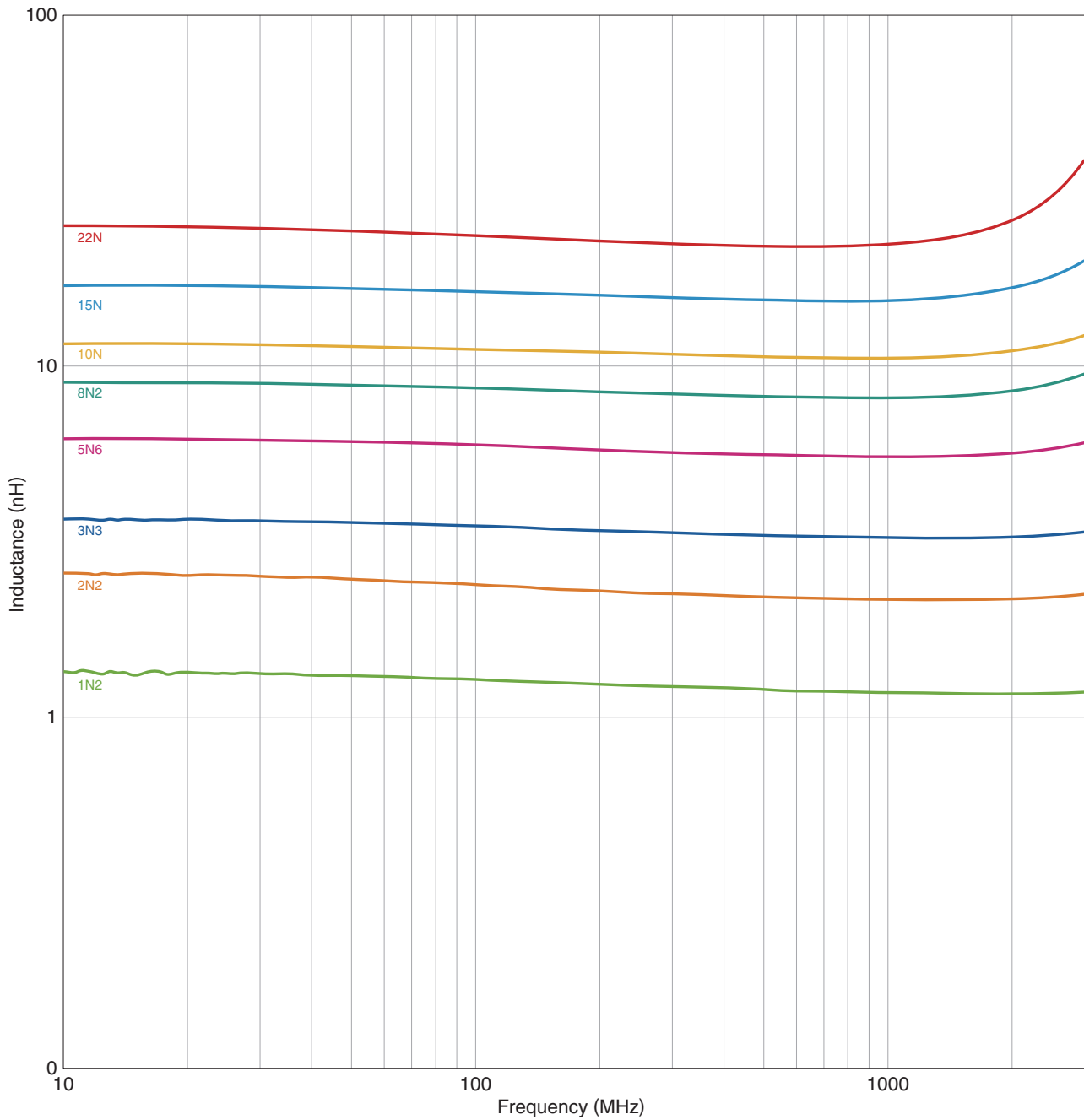
## Measurement equipment

Measurement item	Product No.	Manufacturer
L, Q	4991A+16196D	Keysight Technologies
Self-resonant frequency	8720C	Keysight Technologies
DC resistance	4338A	Yokogawa

\* Equivalent measurement equipment may be used.

# MHQ0402PSA type

## L FREQUENCY CHARACTERISTICS (EXAMPLE)



Measurement equipment

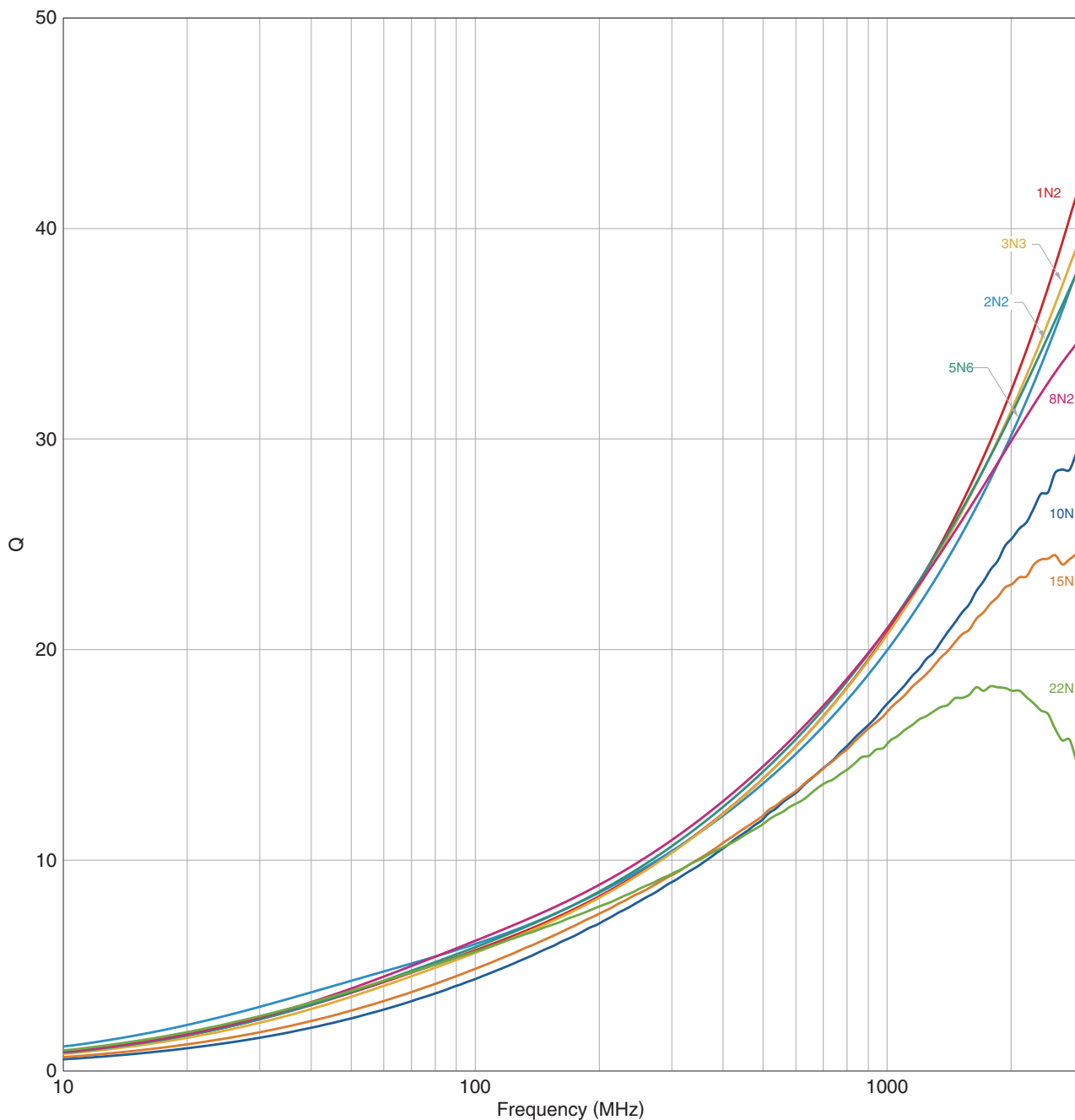
Product No.	Manufacturer
E4991A+16196D	Keysight Technologies

\* Equivalent measurement equipment may be used.



# MHQ0402PSA type

## Q FREQUENCY CHARACTERISTICS (EXAMPLE)



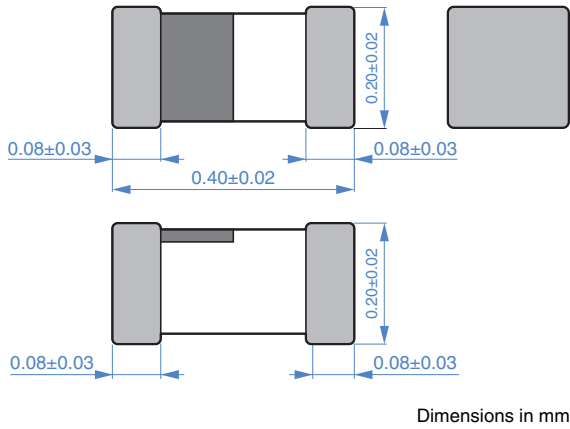
Measurement equipment

Product No.	Manufacturer
E4991A+16196D	Keysight Technologies

\* Equivalent measurement equipment may be used.

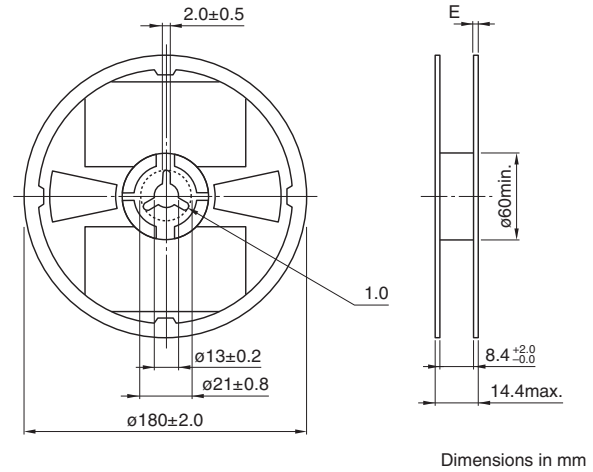
# MHQ0402PSA type

## SHAPE & DIMENSIONS

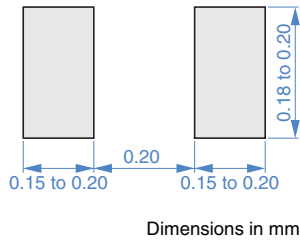


## PACKAGING STYLE

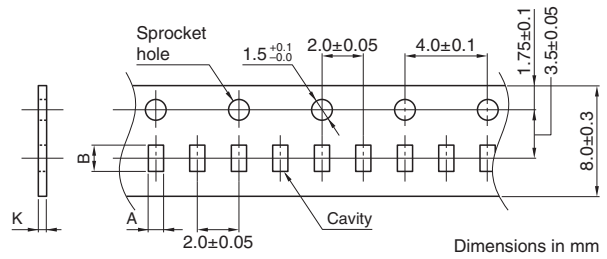
### REEL DIMENSIONS



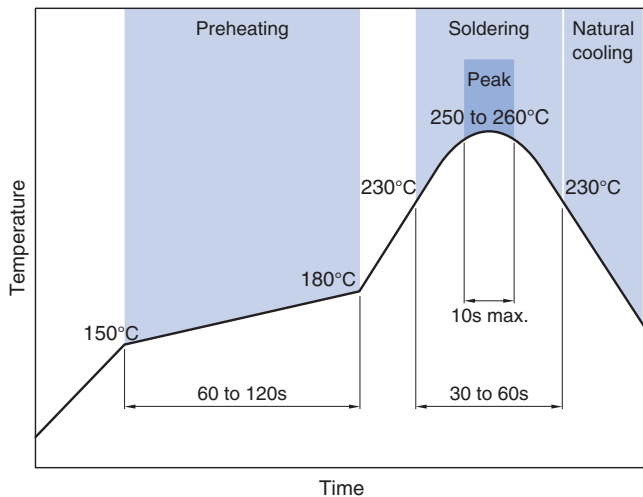
## RECOMMENDED LAND PATTERN



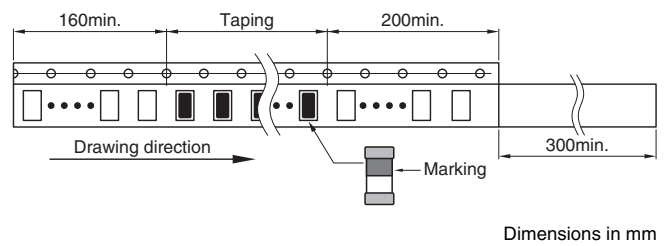
### TAPE DIMENSIONS



## RECOMMENDED REFLOW PROFILE



Type	A	B	K
MHQ0402PSA	0.26±0.04	0.46±0.04	0.40 max.



### PACKAGE QUANTITY

Package quantity	20000 pcs/reel
------------------	----------------

## TEMPERATURE RANGE, INDIVIDUAL WEIGHT

Operating temperature range	Storage temperature range*	Individual weight
-55 to +125 °C	-55 to +125 °C	0.07 mg

\* The storage temperature range is for after the assembly.

## REMINDERS FOR USING THESE PRODUCTS

Before using these products, be sure to request the delivery specifications.

### SAFETY REMINDERS

Please pay sufficient attention to the warnings for safe designing when using this products.

#### REMINDERS

- The storage period is within 12 months. Be sure to follow the storage conditions (temperature: 5 to 40°C, humidity: 10 to 75% RH or less).  
If the storage period elapses, the soldering of the terminal electrodes may deteriorate.
- Do not use or store in locations where there are conditions such as gas corrosion (salt, acid, alkali, etc.).
- Before soldering, be sure to preheat components.  
The preheating temperature should be set so that the temperature difference between the solder temperature and chip temperature does not exceed 150°C.
- Soldering corrections after mounting should be within the range of the conditions determined in the specifications.  
If overheated, a short circuit, performance deterioration, or lifespan shortening may occur.
- When embedding a printed circuit board where a chip is mounted to a set, be sure that residual stress is not given to the chip due to the overall distortion of the printed circuit board and partial distortion such as at screw tightening portions.
- Self heating (temperature increase) occurs when the power is turned ON, so the tolerance should be sufficient for the set thermal design.
- Carefully lay out the coil for the circuit board design of the non-magnetic shield type.  
A malfunction may occur due to magnetic interference.
- Use a wrist band to discharge static electricity in your body through the grounding wire.
- Do not expose the products to magnets or magnetic fields.
- Do not use for a purpose outside of the contents regulated in the delivery specifications.
- The products listed on this catalog are intended for use in general electronic equipment (AV equipment, telecommunications equipment, home appliances, amusement equipment, computer equipment, personal equipment, office equipment, measurement equipment, industrial robots) under a normal operation and use condition.  
The products are not designed or warranted to meet the requirements of the applications listed below, whose performance and/or quality require a more stringent level of safety or reliability, or whose failure, malfunction or trouble could cause serious damage to society, person or property.  
If you intend to use the products in the applications listed below or if you have special requirements exceeding the range or conditions set forth in the each catalog, please contact us.

- (1) Aerospace/aviation equipment
- (2) Transportation equipment (cars, electric trains, ships, etc.)
- (3) Medical equipment
- (4) Power-generation control equipment
- (5) Atomic energy-related equipment
- (6) Seabed equipment
- (7) Transportation control equipment

- (8) Public information-processing equipment
- (9) Military equipment
- (10) Electric heating apparatus, burning equipment
- (11) Disaster prevention/crime prevention equipment
- (12) Safety equipment
- (13) Other applications that are not considered general-purpose applications

When designing your equipment even for general-purpose applications, you are kindly requested to take into consideration securing protection circuit/device or providing backup circuits in your equipment.



## OUR CERTIFICATE

DiGi provide top-quality products and perfect service for customer worldwide through standardization, technological innovation and continuous improvement. DiGi through third-party certification, we stricly control the quality of products and services. Welcome your RFQ to

Email: [Info@DiGi-Electronics.com](mailto:Info@DiGi-Electronics.com)



Tel: +00 852-30501935

RFQ Email: [Info@DiGi-Electronics.com](mailto:Info@DiGi-Electronics.com)

DiGi is a global authorized distributor of electronic components.