

NLV32T-100J-EF Datasheet

www.digi-electronics.com



<https://www.DiGi-Electronics.com>

DiGi Electronics Part Number	NLV32T-100J-EF-DG
Manufacturer	TDK Corporation
Manufacturer Product Number	NLV32T-100J-EF
Description	FIXED IND 10UH 150MA 2.1 OHM SMD
Detailed Description	10 μ H Unshielded Drum Core, Wirewound Inductor 150 mA 2.1Ohm Max 1210 (3225 Metric)



Tel: +00 852-30501935

RFQ Email: Info@DiGi-Electronics.com

DiGi is a global authorized distributor of electronic components.

Purchase and inquiry

Manufacturer Product Number:

NLV32T-100J-EF

Series:

NLV-EF

Type:

Drum Core, Wirewound

Inductance:10 μ H**Current Rating (Amps):**

150 mA

Shielding:

Unshielded

Q @ Freq:

30 @ 2.52MHz

Ratings:

-

Inductance Frequency - Test:

2.52 MHz

Package / Case:

1210 (3225 Metric)

Size / Dimension:

0.126" L x 0.098" W (3.20mm x 2.50mm)

Manufacturer:

TDK Corporation

Product Status:

Active

Material - Core:

Ferrite

Tolerance: \pm 5%**Current - Saturation (Isat):**

-

DC Resistance (DCR):

2.1Ohm Max

Frequency - Self Resonant:

30MHz

Operating Temperature:

-40°C ~ 105°C

Mounting Type:

Surface Mount

Supplier Device Package:

1210

Height - Seated (Max):

0.094" (2.40mm)

Environmental & Export classification

RoHS Status:

ROHS3 Compliant

REACH Status:

REACH Affected

HTSUS:

8504.50.8000

Moisture Sensitivity Level (MSL):

1 (Unlimited)

ECCN:

EAR99

INDUCTORS TDK

Inductors for standard circuits
Wound ferrite
NLV-EF series



NLV32-EF type



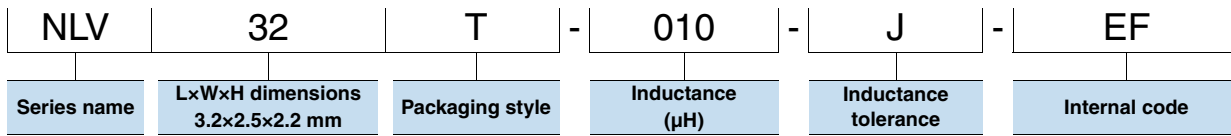
FEATURES

- Resin mold type wound inductor for standard circuits.
- E-12 series, wide lineup compatible with J ($\pm 5\%$) tolerance, can be used for applications that need to meet strict L tolerance such as filter circuits.
- Has excellent inductance temperature characteristics in the operating temperature range.
- Operating temperature range: -40 to $+105^\circ\text{C}$ (including self-temperature rise)

APPLICATION

- Smart meters, AV equipment, xDSL, electronic devices for communications infrastructure such as mobile base stations, industrial equipment, other

PART NUMBER CONSTRUCTION



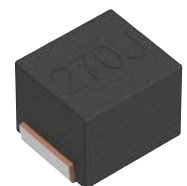
CHARACTERISTICS SPECIFICATION TABLE

L	Q	L, Q measuring frequency	Self-resonant frequency	DC resistance	Rated current	Part No.	
(μH)	Tolerance	min. (MHz)	(MHz)min.	(Ω)max.	(mA)max.		
0.01	$\pm 5\%$	15	100	2500	0.13	450	NLV32T-010J-EF
0.012	$\pm 5\%$	17	100	2300	0.14	450	NLV32T-012J-EF
0.015	$\pm 5\%$	19	100	2100	0.16	450	NLV32T-015J-EF
0.018	$\pm 5\%$	21	100	1900	0.18	450	NLV32T-018J-EF
0.022	$\pm 5\%$	23	100	1700	0.2	450	NLV32T-022J-EF
0.027	$\pm 5\%$	23	100	1500	0.22	450	NLV32T-027J-EF
0.033	$\pm 5\%$	25	100	1400	0.24	450	NLV32T-033J-EF
0.039	$\pm 5\%$	25	100	1300	0.27	450	NLV32T-039J-EF
0.047	$\pm 5\%$	26	100	1200	0.3	450	NLV32T-047J-EF
0.056	$\pm 5\%$	26	100	1100	0.33	450	NLV32T-056J-EF
0.068	$\pm 5\%$	27	100	1000	0.36	450	NLV32T-068J-EF
0.082	$\pm 5\%$	27	100	900	0.4	450	NLV32T-082J-EF
0.1	$\pm 5\%$	28	100	700	0.44	450	NLV32T-R10J-EF

Measurement equipment

Measurement item	Product No.	Manufacturer
L, Q	4294A+16197A 4294A+16093B	Keysight Technologies
Self-resonant frequency	E5063A	Keysight Technologies
DC resistance	AX-114N	ADEX

* Equivalent measurement equipment may be used.



⚠ Please be sure to request delivery specifications that provide further details on the features and specifications of the products for proper and safe use. (1/6)
 Please note that the contents may change without any prior notice due to reasons such as upgrading.

NLV32-EF type

CHARACTERISTICS SPECIFICATION TABLE

L	Q	L, Q measuring frequency	Self-resonant frequency	DC resistance	Rated current	Part No.	
(μ H)	Tolerance	min. (MHz)	(MHz)min.	(Ω)max.	(mA)max.		
0.12	$\pm 5\%$	30	25.2	500	0.22	450	NLV32T-R12J-EF
0.15	$\pm 5\%$	30	25.2	450	0.25	450	NLV32T-R15J-EF
0.18	$\pm 5\%$	30	25.2	400	0.28	450	NLV32T-R18J-EF
0.22	$\pm 5\%$	30	25.2	350	0.32	450	NLV32T-R22J-EF
0.27	$\pm 5\%$	30	25.2	320	0.36	450	NLV32T-R27J-EF
0.33	$\pm 5\%$	30	25.2	300	0.4	450	NLV32T-R33J-EF
0.39	$\pm 5\%$	30	25.2	250	0.45	450	NLV32T-R39J-EF
0.47	$\pm 5\%$	30	25.2	220	0.5	450	NLV32T-R47J-EF
0.56	$\pm 5\%$	30	25.2	180	0.55	450	NLV32T-R56J-EF
0.68	$\pm 5\%$	30	25.2	160	0.6	450	NLV32T-R68J-EF
0.82	$\pm 5\%$	30	25.2	140	0.65	450	NLV32T-R82J-EF
1	$\pm 5\%$	30	7.96	120	0.7	400	NLV32T-1R0J-EF
1.2	$\pm 5\%$	30	7.96	100	0.75	390	NLV32T-1R2J-EF
1.5	$\pm 5\%$	30	7.96	85	0.85	370	NLV32T-1R5J-EF
1.8	$\pm 5\%$	30	7.96	80	0.9	350	NLV32T-1R8J-EF
2.2	$\pm 5\%$	30	7.96	75	1	320	NLV32T-2R2J-EF
2.7	$\pm 5\%$	30	7.96	70	1.1	290	NLV32T-2R7J-EF
3.3	$\pm 5\%$	30	7.96	60	1.2	260	NLV32T-3R3J-EF
3.9	$\pm 5\%$	30	7.96	55	1.3	250	NLV32T-3R9J-EF
4.7	$\pm 5\%$	30	7.96	50	1.5	220	NLV32T-4R7J-EF
5.6	$\pm 5\%$	30	7.96	45	1.6	200	NLV32T-5R6J-EF
6.8	$\pm 5\%$	30	7.96	40	1.8	180	NLV32T-6R8J-EF
8.2	$\pm 5\%$	30	7.96	35	2	170	NLV32T-8R2J-EF
10	$\pm 5\%$	30	2.52	30	2.1	150	NLV32T-100J-EF
12	$\pm 5\%$	30	2.52	20	2.5	140	NLV32T-120J-EF
15	$\pm 5\%$	30	2.52	20	2.8	130	NLV32T-150J-EF
18	$\pm 5\%$	30	2.52	20	3.3	120	NLV32T-180J-EF
22	$\pm 5\%$	30	2.52	20	3.7	110	NLV32T-220J-EF
27	$\pm 5\%$	30	2.52	20	5	80	NLV32T-270J-EF
33	$\pm 5\%$	30	2.52	17	5.6	70	NLV32T-330J-EF
39	$\pm 5\%$	30	2.52	16	6.4	65	NLV32T-390J-EF
47	$\pm 5\%$	30	2.52	15	7	60	NLV32T-470J-EF
56	$\pm 5\%$	30	2.52	13	8	55	NLV32T-560J-EF
68	$\pm 5\%$	30	2.52	12	9	50	NLV32T-680J-EF
82	$\pm 5\%$	30	2.52	11	10	45	NLV32T-820J-EF
100	$\pm 5\%$	20	0.796	10	10	40	NLV32T-101J-EF
120	$\pm 5\%$	20	0.796	10	11	70	NLV32T-121J-EF
150	$\pm 5\%$	20	0.796	8	15	65	NLV32T-151J-EF
180	$\pm 5\%$	20	0.796	7	17	60	NLV32T-181J-EF
220	$\pm 5\%$	20	0.796	7	21	50	NLV32T-221J-EF
270	$\pm 5\%$	20	0.796	6	28	45	NLV32T-271J-EF
330	$\pm 5\%$	20	0.796	5	34	40	NLV32T-331J-EF
390	$\pm 5\%$	20	0.796	5	38	35	NLV32T-391J-EF
470	$\pm 5\%$	20	0.796	4	40	25	NLV32T-471J-EF

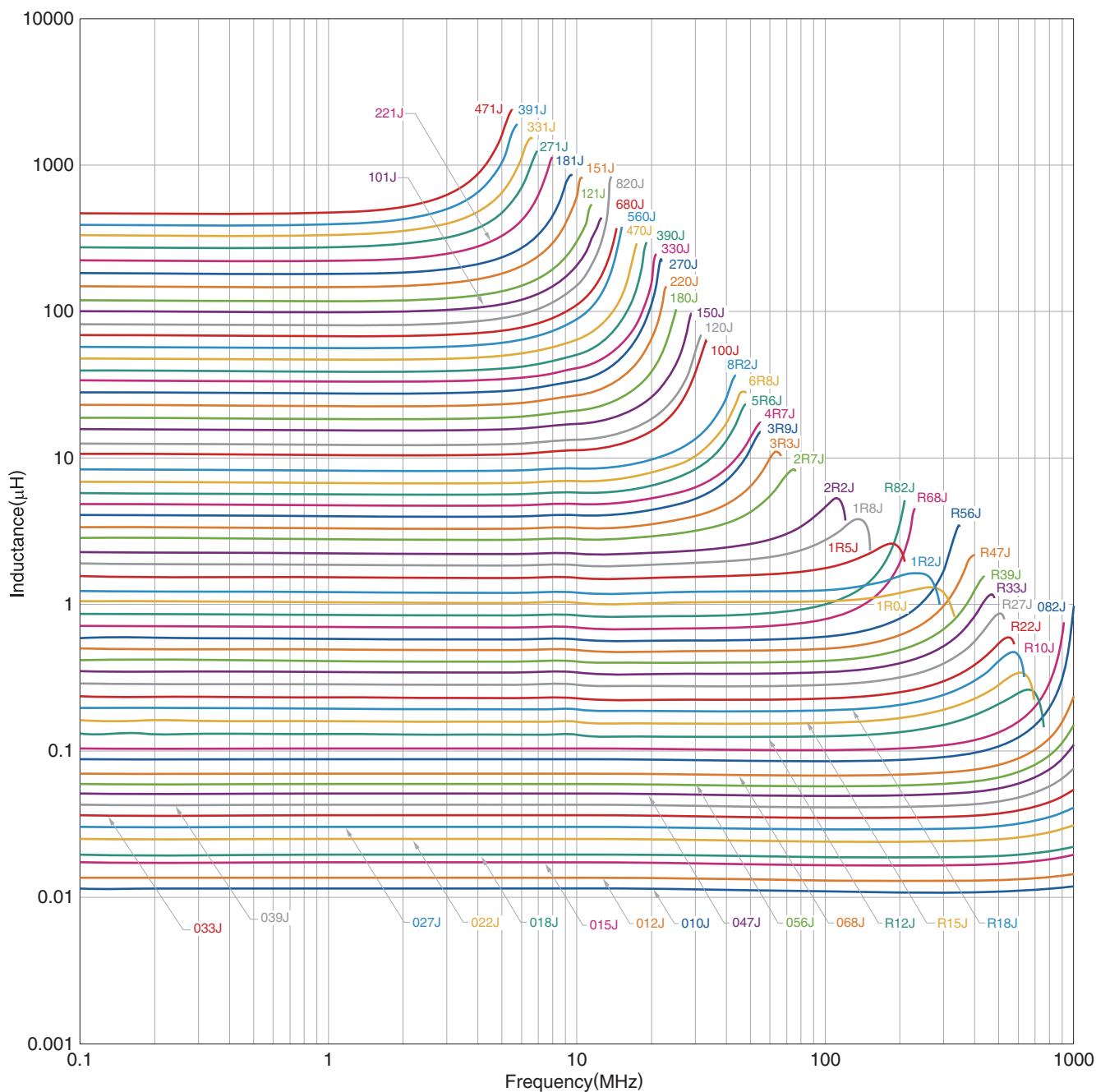
Measurement equipment

Measurement item	Product No.	Manufacturer
L, Q	4294A+16197A 4294A+16093B	Keysight Technologies
Self-resonant frequency	E5063A	Keysight Technologies
DC resistance	AX-114N	ADEX

* Equivalent measurement equipment may be used.

NLV32-EF type

L FREQUENCY CHARACTERISTICS



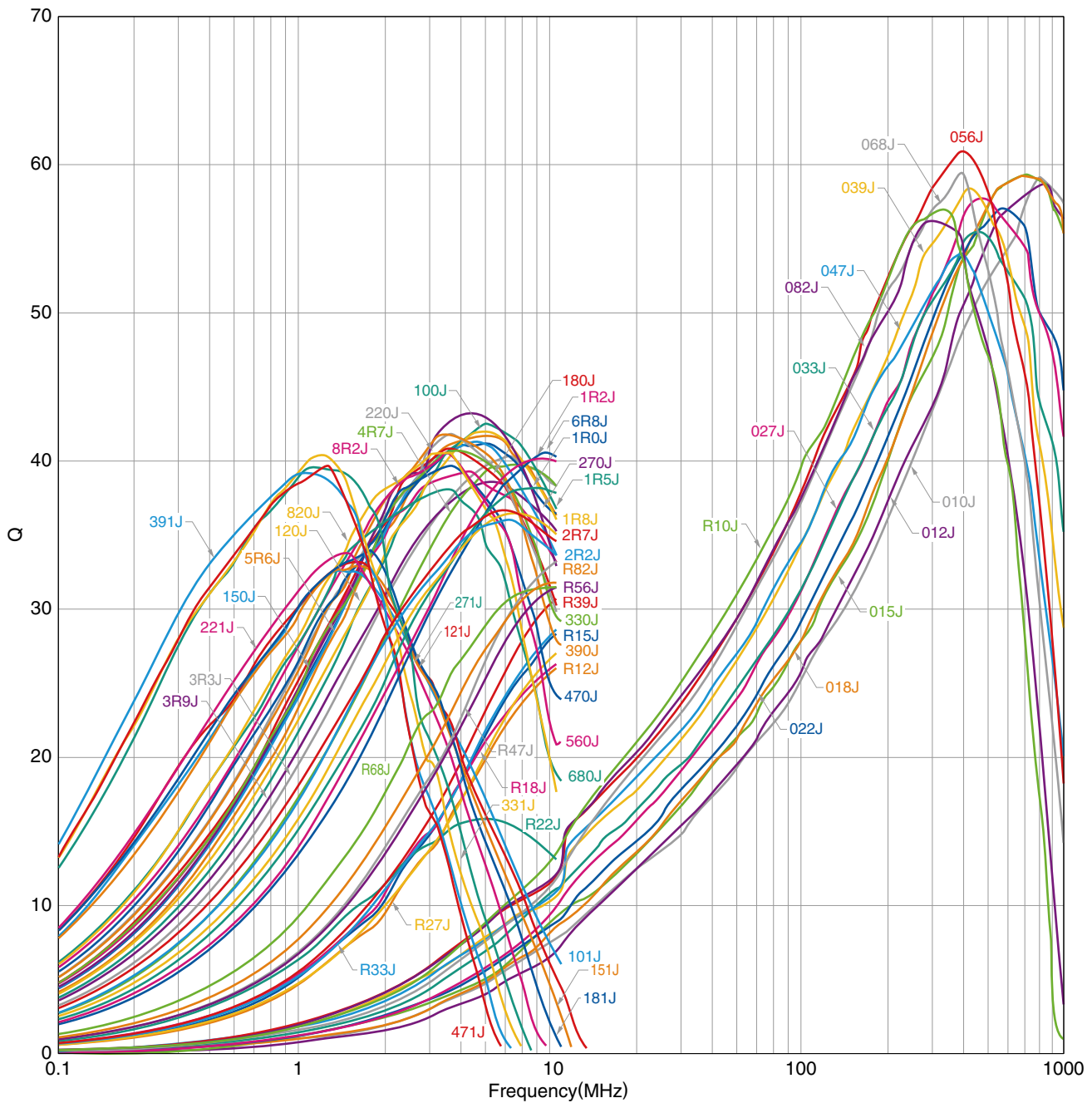
Measurement equipment

Product No.	Manufacturer
4294A	Keysight Technologies

* Equivalent measurement equipment may be used.

NLV32-EF type

Q FREQUENCY CHARACTERISTICS



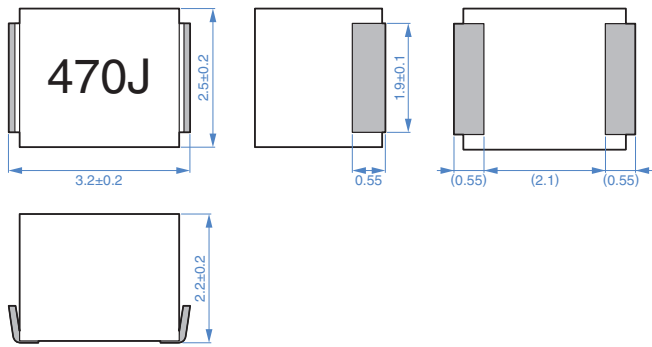
Measurement equipment

Product No.	Manufacturer
4294A	Keysight Technologies

* Equivalent measurement equipment may be used.

NLV32-EF type

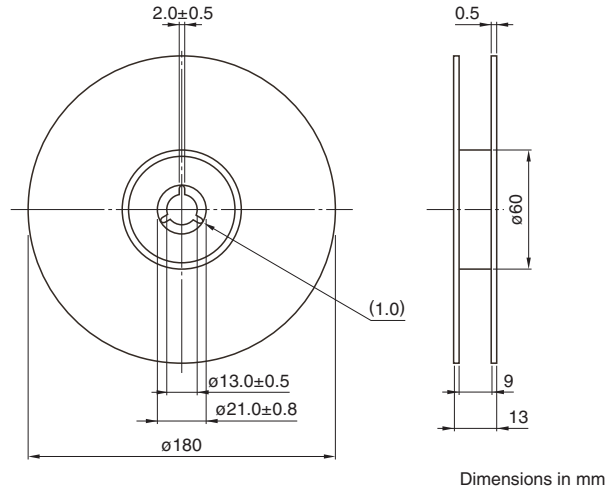
SHAPE & DIMENSIONS



Dimensions in mm

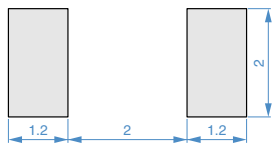
PACKAGING STYLE

REEL DIMENSIONS



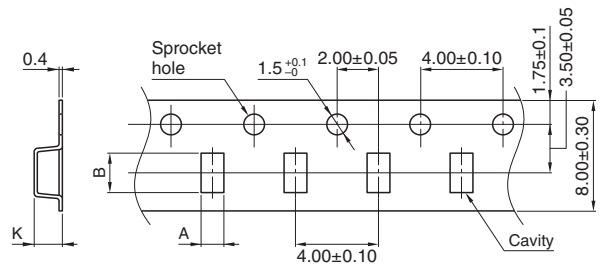
Dimensions in mm

RECOMMENDED LAND PATTERN



Dimensions in mm

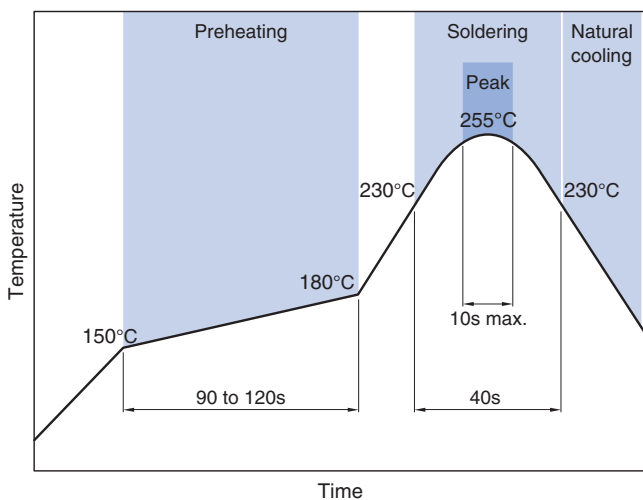
TAPE DIMENSIONS



Dimensions in mm

Type	A	B	K
NLV32-EF	2.8	3.5	2.3

RECOMMENDED REFLOW PROFILE



PACKAGE QUANTITY

Package quantity	2000 pcs/reel
------------------	---------------

TEMPERATURE RANGE, INDIVIDUAL WEIGHT

Operating temperature range*	Storage temperature range**	Individual weight
-40 to +105 °C	-40 to +105 °C	50 mg

* Operating temperature range includes self-temperature rise.

** The storage temperature range is for after the assembly.

REMINDERS FOR USING THESE PRODUCTS

Before using these products, be sure to request the delivery specifications.

SAFETY REMINDERS

Please pay sufficient attention to the warnings for safe designing when using this products.

REMINDERS

- The storage period is within 6 months. Be sure to follow the storage conditions (temperature: 5 to 40°C, humidity: 10 to 75% RH or less).
If the storage period elapses, the soldering of the terminal electrodes may deteriorate.
- Do not use or store in locations where there are conditions such as gas corrosion (salt, acid, alkali, etc.).
- Before soldering, be sure to preheat components.
The preheating temperature should be set so that the temperature difference between the solder temperature and chip temperature does not exceed 150°C.
- Soldering corrections after mounting should be within the range of the conditions determined in the specifications.
If overheated, a short circuit, performance deterioration, or lifespan shortening may occur.
- When embedding a printed circuit board where a chip is mounted to a set, be sure that residual stress is not given to the chip due to the overall distortion of the printed circuit board and partial distortion such as at screw tightening portions.
- Self heating (temperature increase) occurs when the power is turned ON, so the tolerance should be sufficient for the set thermal design.
- Carefully lay out the coil for the circuit board design of the non-magnetic shield type.
A malfunction may occur due to magnetic interference.
- Use a wrist band to discharge static electricity in your body through the grounding wire.
- Do not expose the products to magnets or magnetic fields.
- Do not use for a purpose outside of the contents regulated in the delivery specifications.
- The products listed on this catalog are intended for use in general electronic equipment (AV equipment, telecommunications equipment, home appliances, amusement equipment, computer equipment, personal equipment, office equipment, measurement equipment, industrial robots) under a normal operation and use condition.
The products are not designed or warranted to meet the requirements of the applications listed below, whose performance and/or quality require a more stringent level of safety or reliability, or whose failure, malfunction or trouble could cause serious damage to society, person or property.
If you intend to use the products in the applications listed below or if you have special requirements exceeding the range or conditions set forth in the each catalog, please contact us.

- (1) Aerospace/aviation equipment
- (2) Transportation equipment (cars, electric trains, ships, etc.)
- (3) Medical equipment
- (4) Power-generation control equipment
- (5) Atomic energy-related equipment
- (6) Seabed equipment
- (7) Transportation control equipment

- (8) Public information-processing equipment
- (9) Military equipment
- (10) Electric heating apparatus, burning equipment
- (11) Disaster prevention/crime prevention equipment
- (12) Safety equipment
- (13) Other applications that are not considered general-purpose applications

When designing your equipment even for general-purpose applications, you are kindly requested to take into consideration securing protection circuit/device or providing backup circuits in your equipment.

OUR CERTIFICATE

DiGi provide top-quality products and perfect service for customer worldwide through standardization, technological innovation and continuous improvement. DiGi through third-party certification, we stricly control the quality of products and services. Welcome your RFQ to

Email: Info@DiGi-Electronics.com



Tel: +00 852-30501935

RFQ Email: Info@DiGi-Electronics.com

DiGi is a global authorized distributor of electronic components.