

SPM4015T-1R0M-CA Datasheet

www.digi-electronics.com



<https://www.DiGi-Electronics.com>

DiGi Electronics Part Number	SPM4015T-1R0M-CA-DG
Manufacturer	TDK Corporation
Manufacturer Product Number	SPM4015T-1R0M-CA
Description	FIXED IND 1UH 4.3A 39.6 MOHM SMD
Detailed Description	1 μ H Shielded Drum Core, Wirewound Inductor 4.3 A 39.6mOhm Max Nonstandard



Tel: +00 852-30501935

RFQ Email: Info@DiGi-Electronics.com

DiGi is a global authorized distributor of electronic components.

Purchase and inquiry

Manufacturer Product Number:

SPM4015T-1R0M-CA

Series:

SPM-CA

Type:

Drum Core, Wirewound

Inductance:1 μ H**Current Rating (Amps):**

4.3 A

Shielding:

Shielded

Q @ Freq:

-

Ratings:

-

Inductance Frequency - Test:

100 kHz

Package / Case:

Nonstandard

Size / Dimension:

0.173" L x 0.161" W (4.40mm x 4.10mm)

Manufacturer:

TDK Corporation

Product Status:

Obsolete

Material - Core:

Iron Powder

Tolerance: \pm 20%**Current - Saturation (Isat):**

6.7A

DC Resistance (DCR):

39.6mOhm Max

Frequency - Self Resonant:

-

Operating Temperature:

-40°C ~ 125°C

Mounting Type:

Surface Mount

Supplier Device Package:

-

Height - Seated (Max):

0.059" (1.50mm)

Environmental & Export classification

RoHS Status:

ROHS3 Compliant

REACH Status:

REACH Unaffected

HTSUS:

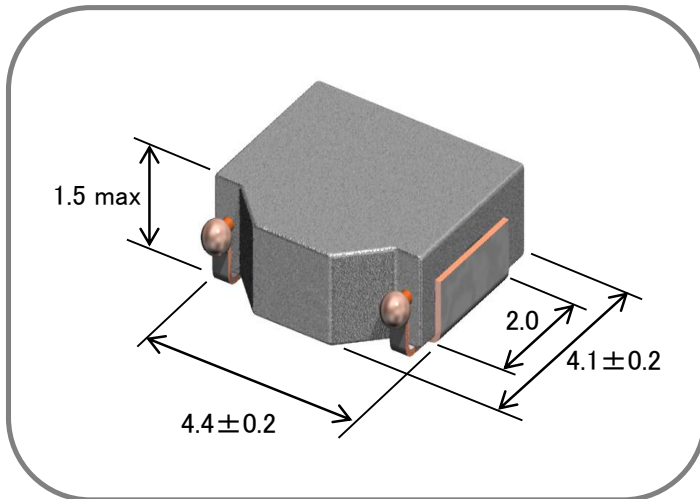
8504.50.4000

Moisture Sensitivity Level (MSL):

1 (Unlimited)

ECCN:

EAR99

Component Image & Dimension**Features**

- Small Footprint and Low Profile Design :
Footprint : 4.4 x 4.1 mm Typ.
Height : 1.5mm Max.
- High Power Handling Capability :
Small Copper Loss
Using Large Saturation Induction of Fe- based metals
- Flat inductance performance over temperature based on the high curie temperature of the iron powder core material.
- Automatic Mounting in Tape&Reel Package.

Applications

Note Book & Mobile Computer, VRM,
Cellular Phone, HDD, Car accessories etc.

Electrical Specification

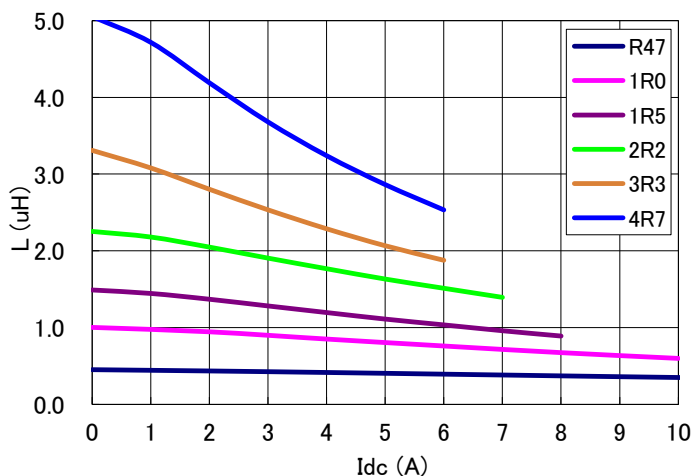
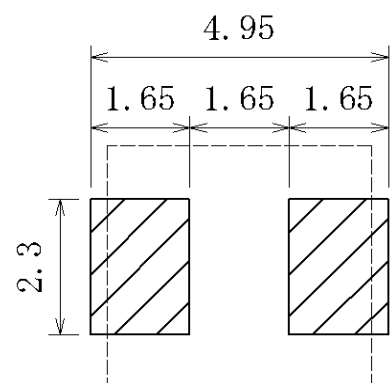
TDK Identification	Inductance		Test Freq. (kHz)	DC Resistance		Rated DC Current		
	at 0A (uH)	Tol. (%)		Spec. (m-Ohm)	Typ. (m-Ohm)	Idc 1 (A) max.	Idc 1 (A) typ.	Idc 2 (A) typ.
SPM4015T- R47M-CA	0.47	+/-20%	100	24.4 max	22.2	10.0	13.4	5.5
SPM4015T- 1R0M-CA	1.0	+/-20%	100	39.6 max	36.0	6.7	8.9	4.3
SPM4015T- 1R5M-CA	1.5	+/-20%	100	56.0 max	51.0	4.4	5.8	3.7
SPM4015T- 2R2M-CA	2.2	+/-20%	100	71.0 max	64.5	4.3	5.8	3.1
SPM4015T- 3R3M-CA	3.3	+/-20%	100	128.0 max	116.4	2.9	3.9	2.3
SPM4015T- 4R7M-CA	4.7	+/-20%	100	206.5 max	187.7	2.7	3.7	1.8

Note. Idc 1 : Based on the inductance change. (-30% Reduction from Nominal L Value)

Idc 2 : Based on the self temperature rise. (+40 deg typ.)

Operating Temperature Range: -40 °C ~ +125 °C (including self temperature rise)

Caution: Please contact our sales person when you consider organic solvent or aqueous cleaning.

Inductance vs. DC Superposition**Recommended pad layout**

OUR CERTIFICATE

DiGi provide top-quality products and perfect service for customer worldwide through standardization, technological innovation and continuous improvement. DiGi through third-party certification, we stricly control the quality of products and services. Welcome your RFQ to

Email: Info@DiGi-Electronics.com



Tel: +00 852-30501935

RFQ Email: Info@DiGi-Electronics.com

DiGi is a global authorized distributor of electronic components.