

# SPM4015T-4R7M-CA02 Datasheet



DiGi Electronics Part Number	SPM4015T-4R7M-CA02-DG
Manufacturer	<a href="#">TDK Corporation</a>
Manufacturer Product Number	SPM4015T-4R7M-CA02
Description	FIXED IND 4.7UH 2A 0.2036OHM SMD
Detailed Description	4.7 $\mu$ H Shielded Drum Core, Wirewound Inductor 2 A 203.6mOhm Max Nonstandard

<https://www.DiGi-Electronics.com>



Tel: +00 852-30501935

RFQ Email: [Info@DiGi-Electronics.com](mailto:Info@DiGi-Electronics.com)

DiGi is a global authorized distributor of electronic components.

## Purchase and inquiry

Manufacturer Product Number:

SPM4015T-4R7M-CA02

Series:

SPM-CA02

Type:

Drum Core, Wirewound

Inductance:

4.7  $\mu$ H

Current Rating (Amps):

2 A

Shielding:

Shielded

Q @ Freq:

-

Ratings:

-

Inductance Frequency - Test:

100 kHz

Mounting Type:

Surface Mount

Supplier Device Package:

-

Height - Seated (Max):

0.059" (1.50mm)

Manufacturer:

TDK Corporation

Product Status:

Active

Material - Core:

Metal

Tolerance:

$\pm$ 20%

Current - Saturation (Isat):

3.6A

DC Resistance (DCR):

203.6mOhm Max

Frequency - Self Resonant:

-

Operating Temperature:

-40°C ~ 105°C

Features:

-

Package / Case:

Nonstandard

Size / Dimension:

0.173" L x 0.161" W (4.40mm x 4.10mm)

Base Product Number:

SPM4015T

## Environmental & Export classification

RoHS Status:

ROHS3 Compliant

REACH Status:

REACH Unaffected

HTSUS:

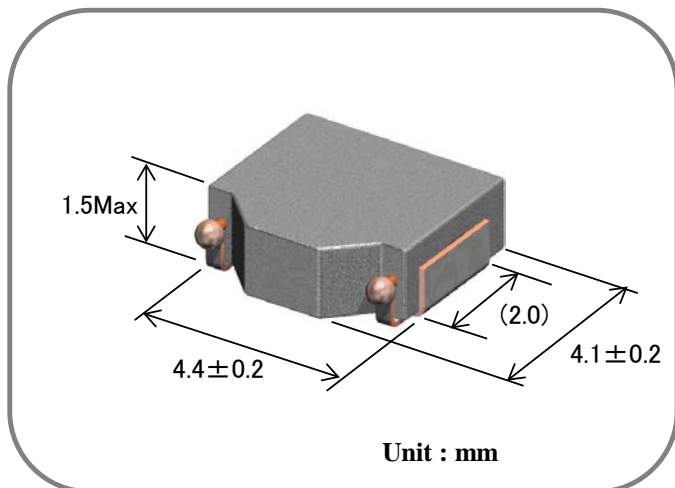
8504.50.8000

Moisture Sensitivity Level (MSL):

1 (Unlimited)

ECCN:

EAR99

**Component Image & Dimension****Features**

- Small Footprint and Low Profile Design :  
Footprint : 4.4 x 4.1 mm Typ.  
Height : 1.5mm Max.
- High Power Handling Capability :  
Small Copper Loss  
Using Large Saturation Induction of Fe- based metals
- Flat inductance performance over temperature based on the high curie temperature of the iron powder core material.
- Automatic Mounting in Tape&Reel Package.

**Applications**

In-vehicle infotainment only

**Electrical Specification ( Provisional value )**

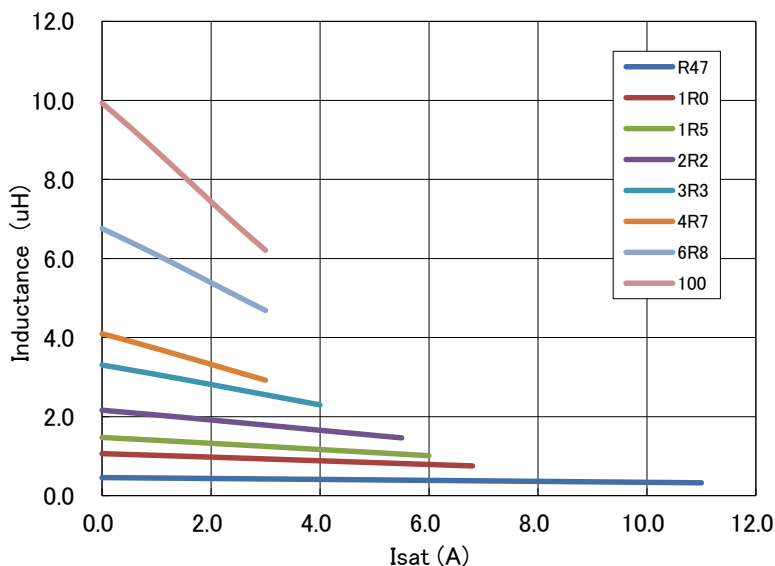
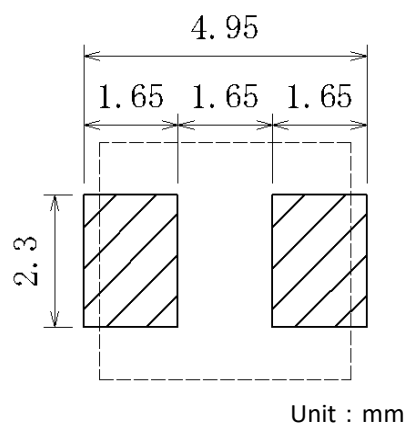
TDK Identification	Lo / Inductance		Test Freq. (kHz)	DC Resistance		Rated DC Current	
	at 0A (uH)	Tol. (%)		Max. (mΩ)	Typ. (mΩ)	Isat (A) Typ.	Itemp (A) Typ.
SPM4015T- R47M-CA02	0.47	+/-20%	100	16.0max	14.5	13.3	6.8
SPM4015T- 1R0M-CA02	1.00	+/-20%	100	33.6max	30.5	8.9	4.7
SPM4015T- 1R5M-CA02	1.50	+/-20%	100	49.0max	44.5	5.9	3.9
SPM4015T- 2R2M-CA02	2.20	+/-20%	100	62.7max	57.0	5.7	3.5
SPM4015T- 3R3M-CA02	3.30	+/-20%	100	116.6max	106.0	3.9	2.5
SPM4015T- 4R7M-CA02	4.70	+/-20%	100	203.6max	177.0	3.6	2.0
SPM4015T- 6R8M-CA02	6.80	+/-20%	100	234.6max	204.0	2.5	1.8
SPM4015T- 100M-CA02	10.00	+/-20%	100	345.0max	300.0	1.9	1.5

Note. Isat : Based on the inductance change.( drop -30% Typ. from Lo )

Itemp : Based on the self temperature rise. (+40 °C Typ.)

Operating Temperature Range: -40 °C ~+105 °C (including self temperature rise)

**Caution: Please contact our sales person when you consider organic solvent or aqueous cleaning.**

**Inductance vs. DC Superposition****Recommended pad layout**

## OUR CERTIFICATE

DiGi provide top-quality products and perfect service for customer worldwide through standardization, technological innovation and continuous improvement. DiGi through third-party certification, we stricly control the quality of products and services. Welcome your RFQ to

Email: [Info@DiGi-Electronics.com](mailto:Info@DiGi-Electronics.com)



Tel: +00 852-30501935

RFQ Email: [Info@DiGi-Electronics.com](mailto:Info@DiGi-Electronics.com)

DiGi is a global authorized distributor of electronic components.