

# PSS3-24-5 Datasheet



**TDK·Lambda**  
Trusted · Innovative · Reliable

DiGi Electronics Part Number	PSS3-24-5-DG
Manufacturer	<a href="#">TDK-Lambda Americas Inc</a>
Manufacturer Product Number	PSS3-24-5
Description	DC DC CONVERTER 5V 3W
Detailed Description	Isolated Module DC DC Converter 1 Output 5V 600mA 18V - 36V Input

<https://www.DiGi-Electronics.com>

This model PSS3-24-5 is available at DiGi Electronics.

DiGi Electronics offers a global database of semiconductor and electronic component datasheets.

We welcome your inquiries regarding pricing, lead time, or other product-related questions.

 [Request a Quote](#)

 [Datasheet Search](#)



Tel: +00 852-30501935

RFQ Email: [Info@DiGi-Electronics.com](mailto:Info@DiGi-Electronics.com)

DiGi is a global authorized distributor of electronic components.

## Purchase and inquiry

Manufacturer Product Number:

PSS3-24-5

Series:

PSS (3W)

Type:

Isolated Module

Voltage - Input (Min):

18V

Voltage - Output 1:

5V

Voltage - Output 3:

-

Current - Output (Max):

600mA

Applications:

ITE (Commercial)

Operating Temperature:

-40°C ~ 85°C (With Derating)

Mounting Type:

Through Hole

Size / Dimension:

1.02" L x 0.63" W x 0.31" H (25.9mm x 16.0mm x 8.0mm)

Manufacturer:

TDK-Lambda Americas Inc

Product Status:

Obsolete

Number of Outputs:

1

Voltage - Input (Max):

36V

Voltage - Output 2:

-

Voltage - Output 4:

-

Power (Watts):

3 W

Features:

Remote On/Off, OCP

Efficiency:

84%

Package / Case:

6-DIP Module

Supplier Device Package:

6-DIP Module

## Environmental & Export classification

Moisture Sensitivity Level (MSL):

1 (Unlimited)

HTSUS:

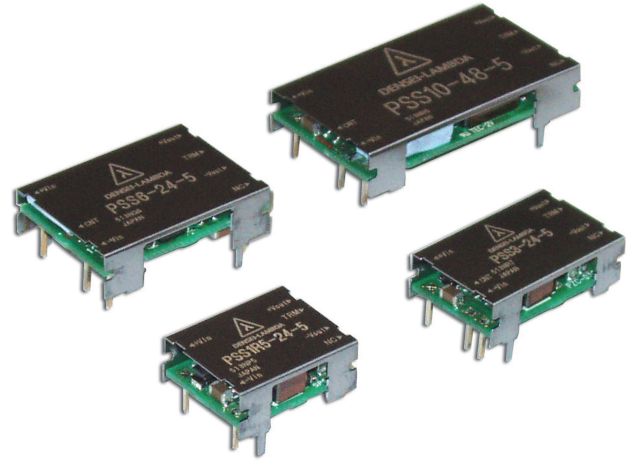
8504.40.9580

ECCN:

EAR99

**TDK-Lambda****PSS/PSD Series****Ultra Compact, 1.5W to 12W Single and Dual DC-DC Converters****Features**

- ◆ Compact Footprint / Low Profile
- ◆ Through Hole or SMT Versions
- ◆ 5V, 12V, 24V & 48V Inputs
- ◆ 3.3 to 30V\* Single,  $\pm 12$  to 15V Dual Outputs
- ◆ Output Voltage Adjustment
- ◆ Input - Output Isolation
- ◆ RoHS Compliant Design
- ◆ 5 Year Warranty
- ◆ Self contained
- ◆ Multiple Input Voltage configurations
- ◆ Open frame (no potting)

**Key Market Segments & Applications**

<b>Specifications</b>				
<b>Model</b>		<b>3.3V</b>	<b>5V</b>	<b>12/15V (24/30V)*</b>
DC Input	V	5V: 4.5-9.0V, 12V: 9-18V, 24V: 18-36V, 48V: 36-76V		
Efficiency	-	73 to 84% model dependant		
Output Voltage Accuracy	%	$\pm 5\%$		
Output Adjustment	V	2.84V-3.67V	4.3V-6V	12V-15V (24-30V)*
Line Regulation	mV	PSS: 20mV, PSD: 40mV		
Load Regulation	mV	PSS: 40mV, PSD: 600mV		
Temperature Coefficient	%/ °C	<0.02%/°C		
Preload		No preload required		
Output Ripple	mV	100	100	120
Overcurrent Protection	-	Output current limiting with automatic recovery.		
Overvoltage protection	-	No		
Remote On/Off (1)	-	Logic low (open to shutdown)		
Operating Temp. - Convection	-	-40 to 85°C, derates linearly to 40% load from 50 to 85°C		
Operating Temp. - Forced Air	-	-40 to 85°C with 1m/s air full load		
Storage Temperature	°C	-40°C to 85°C		
Humidity (Non condensing)	-	5 - 95% RH		
Isolation Voltage	-	500VAC 1 min. Input-Output, Input-Chassis		
Isolation Resistance	-	>100M at 25°C and 70%RH, 500VDC Output-Chassis		
Shock	m/s <sup>2</sup>	196.1m/s <sup>2</sup>		
Vibration (non operating)	-	10-55-10Hz (sweep for 1 min.) 0.825mm constant (Max 147m/s <sup>2</sup> ) 1 hour X, Y, Z		
Weight	-	PS1R5: 4g, PS3: 5g, PS6: 8g, PS10:14g		
Size (L"x W"x H") (Through hole and SMT package)	in	PSS/PSD1R5: 0.79 x 0.63 x 0.31; PSS/PSD3: 1.02 x 0.63 x 0.31 PSS/PSD6: 1.12 x 0.8 x 0.31, PSS10: 1.59 x 0.866 x 0.31		
Warranty	yrs	Five Years		

Note: See Installation Manual for full specifications, test methods of parameters and application notes

\* For 24/30V output use PSD models - connect across +Vout & -Vout and leave "common" pin not connected

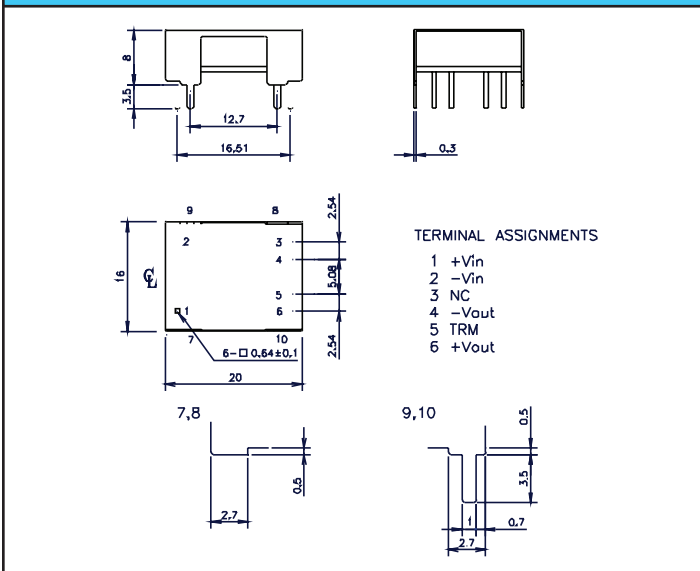
(1) Not available on PS1R5

# Not Recommended For New Designs

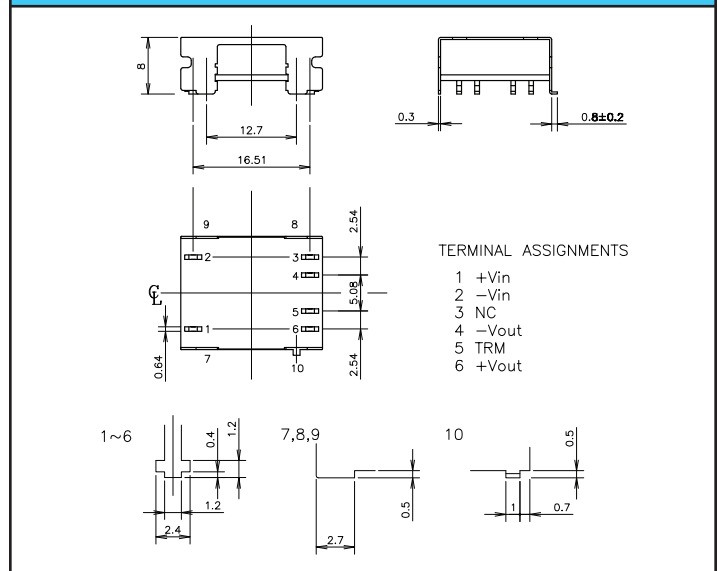
## Model Selector

Output Voltage (V)	Output Current (A)	Max Output Power (W)	5V Input	12V Input	24V Input	48V Input
<b>Single Outputs</b>						
3.3	0.4	1.32	PSS1R5-5-3R3	PSS1R5-12-3R3	PSS1R5-24-3R3	PSS1R5-48-3R3
3.3	0.6	1.98	PSS3-5-3R3	PSS3-12-3R3	PSS3-24-3R3	PSS3-48-3R3
3.3	1.2	3.96	PSS6-5-3R3			
3.3	1.5	4.95		PSS6-12-3R3	PSS6-24-3R3	PSS6-48-3R3
3.3	2.0	6.6	PSS10-5-3R3	PSS10-12-3R3		
3.3	2.5	8.25			PSS10-24-3R3	PSS10-48-3R3
5.0	0.3	1.5	PSS1R5-5-5	PSS1R5-12-5	PSS1R5-24-5	PSS1R5-48-5
5.0	0.6	3.0	PSS3-5-5	PSS3-12-5	PSS3-24-5	PSS3-48-5
5.0	1.0	5.0	PSS6-5-5	-	-	-
5.0	1.2	6.0	-	PSS6-12-5	PSS6-24-5	PSS6-48-5
5.0	1.6	8.0	PSS10-5-5			
5.0	2.0	10.0	-	PSS10-12-5	PSS10-24-5	PSS10-48-5
12 (15)	0.125 (0.1)	1.5	PSS1R5-5-12	PSS1R5-12-12	PSS1R5-24-12	PSS1R5-48-12
12 (15)	0.25 (0.2)	3.0	PSS3-5-12	PSS3-12-12	PSS3-24-12	PSS3-48-12
12 (15)	0.5 (0.4)	6.0	PSS6-5-12	PSS6-12-12	PSS6-24-12	PSS6-48-12
12 (15)	0.7 (0.56)	8.4	PSS10-5-12			
12 (15)	1.0 (0.8)	12.0		PSS10-12-12	PSS10-24-12	PSS10-48-12
<b>Dual Outputs</b>						
±12(15)*	±0.065 (0.052)	1.44	PSD1R5-5-1212	PSD1R5-12-1212	PSD1R5-24-1212	PSD1R5-48-1212
±12(15)*	±0.13 (0.1)	3.0	PSD3-5-1212	PSD3-12-1212	PSD3-24-1212	PSD3-48-1212
±12(15)*	±0.25 (0.2)	6.0	PSD6-5-1212	PSD6-12-1212	PSD6-24-1212	PSD6-48-1212
±12(15)*	±0.35 (0.28)	8.4	PSD10-5-1212			
±12(15)*	±0.50 (0.40)	10.8		PSD10-12-1212	PSD10-24-1212	PSD10-48-1212

## PSS1R5 Outline Drawing



## PSS1R5/S Outline Drawing



## Options

Suffix	Description
Blank	Through hole mounting
/S	Surface mount

## Other Industrial Products

X	10 - 20W, 24 & 48V input DC-DC converters
PX	10 - 40W 12, 24, 48V DC-DC converters
PAQ,	50 -700W quarter, half & full bricks
PAH, PAF	

For Additional Information, please visit  
[us.tdk-lambda.com/lp/products/ps-series.htm](http://us.tdk-lambda.com/lp/products/ps-series.htm)



## OUR CERTIFICATE

DiGi provide top-quality products and perfect service for customer worldwide through standardization, technological innovation and continuous improvement. DiGi through third-party certification, we stricly control the quality of products and services. Welcome your RFQ to

Email: [Info@DiGi-Electronics.com](mailto:Info@DiGi-Electronics.com)



Tel: +00 852-30501935

RFQ Email: [Info@DiGi-Electronics.com](mailto:Info@DiGi-Electronics.com)

DiGi is a global authorized distributor of electronic components.