

1586044-6 Datasheet

www.digi-electronics.com



<https://www.DiGi-Electronics.com>

DiGi Electronics Part Number	1586044-6-DG
Manufacturer	TE Connectivity AMP Connectors
Manufacturer Product Number	1586044-6
Description	CONN HEADER R/A 6POS 4.2MM
Detailed Description	Connector Header Through Hole, Right Angle 6 position 0.165" (4.20mm)

This model 1586044-6 is available at DiGi Electronics.

DiGi Electronics offers a global database of semiconductor and electronic component datasheets.

We welcome your inquiries regarding pricing, lead time, or other product-related questions.

 [Request a Quote](#)

 [Datasheet Search](#)



Tel: +00 852-30501935

RFQ Email: Info@DiGi-Electronics.com

DiGi is a global authorized distributor of electronic components.

Purchase and inquiry

Manufacturer Product Number:

1586044-6

Series:

VAL-U-LOK

Connector Type:

Header

Pitch - Mating:

0.165" (4.20mm)

Number of Rows:

2

Number of Positions Loaded:

All

Shrouding:

Shrouded - 4 Wall

Termination:

Solder

Contact Length - Mating:

-

Overall Contact Length:

-

Contact Shape:

Square

Contact Finish Thickness - Mating:

80.0µin (2.03µm)

Contact Material:

Brass Alloy

Features:

Mounting Flange

Ingress Protection:

-

Insulation Color:

Natural

Voltage Rating:

600VAC

Contact Finish Thickness - Post:

80.0µin (2.03µm)

Base Product Number:

1586044

Manufacturer:

TE Connectivity AMP Connectors

Product Status:

Active

Contact Type:

Male Pin

Number of Positions:

6

Row Spacing - Mating:

0.165" (4.20mm)

Style:

Board to Cable/Wire

Mounting Type:

Through Hole, Right Angle

Fastening Type:

Locking Ramp

Contact Length - Post:

0.142" (3.60mm)

Insulation Height:

0.386" (9.80mm)

Contact Finish - Mating:

Tin

Contact Finish - Post:

Tin

Insulation Material:

Polyamide (PA), Nylon

Operating Temperature:

-40°C ~ 105°C

Material Flammability Rating:

UL94 V-0

Current Rating (Amps):

9A

Mated Stacking Heights:

-

Applications:

General Purpose, Industrial, Lighting

1586044-6 ✓ ACTIVE

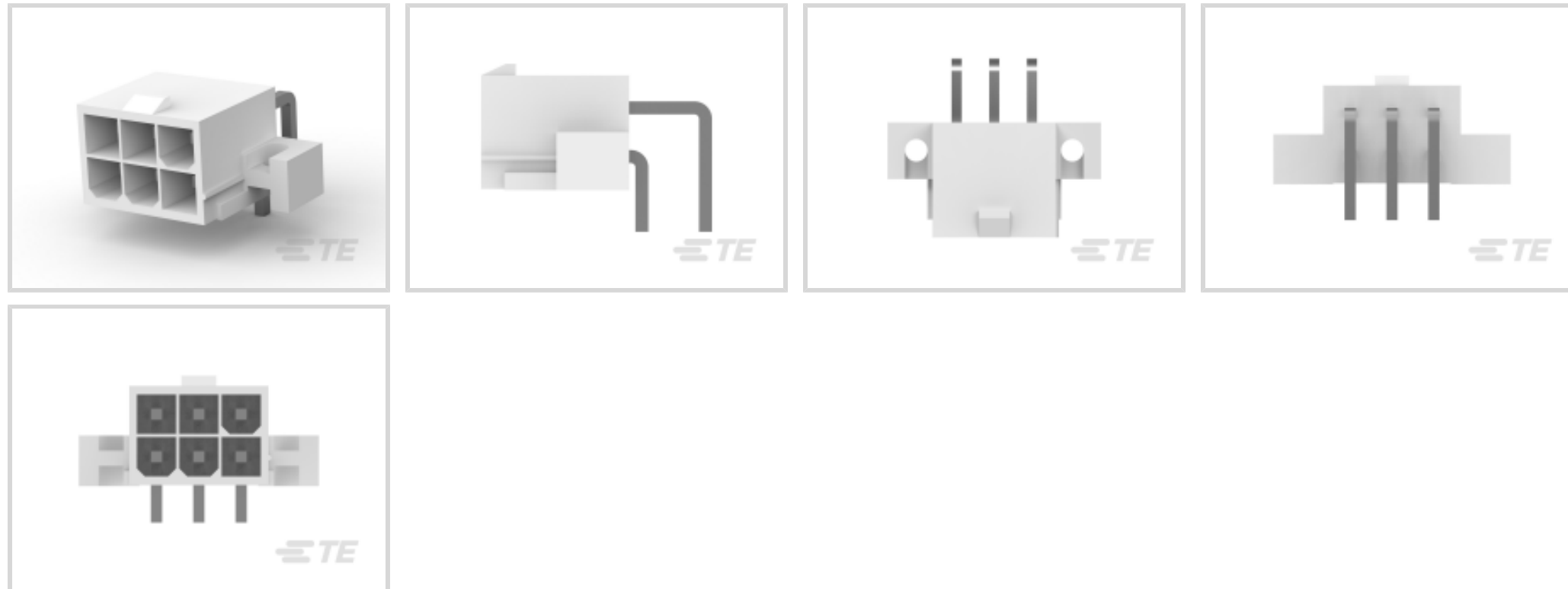
VAL-U-LOK

TE Internal #: 1586044-6

PCB Mount Header, Right Angle, Wire-to-Board, 6 Position, 4.2 mm
 [.165 in] Centerline, Fully Shrouded, Tin (Sn), Through Hole - Solder,
 Power, Natural

[View on TE.com >](#)

Connectors > PCB Connectors > PCB Headers & Receptacles

PCB Connector Type: **PCB Mount Header**PCB Mount Orientation: **Right Angle**Connector System: **Wire-to-Board**Number of Positions: **6**Number of Rows: **2****Features****Product Type Features**

Connector Shape	Rectangular
PCB Connector Type	PCB Mount Header
Connector System	Wire-to-Board
Header Type	Fully Shrouded
Sealable	No
Connector & Contact Terminates To	Printed Circuit Board
Connector Product Type	Connector Assembly

Configuration Features

Number of Loaded Positions	6
Number of Power Positions	6
PCB Mount Orientation	Right Angle
Number of Positions	6
Number of Rows	2

Electrical Characteristics



Operating Voltage	600 VAC
-------------------	---------

Body Features

Primary Product Color	Natural
-----------------------	---------

Contact Features

Contact Underplating Material	Nickel
-------------------------------	--------

Contact Underplating Material Thickness	.381 μm [15 μin]
---	---

Contact Mating Area Plating Material Thickness	2.03 μm [80 μin]
--	---

PCB Contact Termination Area Plating Material Thickness	2.03 μm [80 μin]
---	---

Contact Layout	Matrix
----------------	--------

Contact Base Material	Brass Alloy
-----------------------	-------------

PCB Contact Termination Area Plating Material	Tin
---	-----

Contact Mating Area Plating Material	Tin (Sn)
--------------------------------------	----------

Contact Type	Tab
--------------	-----

Contact Current Rating (Max)	9 A
------------------------------	-----

Termination Features

Termination Post & Tail Length	3.6 mm[.141 in]
--------------------------------	-----------------

Termination Method to PCB	Through Hole - Solder
---------------------------	-----------------------

Mechanical Attachment

Mating Retention Type	Locking Tab
-----------------------	-------------

Mating Retention	With
------------------	------

Mating Alignment Type	Keyed
-----------------------	-------

PCB Mount Alignment Type	Screw Mount
--------------------------	-------------

PCB Mount Retention	Without
---------------------	---------

PCB Mount Alignment	With
---------------------	------

Connector Mounting Type	Board Mount
-------------------------	-------------

Mating Alignment	With
------------------	------

Housing Features

Housing Material	Nylon
------------------	-------

Centerline (Pitch)	4.2 mm[.165 in]
--------------------	-----------------

Dimensions

Row-to-Row Spacing	4.2 mm[.165 in]
--------------------	-----------------

Connector Width	12.8 mm[.5 in]
-----------------	----------------



PCB Thickness (Recommended)	1.6 mm[.063 in]
Connector Height	9.8 mm[.386 in]
Connector Length	13.8 mm[.543 in]

Usage Conditions

Operating Temperature (Max)	105 °C[221 °F]
Operating Temperature Range	-40 – 105 °C[-40 – 221 °F]

Operation/Application

Circuit Application	Power
---------------------	-------

Industry Standards

Compatible With Agency/Standards Products	CSA, UL
UL Rating	Recognized
Compatible With Approved Standards Products	UL E28476
Glow Wire Rating	Standard Part - Not Glow Wire
UL Flammability Rating	UL 94V-0

Packaging Features

Packaging Quantity	160
Packaging Method	Tray

Product Compliance

[For compliance documentation, visit the product page on TE.com>](#)

EU RoHS Directive 2011/65/EU	Compliant
EU ELV Directive 2000/53/EC	Compliant
China RoHS 2 Directive MIIT Order No 32, 2016	No Restricted Materials Above Threshold
EU REACH Regulation (EC) No. 1907/2006	Current ECHA Candidate List: JUNE 2024 (241) Candidate List Declared Against: JUNE 2024 (241) Does not contain REACH SVHC
Halogen Content	Low Halogen - Br, Cl, F, I < 900 ppm per homogenous material. Also BFR/CFR/PVC Free
Solder Process Capability	Wave solder capable to 265°C

Product Compliance Disclaimer

This information is provided based on reasonable inquiry of our suppliers and represents our current actual knowledge based on the information they provided. This information is subject to change. The part numbers that TE has identified as



PCB Mount Header, Right Angle, Wire-to-Board, 6 Position, 4.2 mm [.165 in] Centerline, Fully Shrouded, Tin (Sn), Through Hole - Solder, Power, Natural

EU RoHS compliant have a maximum concentration of 0.1% by weight in homogenous materials for lead, hexavalent chromium, mercury, PBB, PBDE, DBP, BBP, DEHP, DIBP, and 0.01% for cadmium, or qualify for an exemption to these limits as defined in the Annexes of Directive 2011/65/EU (RoHS2). Finished electrical and electronic equipment products will be CE marked as required by Directive 2011/65/EU. Components may not be CE marked. Additionally, the part numbers that TE has identified as EU ELV compliant have a maximum concentration of 0.1% by weight in homogenous materials for lead, hexavalent chromium, and mercury, and 0.01% for cadmium, or qualify for an exemption to these limits as defined in the Annexes of Directive 2000/53/EC (ELV). Regarding the REACH Regulation, the information TE provides on SVHC in articles for this part number is based on the latest European Chemicals Agency (ECHA) 'Guidance on requirements for substances in articles' posted at this URL: <https://echa.europa.eu/guidance-documents/guidance-on-reach>

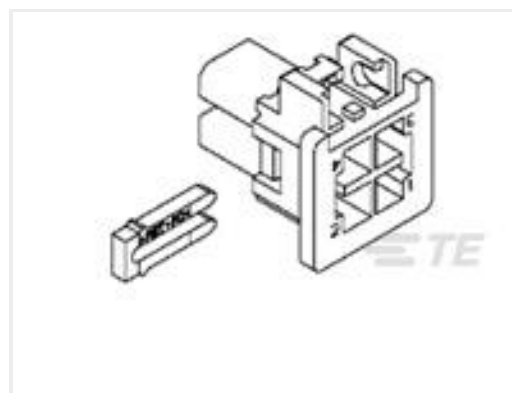
Compatible Parts



TE Part # 1969612-6
6P FH PLUG VAL-U-LOK V0



TE Part # 794153-1
AMP DUAC/PL 06P RECEPTACLE



TE Part # 794319-1
AMP DUAC/PL 06P KIT BULK PKG

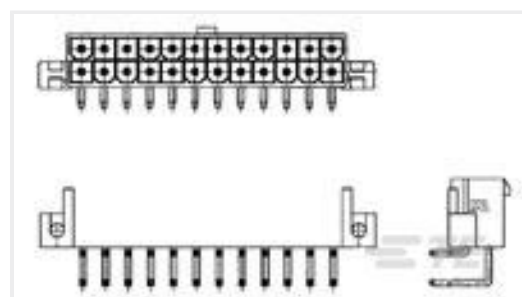


TE Part # 1969613-6
6P PM PLUG VAL-U-LOK V0



TE Part # 1586019-6
6P RCPT VAL-U-LOK V0

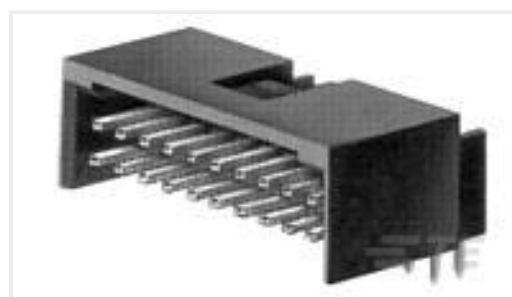
Customers Also Bought



TE Part #1586044-2
2P VAL-U-LOK R/A HDR SCR MT V0



TE Part #1-1393225-9
RY611012



TE Part #5-146247-1
16 MODII HDR DRRRA 3/4 SHRD LF



TE Part #4-1625890-2
2W SM M/OX 5% 33K



TE Part #3-5177986-5
0.8FH,P08H.5,120,08/Sn,TR,SC



TE Part #5749265-1
Mini DIN, 6 pos, R/A, Shield



TE Part #1-2176341-7
CRGCQ 0805 220R 1%



TE Part #1447360-9
3100069=SEALED FINGR 1715EMBOS



PCB Mount Header, Right Angle, Wire-to-Board, 6 Position, 4.2 mm [.165 in]
Centerline, Fully Shrouded, Tin (Sn), Through Hole - Solder, Power, Natural



TE Part #9-215079-0
MICRO-MATCH FOB.20P



TE Part #T4140012051-000
M12,REAR MOUNTING,MALE,A
CODE,5P

Documents

Product Drawings

[6P VAL-U-LOK R/A HDR SCR MT V0](#)

English

CAD Files

[3D PDF](#)

3D

Customer View Model

[ENG_CVM_CVM_1586044-6_A_c-1586044-6-a.2d_dxf.zip](#)

English

Customer View Model

[ENG_CVM_CVM_1586044-6_A_c-1586044-6-a.3d_igs.zip](#)

English

Customer View Model

[ENG_CVM_CVM_1586044-6_A_c-1586044-6-a.3d_stp.zip](#)

English

By downloading the CAD file I accept and agree to the [Terms and Conditions](#) of use.

Datasheets & Catalog Pages

[SOFT_SHELL_PIN_AND_SOCKET_CONNECTORS_CATALOG](#)

English

Product Specifications

[Application Specification](#)

English

Agency Approvals

[UL Report](#)

English

[UL Report](#)

English

OUR CERTIFICATE

DiGi provide top-quality products and perfect service for customer worldwide through standardization, technological innovation and continuous improvement. DiGi through third-party certification, we stricly control the quality of products and services. Welcome your RFQ to

Email: Info@DiGi-Electronics.com



Tel: +00 852-30501935

RFQ Email: Info@DiGi-Electronics.com

DiGi is a global authorized distributor of electronic components.