

1658670-4 Datasheet



<https://www.DiGi-Electronics.com>

DiGi Electronics Part Number	1658670-4-DG
Manufacturer	TE Connectivity AMP Connectors
Manufacturer Product Number	1658670-4
Description	CONN PIN 22-28AWG GOLD CRIMP
Detailed Description	Pin Contact Gold Crimp 22-28 AWG Stamped

This model 1658670-4 is available at DiGi Electronics.

DiGi Electronics offers a global database of semiconductor and electronic component datasheets.

We welcome your inquiries regarding pricing, lead time, or other product-related questions.

 [Request a Quote](#)

 [Datasheet Search](#)



Tel: +00 852-30501935

RFQ Email: Info@DiGi-Electronics.com

DiGi is a global authorized distributor of electronic components.

Purchase and inquiry

Manufacturer Product Number:

1658670-4

Series:

AMPLIMITE HDP-22

Type:

Stamped

Contact Termination:

Crimp

Contact Material:

Brass

Contact Finish Thickness:

Flash

Manufacturer:

TE Connectivity AMP Connectors

Product Status:

Active

Pin or Socket:

Pin

Wire Gauge:

22-28 AWG

Contact Finish:

Gold

Base Product Number:

1658670

Environmental & Export classification

RoHS Status:

ROHS3 Compliant

REACH Status:

Vendor Undefined

HTSUS:

8536.90.4000

Moisture Sensitivity Level (MSL):

1 (Unlimited)

ECCN:

EAR99

1658670-4 ✓ ACTIVE

AMPLIMITE

TE Internal #: 1658670-4

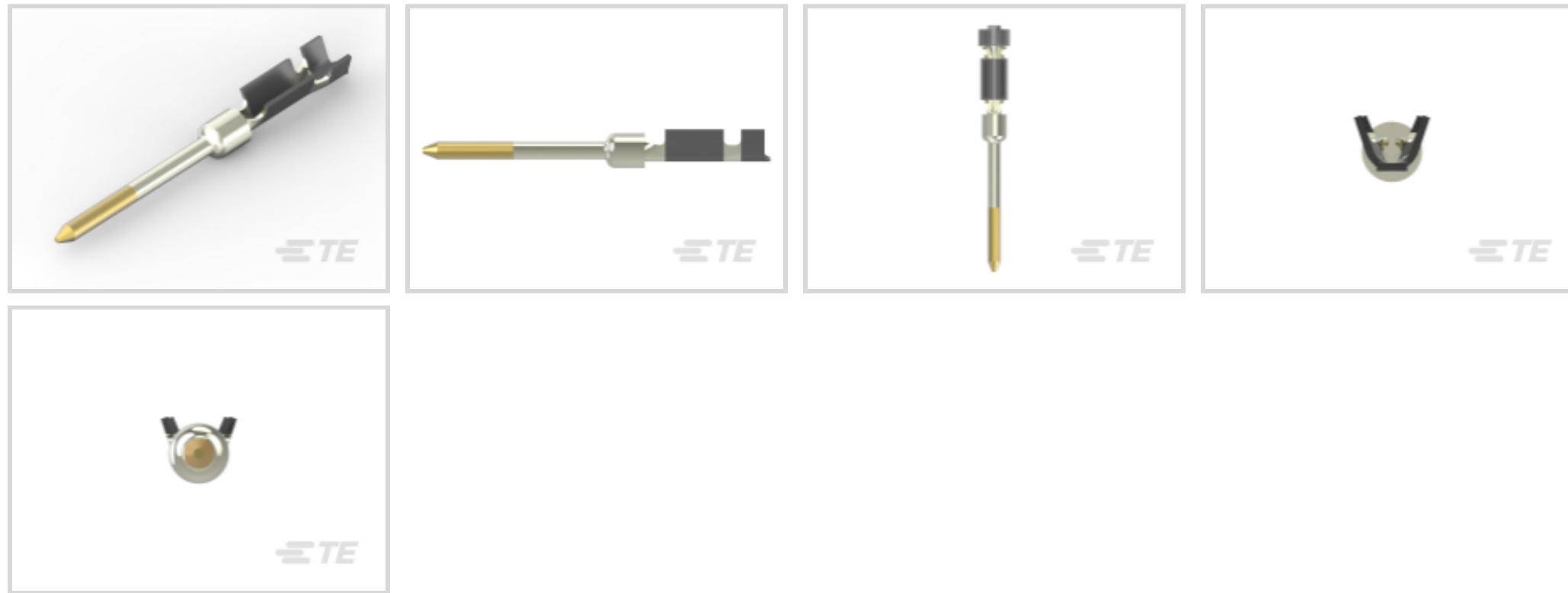
Pin Contact, Gold Flash, Snap-In Contact Retention, Size 22

Contact Size, 28 – 22 AWG, .08 – .4 mm² Wire, Crimp, Brass, Signal

[View on TE.com >](#)



Connectors > Contacts > Connector Contacts > D-Sub Connector Contacts: Pin, Brass, Signal, Size 22



Contact Type: **Pin**

Contact Mating Area Plating Material: **Gold Flash**

Contact Retention Type Within Housing: **Snap-In**

Contact Size: **Size 22**

Wire Size: **28 – 22 AWG**

[All D-Sub Connector Contacts: Pin, Brass, Signal, Size 22 \(6\)](#)

Features

Contact Features

Contact Underplating Material	Nickel
Mating Pin Diameter	.76 mm[.03 in]
PCB Contact Termination Area Plating Material	Tin
	100 μin
Contact Type	Pin
Contact Mating Area Plating Material	Gold Flash
Contact Size	Size 22
Contact Base Material	Brass
Contact Current Rating (Max)	1.9 A

Termination Features

Termination Method to Wire & Cable	Crimp
Product Terminates To	Wire & Cable

Mechanical Attachment



Pin Contact, Gold Flash, Snap-In Contact Retention, Size 22 Contact Size, 28 – 22 AWG, .08 – .4 mm² Wire, Crimp, Brass, Signal

Wire Insulation Support	With
-------------------------	------

Contact Retention Type Within Housing	Snap-In
---------------------------------------	---------

Dimensions

Compatible Insulation Diameter Range	.76 – 1.02 mm [.03 – .04 in]
--------------------------------------	------------------------------

Wire Size	.08 – .4 mm ²
-----------	--------------------------

Usage Conditions

Operating Temperature Range	-55 – 105 °C [-67 – 221 °F]
-----------------------------	-----------------------------

Operation/Application

Circuit Application	Signal
---------------------	--------

Identification Marking

Contact Color Code	Green
--------------------	-------

Packaging Features

Packaging Method	Loose Piece
------------------	-------------

Packaging Quantity	1000
--------------------	------

Product Compliance

[For compliance documentation, visit the product page on TE.com>](#)

EU RoHS Directive 2011/65/EU	Compliant
------------------------------	-----------

EU ELV Directive 2000/53/EC	Compliant
-----------------------------	-----------

China RoHS 2 Directive MIIT Order No 32, 2016	No Restricted Materials Above Threshold
---	---

EU REACH Regulation (EC) No. 1907/2006	Current ECHA Candidate List: JAN 2025 (247) Candidate List Declared Against: JUNE 2024 (241) Does not contain REACH SVHC
--	--

Halogen Content	Low Halogen - Br, Cl, F, I < 900 ppm per homogenous material. Also BFR/CFR/PVC Free
-----------------	---

Solder Process Capability	Not applicable for solder process capability
---------------------------	--

Product Compliance Disclaimer

This information is provided based on reasonable inquiry of our suppliers and represents our current actual knowledge based on the information they provided. This information is subject to change. The part numbers that TE has identified as EU RoHS compliant have a maximum concentration of 0.1% by weight in homogenous materials for lead, hexavalent chromium, mercury, PBB, PBDE, DBP, BBP, DEHP, DIBP, and 0.01% for cadmium, or qualify for an exemption to these limits as defined in the Annexes of Directive 2011/65/EU (RoHS2). Finished electrical and electronic equipment products will be CE marked as required by Directive 2011/65/EU. Components may not be CE marked. Additionally, the part numbers that TE has identified as EU ELV compliant have a maximum concentration of 0.1% by weight in homogenous materials for lead, hexavalent chromium, and mercury, and 0.01% for cadmium, or qualify for an exemption to these limits



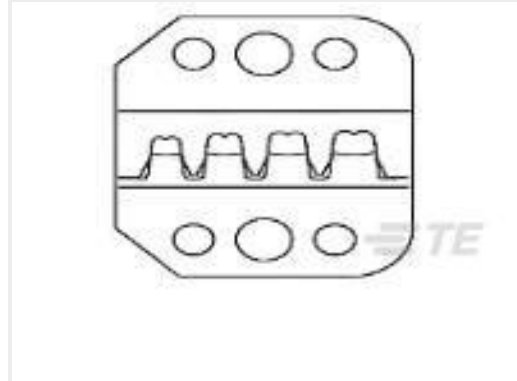
Pin Contact, Gold Flash, Snap-In Contact Retention, Size 22 Contact Size, 28 – 22 AWG, .08 – .4 mm² Wire, Crimp, Brass, Signal

as defined in the Annexes of Directive 2000/53/EC (ELV). Regarding the REACH Regulation, the information TE provides on SVHC in articles for this part number is based on the latest European Chemicals Agency (ECHA) 'Guidance on requirements for substances in articles' posted at this URL: <https://echa.europa.eu/guidance-documents/guidance-on-reach>

Compatible Parts



TE Part # 91520-1
CCI AMPLIMITE HDP-22 PIN SKT 28-22 ASSY



TE Part # 90800-2
DIE ASSEMBLY



TE Part # 90800-1
PROCRIMPER TOOL & DIE

Customers Also Bought



TE Part #1658674-1
HDP-22, PLUG, SIZE 5, 78 POSN



TE Part #1-2308346-1
FULL METAL HOODS SIZE 5



TE Part #BSA200N00420235000
923 PLUG



TE Part #1-826662-0
10P AMPMODU II STIFTLER



TE Part #1-120527-1
1FHP, 64, 50A/P, S, N, S10, 12, 13, 15



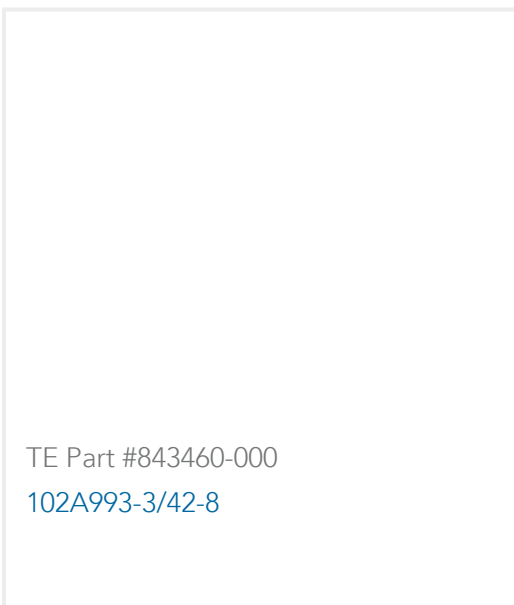
TE Part #1658656-1
KIT, HDP-20, ENCLSR, RCPT, SIZE 2



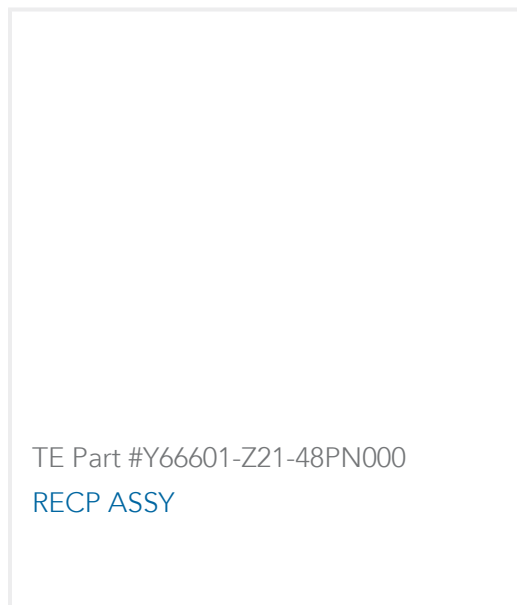
TE Part #1-2308342-1
FULL METAL HOODS SIZE 3



TE Part #1658678-1
KIT, HDP-22, ENCLSR, PLUG, SIZE 1



TE Part #843460-000
102A993-3/42-8



TE Part #Y66601-Z21-48PN000
RECP ASSY

Documents

[CAD Files](#)

[3D PDF](#)

[3D](#)



Pin Contact, Gold Flash, Snap-In Contact Retention, Size 22 Contact Size, 28 – 22 AWG, .08 – .4 mm² Wire, Crimp, Brass, Signal

Customer View Model

[ENG_CVM_CVM_1658670-4_D.2d_dxf.zip](#)

English

Customer View Model

[ENG_CVM_CVM_1658670-4_D.3d_igs.zip](#)

English

Customer View Model

[ENG_CVM_CVM_1658670-4_D.3d_stp.zip](#)

English

By downloading the CAD file I accept and agree to the [Terms and Conditions](#) of use.

Datasheets & Catalog Pages

[AMPLIMITE Subminiature D Connectors - Cable Connectors](#)

English

[AMPLIMITE Cable Connectors and Shielding Hardware Kits QRG](#)

English

Product Specifications

[Application Specification](#)

English

Instruction Sheets

[Instruction Sheet \(U.S.\)](#)

English

OUR CERTIFICATE

DiGi provide top-quality products and perfect service for customer worldwide through standardization, technological innovation and continuous improvement. DiGi through third-party certification, we stricly control the quality of products and services. Welcome your RFQ to

Email: Info@DiGi-Electronics.com



Tel: +00 852-30501935

RFQ Email: Info@DiGi-Electronics.com

DiGi is a global authorized distributor of electronic components.