



AUTHORIZED DISTRIBUTOR

<https://www.DiGi-Electronics.com>

2302501-1 Datasheet

DiGi Electronics Part Number	2302501-1-DG
Manufacturer	TE Connectivity AMP Connectors
Manufacturer Product Number	2302501-1
Description	6POS,NANOMQS,REC HSG,COD A

Detailed Description Uncategorized

This model 2302501-1 is available at DiGi Electronics.

DiGi Electronics offers a global database of semiconductor and electronic component datasheets.

We welcome your inquiries regarding pricing, lead time, or other product-related questions.

 [Request a Quote](#)

 [Datasheet Search](#)

Tel: +00 852-30501935

RFQ Email: Info@DiGi-Electronics.com

DiGi is a global authorized distributor of electronic components.



Purchase and inquiry

Manufacturer Product Number:

2302501-1

Series:

*

Base Product Number:

2302501

Manufacturer:

TE Connectivity AMP Connectors

Product Status:

Active

Environmental & Export classification

Moisture Sensitivity Level (MSL):

Not Applicable

REACH Status:

REACH Unaffected

LOC PROJECT		REVISONS		DATE	OWN	APVD
A1	-	DESCRIPTION	DESCRIPTION			
		SEE SHEET 1				

4 polig/POS.

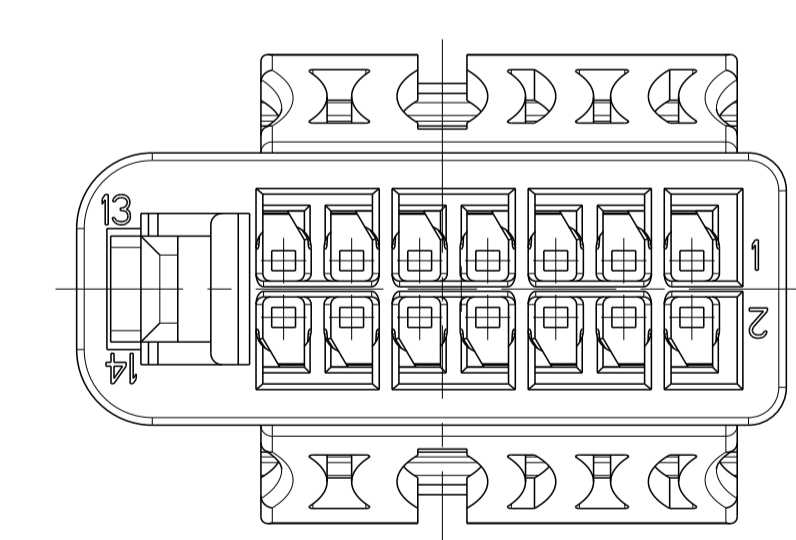
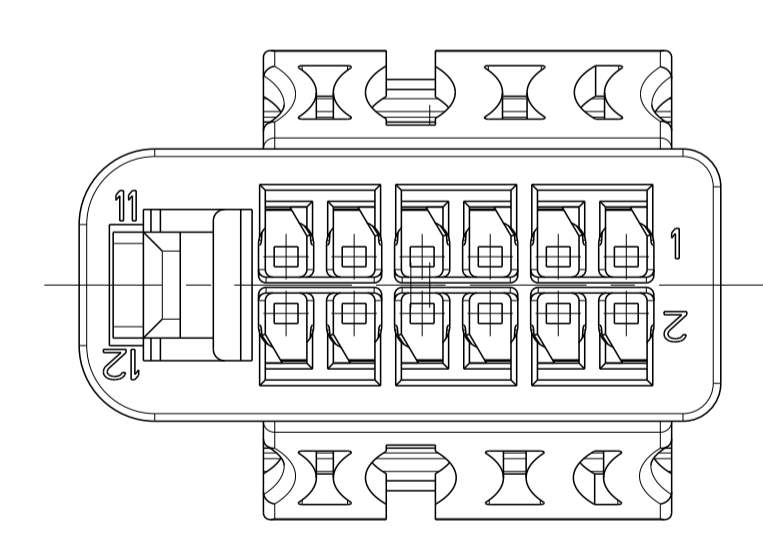
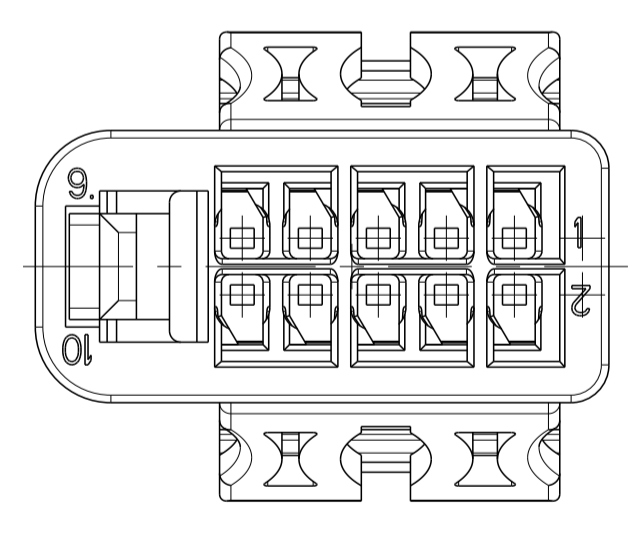
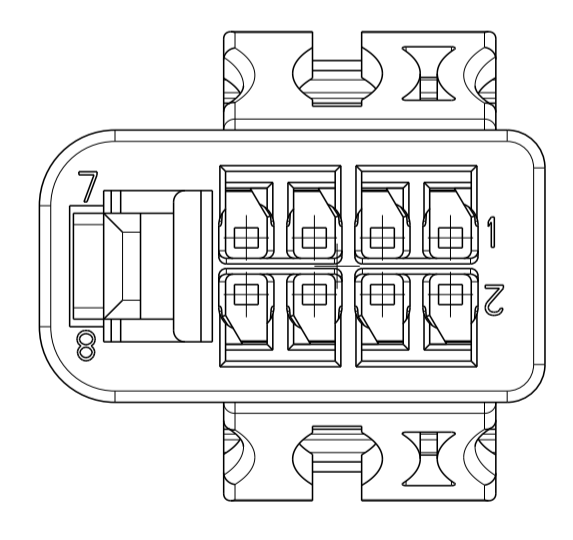
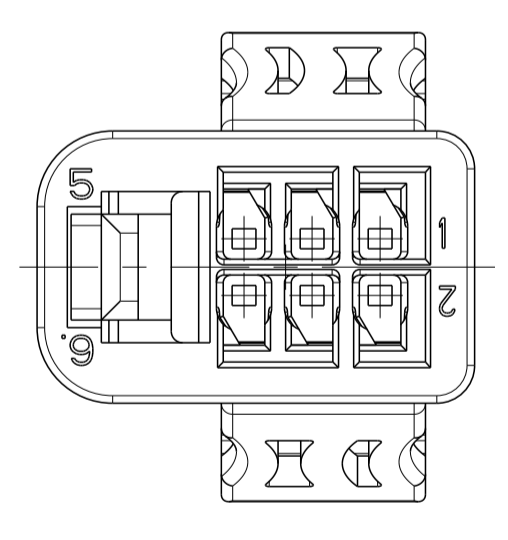
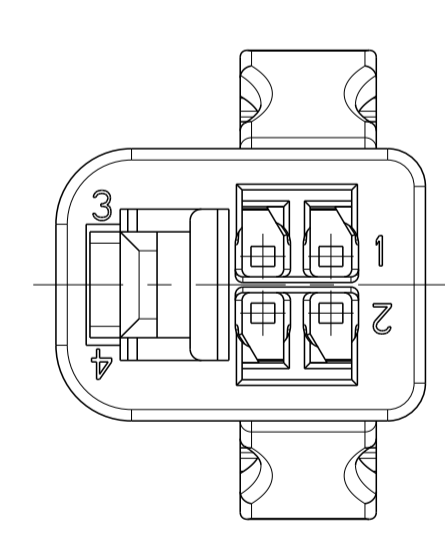
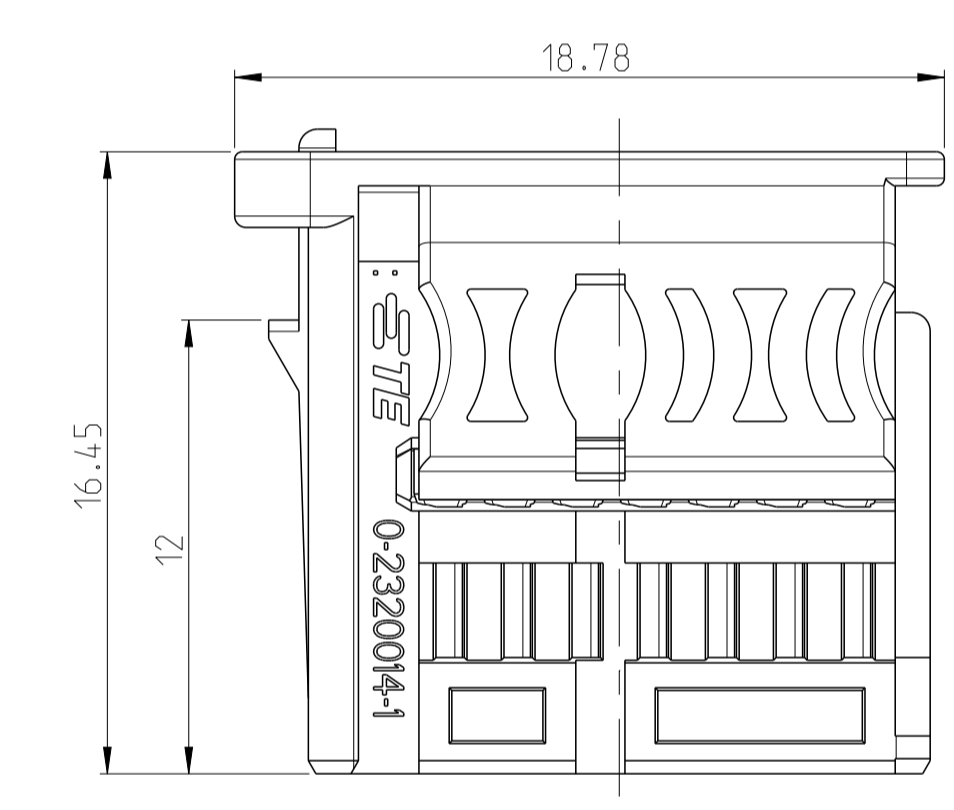
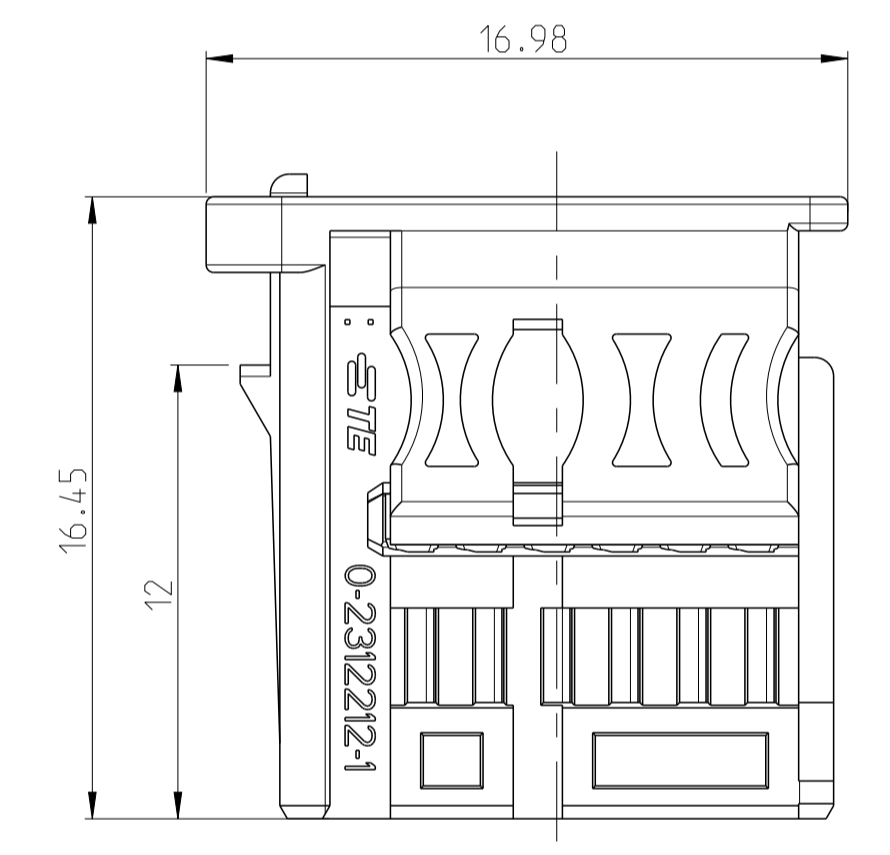
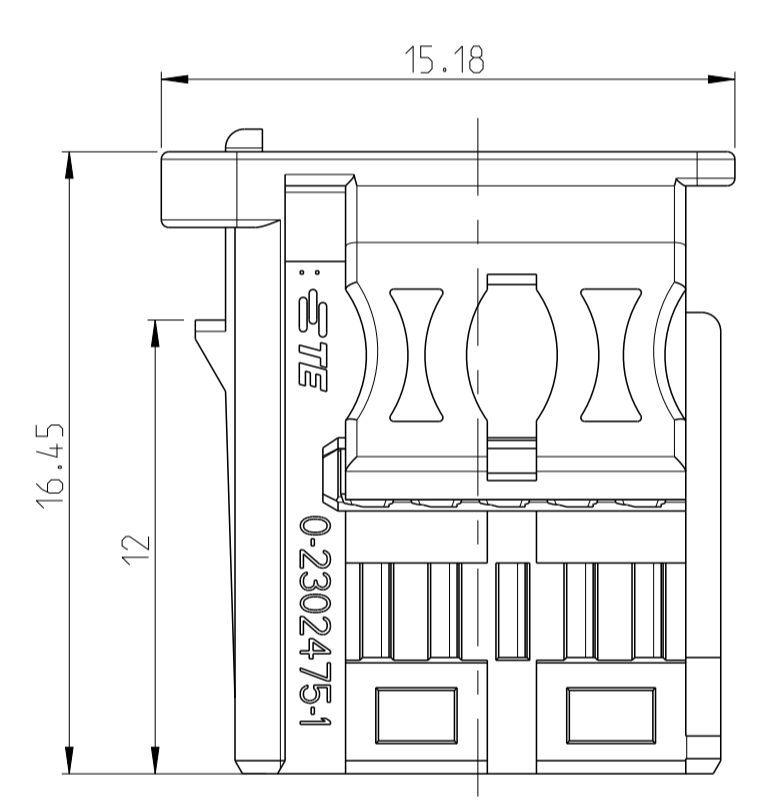
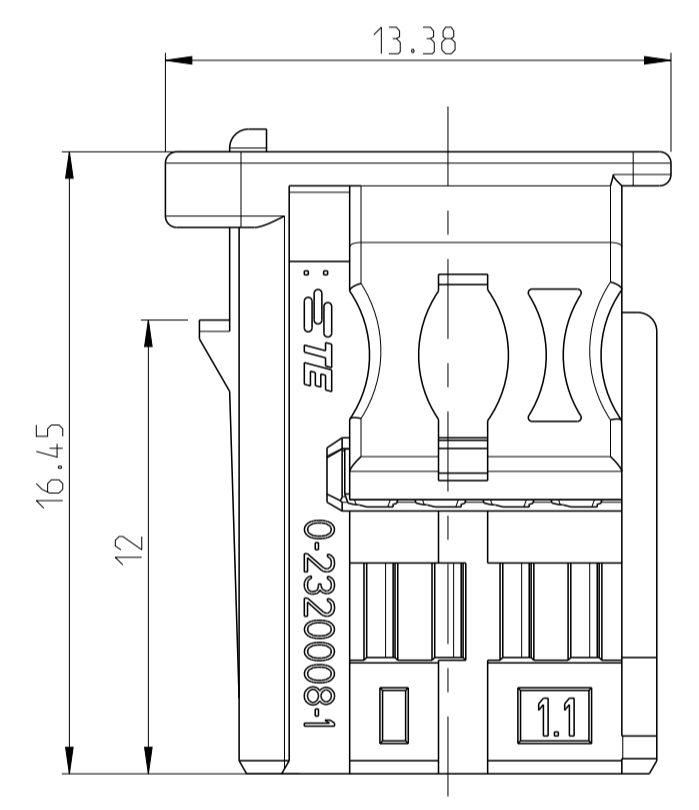
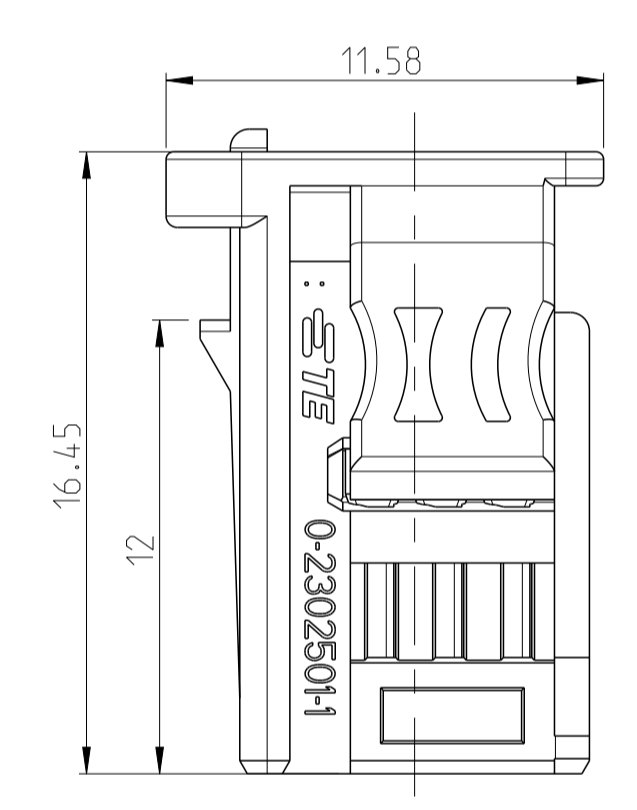
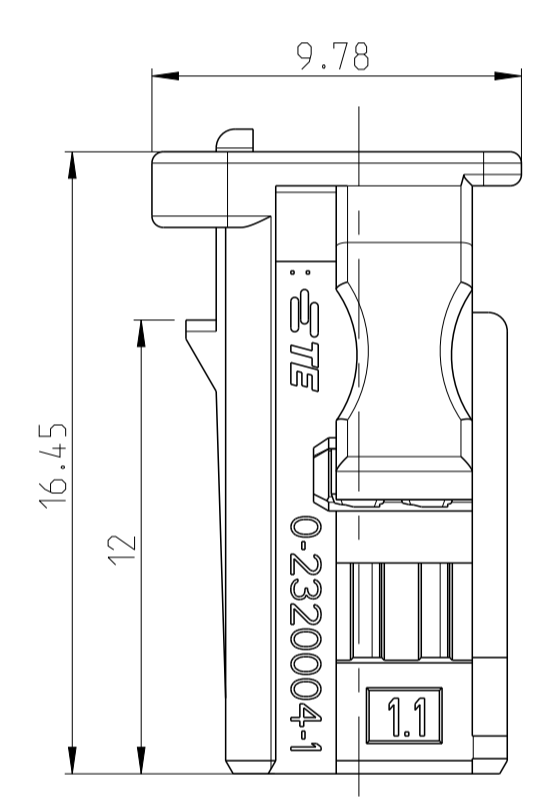
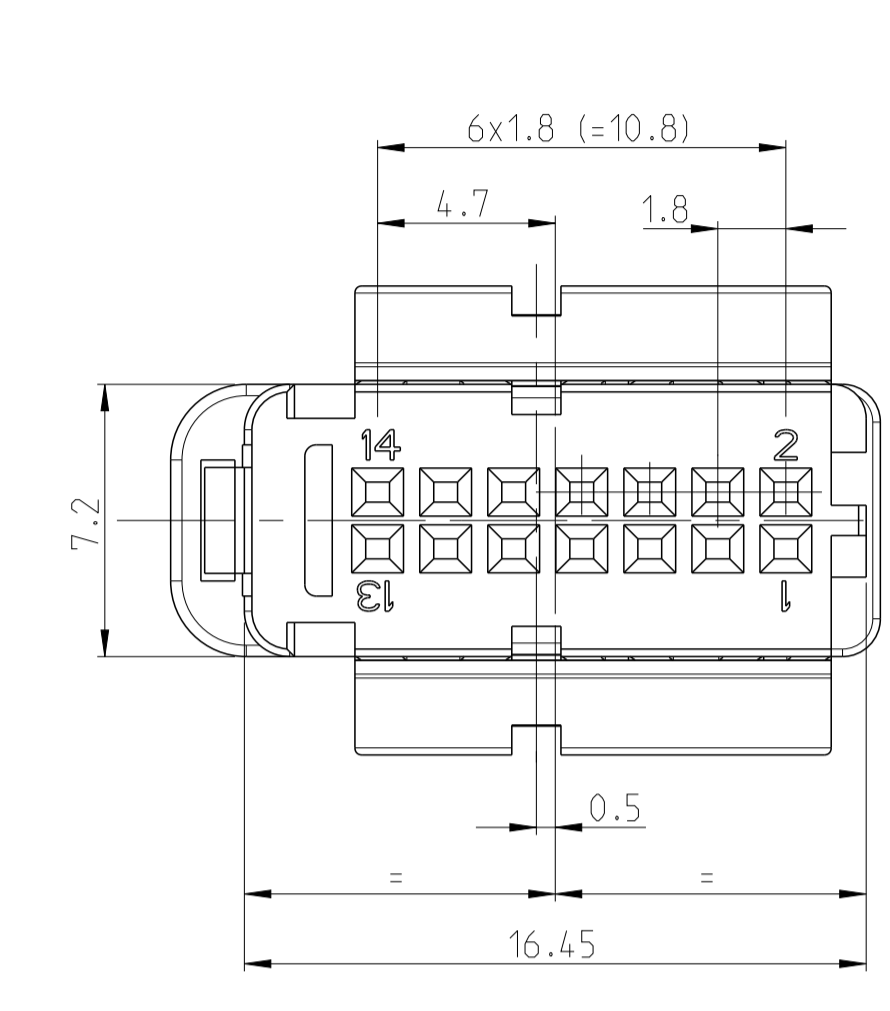
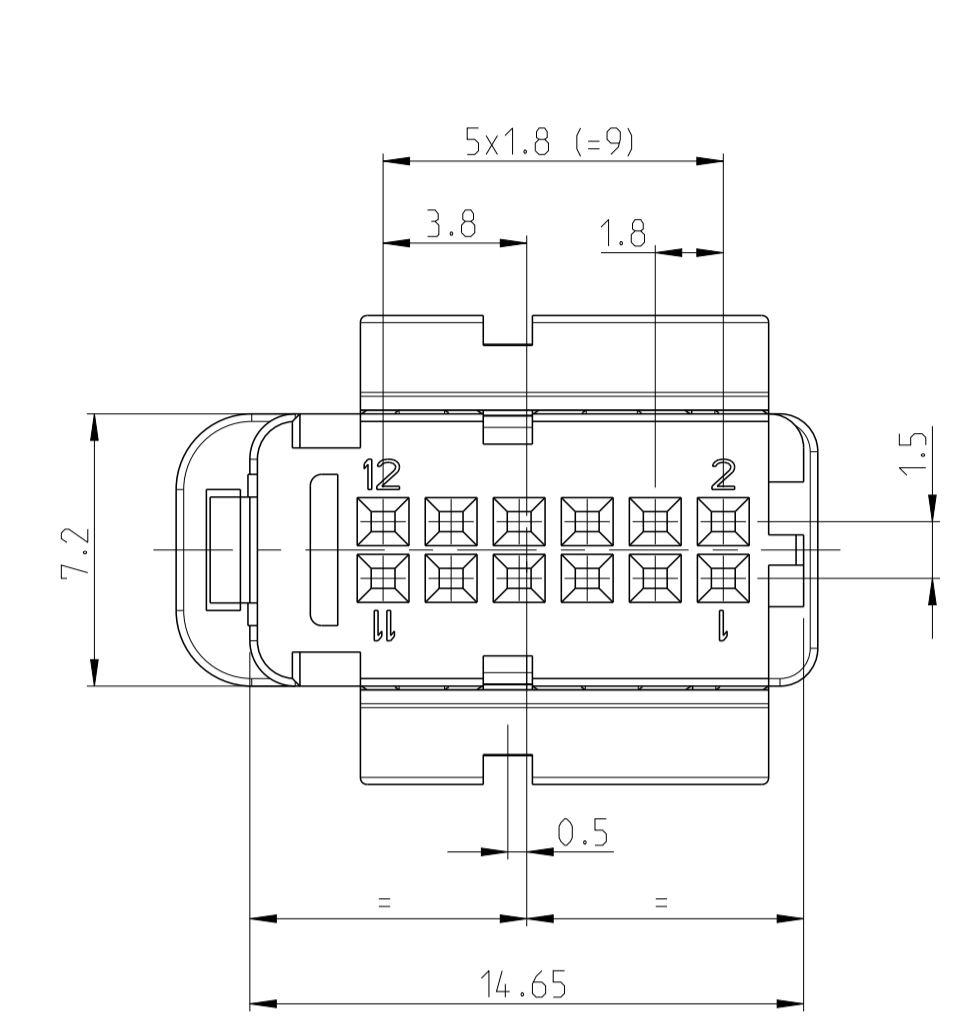
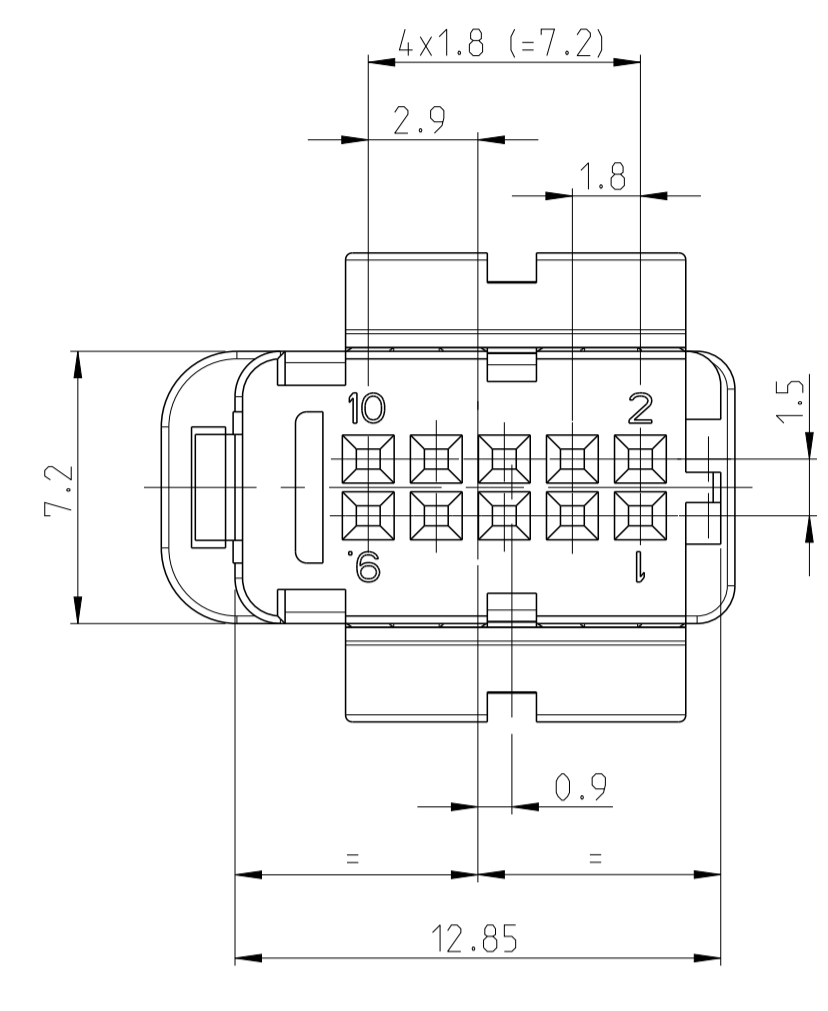
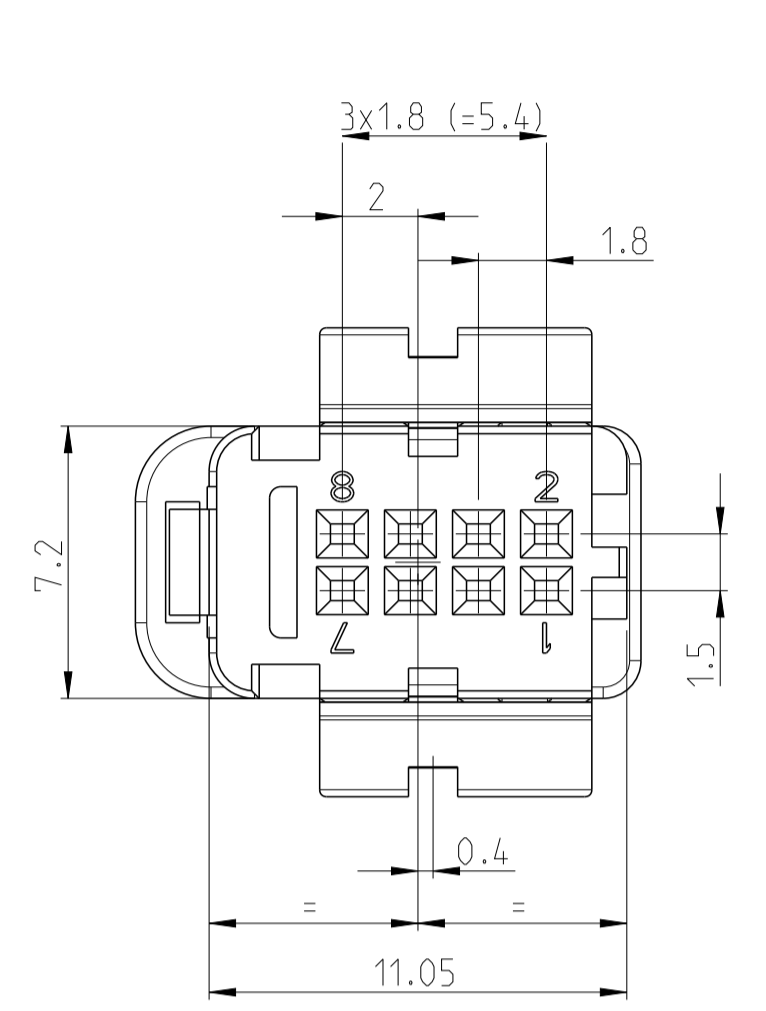
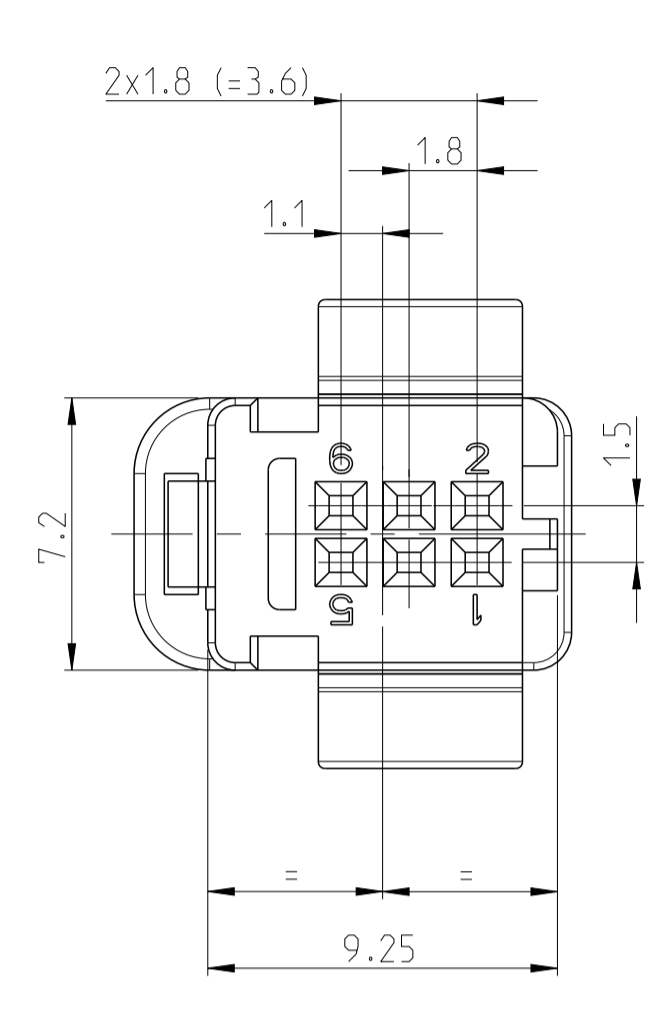
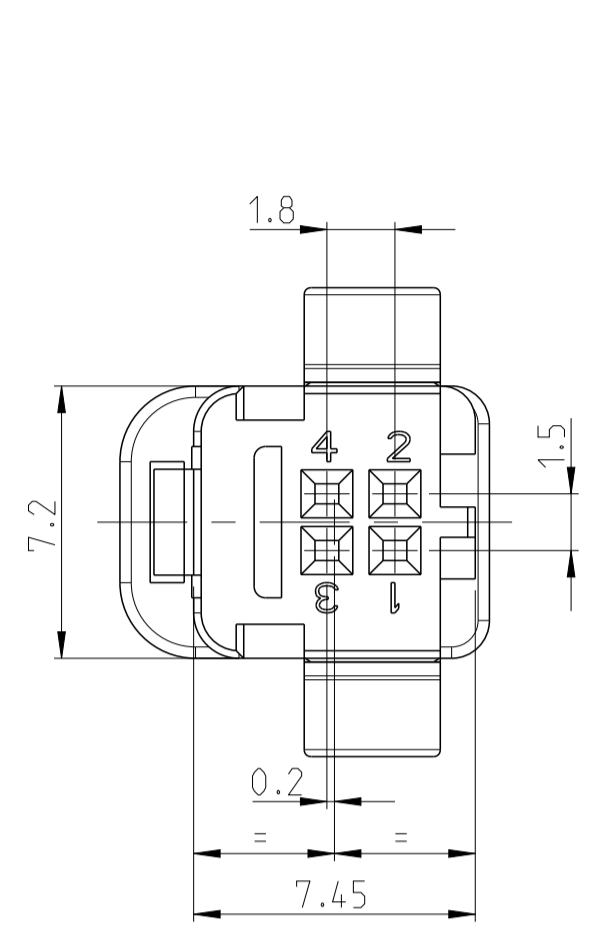
6 polig/POS.

8 polig/POS.

10 polig/POS.

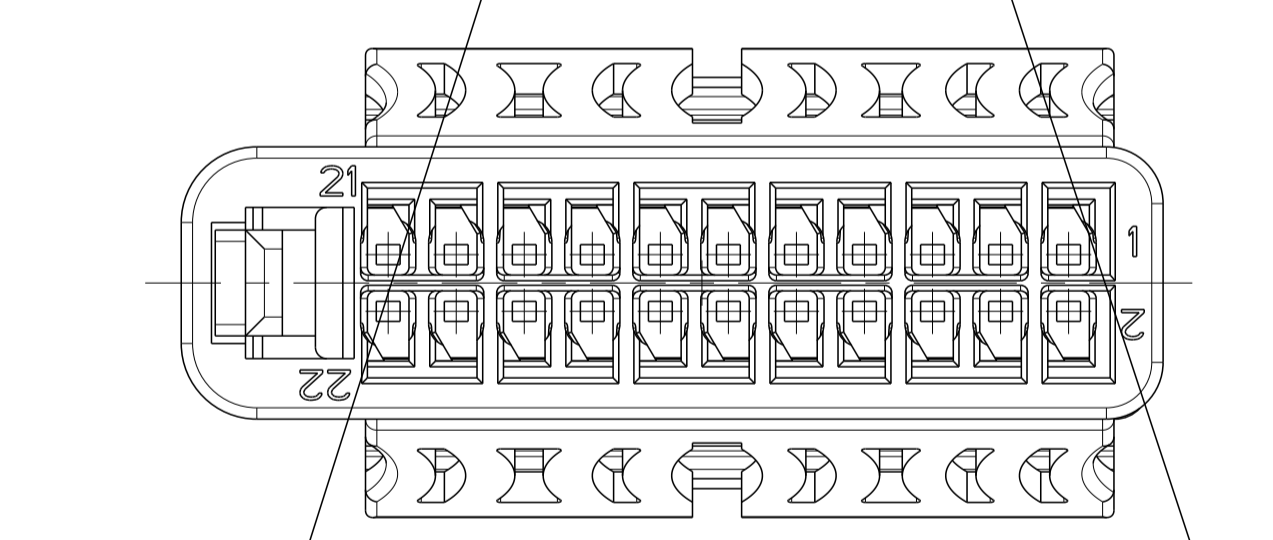
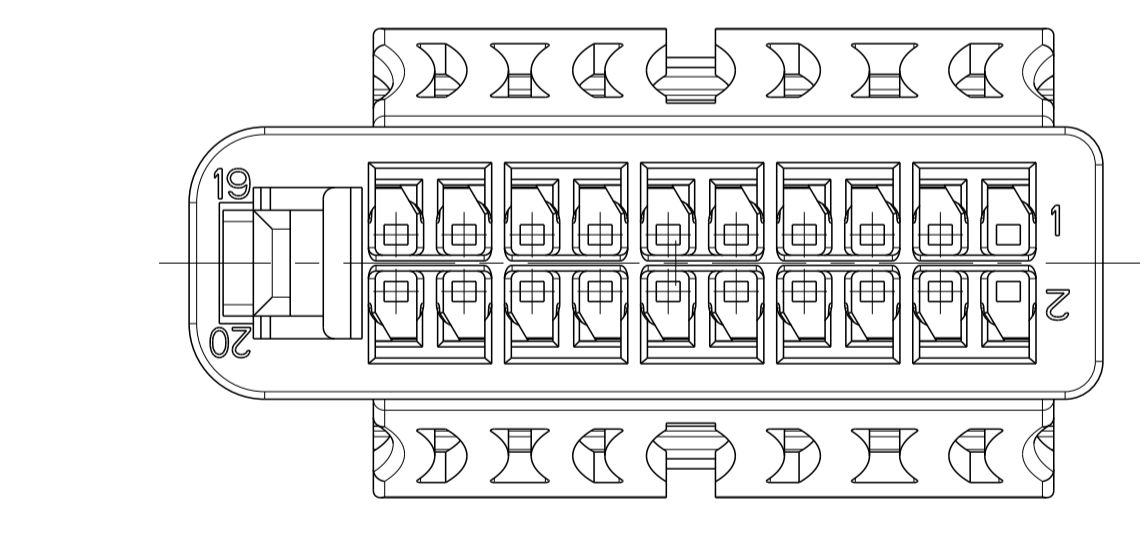
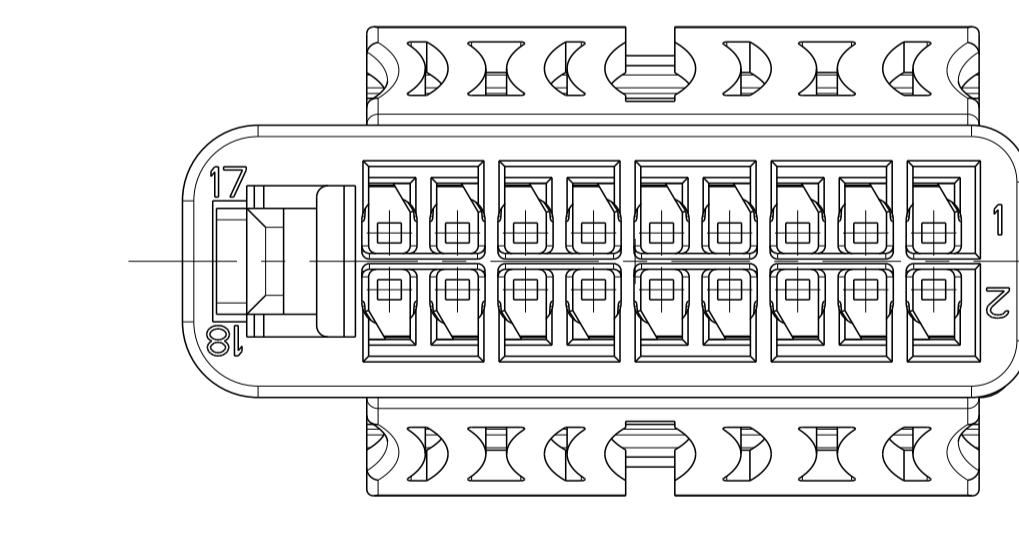
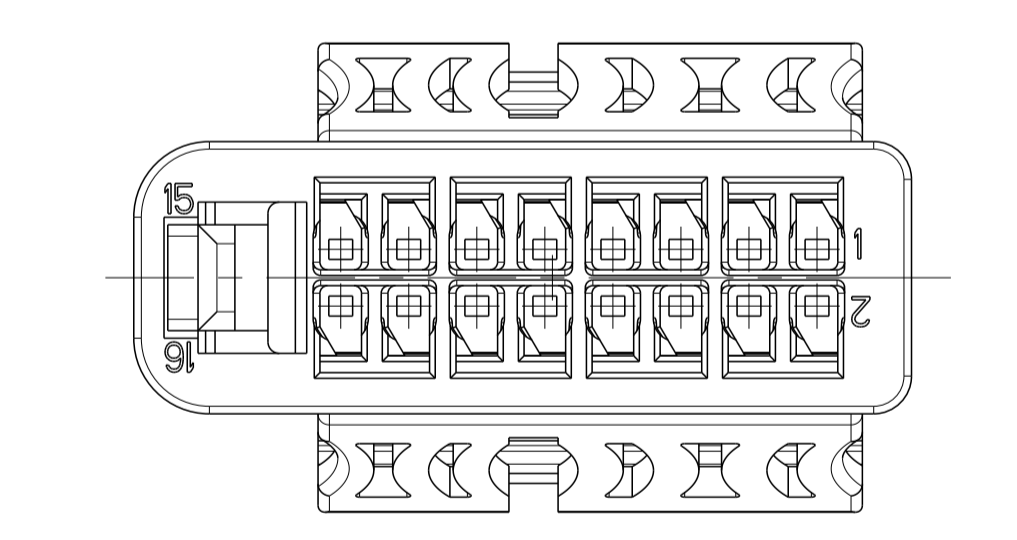
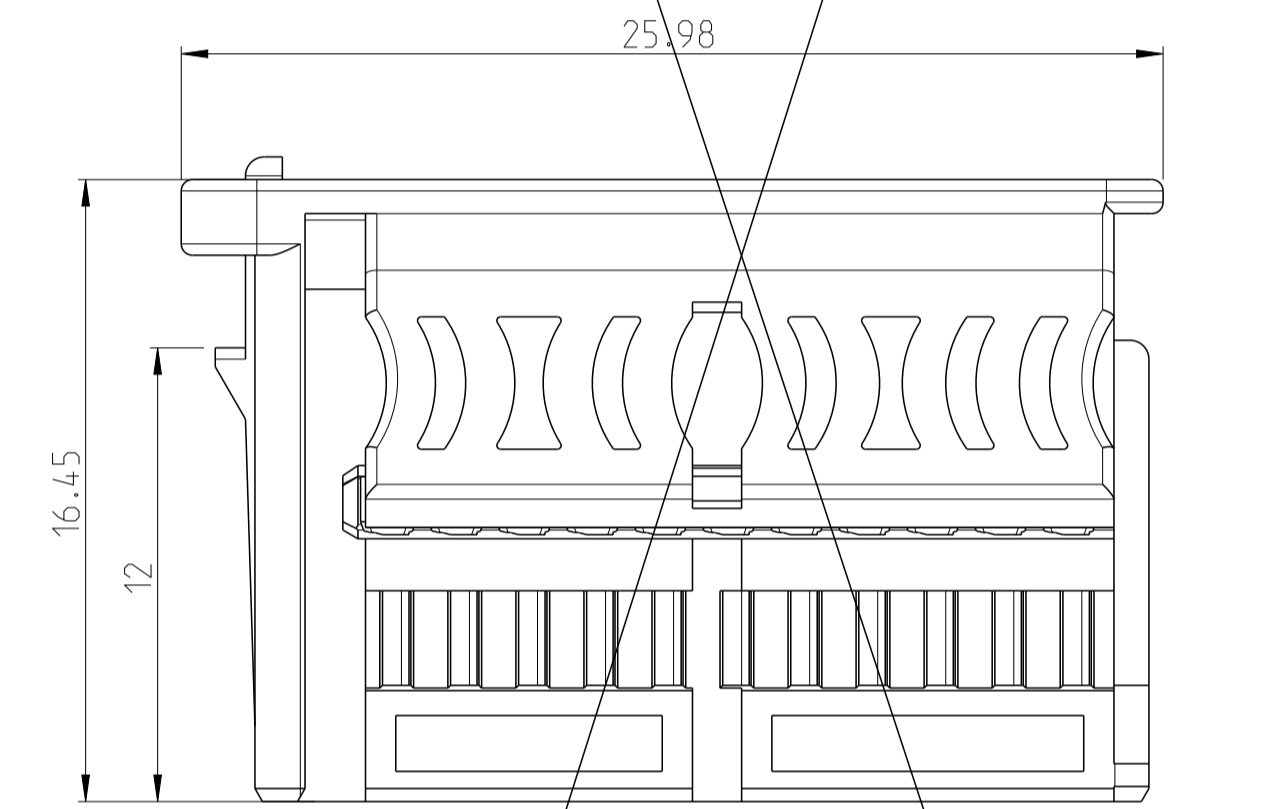
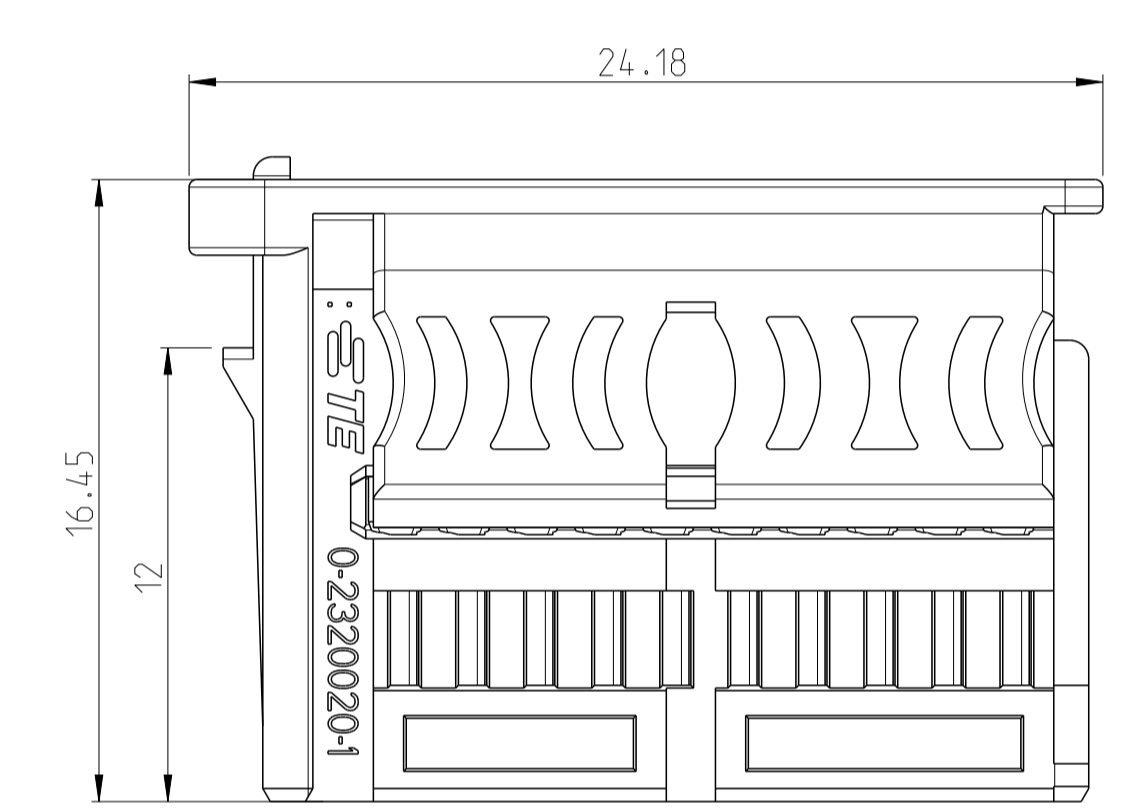
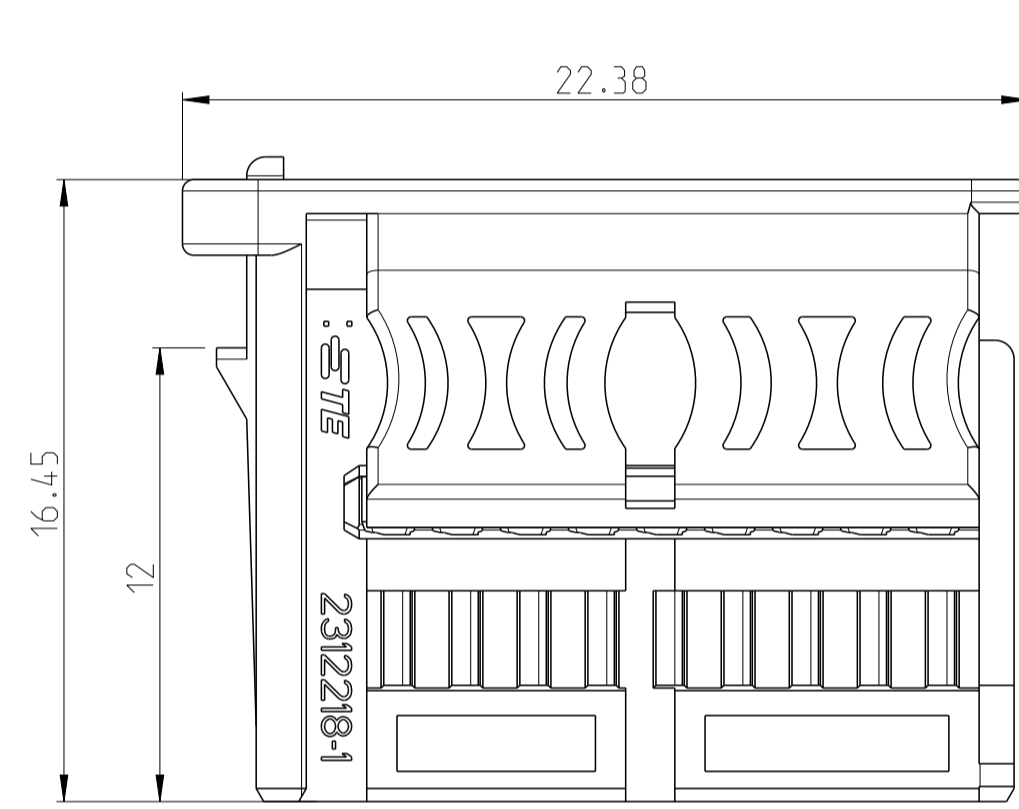
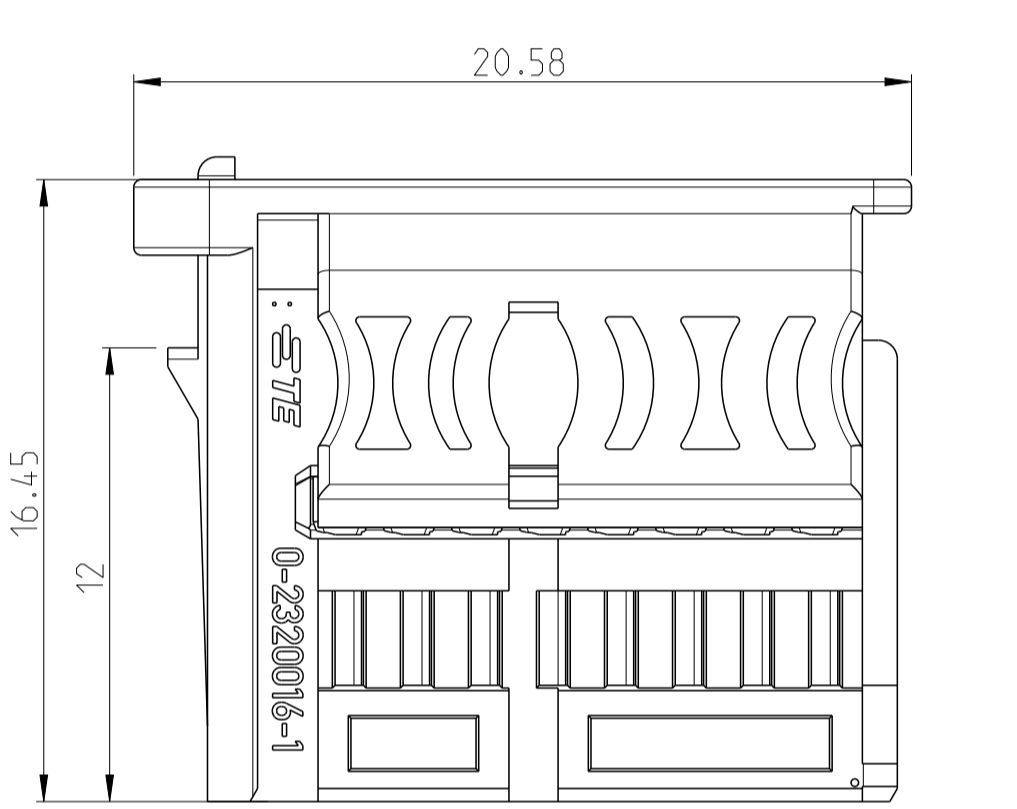
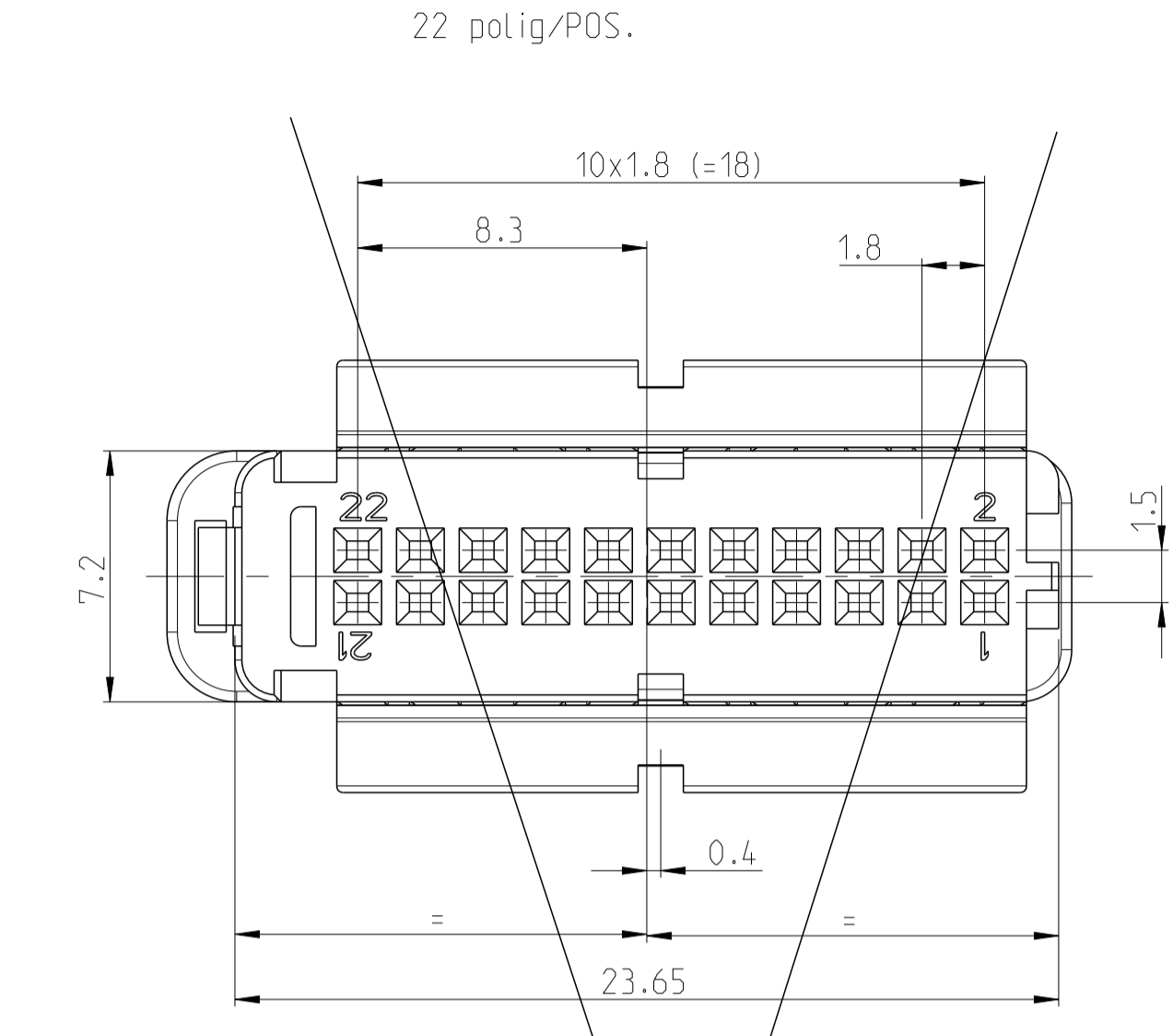
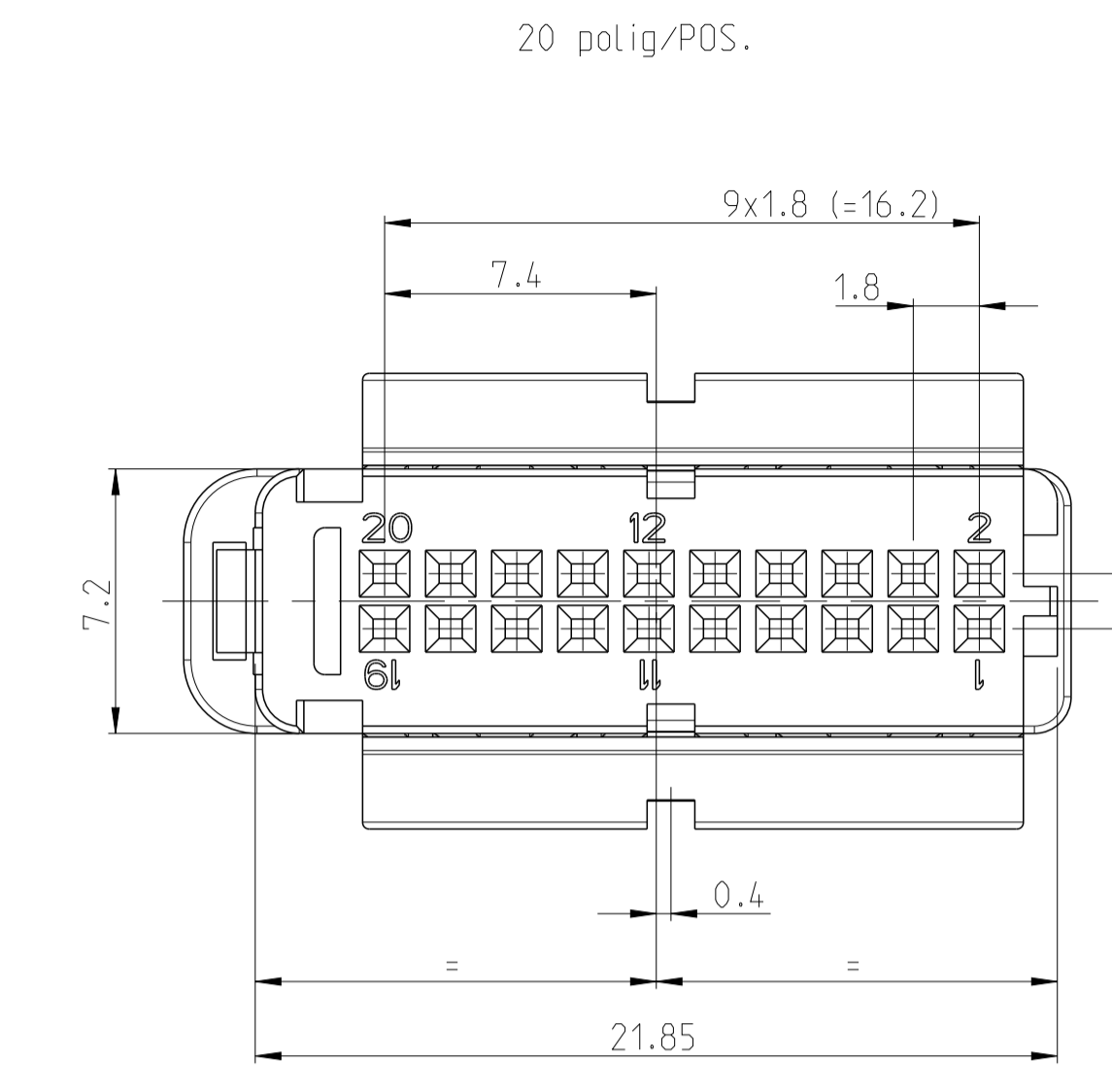
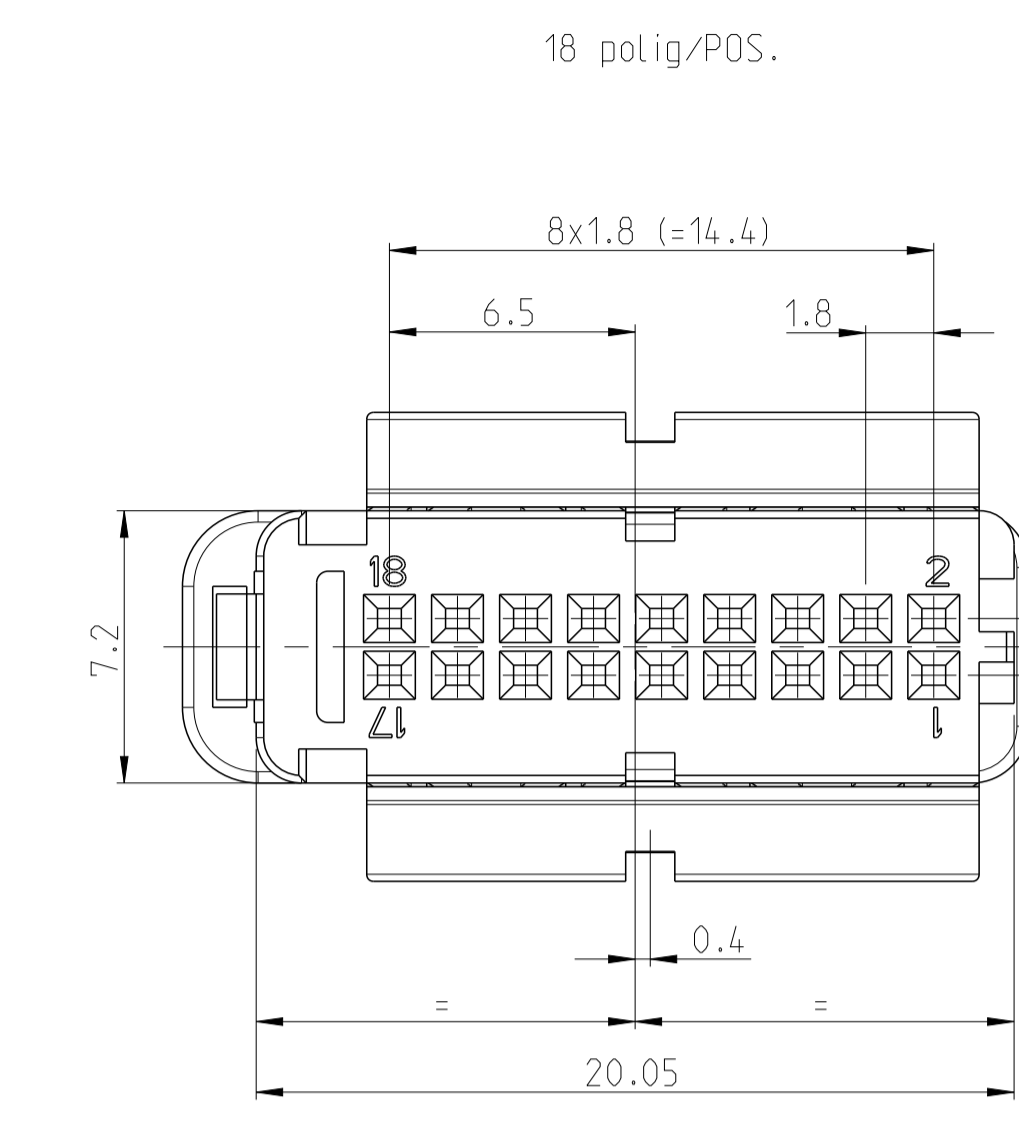
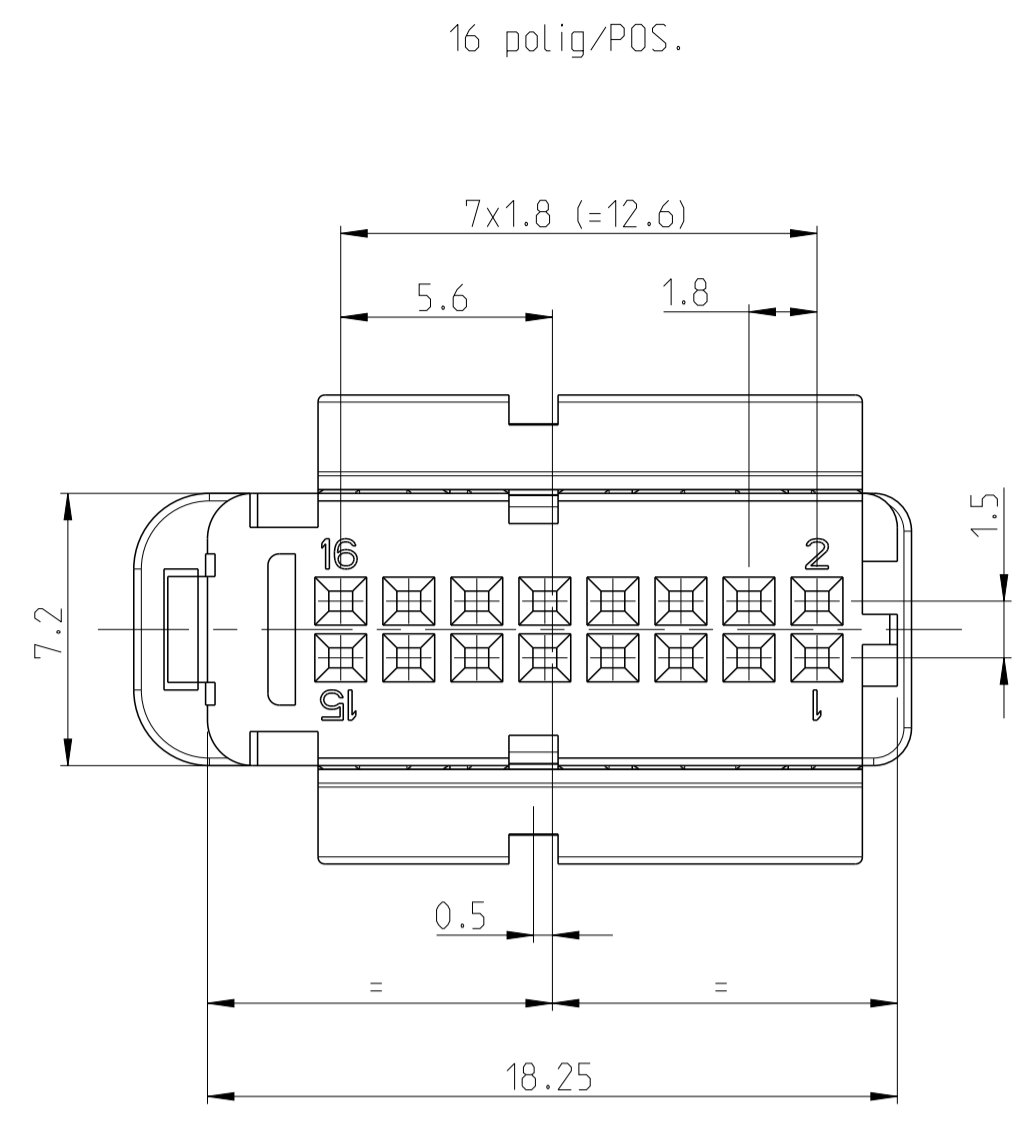
12 polig/POS.

14 polig/POS.



DIESE ZEICHNUNG IST EIN KONTROLLIERTES DOKUMENT. BEMASSUNGEN UND TOLERANZEN GEMAESS GPS (ISO STANDARDS).		THIS DRAWING IS A CONTROLLED DOCUMENT. DIMENSIONING AND TOLERANCING PER GPS (ISO STANDARDS).		DIMENSIONS: MASSENHEITEN: mm		TOLERANCES UNLESS OTHERWISE SPECIFIED: ALL DIMENSIONS		PRODUCT SPEC PRODUCT SPEC APPLICATION SPEC VERARBEITUNGSPEC. ANGLE/SCHWIMMEL		FINISH/BOEFLECH/FARBE SEE SHEET 1 siehe Blatt 1		WEIGHT GEWICHT SEE SHEET 1 siehe Blatt 1		CUSTOMER DRAWING /KUNDENZEICHNUNG	
0 PLC ± 1 PLC ± 2 PLC ± 3 PLC ± 4 PLC ±		± ± ± ± ±		± ± ± ± ±		± ± ± ± ±		± ± ± ± ±		± ± ± ± ±		± ± ± ± ±		± ± ± ± ±	
MATERIAL SEE SHEET 1 siehe Blatt 1		DIMENSIONS: MASSENHEITEN: mm		TOLERANCES UNLESS OTHERWISE SPECIFIED: ALL DIMENSIONS		PRODUCT SPEC PRODUCT SPEC APPLICATION SPEC VERARBEITUNGSPEC. ANGLE/SCHWIMMEL		FINISH/BOEFLECH/FARBE SEE SHEET 1 siehe Blatt 1		WEIGHT GEWICHT SEE SHEET 1 siehe Blatt 1		CUSTOMER DRAWING /KUNDENZEICHNUNG		SCALE MASSSTAB 5:1	
SIZE A1		CAGE CODE 00779		DRAWING NO. 2303280		NAME 4-22 pol., NanoMQS, Buchsengehaeuse 4-22 POS., NanoMQS, REC. HOUSING		RESTRICTED TO NUR FÜR		SHEET BLATT 2		OF VON 3		REV A1	

LOC PROJECT		REVISIONS			
P	LTA	DESCRIPTION	DATE	DWN	APVD
rev_sym_1	1566	Defin T1	rev_date	rev_dwn	rev_appr_1
rev_sym_2	rev_desc_2		rev_date	rev_dwn	rev_appr_2
rev_sym_3	rev_desc_3		rev_date	rev_dwn	rev_appr_3
rev_sym_4	rev_desc_4		rev_date	rev_dwn	rev_appr_4

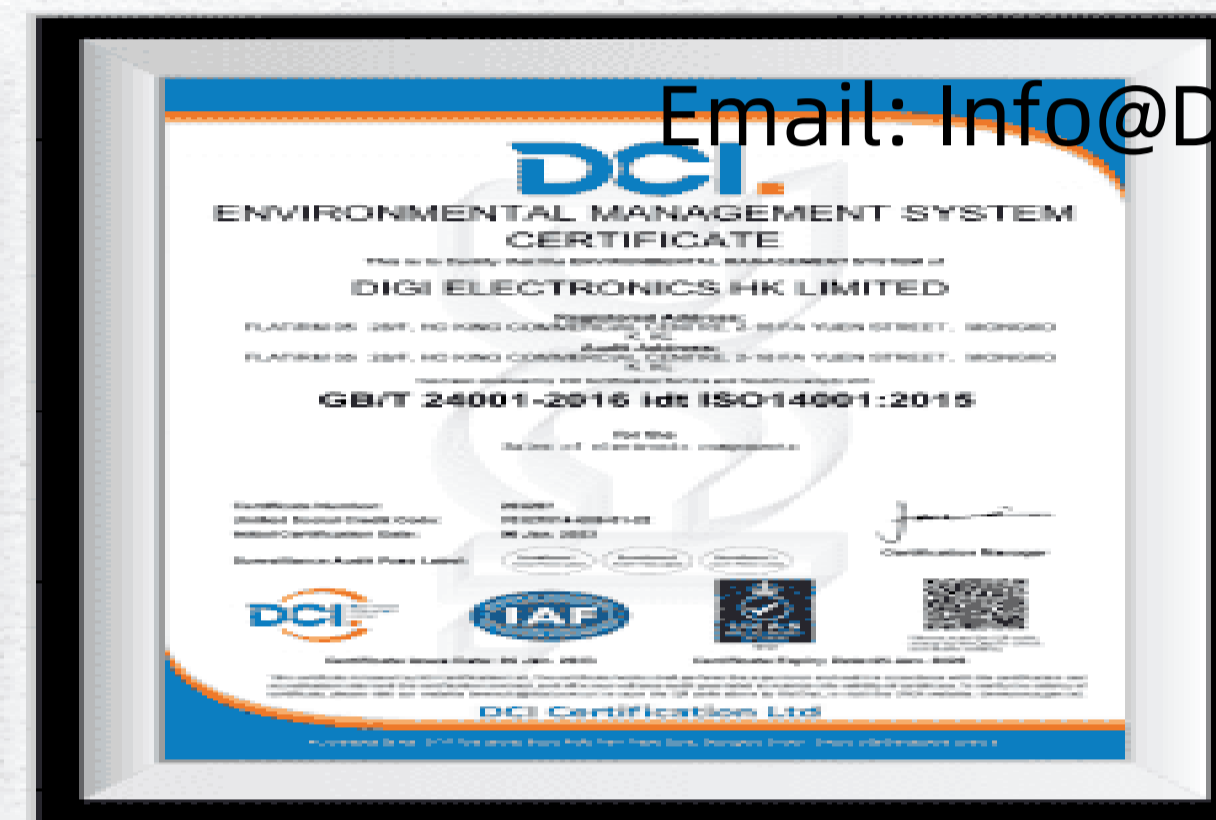
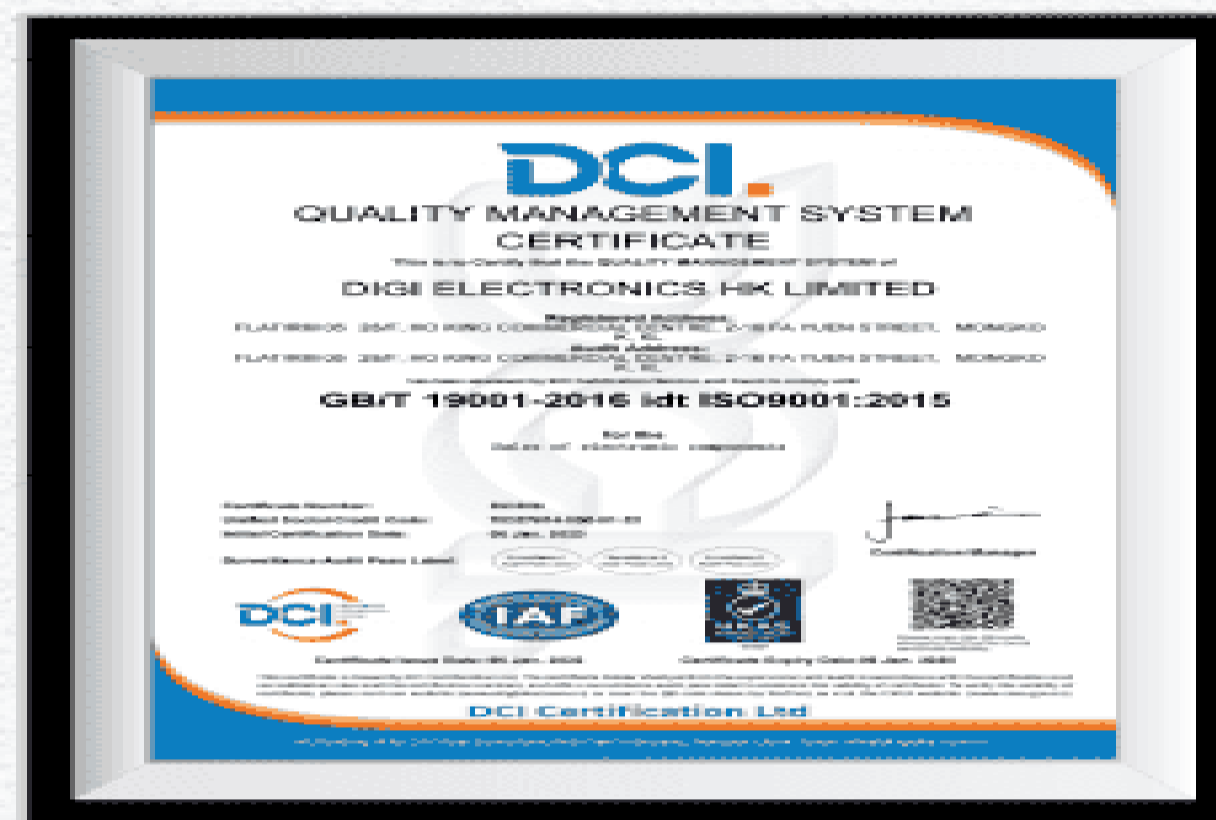


DIESE ZEICHNUNG IST EIN KONTROLLIERTES DOKUMENT. BEMASSUNGEN UND TOLERANZEN GEMÄSS GPS (ISO STANDARDS).		THIS DRAWING IS A CONTROLLED DOCUMENT. DIMENSIONING AND TOLERANCING PER GPS (ISO STANDARDS).		DWN: M. Stein, 23MAR2016 CHK: C. Boemmel, 23MAR2016	
DIMENSIONS: MASSENHEN: mm	TOLERANCES UNLESS OTHERWISE SPECIFIED: ALL DIMENSIONS	PRODUCT SPEC PRODUCT SPEC: 108-94288-0	APPLICATION SPEC VERARBEITUNGSSPEZ. 114-94033	SIZE: A1	RESTRICTED TO: NUR FÜR: -
MATERIAL: SEE SHEET 1	FINISH/BEFLACHE/FARBE: SEE SHEET 1 siehe Blatt 1	WEIGHT GEWICHT: SEE TABLE	CUSTOMER DRAWING	SCALE: 5:1	SHEET: 3 OF 3
Size ISO 14405 TOLERANCING ISO 8015 TOLERIERUNG ISO 8015			NAME: 4-22 pol., NanoMQS, Buchsengehäuse 4-22 POS., NanoMQS, REC. HOUSING		
MATERIAL: SEE SHEET 1 FINISH/BEFLACHE/FARBE: SEE SHEET 1 siehe Blatt 1			WEIGHT GEWICHT: SEE TABLE		

OUR CERTIFICATE

DiGi provide top-quality products and perfect service for customer worldwide through standardization, technological innovation and continuous improvement. DiGi through third-party certification, we stricy control the quality of products and services. Welcome your RFQ to

Email: Info@DiGi-Electronics.com



Tel: +00 852-30501935

RFQ Email: Info@DiGi-Electronics.com

DiGi is a global authorized distributor of electronic components.