

# 52956-1 Datasheet



<https://www.DiGi-Electronics.com>

DiGi Electronics Part Number	52956-1-DG
Manufacturer	<a href="#">TE Connectivity AMP Connectors</a>
Manufacturer Product Number	52956-1
Description	CONN SPADE TERM 14-16AWG #8 BLU
Detailed Description	Blue 8 Stud Spade Terminal Connector Crimp 14-16 AWG

This model 52956-1 is available at DiGi Electronics.

DiGi Electronics offers a global database of semiconductor and electronic component datasheets.

We welcome your inquiries regarding pricing, lead time, or other product-related questions.

 [Request a Quote](#)

 [Datasheet Search](#)



Tel: +00 852-30501935

RFQ Email: [Info@DiGi-Electronics.com](mailto:Info@DiGi-Electronics.com)

DiGi is a global authorized distributor of electronic components.

## Purchase and inquiry

Manufacturer Product Number:

52956-1

Series:

Plasti-Grip

Terminal Type:

Spring, Snap

Width - Outer Edges:

0.375" (9.53mm)

Mounting Type:

Free Hanging (In-Line)

Wire Gauge:

14-16 AWG

Features:

Serrated Termination

Contact Finish:

Tin

Insulation Diameter:

0.118" ~ 0.193" (3.00mm ~ 4.90mm)

Length - Ring Center to Termination:

0.281" (7.14mm)

Tongue Inside Opening:

0.164" (4.17mm)

Manufacturer:

TE Connectivity AMP Connectors

Product Status:

Active

Stud/Tab Size:

8 Stud

Length - Overall:

0.872" (22.15mm)

Termination:

Crimp

Insulation:

Insulated

Color:

Blue

Contact Material:

Brass

Material - Insulation:

Poly-Vinyl Chloride (PVC)

Length - Termination:

0.416" (10.57mm)

Base Product Number:

52956

## Environmental & Export classification

RoHS Status:

ROHS3 Compliant

REACH Status:

Vendor Undefined

HTSUS:

8536.90.4000

Moisture Sensitivity Level (MSL):

1 (Unlimited)

ECCN:

EAR99

52956-1 ✓ ACTIVE

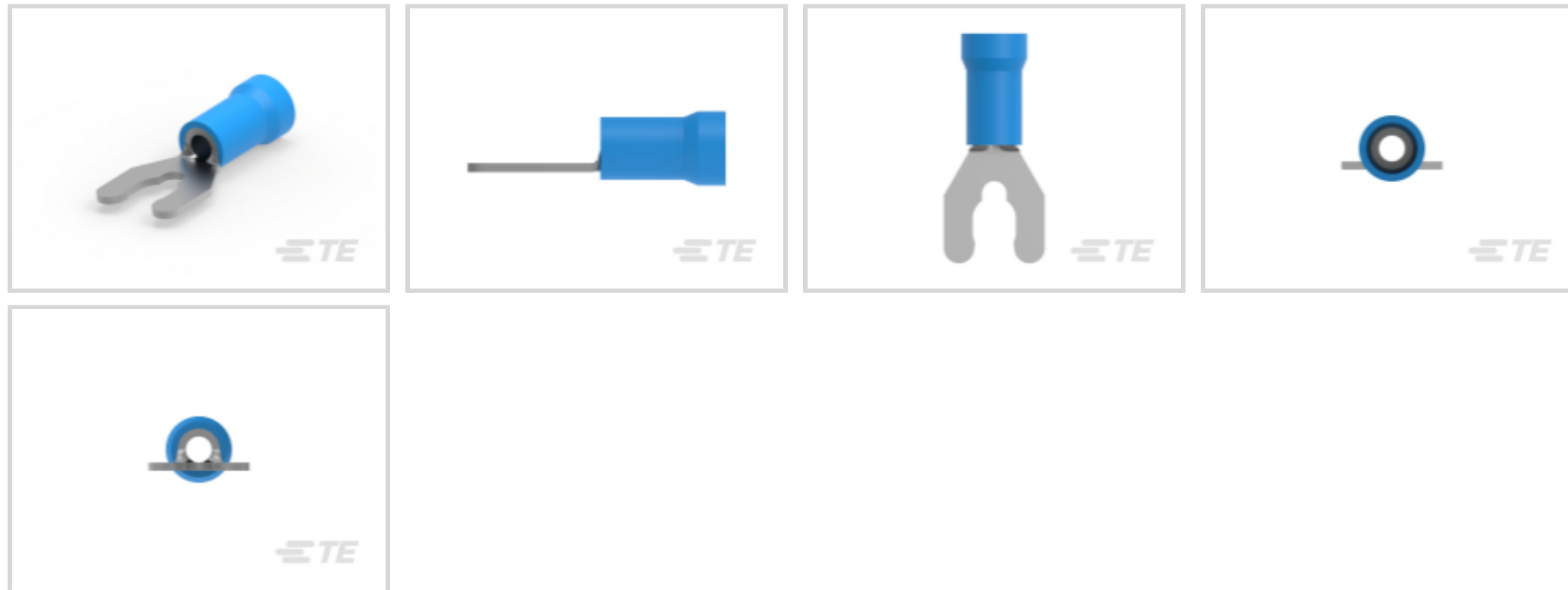
## PLASTI-GRIP

TE Internal #: 52956-1

Spring Spade Terminal, 16 – 14 AWG, #8 / M4 Stud, 4.17 mm [.164 in] Stud Diameter, Closed Barrel, Straight, Tin Plating, PLASTI-GRIP

[View on TE.com >](#)

Terminals &amp; Splices &gt; Spade Terminals

Spade Terminal Type: **Spring Spade Terminal**Wire Size: **2050 – 5180 CMA**Stud Size: **#8, M4****Features****Product Type Features**

Stud Size	#8, M4
Sealable	No
Wire Insulation Support Retention Type	Insulation Support

**Electrical Characteristics**

Voltage Rating	600 V
----------------	-------

**Body Features**

Insulation Sleeve Color	Blue
Stripe Color	Blue

**Contact Features**

Spade Terminal Type	Spring Spade Terminal
Barrel Type	Closed
Terminal Orientation	Straight
Terminal Plating Material	Tin

**Mechanical Attachment**

Wire Insulation Support	With
-------------------------	------



Spring Spade Terminal, 16 – 14 AWG, #8 / M4 Stud, 4.17 mm [.164 in] Stud Diameter,  
Closed Barrel, Straight, Tin Plating, PLASTI-GRIP

### Dimensions

Wire Size	2050 – 5180 CMA
Stud Diameter	4.17 mm [.164 in]
Tongue Thickness	.79 mm [.031 in]
Product Length	22.15 mm [.872 in]
Compatible Insulation Diameter (Max)	4.9 mm [.193 in]
Compatible Insulation Diameter Range	3 – 4.9 mm [.118 – .193 in]

### Usage Conditions

Insulation Option	Partially Insulated
-------------------	---------------------

### Operation/Application

Compatible With Wire Base Material	Copper
Compatible With Wire Plating Material	Tin

### Industry Standards

Government Qualified Terminal	No
-------------------------------	----

### Packaging Features

Packaging Quantity	5000
Packaging Method	Tape Mounted

### Product Compliance

[For compliance documentation, visit the product page on TE.com>](#)

EU RoHS Directive 2011/65/EU	Compliant
EU ELV Directive 2000/53/EC	Compliant
China RoHS 2 Directive MIIT Order No 32, 2016	No Restricted Materials Above Threshold
EU REACH Regulation (EC) No. 1907/2006	Current ECHA Candidate List: JAN 2025 (247) Candidate List Declared Against: JUNE 2024 (241) Does not contain REACH SVHC
Halogen Content	Not Low Halogen - contains Br or Cl > 900 ppm.
Solder Process Capability	Not applicable for solder process capability

#### Product Compliance Disclaimer

This information is provided based on reasonable inquiry of our suppliers and represents our current actual knowledge based on the information they provided. This information is subject to change. The part numbers that TE has identified as EU RoHS compliant have a maximum concentration of 0.1% by weight in homogenous materials for lead, hexavalent



Spring Spade Terminal, 16 – 14 AWG, #8 / M4 Stud, 4.17 mm [.164 in] Stud Diameter, Closed Barrel, Straight, Tin Plating, PLASTI-GRIP

chromium, mercury, PBB, PBDE, DBP, BBP, DEHP, DIBP, and 0.01% for cadmium, or qualify for an exemption to these limits as defined in the Annexes of Directive 2011/65/EU (RoHS2). Finished electrical and electronic equipment products will be CE marked as required by Directive 2011/65/EU. Components may not be CE marked. Additionally, the part numbers that TE has identified as EU ELV compliant have a maximum concentration of 0.1% by weight in homogenous materials for lead, hexavalent chromium, and mercury, and 0.01% for cadmium, or qualify for an exemption to these limits as defined in the Annexes of Directive 2000/53/EC (ELV). Regarding the REACH Regulation, the information TE provides on SVHC in articles for this part number is based on the latest European Chemicals Agency (ECHA) 'Guidance on requirements for substances in articles' posted at this URL: <https://echa.europa.eu/guidance-documents/guidance-on-reach>

## Compatible Parts



TE Part # 59824-1  
TETRA-CRIMP PIDG PG FASTON 22-10 ASSY



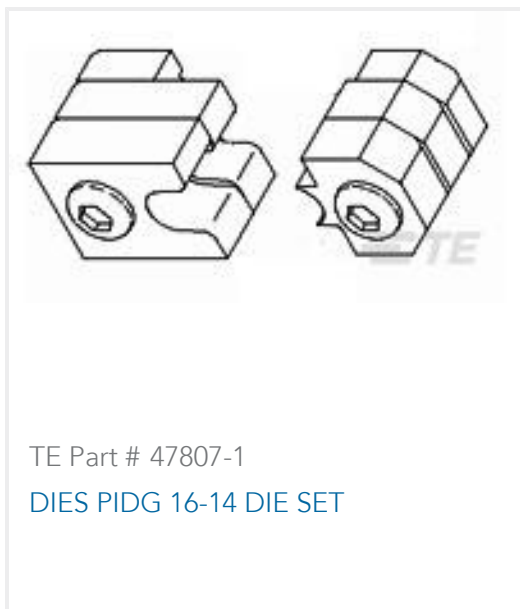
TE Part # 169404  
CERTI-LOK DIE



TE Part # 47387  
DAHT PG PIDG 20-14 ASSY



TE Part # 58433-3  
PRO CR ASSY, RBY IS9252



TE Part # 47807-1  
DIES PIDG 16-14 DIE SET



TE Part # 58423-1  
DIE, RBY IS9252

## Also in the Series | PLASTI-GRIP



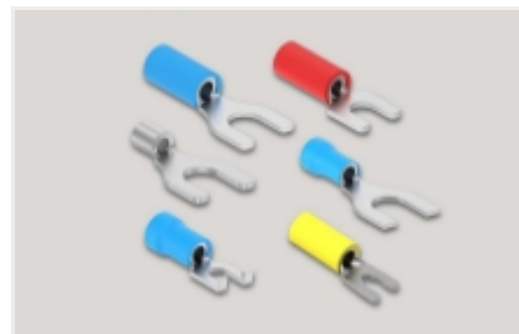
Compression Connectors(3)



Crimp Wire Pins, Tabs & Ferrules(20)



Ring Terminals(310)



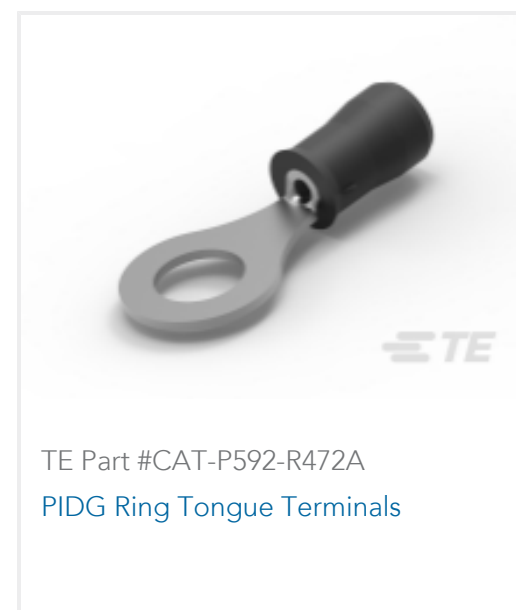
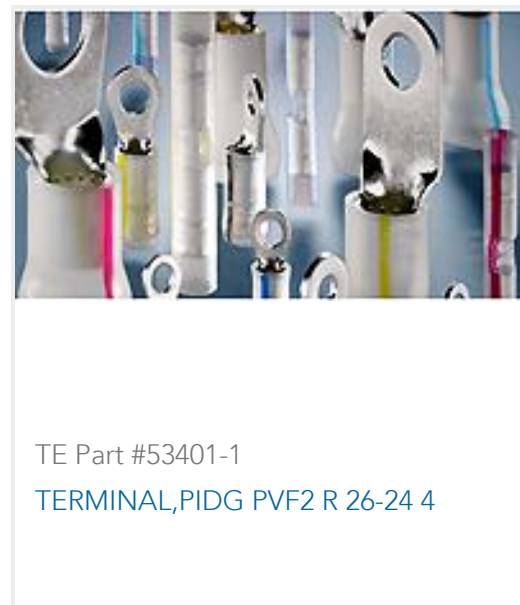
Spade Terminals(158)



Splices(45)

Spring Spade Terminal, 16 – 14 AWG, #8 / M4 Stud, 4.17 mm [.164 in] Stud Diameter,  
Closed Barrel, Straight, Tin Plating, PLASTI-GRIP

## Customers Also Bought



## Documents

### Product Drawings

[TERMINAL,PG SPR SPD 16-14 8](#)

English

### CAD Files

[3D PDF](#)

3D

Customer View Model

[ENG\\_CVM\\_CVM\\_52956-1\\_U.2d\\_dxf.zip](#)

English

Customer View Model

[ENG\\_CVM\\_CVM\\_52956-1\\_U.3d\\_igs.zip](#)

English

Customer View Model

[ENG\\_CVM\\_CVM\\_52956-1\\_U.3d\\_stp.zip](#)

English

By downloading the CAD file I accept and agree to the [Terms and Conditions](#) of use.



Spring Spade Terminal, 16 – 14 AWG, #8 / M4 Stud, 4.17 mm [.164 in] Stud Diameter,  
Closed Barrel, Straight, Tin Plating, PLASTI-GRIP

### Product Specifications

#### Application Specification

English

---

### Instruction Sheets

#### AMP\* PIDG\* (VINYL) & PLASTI-GRIP\* SHORT SPRING SPADE TERMINALS FOR BAR

English

#### Instruction Sheet (U.S.)

English

---

### Agency Approvals

#### UL Report

English

## OUR CERTIFICATE

DiGi provide top-quality products and perfect service for customer worldwide through standardization, technological innovation and continuous improvement. DiGi through third-party certification, we stricly control the quality of products and services. Welcome your RFQ to

Email: [Info@DiGi-Electronics.com](mailto:Info@DiGi-Electronics.com)



Tel: +00 852-30501935

RFQ Email: [Info@DiGi-Electronics.com](mailto:Info@DiGi-Electronics.com)

DiGi is a global authorized distributor of electronic components.