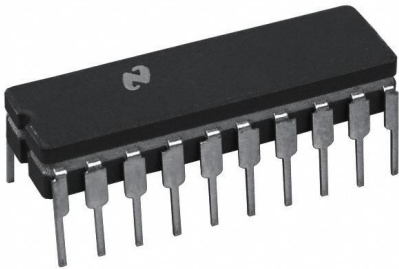


ADC1001CCJ-1 Datasheet

www.digi-electronics.com



ADC1001CCJ-1

<https://www.DiGi-Electronics.com>

DiGi Electronics Part Number	ADC1001CCJ-1-DG
Manufacturer	Texas Instruments
Manufacturer Product Number	ADC1001CCJ-1
Description	IC ADC 10BIT SAR 20CDIP
Detailed Description	10 Bit Analog to Digital Converter 1 Input 1 SAR 20-CDIP



Tel: +00 852-30501935

RFQ Email: Info@DiGi-Electronics.com

DiGi is a global authorized distributor of electronic components.

Purchase and inquiry

Manufacturer Product Number:

ADC1001CCJ-1

Series:

-

Number of Bits:

10

Number of Inputs:

1

Data Interface:

Parallel

Ratio - S/H:ADC:

-

Architecture:

SAR

Voltage - Supply, Analog:

4.5V ~ 6.3V

Features:

-

Package / Case:

20-CDIP (0.300", 7.62mm)

Mounting Type:

Through Hole

Manufacturer:

Texas Instruments

Product Status:

Obsolete

Sampling Rate (Per Second):

-

Input Type:

Differential

Configuration:

ADC

Number of A/D Converters:

1

Reference Type:

Internal

Voltage - Supply, Digital:

4.5V ~ 6.3V

Operating Temperature:

0°C ~ 70°C

Supplier Device Package:

20-CDIP

Base Product Number:

ADC1001

Environmental & Export classification

RoHS Status:

RoHS non-compliant

REACH Status:

REACH Unaffected

HTSUS:

8542.39.0001

Moisture Sensitivity Level (MSL):

1 (Unlimited)

ECCN:

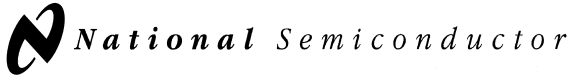
EAR99

ADC1001

ADC1001 10-Bit μ P Compatible A/D Converter



Literature Number: SNAS536



June 1999

ADC1001 10-Bit μ P Compatible A/D Converter

ADC1001 10-Bit μ P Compatible A/D Converter

General Description

The ADC1001 is a CMOS, 10-bit successive approximation A/D converter. The 20-pin ADC1001 is pin compatible with the ADC0801 8-bit A/D family. The 10-bit data word is read in two 8-bit bytes, formatted left justified and high byte first. The six least significant bits of the second byte are set to zero, as is proper for a 16-bit word.

Differential inputs provide low frequency input common mode rejection and allow offsetting the analog range of the converter. In addition, the reference input can be adjusted enabling the conversion of reduced analog ranges with 10-bit resolution.

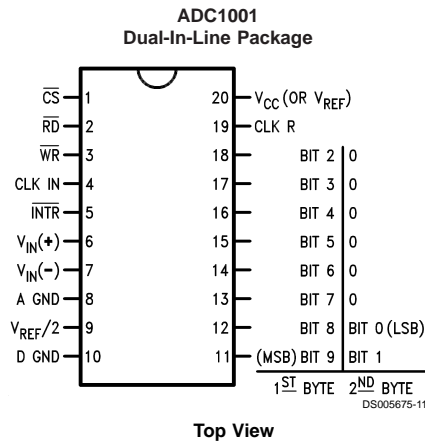
Key Specifications

- Resolution 10 bits
- Linearity error ± 1 LSB
- Conversion time 200 μ S

Features

- ADC1001 is pin compatible with ADC0801 series 8-bit A/D converters
- Compatible with NSC800 and 8080 μ P derivatives — no interfacing logic needed
- Easily interfaced to 6800 μ P derivatives
- Differential analog voltage inputs
- Logic inputs and outputs meet both MOS and TTL voltage level specifications
- Works with 2.5V (LM336) voltage reference
- On-chip clock generator
- 0V to 5V analog input voltage range with single 5V supply
- Operates ratiometrically or with 5 V_{DC} , 2.5 V_{DC} , or analog span adjusted voltage reference
- 0.3" standard width 20-pin DIP package

Connection Diagram



Ordering Information

Temperature Range	0°C to +70°C	-40°C to +85°C
Order Number	ADC1001CCJ-1	ADC1001CCJ
Package Outline	J20A	J20A

TRI-STATE® is a registered trademark of National Semiconductor Corp.

Absolute Maximum Ratings (Notes 1, 2)

If Military/Aerospace specified devices are required, please contact the National Semiconductor Sales Office/Distributors for availability and specifications.

Supply Voltage (V _{CC}) (Note 3)	6.5V
Logic Control Inputs	-0.3V to +18V
Voltage at Other Inputs and Outputs	-0.3V to (V _{CC} +0.3V)
Storage Temperature Range	-65°C to +150°C
Package Dissipation at T _A =25°C	875 mW

Lead Temp. (Soldering, 10 seconds)	300°C
ESD Susceptibility (Note 10)	800V

Operating Conditions (Notes 1, 2)

Temperature Range	T _{MIN} ≤ T _A ≤ T _{MAX}
ADC1001CCJ	-40°C ≤ T _A ≤ +85°C
ADC1001CCJ-1	0°C ≤ T _A ≤ +70°C
Range of V _{CC}	4.5 V _{DC} to 6.3 V _{DC}

Converter Characteristics

Converter Specifications: V_{CC}=5 V_{DC}, V_{REF}/2=2.500 V_{DC}, T_{MIN}≤T_A≤T_{MAX} and f_{CLK}=410 kHz unless otherwise specified.

Parameter	Conditions	Min	Typ	Max	Units
Linearity Error				±1	LSB
Zero Error				±2	LSB
Full-Scale Error				±2	LSB
Total Ladder Resistance (Note 9)	Input Resistance at Pin 9	2.2	4.8		KΩ
Analog Input Voltage Range	(Note 4) V(+) or V(-)	GND-0.05		V _{CC} +0.05	V _{DC}
DC Common-Mode Error	Over Analog Input Voltage Range		±1/8		LSB
Power Supply Sensitivity	V _{CC} =5 V _{DC} ±5% Over Allowed V _{IN} (+) and V _{IN} (-) Voltage Range (Note 4)		±1/8		LSB

AC Electrical Characteristics

Timing Specifications: V_{CC}=5 V_{DC} and T_A=25°C unless otherwise specified.

Symbol	Parameter	Conditions	Min	Typ	Max	Units
T _c	Conversion Time	(Note 5)	80		90	1/f _{CLK}
		f _{CLK} =410 kHz	195		220	μs
f _{CLK}	Clock Frequency	(Note 8)	100		1260	kHz
	Clock Duty Cycle		40		60	%
CR	Conversion Rate In Free-Running Mode	INTR tied to WR with CS = 0 V _{DC} , f _{CLK} =410 kHz			4600	conv/s
t _{W(WR)L}	Width of WR Input (Start Pulse Width)	CS = 0 V _{DC} (Note 6)	150			ns
t _{ACC}	Access Time (Delay from Falling Edge of RD to Output Data Valid)	C _L =100 pF		170	300	ns
t _{1H} , t _{0H}	TRI-STATE® Control (Delay from Rising Edge of RD to Hi-Z State)	C _L =10 pF, R _L =10k (See TRI-STATE Test Circuits)		125	200	ns
t _{WI} , t _{RI}	Delay from Falling Edge of WR or RD to Reset of INTR			300	450	ns
t _{1rs}	INTR to 1st Read Set-Up Time		550	400		ns
C _{IN}	Input Capacitance of Logic Control Inputs			5	7.5	pF
C _{OUT}	TRI-STATE Output Capacitance (Data Buffers)			5	7.5	pF

DC Electrical Characteristics

The following specifications apply for $V_{CC}=5 V_{DC}$ and $T_{MIN} \leq T_A \leq T_{MAX}$, unless otherwise specified.

Symbol	Parameter	Conditions	Min	Typ	Max	Units
CONTROL INPUTS [Note: CLK IN is the input of a Schmitt trigger circuit and is therefore specified separately]						
$V_{IN(1)}$	Logical "1" Input Voltage (Except CLK IN)	$V_{CC}=5.25 V_{DC}$	2.0		15	V_{DC}
$V_{IN(0)}$	Logical "0" Input Voltage (Except CLK IN)	$V_{CC}=4.75 V_{DC}$			0.8	V_{DC}
$I_{IN(1)}$	Logical "1" Input Current (All Inputs)	$V_{IN}=5 V_{DC}$		0.005	1	μA_{DC}
$I_{IN(0)}$	Logical "0" input Current (All Inputs)	$V_{IN}=0 V_{DC}$	-1	-0.005		μA_{DC}
CLOCK IN						
V_{T+}	CLK IN Positive Going Threshold Voltage		2.7	3.1	3.5	V_{DC}
V_{T-}	CLK IN Negative Going Threshold Voltage		1.5	1.8	2.1	V_{DC}
V_H	CLK IN Hysteresis (V_{T+})-(V_{T-})		0.6	1.3	2.0	V_{DC}
OUTPUTS AND INTR						
$V_{OUT(0)}$	Logical "0" Output Voltage	$I_{OUT}=1.6 \text{ mA}$, $V_{CC}=4.75 V_{DC}$			0.4	V_{DC}
$V_{OUT(1)}$	Logical "1" Output Voltage	$I_O=-360 \mu A$, $V_{CC}=4.75 V_{DC}$ $I_O=-10 \mu A$, $V_{CC}=4.75 V_{DC}$	2.4 4.5			V_{DC} V_{DC}
I_{OUT}	TRI-STATE Disabled Output Leakage (All Data Buffers)	$V_{OUT}=0.4 V_{DC}$ $V_{OUT}=5 V_{DC}$		0.1 0.1	-100 3	μA_{DC} μA_{DC}
I_{SOURCE}		V_{OUT} Short to GND, $T_A=25^\circ C$	4.5	6		mA_{DC}
I_{SINK}		V_{OUT} Short to V_{CC} , $T_A=25^\circ C$	9.0	16		mA_{DC}
POWER SUPPLY						
I_{CC}	Supply Current (Includes Ladder Current)	$f_{CLK}=410 \text{ kHz}$, $V_{REF/2}=NC$, $T_A=25^\circ C$ and $\overline{CS}=1$			2.5 5.0	 mA

Note 1: Absolute Maximum Ratings indicate limits beyond which damage to the device may occur. DC and AC electrical specifications do not apply when operating the device beyond its specified operating conditions.

Note 2: All voltages are measured with respect to GND, unless otherwise specified. The separate A GND point should always be wired to the D GND.

Note 3: A zener diode exists, internally, from V_{CC} to GND and has a typical breakdown voltage of $7 V_{DC}$.

Note 4: For $V_{IN(-)} \geq V_{IN(+)}$ the digital output code will be all zeros. Two on-chip diodes are tied to each analog input (see Block Diagram) which will forward conduct for analog input voltages one diode drop below ground or one diode drop greater than the V_{CC} supply. Be careful, during testing at low V_{CC} levels (4.5V), as high level analog inputs (5V) can cause this input diode to conduct — especially at elevated temperatures, and cause errors for analog inputs near fullscale. The spec allows 50 mV forward bias of either diode. This means that as long as the analog V_{IN} does not exceed the supply voltage by more than 50 mV, the output code will be correct. To achieve an absolute 0 V_{DC} to 5 V_{DC} input voltage range will therefore require a minimum supply voltage of $4.950 V_{DC}$ over temperature variations, initial tolerance and loading.

Note 5: With an asynchronous start pulse, up to 8 clock periods may be required before the internal clock phases are proper to start the conversion process. The start request is internally latched, see *Figure 3*.

Note 6: The \overline{CS} input is assumed to bracket the \overline{WR} strobe input and therefore timing is dependent on the \overline{WR} pulse width. An arbitrarily wide pulse width will hold the converter in a reset mode and the start of conversion is initiated by the low to high transition of the \overline{WR} pulse (see Timing Diagrams).

Note 7: All typical values are for $T_A=25^\circ C$.

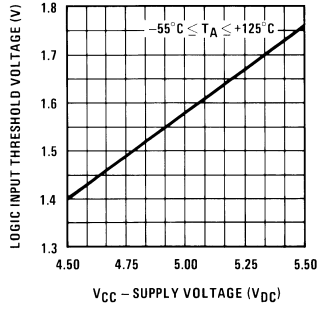
Note 8: Accuracy is guaranteed at $f_{CLK}=410 \text{ kHz}$. At higher clock frequencies accuracy can degrade.

Note 9: The $V_{REF/2}$ pin is the center point of a two resistor divider (each resistor is $2.4 \text{ k}\Omega$) connected from V_{CC} to ground. Total ladder input resistance is the sum of these two equal resistors.

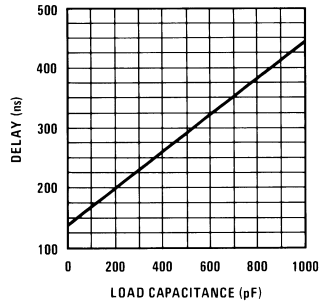
Note 10: Human body model, 100 pF discharged through a $1.5 \text{ k}\Omega$ resistor.

Typical Performance Characteristics

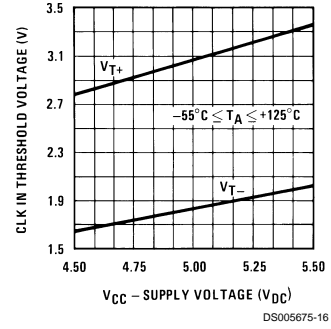
Logic Input Threshold Voltage vs Supply Voltage



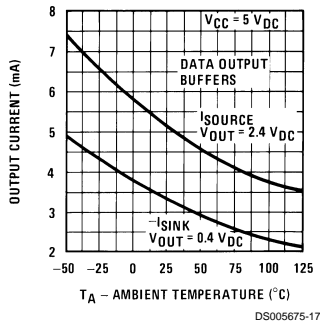
Delay From Falling Edge of RD to Output Data Valid vs Load Capacitance



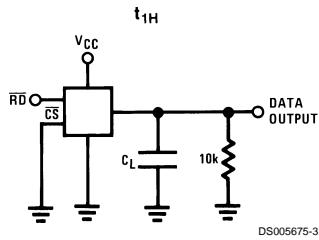
CLK IN Schmitt Trip Levels vs Supply Voltage



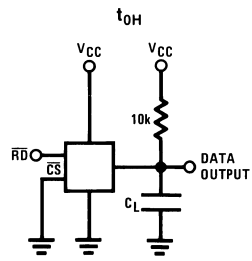
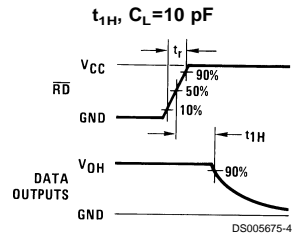
Output Current vs Temperature



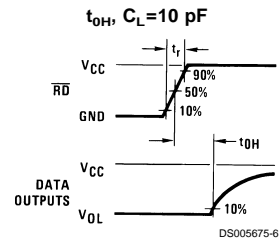
TRI-STATE Test Circuits and Waveforms



$t_r = 20 \text{ ns}$

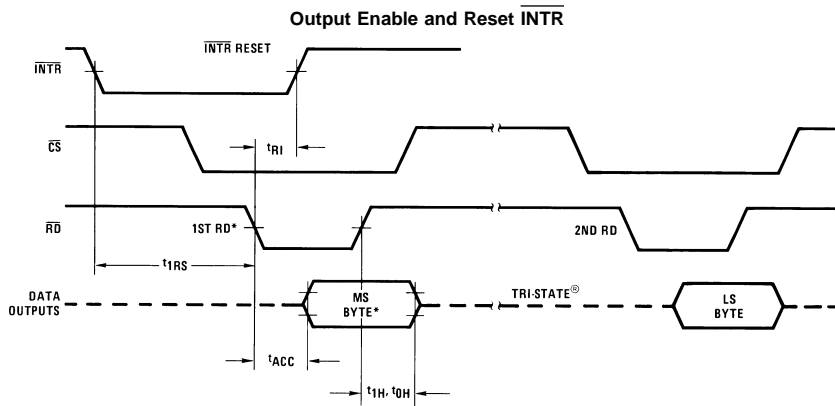
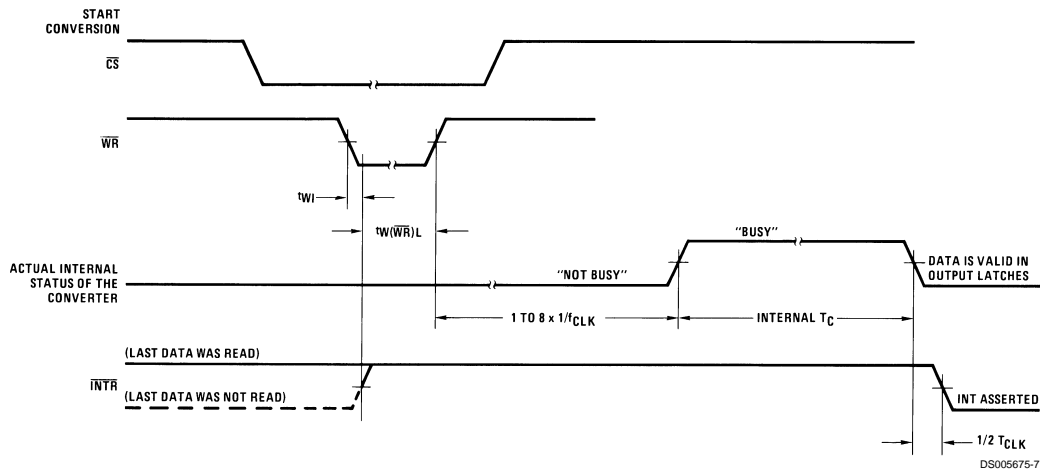


$t_r = 20 \text{ ns}$



TRI-STATE Test Circuits and Waveforms (Continued)

Timing Diagrams



*All timing is measured from the 50% voltage points.

Timing Diagrams (Continued)

Byte Sequencing For The 20-Pin ADC1001

Byte Order	8-Bit Data Bus Connection							
	DB7	DB6	DB5	DB4	DB3	DB2	DB1	DB0
1st	MSB Bit 9	Bit 8	Bit 7	Bit 6	Bit 5	Bit 4	Bit 3	Bit 2
2nd	Bit 1	LSB Bit 0	0	0	0	0	0	0

Functional Description

The ADC1001 uses an advanced potentiometric resistive ladder network. The analog inputs, as well as the taps of this ladder network, are switched into a weighted capacitor array. The output of this capacitor array is the input to a sampled data comparator. This comparator allows the successive approximation logic to match the analog difference input voltage $[V_{IN(+)} - V_{IN(-)}]$ to taps on the R network. The most significant bit is tested first and after 10 comparisons (80 clock cycles) a digital 10-bit binary code (all "1"s=full-scale) is transferred to an output latch and then an interrupt is asserted (INTR makes a high-to-low transition). The device may be operated in the free-running mode by connecting INTR to the WR input with CS = 0. To ensure start-up under all possible conditions, an external WR pulse is required during the first power-up cycle. A conversion in process can be interrupted by issuing a second start command.

On the high-to-low transition of the WR input the internal SAR latches and the shift register stages are reset. As long as the CS input and WR input remain low, the A/D will remain in a reset state. Conversion will start from 1 to 8 clock periods after at least one of these inputs makes a low-to-high transition.

A functional diagram of the A/D converter is shown in Figure 3. All of the inputs and outputs are shown and the major logic control paths are drawn in heavier weight lines.

The conversion is initialized by taking CS and WR simultaneously low. This sets the start flip-flop (F/F) and the resulting "1" level resets the 8-bit shift register, resets the Interrupt (INTR) F/F and inputs a "1" to the D flop, F/F1, which is at the input end of the 10-bit shift register. Internal clock signals then transfer this "1" to the Q output of F/F1. The AND gate, G1, combines this "1" output with a clock signal to provide a reset signal to the start F/F. If the set signal is no longer present (either WR or CS is a "1") the start F/F is reset and the 10-bit shift register then can have the "1" clocked in, which allows the conversion process to continue. If the set signal were to still be present, this reset pulse would have no effect and the 10-bit shift register would continue to be held in the reset mode. This logic therefore allows for wide CS and WR signals and the converter will start after at least one of these signals returns high and the internal clocks again provide a reset signal for the start F/F.

After the "1" is clocked through the 10-bit shift register (which completes the SAR search) it causes the new digital word to transfer to the TRI-STATE output latches. When this XFER signal makes a high-to-low transition the one shot fires, setting the INTR F/F. An inverting buffer then supplies the INTR output signal.

Note that this SET control of the INTR F/F remains low for approximately 400 ns. If the data output is continuously enabled (CS and RD both held low), the INTR output will still signal the end of the conversion (by a high-to-low transition),

because the SET input can control the Q output of the INTR F/F even though the RESET input is constantly at a "1" level. This INTR output will therefore stay low for the duration of the SET signal.

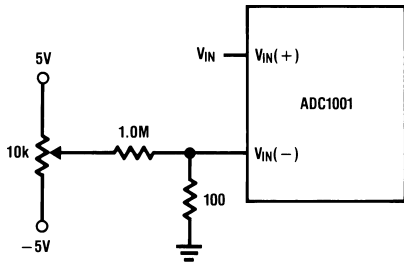
When data is to be read, the combination of both CS and RD being low will cause the INTR F/F to be reset and the TRI-STATE output latches will be enabled.

Zero and Full-Scale Adjustment

Zero error can be adjusted as shown in Figure 1. $V_{IN(+)}$ is forced to +2.5 mV (+1/2 LSB) and the potentiometer is adjusted until the digital output code changes from 00 0000 0000 to 00 0000 0001.

Full-scale is adjusted as shown in Figure 2, with the $V_{REF/2}$ input. With $V_{IN (+)}$ forced to the desired full-scale voltage less 1/2 LSBs ($V_{FS} - 1/2$ LSBs), $V_{REF/2}$ is adjusted until the digital output code changes from 11 1111 1110 to 11 1111 1111.

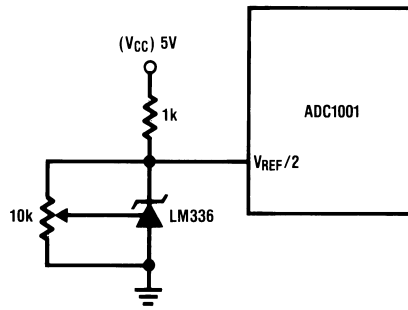
Functional Description (Continued)



DS005675-9

Note 11: $V_{IN(-)}$ should be biased so that $V_{IN(-)} \geq -0.05V$ when potentiometer wiper is set at most negative voltage position.

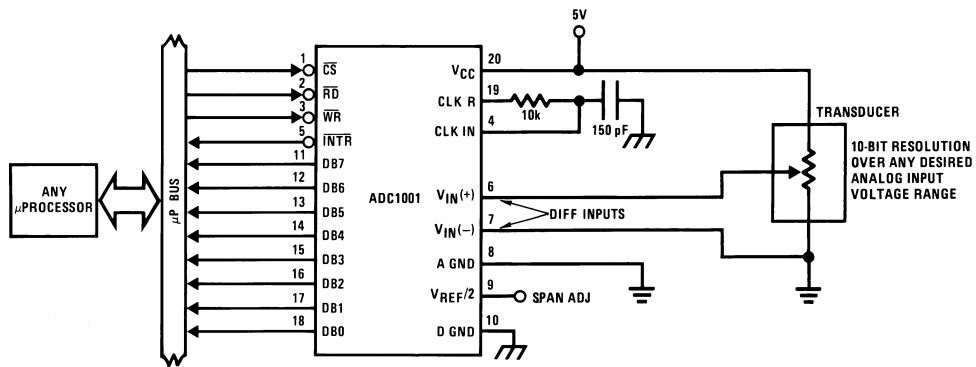
FIGURE 1. Zero Adjust Circuit



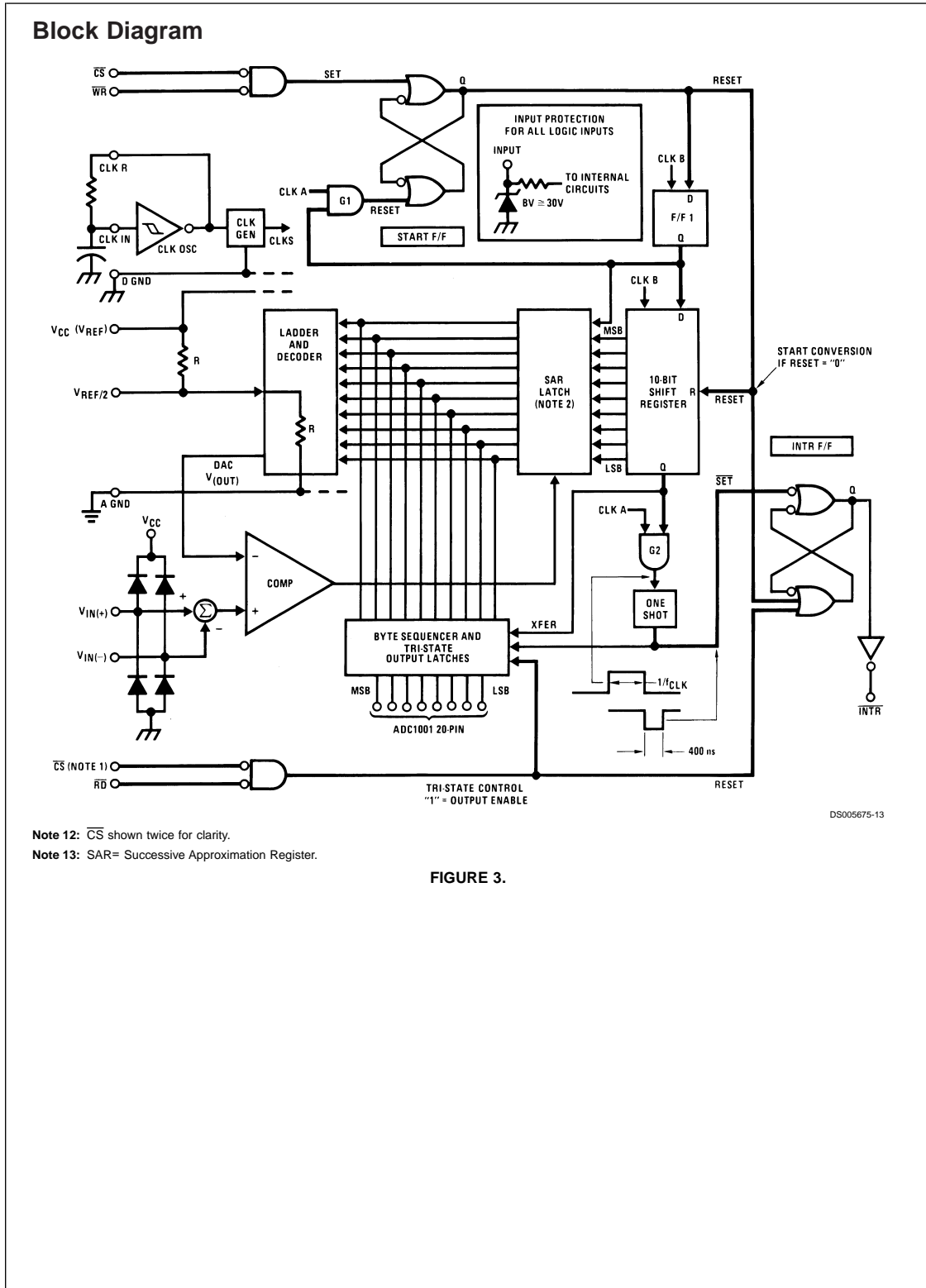
DS005675-10

FIGURE 2. Full-Scale Adjust

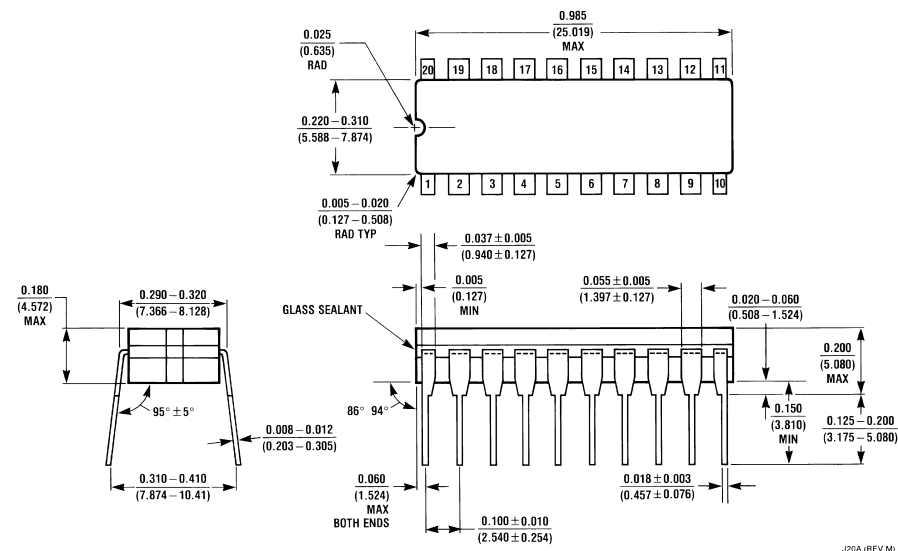
Typical Application



DS005675-1



Physical Dimensions inches (millimeters) unless otherwise noted




Cavity Dual-In-Line Package (J) (Side Brazed)
Order Number ADC1001CCJ or ADC1001CCJ-1
NS Package Number J20A

LIFE SUPPORT POLICY

NATIONAL'S PRODUCTS ARE NOT AUTHORIZED FOR USE AS CRITICAL COMPONENTS IN LIFE SUPPORT DEVICES OR SYSTEMS WITHOUT THE EXPRESS WRITTEN APPROVAL OF THE PRESIDENT AND GENERAL COUNSEL OF NATIONAL SEMICONDUCTOR CORPORATION. As used herein:

1. Life support devices or systems are devices or systems which, (a) are intended for surgical implant into the body, or (b) support or sustain life, and whose failure to perform when properly used in accordance with instructions for use provided in the labeling, can be reasonably expected to result in a significant injury to the user.
2. A critical component is any component of a life support device or system whose failure to perform can be reasonably expected to cause the failure of the life support device or system, or to affect its safety or effectiveness.

 <p>National Semiconductor Corporation Americas Tel: 1-800-272-9959 Fax: 1-800-737-7018 Email: support@nsc.com www.national.com</p>	<p>National Semiconductor Europe Fax: +49 (0) 1 80-530 85 86 Email: europe.support@nsc.com Deutsch Tel: +49 (0) 1 80-530 85 85 English Tel: +49 (0) 1 80-532 78 32 Français Tel: +49 (0) 1 80-532 93 58 Italiano Tel: +49 (0) 1 80-534 16 80</p>	<p>National Semiconductor Asia Pacific Customer Response Group Tel: 65-2544466 Fax: 65-2504466 Email: sea.support@nsc.com</p>	<p>National Semiconductor Japan Ltd. Tel: 81-3-5639-7560 Fax: 81-3-5639-7507</p>
--	---	---	---

National does not assume any responsibility for use of any circuitry described, no circuit patent licenses are implied and National reserves the right at any time without notice to change said circuitry and specifications.

IMPORTANT NOTICE

Texas Instruments Incorporated and its subsidiaries (TI) reserve the right to make corrections, modifications, enhancements, improvements, and other changes to its products and services at any time and to discontinue any product or service without notice. Customers should obtain the latest relevant information before placing orders and should verify that such information is current and complete. All products are sold subject to TI's terms and conditions of sale supplied at the time of order acknowledgment.

TI warrants performance of its hardware products to the specifications applicable at the time of sale in accordance with TI's standard warranty. Testing and other quality control techniques are used to the extent TI deems necessary to support this warranty. Except where mandated by government requirements, testing of all parameters of each product is not necessarily performed.

TI assumes no liability for applications assistance or customer product design. Customers are responsible for their products and applications using TI components. To minimize the risks associated with customer products and applications, customers should provide adequate design and operating safeguards.

TI does not warrant or represent that any license, either express or implied, is granted under any TI patent right, copyright, mask work right, or other TI intellectual property right relating to any combination, machine, or process in which TI products or services are used. Information published by TI regarding third-party products or services does not constitute a license from TI to use such products or services or a warranty or endorsement thereof. Use of such information may require a license from a third party under the patents or other intellectual property of the third party, or a license from TI under the patents or other intellectual property of TI.

Reproduction of TI information in TI data books or data sheets is permissible only if reproduction is without alteration and is accompanied by all associated warranties, conditions, limitations, and notices. Reproduction of this information with alteration is an unfair and deceptive business practice. TI is not responsible or liable for such altered documentation. Information of third parties may be subject to additional restrictions.

Resale of TI products or services with statements different from or beyond the parameters stated by TI for that product or service voids all express and any implied warranties for the associated TI product or service and is an unfair and deceptive business practice. TI is not responsible or liable for any such statements.

TI products are not authorized for use in safety-critical applications (such as life support) where a failure of the TI product would reasonably be expected to cause severe personal injury or death, unless officers of the parties have executed an agreement specifically governing such use. Buyers represent that they have all necessary expertise in the safety and regulatory ramifications of their applications, and acknowledge and agree that they are solely responsible for all legal, regulatory and safety-related requirements concerning their products and any use of TI products in such safety-critical applications, notwithstanding any applications-related information or support that may be provided by TI. Further, Buyers must fully indemnify TI and its representatives against any damages arising out of the use of TI products in such safety-critical applications.

TI products are neither designed nor intended for use in military/aerospace applications or environments unless the TI products are specifically designated by TI as military-grade or "enhanced plastic." Only products designated by TI as military-grade meet military specifications. Buyers acknowledge and agree that any such use of TI products which TI has not designated as military-grade is solely at the Buyer's risk, and that they are solely responsible for compliance with all legal and regulatory requirements in connection with such use.

TI products are neither designed nor intended for use in automotive applications or environments unless the specific TI products are designated by TI as compliant with ISO/TS 16949 requirements. Buyers acknowledge and agree that, if they use any non-designated products in automotive applications, TI will not be responsible for any failure to meet such requirements.

Following are URLs where you can obtain information on other Texas Instruments products and application solutions:

Products

Audio	www.ti.com/audio
Amplifiers	amplifier.ti.com
Data Converters	dataconverter.ti.com
DLP® Products	www.dlp.com
DSP	dsp.ti.com
Clocks and Timers	www.ti.com/clocks
Interface	interface.ti.com
Logic	logic.ti.com
Power Mgmt	power.ti.com
Microcontrollers	microcontroller.ti.com
RFID	www.ti-rfid.com
OMAP Mobile Processors	www.ti.com/omap
Wireless Connectivity	www.ti.com/wirelessconnectivity

Applications

Communications and Telecom	www.ti.com/communications
Computers and Peripherals	www.ti.com/computers
Consumer Electronics	www.ti.com/consumer-apps
Energy and Lighting	www.ti.com/energy
Industrial	www.ti.com/industrial
Medical	www.ti.com/medical
Security	www.ti.com/security
Space, Avionics and Defense	www.ti.com/space-avionics-defense
Transportation and Automotive	www.ti.com/automotive
Video and Imaging	www.ti.com/video

TI E2E Community Home Page

e2e.ti.com

Mailing Address: Texas Instruments, Post Office Box 655303, Dallas, Texas 75265
Copyright © 2011, Texas Instruments Incorporated

OUR CERTIFICATE

DiGi provide top-quality products and perfect service for customer worldwide through standardization, technological innovation and continuous improvement. DiGi through third-party certification, we stricly control the quality of products and services. Welcome your RFQ to

Email: Info@DiGi-Electronics.com



Tel: +00 852-30501935

RFQ Email: Info@DiGi-Electronics.com

DiGi is a global authorized distributor of electronic components.