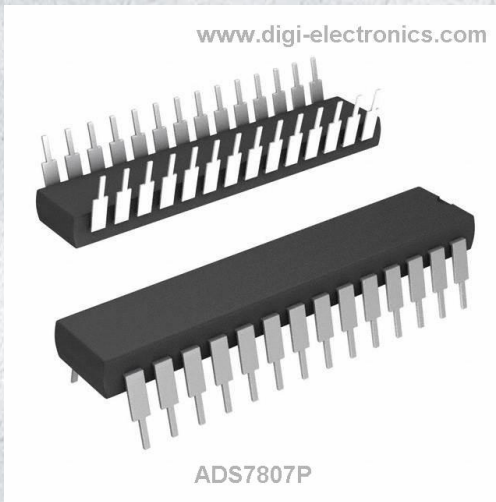


# ADS7807P Datasheet



<https://www.DiGi-Electronics.com>

|                              |  |
|------------------------------|--|
| DiGi Electronics Part Number | ADS7807P-DG  |
| Manufacturer                 | <a href="#">Texas Instruments</a>                        |
| Manufacturer Product Number  | ADS7807P   |
| Description                  | IC ADC 16BIT SAR 28DIP                                   |
| Detailed Description         | 16 Bit Analog to Digital Converter 1 Input 1 SAR 28-PDIP |



Tel: +00 852-30501935

RFQ Email: [Info@DiGi-Electronics.com](mailto:Info@DiGi-Electronics.com)

DiGi is a global authorized distributor of electronic components.

## Purchase and inquiry

Manufacturer Product Number:

ADS7807P

Series:

-

Number of Bits:

16

Number of Inputs:

1

Data Interface:

SPI, Parallel

Ratio - S/H:ADC:

1:1

Architecture:

SAR

Voltage - Supply, Analog:

5V

Features:

-

Package / Case:

28-DIP (0.300", 7.62mm)

Mounting Type:

Through Hole

Manufacturer:

Texas Instruments

Product Status:

Obsolete

Sampling Rate (Per Second):

40k

Input Type:

Single Ended

Configuration:

S/H-ADC

Number of A/D Converters:

1

Reference Type:

External, Internal

Voltage - Supply, Digital:

5V

Operating Temperature:

-40°C ~ 85°C

Supplier Device Package:

28-PDIP

Base Product Number:

ADS7807

## Environmental & Export classification

RoHS Status:

ROHS3 Compliant

REACH Status:

REACH Unaffected

HTSUS:

8542.39.0001

Moisture Sensitivity Level (MSL):

3 (168 Hours)

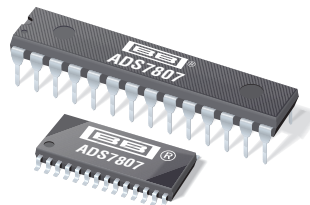
ECCN:

EAR99



**Burr-Brown Products**  
from Texas Instruments

# ADS7807



SBAS022D – NOVEMBER 1992 – REVISED NOVEMBER 2006

## Low-Power, 16-Bit, Sampling CMOS ANALOG-to-DIGITAL CONVERTER

### FEATURES

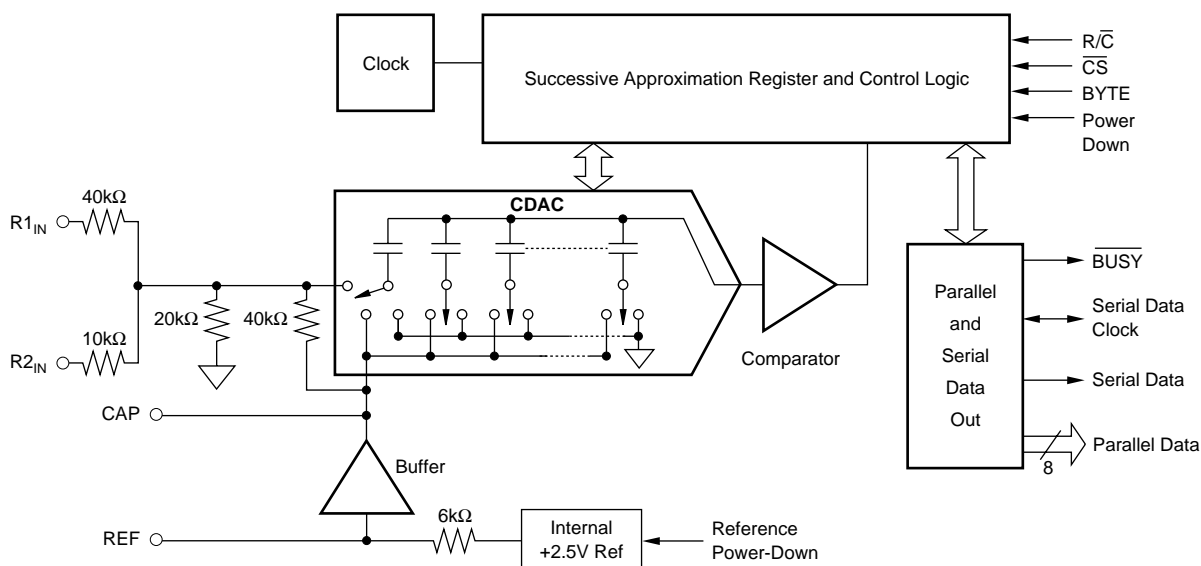
- 35mW max POWER DISSIPATION
- 50 $\mu$ W POWER-DOWN MODE
- 25 $\mu$ s max ACQUISITION AND CONVERSION
- $\pm 1.5$ LSB max INL
- DNL: 16 Bits, No Missing Codes
- 86dB min SINAD WITH 1kHz INPUT
- $\pm 10$ V, 0V TO +5V, AND 0V TO +4V INPUT RANGES
- SINGLE +5V SUPPLY OPERATION
- PARALLEL AND SERIAL DATA OUTPUT
- PIN-COMPATIBLE WITH THE 12-BIT ADS7806
- USES INTERNAL OR EXTERNAL REFERENCE
- 0.3" DIP-28 AND SO-28

### DESCRIPTION

The ADS7807 is a low-power, 16-bit, sampling Analog-to-Digital (A/D) converter using state-of-the-art CMOS structures. It contains a complete 16-bit, capacitor-based, Successive Approximation Register (SAR) A/D converter with sample-and-hold, clock, reference, and microprocessor interface with parallel and serial output drivers.

The ADS7807 can acquire and convert 16 bits to within  $\pm 1.5$ LSB in 25 $\mu$ s max while consuming only 35mW max. Laser trimmed scaling resistors provide standard industrial input ranges of  $\pm 10$ V and 0V to +5V. In addition, a 0V to +4V range allows development of complete single-supply systems.

The ADS7807 is available in a 0.3" DIP-28 and SO-28, both fully specified for operation over the industrial  $-40^{\circ}\text{C}$  to  $+85^{\circ}\text{C}$  temperature range.



Please be aware that an important notice concerning availability, standard warranty, and use in critical applications of Texas Instruments semiconductor products and disclaimers thereto appears at the end of this data sheet.

All trademarks are the property of their respective owners.

PRODUCTION DATA information is current as of publication date. Products conform to specifications per the terms of Texas Instruments standard warranty. Production processing does not necessarily include testing of all parameters.

 **TEXAS  
INSTRUMENTS**  
www.ti.com

Copyright © 1992-2006, Texas Instruments Incorporated

**ABSOLUTE MAXIMUM RATINGS<sup>(1)</sup>**

|  |   |
|--|---|
| Analog Inputs: R1 <sub>IN</sub> .....                    | ±12V  |
| R2 <sub>IN</sub> .....                                   | ±5.5V   |
| CAP .....  | V <sub>ANA</sub> + 0.3V to AGND2 – 0.3V                           |
| REF .....  | Indefinite Short to AGND2,<br>Momentary Short to V <sub>ANA</sub> |
| Ground Voltage Differences: DGND, AGND1, and AGND2 ..... | ±0.3V   |
| V <sub>ANA</sub> .....                                   | 7V  |
| V <sub>DIG</sub> to V <sub>ANA</sub> .....               | +0.3V   |
| V <sub>DIG</sub> .....                                   | 7V  |
| Digital Inputs .....                                     | –0.3V to V <sub>DIG</sub> + 0.3V                                  |
| Maximum Junction Temperature .....                       | +165°C  |
| Internal Power Dissipation .....                         | 825mW   |
| Lead Temperature (soldering, 10s) .....                  | +300°C  |



**ELECTROSTATIC DISCHARGE SENSITIVITY**

This integrated circuit can be damaged by ESD. Texas Instruments recommends that all integrated circuits be handled with appropriate precautions. Failure to observe proper handling and installation procedures can cause damage.

ESD damage can range from subtle performance degradation to complete device failure. Precision integrated circuits may be more susceptible to damage because very small parametric changes could cause the device not to meet its published specifications.

NOTE: (1) Stresses above those listed under "Absolute Maximum Ratings" may cause permanent damage to the device. Exposure to absolute maximum conditions for extended periods may affect device reliability.

**PACKAGE/ORDERING INFORMATION<sup>(1)</sup>**

| PRODUCT   | MAXIMUM INTEGRAL LINEARITY ERROR (LSB) | SPECIFIED NO MISSING CODE LEVEL (LSB) | MINIMUM SIGNAL-TO-(NOISE + DISTORTION) RATIO (DB) | PACKAGE-LEAD | PACKAGE DESIGNATOR | SPECIFIED TEMPERATURE RANGE | PACKAGE MARKING | ORDERING NUMBER | TRANSPORT MEDIA, QUANTITY |
|-----------|--|---------------------------------------|---|--------------|--------------------|-----------------------------|-----------------|-----------------|---------------------------|
| ADS7807P  | ±3                                     | 15                                    | 83  | DIP-28       | NT                 | –40°C to +85°C              | ADS7807P        | ADS7807P        | Tubes, 13                 |
| ADS7807PB | ±1.5                                   | 16                                    | 86  | "            | "                  | "                           | ADS7807PB       | ADS7807PB       | Tubes, 13                 |
| ADS7807U  | ±3                                     | 15                                    | 83  | SO-28        | DW                 | –40°C to +85°C              | ADS7807U        | ADS7807U        | Tubes, 28                 |
| "         | "                                      | "                                     | "   | "            | "                  | "                           | "               | ADS7807U/1K     | Tape and Reel, 1000       |
| ADS7807UB | ±1.5                                   | 16                                    | 86  | "            | "                  | "                           | ADS7807UB       | ADS7807UB       | Tubes, 28                 |
| "         | "                                      | "                                     | "   | "            | "                  | "                           | "               | ADS7807UB/1K    | Tape and Reel, 1000       |

NOTE: (1) For the most current package and ordering information, see the Package Option Addendum at the end of this document, or see the TI web site at www.ti.com.

**ELECTRICAL CHARACTERISTICS**

At T<sub>A</sub> = –40°C to +85°C, f<sub>S</sub> = 40kHz, V<sub>DIG</sub> = V<sub>ANA</sub> = +5V, and using internal reference and fixed resistors (see Figure 7b), unless otherwise specified.

| PARAMETER   | CONDITIONS   | ADS7807P, U |  |   | ADS7807PB, UB |     |  | UNITS  |
|---|--|-------------|--|---|---------------|-----|--|--|
|   |  | MIN         | TYP  | MAX   | MIN           | TYP | MAX  |  |
| <b>RESOLUTION</b>   |  |             |  | 16  |               |     | *  | Bits   |
| <b>ANALOG INPUT</b><br>Voltage Ranges<br>Impedance<br>Capacitance   |  |             |  | ±10, 0 to +5, 0 to +4<br>(See Table I)          |               |     | *  | V<br>pF  |
| <b>THROUGHPUT SPEED</b><br>Conversion Time<br>Complete Cycle<br>Throughput Rate   | Acquire and Convert  | 40          |  | 20<br>25  | *             |     | *<br>*   | µs<br>µs<br>kHz  |
| <b>DC ACCURACY</b><br>Integral Linearity Error<br>Differential Linearity Error<br>No Missing Codes<br>Transition Noise <sup>(2)</sup><br>Gain Error<br>Full-Scale Error <sup>(3,4)</sup><br>Full-Scale Error Drift<br>Full-Scale Error <sup>(3,4)</sup><br>Full-Scale Error Drift<br>Bipolar Zero Error <sup>(3)</sup><br>Bipolar Zero Error Drift<br>Unipolar Zero Error <sup>(3)</sup><br>Unipolar Zero Error Drift<br>Recovery Time to Rated Accuracy<br>from Power-Down <sup>(5)</sup><br>Power-Supply Sensitivity<br>(V <sub>DIG</sub> = V <sub>ANA</sub> = V <sub>S</sub> ) | Ext. 2.5000V Ref<br>Ext. 2.5000V Ref<br>±10V Range<br>±10V Range<br>0V to 5V, 0V to 4V Ranges<br>0V to 5V, 0V to 4V Ranges<br>2.2µF Capacitor to CAP<br>+4.75V < V <sub>S</sub> < +5.25V | 15          | 0.8<br>±0.2<br>±7<br>±0.5<br>±0.5<br>±0.5<br>±0.5<br>±0.5<br>1 | ±3<br>+3, –2<br>±0.5<br>±0.5<br>±10<br>±3<br>±8 | 16            | *   | ±1.5<br>+1.5, –1<br>*<br>±0.25<br>±0.25<br>*<br>*<br>* | LSB <sup>(1)</sup><br>LSB<br>Bits<br>LSB<br>%<br>%<br>ppm/°C<br>%<br>ppm/°C<br>mV<br>ppm/°C<br>mV<br>ppm/°C<br>ms<br>LSB |

# ELECTRICAL CHARACTERISTICS (Cont.)

At  $T_A = -40^\circ\text{C}$  to  $+85^\circ\text{C}$ ,  $f_S = 40\text{kHz}$ ,  $V_{\text{DIG}} = V_{\text{ANA}} = +5\text{V}$ , and using internal reference and fixed resistors (see Figure 7b), unless otherwise specified.

| PARAMETER  | CONDITIONS  | ADS7807P, U |      |   | ADS7807PB, UB |     |     | UNITS                 |
|--|---|-------------|------|---|---------------|-----|-----|-----------------------|
|  |   | MIN         | TYP  | MAX   | MIN           | TYP | MAX |                       |
| <b>AC ACCURACY</b>   |   |             |      |   |               |     |     |                       |
| Spurious-Free Dynamic Range                                      | $f_{\text{IN}} = 1\text{kHz}, \pm 10\text{V}$                                     | 90          | 100  |   | 96            | *   |     | dB <sup>(6)</sup>     |
| Total Harmonic Distortion  | $f_{\text{IN}} = 1\text{kHz}, \pm 10\text{V}$                                     |             | -100 | -90   |               | *   | -96 | dB                    |
| Signal-to-(Noise + Distortion)                                   | $f_{\text{IN}} = 1\text{kHz}, \pm 10\text{V}$<br>-60dB Input                      | 83          | 88   |   | 86            | *   |     | dB                    |
| Signal-to-Noise  | $f_{\text{IN}} = 1\text{kHz}, \pm 10\text{V}$                                     | 83          | 88   |   | 86            | *   |     | dB                    |
| Usable Bandwidth <sup>(7)</sup>                                  |   |             | 130  |   |               | *   |     | kHz                   |
| Full-Power Bandwidth (-3dB)                                      |   |             | 600  |   |               | *   |     | kHz                   |
| <b>SAMPLING DYNAMICS</b>   |   |             |      |   |               |     |     |                       |
| Aperture Delay   |   |             | 40   |   |               | *   |     | ns                    |
| Aperture Jitter  |   |             | 20   |   |               | *   |     | ps                    |
| Transient Response   | FS Step   |             |      | 5   |               |     | *   | $\mu\text{s}$         |
| Over-Voltage Recovery <sup>(8)</sup>                             |   |             | 750  |   |               | *   |     | ns                    |
| <b>REFERENCE</b>   |   |             |      |   |               |     |     |                       |
| Internal Reference Voltage                                       | No Load   | 2.48        | 2.5  | 2.52  | *             | *   | *   | V                     |
| Internal Reference Source Current<br>(Must use external buffer.) |   |             | 1    |   | *             | *   |     | $\mu\text{A}$         |
| Internal Reference Drift   |   |             | 8    |   | *             | *   |     | ppm/ $^\circ\text{C}$ |
| External Reference Voltage Range<br>for Specified Linearity      |   | 2.3         | 2.5  | 2.7   | *             | *   | *   | V                     |
| External Reference Current Drain                                 | External 2.5000V Ref  |             |      | 100   |               |     | *   | $\mu\text{A}$         |
| <b>DIGITAL INPUTS</b>  |   |             |      |   |               |     |     |                       |
| Logic Levels   |   |             |      |   |               |     |     |                       |
| $V_{\text{IL}}$  |   | -0.3        |      | +0.8  | *             |     | *   | V                     |
| $V_{\text{IH}}^{(9)}$  |   | +2.0        |      | $V_{\text{D}} + 0.3\text{V}$  | *             |     | *   | V                     |
| $I_{\text{IL}}$  | $V_{\text{IL}} = 0\text{V}$   |             |      | $\pm 10$  |               |     | *   | $\mu\text{A}$         |
| $I_{\text{IH}}$  | $V_{\text{IH}} = 5\text{V}$   |             |      | $\pm 10$  |               |     | *   | $\mu\text{A}$         |
| <b>DIGITAL OUTPUTS</b>   |   |             |      |   |               |     |     |                       |
| Data Format  |   |             |      | Parallel 16 bits in 2-bytes; Serial<br>Binary Two's Complement or Straight Binary |               |     |     |                       |
| Data Coding  |   |             |      |   |               |     |     |                       |
| $V_{\text{OL}}$  | $I_{\text{SINK}} = 1.6\text{mA}$  |             |      | +0.4  |               |     | *   | V                     |
| $V_{\text{OH}}$  | $I_{\text{SOURCE}} = 500\mu\text{A}$  | +4          |      |   | *             |     |     | V                     |
| Leakage Current  | High-Z State,<br>$V_{\text{OUT}} = 0\text{V}$ to $V_{\text{DIG}}$                 |             |      | $\pm 5$   |               |     | *   | $\mu\text{A}$         |
| Output Capacitance   | High-Z State  |             |      | 15  |               |     | *   | pF                    |
| <b>DIGITAL TIMING</b>  |   |             |      |   |               |     |     |                       |
| Bus Access Time  | $R_L = 3.3\text{k}\Omega$ , $C_L = 50\text{pF}$                                   |             |      | 83  |               |     | *   | ns                    |
| Bus Relinquish Time  | $R_L = 3.3\text{k}\Omega$ , $C_L = 10\text{pF}$                                   |             |      | 83  |               |     | *   | ns                    |
| <b>POWER SUPPLIES</b>  |   |             |      |   |               |     |     |                       |
| Specified Performance  | Must be $\leq V_{\text{ANA}}$   | +4.75       | +5   | +5.25   | *             | *   | *   | V                     |
| $V_{\text{DIG}}$   |   | +4.75       | +5   | +5.25   | *             | *   | *   | V                     |
| $V_{\text{ANA}}$   |   |             | 0.6  |   |               | *   |     | mA                    |
| $I_{\text{DIG}}$   |   |             | 5.0  |   |               | *   |     | mA                    |
| $I_{\text{ANA}}$   |   |             | 28   | 35  |               | *   | *   | mW                    |
| Power Dissipation  | $V_{\text{ANA}} = V_{\text{DIG}} = 5\text{V}$ , $f_S = 40\text{kHz}$<br>REFD HIGH |             | 23   |   |               | *   |     | mW                    |
|  | PWRD and REFD HIGH  |             | 50   |   |               | *   |     | $\mu\text{W}$         |
| <b>TEMPERATURE RANGE</b>   |   |             |      |   |               |     |     |                       |
| Specified Performance  |   | -40         |      | +85   | *             |     | *   | $^\circ\text{C}$      |
| Derated Performance  |   | -55         |      | +125  | *             |     | *   | $^\circ\text{C}$      |
| Storage  |   | -65         |      | +150  | *             |     | *   | $^\circ\text{C}$      |
| Thermal Resistance ( $\theta_{\text{JA}}$ )                      |   |             |      |   |               |     |     |                       |
| DIP  |   |             | 75   |   |               | *   |     | $^\circ\text{C/W}$    |
| SO   |   |             | 75   |   |               | *   |     | $^\circ\text{C/W}$    |

\* Same specifications as ADS7807P, U.

NOTES: (1) LSB means Least Significant Bit. One LSB for the  $\pm 10\text{V}$  input range is  $305\mu\text{V}$ .

(2) Typical rms noise at worst-case transition.

(3) As measured with fixed resistors, see Figure 7b. Adjustable to zero with external potentiometer.

(4) Full-scale error is the worst case of -Full-Scale or +Full-Scale untrimmed deviation from ideal first and last code transitions, divided by the transition voltage (not divided by the full-scale range) and includes the effect of offset error.

(5) This is the time delay after the ADS7807 is brought out of Power-Down mode until all internal settling occurs and the analog input is acquired to rated accuracy. A Convert command after this delay will yield accurate results.

(6) All specifications in dB are referred to a full-scale input.

(7) Usable bandwidth defined as full-scale input frequency at which Signal-to-(Noise + Distortion) degrades to 60dB.

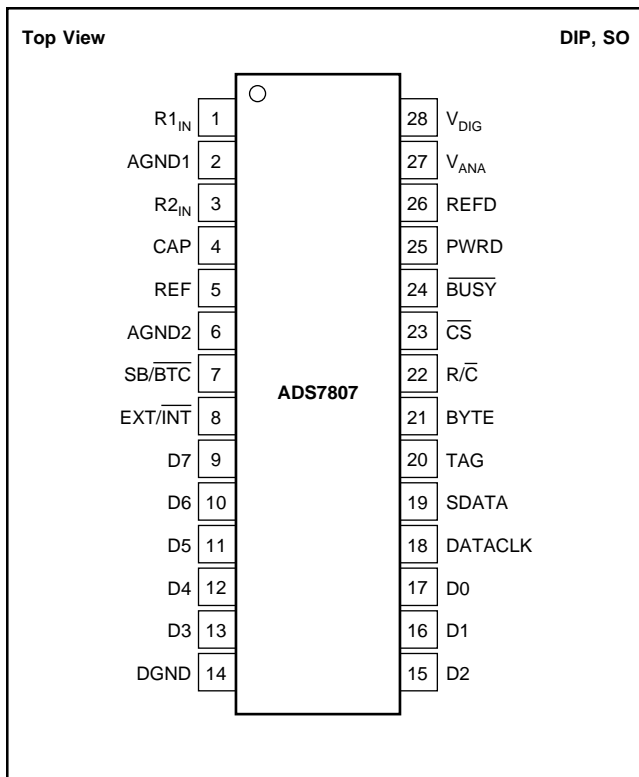
(8) Recovers to specified performance after  $2 \cdot \text{FS}$  input overvoltage.

(9) The minimum  $V_{\text{IH}}$  level for the DATACLK signal is 3V.

**PIN DESCRIPTIONS**

| PIN # | NAME             | DIGITAL I/O | DESCRIPTION  |
|-------|------------------|-------------|--|
| 1     | R1 <sub>IN</sub> |             | Analog Input. See Figure 7.  |
| 2     | AGND1            |             | Analog Sense Ground.   |
| 3     | R2 <sub>IN</sub> |             | Analog Input. See Figure 7.  |
| 4     | CAP              |             | Reference Buffer Output. 2.2μF tantalum capacitor to ground.   |
| 5     | REF              |             | Reference Input/Output. 2.2μF tantalum capacitor to ground.  |
| 6     | AGND2            |             | Analog Ground  |
| 7     | SB/BTC           | I           | Selects Straight Binary or Binary Two's Complement for Output Data Format.   |
| 8     | EXT/INT          | I           | External/Internal data clock select.   |
| 9     | D7               | O           | Data Bit 7 if BYTE is HIGH. Data bit 15 (MSB) if BYTE is LOW. Hi-Z when CS is HIGH and/or R/C is LOW. Leave unconnected when using serial output.  |
| 10    | D6               | O           | Data Bit 6 if BYTE is HIGH. Data bit 14 if BYTE is LOW. Hi-Z when CS is HIGH and/or R/C is LOW.  |
| 11    | D5               | O           | Data Bit 5 if BYTE is HIGH. Data bit 13 if BYTE is LOW. Hi-Z when CS is HIGH and/or R/C is LOW.  |
| 12    | D4               | O           | Data Bit 4 if BYTE is HIGH. Data bit 12 if BYTE is LOW. Hi-Z when CS is HIGH and/or R/C is LOW.  |
| 13    | D3               | O           | Data Bit 3 if BYTE is HIGH. Data bit 11 if BYTE is LOW. Hi-Z when CS is HIGH and/or R/C is LOW.  |
| 14    | DGND             |             | Digital Ground   |
| 15    | D2               | O           | Data Bit 2 if BYTE is HIGH. Data bit 10 if BYTE is LOW. Hi-Z when CS is HIGH and/or R/C is LOW.  |
| 16    | D1               | O           | Data Bit 1 if BYTE is HIGH. Data bit 9 if BYTE is LOW. Hi-Z when CS is HIGH and/or R/C is LOW.   |
| 17    | D0               | O           | Data Bit 0 (LSB) if BYTE is HIGH. Data bit 8 if BYTE is LOW. Hi-Z when CS is HIGH and/or R/C is LOW.   |
| 18    | DATACLK          | I/O         | Data Clock Output when EXT/INT is LOW. Data clock input when EXT/INT is HIGH.  |
| 19    | SDATA            | O           | Serial Output Synchronized to DATACLK  |
| 20    | TAG              | I           | Serial Input When Using an External Data Clock   |
| 21    | BYTE             | I           | Selects 8 most significant bits (LOW) or 8 least significant bits (HIGH) on parallel output pins.  |
| 22    | R/C              | I           | With CS LOW and BUSY HIGH, a Falling Edge on R/C Initiates a New Conversion. With CS LOW, a rising edge on R/C enables the parallel output.  |
| 23    | CS               | I           | Internally OR'd with R/C. If R/C is LOW, a falling edge on CS initiates a new conversion. If EXT/INT is LOW, this same falling edge will start the transmission of serial data results from the previous conversion. |
| 24    | BUSY             | O           | At the start of a conversion, BUSY goes LOW and stays LOW until the conversion is completed and the digital outputs have been updated.   |
| 25    | PWRD             | I           | PWRD HIGH shuts down all analog circuitry except the reference. Digital circuitry remains active.  |
| 26    | REFD             | I           | REFD HIGH shuts down the internal reference. External reference will be required for conversions.  |
| 27    | V <sub>ANA</sub> |             | Analog Supply. Nominally +5V. Decouple with 0.1μF ceramic and 10μF tantalum capacitors.  |
| 28    | V <sub>DIG</sub> |             | Digital Supply. Nominally +5V. Connect directly to pin 27. Must be ≤ V <sub>ANA</sub> .  |

**PIN CONFIGURATION**

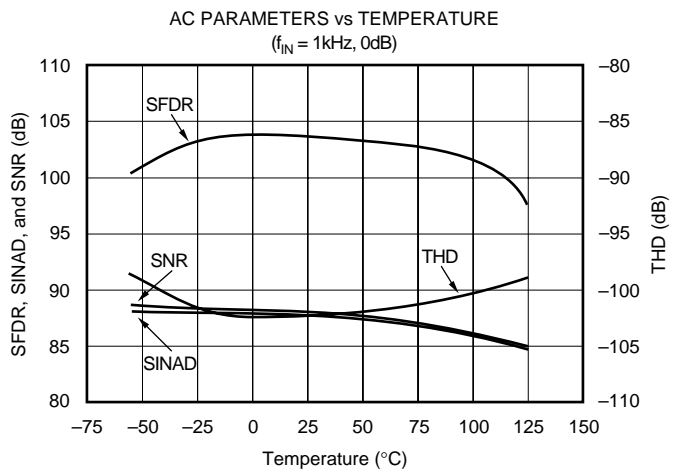
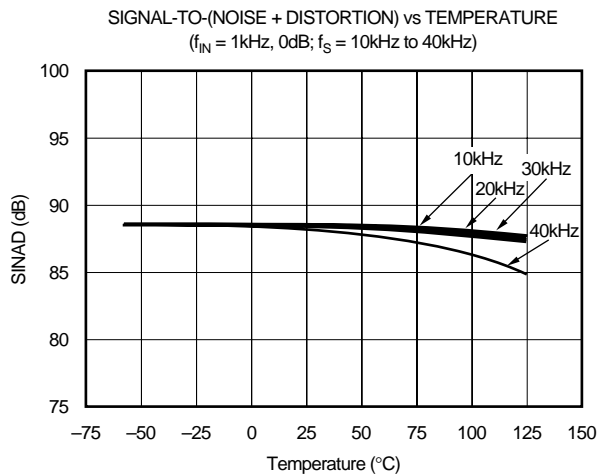
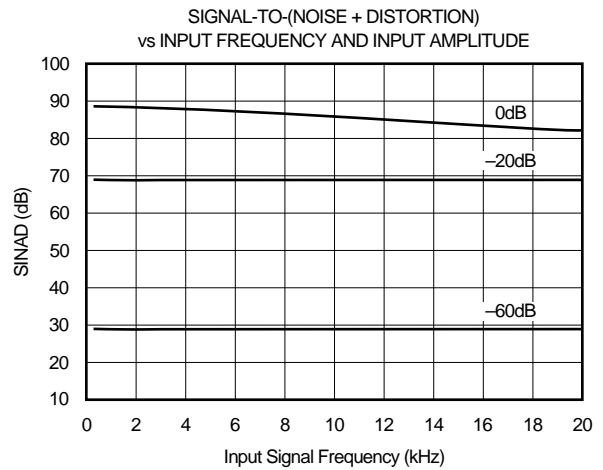
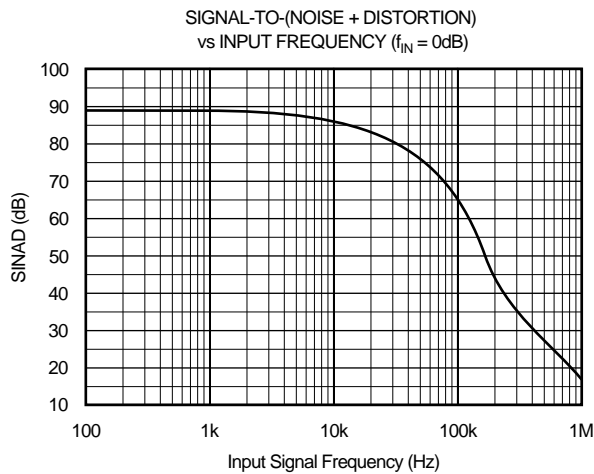
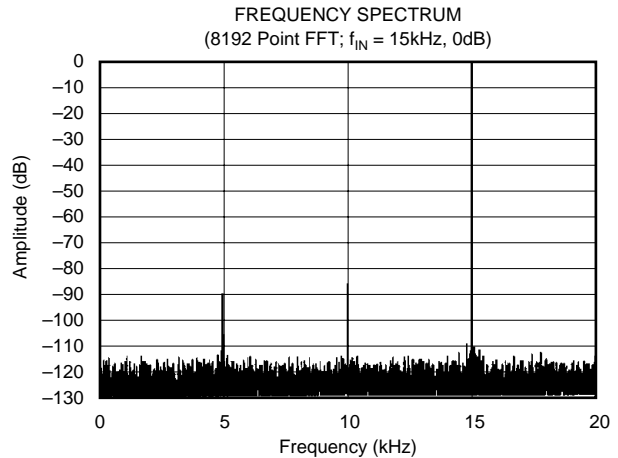
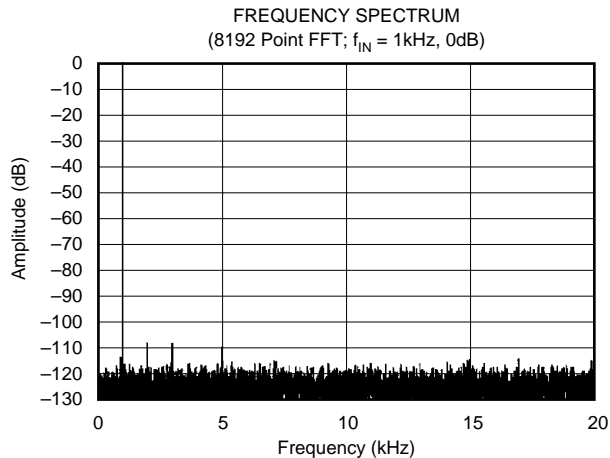


| ANALOG INPUT RANGE | CONNECT R1 <sub>IN</sub> VIA 200Ω TO | CONNECT R2 <sub>IN</sub> VIA 100Ω TO | IMPEDANCE |
|--------------------|--------------------------------------|--------------------------------------|-----------|
| ±10V               | V <sub>IN</sub>                      | CAP                                  | 45.7kΩ    |
| 0V to 5V           | AGND                                 | V <sub>IN</sub>                      | 20.0kΩ    |
| 0V to 4V           | V <sub>IN</sub>                      | V <sub>IN</sub>                      | 21.4kΩ    |

TABLE I. Input Range Connections. See Figure 7.

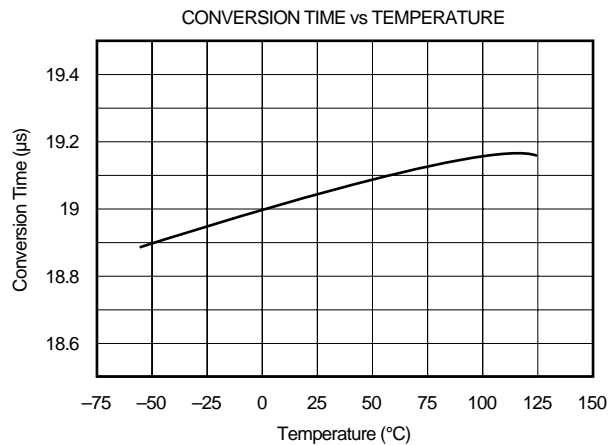
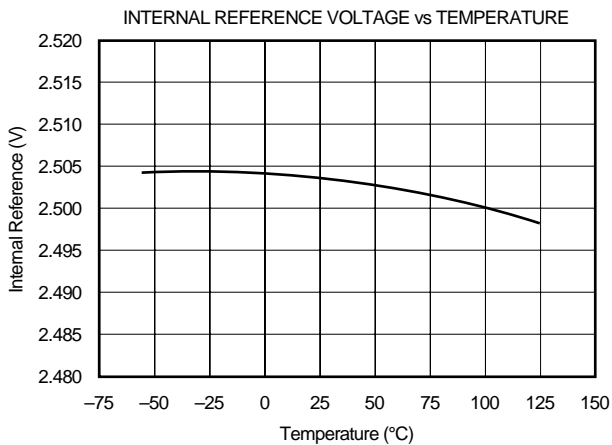
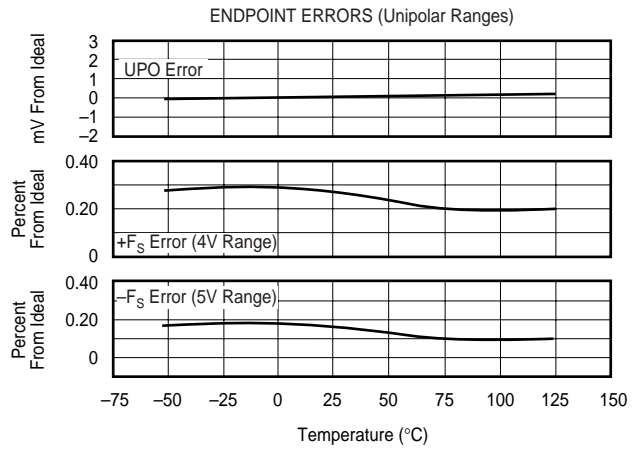
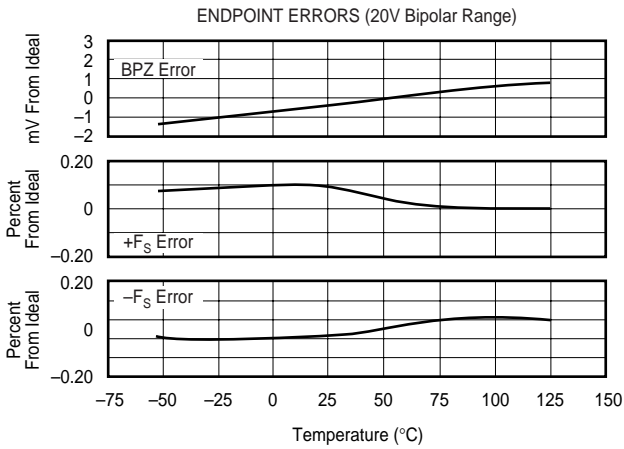
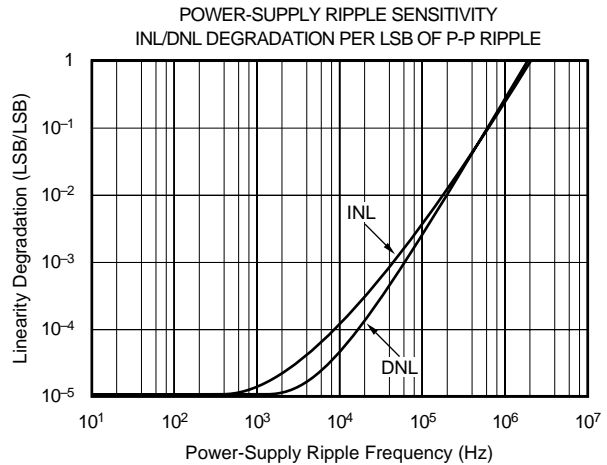
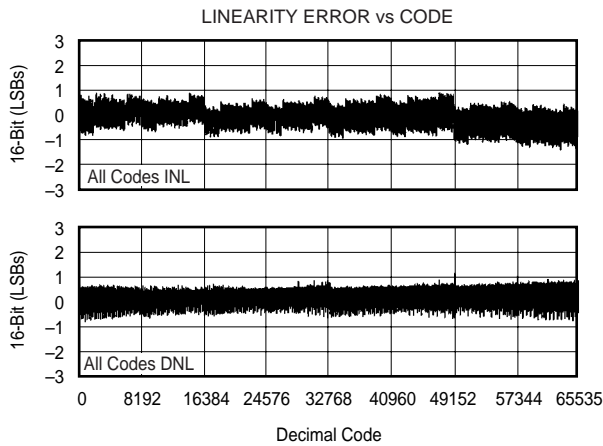
# TYPICAL CHARACTERISTICS

At  $T_A = +25^\circ\text{C}$ ,  $f_S = 40\text{kHz}$ ,  $V_{\text{DIG}} = V_{\text{ANA}} = +5\text{V}$ , and using internal reference and fixed resistors (see Figure 7b), unless otherwise specified.



# TYPICAL CHARACTERISTICS (Cont.)

At  $T_A = +25^\circ\text{C}$ ,  $f_S = 40\text{kHz}$ ,  $V_{\text{DIG}} = V_{\text{ANA}} = +5\text{V}$ , and using internal reference and fixed resistors (see Figure 7b), unless otherwise specified.



# BASIC OPERATION

## PARALLEL OUTPUT

Figure 1a shows a basic circuit to operate the ADS7807 with a  $\pm 10V$  input range and parallel output. Taking  $R/\bar{C}$  (pin 22) LOW for a minimum of 40ns ( $12\mu s$  max) will initiate a conversion.  $\bar{BUSY}$  (pin 24) will go LOW and stay LOW until the conversion is completed and the output register is updated. If  $BYTE$  (pin 21) is LOW, the eight Most Significant Bits (MSBs) will be valid when  $\bar{BUSY}$  rises; if  $BYTE$  is HIGH, the eight Least Significant Bits (LSBs) will be valid when  $\bar{BUSY}$  rises. Data will be output in Binary Two's Complement (BTC) format.  $\bar{BUSY}$  going HIGH can be used to latch the data. After the first byte has been read,  $BYTE$  can be toggled allowing the remaining byte to be read. All convert commands will be ignored while  $\bar{BUSY}$  is LOW.

The ADS7807 will begin tracking the input signal at the end of the conversion. Allowing  $25\mu s$  between convert commands assures accurate acquisition of a new signal.

The offset and gain are adjusted internally to allow external trimming with a single supply. The external resistors compensate for this adjustment and can be left out if the offset and gain will be corrected in software (refer to the **Calibration** section).

## SERIAL OUTPUT

Figure 1b shows a basic circuit to operate the ADS7807 with a  $\pm 10V$  input range and serial output. Taking  $R/\bar{C}$  (pin 22) LOW for 40ns ( $12\mu s$  max) will initiate a conversion and

output valid data from the previous conversion on  $SDATA$  (pin 19) synchronized to 16 clock pulses output on  $DATACLK$  (pin 18).  $\bar{BUSY}$  (pin 24) will go LOW and stay LOW until the conversion is completed and the serial data has been transmitted. Data will be output in BTC format, MSB first, and will be valid on both the rising and falling edges of the data clock.  $\bar{BUSY}$  going HIGH can be used to latch the data. All convert commands will be ignored while  $\bar{BUSY}$  is LOW.

The ADS7807 will begin tracking the input signal at the end of the conversion. Allowing  $25\mu s$  between convert commands assures accurate acquisition of a new signal.

The offset and gain are adjusted internally to allow external trimming with a single supply. The external resistors compensate for this adjustment and can be left out if the offset and gain will be corrected in software (refer to the **Calibration** section).

## STARTING A CONVERSION

The combination of  $\bar{CS}$  (pin 23) and  $R/\bar{C}$  (pin 22) LOW for a minimum of 40ns puts the sample-and-hold of the ADS7807 in the hold state and starts conversion 'n'.  $\bar{BUSY}$  (pin 24) will go LOW and stay LOW until conversion 'n' is completed and the internal output register has been updated. All new convert commands during  $\bar{BUSY}$  LOW will be ignored.  $\bar{CS}$  and/or  $R/\bar{C}$  must go HIGH before  $\bar{BUSY}$  goes HIGH, or a new conversion will be initiated without sufficient time to acquire a new signal.

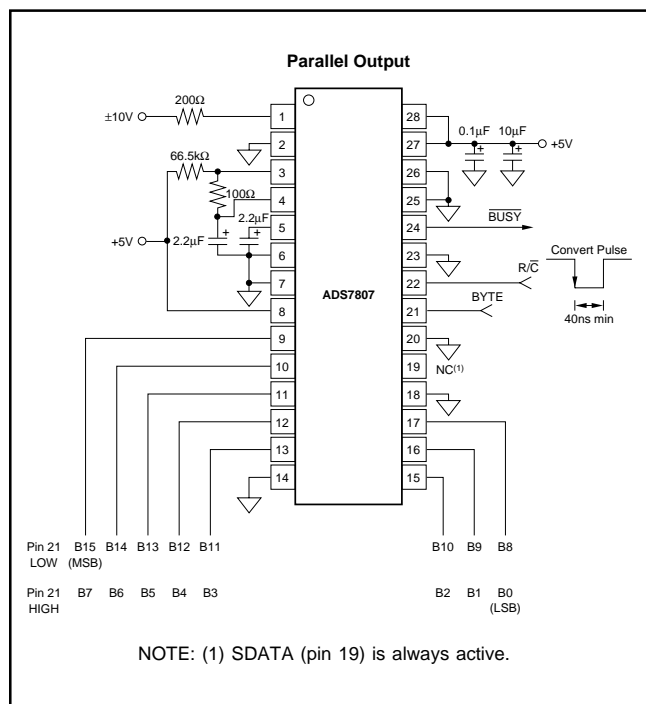


FIGURE 1a. Basic  $\pm 10V$  Operation, both Parallel and Serial Output.

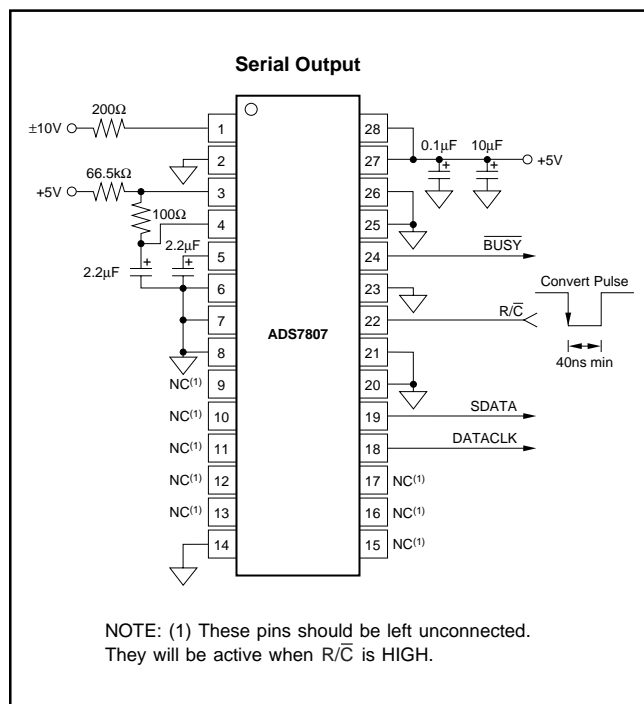


FIGURE 1b. Basic  $\pm 10V$  Operation with Serial Output.

The ADS7807 will begin tracking the input signal at the end of the conversion. Allowing 25µs between convert commands assures accurate acquisition of a new signal. Refer to Tables II and III for a summary of  $\overline{CS}$ ,  $R/\overline{C}$ , and  $\overline{BUSY}$  states, and Figures 2 through 6 for timing diagrams.

| $\overline{CS}$ | $R/\overline{C}$ | $\overline{BUSY}$ | OPERATION  |
|-----------------|------------------|-------------------|--|
| 1               | X                | X                 | None. Databus is in Hi-Z state.  |
| ↓               | 0                | 1                 | Initiates conversion 'n'. Databus remains in Hi-Z state.   |
| 0               | ↓                | 1                 | Initiates conversion 'n'. Databus enters Hi-Z state.   |
| 0               | 1                | ↑                 | Conversion 'n' completed. Valid data from conversion 'n' on the databus.   |
| ↓               | 1                | 1                 | Enables databus with valid data from conversion 'n'.   |
| ↓               | 1                | 0                 | Enables databus with valid data from conversion 'n - 1'^(1). Conversion n in progress.   |
| 0               | ↑                | 0                 | Enables databus with valid data from conversion 'n - 1'^(1). Conversion 'n' in progress.   |
| 0               | 0                | ↑                 | New conversion initiated without acquisition of a new signal. Data will be invalid. $\overline{CS}$ and/or $R/\overline{C}$ must be HIGH when $\overline{BUSY}$ goes HIGH. |
| X               | X                | 0                 | New convert commands ignored. Conversion 'n' in progress.  |

NOTE: (1) See Figures 2 and 3 for constraints on data valid from conversion 'n - 1'.

TABLE II. Control Functions When Using Parallel Output (DATACLK tied LOW,  $\overline{EXT}/\overline{INT}$  tied HIGH).

| $\overline{CS}$ | $R/\overline{C}$ | $\overline{BUSY}$ | $\overline{EXT}/\overline{INT}$ | DATACLK | OPERATION  |
|-----------------|------------------|-------------------|---------------------------------|---------|--|
| ↓               | 0                | 1                 | 0                               | Output  | Initiates conversion 'n'. Valid data from conversion 'n - 1' clocked out on SDATA.   |
| 0               | ↓                | 1                 | 0                               | Output  | Initiates conversion 'n'. Valid data from conversion 'n - 1' clocked out on SDATA.   |
| ↓               | 0                | 1                 | 1                               | Input   | Initiates conversion 'n'. Internal clock still runs conversion process.  |
| 0               | ↓                | 1                 | 1                               | Input   | Initiates conversion 'n'. Internal clock still runs conversion process.  |
| ↓               | 1                | 1                 | 1                               | Input   | Conversion 'n' completed. Valid data from conversion 'n' clocked out on SDATA synchronized to external data clock.   |
| ↓               | 1                | 0                 | 1                               | Input   | Valid data from conversion 'n - 1' output on SDATA synchronized to external data clock. Conversion 'n' in progress.  |
| 0               | ↑                | 0                 | 1                               | Input   | Valid data from conversion 'n - 1' output on SDATA synchronized to external data clock. Conversion 'n' in progress.  |
| 0               | 0                | ↑                 | X                               | X       | New conversion initiated without acquisition of a new signal. Data will be invalid. $\overline{CS}$ and/or $R/\overline{C}$ must be HIGH when $\overline{BUSY}$ goes HIGH. |
| X               | X                | 0                 | X                               | X       | New convert commands ignored. Conversion 'n' in progress.  |

NOTE: (1) See Figures 4, 5, and 6 for constraints on data valid from conversion 'n - 1'.

TABLE III. Control Functions When Using Serial Output.

| DESCRIPTION                 | ANALOG INPUT |                  |                  | DIGITAL OUTPUT                          |          |                                  |          |
|-----------------------------|--------------|------------------|------------------|---|----------|----------------------------------|----------|
|                             | ±10<br>305µV | 0V to 5V<br>76µV | 0V to 4V<br>61µV | BINARY TWO'S COMPLEMENT<br>(SB/BTC LOW) |          | STRAIGHT BINARY<br>(SB/BTC HIGH) |          |
|                             |              |                  |                  | BINARY CODE                             | HEX CODE | BINARY CODE                      | HEX CODE |
| Full-Scale Range            |              |                  |                  | 0111 1111 1111 1111                     | 7FFF     | 1111 1111 1111 1111              | FFFF     |
| Least Significant Bit (LSB) |              |                  |                  | 0000 0000 0000 0000                     | 0000     | 1000 0000 0000 0000              | 8000     |
| +Full-Scale (FS - 1LSB)     | 9.999695V    | 4.999924V        | 3.999939V        | 1111 1111 1111 1111                     | FFFF     | 0111 1111 1111 1111              | 7FFF     |
| Midscale                    | 0V           | 2.5V             | 2V               | 1000 0000 0000 0000                     | 8000     | 0000 0000 0000 0000              | 0000     |
| One LSB Below Midscale      | -305µV       | 2.499924V        | 1.999939V        |   |          |                                  |          |
| -Full-Scale                 | -10V         | 0V               | 0V               |   |          |                                  |          |

TABLE IV. Output Codes and Ideal Input Voltages.

$\overline{CS}$  and  $R/\overline{C}$  are internally OR'ed and level triggered. There is not a requirement which input goes LOW first when initiating a conversion. If, however, it is critical that  $\overline{CS}$  or  $R/\overline{C}$  initiates conversion 'n', be sure the less critical input is LOW at least 10ns prior to the initiating input. If  $\overline{EXT}/\overline{INT}$  (pin 8) is LOW when initiating conversion 'n', serial data from conversion 'n - 1' will be output on SDATA (pin 19) following the start of conversion 'n'. See *Internal Data Clock* in the **Reading Data** section.

To reduce the number of control pins,  $\overline{CS}$  can be tied LOW using  $R/\overline{C}$  to control the read and convert modes. This will have no effect when using the internal data clock in the serial output mode. The parallel output and the serial output (only when using an external data clock), however, will be affected whenever  $R/\overline{C}$  goes HIGH. Refer to the **Reading Data** section.

## READING DATA

The ADS7807 outputs serial or parallel data in Straight Binary (SB) or Binary Two's Complement data output format. If  $\overline{SB}/\overline{BTC}$  (pin 7) is HIGH, the output will be in SB format, and if LOW, the output will be in BTC format. Refer to Table IV for ideal output codes.

The parallel output can be read without affecting the internal output registers; however, reading the data through the serial port will shift the internal output registers one bit per data

clock pulse. As a result, data can be read on the parallel port prior to reading the same data on the serial port, but data cannot be read through the serial port prior to reading the same data on the parallel port.

**PARALLEL OUTPUT**

To use the parallel output, tie EXT/INT (pin 8) HIGH and DATACLK (pin 18) LOW. SDATA (pin 19) should be left unconnected. The parallel output will be active when R/C (pin 22) is HIGH and CS (pin 23) is LOW. Any other combination of CS and R/C will tri-state the parallel output. Valid conversion data can be read in two 8-bit bytes on D7-D0 (pins 9-13 and 15-17). When BYTE (pin 21) is LOW, the 8 most significant bits will be valid with the MSB on D7. When BYTE is HIGH, the 8 least significant bits will be valid with the LSB on D0. BYTE can be toggled to read both bytes within one conversion cycle.

Upon initial power up, the parallel output will contain indeterminate data.

**PARALLEL OUTPUT (AFTER A CONVERSION)**

After conversion 'n' is completed and the output registers have been updated, BUSY (pin 24) will go HIGH. Valid data from conversion 'n' will be available on D7-D0 (pins 9-13 and 15-17). BUSY going high can be used to latch the data. Refer to Table V and Figures 2 and 3 for timing constraints.

**PARALLEL OUTPUT (DURING A CONVERSION)**

After conversion 'n' has been initiated, valid data from conversion 'n - 1' can be read and will be valid up to 12µs after the start of conversion 'n'. Do not attempt to read data beyond 12µs after the start of conversion 'n' until BUSY (pin 24) goes HIGH; this may result in reading invalid data. Refer to Table V and Figures 2 and 3 for timing constraints.

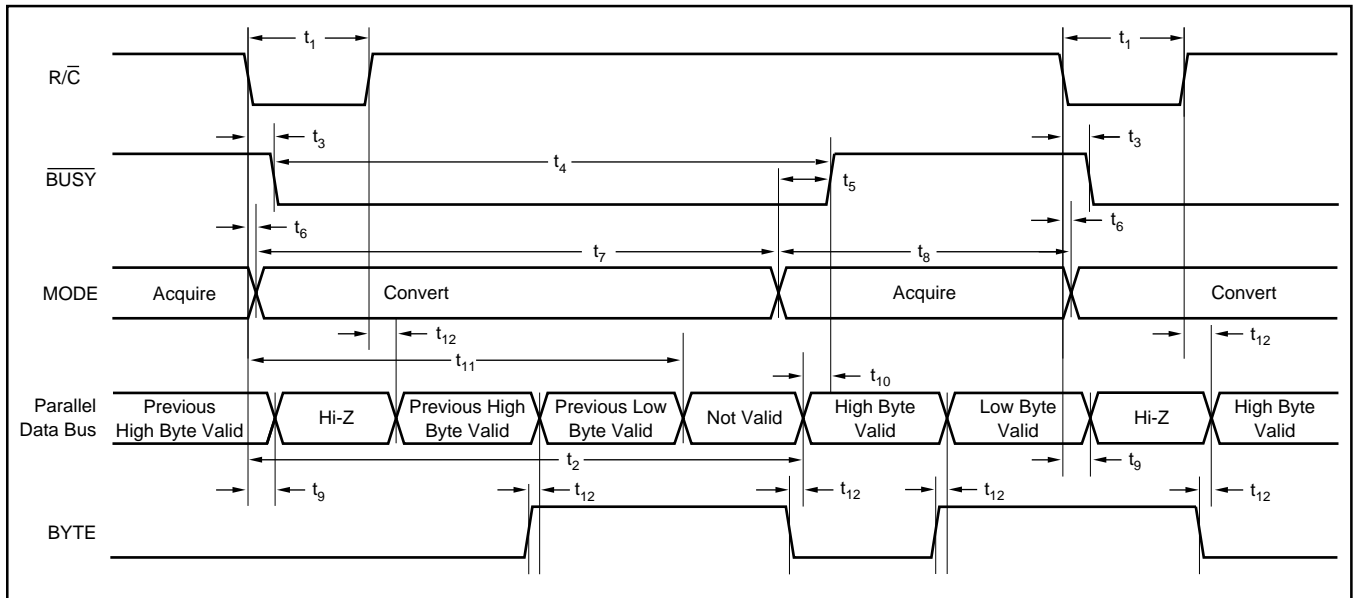


FIGURE 2. Conversion Timing with Parallel Output (CS and DATACLK tied LOW, EXT/INT tied HIGH).

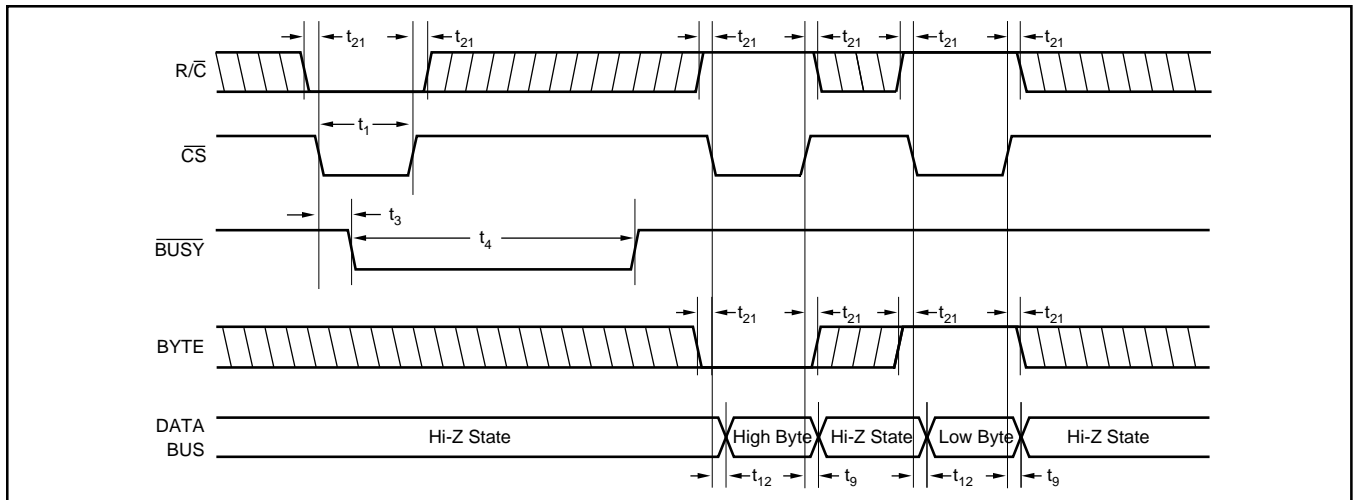


FIGURE 3. Using CS to Control Conversion and Read Timing with Parallel Outputs.

| SYMBOL                              | DESCRIPTION                                   | MIN  | TYP  | MAX  | UNITS |
|-------------------------------------|---|------|------|------|-------|
| t <sub>1</sub>                      | Convert Pulse Width                           | 0.04 |      | 12   | μs    |
| t <sub>2</sub> <sup>(1)</sup>       | Data Valid Delay after R/C LOW                |      | 18   | 20   | μs    |
| t <sub>3</sub> <sup>(1)</sup>       | BUSY Delay from Start of Conversion           |      | 12   | 85   | ns    |
| t <sub>4</sub> <sup>(1)</sup>       | BUSY LOW                                      |      | 18   | 20   | μs    |
| t <sub>5</sub>                      | BUSY Delay after End of Conversion            |      | 90   |      | ns    |
| t <sub>6</sub>                      | Aperture Delay                                |      | 40   |      | ns    |
| t <sub>7</sub> <sup>(1)</sup>       | Conversion Time                               |      | 18   | 20   | μs    |
| t <sub>8</sub> <sup>(1)</sup>       | Acquisition Time                              | 5    | 7    |      | μs    |
| t <sub>9</sub>                      | Bus Relinquish Time                           | 10   |      | 83   | ns    |
| t <sub>10</sub>                     | BUSY Delay after Data Valid                   | 20   | 60   |      | ns    |
| t <sub>11</sub> <sup>(1)</sup>      | Previous Data Valid after Start of Conversion | 12   | 18   |      | μs    |
| t <sub>12</sub> <sup>(1)</sup>      | Bus Access Time and BYTE Delay                |      | 10   | 83   | ns    |
| t <sub>13</sub> <sup>(1)</sup>      | Start of Conversion to DATACLK Delay          |      | 2.4  |      | μs    |
| t <sub>14</sub> <sup>(1)</sup>      | DATACLK Period                                | 0.6  | 0.82 | 0.85 | μs    |
| t <sub>15</sub> <sup>(1)</sup>      | Data Valid to DATACLK HIGH Delay              | 150  | 200  |      | ns    |
| t <sub>16</sub> <sup>(1)</sup>      | Data Valid after DATACLK LOW Delay            | 150  | 200  |      | ns    |
| t <sub>17</sub>                     | External DATACLK Period                       | 100  |      |      | ns    |
| t <sub>18</sub>                     | External DATACLK LOW                          | 40   |      |      | ns    |
| t <sub>19</sub>                     | External DATACLK HIGH                         | 50   |      |      | ns    |
| t <sub>20</sub>                     | CS and R/C to External DATACLK Setup Time     | 25   |      |      | ns    |
| t <sub>21</sub>                     | R/C to CS Setup Time                          | 10   |      |      | ns    |
| t <sub>22</sub> <sup>(1)</sup>      | Valid Data after DATACLK HIGH                 | 2    | 12   |      | ns    |
| t <sub>7</sub> + t <sub>8</sub>     | Throughput Time                               |      |      | 25   | μs    |
| <b>DIP (NT) PACKAGE ONLY TIMING</b> |   |      |      |      |       |
| t <sub>2</sub>                      | Data Valid Delay after R/C LOW                |      | 19   | 20   | μs    |
| t <sub>3</sub>                      | BUSY Delay from Start of Conversion           |      |      | 85   | ns    |
| t <sub>4</sub>                      | BUSY LOW                                      |      | 19   | 20   | μs    |
| t <sub>7</sub>                      | Conversion Time                               |      | 19   | 20   | μs    |
| t <sub>8</sub>                      | Acquisition Time                              |      |      | 5    | μs    |
| t <sub>11</sub>                     | Previous Data Valid after Start of Conversion | 12   | 19   |      | μs    |
| t <sub>12</sub>                     | Bus Access Time and BYTE Delay                |      |      | 83   | ns    |
| t <sub>13</sub>                     | Start of Conversion to DATACLK Delay          |      | 1.4  |      | μs    |
| t <sub>14</sub>                     | DATACLK Period                                |      | 1.1  |      | μs    |
| t <sub>15</sub>                     | Data Valid to DATACLK HIGH Delay              | 20   | 75   |      | ns    |
| t <sub>16</sub>                     | Data Valid after DATACLK LOW Delay            | 400  | 600  |      | ns    |
| t <sub>22</sub>                     | Valid Data after DATACLK HIGH                 | 25   |      |      | ns    |

NOTE: (1) See the bottom part of this table if using the DIP (NT) package.

TABLE V. Conversion and Data Timing. T<sub>A</sub> = -40°C to +85°C.

### SERIAL OUTPUT

Data can be clocked out with the internal data clock or an external data clock. When using serial output, be careful with the parallel outputs, D7-D0 (pins 9-13 and 15-17), as these pins will come out of Hi-Z state whenever CS (pin 23) is LOW and R/C (pin 22) is HIGH. The serial output can not be tri-stated and is always active. Refer to the **Applications Information** section for specific serial interfaces.

### INTERNAL DATA CLOCK (During a Conversion)

To use the internal data clock, tie EXT/INT (pin 8) LOW. The combination of R/C (pin 22) and CS (pin 23) LOW will initiate conversion 'n' and activate the internal data clock (typically 900kHz clock rate). The ADS7807 will output 16 bits of valid data, MSB first, from conversion 'n-1' on SDATA (pin 19), synchronized to 16 clock pulses output on DATACLK (pin 18). The data will be valid on both the rising and falling edges of the internal data clock. The rising edge of BUSY (pin 24) can be used to latch the data. After the 16th clock pulse, DATACLK will remain LOW until the next conversion is initiated, while SDATA will go to whatever logic level was input on TAG (pin 20) during the first clock pulse. Refer to Table V and Figure 4.

### EXTERNAL DATA CLOCK

To use an external data clock, tie EXT/INT (pin 8) HIGH. The external data clock is not a conversion clock; it can only be used as a data clock. To enable the output mode of the ADS7807, CS (pin 23) must be LOW and R/C (pin 22) must be HIGH. DATACLK must be HIGH for 20% to 70% of the total data clock period; the clock rate can be between DC and 10MHz. Serial data from conversion 'n' can be output on SDATA (pin 19) after conversion 'n' is completed or during conversion 'n + 1'.

An obvious way to simplify control of the converter is to tie CS LOW and use R/C to initiate conversions.

While this is perfectly acceptable, there is a possible problem when using an external data clock. At an indeterminate point from 12μs after the start of conversion 'n' until BUSY rises, the internal logic will shift the results of conversion 'n' into the output register. If CS is LOW, R/C HIGH, and the external clock is HIGH at this point, data will be lost. So, with CS LOW, either R/C and/or DATACLK must be LOW during this period to avoid losing valid data.

### EXTERNAL DATA CLOCK (After a Conversion)

After conversion 'n' is completed and the output registers have been updated, BUSY (pin 24) will go HIGH. With CS LOW and R/C HIGH, valid data from conversion 'n' will be output on SDATA (pin 19) synchronized to the external data clock input on DATACLK (pin 18). The MSB will be valid on the first falling edge and the second rising edge of the external data clock. The LSB will be valid on the 16th falling edge and 17th rising edge of the data clock. TAG (pin 20) will input a bit of data for every external clock pulse. The first bit input on TAG will be valid on SDATA on the 17th falling edge and the 18th rising edge of DATACLK; the second input bit will be valid on the 18th falling edge and the 19th rising edge, etc. With a continuous data clock, TAG data will be output on SDATA until the internal output registers are updated with the results from the next conversion. Refer to Table V and Figure 5.

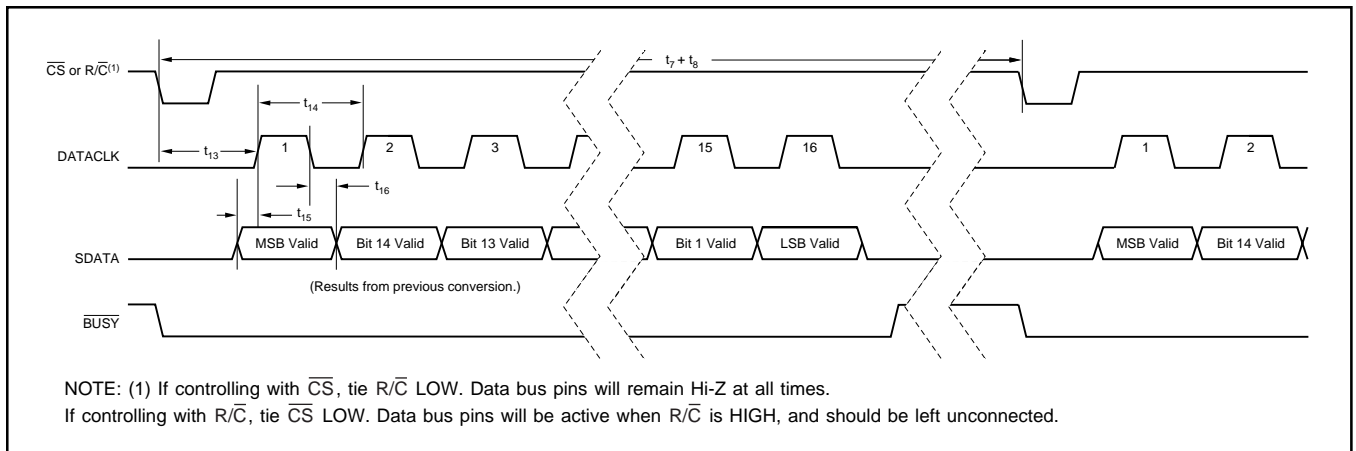


FIGURE 4. Serial Data Timing Using Internal Data Clock (TAG tied LOW).

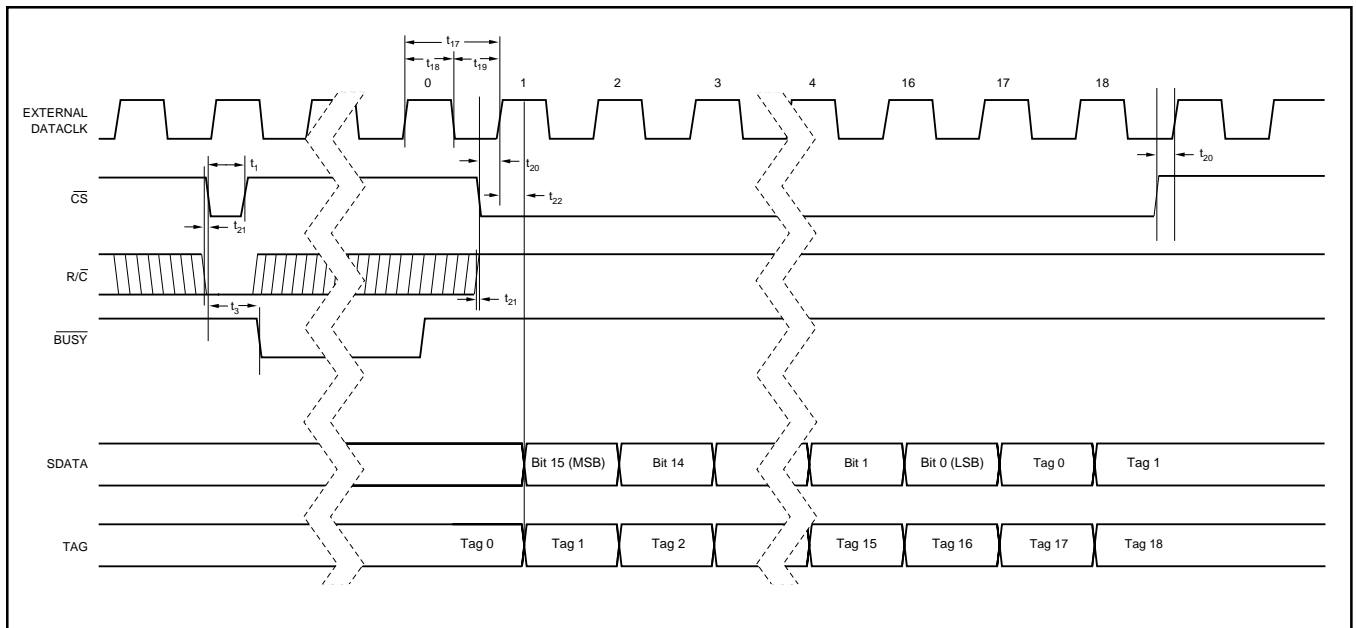


FIGURE 5. Conversion and Read Timing with External Clock (EXT/ $\overline{INT}$  Tied HIGH) Read after Conversion.

**EXTERNAL DATA CLOCK  
(During a Conversion)**

After conversion 'n' has been initiated, valid data from conversion 'n - 1' can be read and will be valid up to 12μs after the start of conversion 'n'. Do not attempt to clock out data from 12μs after the start of conversion 'n' until  $\overline{\text{BUSY}}$  (pin 24) rises; this will result in data loss. NOTE: For the best possible performance when using an external data clock, data should not be clocked out during a conversion. The switching noise of the asynchronous data clock can cause digital feedthrough degrading the converter's performance. Refer to Table V and Figure 6.

**TAG FEATURE**

TAG (pin 20) inputs serial data synchronized to the external or internal data clock.

When using an external data clock, the serial bit stream input on TAG will follow the LSB output on SDATA until the internal output register is updated with new conversion results. See Table V and Figures 5 and 6.

The logic level input on TAG for the first rising edge of the internal data clock will be valid on SDATA after all 16 bits of valid data have been output.

**INPUT RANGES**

The ADS7807 offers three input ranges: standard ±10V and 0V-5V, and a 0V-4V range for complete, single-supply systems. See Figures 7a and 7b for the necessary circuit connections for implementing each input range and optional offset and gain adjust circuitry. Offset and full-scale error<sup>(1)</sup> specifications are tested with the fixed resistors, see Figure 7b. Adjustments for offset and gain are described in the **Calibration** section of this data sheet.

The offset and gain are adjusted internally to allow external trimming with a single supply. The external resistors compensate for this adjustment and can be left out if the offset and gain will be corrected in software (refer to the **Calibration** section).

The input impedance, summarized in Table II, results from the combination of the internal resistor network (see the front page of this product data sheet) and the external resistors used for each input range (see Figure 8). The input resistor divider network provides inherent over-voltage protection to at least ±5.5V for R<sub>2IN</sub> and ±12V for R<sub>1IN</sub>.

Analog inputs above or below the expected range will yield either positive full-scale or negative full-scale digital outputs, respectively. Wrapping or folding over for analog inputs outside the nominal range will not occur.

NOTE: (1) Full-scale error includes offset and gain errors measured at both +FS and -FS.

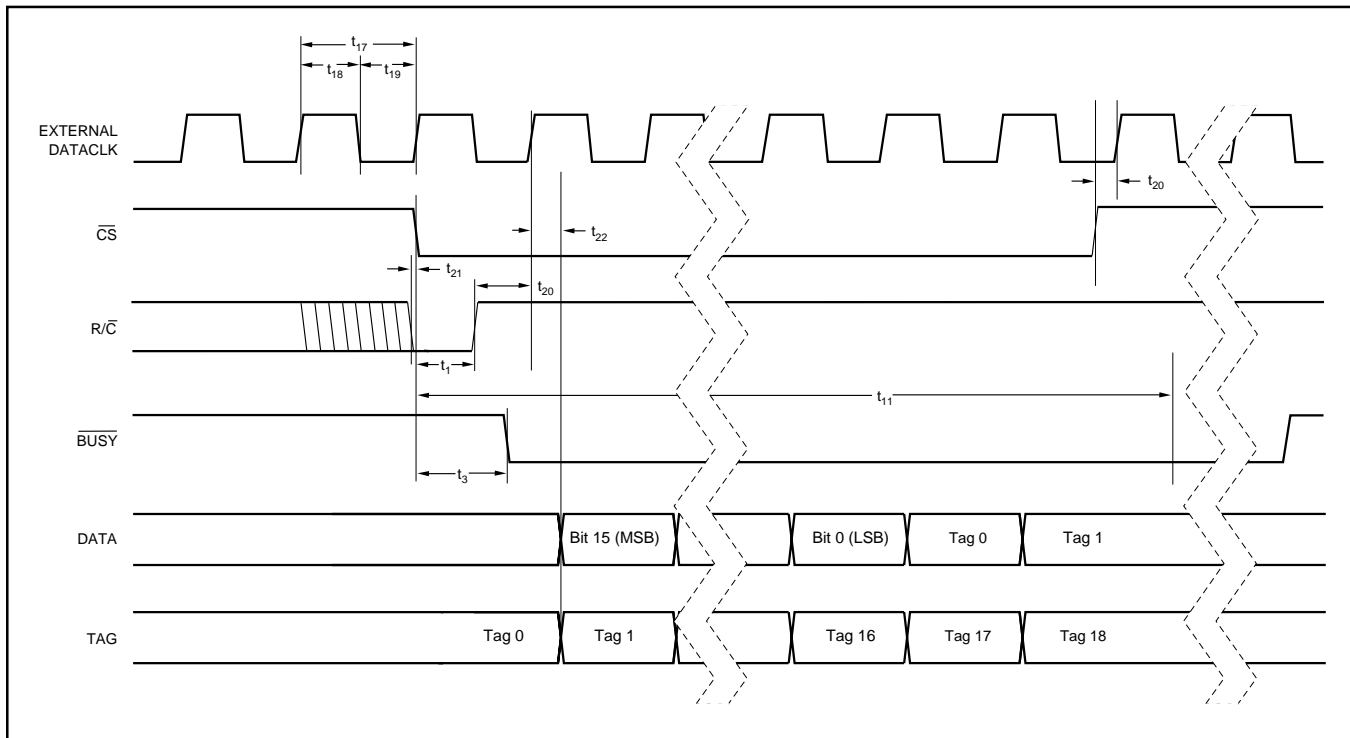


FIGURE 6. Conversion and Read Timing with External Clock (EXT/ $\overline{\text{INT}}$  tied HIGH) Read During a Conversion.

# CALIBRATION

## HARDWARE CALIBRATION

To calibrate the offset and gain of the ADS7807 in hardware, install the resistors shown in Figure 7a. Table VI lists the hardware trim ranges relative to the input for each input range.

| INPUT RANGE | OFFSET ADJUST RANGE (mV) | GAIN ADJUST RANGE (mV) |
|-------------|--------------------------|------------------------|
| ±10V        | ±15                      | ±60                    |
| 0 to 5V     | ±4                       | ±30                    |
| 0 to 4V     | ±3                       | ±30                    |

TABLE VI. Offset and Gain Adjust Ranges for Hardware Calibration (see Figure 7a).

## SOFTWARE CALIBRATION

To calibrate the offset and gain in software, no external resistors are required. However, to get the data sheet specifications for offset and gain, the resistors shown in Figure 7b are necessary. See the **No Calibration** section for more details on the external resistors. Refer to Table VIII for the range of offset and gain errors with and without the external resistors.

## NO CALIBRATION

Figure 7b shows circuit connections. Note that the actual voltage dropped across the external resistors is at least two orders of magnitude lower than the voltage dropped across the internal resistor divider network. This should be considered when choosing the accuracy and drift specifications of the external resistors. In most applications, 1% metal-film resistors will be sufficient.

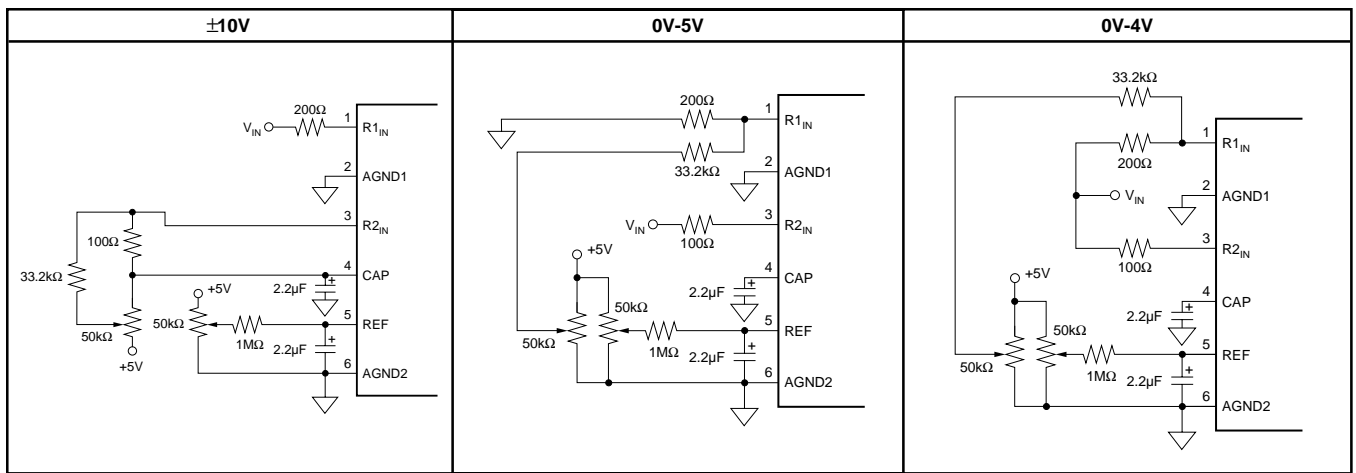


FIGURE 7a. Circuit Diagrams (With Hardware Trim).

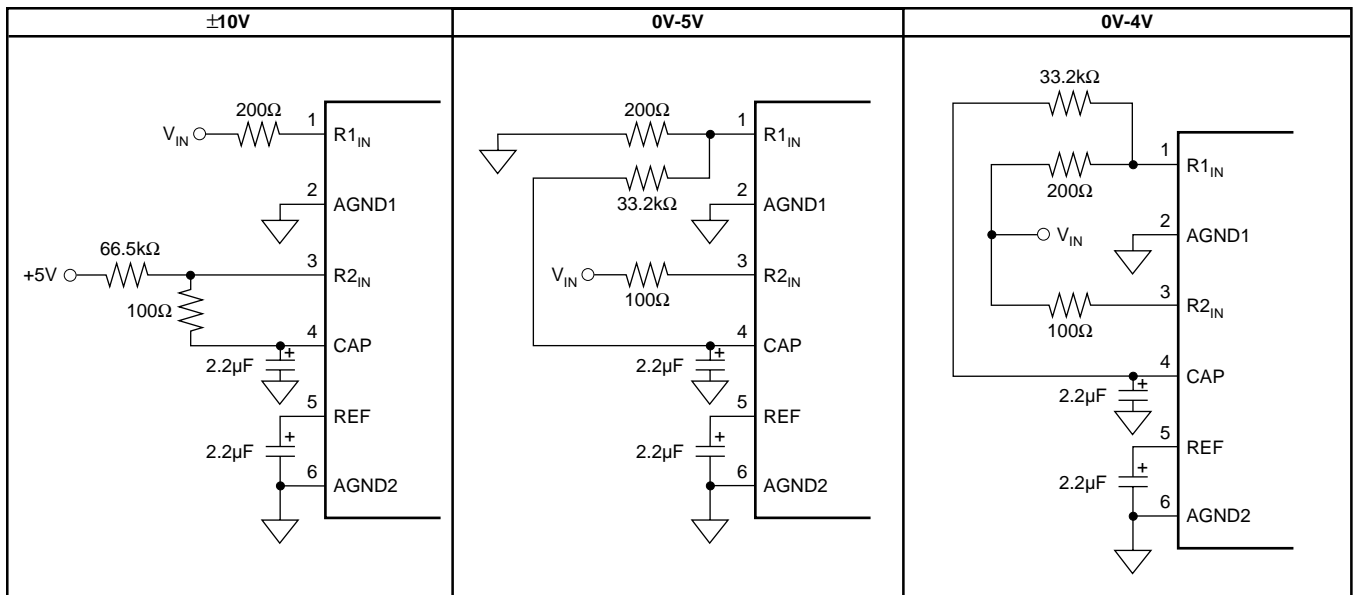


FIGURE 7b. Circuit Diagrams (Without Hardware Trim).

The external resistors (see Figure 7b) may not be necessary in some applications. These resistors provide compensation for an internal adjustment of the offset and gain which allows calibration with a single supply. Not using the external resistors will result in offset and gain errors in addition to those listed in the **Electrical Characteristics** section. Offset refers to the equivalent voltage of the digital output when converting with the input grounded. A positive gain error occurs when the equivalent output voltage of the digital output is larger than the analog input. Refer to Table VII for nominal ranges of gain and offset errors with and without the external resistors. Refer to Figure 8 for typical shifts in the transfer functions which occur when the external resistors are removed.

To further analyze the effects of removing any combination of the external resistors, consider Figure 9. The combination of the external and the internal resistors form a voltage divider

which reduces the input signal to a 0.3125V to 2.8125V input range at the Capacitor Digital-to-Analog Converter (CDAC). The internal resistors are laser trimmed to high relative accuracy to meet full scale specifications. The actual input impedance of the internal resistor network looking into pin 1 or pin 3 however, is only accurate to  $\pm 20\%$  due to process variations. This should be taken into account when determining the effects of removing the external resistors.

## REFERENCE

The ADS7807 can operate with its internal 2.5V reference or an external reference. By applying an external reference to pin 5, the internal reference can be bypassed; REFD (pin 26) tied HIGH will power-down the internal reference reducing the overall power consumption of the ADS7807 by approximately 5mW.

| INPUT RANGE (V) | OFFSET ERROR                  |                                   |          | GAIN ERROR   |   |                |
|-----------------|-------------------------------|-----------------------------------|----------|--|---|----------------|
|                 | WITH RESISTORS                | WITHOUT RESISTORS                 |          | WITH RESISTORS   | WITHOUT RESISTORS   |                |
|                 | RANGE (mV)                    | RANGE (mV)                        | TYP (mV) | RANGE (% FS)   | RANGE (% FS)  | TYP            |
| $\pm 10$        | $-10 \leq \text{BPZ} \leq 10$ | $0 \leq \text{BPZ} \leq 35$       | 15       | $-0.4 \leq G \leq 0.4$<br>$0.15 \leq G^{(1)} \leq 0.15$  | $-0.3 \leq G \leq 0.5$<br>$-0.1 \leq G^{(1)} \leq 0.2$    | +0.05<br>+0.05 |
| 0 to 5          | $-3 \leq \text{UPO} \leq 3$   | $-12 \leq \text{UPO} \leq -3$     | -7.5     | $-0.4 \leq G \leq 0.4$<br>$0.15 \leq G^{(1)} \leq 0.15$  | $-1.0 \leq G \leq 0.1$<br>$-0.55 \leq G^{(1)} \leq -0.05$ | -0.2<br>-0.2   |
| 0 to 4          | $-3 \leq \text{UPO} \leq 3$   | $-10.5 \leq \text{UPO} \leq -1.5$ | -6       | $-0.4 \leq G \leq 0.4$<br>$-0.15 \leq G^{(1)} \leq 0.15$ | $-1.0 \leq G \leq 0.1$<br>$-0.55 \leq G^{(1)} \leq -0.05$ | -0.2<br>-0.2   |

NOTE: (1) High Grade.

TABLE VII. Range of Offset and Gain Errors With and Without External Resistors.

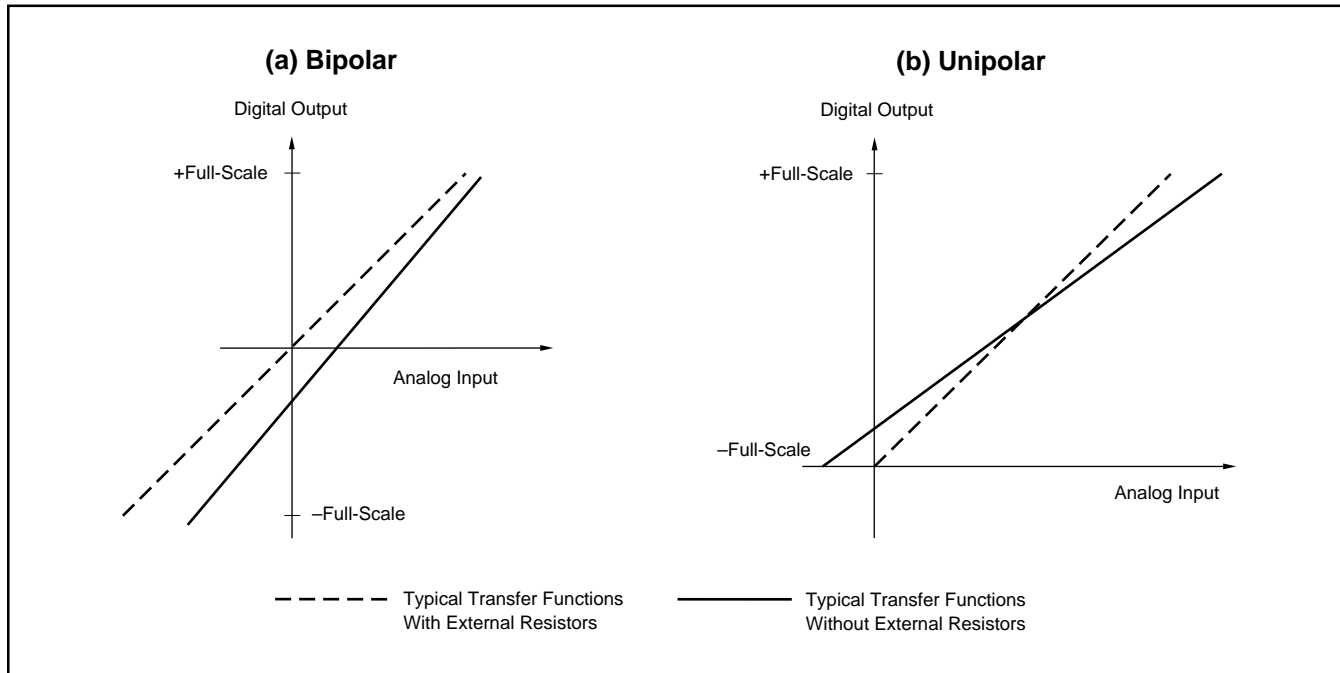


FIGURE 8. Typical Transfer Functions With and Without External Resistors.

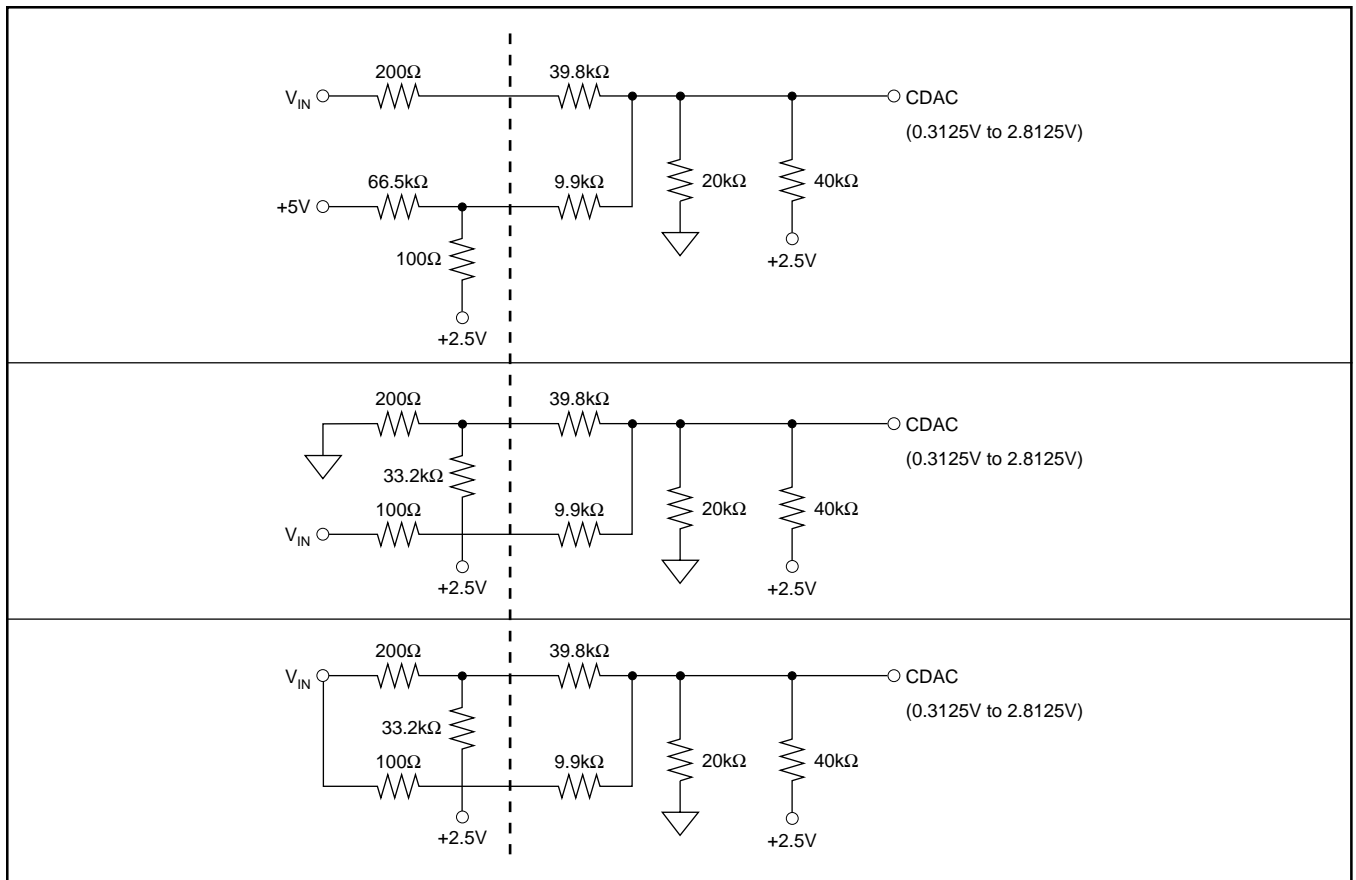


FIGURE 9. Circuit Diagrams Showing External and Internal Resistors.

The internal reference has approximately an 8ppm/°C drift (typical) and accounts for approximately 20% of the full-scale error (FSE = ±0.5% for low grade, ±0.25% for high grade).

The ADS7807 also has an internal buffer for the reference voltage. Figure 10 shows characteristic impedances at the input and output of the buffer with all combinations of power-down and reference down.

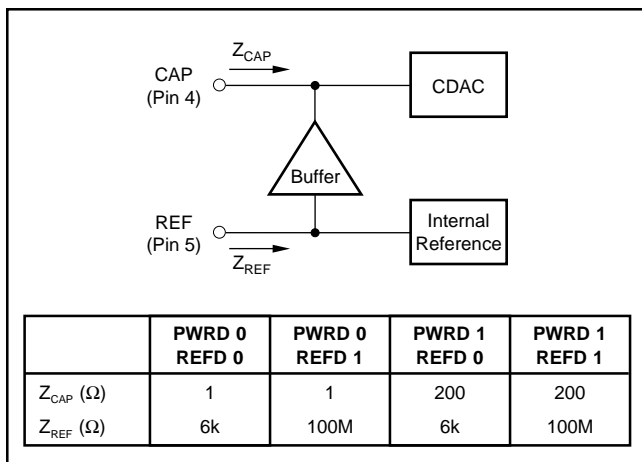


FIGURE 10. Characteristic Impedances of Internal Buffer.

**REF**

REF (pin 5) is an input for an external reference or the output for the internal 2.5V reference. A 2.2μF tantalum capacitor should be connected as close as possible to the REF pin from ground. This capacitor and the output resistance of REF create a low-pass filter to bandlimit noise on the reference. Using a smaller value capacitor will introduce more noise to the reference, degrading the SNR and SINAD. The REF pin should not be used to drive external AC or DC loads, as shown in Figure 10.

The range for the external reference is 2.3V to 2.7V and determines the actual LSB size. Increasing the reference voltage will increase the full-scale range and the LSB size of the converter which can improve the SNR.

**CAP**

CAP (pin 4) is the output of the internal reference buffer. A 2.2μF tantalum capacitor should be placed as close as possible to the CAP pin from ground to provide optimum switching currents for the CDAC throughout the conversion cycle. This capacitor also provides compensation for the output of the buffer. Using a capacitor any smaller than 1μF can cause the output buffer to oscillate and may not have sufficient charge for the CDAC. Capacitor values larger than 2.2μF will have little affect on improving performance. See Figures 10 and 11.

The output of the buffer is capable of driving up to 1mA of current to a DC load. Using an external buffer will allow the internal reference to be used for larger DC loads and AC loads. Do not attempt to directly drive an AC load with the output voltage on CAP. This will cause performance degradation of the converter.

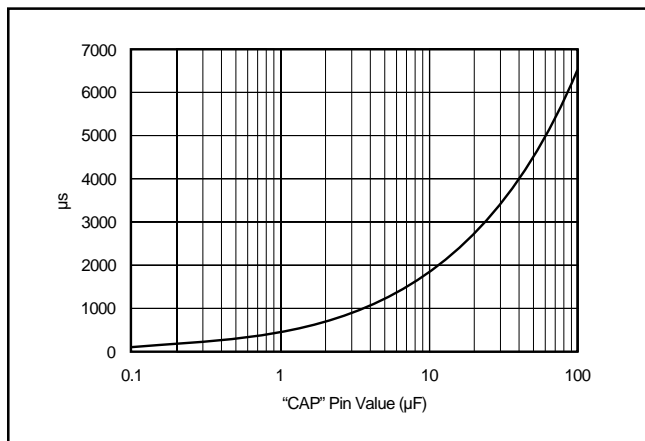


FIGURE 11. Power-Down to Power-Up Time vs Capacitor Value on CAP.

## REFERENCE AND POWER-DOWN

The ADS7807 has analog power-down and reference power down capabilities via PWRD (pin 25) and REFD (pin 26), respectively. PWRD and REFD HIGH will power-down all analog circuitry maintaining data from the previous conversion in the internal registers, provided that the data has not already been shifted out through the serial port. Typical power consumption in this mode is 50µW. Power recovery is typically 1ms, using a 2.2µF capacitor connected to CAP. Figure 11 shows power-down to power-up recovery time relative to the capacitor value on CAP. With +5V applied to  $V_{DIG}$ , the digital circuitry of the ADS7807 remains active at all times, regardless of PWRD and REFD states.

### PWRD

PWRD HIGH will power-down all of the analog circuitry except for the reference. Data from the previous conversion will be maintained in the internal registers and can still be read. With PWRD HIGH, a convert command yields meaningless data.

### REFD

REFD HIGH will power-down the internal 2.5V reference. All other analog circuitry, including the reference buffer, will be active. REFD should be HIGH when using an external reference to minimize power consumption and the loading effects on the external reference. See Figure 10 for the characteristic impedance of the reference buffer's input for both REFD HIGH and LOW. The internal reference consumes approximately 5mW.

## LAYOUT

### POWER

For optimum performance, tie the analog and digital power pins to the same +5V power supply and tie the analog and digital grounds together. As noted in the electrical characteristics, the ADS7807 uses 90% of its power for the analog circuitry. The ADS7807 should be considered as an analog component.

The +5V power for the A/D converter should be separate from the +5V used for the system's digital logic. Connecting  $V_{DIG}$  (pin 28) directly to a digital supply can reduce converter performance due to switching noise from the digital logic. For best performance, the +5V supply can be produced from whatever analog supply is used for the rest of the analog signal conditioning. If +12V or +15V supplies are present, a simple +5V regulator can be used. Although it is not suggested, if the digital supply must be used to power the converter, be sure to properly filter the supply. Either using a filtered digital supply or a regulated analog supply, both  $V_{DIG}$  and  $V_{ANA}$  should be tied to the same +5V source.

### GROUNDING

Three ground pins are present on the ADS7807.  $D_{GND}$  is the digital supply ground.  $A_{GND2}$  is the analog supply ground.  $A_{GND1}$  is the ground to which all analog signals internal to the A/D converter are referenced.  $A_{GND1}$  is more susceptible to current induced voltage drops and must have the path of least resistance back to the power supply.

All the ground pins of the A/D converter should be tied to an analog ground plane, separated from the system's digital logic ground, to achieve optimum performance. Both analog and digital ground planes should be tied to the "system" ground as near to the power supplies as possible. This helps to prevent dynamic digital ground currents from modulating the analog ground through a common impedance to power ground.

### SIGNAL CONDITIONING

The FET switches used for the sample hold on many CMOS A/D converters release a significant amount of charge injection which can cause the driving op amp to oscillate. The amount of charge injection due to the sampling FET switch on the ADS7807 is approximately 5% to 10% of the amount on similar A/D converters with the charge redistribution Digital-to-Analog Converter (DAC) CDAC architecture. There is also a resistive front end which attenuates any charge which is released. The end result is a minimal requirement for the drive capability on the signal conditioning preceding the A/D converter. Any op amp sufficient for the signal in an application will be sufficient to drive the ADS7807.

The resistive front end of the ADS7807 also provides a specified  $\pm 25V$  over-voltage protection. In most cases, this eliminates the need for external over-voltage protection circuitry.

### INTERMEDIATE LATCHES

The ADS7807 does have tri-state outputs for the parallel port, but intermediate latches should be used if the bus will be active during conversions. If the bus is not active during conversion, the tri-state outputs can be used to isolate the A/D converter from other peripherals on the same bus.

Intermediate latches are beneficial on any monolithic A/D converter. The ADS7807 has an internal LSB size of  $38\mu\text{V}$ . Transients from fast switching signals on the parallel port, even when the A/D converter is tri-stated, can be coupled through the substrate to the analog circuitry causing degradation of converter performance.

## APPLICATIONS INFORMATION

### TRANSITION NOISE

Apply a DC input to the ADS7807 and initiate 1000 conversions. The digital output of the converter will vary in output codes due to the internal noise of the ADS7807. This is true for all 16-bit SAR converters. The transition noise specification found in the **Electrical Characteristics** section is a statistical figure which represents the one sigma limit or rms value of these output codes.

Using a histogram to plot the output codes, the distribution should appear bell-shaped with the peak of the bell curve representing the nominal output code for the input voltage value. The  $\pm 1\sigma$ ,  $\pm 2\sigma$ , and  $\pm 3\sigma$  distributions will represent 68.3%, 95.5%, and 99.7% of all codes. Multiplying TN by 6 will yield the  $\pm 3\sigma$  distribution or 99.7% of all codes. Statistically, up to 3 codes could fall outside the 5 code distribution when executing 1000 conversions. The ADS7807 has a TN of 0.8LSBs which yields 5 output codes for a  $\pm 3\sigma$  distribution. Figures 12 and 13 show 1000 and 10000 conversion histogram results.

### AVERAGING

The noise of the converter can be compensated by averaging the digital codes. By averaging conversion results, transition noise will be reduced by a factor of  $1/\sqrt{n}$  where n is the number of averages. For example, averaging four conversion results will reduce the TN by 1/2 to 0.4LSBs. Averaging should only be used for input signals with frequencies near DC.

For AC signals, a digital filter can be used to low-pass filter and decimate the output codes. This works in a similar manner to averaging: for every decimation by 2, the signal-to-noise ratio will improve 3dB.

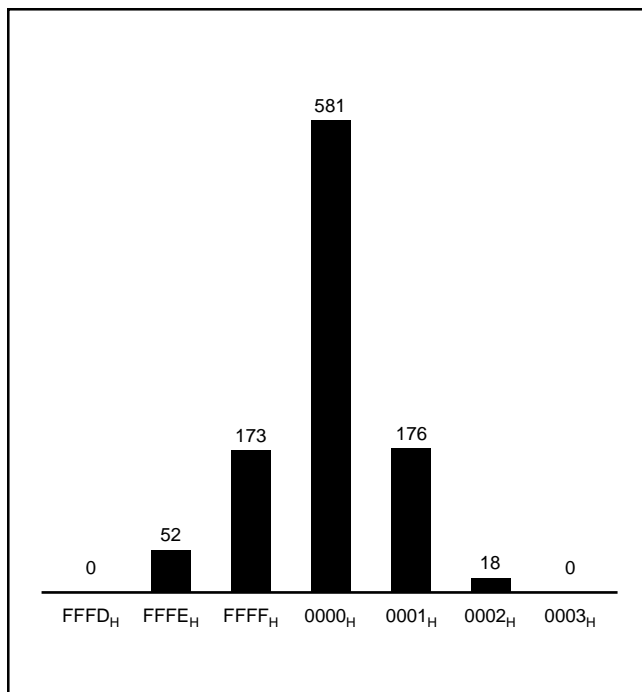


FIGURE 12. Histogram of 1000 Conversions with Input Grounded.

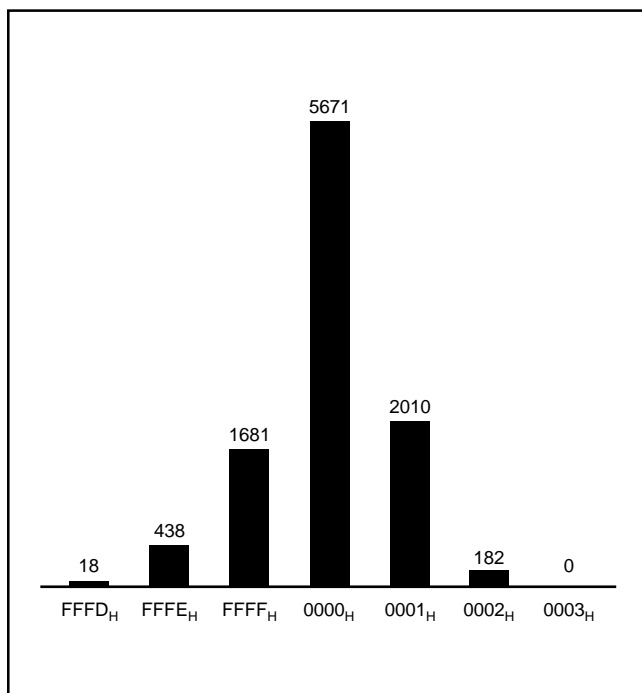


FIGURE 13. Histogram of 10000 Conversions with Input Grounded.



### DSP56000 INTERFACING

The DSP56000 serial interface has SPI compatibility mode with some enhancements. Figure 16 shows an interface between the ADS7807 and the DSP56000 which is very similar to the QSPI interface seen in Figure 14. As mentioned in the **QSPI** section, the DSP56000 must be programmed to enable the interface when a LOW to HIGH transition on SC1 is observed ( $\overline{\text{BUSY}}$  going HIGH at the end of conversion).

The DSP56000 can also provide the convert pulse by including a monostable multi-vibrator, as seen in Figure 17. The receive and transmit sections of the interface are decoupled (asynchronous mode) and the transmit section is set to generate a word length frame sync every other transmit frame (frame rate divider set to 2). The prescale modulus should be set to 3.

The monostable multi-vibrator in this circuit will provide varying pulse widths for the convert pulse. The pulse width will be determined by the external R and C values used with the multi-vibrator. The 74HCT123N data sheet shows that the pulse width is  $(0.7) RC$ . Choosing a pulse width as close to the minimum value specified in this data sheet will offer the best performance. See the **Starting A Conversion** section of this data sheet for details on the conversion pulse width.

The maximum conversion rate for a 20.48MHz DSP56000 is exactly 40kHz. Note that this will not be the case for the ADS7806. See the ADS7806 data sheet (SBAS021B) for more information.

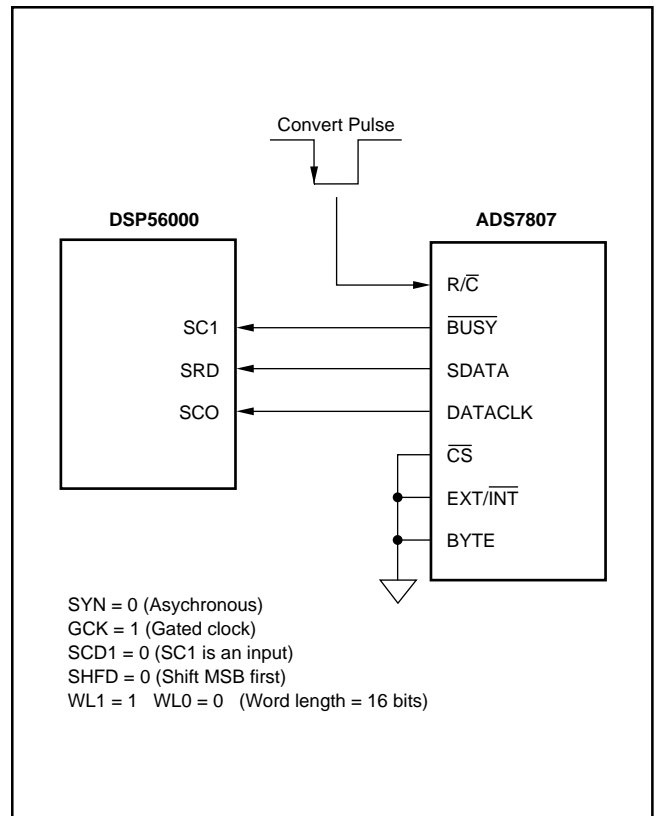


FIGURE 16. DSP56000 Interface to the ADS7807.

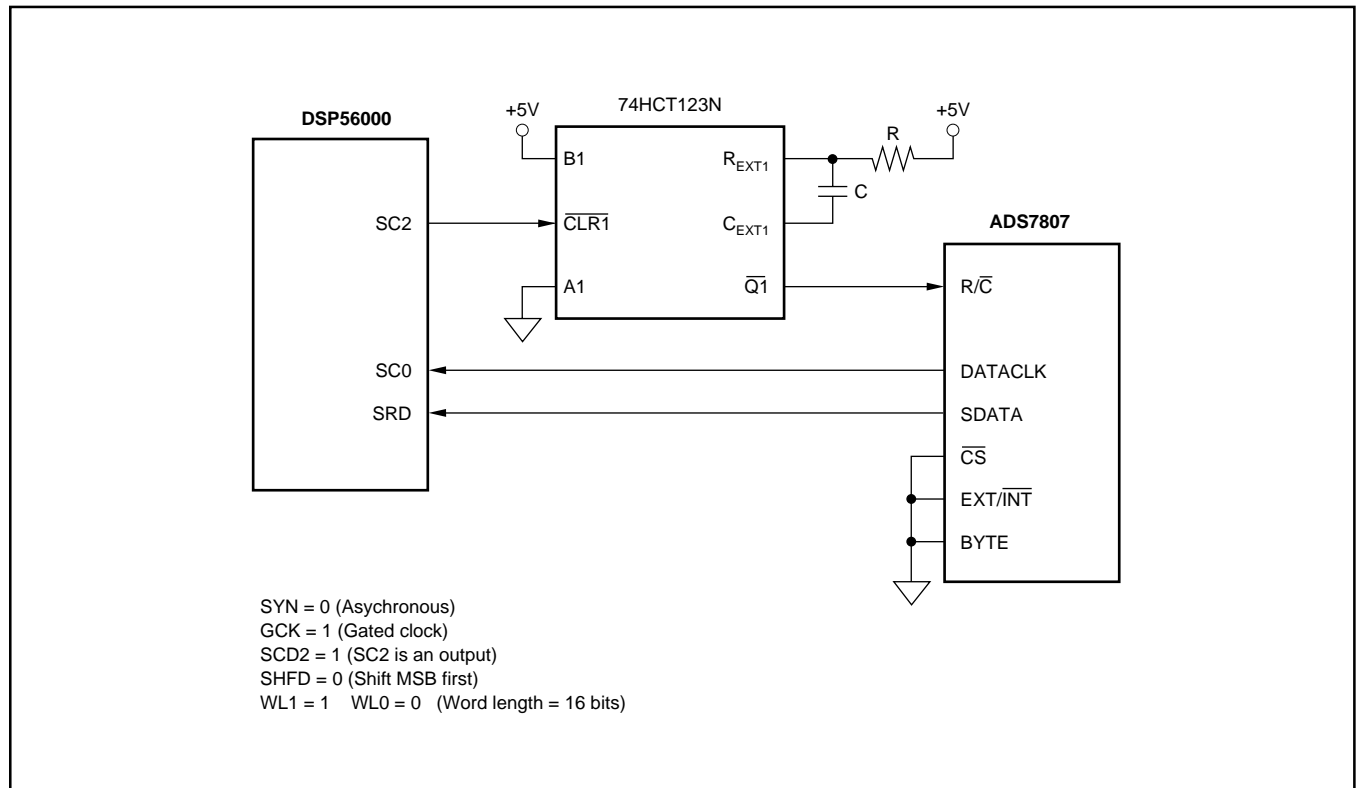


FIGURE 17. DSP56000 Interface to the ADS7807. Processor Initiates Conversions.

## Revision History

| DATE  | REVISION | PAGE | SECTION                    | DESCRIPTION  |
|-------|----------|------|----------------------------|--|
| 11/06 | D        | 2    | Electrical Characteristics | Changed Analog Input Capacitance from 35pF to 45pF.                  |
|       |          | 10   | Table V                    | Updated Table V and added PDIP package timing; page layout reflowed. |

NOTE: Page numbers for previous revisions may differ from page numbers in the current version.

## PACKAGING INFORMATION

| Orderable part number       | Status<br>(1) | Material type<br>(2) | Package   Pins | Package qty   Carrier | RoHS<br>(3) | Lead finish/<br>Ball material<br>(4) | MSL rating/<br>Peak reflow<br>(5) | Op temp (°C) | Part marking<br>(6) |
|-----------------------------|---------------|----------------------|----------------|-----------------------|-------------|--------------------------------------|-----------------------------------|--------------|---------------------|
| <a href="#">ADS7807U</a>    | Active        | Production           | SOIC (DW)   28 | 20   TUBE             | Yes         | NIPDAUAG                             | Level-3-260C-168 HR               | -40 to 85    | ADS7807U            |
| ADS7807U.A                  | Active        | Production           | SOIC (DW)   28 | 20   TUBE             | Yes         | NIPDAUAG                             | Level-3-260C-168 HR               | -40 to 85    | ADS7807U            |
| <a href="#">ADS7807U/1K</a> | Active        | Production           | SOIC (DW)   28 | 1000   LARGE T&R      | Yes         | NIPDAUAG                             | Level-3-260C-168 HR               | -40 to 85    | ADS7807U            |
| ADS7807U/1K.A               | Active        | Production           | SOIC (DW)   28 | 1000   LARGE T&R      | Yes         | NIPDAUAG                             | Level-3-260C-168 HR               | -40 to 85    | ADS7807U            |
| <a href="#">ADS7807UB</a>   | Active        | Production           | SOIC (DW)   28 | 20   TUBE             | Yes         | NIPDAUAG                             | Level-3-260C-168 HR               | -40 to 85    | ADS7807U<br>B       |
| ADS7807UB.A                 | Active        | Production           | SOIC (DW)   28 | 20   TUBE             | Yes         | NIPDAUAG                             | Level-3-260C-168 HR               | -40 to 85    | ADS7807U<br>B       |
| ADS7807UE4                  | Active        | Production           | SOIC (DW)   28 | 20   TUBE             | Yes         | NIPDAUAG                             | Level-3-260C-168 HR               | -40 to 85    | ADS7807U            |

(1) **Status:** For more details on status, see our [product life cycle](#).

(2) **Material type:** When designated, preproduction parts are prototypes/experimental devices, and are not yet approved or released for full production. Testing and final process, including without limitation quality assurance, reliability performance testing, and/or process qualification, may not yet be complete, and this item is subject to further changes or possible discontinuation. If available for ordering, purchases will be subject to an additional waiver at checkout, and are intended for early internal evaluation purposes only. These items are sold without warranties of any kind.

(3) **RoHS values:** Yes, No, RoHS Exempt. See the [TI RoHS Statement](#) for additional information and value definition.

(4) **Lead finish/Ball material:** Parts may have multiple material finish options. Finish options are separated by a vertical ruled line. Lead finish/Ball material values may wrap to two lines if the finish value exceeds the maximum column width.

(5) **MSL rating/Peak reflow:** The moisture sensitivity level ratings and peak solder (reflow) temperatures. In the event that a part has multiple moisture sensitivity ratings, only the lowest level per JEDEC standards is shown. Refer to the shipping label for the actual reflow temperature that will be used to mount the part to the printed circuit board.

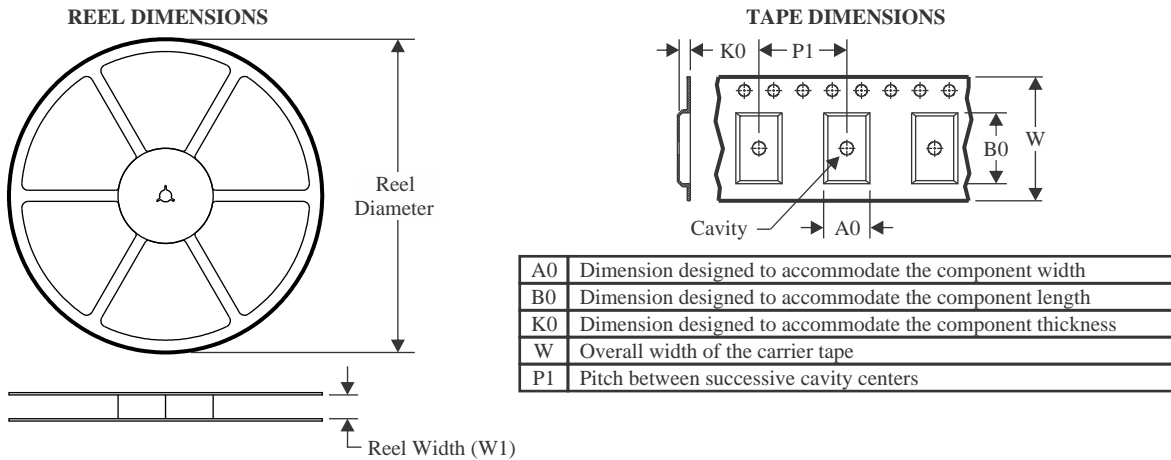
(6) **Part marking:** There may be an additional marking, which relates to the logo, the lot trace code information, or the environmental category of the part.

Multiple part markings will be inside parentheses. Only one part marking contained in parentheses and separated by a "-" will appear on a part. If a line is indented then it is a continuation of the previous line and the two combined represent the entire part marking for that device.

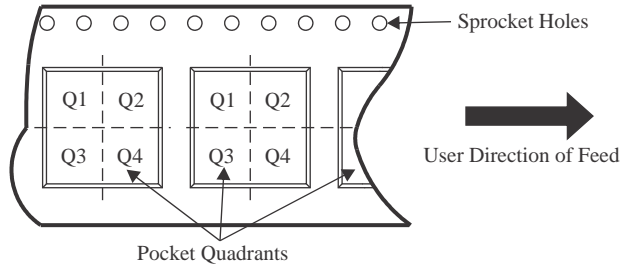
**Important Information and Disclaimer:** The information provided on this page represents TI's knowledge and belief as of the date that it is provided. TI bases its knowledge and belief on information provided by third parties, and makes no representation or warranty as to the accuracy of such information. Efforts are underway to better integrate information from third parties. TI has taken and continues to take reasonable steps to provide representative and accurate information but may not have conducted destructive testing or chemical analysis on incoming materials and chemicals. TI and TI suppliers consider certain information to be proprietary, and thus CAS numbers and other limited information may not be available for release.

In no event shall TI's liability arising out of such information exceed the total purchase price of the TI part(s) at issue in this document sold by TI to Customer on an annual basis.

## TAPE AND REEL INFORMATION



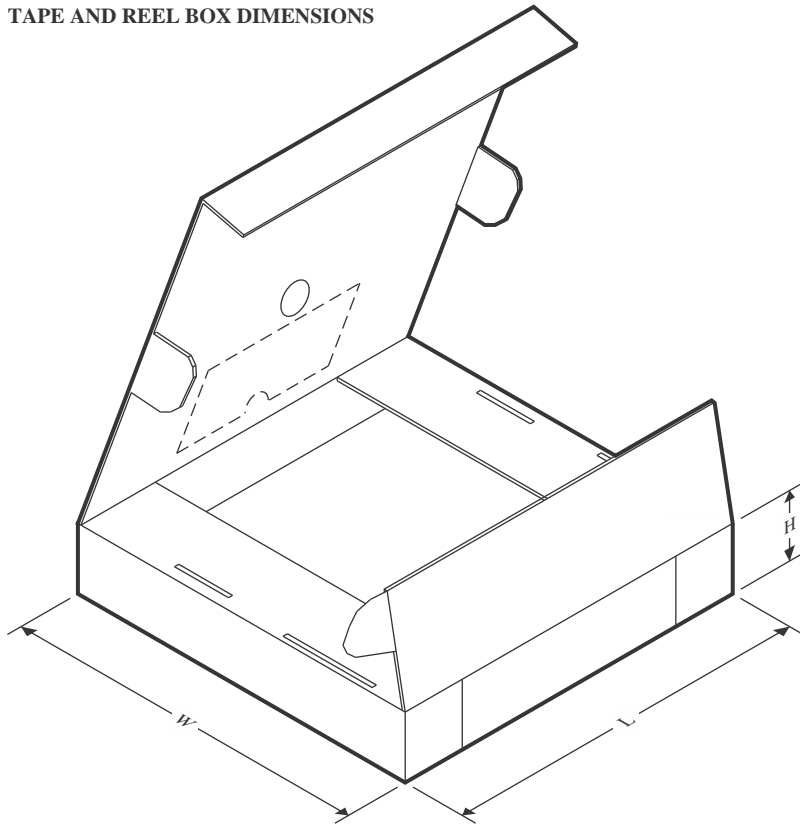
### QUADRANT ASSIGNMENTS FOR PIN 1 ORIENTATION IN TAPE



\*All dimensions are nominal

| Device      | Package Type | Package Drawing | Pins | SPQ  | Reel Diameter (mm) | Reel Width W1 (mm) | A0 (mm) | B0 (mm) | K0 (mm) | P1 (mm) | W (mm) | Pin1 Quadrant |
|-------------|--------------|-----------------|------|------|--------------------|--------------------|---------|---------|---------|---------|--------|---------------|
| ADS7807U/1K | SOIC         | DW              | 28   | 1000 | 330.0              | 32.4               | 11.35   | 18.67   | 3.1     | 16.0    | 32.0   | Q1            |

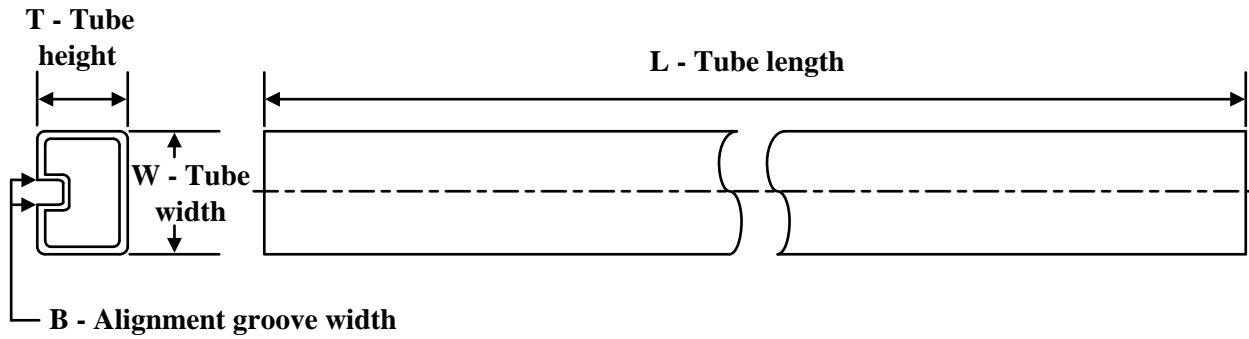
## TAPE AND REEL BOX DIMENSIONS



\*All dimensions are nominal

| Device      | Package Type | Package Drawing | Pins | SPQ  | Length (mm) | Width (mm) | Height (mm) |
|-------------|--------------|-----------------|------|------|-------------|------------|-------------|
| ADS7807U/1K | SOIC         | DW              | 28   | 1000 | 350.0       | 350.0      | 66.0        |

**TUBE**



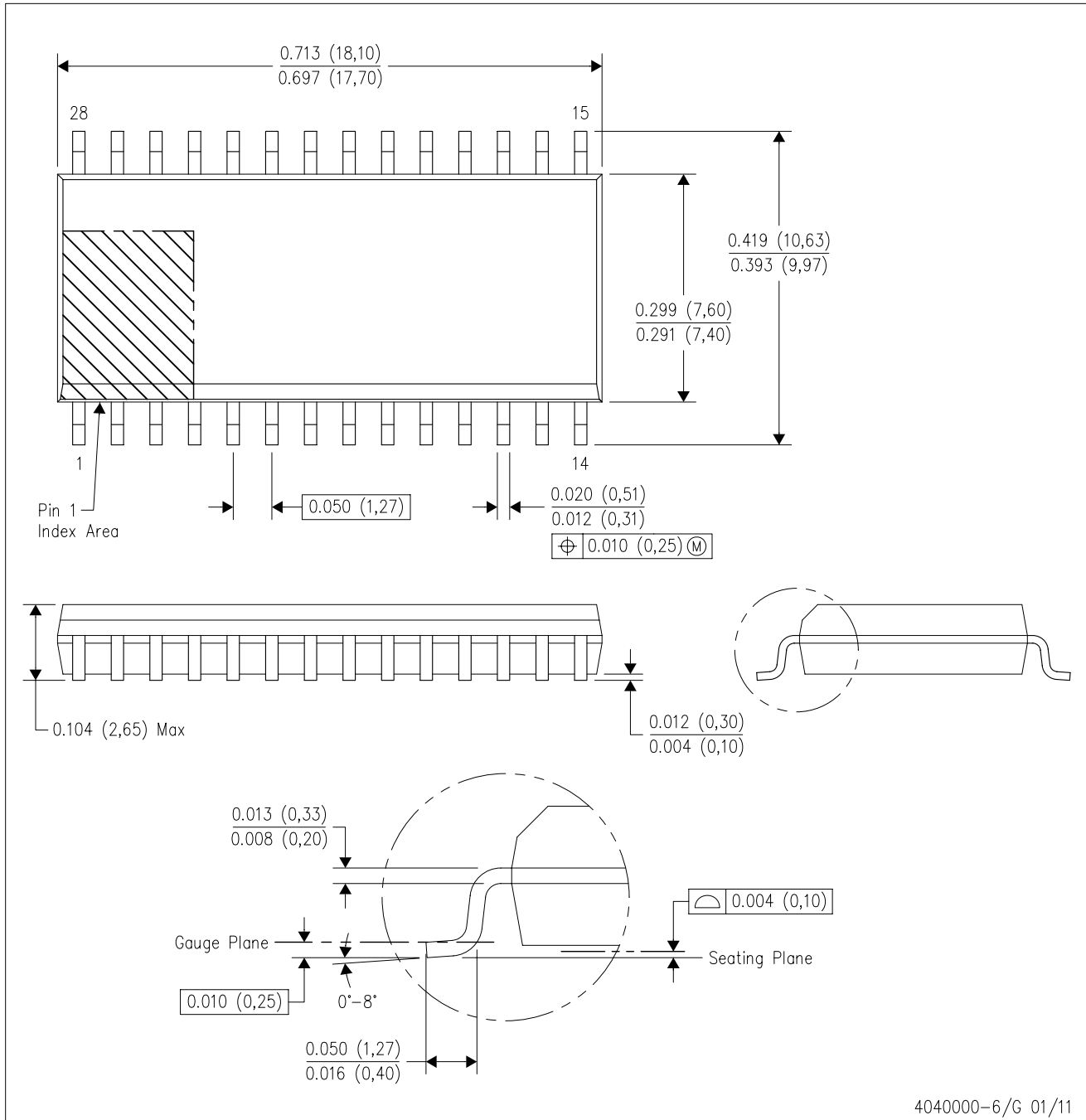
\*All dimensions are nominal

| Device      | Package Name | Package Type | Pins | SPQ | L (mm) | W (mm) | T (μm) | B (mm) |
|-------------|--------------|--------------|------|-----|--------|--------|--------|--------|
| ADS7807U    | DW           | SOIC         | 28   | 20  | 506.98 | 12.7   | 4826   | 6.6    |
| ADS7807U.A  | DW           | SOIC         | 28   | 20  | 506.98 | 12.7   | 4826   | 6.6    |
| ADS7807UB   | DW           | SOIC         | 28   | 20  | 506.98 | 12.7   | 4826   | 6.6    |
| ADS7807UB.A | DW           | SOIC         | 28   | 20  | 506.98 | 12.7   | 4826   | 6.6    |
| ADS7807UE4  | DW           | SOIC         | 28   | 20  | 506.98 | 12.7   | 4826   | 6.6    |

**MECHANICAL DATA**

DW (R-PDSO-G28)

PLASTIC SMALL OUTLINE

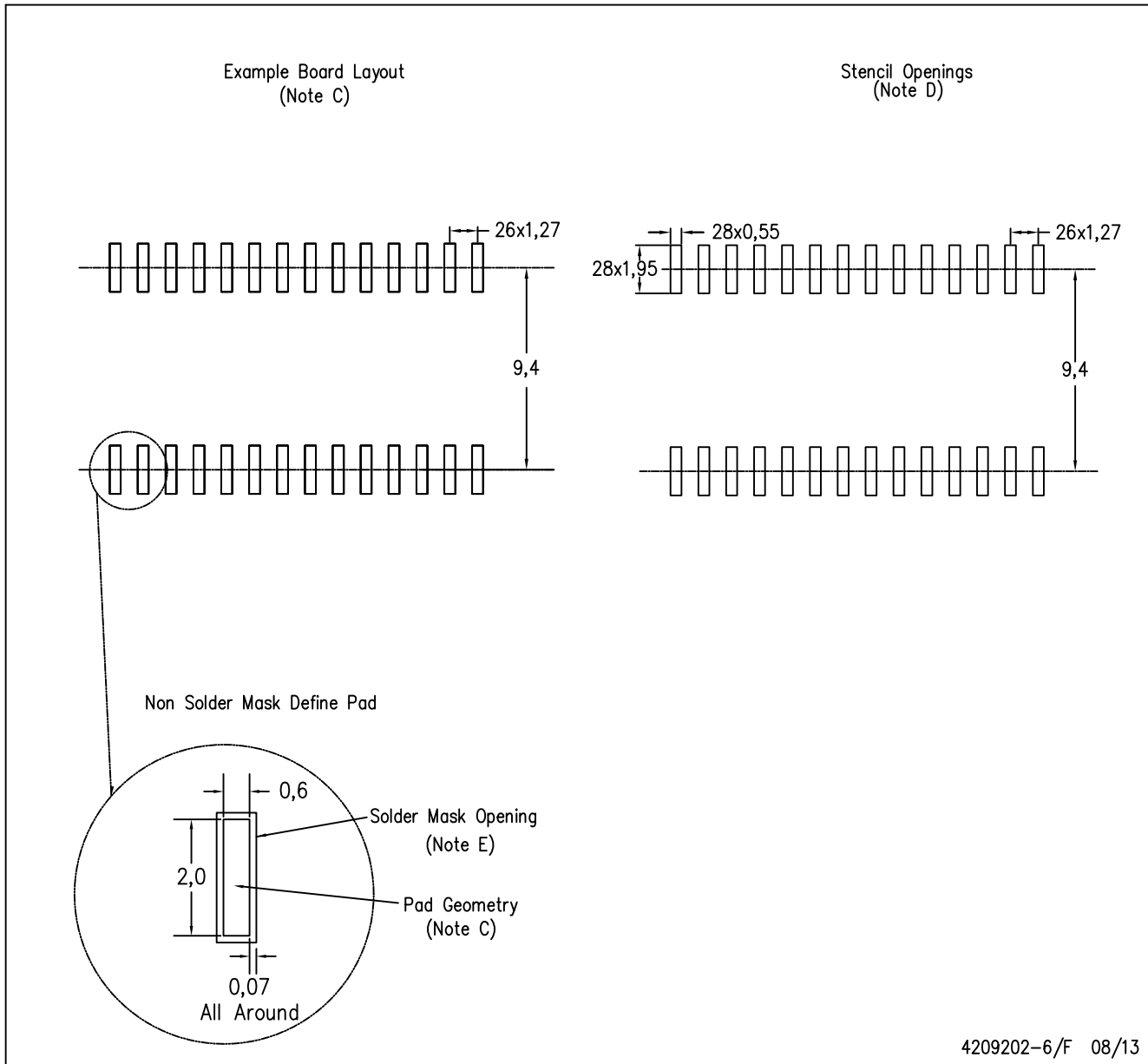


- NOTES:
- A. All linear dimensions are in inches (millimeters). Dimensioning and tolerancing per ASME Y14.5M-1994.
  - B. This drawing is subject to change without notice.
  - C. Body dimensions do not include mold flash or protrusion not to exceed 0.006 (0,15).
  - D. Falls within JEDEC MS-013 variation AE.

LAND PATTERN DATA

DW (R-PDSO-G28)

PLASTIC SMALL OUTLINE



4209202-6/F 08/13

- NOTES:
- A. All linear dimensions are in millimeters.
  - B. This drawing is subject to change without notice.
  - C. Refer to IPC7351 for alternate board design.
  - D. Laser cutting apertures with trapezoidal walls and also rounding corners will offer better paste release. Customers should contact their board assembly site for stencil design recommendations. Refer to IPC-7525
  - E. Customers should contact their board fabrication site for solder mask tolerances between and around signal pads.

## IMPORTANT NOTICE AND DISCLAIMER

TI PROVIDES TECHNICAL AND RELIABILITY DATA (INCLUDING DATASHEETS), DESIGN RESOURCES (INCLUDING REFERENCE DESIGNS), APPLICATION OR OTHER DESIGN ADVICE, WEB TOOLS, SAFETY INFORMATION, AND OTHER RESOURCES "AS IS" AND WITH ALL FAULTS, AND DISCLAIMS ALL WARRANTIES, EXPRESS AND IMPLIED, INCLUDING WITHOUT LIMITATION ANY IMPLIED WARRANTIES OF MERCHANTABILITY, FITNESS FOR A PARTICULAR PURPOSE OR NON-INFRINGEMENT OF THIRD PARTY INTELLECTUAL PROPERTY RIGHTS.

These resources are intended for skilled developers designing with TI products. You are solely responsible for (1) selecting the appropriate TI products for your application, (2) designing, validating and testing your application, and (3) ensuring your application meets applicable standards, and any other safety, security, regulatory or other requirements.

These resources are subject to change without notice. TI grants you permission to use these resources only for development of an application that uses the TI products described in the resource. Other reproduction and display of these resources is prohibited. No license is granted to any other TI intellectual property right or to any third party intellectual property right. TI disclaims responsibility for, and you fully indemnify TI and its representatives against any claims, damages, costs, losses, and liabilities arising out of your use of these resources.

TI's products are provided subject to [TI's Terms of Sale](#), [TI's General Quality Guidelines](#), or other applicable terms available either on [ti.com](http://ti.com) or provided in conjunction with such TI products. TI's provision of these resources does not expand or otherwise alter TI's applicable warranties or warranty disclaimers for TI products. Unless TI explicitly designates a product as custom or customer-specified, TI products are standard, catalog, general purpose devices.

TI objects to and rejects any additional or different terms you may propose.

Copyright © 2025, Texas Instruments Incorporated

Last updated 10/2025

## OUR CERTIFICATE

DiGi provide top-quality products and perfect service for customer worldwide through standardization, technological innovation and continuous improvement. DiGi through third-party certification, we stricly control the quality of products and services. Welcome your RFQ to

Email: [Info@DiGi-Electronics.com](mailto:Info@DiGi-Electronics.com)



Tel: +00 852-30501935

RFQ Email: [Info@DiGi-Electronics.com](mailto:Info@DiGi-Electronics.com)

DiGi is a global authorized distributor of electronic components.