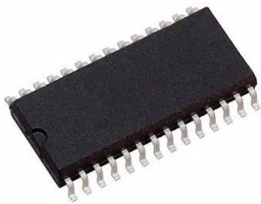


# ADS7815U/1K Datasheet

[www.digi-electronics.com](http://www.digi-electronics.com)



ADS7815U/1K

<https://www.DiGi-Electronics.com>

DiGi Electronics Part Number	ADS7815U/1K-DG
Manufacturer	<a href="#">Texas Instruments</a>
Manufacturer Product Number	ADS7815U/1K
Description	IC ADC 16BIT SAR 28SOIC
Detailed Description	16 Bit Analog to Digital Converter 1 Input 1 SAR 28-SOIC



Tel: +00 852-30501935

RFQ Email: [Info@DiGi-Electronics.com](mailto:Info@DiGi-Electronics.com)

DiGi is a global authorized distributor of electronic components.

## Purchase and inquiry

Manufacturer Product Number:

ADS7815U/1K

Series:

-

Number of Bits:

16

Number of Inputs:

1

Data Interface:

Parallel

Ratio - S/H:ADC:

1:1

Architecture:

SAR

Voltage - Supply, Analog:

±5V

Features:

-

Package / Case:

28-SOIC (0.295", 7.50mm Width)

Mounting Type:

Surface Mount

Manufacturer:

Texas Instruments

Product Status:

Last Time Buy

Sampling Rate (Per Second):

250k

Input Type:

Single Ended

Configuration:

S/H-ADC

Number of A/D Converters:

1

Reference Type:

External, Internal

Voltage - Supply, Digital:

5V

Operating Temperature:

-25°C ~ 85°C

Supplier Device Package:

28-SOIC

Base Product Number:

ADS7815

## Environmental & Export classification

RoHS Status:

ROHS3 Compliant

REACH Status:

REACH Unaffected

HTSUS:

8542.39.0001

Moisture Sensitivity Level (MSL):

3 (168 Hours)

ECCN:

EAR99

Burr-Brown Products  
from Texas Instruments

ADS7815



SBAS065B – DECEMBER 1996 – DECEMBER 2006

# 16-Bit 250kHz Sampling CMOS ANALOG-to-DIGITAL CONVERTER

## FEATURES

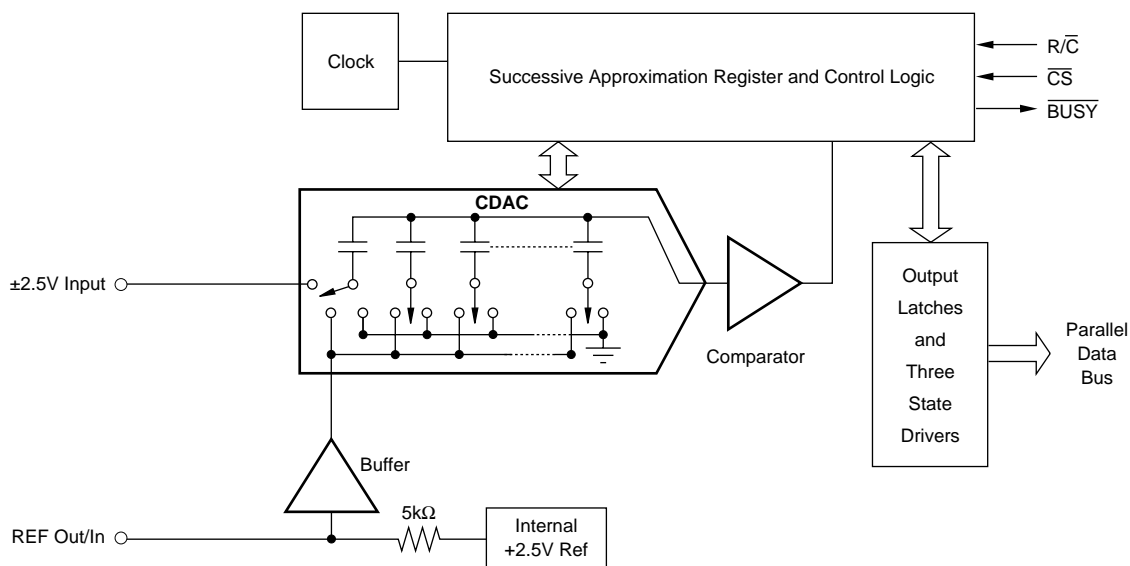
- 250kHz SAMPLING RATE
- COMPLETE WITH S/H, REF, CLOCK, ETC.
- 96dB min SFDR WITH 100kHz INPUT
- 82dB min SINAD WITH 100kHz INPUT
- $\pm 2.5V$  INPUT RANGE
- 28-LEAD SOIC

## APPLICATIONS

- WIRELESS BASE STATIONS
- SPECTRUM ANALYSIS
- IMAGING SYSTEMS
- DATA ACQUISITION

## DESCRIPTION

The ADS7815 is a complete 16-bit sampling analog-to-digital (A/D) converter featuring excellent AC performance and a 250kHz throughput rate. The design includes a 16-bit capacitor-based SAR A/D converter with an inherent sample and hold (S/H), a precision reference, and an internal clock. Spurious-free dynamic range with a 100kHz full-scale sinewave input is typically greater than 100dB. The  $\pm 2.5V$  input range allows development of precision systems using only  $\pm 5V$  supplies. The converter is available in a 28-lead SOIC package specified for operation over the industrial  $-25^{\circ}C$  to  $+85^{\circ}C$  temperature range.



Please be aware that an important notice concerning availability, standard warranty, and use in critical applications of Texas Instruments semiconductor products and disclaimers thereto appears at the end of this data sheet.

All trademarks are the property of their respective owners.

PRODUCTION DATA information is current as of publication date. Products conform to specifications per the terms of Texas Instruments standard warranty. Production processing does not necessarily include testing of all parameters.

 **TEXAS  
INSTRUMENTS**  
www.ti.com

Copyright © 1996-2006, Texas Instruments Incorporated

**ABSOLUTE MAXIMUM RATINGS**

Analog Inputs: $V_{IN}$ .....	$\pm V_S$
REF .....	GND $-0.3V$ to $+V_S +0.3V$
CAP .....	Indefinite Short to GND Momentary Short to $+V_S$
$+V_S$ .....	$7V$
$-V_S$ .....	$-7V$
Digital Inputs .....	GND $-0.3V$ to $+V_S +0.3V$
Maximum Junction Temperature .....	$+165^{\circ}C$
Internal Power Dissipation .....	$825mW$
Lead Temperature (soldering, 10s) .....	$+300^{\circ}C$



**ELECTROSTATIC DISCHARGE SENSITIVITY**

This integrated circuit can be damaged by ESD. Texas Instruments recommends that all integrated circuits be handled with appropriate precautions. Failure to observe proper handling and installation procedures can cause damage.

ESD damage can range from subtle performance degradation to complete device failure. Precision integrated circuits may be more susceptible to damage because very small parametric changes could cause the device not to meet its published specifications.

**PACKAGE/ORDERING INFORMATION<sup>(1)</sup>**

PRODUCT	PACKAGE	PACKAGE DESIGNATOR	TEMPERATURE RANGE
ADS7815U	28-Pin SOIC	DW	$-25^{\circ}C$ to $+85^{\circ}C$

NOTE: (1) For the most current package and ordering information, see the Package Option Addendum at the end of this data sheet, or see the TI website at [www.ti.com](http://www.ti.com).

# ELECTRICAL CHARACTERISTICS

At  $T_A = -25^{\circ}\text{C}$  to  $+85^{\circ}\text{C}$ ,  $f_S = 250\text{kHz}$ ,  $+V_S = +5\text{V}$ , and  $-V_S = -5\text{V}$ , using internal reference, unless otherwise specified.

PARAMETER	CONDITIONS	ADS7815U			UNITS
		MIN	TYP	MAX	
<b>RESOLUTION</b>				16	Bits
<b>ANALOG INPUT</b>					
Voltage Range			$\pm 2.5\text{V}$		V
Impedance			100		$\text{M}\Omega$
Capacitance			30		pF
<b>THROUGHPUT SPEED</b>					
Conversion Cycle	Acquire and Convert			4.0	$\mu\text{s}$
Throughput Rate		250			kHz
<b>DC ACCURACY</b>					
Integral Linearity Error			$\pm 4$		LSB <sup>(1)</sup>
No Missing Codes			15		Bits
Transition Noise <sup>(2)</sup>			0.8		LSB
Full Scale Error <sup>(3)</sup>			$\pm 0.1$		%
Full Scale Error Drift			$\pm 7$		ppm/ $^{\circ}\text{C}$
Bipolar Zero Error			$\pm 2$		mV
Bipolar Zero Error Drift			$\pm 2$		ppm/ $^{\circ}\text{C}$
Power Supply Sensitivity	$+V_S \pm 5\%$ , $-V_S \pm 5\%$		$\pm 6$		LSB
<b>AC ACCURACY</b>					
Spurious-Free Dynamic Range	$f_{IN} = 100\text{kHz}$	96	100		dB <sup>(4)</sup>
Total Harmonic Distortion	$f_{IN} = 100\text{kHz}$		-98	-94	dB
Signal-to-(Noise+Distortion)	$f_{IN} = 100\text{kHz}$	82			dB
	-60dB Input		28		dB
Signal-to-Noise	$f_{IN} = 100\text{kHz}$	82			dB
Usable Bandwidth <sup>(5)</sup>			1		MHz
Aperture Delay			40		ns
<b>REFERENCE</b>					
Internal Reference Voltage		2.45	2.5	2.55	V
Internal Reference Source Current			1		$\mu\text{A}$
External Reference Voltage Range		2.3	2.5	2.7	V
External Reference Current Drain	$V_{REF} = +2.5\text{V}$			100	$\mu\text{A}$
<b>DIGITAL INPUTS</b>					
Logic Levels					
$V_{IL}$		-0.3		+0.8	V
$V_{IH}$		+2.8		$+V_S + 0.3\text{V}$	V
$I_{IL}$				$\pm 10$	$\mu\text{A}$
$I_{IH}$				$\pm 10$	$\mu\text{A}$
<b>DIGITAL OUTPUTS</b>					
Data Format			Parallel 16 bits		
Data Coding			Binary Two's Complement		
$V_{OL}$	$I_{SINK} = 1.6\text{mA}$			+0.4	V
$V_{OH}$	$I_{SOURCE} = 200\mu\text{A}$	+4		$\pm 5$	V
Leakage Current	High-Z State, $V_{OUT} = 0\text{V}$ to $V_{DIG}$ High-Z State			$\pm 5$	$\mu\text{A}$
Output Capacitance				15	pF
<b>DIGITAL TIMING</b>					
Bus Access Time				83	ns
Bus Relinquish Time				83	ns
<b>POWER SUPPLIES</b>					
$+V_S$		+4.75	+5	+5.25	V
$-V_S$		-5.25	-5	-4.75	V
$+I_S$			+30		mA
$-I_S$			-10		mA
Power Dissipation			200	250	mW
<b>TEMPERATURE RANGE</b>					
Specified Performance		-25		+85	$^{\circ}\text{C}$
Storage		-55		+125	$^{\circ}\text{C}$

NOTES: (1) LSB means Least Significant Bit. For the 16-bit,  $\pm 2.5\text{V}$  input ADS7815, one LSB is  $76\mu\text{V}$ .

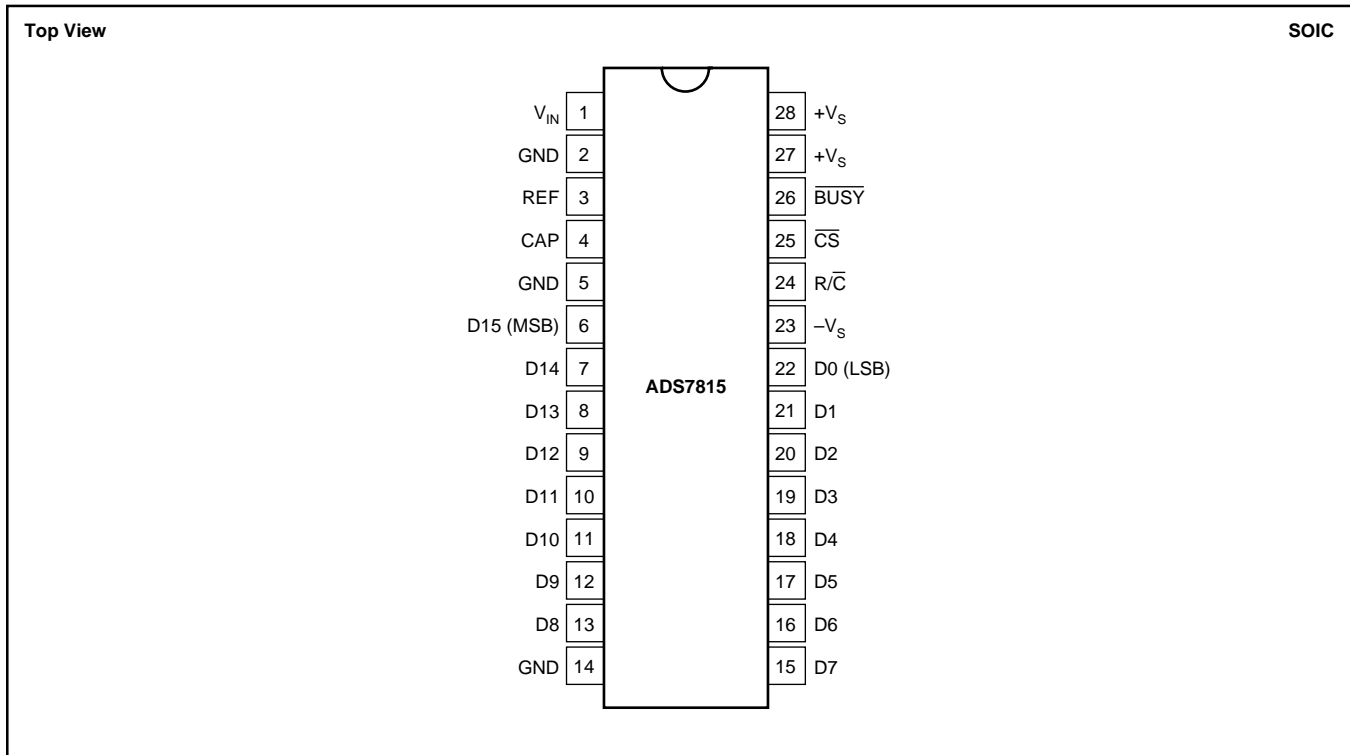
(2) Typical rms noise at worst case transitions and temperatures.

(3) Full scale error is the worst case of -Full Scale or +Full Scale untrimmed deviation from ideal first and last code transitions, divided by the transition voltage (not divided by the full-scale range) and includes the effect of offset error.

(4) All specifications in dB are referred to a full-scale  $\pm 2.5\text{V}$  input.

(5) Full-Power Bandwidth defined as Full-Scale input frequency at which Signal-to-(Noise+Distortion) degrades to 60dB, or 10 bits of accuracy.

**PIN CONFIGURATION**



PIN #	NAME	DESCRIPTION
1	V <sub>IN</sub>	Analog Input. Full-scale input range is ±2.5V.
2	GND	Ground.
3	REF	Reference Input/Output. Outputs internal reference of +2.5V nominal. Can also be driven by external system reference. In both cases, connect to ground with a 0.1µF ceramic capacitor in parallel with 2.2µF tantalum capacitor.
4	CAP	Reference compensation capacitor. Use a parallel combination of a 0.1µF ceramic capacitor and a 2.2µF tantalum capacitor.
5	GND	Ground.
6	D15 (MSB)	Data Bit 15. Most Significant Bit (MSB) of conversion results. Hi-Z state when $\overline{CS}$ is HIGH, when $R/\overline{C}$ is LOW or when a conversion is in progress.
7	D14	Data Bit 14. Hi-Z state when $\overline{CS}$ is HIGH, when $R/\overline{C}$ is LOW or when a conversion is in progress.
8	D13	Data Bit 13. Hi-Z state when $\overline{CS}$ is HIGH, when $R/\overline{C}$ is LOW or when a conversion is in progress.
9	D12	Data Bit 12. Hi-Z state when $\overline{CS}$ is HIGH, when $R/\overline{C}$ is LOW or when a conversion is in progress.
10	D11	Data Bit 11. Hi-Z state when $\overline{CS}$ is HIGH, when $R/\overline{C}$ is LOW or when a conversion is in progress.
11	D10	Data Bit 10. Hi-Z state when $\overline{CS}$ is HIGH, when $R/\overline{C}$ is LOW or when a conversion is in progress.
12	D9	Data Bit 9. Hi-Z state when $\overline{CS}$ is HIGH, when $R/\overline{C}$ is LOW or when a conversion is in progress.
13	D8	Data Bit 8. Hi-Z state when $\overline{CS}$ is HIGH, when $R/\overline{C}$ is LOW or when a conversion is in progress.
14	GND	Ground.
15	D7	Data Bit 7. Hi-Z state when $\overline{CS}$ is HIGH, when $R/\overline{C}$ is LOW or when a conversion is in progress.
16	D6	Data Bit 6. Hi-Z state when $\overline{CS}$ is HIGH, when $R/\overline{C}$ is LOW or when a conversion is in progress.
17	D5	Data Bit 5. Hi-Z state when $\overline{CS}$ is HIGH, when $R/\overline{C}$ is LOW or when a conversion is in progress.
18	D4	Data Bit 4. Hi-Z state when $\overline{CS}$ is HIGH, when $R/\overline{C}$ is LOW or when a conversion is in progress.
19	D3	Data Bit 3. Hi-Z state when $\overline{CS}$ is HIGH, when $R/\overline{C}$ is LOW or when a conversion is in progress.
20	D2	Data Bit 2. Hi-Z state when $\overline{CS}$ is HIGH, when $R/\overline{C}$ is LOW or when a conversion is in progress.
21	D1	Data Bit 1. Hi-Z state when $\overline{CS}$ is HIGH, when $R/\overline{C}$ is LOW or when a conversion is in progress.
22	D0 (LSB)	Data Bit 0. Least Significant Bit (LSB) of conversion results. Hi-Z state when $\overline{CS}$ is HIGH, when $R/\overline{C}$ is LOW or when a conversion is in progress.
23	-V <sub>S</sub>	Negative supply input. Nominally -5V. Decouple to analog ground with 0.1µF ceramic and 10µF tantalum capacitors.
24	R/ $\overline{C}$	Read/convert input. With $R/\overline{C}$ HIGH, $\overline{CS}$ going LOW will enable the output data bits if a conversion is not in progress. With $R/\overline{C}$ LOW, $\overline{CS}$ going LOW will start a conversion if one is not already in progress.
25	$\overline{CS}$	Chip select. With $R/\overline{C}$ LOW, $\overline{CS}$ going LOW will initiate a conversion if one is not already in progress. With $R/\overline{C}$ HIGH, $\overline{CS}$ going LOW will enable the output data bits if a conversion is not in progress.
26	$\overline{BUSY}$	Busy output. Falls when a conversion is started, and remains LOW until the conversion is completed. With $\overline{CS}$ LOW and $R/\overline{C}$ HIGH, output data will be valid when $\overline{BUSY}$ rises, so that the rising edge can be used to latch the data. $\overline{CS}$ or $R/\overline{C}$ must be HIGH within 250ns after $\overline{BUSY}$ rises or another conversion will start without time for signal acquisition.
27	+V <sub>S</sub>	Positive supply input. Nominally +5V. Connect directly to pin 28.
28	+V <sub>S</sub>	Positive supply input. Nominally +5V. Connect directly to pin 27. Decouple to ground with 0.1µF ceramic and 10µF tantalum capacitors.

TABLE I. Pin Assignments.

# BASIC OPERATION

Figure 1 shows the recommended circuit for operation of the ADS7815. A falling edge on the convert pulse signal places the sample and hold into the hold mode and initiates a conversion. When the conversion is complete, the pins D15 through D0 become active and the result of the conversion

is placed on these outputs. In the circuit shown in Figure 1, the rising edge of  $\overline{\text{BUSY}}$  latches the result into the 74HC574s.

After the conversion is complete, the ADS7815 sample and hold returns to the sample mode and begins acquiring the input signal for the next conversion. Allowing  $4\mu\text{s}$  between falling edges of the convert pulse signal assures accurate acquisition of the analog input.

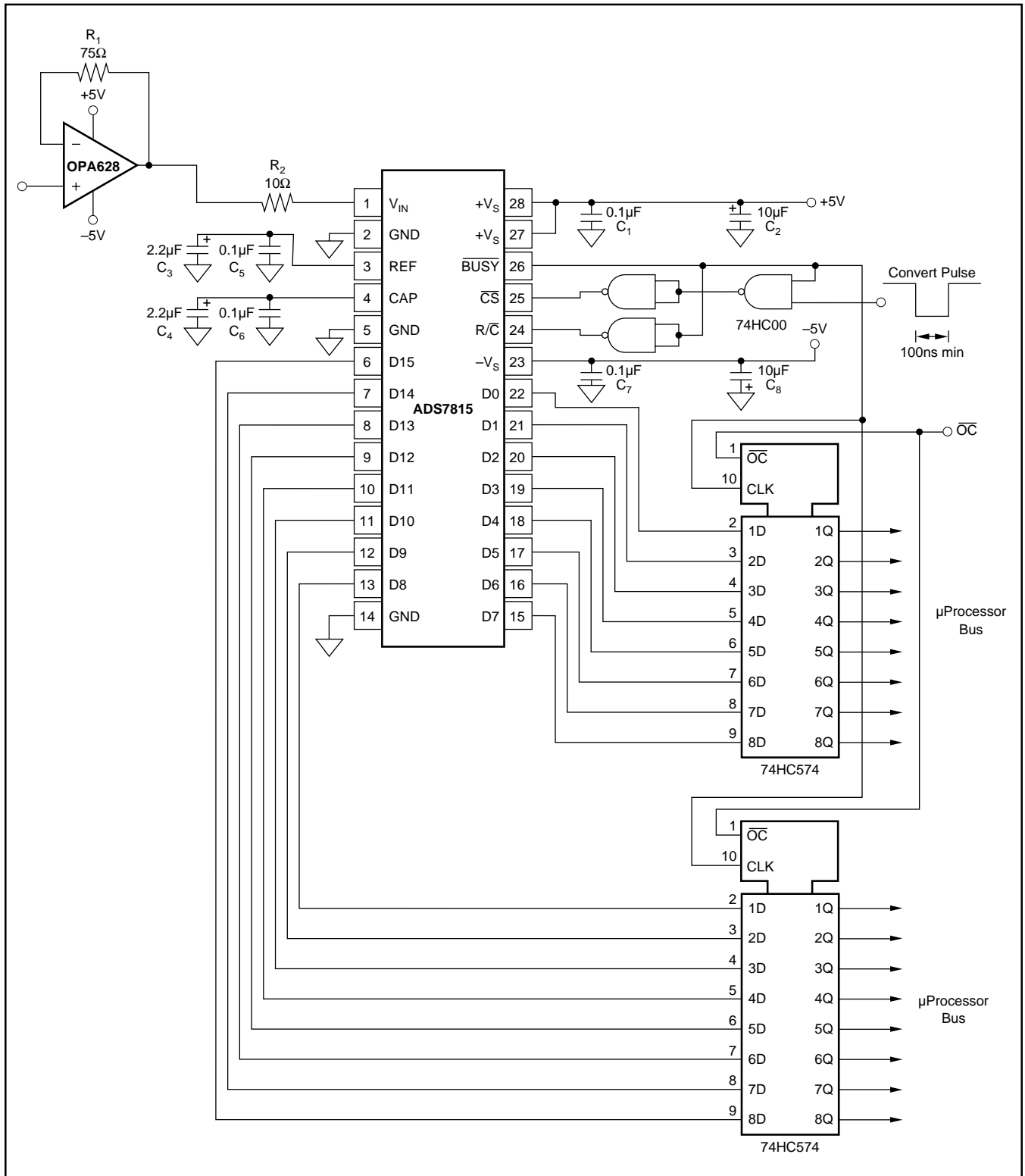


FIGURE 1. Basic Operation.

# TIMING

The timing shown in Figure 2 and Table II is the recommended method of operating the ADS7815. The falling edge of  $\overline{CS}$  initiates the conversion. During the conversion, the digital outputs are tri-stated and  $\overline{BUSY}$  is LOW. Near the end of the conversion, the digital outputs become active with the most recent conversion result. After a brief delay (see time  $t_{11}$  in Figure 2 and Table II),  $\overline{BUSY}$  rises. The rising edge of  $\overline{BUSY}$  is used to latch the digital result in Figure 1.

## R/C AND CS

The  $R/\overline{C}$  (read/convert) and  $\overline{CS}$  signals control the start of conversion and, when a conversion is not in progress, the status of the digital outputs D15 through D0. It is possible to start a conversion by taking  $\overline{CS}$  LOW and then taking  $R/\overline{C}$  LOW. However, this is not recommended and will result in a significant decrease in signal-to-noise ratio. This is due to

the digital outputs tri-stating while the sample and hold transitions to the hold mode. The change in digital outputs results in noise being coupled onto the hold capacitor.

If a conversion is not in progress or is just about to finish, the digital outputs will be active when  $R/\overline{C}$  is HIGH and  $\overline{CS}$  is LOW. This is shown in Figure 2 and Figure 3. It is possible to return  $\overline{CS}$  HIGH during the initial part of the conversion (as is done with  $R/\overline{C}$ ) and prevent the digital outputs from becoming active. At a later time, the digital results could be read by taking  $\overline{CS}$  LOW. It is also possible to leave  $R/\overline{C}$  LOW, take  $\overline{CS}$  HIGH during the conversion, and read the results at a later time by taking  $R/\overline{C}$  HIGH and  $\overline{CS}$  LOW.

Following a conversion, if  $R/\overline{C}$  and  $\overline{CS}$  are both LOW 250ns after  $\overline{BUSY}$  rises, then a new conversion will be initiated without allowing the proper acquisition period for the sample and hold.  $R/\overline{C}$  must remain HIGH or  $\overline{CS}$  must be taken HIGH within 250ns of  $\overline{BUSY}$  rising.

SYMBOL	DESCRIPTION	MIN	TYP	MAX	UNITS
$t_1$	$\overline{CS}$ to $R/\overline{C}$ Delay			200	ns
$t_2$	$\overline{CS}$ to $\overline{BUSY}$ Delay		40		ns
$t_3$	Aperture Delay		40		ns
$t_4$	$\overline{BUSY}$ LOW		3.3		$\mu$ s
$t_5$	$R/\overline{C}$ LOW to $\overline{CS}$ LOW	100			ns
$t_6$	$\overline{BUSY}$ HIGH to $\overline{CS}$ HIGH			250	ns
$t_7$	Bus Access Time		10	83	ns
$t_8$	Bus Relinquish Time			83	ns
$t_9$	Throughput Time			4	$\mu$ s
$t_{10}$	Conversion Time		3.3		$\mu$ s
$t_{11}$	Data Valid to $\overline{BUSY}$ HIGH	25	35		ns
$t_{12}$	$\overline{CS}$ to $R/\overline{C}$ Setup Time	40			ns

TABLE II. Conversion Timing.

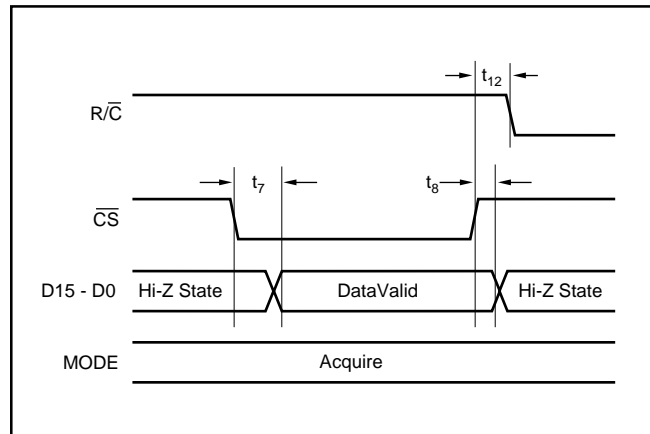


FIGURE 3. Bus Timing.

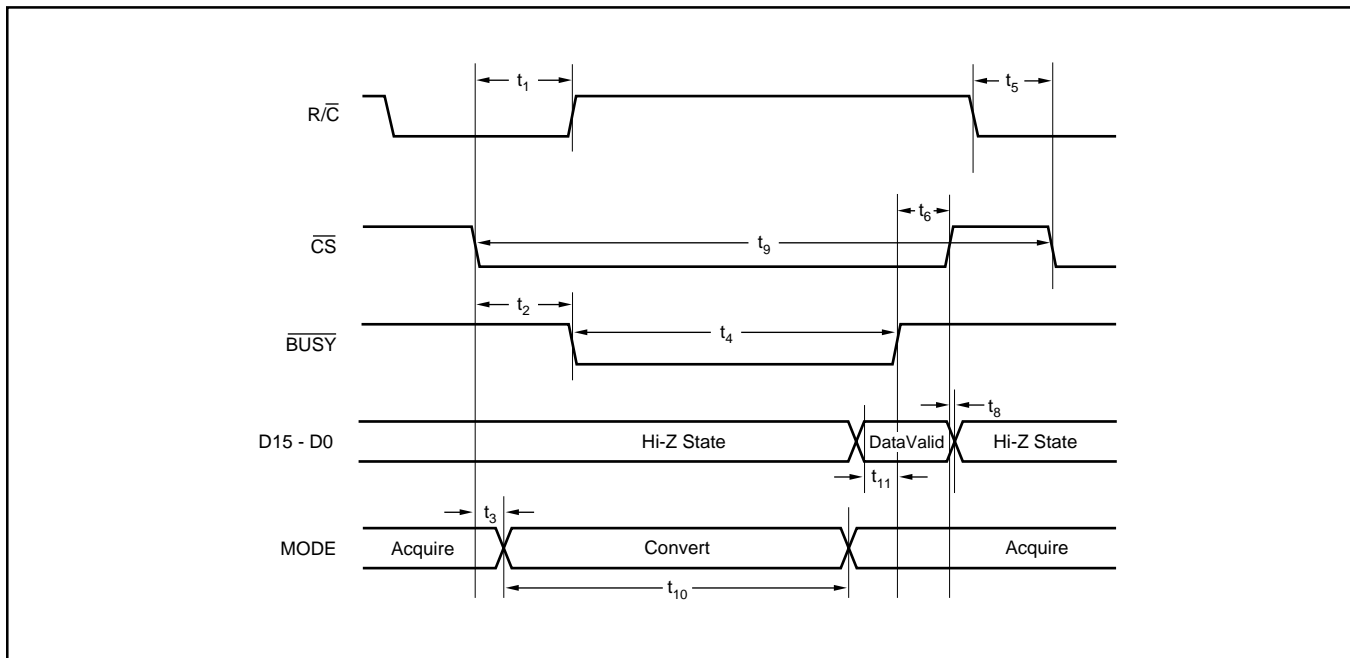


FIGURE 2. ADS7815 Timing.

$\overline{R/C}$  and  $\overline{CS}$  should remain static prior to that start of conversion and during the later part of a conversion. To start a conversion,  $\overline{R/C}$  should be taken LOW at least 100ns before  $\overline{CS}$  is taken LOW.  $\overline{R/C}$  and/or  $\overline{CS}$  should be taken HIGH during the early part of the conversion, preferably within 200ns of the start of the conversion. If these times are not observed, then there is risk that the transition of these digital signals may affect the conversion result.

The three NAND gates shown in Figure 1 can be used to generate  $\overline{R/C}$  and  $\overline{CS}$  signals from a single negative going pulse.

## BUSY

$\overline{BUSY}$  goes LOW when a conversion is started and remains LOW throughout the conversion. Just prior to  $\overline{BUSY}$  going HIGH, the digital outputs become active with the conversion result. Time  $t_{11}$ , shown in Figure 2, should provide adequate time for the ADS7815 to drive the digital outputs to a valid logic state before  $\overline{BUSY}$  rises. As shown in Figure 1 and 2, the rising edge of  $\overline{BUSY}$  can be used to latch the digital result into an external component.

## DIGITAL OUTPUT

The ADS7815's digital output is in Binary Two's Complement (BTC) format. Table III shows the relationship between the digital output word and analog input voltage under ideal conditions.

DESCRIPTION	ANALOG INPUT	DIGITAL OUTPUT	
		BINARY TWO'S COMPLEMENT	
		BINARY CODE	HEX CODE
Full Scale Range	$\pm 2.5V$		
Least Significant Bit (LSB)	$76\mu V$		
+Full Scale (2.5V – 1LSB)	2.499924V	0111 1111 1111 1111	7FFF
Midscale	0V	0000 0000 0000 0000	0000
One LSB below Midscale	$-76\mu V$	1111 1111 1111 1111	FFFF
–Full Scale	$-2.5V$	1000 0000 0000 0000	8000

Table III. Ideal Input Voltages and Output Codes.

## REFERENCE

The ADS7815 can be operated with the internal 2.5V reference or an external reference. By applying an external reference to the REF pin, the internal reference is bypassed. The reference voltage at REF is buffered internally.

The voltage at the reference input sets the full-scale range of the converter. With the internal 2.5V reference, the input range is  $\pm 2.5V$ . Thus, the input range of the converter's analog input is simply  $\pm V_{REF}$ , where  $V_{REF}$  is the voltage at the reference input. Because of internal gain and offset error, the input range will not be exactly  $\pm V_{REF}$ . The full-scale error of the converter with an external reference will typically be 0.25% or less. The bipolar zero error will be similar to that listed in the Electrical Characteristics table. The range for the external reference is 2.3V to 2.7V.

## REF PIN

The REF pin itself should be bypassed with a  $0.1\mu F$  ceramic capacitor in parallel with a  $2.2\mu F$  tantalum capacitor. While both capacitors should be physically close to the ADS7815, it is very important that the ceramic capacitor be placed as close as possible.

The REF voltage should not be used to drive a large load or any load which is dynamic. A large load will reduce the reference voltage and the corresponding input range of the converter. A dynamic load will modulate the reference voltage and this modulation will be present in the converter's output data.

## CAP PIN

The voltage on the CAP pin is the output of the reference buffer. This pin should be bypassed with a  $0.1\mu F$  ceramic capacitor in parallel with a  $2.2\mu F$  tantalum capacitor. While both capacitors should be physically close to the ADS7815, it is very important that the ceramic capacitor be placed as close as possible.

The CAP pin connects to the internal reference buffer and directly to the binary weighted capacitor array of the converter. Thus, the signal at the CAP pin has high-frequency glitches which occur at each bit decision. For this reason, the CAP voltage should not be used to provide a reference voltage for external circuitry.

## LAYOUT

The layout of the ADS7815 and accompanying components will be critical for optimum performance. Use of an analog ground plane is essential. Use of +5V and -5V power planes is not critical as long as the supplies are well bypassed, and the traces connecting +5V and -5V to the power connector are not too long or too thin.

The two +V<sub>S</sub> power pins of the ADS7815 must be tied together. The voltage source for these pins should also power the input buffer and the 74HC00 shown in Figure 1. This supply should separate from the positive +5V supply for the system's digital logic

Three ground pins are present on the ADS7815: pin 2, pin 5, and pin 14. These should all be tied to the analog ground plane. The analog ground plane should extend underneath all analog signal conditioning components and up to the 74HC574s (or equivalent components) shown in Figure 1. The 74HC574s should not be located more than several inches from the ADS7815.

The ground for the 74HC574s should be connected to the digital ground. The analog ground plane should extend up to the 74HC574s but should be kept at least 1/4" (6mm) distant from the digital ground plane (if present). The analog and digital grounds planes should not overlap at any point.

### INTERMEDIATE LATCHES

The 74HC574s shown in Figure 1 isolate the ADS7815 from digital signals on a microprocessor, digital signal processor (DSP), or microcontroller bus. This is necessary because of the precision needed within the ADS7815. The weight of a

single LSB in the ADS7815 is 76 $\mu$ V, and the comparator must be able to resolve differences in voltage to this level. External digital signals which transition during the conversion can easily couple onto the substrate and produce voltages larger than this.

In place of the 74HC574s, it might be possible to use a FIFO or similar type of memory device. For the majority of systems, it will be difficult to go directly from the ADS7815 into a microcontroller or DSP even if the ADS7815 is not connected to shared bus. The reason for this is that during a conversion, the ADS7815 outputs are tri-stated. The only chance to read the outputs are during the acquisition period. And, this is not recommended if the data will be read just prior to the converter going into the hold mode.

### SIGNAL CONDITIONING

The ADS7815 input essentially consists of a switch and a capacitor. In the acquisition or sample mode, the switch is closed and the input signal drives the capacitor directly. When a conversion is started, the switch is opened capturing the input signal at that moment. This voltage is held on the capacitor for the remainder of the conversion.

While this provides for a wide bandwidth sample and hold function and results in excellent AC performance, this architecture requires a high bandwidth, precision op amp to drive the analog input. The op amp and configuration shown in Figure 1 is highly recommended. The amplifier should be placed within 1 to 2 inches (25 to 50mm) of the ADS7815, and the layout guidelines in the OPA628 data sheet should be strictly followed.

## Revision History

DATE	REVISION	PAGE	SECTION	DESCRIPTION
12/06	B	1	Features	Changed from "84dB min SINAD" to "82dB min SINAD WITH 100kHz INPUT"
11/06	A	—	Entire Document	Updated document format to current standard; some page layout changed.
		3	Electrical Characteristics	Changed Total Harmonic Distortion max value from -96 to -94.
				Changed Signal-to-(Noise+Distortion) min value from 84 to 82.
				Changed Signal-to-Noise min value from 84 to 82.

NOTE: Page numbers for previous revisions may differ from page numbers in the current version.

**PACKAGING INFORMATION**

Orderable part number	Status (1)	Material type (2)	Package   Pins	Package qty   Carrier	RoHS (3)	Lead finish/ Ball material (4)	MSL rating/ Peak reflow (5)	Op temp (°C)	Part marking (6)
<a href="#">ADS7815U</a>	Active	Production	SOIC (DW)   28	20   TUBE	Yes	Call TI	Level-3-260C-168 HR	-25 to 85	ADS7815U
ADS7815U.A	Active	Production	SOIC (DW)   28	20   TUBE	Yes	Call TI	Level-3-260C-168 HR	-25 to 85	ADS7815U
<a href="#">ADS7815U/1K</a>	Active	Production	SOIC (DW)   28	1000   LARGE T&R	Yes	Call TI	Level-3-260C-168 HR	-25 to 85	ADS7815U
ADS7815U/1K.A	Active	Production	SOIC (DW)   28	1000   LARGE T&R	Yes	Call TI	Level-3-260C-168 HR	-25 to 85	ADS7815U
ADS7815UG4	Active	Production	SOIC (DW)   28	20   TUBE	Yes	Call TI	Level-3-260C-168 HR	-25 to 85	ADS7815U

(1) **Status:** For more details on status, see our [product life cycle](#).

(2) **Material type:** When designated, preproduction parts are prototypes/experimental devices, and are not yet approved or released for full production. Testing and final process, including without limitation quality assurance, reliability performance testing, and/or process qualification, may not yet be complete, and this item is subject to further changes or possible discontinuation. If available for ordering, purchases will be subject to an additional waiver at checkout, and are intended for early internal evaluation purposes only. These items are sold without warranties of any kind.

(3) **RoHS values:** Yes, No, RoHS Exempt. See the [TI RoHS Statement](#) for additional information and value definition.

(4) **Lead finish/Ball material:** Parts may have multiple material finish options. Finish options are separated by a vertical ruled line. Lead finish/Ball material values may wrap to two lines if the finish value exceeds the maximum column width.

(5) **MSL rating/Peak reflow:** The moisture sensitivity level ratings and peak solder (reflow) temperatures. In the event that a part has multiple moisture sensitivity ratings, only the lowest level per JEDEC standards is shown. Refer to the shipping label for the actual reflow temperature that will be used to mount the part to the printed circuit board.

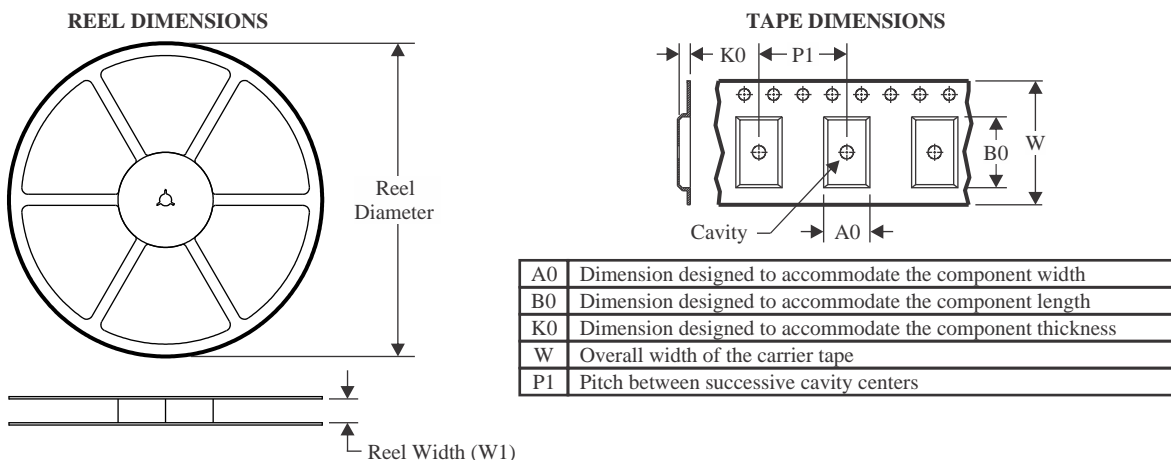
(6) **Part marking:** There may be an additional marking, which relates to the logo, the lot trace code information, or the environmental category of the part.

Multiple part markings will be inside parentheses. Only one part marking contained in parentheses and separated by a "-" will appear on a part. If a line is indented then it is a continuation of the previous line and the two combined represent the entire part marking for that device.

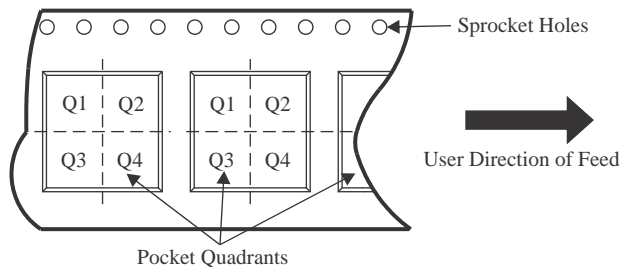
**Important Information and Disclaimer:**The information provided on this page represents TI's knowledge and belief as of the date that it is provided. TI bases its knowledge and belief on information provided by third parties, and makes no representation or warranty as to the accuracy of such information. Efforts are underway to better integrate information from third parties. TI has taken and continues to take reasonable steps to provide representative and accurate information but may not have conducted destructive testing or chemical analysis on incoming materials and chemicals. TI and TI suppliers consider certain information to be proprietary, and thus CAS numbers and other limited information may not be available for release.

In no event shall TI's liability arising out of such information exceed the total purchase price of the TI part(s) at issue in this document sold by TI to Customer on an annual basis.

## TAPE AND REEL INFORMATION



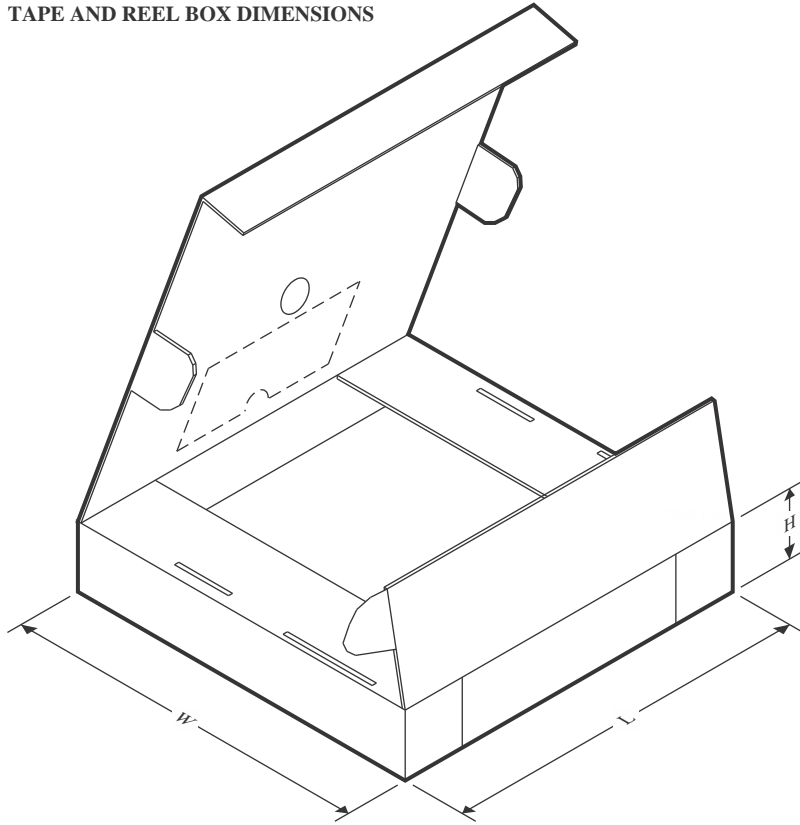
### QUADRANT ASSIGNMENTS FOR PIN 1 ORIENTATION IN TAPE



\*All dimensions are nominal

Device	Package Type	Package Drawing	Pins	SPQ	Reel Diameter (mm)	Reel Width W1 (mm)	A0 (mm)	B0 (mm)	K0 (mm)	P1 (mm)	W (mm)	Pin1 Quadrant
ADS7815U/1K	SOIC	DW	28	1000	330.0	32.4	11.35	18.67	3.1	16.0	32.0	Q1

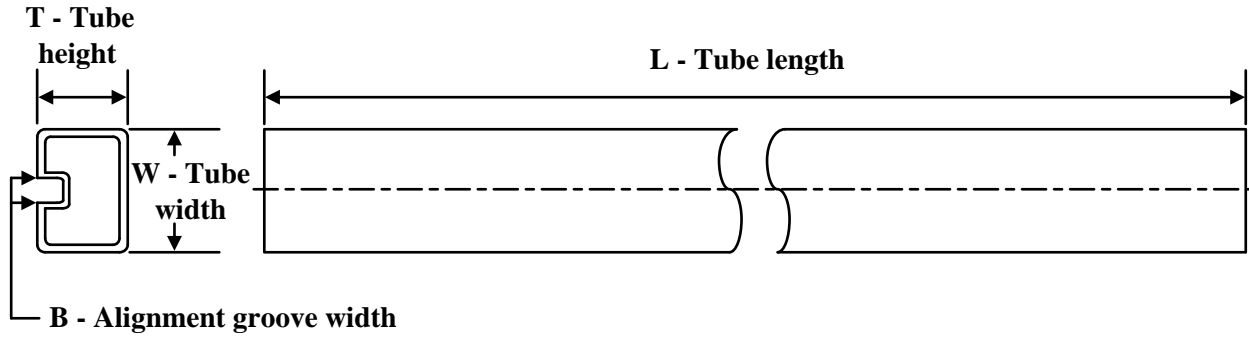
## TAPE AND REEL BOX DIMENSIONS



\*All dimensions are nominal

Device	Package Type	Package Drawing	Pins	SPQ	Length (mm)	Width (mm)	Height (mm)
ADS7815U/1K	SOIC	DW	28	1000	356.0	356.0	53.0

**TUBE**



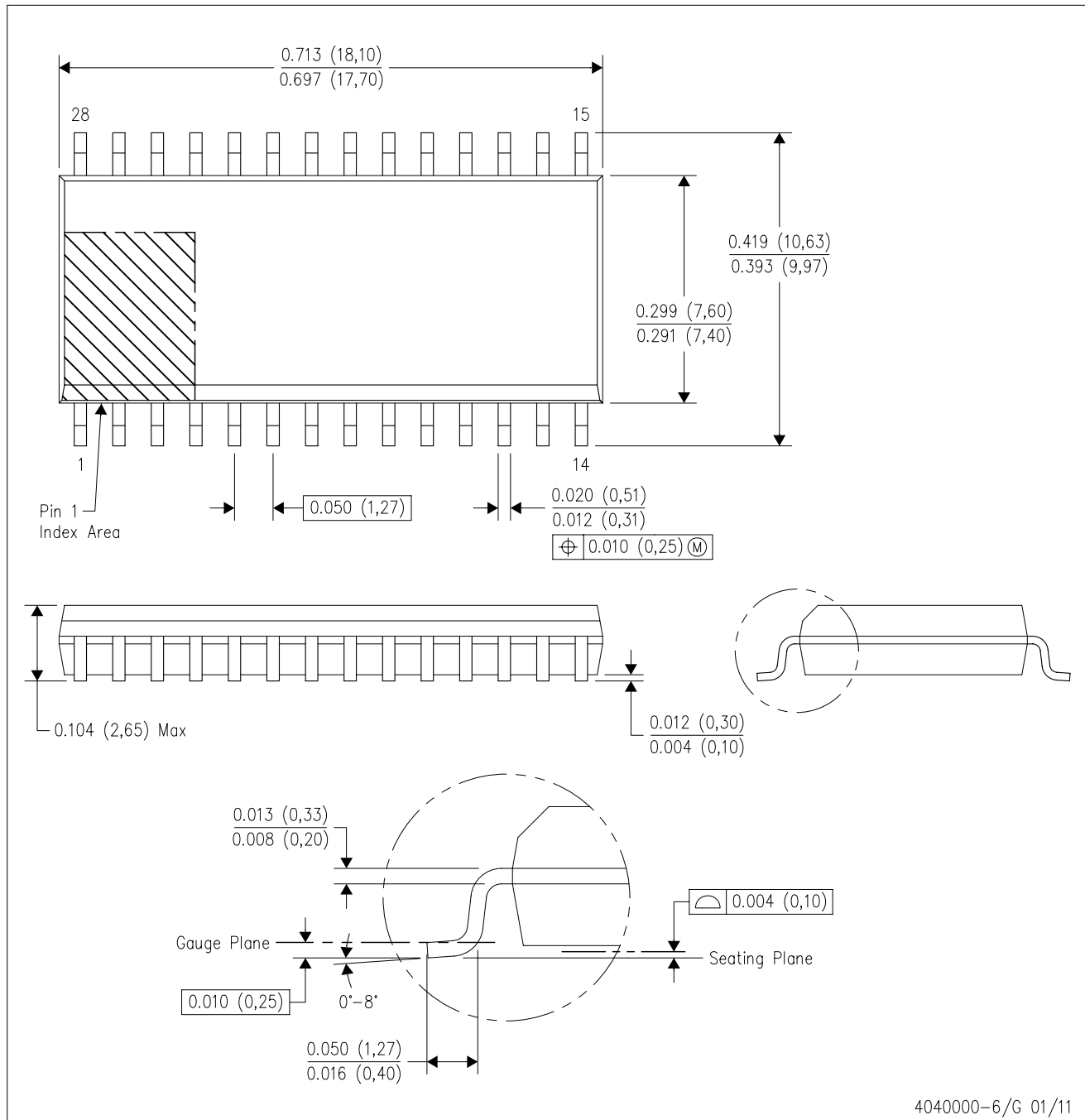
\*All dimensions are nominal

Device	Package Name	Package Type	Pins	SPQ	L (mm)	W (mm)	T (μm)	B (mm)
ADS7815U	DW	SOIC	28	20	507	12.83	5080	6.6
ADS7815U.A	DW	SOIC	28	20	507	12.83	5080	6.6
ADS7815UG4	DW	SOIC	28	20	507	12.83	5080	6.6

**MECHANICAL DATA**

DW (R-PDSO-G28)

PLASTIC SMALL OUTLINE

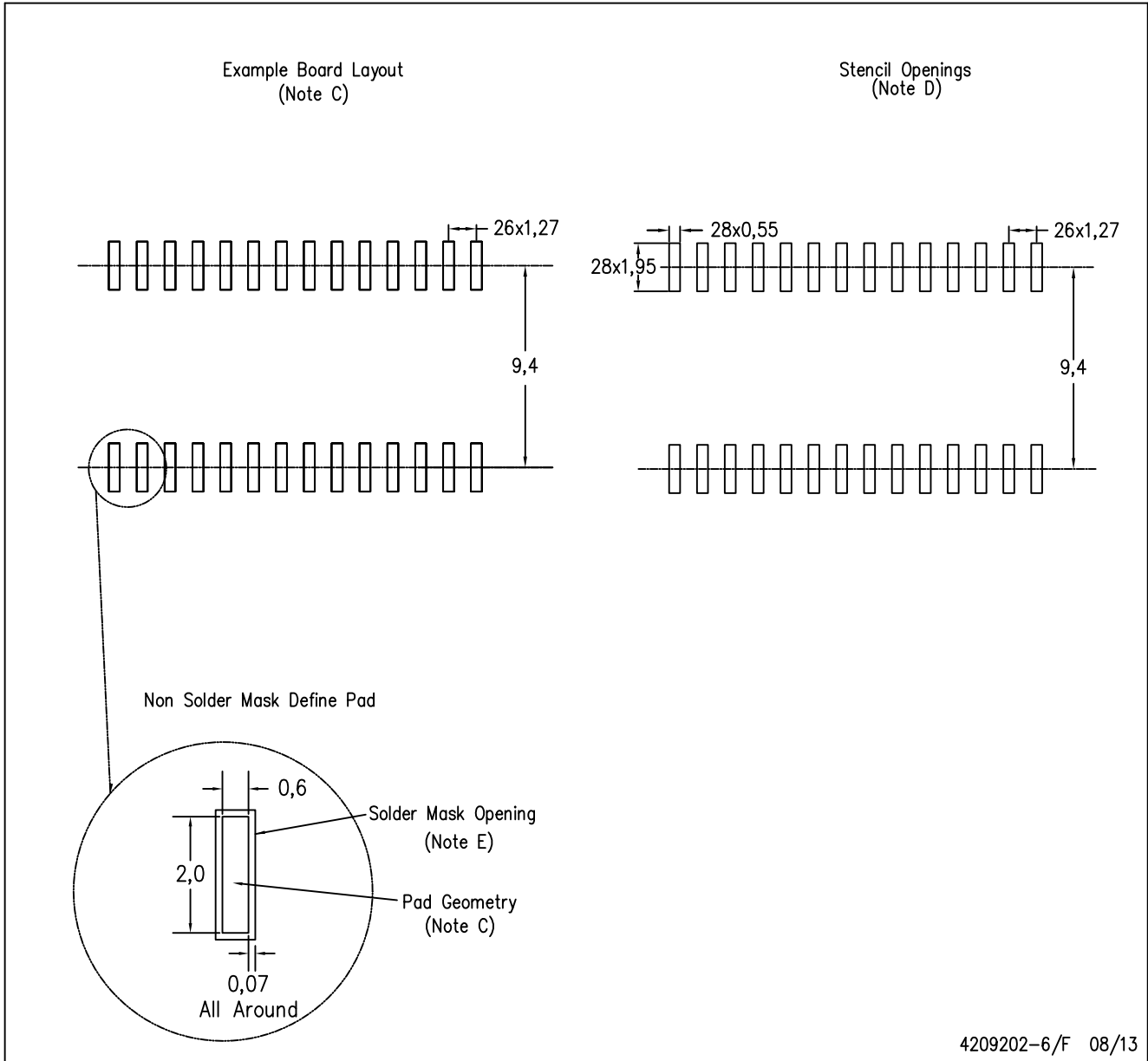


- NOTES:
- A. All linear dimensions are in inches (millimeters). Dimensioning and tolerancing per ASME Y14.5M-1994.
  - B. This drawing is subject to change without notice.
  - C. Body dimensions do not include mold flash or protrusion not to exceed 0.006 (0,15).
  - D. Falls within JEDEC MS-013 variation AE.

LAND PATTERN DATA

DW (R-PDSO-G28)

PLASTIC SMALL OUTLINE



4209202-6/F 08/13

- NOTES:
- A. All linear dimensions are in millimeters.
  - B. This drawing is subject to change without notice.
  - C. Refer to IPC7351 for alternate board design.
  - D. Laser cutting apertures with trapezoidal walls and also rounding corners will offer better paste release. Customers should contact their board assembly site for stencil design recommendations. Refer to IPC-7525
  - E. Customers should contact their board fabrication site for solder mask tolerances between and around signal pads.

## IMPORTANT NOTICE AND DISCLAIMER

TI PROVIDES TECHNICAL AND RELIABILITY DATA (INCLUDING DATASHEETS), DESIGN RESOURCES (INCLUDING REFERENCE DESIGNS), APPLICATION OR OTHER DESIGN ADVICE, WEB TOOLS, SAFETY INFORMATION, AND OTHER RESOURCES "AS IS" AND WITH ALL FAULTS, AND DISCLAIMS ALL WARRANTIES, EXPRESS AND IMPLIED, INCLUDING WITHOUT LIMITATION ANY IMPLIED WARRANTIES OF MERCHANTABILITY, FITNESS FOR A PARTICULAR PURPOSE OR NON-INFRINGEMENT OF THIRD PARTY INTELLECTUAL PROPERTY RIGHTS.

These resources are intended for skilled developers designing with TI products. You are solely responsible for (1) selecting the appropriate TI products for your application, (2) designing, validating and testing your application, and (3) ensuring your application meets applicable standards, and any other safety, security, regulatory or other requirements.

These resources are subject to change without notice. TI grants you permission to use these resources only for development of an application that uses the TI products described in the resource. Other reproduction and display of these resources is prohibited. No license is granted to any other TI intellectual property right or to any third party intellectual property right. TI disclaims responsibility for, and you fully indemnify TI and its representatives against any claims, damages, costs, losses, and liabilities arising out of your use of these resources.

TI's products are provided subject to [TI's Terms of Sale](#), [TI's General Quality Guidelines](#), or other applicable terms available either on [ti.com](http://ti.com) or provided in conjunction with such TI products. TI's provision of these resources does not expand or otherwise alter TI's applicable warranties or warranty disclaimers for TI products. Unless TI explicitly designates a product as custom or customer-specified, TI products are standard, catalog, general purpose devices.

TI objects to and rejects any additional or different terms you may propose.

Copyright © 2025, Texas Instruments Incorporated

Last updated 10/2025

## OUR CERTIFICATE

DiGi provide top-quality products and perfect service for customer worldwide through standardization, technological innovation and continuous improvement. DiGi through third-party certification, we stricly control the quality of products and services. Welcome your RFQ to

Email: [Info@DiGi-Electronics.com](mailto:Info@DiGi-Electronics.com)



Tel: +00 852-30501935

RFQ Email: [Info@DiGi-Electronics.com](mailto:Info@DiGi-Electronics.com)

DiGi is a global authorized distributor of electronic components.