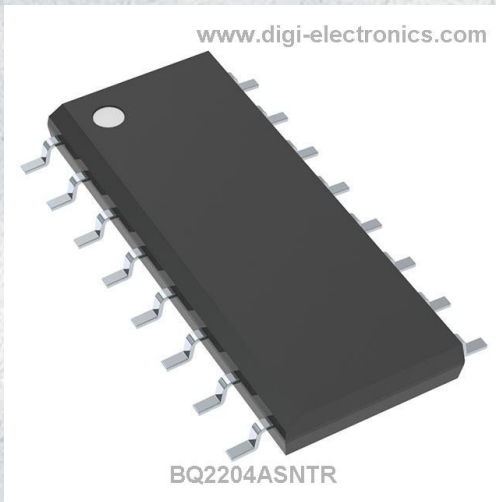


BQ2204ASNTR Datasheet



<https://www.DiGi-Electronics.com>

DiGi Electronics Part Number	BQ2204ASNTR-DG
Manufacturer	Texas Instruments
Manufacturer Product Number	BQ2204ASNTR
Description	IC X4 SRAM NONVOL CTRLR 16-SOIC
Detailed Description	Memory, Integrated Circuits (ICs)



Tel: +00 852-30501935

RFQ Email: Info@DiGi-Electronics.com

DiGi is a global authorized distributor of electronic components.

Purchase and inquiry

Manufacturer Product Number:

BQ2204ASNTR

Series:

-

Controller Type:

Nonvolatile SRAM

Operating Temperature:

0°C ~ 70°C

Package / Case:

16-SOIC (0.154", 3.90mm Width)

Base Product Number:

BQ2204

Manufacturer:

Texas Instruments

Product Status:

Active

Voltage - Supply:

4.5V ~ 5.5V

Mounting Type:

Surface Mount

Supplier Device Package:

16-SOIC

Environmental & Export classification

RoHS Status:

ROHS3 Compliant

REACH Status:

REACH Unaffected

HTSUS:

8542.39.0001

Moisture Sensitivity Level (MSL):

2 (1 Year)

ECCN:

EAR99



bq2204A

X4 SRAM Nonvolatile Controller Unit

Features

- Power monitoring and switching for 3-volt battery-backup applications
- Write-protect control
- 2-input decoder for control of up to 4 banks of SRAM
- 3-volt primary cell inputs
- Less than 10ns chip-enable propagation delay
- 5% or 10% supply operation

General Description

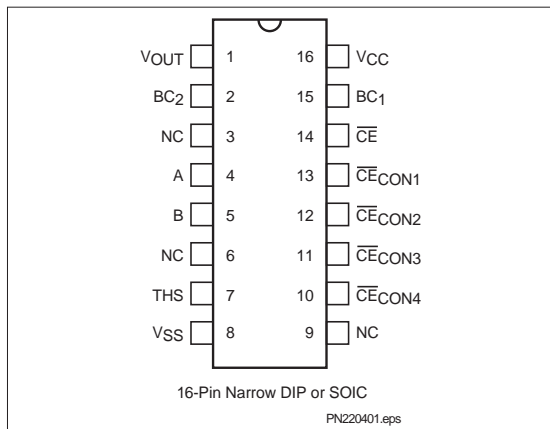
The CMOS bq2204A SRAM Nonvolatile Controller Unit provides all necessary functions for converting up to four banks of standard CMOS SRAM into nonvolatile read/write memory.

A precision comparator monitors the 5V VCC input for an out-of-tolerance condition. When out-of-tolerance is detected, the four conditioned chip-enable outputs are forced inactive to write-protect up to four banks of SRAM.

During a power failure, the external SRAMs are switched from the VCC supply to one of two 3V backup supplies. On a subsequent power-up, the SRAMs are write-protected until a power-valid condition exists.

During power-valid operation, a two-input decoder transparently selects one of up to four banks of SRAM.

Pin Connections



Pin Names

VOUT	Supply output
BC ₁ –BC ₂	3 volt primary backup cell inputs
THS	Threshold select input
\overline{CE}	chip-enable active low input
$\overline{CECON1}$ – $\overline{CECON4}$	Conditioned chip-enable outputs
A–B	Decoder inputs
NC	No connect
VCC	+5 volt supply input
VSS	Ground

Functional Description

Up to four banks of CMOS static RAM can be battery-backed using the VOUT and conditioned chip-enable output pins from the bq2204A. As VCC slews down during a power failure, the conditioned chip-enable outputs $\overline{CECON1}$ through $\overline{CECON4}$ are forced inactive independent of the chip-enable input \overline{CE} .

This activity unconditionally write-protects the external SRAM as VCC falls below an out-of-tolerance threshold VPFD. VPFD is selected by the threshold select input pin, THS. If THS is tied to VSS, the power-fail detection occurs at 4.62V typical for 5% supply operation.

If THS is tied to VCC, power-fail detection occurs at 4.37V typical for 10% supply operation. The THS pin must be tied to VSS or VCC for proper operation.

If a memory access is in process to any of the four external banks of SRAM during power-fail detection, that memory cycle continues to completion before the memory is write-protected. If the memory cycle is not terminated within time t_{WPT} , all four chip-enable outputs are unconditionally driven high, write-protecting the controlled SRAMs.

bq2204A

As the supply continues to fall past V_{PFD} , an internal switching device forces V_{OUT} to one of the two external backup energy sources. $\overline{CECON1}$ through $\overline{CECON4}$ are held high by the V_{OUT} energy source.

During power-up, V_{OUT} is switched back to the 5V supply as V_{CC} rises above the backup cell input voltage sourcing V_{OUT} . Outputs $\overline{CECON1}$ through $\overline{CECON4}$ are held inactive for time t_{CER} (120ms maximum) after the power supply has reached V_{PFD} , independent of the \overline{CE} input, to allow for processor stabilization.

During power-valid operation, the \overline{CE} input is passed through to one of the four \overline{CECON} outputs with a propagation delay of less than 10ns. The \overline{CE} input is output on one of the four \overline{CECON} output pins depending on the level of the decode inputs at A and B as shown in the Truth Table.

The A and B inputs are usually tied to high-order address pins so that a large nonvolatile memory can be designed using lower-density memory devices. Nonvolatility and decoding are achieved by hardware hookup as shown in Figure 1.

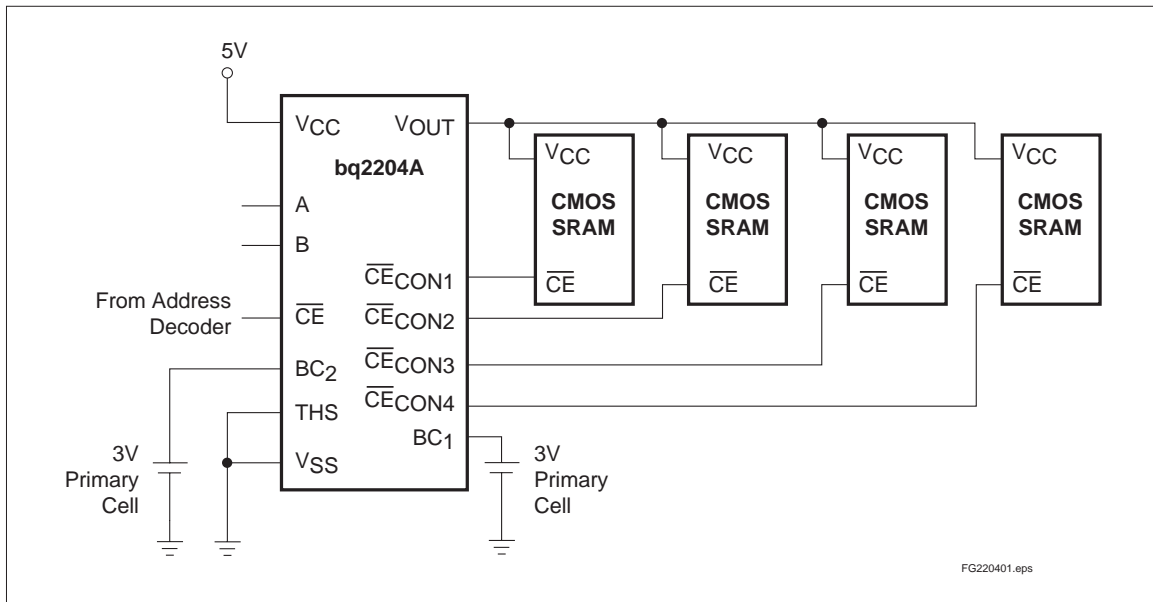


Figure 1. Hardware Hookup (5% Supply Operation)

FG220401.eps

bq2204A

Energy Cell Inputs—BC₁, BC₂

Two backup energy source inputs are provided on the bq2204A. The BC₁ and BC₂ inputs accept a 3V primary battery (non-rechargeable), typically some type of lithium chemistry. If no primary cell is to be used on either BC₁ or BC₂, the unused input should be tied to V_{SS}.

V_{CC} falling below V_{VPFD} starts the comparison of BC₁ and BC₂. The BC input comparison continues until V_{CC} rises above V_{VS0}. Power to V_{OUT} begins with BC₁ and switches to BC₂ only when V_{BC1} is less than V_{BC2} minus V_{B_{SO}}. The controller alternates to the higher BC voltage only when the difference between the BC input voltages is greater than V_{B_{SO}}. Alternating the backup batteries allows one-at-a-time battery replacement and efficient use of both backup batteries.

To prevent battery drain when there is no valid data to retain, V_{OUT} and $\overline{\text{CE}}_{\text{CON1-4}}$ are internally isolated from BC₁ and BC₂ by either of the following conditions:

- Initial connection of a battery to BC₁ or BC₂, or
- Presentation of an isolation signal on $\overline{\text{CE}}$.

A valid isolation signal requires $\overline{\text{CE}}$ low as V_{CC} crosses both V_{VPFD} and V_{VS0} during a power-down. See Figure 2. Between these two points in time, $\overline{\text{CE}}$ must be brought to the point of (0.48 to 0.52)*V_{CC} and held for at least 700ns. The isolation signal is invalid if $\overline{\text{CE}}$ exceeds 0.54*V_{CC} at any point between V_{CC} crossing V_{VPFD} and V_{VS0}.

The appropriate battery is connected to V_{OUT} and $\overline{\text{CE}}_{\text{CON1-4}}$ immediately on subsequent application and removal of V_{CC}.

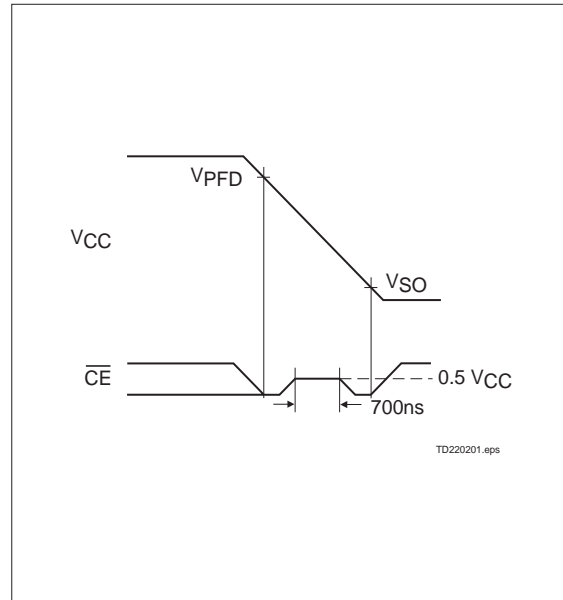


Figure 2. Battery Isolation Signal

Truth Table

Input			Output			
$\overline{\text{CE}}$	A	B	$\overline{\text{CE}}_{\text{CON1}}$	$\overline{\text{CE}}_{\text{CON2}}$	$\overline{\text{CE}}_{\text{CON3}}$	$\overline{\text{CE}}_{\text{CON4}}$
H	X	X	H	H	H	H
L	L	L	L	H	H	H
L	H	L	H	L	H	H
L	L	H	H	H	L	H
L	H	H	H	H	H	L

bq2204A

Absolute Maximum Ratings

Symbol	Parameter	Value	Unit	Conditions
VCC	DC voltage applied on VCC relative to VSS	-0.3 to +7.0	V	
VT	DC voltage applied on any pin excluding VCC relative to VSS	-0.3 to +7.0	V	$V_T \leq V_{CC} + 0.3$
TOPR	Operating temperature	0 to 70	°C	Commercial
		-40 to +85	°C	Industrial "N"
TSTG	Storage temperature	-55 to +125	°C	
TBIAS	Temperature under bias	-40 to +85	°C	
TSOLDER	Soldering temperature	260	°C	For 10 seconds
IOUT	VOUT current	200	mA	

Note: Permanent device damage may occur if **Absolute Maximum Ratings** are exceeded. Functional operation should be limited to the Recommended DC Operating Conditions detailed in this data sheet. Exposure to conditions beyond the operational limits for extended periods of time may affect device reliability.

Recommended DC Operating Conditions ($T_A = T_{OPR}$)

Symbol	Parameter	Minimum	Typical	Maximum	Unit	Notes
VCC	Supply voltage	4.75	5.0	5.5	V	THS = VSS
		4.50	5.0	5.5	V	THS = VCC
VSS	Supply voltage	0	0	0	V	
VIL	Input low voltage	-0.3	-	0.8	V	
VIH	Input high voltage	2.2	-	$V_{CC} + 0.3$	V	
VBC1, VBC2	Backup cell voltage	2.0	-	4.0	V	$V_{CC} < V_{BC}$
THS	Threshold select	-0.3	-	$V_{CC} + 0.3$	V	

Note: Typical values indicate operation at $T_A = 25^\circ\text{C}$, $V_{CC} = 5\text{V}$ or V_{BC} .

DC Electrical Characteristics ($T_A = T_{OPR}$, $V_{CC} = 5V \pm 10\%$)

Symbol	Parameter	Minimum	Typical	Maximum	Unit	Conditions/Notes
I _{LI}	Input leakage current	-	-	± 1	μA	V _{IN} = V _{SS} to V _{CC}
V _{OH}	Output high voltage	2.4	-	-	V	I _{OH} = -2.0mA
V _{OH(B)}	V _{OH} , BC supply	V _{BC} - 0.3	-	-	V	V _{BC} > V _{CC} , I _{OH} = -10μA
V _{OL}	Output low voltage	-	-	0.4	V	I _{OL} = 4.0mA
I _{CC}	Operating supply current	-	3	6	mA	No load on outputs.
V _{PF(D)}	Power-fail detect voltage	4.55	4.62	4.75	V	T _{HS} = V _{SS}
		4.30	4.37	4.50	V	T _{HS} = V _{CC}
V _{SO}	Supply switch-over voltage	-	V _{BC}	-	V	
I _{CC(DR)}	Data-retention mode current	-	-	100	nA	V _{OUT} data-retention current to additional memory not included.
V _{BC}	Active backup cell voltage	-	V _{BC1}	-	V	V _{BC1} > V _{BC2} + V _{B(SO)}
		-	V _{BC2}	-	V	V _{BC2} > V _{BC1} + V _{B(SO)}
V _{B(SO)}	Battery switch-over voltage	0.25	0.4	0.6	V	
I _{OUT1}	V _{OUT} current	-	-	160	mA	V _{OUT} > V _{CC} - 0.3V
I _{OUT2}	V _{OUT} current	-	100	-	μA	V _{OUT} > V _{BC} - 0.2V

Note: Typical values indicate operation at $T_A = 25^\circ\text{C}$, $V_{CC} = 5V$ or V_{BC} .

Capacitance ($T_A = 25^\circ\text{C}$, $F = 1\text{MHz}$, $V_{CC} = 5.0V$)

Symbol	Parameter	Minimum	Typical	Maximum	Unit	Conditions
C _{IN}	Input capacitance	-	-	8	pF	Input voltage = 0V
C _{OUT}	Output capacitance	-	-	10	pF	Output voltage = 0V

Note: This parameter is sampled and not 100% tested.

bq2204A

AC Test Conditions

Parameter	Test Conditions
Input pulse levels	0V to 3.0V
Input rise and fall times	5ns
Input and output timing reference levels	1.5V (unless otherwise specified)

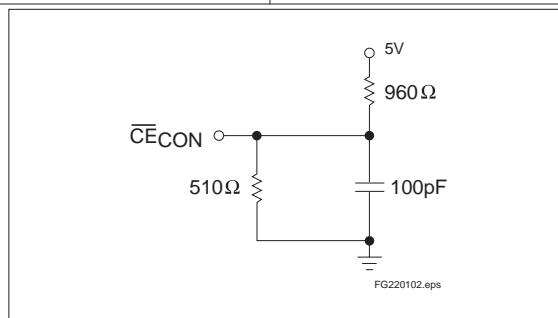


Figure 3. Output Load

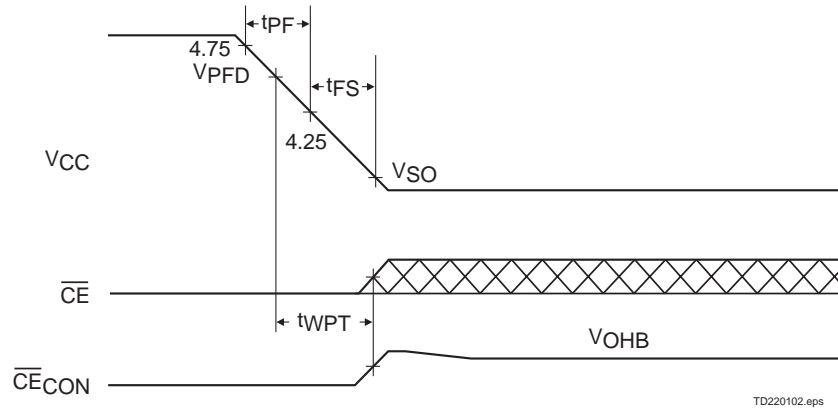
Power-Fail Control ($T_A = T_{OPR}$)

Symbol	Parameter	Minimum	Typical	Maximum	Unit	Notes
tPF	V _{CC} slew, 4.75V to 4.25V	300	-	-	μs	
tFS	V _{CC} slew, 4.25V to V _{SO}	10	-	-	μs	
tPU	V _{CC} slew, 4.25V to 4.75V	0	-	-	μs	
tCED	chip-enable propagation delay	-	7	10	ns	
tAS	A,B set up to \overline{CE}	0	-	-	ns	
tCER	chip-enable recovery	40	80	120	ms	Time during which SRAM is write-protected after V _{CC} passes V _{PF\overline{D}} on power-up.
tWPT	Write-protect time	40	100	150	μs	Delay after V _{CC} slews down past V _{PF\overline{D}} before SRAM is write-protected.

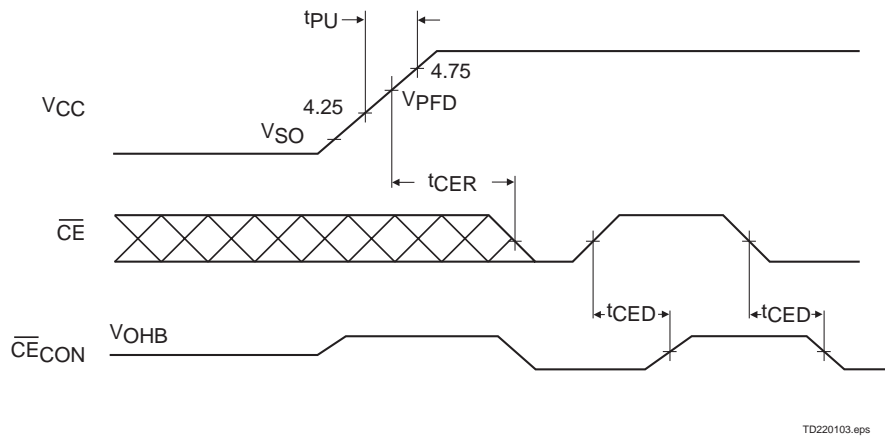
Note: Typical values indicate operation at $T_A = 25^\circ\text{C}$, $V_{CC} = 5\text{V}$.

Caution: Negative undershoots below the absolute maximum rating of -0.3V in battery-backup mode may affect data integrity.

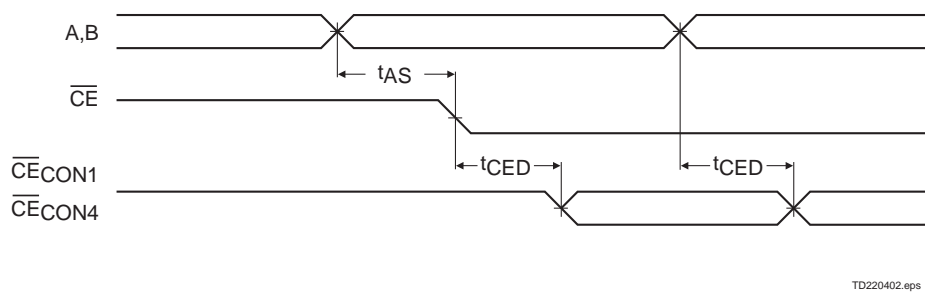
Power-Down Timing



Power-Up Timing



Address-Decode Timing



bq2204A

Data Sheet Revision History

Change No.	Page No.	Description of Change	Nature of Change
1	All	bq2204A replaces bq2204.	
1	1, 4-5	10% tolerance requires the THS pin to be tied to VCC, not VOUT.	
1	3	Energy cell input selection process alternates between BC1 and BC2.	

Note: Change 1 = Dec. 1992 changes from Sept. 1991

PACKAGING INFORMATION

Orderable part number	Status (1)	Material type (2)	Package Pins	Package qty Carrier	RoHS (3)	Lead finish/ Ball material (4)	MSL rating/ Peak reflow (5)	Op temp (°C)	Part marking (6)
BQ2204APN	Active	Production	PDIP (N) 16	25 TUBE	Yes	NIPDAU	N/A for Pkg Type	0 to 70	2204APN
BQ2204APN.B	Active	Production	PDIP (N) 16	25 TUBE	Yes	NIPDAU	N/A for Pkg Type	0 to 70	2204APN
BQ2204ASN	Active	Production	SOIC (D) 16	40 TUBE	Yes	NIPDAU	Level-2-260C-1 YEAR	0 to 70	2204A
BQ2204ASN-N	Active	Production	SOIC (D) 16	40 TUBE	Yes	NIPDAU	Level-2-260C-1 YEAR	-40 to 85	2204A
BQ2204ASN-N.B	Active	Production	SOIC (D) 16	40 TUBE	Yes	NIPDAU	Level-2-260C-1 YEAR	-40 to 85	2204A
BQ2204ASN.B	Active	Production	SOIC (D) 16	40 TUBE	Yes	NIPDAU	Level-2-260C-1 YEAR	0 to 70	2204A
BQ2204ASNTR	Active	Production	SOIC (D) 16	2500 LARGE T&R	Yes	NIPDAU	Level-2-260C-1 YEAR	0 to 70	2204A
BQ2204ASNTR.B	Active	Production	SOIC (D) 16	2500 LARGE T&R	Yes	NIPDAU	Level-2-260C-1 YEAR	0 to 70	2204A

(1) **Status:** For more details on status, see our [product life cycle](#).

(2) **Material type:** When designated, preproduction parts are prototypes/experimental devices, and are not yet approved or released for full production. Testing and final process, including without limitation quality assurance, reliability performance testing, and/or process qualification, may not yet be complete, and this item is subject to further changes or possible discontinuation. If available for ordering, purchases will be subject to an additional waiver at checkout, and are intended for early internal evaluation purposes only. These items are sold without warranties of any kind.

(3) **RoHS values:** Yes, No, RoHS Exempt. See the [TI RoHS Statement](#) for additional information and value definition.

(4) **Lead finish/Ball material:** Parts may have multiple material finish options. Finish options are separated by a vertical ruled line. Lead finish/Ball material values may wrap to two lines if the finish value exceeds the maximum column width.

(5) **MSL rating/Peak reflow:** The moisture sensitivity level ratings and peak solder (reflow) temperatures. In the event that a part has multiple moisture sensitivity ratings, only the lowest level per JEDEC standards is shown. Refer to the shipping label for the actual reflow temperature that will be used to mount the part to the printed circuit board.

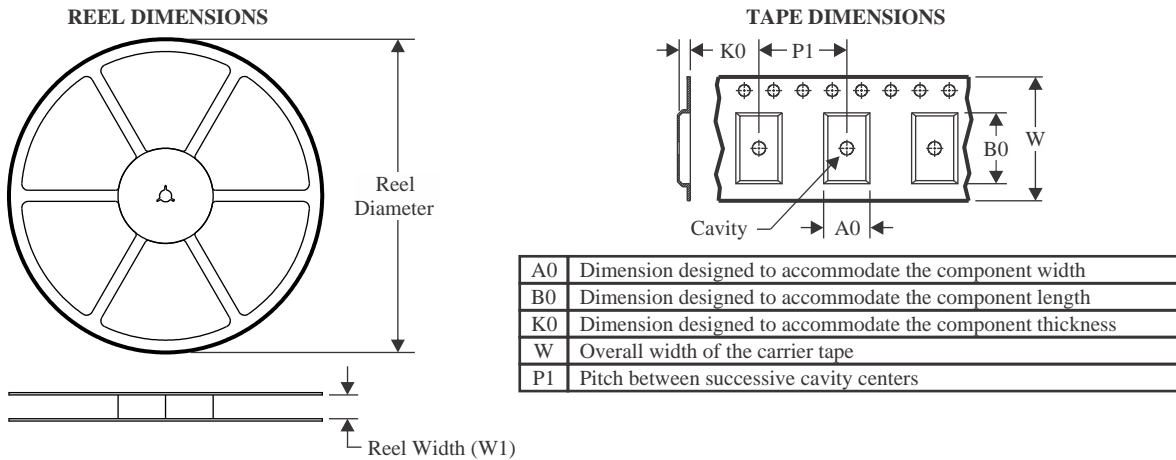
(6) **Part marking:** There may be an additional marking, which relates to the logo, the lot trace code information, or the environmental category of the part.

Multiple part markings will be inside parentheses. Only one part marking contained in parentheses and separated by a "-" will appear on a part. If a line is indented then it is a continuation of the previous line and the two combined represent the entire part marking for that device.

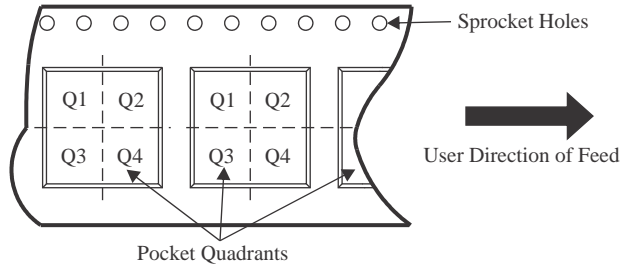
Important Information and Disclaimer:The information provided on this page represents TI's knowledge and belief as of the date that it is provided. TI bases its knowledge and belief on information provided by third parties, and makes no representation or warranty as to the accuracy of such information. Efforts are underway to better integrate information from third parties. TI has taken and continues to take reasonable steps to provide representative and accurate information but may not have conducted destructive testing or chemical analysis on incoming materials and chemicals. TI and TI suppliers consider certain information to be proprietary, and thus CAS numbers and other limited information may not be available for release.

In no event shall TI's liability arising out of such information exceed the total purchase price of the TI part(s) at issue in this document sold by TI to Customer on an annual basis.

TAPE AND REEL INFORMATION



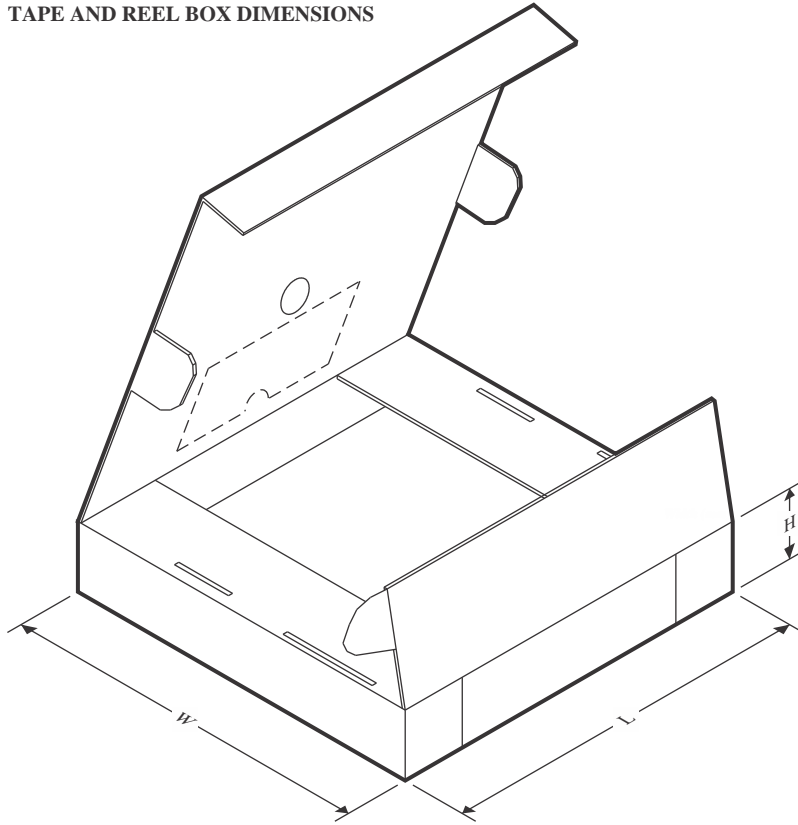
QUADRANT ASSIGNMENTS FOR PIN 1 ORIENTATION IN TAPE



*All dimensions are nominal

Device	Package Type	Package Drawing	Pins	SPQ	Reel Diameter (mm)	Reel Width W1 (mm)	A0 (mm)	B0 (mm)	K0 (mm)	P1 (mm)	W (mm)	Pin1 Quadrant
BQ2204ASNTR	SOIC	D	16	2500	330.0	16.4	6.5	10.3	2.1	8.0	16.0	Q1

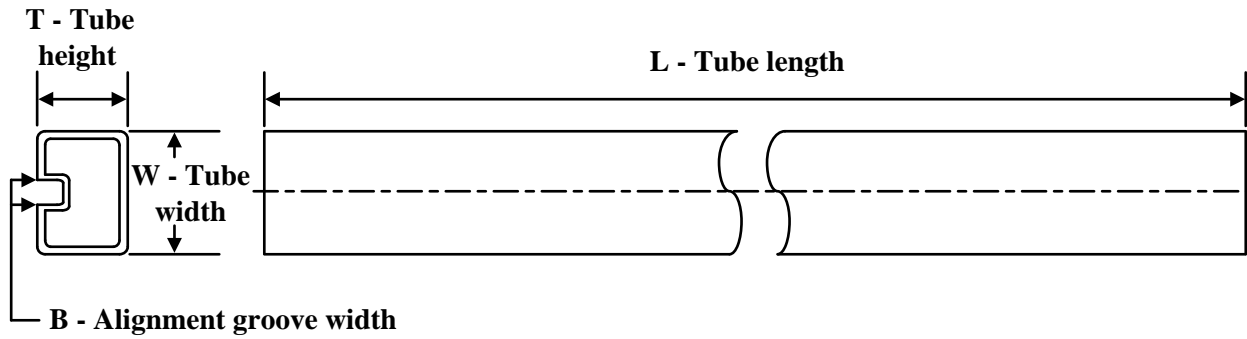
TAPE AND REEL BOX DIMENSIONS



*All dimensions are nominal

Device	Package Type	Package Drawing	Pins	SPQ	Length (mm)	Width (mm)	Height (mm)
BQ2204ASNTR	SOIC	D	16	2500	353.0	353.0	32.0

TUBE



*All dimensions are nominal

Device	Package Name	Package Type	Pins	SPQ	L (mm)	W (mm)	T (μm)	B (mm)
BQ2204APN	N	PDIP	16	25	506	13.97	11230	4.32
BQ2204APN.B	N	PDIP	16	25	506	13.97	11230	4.32
BQ2204ASN	D	SOIC	16	40	506.6	8	3940	4.32
BQ2204ASN-N	D	SOIC	16	40	506.6	8	3940	4.32
BQ2204ASN-N.B	D	SOIC	16	40	506.6	8	3940	4.32
BQ2204ASN.B	D	SOIC	16	40	506.6	8	3940	4.32

IMPORTANT NOTICE AND DISCLAIMER

TI PROVIDES TECHNICAL AND RELIABILITY DATA (INCLUDING DATASHEETS), DESIGN RESOURCES (INCLUDING REFERENCE DESIGNS), APPLICATION OR OTHER DESIGN ADVICE, WEB TOOLS, SAFETY INFORMATION, AND OTHER RESOURCES "AS IS" AND WITH ALL FAULTS, AND DISCLAIMS ALL WARRANTIES, EXPRESS AND IMPLIED, INCLUDING WITHOUT LIMITATION ANY IMPLIED WARRANTIES OF MERCHANTABILITY, FITNESS FOR A PARTICULAR PURPOSE OR NON-INFRINGEMENT OF THIRD PARTY INTELLECTUAL PROPERTY RIGHTS.

These resources are intended for skilled developers designing with TI products. You are solely responsible for (1) selecting the appropriate TI products for your application, (2) designing, validating and testing your application, and (3) ensuring your application meets applicable standards, and any other safety, security, regulatory or other requirements.

These resources are subject to change without notice. TI grants you permission to use these resources only for development of an application that uses the TI products described in the resource. Other reproduction and display of these resources is prohibited. No license is granted to any other TI intellectual property right or to any third party intellectual property right. TI disclaims responsibility for, and you fully indemnify TI and its representatives against any claims, damages, costs, losses, and liabilities arising out of your use of these resources.

TI's products are provided subject to [TI's Terms of Sale](#), [TI's General Quality Guidelines](#), or other applicable terms available either on ti.com or provided in conjunction with such TI products. TI's provision of these resources does not expand or otherwise alter TI's applicable warranties or warranty disclaimers for TI products. Unless TI explicitly designates a product as custom or customer-specified, TI products are standard, catalog, general purpose devices.

TI objects to and rejects any additional or different terms you may propose.

Copyright © 2026, Texas Instruments Incorporated

Last updated 10/2025

OUR CERTIFICATE

DiGi provide top-quality products and perfect service for customer worldwide through standardization, technological innovation and continuous improvement. DiGi through third-party certification, we strictly control the quality of products and services. Welcome your RFQ to

Email: Info@DiGi-Electronics.com



Tel: +00 852-30501935

RFQ Email: Info@DiGi-Electronics.com

DiGi is a global authorized distributor of electronic components.