

CC3000MOD Datasheet



<https://www.DiGi-Electronics.com>

DiGi Electronics Part Number	CC3000MOD-DG
Manufacturer	Texas Instruments
Manufacturer Product Number	CC3000MOD
Description	RF TXRX MODULE WIFI CHIP SMD
Detailed Description	WiFi 802.11b/g Transceiver Module 2.4GHz Integrated, Chip Surface Mount



Tel: +00 852-30501935

RFQ Email: Info@DiGi-Electronics.com

DiGi is a global authorized distributor of electronic components.

Purchase and inquiry

Manufacturer Product Number:

CC3000MOD

Series:

SimpleLink™

DiGi-Electronics Programmable:

Not Verified

Protocol:

802.11b/g

Frequency:

2.4GHz

Power - Output:

18.3dBm

Serial Interfaces:

I2C, SPI, UART

Utilized IC / Part:

-

Voltage - Supply:

1.8V ~ 3.6V

Current - Transmitting:

190mA ~ 260mA

Operating Temperature:

-20°C ~ 70°C

Base Product Number:

CC3000

Manufacturer:

Texas Instruments

Product Status:

Obsolete

RF Family/Standard:

WiFi

Modulation:

CCK, DSSS, OFDM

Data Rate:

54Mbps

Sensitivity:

-97.5dBm

Antenna Type:

Integrated, Chip

Memory Size:

-

Current - Receiving:

92mA

Mounting Type:

Surface Mount

Package / Case:

Module

Environmental & Export classification

RoHS Status:

ROHS3 Compliant

REACH Status:

REACH Unaffected

HTSUS:

8517.62.0090

Moisture Sensitivity Level (MSL):

4 (72 Hours)

ECCN:

5A992C

SimpleLink™ Wi-Fi® CC3000 Module from Texas Instruments

FEATURES

- **Wireless Network Processor**
 - IEEE 802.11 b/g
 - Embedded IPv4 TCP/IP Stack
- **Best-in-class Radio Performance:**
 - Tx Power: +18dBm at 11Mbps, CCK
 - Rx Sensitivity: –86dBm, 8% PER, 11Mbps
- **Works with low MIPS, Low Cost Microcontrollers with Compact Memory Footprint:**
 - 2KBytes Flash
 - 250Bytes RAM
- **FCC, IC and CE Certified with Chip Antenna**
- **HW Design Files and Design Guide Available from TI**
- **Integrated Crystal and Power Management**
- **Small Form Factor**
16.3mm x 13.5mm x 2mm
- **Operating Temperature Range:**
–20°C to 70°C
- **Based in TI's 7th Generation of Proven Wi-Fi Solutions**
- **Complete Platform Solution Including User and Porting Guides, API Guide, Sample Applications, and Support Community**

APPLICATIONS

- **Home Automation**
- **Home Security**
- **Connected Appliances**
- **Smart Energy**
- **M2M Communication**

DESCRIPTION

The CC3000 is a self-contained wireless network processor that simplifies the process of implementing Internet connectivity. SimpleLink™ Wi-Fi minimizes host microcontroller (MCU) software requirements making it the ideal solution for embedded applications using any low-cost and low-power MCU.

The CC3000 is provided as a module by TI to reduce development time, lower manufacturing costs, save board space, ease certification and minimize RF expertise required. Additionally, it is provided as a complete platform solution including software drivers, sample applications, API guide, user documentation and a world-class support community.

More information on TI's wireless platform solutions for Wi-Fi can be found on TI's Wireless Connectivity Wiki (www.ti.com/connectivitywiki).



Please be aware that an important notice concerning availability, standard warranty, and use in critical applications of Texas Instruments semiconductor products and disclaimers thereto appears at the end of this data sheet.

All trademarks are the property of their respective owners.

PACKAGING INFORMATION

Orderable Device	Status (1)	Package Type	Package Drawing	Pins	Package Qty	Eco Plan (2)	Lead/Ball Finish (6)	MSL Peak Temp (3)	Op Temp (°C)	Device Marking (4/5)	Samples
CC3000YFVR	LIFEBUY	DSBGA	YFV	126	2500	Green (RoHS & no Sb/Br)	SNAGCU	Level-1-260C-UNLIM		CC3000	

(1) The marketing status values are defined as follows:

ACTIVE: Product device recommended for new designs.

LIFEBUY: TI has announced that the device will be discontinued, and a lifetime-buy period is in effect.

NRND: Not recommended for new designs. Device is in production to support existing customers, but TI does not recommend using this part in a new design.

PREVIEW: Device has been announced but is not in production. Samples may or may not be available.

OBSOLETE: TI has discontinued the production of the device.

(2) **RoHS:** TI defines "RoHS" to mean semiconductor products that are compliant with the current EU RoHS requirements for all 10 RoHS substances, including the requirement that RoHS substance do not exceed 0.1% by weight in homogeneous materials. Where designed to be soldered at high temperatures, "RoHS" products are suitable for use in specified lead-free processes. TI may reference these types of products as "Pb-Free".

RoHS Exempt: TI defines "RoHS Exempt" to mean products that contain lead but are compliant with EU RoHS pursuant to a specific EU RoHS exemption.

Green: TI defines "Green" to mean the content of Chlorine (Cl) and Bromine (Br) based flame retardants meet JS709B low halogen requirements of <=1000ppm threshold. Antimony trioxide based flame retardants must also meet the <=1000ppm threshold requirement.

(3) MSL, Peak Temp. - The Moisture Sensitivity Level rating according to the JEDEC industry standard classifications, and peak solder temperature.

(4) There may be additional marking, which relates to the logo, the lot trace code information, or the environmental category on the device.

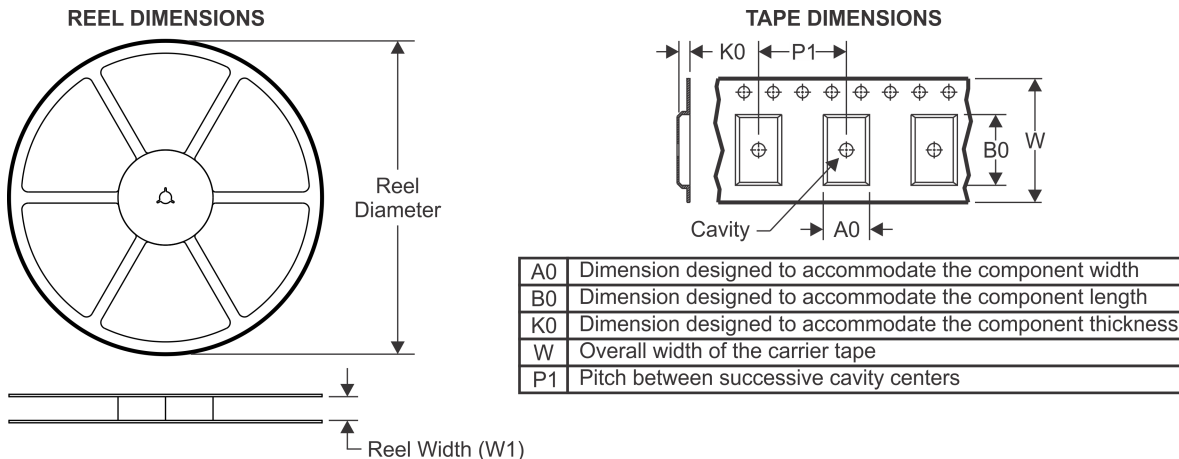
(5) Multiple Device Markings will be inside parentheses. Only one Device Marking contained in parentheses and separated by a "~" will appear on a device. If a line is indented then it is a continuation of the previous line and the two combined represent the entire Device Marking for that device.

(6) Lead/Ball Finish - Orderable Devices may have multiple material finish options. Finish options are separated by a vertical ruled line. Lead/Ball Finish values may wrap to two lines if the finish value exceeds the maximum column width.

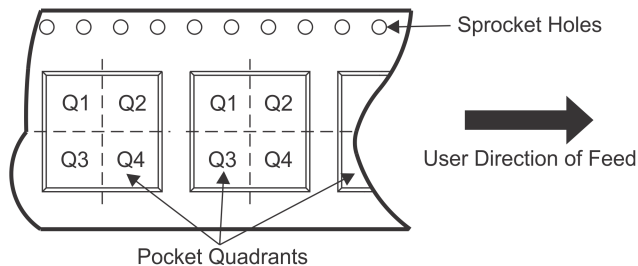
Important Information and Disclaimer: The information provided on this page represents TI's knowledge and belief as of the date that it is provided. TI bases its knowledge and belief on information provided by third parties, and makes no representation or warranty as to the accuracy of such information. Efforts are underway to better integrate information from third parties. TI has taken and continues to take reasonable steps to provide representative and accurate information but may not have conducted destructive testing or chemical analysis on incoming materials and chemicals. TI and TI suppliers consider certain information to be proprietary, and thus CAS numbers and other limited information may not be available for release.

In no event shall TI's liability arising out of such information exceed the total purchase price of the TI part(s) at issue in this document sold by TI to Customer on an annual basis.

TAPE AND REEL INFORMATION



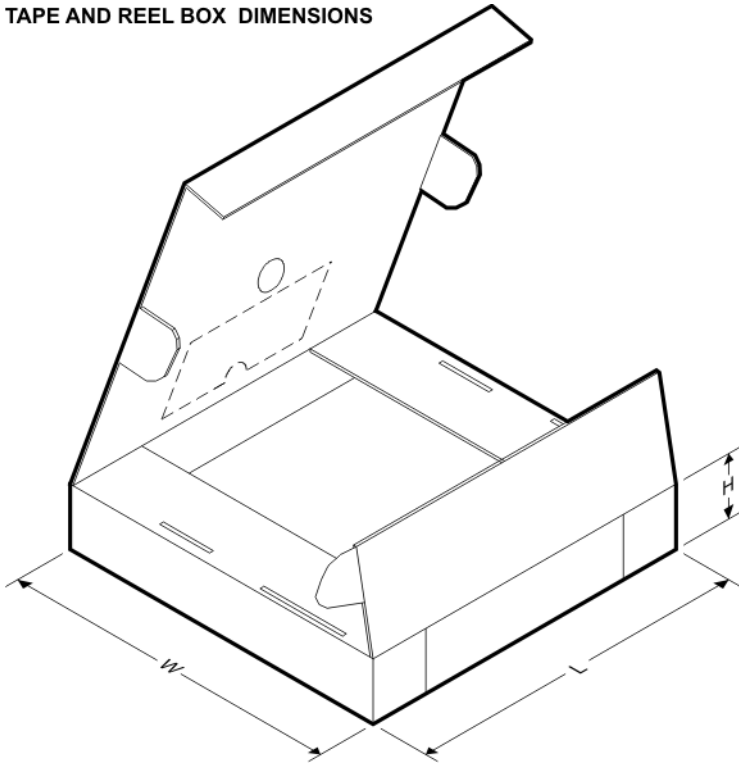
QUADRANT ASSIGNMENTS FOR PIN 1 ORIENTATION IN TAPE



*All dimensions are nominal

Device	Package Type	Package Drawing	Pins	SPQ	Reel Diameter (mm)	Reel Width W1 (mm)	A0 (mm)	B0 (mm)	K0 (mm)	P1 (mm)	W (mm)	Pin1 Quadrant
CC3000YFVR	DSBGA	YFV	126	2500	330.0	12.4	4.7	5.16	0.7	8.0	12.0	Q1

TAPE AND REEL BOX DIMENSIONS



*All dimensions are nominal

Device	Package Type	Package Drawing	Pins	SPQ	Length (mm)	Width (mm)	Height (mm)
CC3000YFVR	DSBGA	YFV	126	2500	367.0	367.0	35.0

IMPORTANT NOTICE AND DISCLAIMER

TI PROVIDES TECHNICAL AND RELIABILITY DATA (INCLUDING DATASHEETS), DESIGN RESOURCES (INCLUDING REFERENCE DESIGNS), APPLICATION OR OTHER DESIGN ADVICE, WEB TOOLS, SAFETY INFORMATION, AND OTHER RESOURCES "AS IS" AND WITH ALL FAULTS, AND DISCLAIMS ALL WARRANTIES, EXPRESS AND IMPLIED, INCLUDING WITHOUT LIMITATION ANY IMPLIED WARRANTIES OF MERCHANTABILITY, FITNESS FOR A PARTICULAR PURPOSE OR NON-INFRINGEMENT OF THIRD PARTY INTELLECTUAL PROPERTY RIGHTS.

These resources are intended for skilled developers designing with TI products. You are solely responsible for (1) selecting the appropriate TI products for your application, (2) designing, validating and testing your application, and (3) ensuring your application meets applicable standards, and any other safety, security, or other requirements. These resources are subject to change without notice. TI grants you permission to use these resources only for development of an application that uses the TI products described in the resource. Other reproduction and display of these resources is prohibited. No license is granted to any other TI intellectual property right or to any third party intellectual property right. TI disclaims responsibility for, and you will fully indemnify TI and its representatives against, any claims, damages, costs, losses, and liabilities arising out of your use of these resources.

TI's products are provided subject to TI's Terms of Sale (www.ti.com/legal/termsofsale.html) or other applicable terms available either on ti.com or provided in conjunction with such TI products. TI's provision of these resources does not expand or otherwise alter TI's applicable warranties or warranty disclaimers for TI products.

Mailing Address: Texas Instruments, Post Office Box 655303, Dallas, Texas 75265
Copyright © 2019, Texas Instruments Incorporated

OUR CERTIFICATE

DiGi provide top-quality products and perfect service for customer worldwide through standardization, technological innovation and continuous improvement. DiGi through third-party certification, we stricly control the quality of products and services. Welcome your RFQ to

Email: Info@DiGi-Electronics.com



Tel: +00 852-30501935

RFQ Email: Info@DiGi-Electronics.com

DiGi is a global authorized distributor of electronic components.