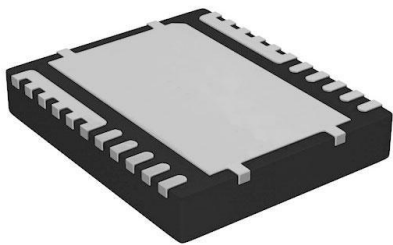


# CSD95472Q5MCT Datasheet

[www.digi-electronics.com](http://www.digi-electronics.com)



CSD95472Q5MCT

<https://www.DiGi-Electronics.com>

DiGi Electronics Part Number	CSD95472Q5MCT-DG
Manufacturer	<a href="#">Texas Instruments</a>
Manufacturer Product Number	CSD95472Q5MCT
Description	IC SYNC BUCK 60A 12VSON
Detailed Description	Driver Synchronous Buck Converters Power MOSFET 12-VSON (5x6)



Tel: +00 852-30501935

RFQ Email: [Info@DiGi-Electronics.com](mailto:Info@DiGi-Electronics.com)

DiGi is a global authorized distributor of electronic components.

## Purchase and inquiry

Manufacturer Product Number:

CSD95472Q5MCT

Series:

NexFET™

Output Configuration:

-

Interface:

PWM

Technology:

Power MOSFET

Current - Output / Channel:

60A

Voltage - Supply:

4.5V ~ 5.5V

Operating Temperature:

-55°C ~ 150°C (Tj)

Fault Protection:

Current Limiting, Over Temperature

Package / Case:

12-PowerTFDFN

Base Product Number:

CSD95472

Manufacturer:

Texas Instruments

Product Status:

Active

Applications:

Synchronous Buck Converters

Load Type:

Inductive

Rds On (Typ):

-

Current - Peak Output:

90A

Voltage - Load:

4.5V ~ 16V

Features:

Bootstrap Circuit, Diode Emulation, Status Flag

Mounting Type:

Surface Mount

Supplier Device Package:

12-VSON (5x6)

## Environmental & Export classification

RoHS Status:

ROHS3 Compliant

REACH Status:

REACH Unaffected

HTSUS:

8541.29.0095

Moisture Sensitivity Level (MSL):

2 (1 Year)

ECCN:

EAR99

# CSD95472Q5MC Synchronous Buck NexFET™ Smart Power Stage

## 1 Features

- 60-A Continuous Operating Current Capability
- 94.4% System Efficiency at 1.2 V / 30 A
- Low Power Loss of 2.3 W at 30 A
- High-Frequency Operation (up to 1.25 MHz)
- Diode Emulation Mode With FCCM
- Temperature-Compensated Bidirectional Current Sense
- Analog Temperature Output (600 mV at 0°C)
- Fault Monitoring
  - High-Side Short, Overcurrent, and Overtemperature Protection
- 3.3-V and 5-V PWM Signal Compatible
- Tri-State PWM Input
- Integrated Bootstrap Diode
- Optimized Deadtime for Shoot-Through Protection
- High-Density SON 5 × 6 mm Footprint
- Ultralow Inductance Package
- System-Optimized PCB Footprint
- DualCool™ Packaging
- RoHS Compliant – Lead-Free Terminal Plating
- Halogen Free

## 2 Applications

- Multiphase Synchronous Buck Converters
  - High-Frequency Applications
  - High-Current, Low Duty Cycle Applications
- POL DC-DC Converters
- Memory and Graphic Cards

## 3 Description

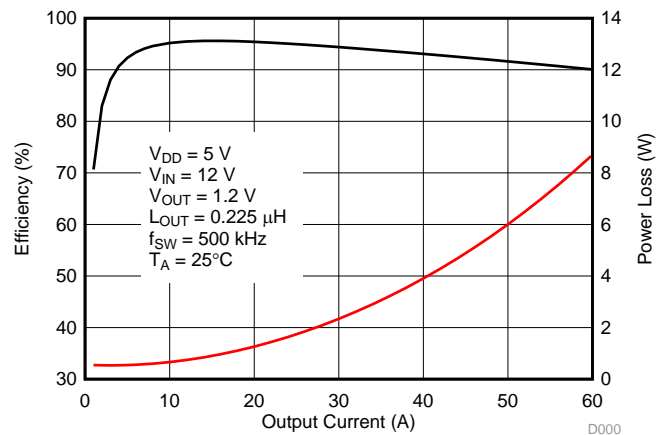
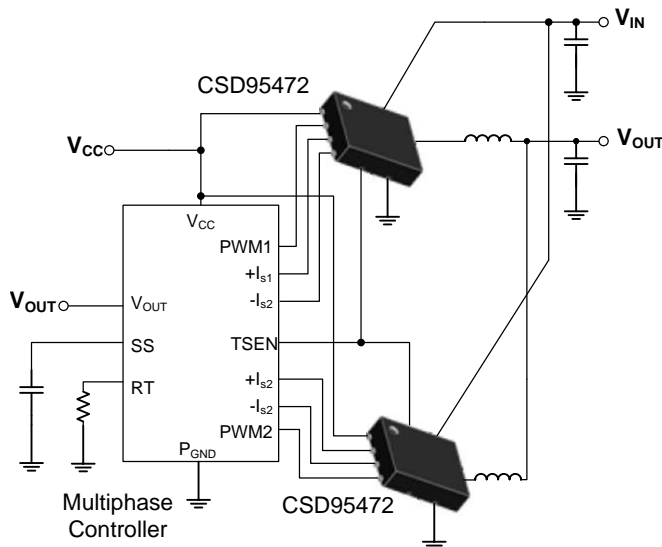
The CSD95472Q5MC NexFET™ smart power stage is a highly optimized design for use in a high-power, high-density synchronous buck converter. This product integrates the driver IC and Power MOSFETs to complete the power stage switching function. This combination produces high-current, high-efficiency, and high-speed switching capability in a small 5 mm × 6 mm outline package. It also integrates the accurate current sensing and temperature sensing functionality to simplify system design and improve accuracy. In addition, the PCB footprint has been optimized to help reduce design time and simplify the completion of the overall system design.

### Device Information<sup>(1)</sup>

DEVICE	MEDIA	QTY	PACKAGE	SHIP
CSD95472Q5MC	13-Inch Reel	2500	SON 5 × 6 mm DualCool Package	Tape and Reel
CSD95472Q5MCT	7-Inch Reel	250		

(1) For all available packages, see the orderable addendum at the end of the data sheet.

Application Diagram



**CSD95472Q5MC**

SLPS599 – FEBRUARY 2016

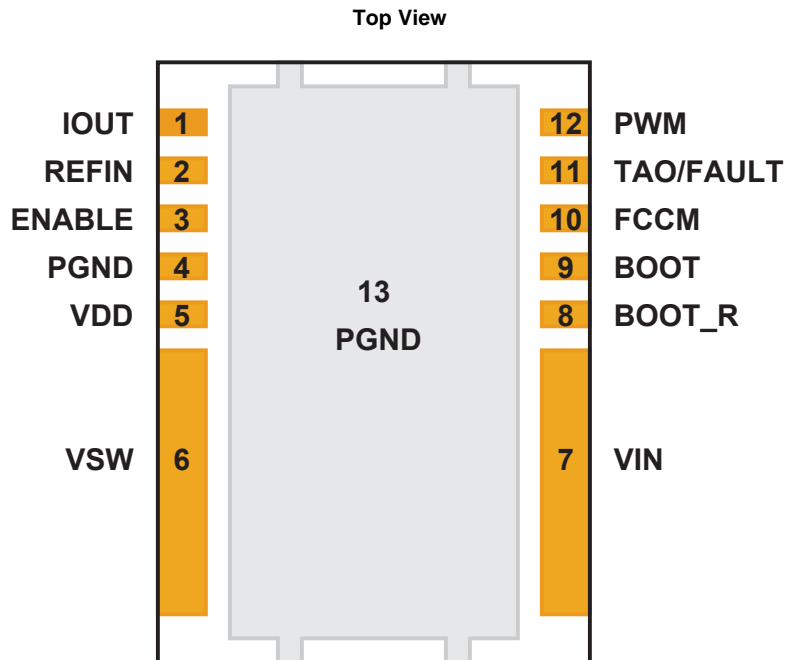
[www.ti.com](http://www.ti.com)**Table of Contents**

<b>1 Features</b> .....	<b>1</b>	<b>7 Application Schematic</b> .....	<b>5</b>
<b>2 Applications</b> .....	<b>1</b>	<b>8 Device and Documentation Support</b> .....	<b>6</b>
<b>3 Description</b> .....	<b>1</b>	8.1 Community Resources .....	6
<b>4 Revision History</b> .....	<b>2</b>	8.2 Trademarks .....	6
<b>5 Pin Configuration and Functions</b> .....	<b>3</b>	8.3 Electrostatic Discharge Caution .....	6
<b>6 Specifications</b> .....	<b>4</b>	8.4 Glossary .....	6
6.1 Absolute Maximum Ratings .....	4	<b>9 Mechanical, Packaging, and Orderable Information</b> .....	<b>7</b>
6.2 ESD Ratings .....	4	9.1 Mechanical Drawing .....	7
6.3 Recommended Operating Conditions .....	4	9.2 Recommended PCB Land Pattern .....	8
6.4 Thermal Information .....	4	9.3 Recommended Stencil Opening .....	8

**4 Revision History**

DATE	REVISION	NOTES
February 2016	*	Initial release.

## 5 Pin Configuration and Functions



### Pin Functions

PIN		DESCRIPTION
NUMBER	NAME	
1	IOUT	Output of current sensing amplifier. $V(\text{IOUT}) - V(\text{REFIN})$ is proportional to the phase current.
2	REFIN	External reference voltage input for current sensing amplifier.
3	ENABLE	Enables device operation. If ENABLE = logic HIGH, turns on device. If ENABLE = logic LOW, the device is turned off and both MOSFET gates are actively pulled low. An internal 100 k $\Omega$ pull-down resistor will pull the ENABLE pin LOW if left floating.
4	P <sub>GND</sub>	Power ground, connected directly to pin 13.
5	V <sub>DD</sub>	Supply voltage to gate driver and internal circuitry.
6	V <sub>SW</sub>	Phase node connecting the HS MOSFET source and LS MOSFET drain – pin connection to the output inductor.
7	V <sub>IN</sub>	Input voltage pin. Connect input capacitors close to this pin.
8	BOOT_R	Return path for HS gate driver, connected to V <sub>SW</sub> internally.
9	BOOT	Bootstrap capacitor connection. Connect a minimum of 0.1 $\mu\text{F}$ 16 V X7R ceramic capacitor from BOOT to BOOT_R pins. The bootstrap capacitor provides the charge to turn on the control FET. The bootstrap diode is integrated.
10	FCCM	This pin enables the diode emulation function. When this pin is held LOW, diode emulation mode is enabled for sync FET. When FCCM is HIGH, the device is operated in forced continuous conduction mode. An internal 5 $\mu\text{A}$ current source will pull the FCCM pin to 3.3 V if left floating.
11	TAO/ FAULT	Temperature Analog Output. Reports a voltage proportional to the die temperature. An ORing diode is integrated in the IC. When used in multiphase application, a single wire can be used to connect the TAO pins of all the ICs. Only the highest temperature will be reported. TAO will be pulled up to 3.3 V if thermal shutdown occurs. TAO should be bypassed to P <sub>GND</sub> with a 1 nF 16 V X7R ceramic capacitor.
12	PWM	Pulse width modulated tri-state input from external controller. Logic LOW sets control FET gate low and sync FET gate high. Logic HIGH sets control FET gate high and sync FET gate low. Open or High Z sets both MOSFET gates low if greater than the tri-state shutdown hold-off time ( $t_{3HT}$ ).
13	P <sub>GND</sub>	Power ground.

**CSD95472Q5MC**

SLPS599 – FEBRUARY 2016

www.ti.com

**6 Specifications****6.1 Absolute Maximum Ratings** $T_A = 25^\circ\text{C}$  (unless otherwise noted)<sup>(1)</sup>

	MIN	MAX	UNIT
$V_{IN}$ to $P_{GND}$	-0.3	20	V
$V_{IN}$ to $V_{SW}$	-0.3	20	V
$V_{IN}$ to $V_{SW}$ (10 ns)		23	V
$V_{SW}$ to $P_{GND}$	-0.3	20	V
$V_{SW}$ to $P_{GND}$ (10 ns)	-7	23	V
$V_{DD}$ to $P_{GND}$	-0.3	7	V
ENABLE, PWM, FCCM, TAO, IOU, REFIN to $P_{GND}$ <sup>(2)</sup>	-0.3	$V_{DD} + 0.3\text{ V}$	V
BOOT to BOOT_R <sup>(2)</sup>	-0.3	$V_{DD} + 0.3\text{ V}$	V
$P_D$ Power dissipation		12	W
$T_J$ Operating junction	-55	150	$^\circ\text{C}$
$T_{stg}$ Storage temperature	-55	150	$^\circ\text{C}$

- (1) Stresses beyond those listed under *Absolute Maximum Ratings* may cause permanent damage to the device. These are stress ratings only, which do not imply functional operation of the device at these or any other conditions beyond those indicated under *Recommended Operating Conditions*. Exposure to absolute-maximum-rated conditions for extended periods may affect device reliability.
- (2) Should not exceed 7 V.

**6.2 ESD Ratings**

	VALUE	UNIT
$V_{(ESD)}$ Electrostatic discharge	Human body model (HBM)	$\pm 2000$
	Charged device model (CDM)	$\pm 500$
		V

**6.3 Recommended Operating Conditions** $T_A = 25^\circ$  (unless otherwise noted)

	MIN	MAX	UNIT
$V_{DD}$ Gate drive voltage	4.5	5.5	V
$V_{IN}$ Input supply voltage <sup>(1)</sup>		16	V
$V_{OUT}$ Output voltage		5.5	V
$I_{OUT}$ Continuous output current	$V_{IN} = 12\text{ V}$ , $V_{DD} = 5\text{ V}$ , $V_{OUT} = 1.2\text{ V}$ , $f_{SW} = 500\text{ kHz}$ , $L_{OUT} = 0.225\text{ }\mu\text{H}$ <sup>(2)</sup>	60	A
$I_{OUT-PK}$ Peak output current <sup>(3)</sup>		90	A
$f_{SW}$ Switching frequency	$C_{BST} = 0.1\text{ }\mu\text{F}$ (min)	1250	kHz
On time duty cycle	$f_{SW} = 1\text{ MHz}$	85%	
Minimum PWM on time	40		ns
Operating temperature	-40	125	$^\circ\text{C}$

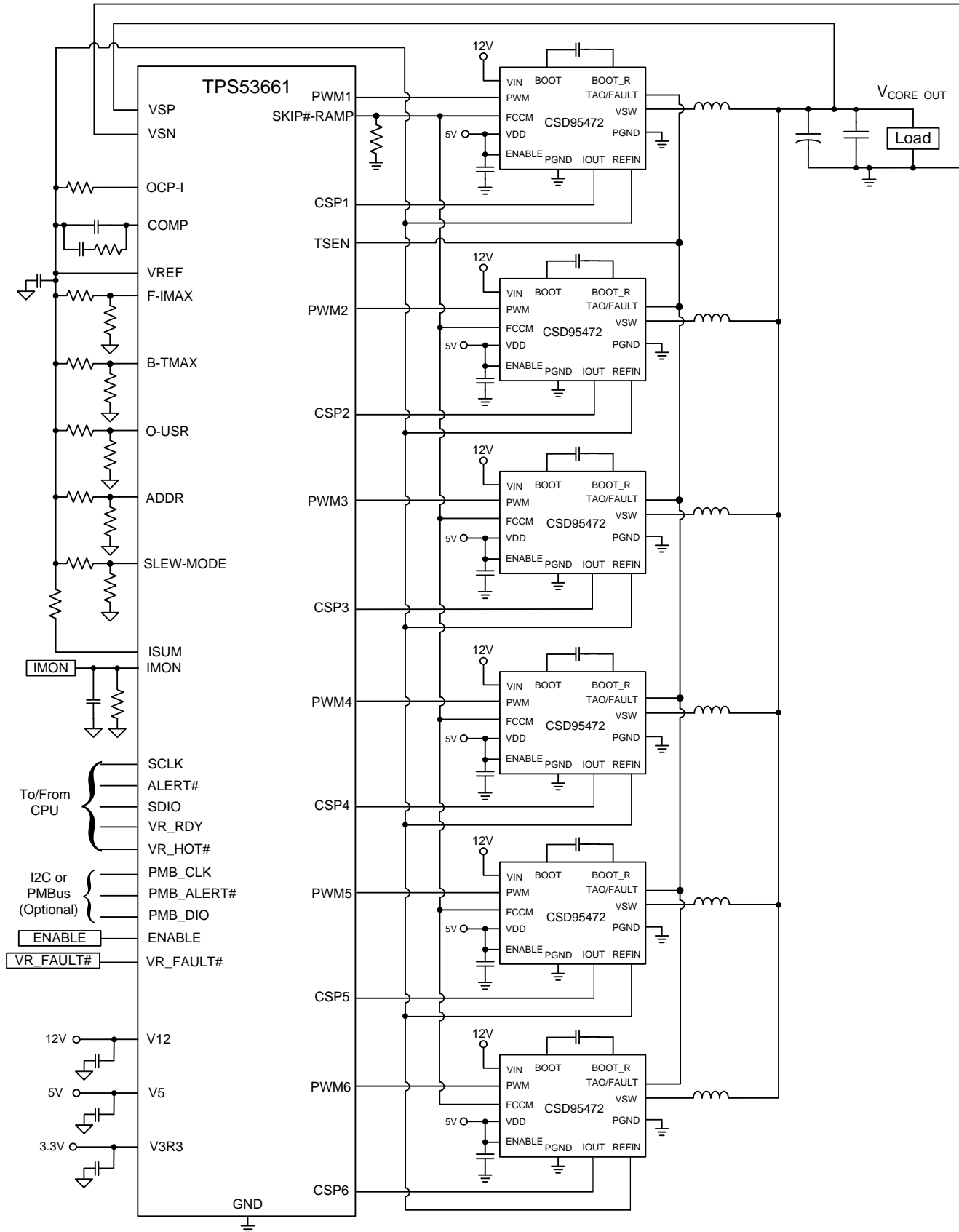
- (1) Operating at high  $V_{IN}$  can create excessive AC voltage overshoots on the switch node ( $V_{SW}$ ) during MOSFET switching transients. For reliable operation, the switch node ( $V_{SW}$ ) to ground voltage must remain at or below the *Absolute Maximum Ratings*.
- (2) Measurement made with six 10  $\mu\text{F}$  (TDK C3216X5R1C106KT or equivalent) ceramic capacitors placed across  $V_{IN}$  to  $P_{GND}$  pins.
- (3) System conditions as defined in Note 1. Peak Output Current is applied for  $t_p = 50\text{ }\mu\text{s}$ .

**6.4 Thermal Information** $T_A = 25^\circ\text{C}$  (unless otherwise noted)

THERMAL METRIC		MIN	TYP	MAX	UNIT
$R_{\theta JC(top)}$	Junction-to-case (top of package) thermal resistance <sup>(1)</sup>			5	$^\circ\text{C/W}$
$R_{\theta JB}$	Junction-to-board thermal resistance <sup>(2)</sup>			1.5	

- (1)  $R_{\theta JC(top)}$  is determined with the device mounted on a 1 inch<sup>2</sup> (6.45 cm<sup>2</sup>), 2-oz (0.071 mm thick) Cu pad on a 1.5 inches x 1.5 inches, 0.06-inch (1.52-mm) thick FR4 board.
- (2)  $R_{\theta JB}$  value based on hottest board temperature within 1 mm of the package.

## 7 Application Schematic



## 8 Device and Documentation Support

### 8.1 Community Resources

The following links connect to TI community resources. Linked contents are provided "AS IS" by the respective contributors. They do not constitute TI specifications and do not necessarily reflect TI's views; see TI's [Terms of Use](#).

**TI E2E™ Online Community** *TI's Engineer-to-Engineer (E2E) Community*. Created to foster collaboration among engineers. At [e2e.ti.com](http://e2e.ti.com), you can ask questions, share knowledge, explore ideas and help solve problems with fellow engineers.

**Design Support** *TI's Design Support* Quickly find helpful E2E forums along with design support tools and contact information for technical support.

### 8.2 Trademarks

NexFET, DualCool, E2E are trademarks of Texas Instruments.  
All other trademarks are the property of their respective owners.

### 8.3 Electrostatic Discharge Caution



These devices have limited built-in ESD protection. The leads should be shorted together or the device placed in conductive foam during storage or handling to prevent electrostatic damage to the MOS gates.

### 8.4 Glossary

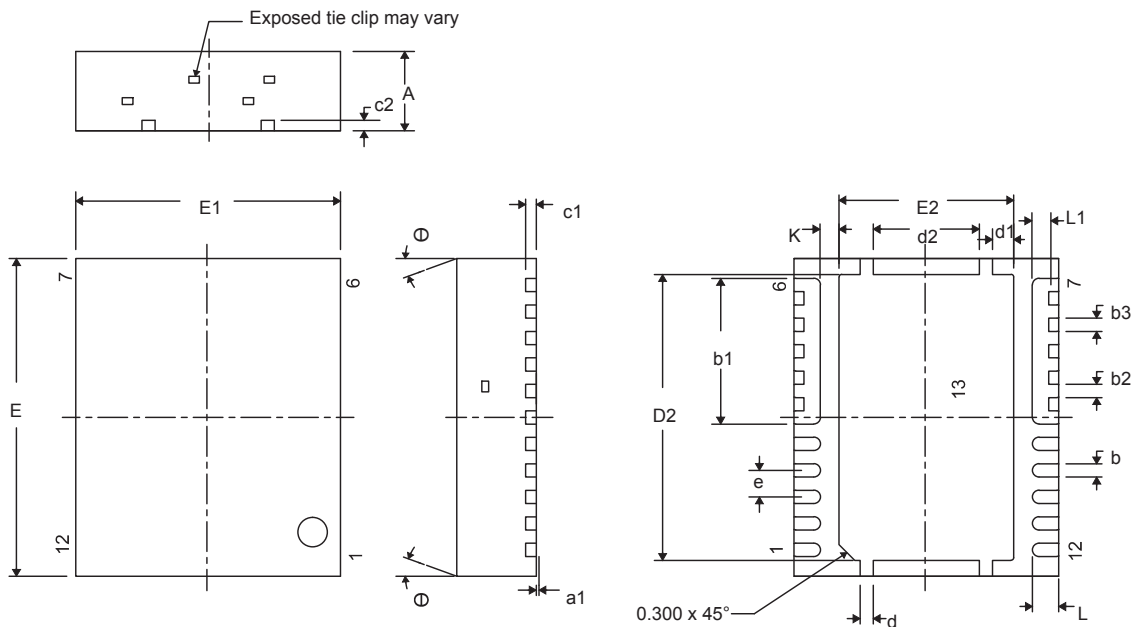
[SLYZ022](#) — *TI Glossary*.

This glossary lists and explains terms, acronyms, and definitions.

## 9 Mechanical, Packaging, and Orderable Information

The following pages include mechanical, packaging, and orderable information. This information is the most current data available for the designated devices. This data is subject to change without notice and revision of this document. For browser-based versions of this data sheet, refer to the left-hand navigation.

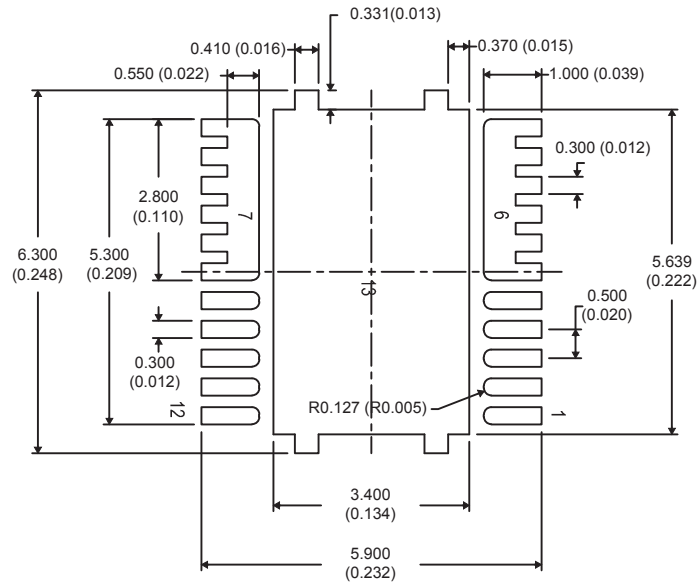
### 9.1 Mechanical Drawing



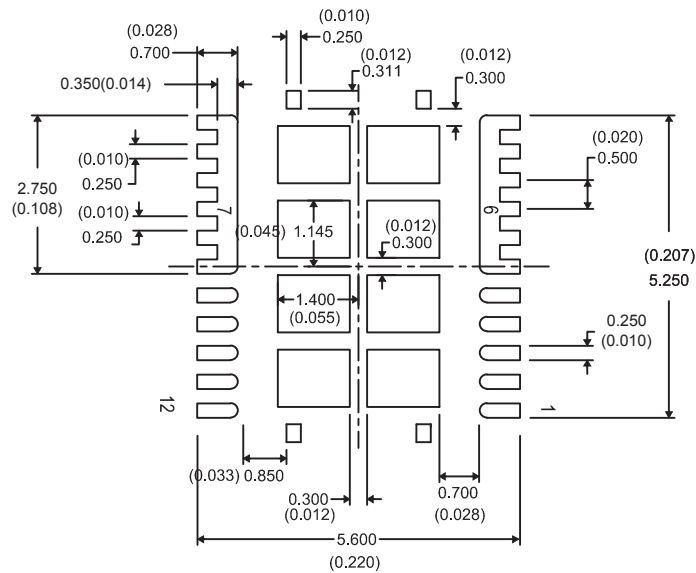
DIM	MILLIMETERS			INCHES		
	MIN	NOM	MAX	MIN	NOM	MAX
A	0.950	1.000	1.050	0.037	0.039	0.041
a1	0.000	0.000	0.050	0.000	0.000	0.002
b	0.200	0.250	0.320	0.008	0.010	0.013
b1	2.750 TYP			0.108 TYP		
b2	0.200	0.250	0.320	0.008	0.010	0.013
b3	0.250 TYP			0.010 TYP		
c1	0.150	0.200	0.250	0.006	0.008	0.010
c2	0.200	0.250	0.300	0.008	0.010	0.012
D2	5.300	5.400	5.500	0.209	0.213	0.217
d	0.200	0.250	0.300	0.008	0.010	0.012
d1	0.350	0.400	0.450	0.014	0.016	0.018
d2	1.900	2.000	2.100	0.075	0.079	0.083
E	5.900	6.000	6.100	0.232	0.236	0.240
E1	4.900	5.000	5.100	0.193	0.197	0.201
E2	3.200	3.300	3.400	0.126	0.130	0.134
e	0.500 TYP			0.020 TYP		
K	0.350 TYP			0.014 TYP		
L	0.400	0.500	0.600	0.016	0.020	0.024
L1	0.210	0.310	0.410	0.008	0.012	0.016
θ	0.00	—	—	0.00	—	—

**CSD95472Q5MC**

SLPS599 – FEBRUARY 2016

[www.ti.com](http://www.ti.com)**9.2 Recommended PCB Land Pattern**

1. Dimensions are in mm (inches).

**9.3 Recommended Stencil Opening**

1. Dimensions are in mm (inches).
2. Stencil thickness is 100  $\mu\text{m}$ .

**PACKAGING INFORMATION**

Orderable part number	Status (1)	Material type (2)	Package   Pins	Package qty   Carrier	RoHS (3)	Lead finish/ Ball material (4)	MSL rating/ Peak reflow (5)	Op temp (°C)	Part marking (6)
<a href="#">CSD95472Q5MC</a>	Active	Production	VSON-CLIP (DMC)   12	2500   LARGE T&R	ROHS Exempt	SN	Level-2-260C-1 YEAR	-55 to 150	95472MC
CSD95472Q5MC.A	Active	Production	VSON-CLIP (DMC)   12	2500   LARGE T&R	ROHS Exempt	SN	Level-2-260C-1 YEAR	-55 to 150	95472MC
<a href="#">CSD95472Q5MCT</a>	Active	Production	VSON-CLIP (DMC)   12	250   SMALL T&R	ROHS Exempt	SN	Level-2-260C-1 YEAR	-55 to 150	95472MC
CSD95472Q5MCT.A	Active	Production	VSON-CLIP (DMC)   12	250   SMALL T&R	ROHS Exempt	SN	Level-2-260C-1 YEAR	-55 to 150	95472MC

(1) **Status:** For more details on status, see our [product life cycle](#).

(2) **Material type:** When designated, preproduction parts are prototypes/experimental devices, and are not yet approved or released for full production. Testing and final process, including without limitation quality assurance, reliability performance testing, and/or process qualification, may not yet be complete, and this item is subject to further changes or possible discontinuation. If available for ordering, purchases will be subject to an additional waiver at checkout, and are intended for early internal evaluation purposes only. These items are sold without warranties of any kind.

(3) **RoHS values:** Yes, No, RoHS Exempt. See the [TI RoHS Statement](#) for additional information and value definition.

(4) **Lead finish/Ball material:** Parts may have multiple material finish options. Finish options are separated by a vertical ruled line. Lead finish/Ball material values may wrap to two lines if the finish value exceeds the maximum column width.

(5) **MSL rating/Peak reflow:** The moisture sensitivity level ratings and peak solder (reflow) temperatures. In the event that a part has multiple moisture sensitivity ratings, only the lowest level per JEDEC standards is shown. Refer to the shipping label for the actual reflow temperature that will be used to mount the part to the printed circuit board.

(6) **Part marking:** There may be an additional marking, which relates to the logo, the lot trace code information, or the environmental category of the part.

Multiple part markings will be inside parentheses. Only one part marking contained in parentheses and separated by a "~" will appear on a part. If a line is indented then it is a continuation of the previous line and the two combined represent the entire part marking for that device.

**Important Information and Disclaimer:** The information provided on this page represents TI's knowledge and belief as of the date that it is provided. TI bases its knowledge and belief on information provided by third parties, and makes no representation or warranty as to the accuracy of such information. Efforts are underway to better integrate information from third parties. TI has taken and continues to take reasonable steps to provide representative and accurate information but may not have conducted destructive testing or chemical analysis on incoming materials and chemicals. TI and TI suppliers consider certain information to be proprietary, and thus CAS numbers and other limited information may not be available for release.

In no event shall TI's liability arising out of such information exceed the total purchase price of the TI part(s) at issue in this document sold by TI to Customer on an annual basis.

## IMPORTANT NOTICE AND DISCLAIMER

TI PROVIDES TECHNICAL AND RELIABILITY DATA (INCLUDING DATASHEETS), DESIGN RESOURCES (INCLUDING REFERENCE DESIGNS), APPLICATION OR OTHER DESIGN ADVICE, WEB TOOLS, SAFETY INFORMATION, AND OTHER RESOURCES "AS IS" AND WITH ALL FAULTS, AND DISCLAIMS ALL WARRANTIES, EXPRESS AND IMPLIED, INCLUDING WITHOUT LIMITATION ANY IMPLIED WARRANTIES OF MERCHANTABILITY, FITNESS FOR A PARTICULAR PURPOSE OR NON-INFRINGEMENT OF THIRD PARTY INTELLECTUAL PROPERTY RIGHTS.

These resources are intended for skilled developers designing with TI products. You are solely responsible for (1) selecting the appropriate TI products for your application, (2) designing, validating and testing your application, and (3) ensuring your application meets applicable standards, and any other safety, security, regulatory or other requirements.

These resources are subject to change without notice. TI grants you permission to use these resources only for development of an application that uses the TI products described in the resource. Other reproduction and display of these resources is prohibited. No license is granted to any other TI intellectual property right or to any third party intellectual property right. TI disclaims responsibility for, and you fully indemnify TI and its representatives against any claims, damages, costs, losses, and liabilities arising out of your use of these resources.

TI's products are provided subject to [TI's Terms of Sale](#), [TI's General Quality Guidelines](#), or other applicable terms available either on [ti.com](#) or provided in conjunction with such TI products. TI's provision of these resources does not expand or otherwise alter TI's applicable warranties or warranty disclaimers for TI products. Unless TI explicitly designates a product as custom or customer-specified, TI products are standard, catalog, general purpose devices.

TI objects to and rejects any additional or different terms you may propose.

Copyright © 2026, Texas Instruments Incorporated

Last updated 10/2025

## OUR CERTIFICATE

DiGi provide top-quality products and perfect service for customer worldwide through standardization, technological innovation and continuous improvement. DiGi through third-party certification, we stricly control the quality of products and services. Welcome your RFQ to

Email: [Info@DiGi-Electronics.com](mailto:Info@DiGi-Electronics.com)



Tel: +00 852-30501935

RFQ Email: [Info@DiGi-Electronics.com](mailto:Info@DiGi-Electronics.com)

DiGi is a global authorized distributor of electronic components.