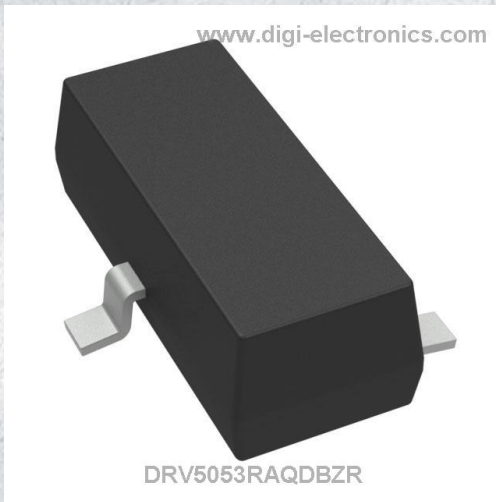


DRV5053RAQDBZR Datasheet



<https://www.DiGi-Electronics.com>

DiGi Electronics Part Number	DRV5053RAQDBZR-DG
Manufacturer	Texas Instruments
Manufacturer Product Number	DRV5053RAQDBZR
Description	SENSOR HALL ANALOG SOT23-3
Detailed Description	Hall Effect Sensor Single Axis SOT-23-3



Tel: +00 852-30501935

RFQ Email: Info@DiGi-Electronics.com

DiGi is a global authorized distributor of electronic components.

Purchase and inquiry

Manufacturer Product Number:

DRV5053RAQDBZR

Series:

-

Technology:

Hall Effect

Output Type:

Analog Voltage

Voltage - Supply:

2.5V ~ 38V

Current - Output (Max):

2.3mA

Bandwidth:

20kHz

Grade:

Automotive

Features:

Temperature Compensated

Mounting Type:

Surface Mount

Base Product Number:

DRV5053

Manufacturer:

Texas Instruments

Product Status:

Active

Axis:

Single

Sensing Range:

±18mT

Current - Supply (Max):

3.6mA

Resolution:

-

Operating Temperature:

-40°C ~ 125°C

Qualification:

AEC-Q100

Supplier Device Package:

SOT-23-3

Package / Case:

TO-236-3, SC-59, SOT-23-3

Environmental & Export classification

RoHS Status:

ROHS3 Compliant

REACH Status:

REACH Unaffected

HTSUS:

8542.39.0001

Moisture Sensitivity Level (MSL):

1 (Unlimited)

ECCN:

EAR99

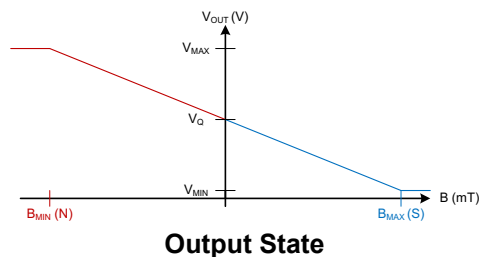
DRV5053 Analog-Bipolar Hall Effect Sensor

1 Features

- Linear output hall sensor
- Superior temperature stability
 - Sensitivity $\pm 10\%$ over temperature
- High sensitivity options:
 - -11 mV/mT (OA, see [Figure 17](#))
 - -23 mV/mT (PA)
 - -45 mV/mT (RA)
 - -90 mV/mT (VA)
 - $+23$ mV/mT (CA)
 - $+45$ mV/mT (EA)
- Supports a wide voltage range
 - 2.5 V to 38 V
 - No external regulator required
- Wide operating temperature range
 - $T_A = -40$ to 125°C (Q, see [Figure 17](#))
- Amplified output stage
 - 2.3-mA sink, 300- μA source
- Output voltage: 0.2 V to approximately 1.8 V
 - $B = 0$ mT, $\text{OUT} = 1$ V
- Fast power-on: 35 μs
- Small package and footprint
 - Surface mount 3-pin SOT-23 (DBZ)
 - 2.92 mm \times 2.37 mm
 - Through-hole 3-pin TO-92 (LPG)
 - 4.00 mm \times 3.15 mm
- **Protection features:**
 - Reverse supply protection (up to -22 V)
 - Supports up to 40-V load dump
 - Output short-circuit protection
 - Output current limitation

2 Applications

- Flow Meters
- Docking Adjustment
- Vibration Correction
- Damper Controls



3 Description

The DRV5053 device is a chopper-stabilized Hall IC that offers a magnetic sensing solution with superior sensitivity stability over temperature and integrated protection features.

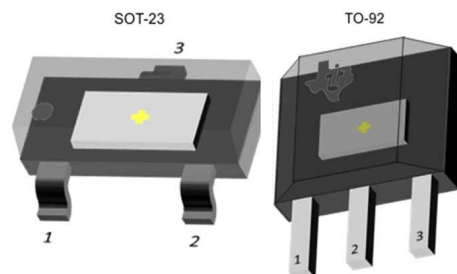
The 0-V to 2-V analog output responds linearly to the applied magnetic flux density, and distinguishes the polarity of magnetic field direction. A wide operating voltage range from 2.5 V to 38 V with reverse polarity protection up to -22 V makes the device suitable for a wide range of industrial and consumer applications.

Internal protection functions are provided for reverse supply conditions, load dump, and output short circuit or overcurrent.

Package Information⁽¹⁾

PART NUMBER	PACKAGE	BODY SIZE (NOM)
DRV5053	SOT-23 (3)	2.92 mm \times 1.30 mm
	TO-92 (3)	4.00 mm \times 3.15 mm

(1) For all available packages, see the orderable addendum at the end of the data sheet.



Device Packages



Table of Contents

1 Features	1	7.2 Functional Block Diagram.....	8
2 Applications	1	7.3 Feature Description.....	9
3 Description	1	7.4 Device Functional Modes.....	11
4 Revision History	2	8 Application and Implementation	12
5 Pin Configuration and Functions	3	8.1 Application Information.....	12
6 Specifications	4	8.2 Typical Applications.....	12
6.1 Absolute Maximum Ratings.....	4	8.3 Power Supply Recommendations.....	14
6.2 ESD Ratings.....	4	9 Device and Documentation Support	15
6.3 Recommended Operating Conditions.....	4	9.1 Device Support.....	15
6.4 Thermal Information.....	4	9.2 Receiving Notification of Documentation Updates.....	15
6.5 Electrical Characteristics.....	5	9.3 Support Resources.....	15
6.6 Switching Characteristics.....	5	9.4 Trademarks.....	16
6.7 Magnetic Characteristics.....	5	9.5 Electrostatic Discharge Caution.....	16
6.8 Typical Characteristics.....	7	9.6 Glossary.....	16
7 Detailed Description	8	10 Mechanical, Packaging, and Orderable Information	16
7.1 Overview.....	8		

4 Revision History

Changes from Revision C (December 2015) to Revision D (February 2023) Page

• Updated the numbering format for tables, figures, and cross-references throughout the document	1
• Changed the <i>Device Information</i> table title to <i>Package Information</i>	1
• Moved the <i>Power Supply Recommendations</i> section to the <i>Application and Implementation</i> section.....	14

Changes from Revision B (September 2014) to Revision C (December 2015) Page

• Corrected body size of SOT-23 package and SIP package name to TO-92	1
• Added B _{MAX} to <i>Absolute Maximum Ratings</i>	4
• Removed table note from junction temperature	4
• Updated the typical value for B _N and V _N for each version.....	5
• Updated Figure 6-6	7
• Updated the <i>Functional Block Diagram</i>	8
• Updated Output Stage	11
• Updated package tape and reel options for M and blank	15

Changes from Revision A (August 2014) to Revision B (September 2014) Page

• Updated high sensitivity options	1
• Updated the sensitivity device values and typicals. Updated typical and max values for DRV5053VA: –80 mV/mT	5
• Updated <i>Typical Characteristics</i> graphs	7

Changes from Revision * (May 2014) to Revision A (August 2014) Page

• Updated device status to production data	1
• Changed the maximum T _J value from 175°C to 150°C	4
• Updated <i>Magnetic Characteristics</i> table.	5

5 Pin Configuration and Functions

For additional configuration information, see [Device Markings](#) and [Mechanical, Packaging, and Orderable Information](#).

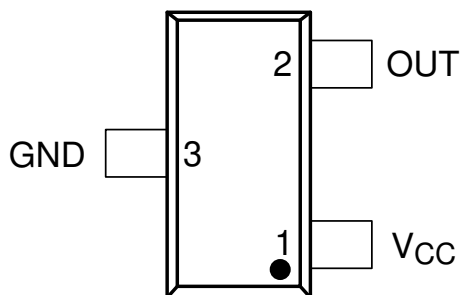


Figure 5-1. DBZ Package 3-Pin SOT-23 Top View

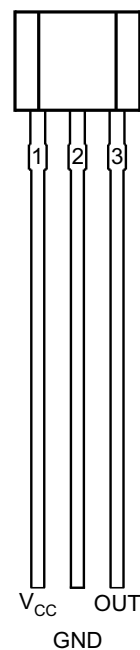


Figure 5-2. LPG Package 3-Pin TO-92 Top View

Table 5-1. Pin Functions

NAME	PIN		TYPE	DESCRIPTION
	DBZ	LPG		
GND	3	2	GND	Ground pin
V _{CC}	1	1	Power	2.5 V to 38 V power supply. Bypass this pin to the GND pin with a 0.01- μ F (minimum) ceramic capacitor rated for V _{CC} .
OUT	2	3	Output	Hall sensor analog output. 1 V output corresponds to B = 0 mT

DRV5053

SLIS153D – MAY 2014 – REVISED FEBRUARY 2023

6 Specifications**6.1 Absolute Maximum Ratings**over operating free-air temperature range (unless otherwise noted)⁽¹⁾

		MIN	MAX	UNIT
Power supply voltage	V _{CC}	-22 ⁽²⁾	40	V
	Voltage ramp rate (V _{CC}), V _{CC} < 5 V	Unlimited		V/μs
	Voltage ramp rate (V _{CC}), V _{CC} > 5 V	0	2	
Output pin voltage		-0.5	2.5	V
Output pin reverse current during reverse supply condition		0	-20	mA
Magnetic flux density, B _{MAX}		Unlimited		
Operating junction temperature, T _J		-40	150	°C
Storage temperature, T _{stg}		-65	150	°C

- (1) Operation outside the *Absolute Maximum Ratings* may cause permanent device damage. *Absolute Maximum Ratings* do not imply functional operation of the device at these or any other conditions beyond those listed under *Recommended Operating Conditions*. If used outside the *Recommended Operating Conditions* but within the *Absolute Maximum Ratings*, the device may not be fully functional, and this may affect device reliability, functionality, performance, and shorten the device lifetime.
- (2) Specified by design. Only tested to -20 V.

6.2 ESD Ratings

			VALUE	UNIT
V _(ESD)	Electrostatic discharge	Human body model (HBM), per ANSI/ESDA/JEDEC JS-001, all pins ⁽¹⁾	±2500	V
		Charged device model (CDM), per ANSI/ESDA/JEDEC JS-002, all pins ⁽²⁾	±500	

- (1) JEDEC document JEP155 states that 500-V HBM allows safe manufacturing with a standard ESD control process.
- (2) JEDEC document JEP157 states that 250-V CDM allows safe manufacturing with a standard ESD control process.

6.3 Recommended Operating Conditions

over operating free-air temperature range (unless otherwise noted)

		MIN	MAX	UNIT
V _{CC}	Power supply voltage	2.5	38	V
V _{OUT}	Output pin voltage (OUT)	0	2	V
I _{SOURCE}	Output pin current source (OUT)	0	300	μA
I _{SINK}	Output pin current sink (OUT)	0	2.3	mA
T _A	Operating ambient temperature	-40	125	°C

6.4 Thermal Information

THERMAL METRIC ⁽¹⁾		DRV5053		UNIT
		DBZ (SOT-23)	LPG (TO-92)	
		3 PINS	3 PINS	
R _{θJA}	Junction-to-ambient thermal resistance	333.2	180	°C/W
R _{θJC(top)}	Junction-to-case (top) thermal resistance	99.9	98.6	°C/W
R _{θJB}	Junction-to-board thermal resistance	66.9	154.9	°C/W
ψ _{JT}	Junction-to-top characterization parameter	4.9	40	°C/W
ψ _{JB}	Junction-to-board characterization parameter	65.2	154.9	°C/W

- (1) For more information about traditional and new thermal metrics, see the *Semiconductor and IC Package Thermal Metrics* application report, [SPRA953](#).

6.5 Electrical Characteristics

over operating free-air temperature range (unless otherwise noted)

PARAMETER		TEST CONDITIONS	MIN	TYP	MAX	UNIT
POWER SUPPLIES (V_{CC})						
V _{CC}	V _{CC} operating voltage		2.5		38	V
I _{CC}	Operating supply current	V _{CC} = 2.5 V to 38 V, T _A = 25°C		2.7		mA
		V _{CC} = 2.5 V to 38 V, T _A = 125°C		3	3.6	
t _{on}	Power-on time			35	50	μs
PROTECTION CIRCUITS						
V _{CCR}	Reverse supply voltage		-22			V
I _{OCPSOURCE}	Overcurrent protection level	Sourcing current		300		μA
I _{OCPSINK}	Overcurrent protection level	Sinking current		2.3		mA

6.6 Switching Characteristics

over operating free-air temperature range (unless otherwise noted)

PARAMETER		TEST CONDITIONS	MIN	TYP	MAX	UNIT
ANALOG OUTPUT (OUT)						
t _d	Output delay time	T _A = 25°C		13	25	μs

6.7 Magnetic Characteristics

over operating free-air temperature range (unless otherwise noted)

PARAMETER		TEST CONDITIONS	MIN	TYP	MAX	UNIT ⁽²⁾
V _Q	Quiescent output	B = 0 mT T _A = -40°C to 125°C	0.9	1.02	1.15	V
f _{BW}	Bandwidth ⁽³⁾		20			kHz
B _N	Input-referred noise ⁽¹⁾	C _{OUT} = 50 pF T _A = -40°C to 125°C	0.40	0.49	0.79	mT _{pp}
Le	Linearity ⁽⁴⁾	-B _{SAT} < B < B _{SAT}		1%		
V _{OUT MIN}	Output saturation voltage (minimum)	B < -B _{SAT}			0.2	V
V _{OUT MAX}	Output saturation voltage (maximum)	B > B _{SAT}	1.8			V
DRV5053OA: -11 mV/mT						
S	Sensitivity	V _{CC} = 3.3 V T _A ≈ -40°C to 125°C	-17.5	-11	-5	mV/mT
V _N	Output-referred noise	V _{CC} = 3.3 V; R _{OUT} = 10 kΩ; C _{OUT} = 50 pF T _A ≈ -40°C to 125°C		5		mV _{pp}
B _{SAT}	Input saturation field	V _{CC} = 3.3 V T _A ≈ -40°C to 125°C		73		mT
DRV5053PA: -23 mV/mT						
S	Sensitivity	V _{CC} = 3.3 V T _A ≈ -40°C to 125°C	-35	-23	-10	mV/mT
V _N	Output-referred noise	V _{CC} = 3.3 V; R _{OUT} = 10 kΩ; C _{OUT} = 50 pF T _A ≈ -40°C to 125°C		11		mV _{pp}
B _{SAT}	Input saturation field	V _{CC} = 3.3 V T _A ≈ -40°C to 125°C		35		mT

DRV5053

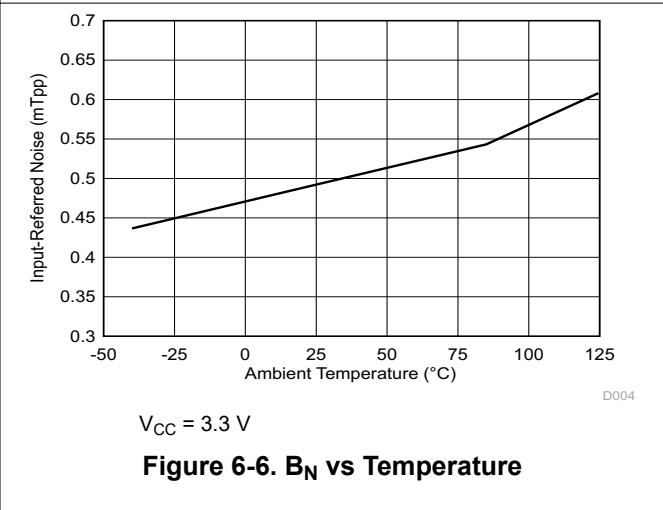
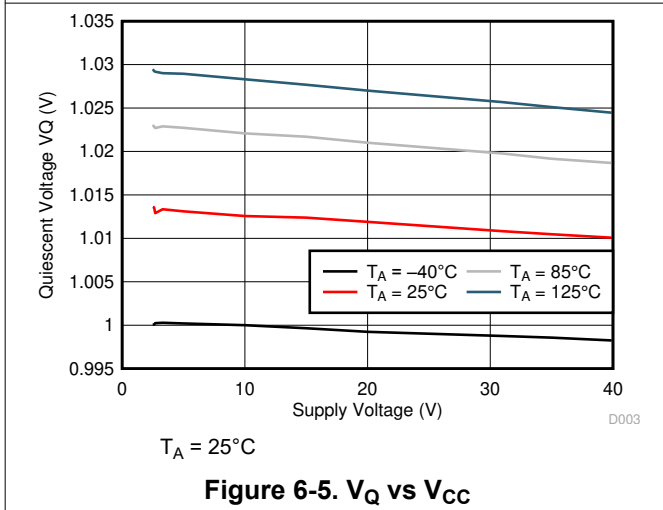
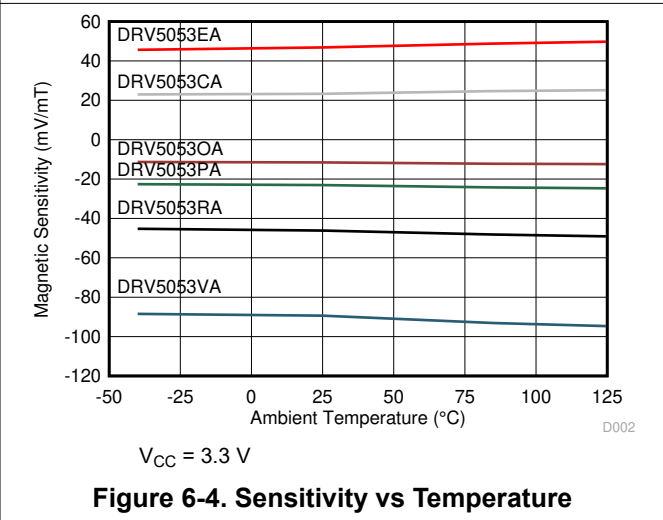
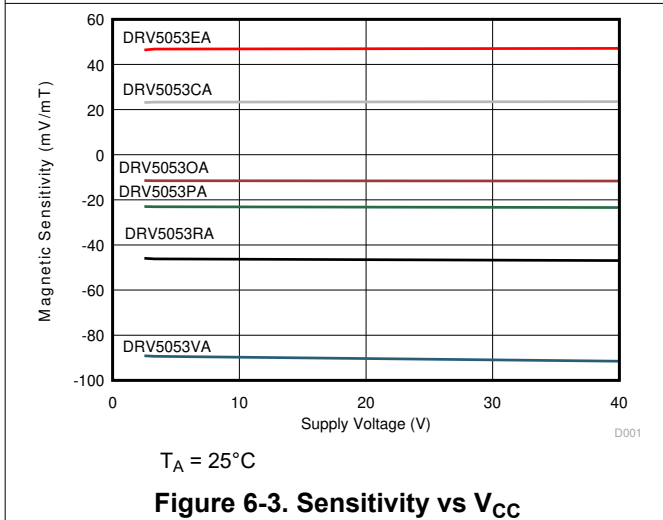
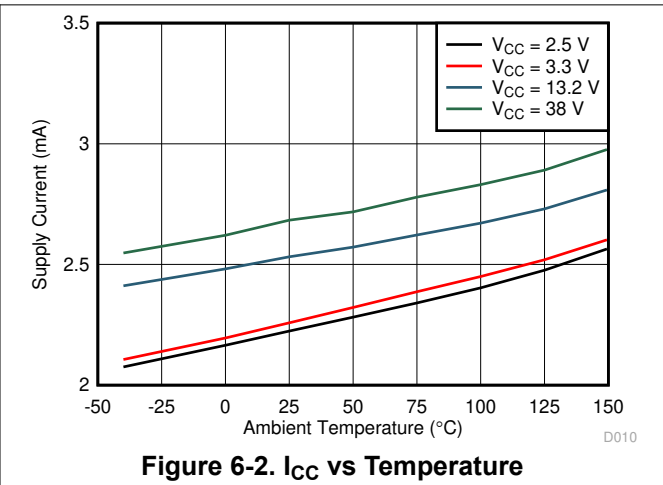
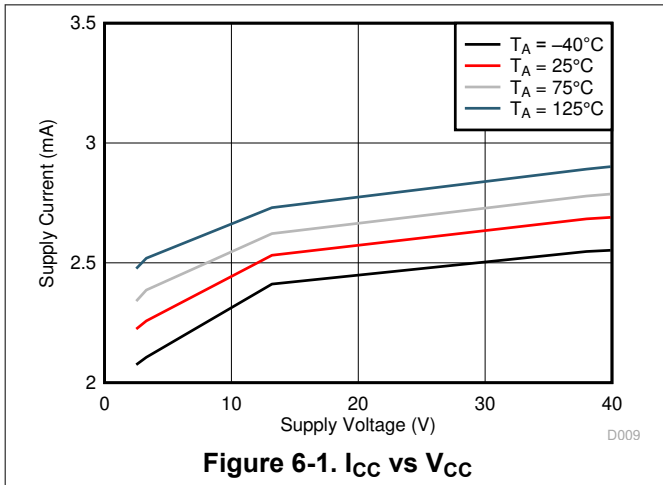
SLIS153D – MAY 2014 – REVISED FEBRUARY 2023

over operating free-air temperature range (unless otherwise noted)

PARAMETER		TEST CONDITIONS	MIN	TYP	MAX	UNIT ⁽²⁾
DRV5053RA: –45 mV/mT						
S	Sensitivity	$V_{CC} = 3.3\text{ V}$ $T_A \approx -40^\circ\text{C to } 125^\circ\text{C}$	–70	–45	–20	mV/mT
V_N	Output-referred noise	$V_{CC} = 3.3\text{ V}; R_{OUT} = 10\text{ k}\Omega;$ $C_{OUT} = 50\text{ pF}$ $T_A \approx -40^\circ\text{C to } 125^\circ\text{C}$		22		mV _{pp}
B_{SAT}	Input saturation field	$V_{CC} = 3.3\text{ V}$ $T_A \approx -40^\circ\text{C to } 125^\circ\text{C}$		18		mT
DRV5053VA: –90 mV/mT						
S	Sensitivity	$V_{CC} = 3.3\text{ V}$ $T_A \approx -40^\circ\text{C to } 125^\circ\text{C}$	–140	–90	–45	mV/mT
V_N	Output-referred noise	$V_{CC} = 3.3\text{ V}; R_{OUT} = 10\text{ k}\Omega;$ $C_{OUT} = 50\text{ pF}$ $T_A \approx -40^\circ\text{C to } 125^\circ\text{C}$		44		mV _{pp}
B_{SAT}	Input saturation field	$V_{CC} = 3.3\text{ V}$ $T_A \approx -40^\circ\text{C to } 125^\circ\text{C}$		9		mT
DRV5053CA: 23 mV/mT						
S	Sensitivity	$V_{CC} = 3.3\text{ V}$ $T_A \approx -40^\circ\text{C to } 125^\circ\text{C}$	10	23	35	mV/mT
V_N	Output-referred noise	$V_{CC} = 3.3\text{ V}; R_{OUT} = 10\text{ k}\Omega;$ $C_{OUT} = 50\text{ pF}$ $T_A \approx -40^\circ\text{C to } 125^\circ\text{C}$		11		mV _{pp}
B_{SAT}	Input saturation field	$V_{CC} = 3.3\text{ V}$ $T_A \approx -40^\circ\text{C to } 125^\circ\text{C}$		35		mT
DRV5053EA: 45 mV/mT						
S	Sensitivity	$V_{CC} = 3.3\text{ V}$ $T_A \approx -40^\circ\text{C to } 125^\circ\text{C}$	20	45	70	mV/mT
V_N	Output-referred noise	$V_{CC} = 3.3\text{ V}; R_{OUT} = 10\text{ k}\Omega;$ $C_{OUT} = 50\text{ pF}$ $T_A \approx -40^\circ\text{C to } 125^\circ\text{C}$		22		mV _{pp}
B_{SAT}	Input saturation field	$V_{CC} = 3.3\text{ V}$ $T_A \approx -40^\circ\text{C to } 125^\circ\text{C}$		18		mT

- (1) Not tested in production; limits are based on characterization data.
- (2) 1 mT = 10 Gauss
- (3) Bandwidth describes the fastest changing magnetic field that can be detected and translated to the output.
- (4) Linearity describes the change in sensitivity across the B-range. The sensitivity near B_{SAT} is typically within 1% of the sensitivity near $B = 0\text{ mT}$.

6.8 Typical Characteristics



DRV5053

SLIS153D – MAY 2014 – REVISED FEBRUARY 2023

7 Detailed Description**7.1 Overview**

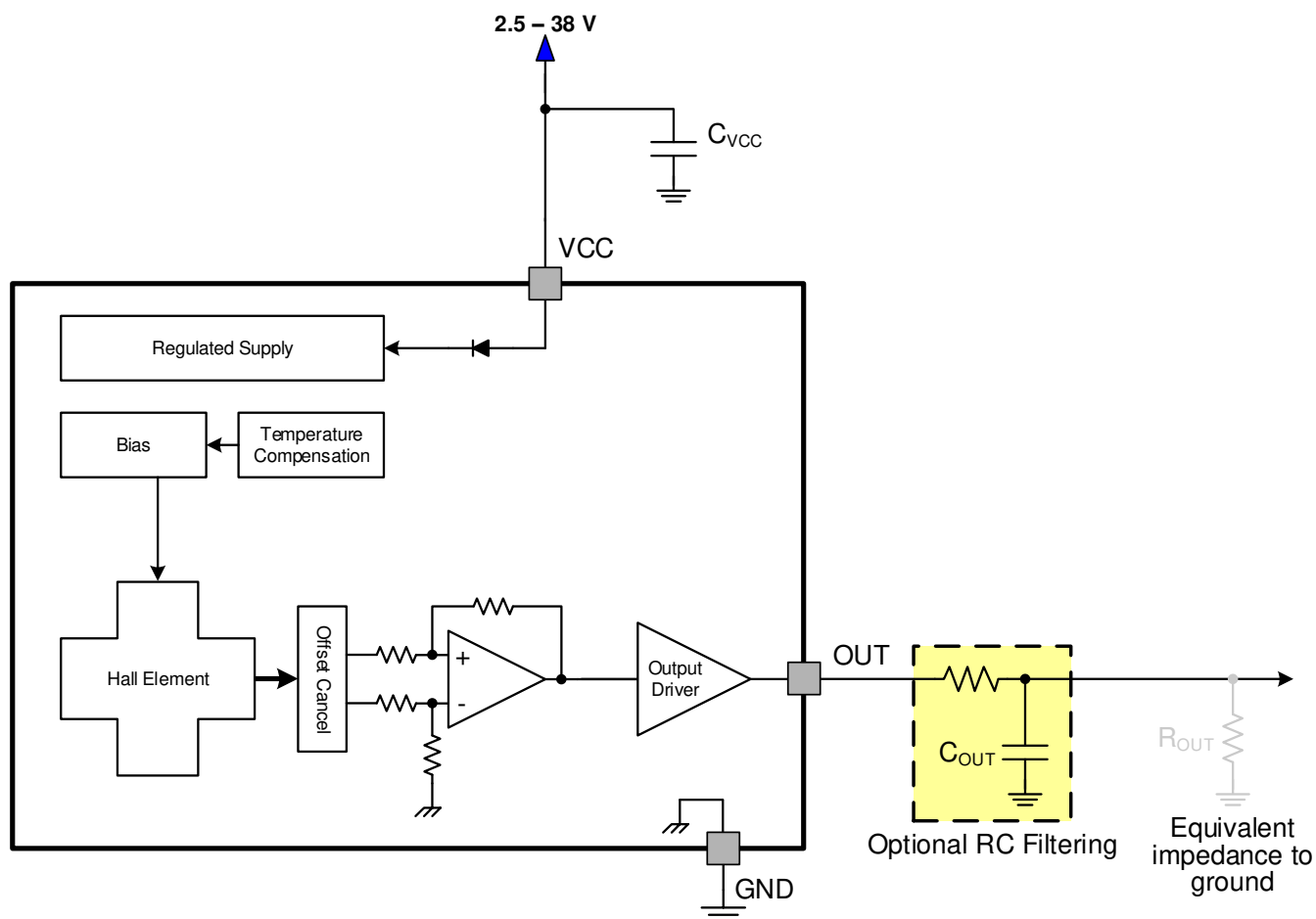
The DRV5053 device is a chopper-stabilized Hall sensor with an analog output for magnetic sensing applications. The DRV5053 device can be powered with a supply voltage between 2.5 V and 38 V, and will survive -22 V reverse battery conditions continuously. Note that the DRV5053 device will not be operating when approximately -22 V to 2.4 V is applied to V_{CC} (with respect to GND). In addition, the device can withstand supply voltages up to 40 V for transient durations.

The output voltage is dependent on the magnetic field perpendicular to the package. The absence of a magnetic field will result in $OUT = 1$ V. A magnetic field will cause the output voltage to change linearly with the magnetic field.

The field polarity is defined as follows: a **south pole** near the marked side of the package is a positive magnetic field. A **north pole** near the marked side of the package is a negative magnetic field.

For devices with a negative sensitivity (that is, DRV5053RA: -40 mV/mT), a **south pole** will cause the output voltage to drop below 1 V, and a north pole will cause the output to rise above 1 V.

For devices with a positive sensitivity (that is, DRV5053EA: $+40$ mV/mT), a **south pole** will cause the output voltage to rise above 1 V, and a north pole will cause the output to drop below 1 V.

7.2 Functional Block Diagram

7.3 Feature Description

7.3.1 Field Direction Definition

Figure 7-1 shows the positive magnetic field defined as a south pole near the marked side of the package.

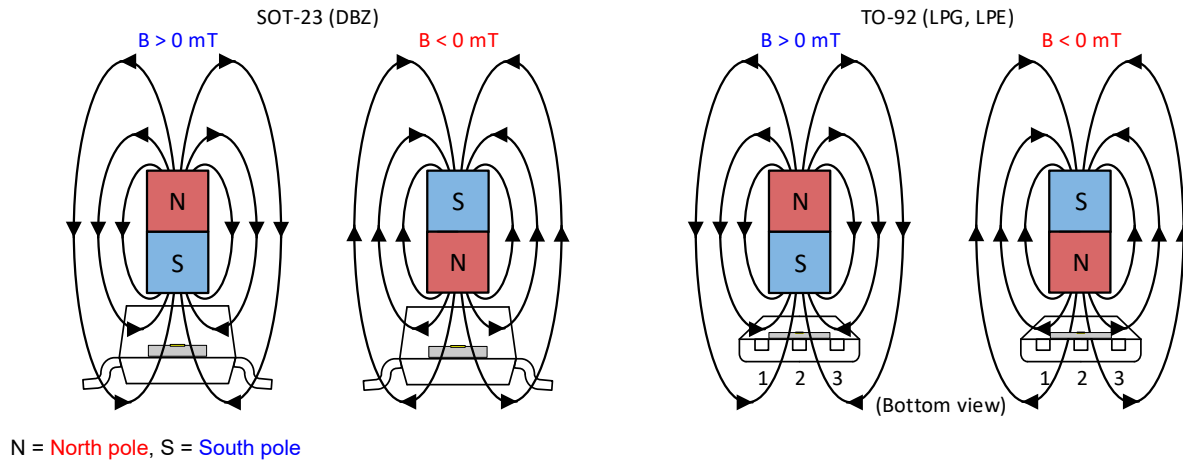


Figure 7-1. Field Direction Definition

7.3.2 Device Output

The DRV5053 device output is defined below for negative sensitivity (that is, -45 mV/mT , RA) and positive sensitivity (that is, $+45 \text{ mV/mT}$, EA):

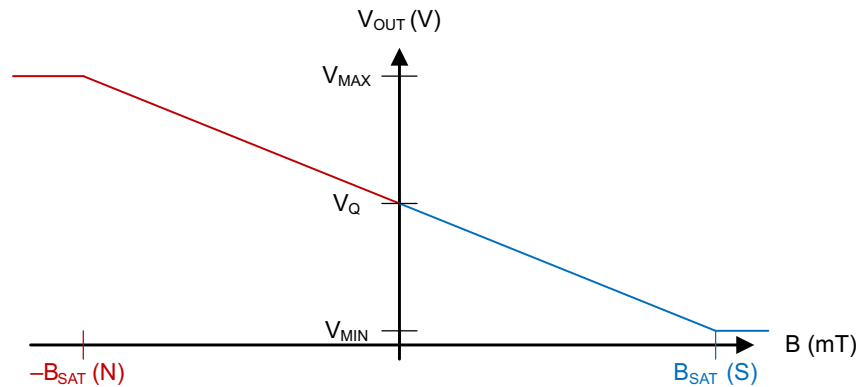


Figure 7-2. DRV5053 – Negative Sensitivity

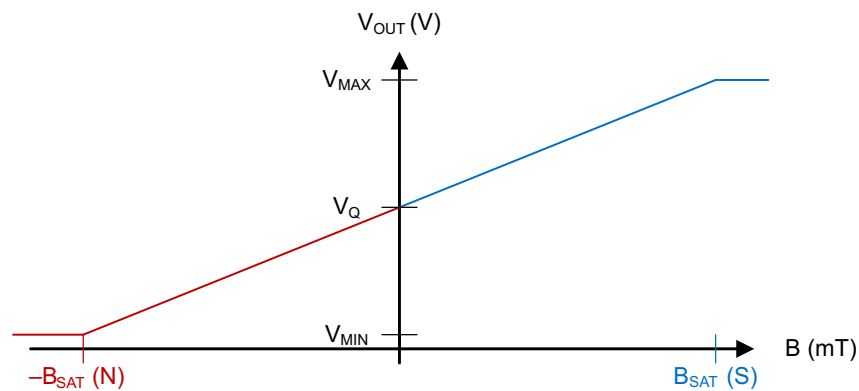


Figure 7-3. DRV5053 – Positive Sensitivity

DRV5053

SLIS153D – MAY 2014 – REVISED FEBRUARY 2023

7.3.3 Power-On Time

After applying V_{CC} to the DRV5053 device, t_{on} must elapse before OUT is valid. Figure 7-4 shows Case 1 and Figure 7-5 shows Case 2. The output is defined assuming a negative sensitivity device and a constant magnetic field $-B_{SAT} < B < B_{SAT}$.

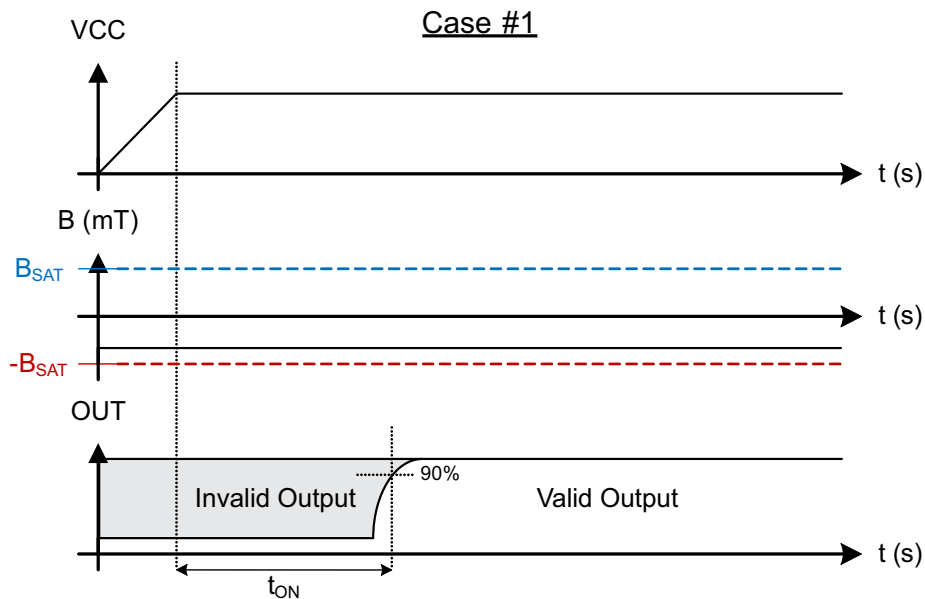


Figure 7-4. Case 1: Power On When $B < 0$, North

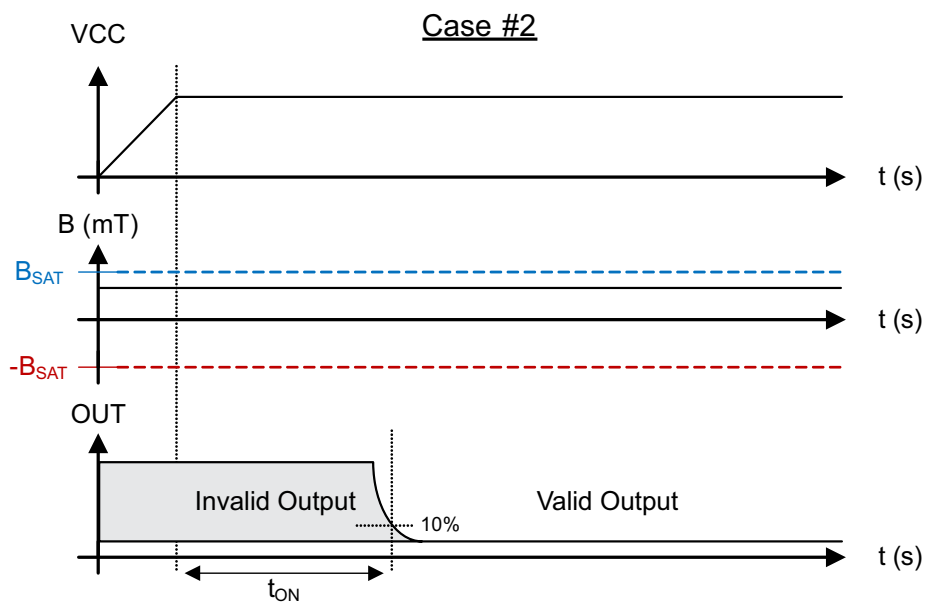


Figure 7-5. Case 2: Power On When $B > 0$, South

7.3.4 Output Stage

The DRV5053 output stage is capable of up to 300- μ A of current source or 2.3-mA sink. For proper operation, ensure that equivalent output load $R_{OUT} > 10\text{ k}\Omega$.

The capacitive load directly present on the OUT pin should be less than 10 nF to ensure the internal operational amplifier is stable. If an external RC filter is added to reduce noise, it is acceptable to use a resistor $\geq 200\ \Omega$ with a capacitor $\leq 0.1\ \mu\text{F}$. For an application example, see [Filtered Typical Application](#).

7.3.5 Protection Circuits

An analog current limit circuit limits the current through the output driver. The driver current will be clamped to I_{OCP} .

7.3.5.1 Overcurrent Protection (OCP)

An analog current-limit circuit limits the current through the FET. The driver current is clamped to I_{OCP} . During this clamping, the $r_{DS(on)}$ of the output FET is increased from the nominal value.

7.3.5.2 Load Dump Protection

The DRV5053 device operates at DC V_{CC} conditions up to 38 V nominally, and can additionally withstand $V_{CC} = 40\text{ V}$. No current-limiting series resistor is required for this protection.

7.3.5.3 Reverse Supply Protection

The DRV5053 device is protected in the event that the V_{CC} pin and the GND pin are reversed (up to -22 V).

Note

In a reverse supply condition, the OUT pin reverse-current must not exceed the ratings specified in the [Absolute Maximum Ratings](#).

FAULT	CONDITION	DEVICE	DESCRIPTION	RECOVERY
FET overload (OCP)	$I_{SINK} \geq I_{OCP}$	Operating	Output current is clamped to I_{OCP}	$I_O < I_{OCP}$
Load Dump	$38\text{ V} < V_{CC} < 40\text{ V}$	Operating	Device will operate for a transient duration	$V_{CC} \leq 38\text{ V}$
Reverse Supply	$-22\text{ V} < V_{CC} < 0\text{ V}$	Disabled	Device will survive this condition	$V_{CC} \geq 2.5\text{ V}$

7.4 Device Functional Modes

The DRV5053 device is active only when V_{CC} is between 2.5 V and 38 V.

When a reverse supply condition exists, the device is inactive.

DRV5053

SLIS153D – MAY 2014 – REVISED FEBRUARY 2023

8 Application and Implementation

Note

Information in the following applications sections is not part of the TI component specification, and TI does not warrant its accuracy or completeness. TI's customers are responsible for determining suitability of components for their purposes, as well as validating and testing their design implementation to confirm system functionality.

8.1 Application Information

The DRV5053 device is used in magnetic-field sensing applications.

8.2 Typical Applications

8.2.1 Typical Application With No Filter

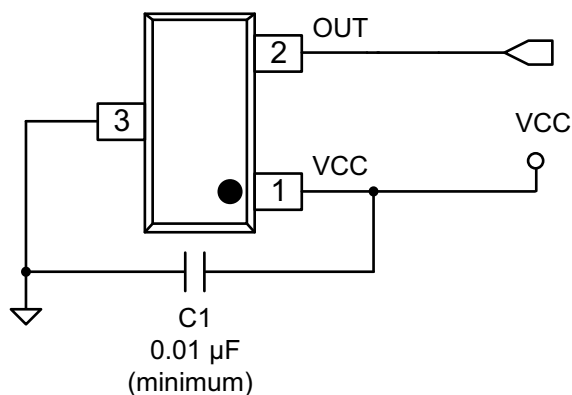


Figure 8-1. Typical Application Schematic – No Filter

8.2.1.1 Design Requirements

For this design example, use the parameters listed in [Table 8-1](#) as the input parameters.

Table 8-1. Design Parameters

DESIGN PARAMETER	REFERENCE	EXAMPLE VALUE
System bandwidth	f_{BW}	15 kHz

8.2.1.2 Detailed Design Procedure

The DRV5053 has internal filtering that limits the bandwidth to at least 20 kHz. For this application no external components are required other than the C1 bypass capacitor, which is 0.01 μ F minimum. If the analog output OUT is tied to a microcontroller ADC input, the equivalent load must be $R > 10 \text{ k}\Omega$ and $C < 10 \text{ nF}$.

Table 8-2. External Components

COMPONENT	PIN 1	PIN 2	RECOMMENDED
C1	V _{CC}	GND	A 0.01- μ F (minimum) ceramic capacitor rated for V _{CC}

8.2.1.3 Application Curve

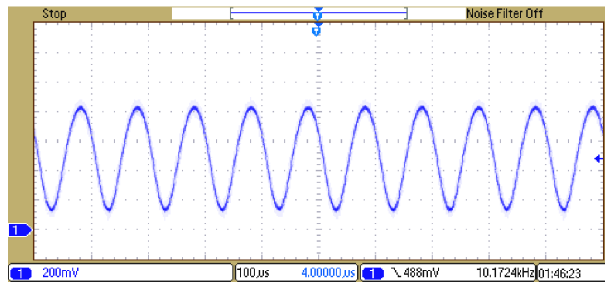


Figure 8-2. 10-kHz Switching Magnetic Field

8.2.2 Filtered Typical Application

For lower noise on the analog output OUT, additional RC filtering can be added to further reduce the bandwidth.

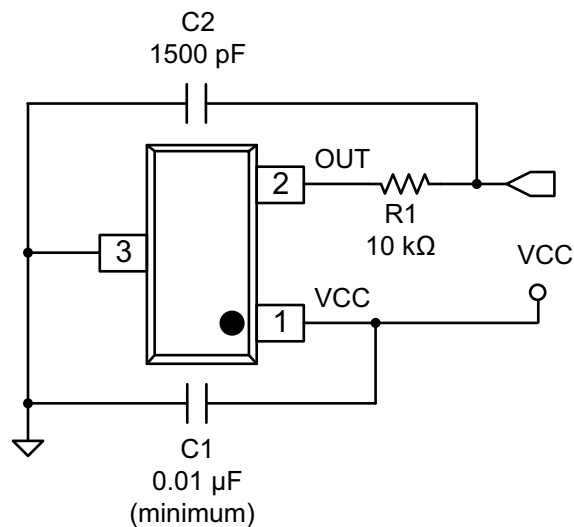


Figure 8-3. Filtered Typical Application Schematic

8.2.2.1 Design Requirements

For this design example, use the parameters listed in [Table 8-3](#) as the input parameters.

Table 8-3. Design Parameters

DESIGN PARAMETER	REFERENCE	EXAMPLE VALUE
System bandwidth	f_{BW}	5 kHz

DRV5053

SLIS153D – MAY 2014 – REVISED FEBRUARY 2023

8.2.2.2 Detailed Design Procedure

In this example we will add an external RC filter in order to reduce the output bandwidth.

In order to preserve the signal at the frequencies of interest, we will conservatively select a low-pass filter bandwidth (–3-dB point) at twice the system bandwidth (10 kHz).

$$10 \text{ kHz} < \frac{1}{2\pi \times R_1 \times C_2} \quad (1)$$

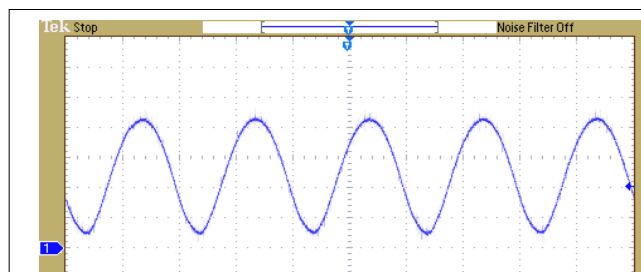
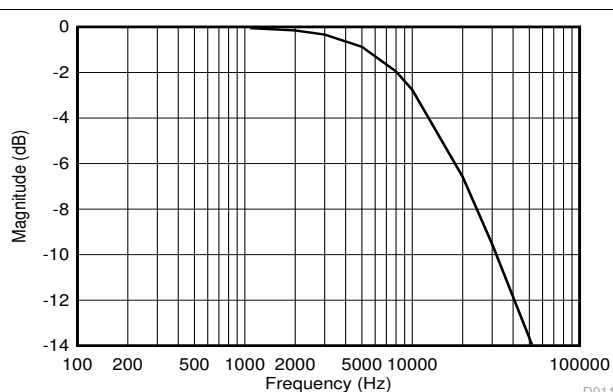
If we guess $R_1 = 10 \text{ k}\Omega$, then $C_2 < 1590 \text{ pF}$. So we select $C_2 = 1500 \text{ pF}$.

8.2.2.2.1 Typical Noise Versus Cutoff Frequency

RC filters are an effective way to reduce the noise present on OUT. The following shows typical noise measurements for different cutoff frequencies using the DRV5053VA.

Table 8-4. DRV5053VA Typical Noise Data

R (Ω)	C (μF)	f_{CUTOFF} (kHz)	NOISE (mVpp)
163	0.1	9.8	30.4
349	0.1	4.6	22.8
750	0.1	2.1	15.2
1505	0.1	1.1	9.7
3322	0.1	0.5	5.3
7510	0.1	0.2	2.5

8.2.2.3 Application Curves**Figure 8-4. 5-kHz Switching Magnetic Field****Figure 8-5. Low-Pass Filtering****8.3 Power Supply Recommendations**

The DRV5053 device is designed to operate from an input voltage supply (VM) range between 2.5 V and 38 V. A 0.01- μF (minimum) ceramic capacitor rated for V_{CC} must be placed as close to the DRV5053 device as possible.

9 Device and Documentation Support

9.1 Device Support

9.1.1 Device Nomenclature

Figure 9-1 shows a legend for reading the complete device name for the DRV5053 device.

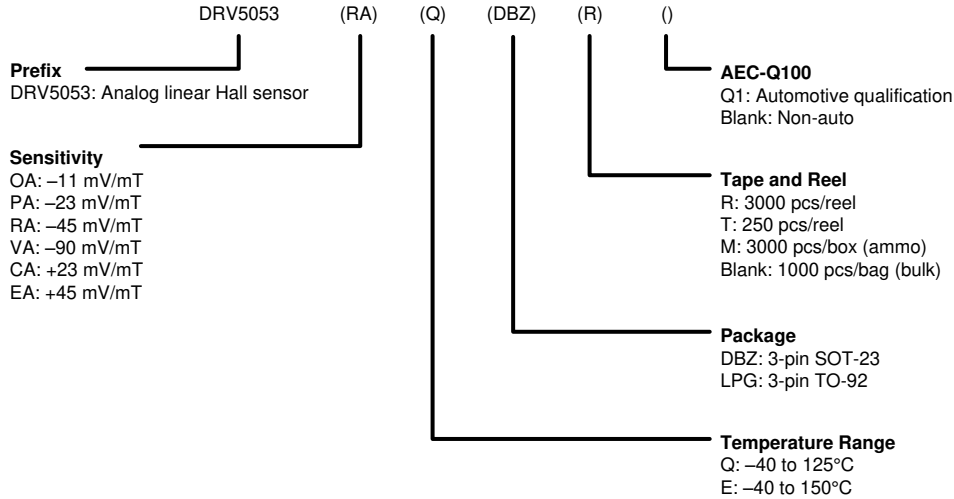


Figure 9-1. Device Nomenclature

9.1.2 Device Markings

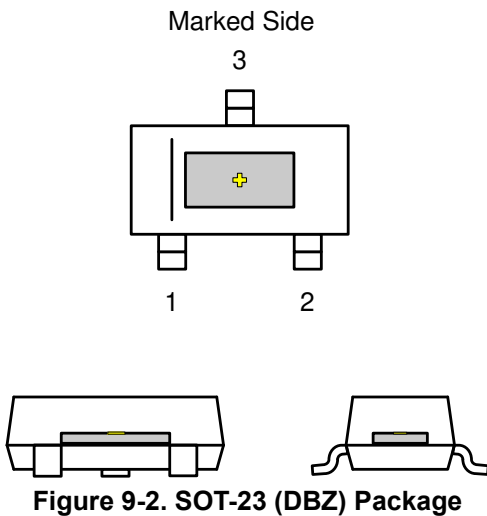


Figure 9-2. SOT-23 (DBZ) Package

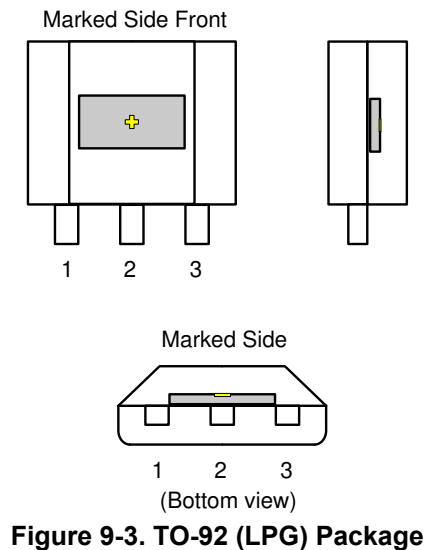


Figure 9-3. TO-92 (LPG) Package

9.2 Receiving Notification of Documentation Updates

To receive notification of documentation updates, navigate to the device product folder on ti.com. Click on *Subscribe to updates* to register and receive a weekly digest of any product information that has changed. For change details, review the revision history included in any revised document.

9.3 Support Resources

[TI E2E™ support forums](#) are an engineer's go-to source for fast, verified answers and design help — straight from the experts. Search existing answers or ask your own question to get the quick design help you need.

DRV5053

SLIS153D – MAY 2014 – REVISED FEBRUARY 2023

Linked content is provided "AS IS" by the respective contributors. They do not constitute TI specifications and do not necessarily reflect TI's views; see TI's [Terms of Use](#).

9.4 Trademarks

TI E2E™ is a trademark of Texas Instruments.

All trademarks are the property of their respective owners.

9.5 Electrostatic Discharge Caution

This integrated circuit can be damaged by ESD. Texas Instruments recommends that all integrated circuits be handled with appropriate precautions. Failure to observe proper handling and installation procedures can cause damage.

ESD damage can range from subtle performance degradation to complete device failure. Precision integrated circuits may be more susceptible to damage because very small parametric changes could cause the device not to meet its published specifications.

9.6 Glossary

[TI Glossary](#) This glossary lists and explains terms, acronyms, and definitions.

10 Mechanical, Packaging, and Orderable Information

The following pages include mechanical, packaging, and orderable information. This information is the most current data available for the designated devices. This data is subject to change without notice and revision of this document. For browser-based versions of this data sheet, refer to the left-hand navigation.

PACKAGING INFORMATION

Orderable part number	Status (1)	Material type (2)	Package Pins	Package qty Carrier	RoHS (3)	Lead finish/ Ball material (4)	MSL rating/ Peak reflow (5)	Op temp (°C)	Part marking (6)
DRV5053CAQDBZR	Active	Production	SOT-23 (DBZ) 3	3000 LARGE T&R	Yes	NIPDAUAG SN	Level-1-260C-UNLIM	-40 to 125	(+ALCA, 1LX2)
DRV5053CAQDBZR.A	Active	Production	SOT-23 (DBZ) 3	3000 LARGE T&R	Yes	SN	Level-1-260C-UNLIM	-40 to 125	(+ALCA, 1LX2)
DRV5053CAQDBZT	Obsolete	Production	SOT-23 (DBZ) 3	-	-	Call TI	Call TI	-40 to 125	(+ALCA, 1LX2)
DRV5053CAQLPG	Active	Production	TO-92 (LPG) 3	1000 BULK	Yes	SN	N/A for Pkg Type	-40 to 125	+ALCA
DRV5053CAQLPG.A	Active	Production	TO-92 (LPG) 3	1000 BULK	Yes	SN	N/A for Pkg Type	-40 to 125	+ALCA
DRV5053CAQLPGM	Active	Production	TO-92 (LPG) 3	3000 AMMO	Yes	SN	N/A for Pkg Type	-40 to 125	+ALCA
DRV5053CAQLPGM.A	Active	Production	TO-92 (LPG) 3	3000 AMMO	Yes	SN	N/A for Pkg Type	-40 to 125	+ALCA
DRV5053EAQDBZR	Active	Production	SOT-23 (DBZ) 3	3000 LARGE T&R	Yes	NIPDAUAG SN	Level-1-260C-UNLIM	-40 to 125	(+ALEA, 1LZ2)
DRV5053EAQDBZR.A	Active	Production	SOT-23 (DBZ) 3	3000 LARGE T&R	Yes	SN	Level-1-260C-UNLIM	-40 to 125	(+ALEA, 1LZ2)
DRV5053EAQDBZT	Obsolete	Production	SOT-23 (DBZ) 3	-	-	Call TI	Call TI	-40 to 125	(+ALEA, 1LZ2)
DRV5053EAQLPG	Active	Production	TO-92 (LPG) 3	1000 BULK	Yes	SN	N/A for Pkg Type	-40 to 125	+ALEA
DRV5053EAQLPG.A	Active	Production	TO-92 (LPG) 3	1000 BULK	Yes	SN	N/A for Pkg Type	-40 to 125	+ALEA
DRV5053EAQLPGM	Active	Production	TO-92 (LPG) 3	3000 AMMO	Yes	SN	N/A for Pkg Type	-40 to 125	+ALEA
DRV5053EAQLPGM.A	Active	Production	TO-92 (LPG) 3	3000 AMMO	Yes	SN	N/A for Pkg Type	-40 to 125	+ALEA
DRV5053OAQDBZR	Active	Production	SOT-23 (DBZ) 3	3000 LARGE T&R	Yes	NIPDAUAG SN	Level-1-260C-UNLIM	-40 to 125	(+ALOA, 1M12)
DRV5053OAQDBZR.A	Active	Production	SOT-23 (DBZ) 3	3000 LARGE T&R	Yes	SN	Level-1-260C-UNLIM	-40 to 125	(+ALOA, 1M12)
DRV5053OAQDBZT	Obsolete	Production	SOT-23 (DBZ) 3	-	-	Call TI	Call TI	-40 to 125	(+ALOA, 1M12)
DRV5053OAQLPG	Active	Production	TO-92 (LPG) 3	1000 BULK	Yes	SN	N/A for Pkg Type	-40 to 125	+ALOA
DRV5053OAQLPG.A	Active	Production	TO-92 (LPG) 3	1000 BULK	Yes	SN	N/A for Pkg Type	-40 to 125	+ALOA
DRV5053OAQLPGM	Active	Production	TO-92 (LPG) 3	3000 AMMO	Yes	SN	N/A for Pkg Type	-40 to 125	+ALOA
DRV5053OAQLPGM.A	Active	Production	TO-92 (LPG) 3	3000 AMMO	Yes	SN	N/A for Pkg Type	-40 to 125	+ALOA
DRV5053PAQDBZR	Active	Production	SOT-23 (DBZ) 3	3000 LARGE T&R	Yes	NIPDAUAG SN	Level-1-260C-UNLIM	-40 to 125	(+ALPA, 1M22)
DRV5053PAQDBZR.A	Active	Production	SOT-23 (DBZ) 3	3000 LARGE T&R	Yes	SN	Level-1-260C-UNLIM	-40 to 125	(+ALPA, 1M22)
DRV5053PAQDBZT	Obsolete	Production	SOT-23 (DBZ) 3	-	-	Call TI	Call TI	-40 to 125	(+ALPA, 1M22)
DRV5053PAQLPG	Active	Production	TO-92 (LPG) 3	1000 BULK	Yes	SN	N/A for Pkg Type	-40 to 125	+ALPA
DRV5053PAQLPG.A	Active	Production	TO-92 (LPG) 3	1000 BULK	Yes	SN	N/A for Pkg Type	-40 to 125	+ALPA
DRV5053PAQLPGM	Active	Production	TO-92 (LPG) 3	3000 AMMO	Yes	SN	N/A for Pkg Type	-40 to 125	+ALPA
DRV5053PAQLPGM.A	Active	Production	TO-92 (LPG) 3	3000 AMMO	Yes	SN	N/A for Pkg Type	-40 to 125	+ALPA
DRV5053RAQDBZR	Active	Production	SOT-23 (DBZ) 3	3000 LARGE T&R	Yes	NIPDAUAG SN	Level-1-260C-UNLIM	-40 to 125	(+ALRA, 1M32)

Orderable part number	Status (1)	Material type (2)	Package Pins	Package qty Carrier	RoHS (3)	Lead finish/ Ball material (4)	MSL rating/ Peak reflow (5)	Op temp (°C)	Part marking (6)
DRV5053RAQDBZR.A	Active	Production	SOT-23 (DBZ) 3	3000 LARGE T&R	Yes	SN	Level-1-260C-UNLIM	-40 to 125	(+ALRA, 1M32)
DRV5053RAQDBZT	Obsolete	Production	SOT-23 (DBZ) 3	-	-	Call TI	Call TI	-40 to 125	(+ALRA, 1M32)
DRV5053RAQLPG	Active	Production	TO-92 (LPG) 3	1000 BULK	Yes	SN	N/A for Pkg Type	-40 to 125	+ALRA
DRV5053RAQLPG.A	Active	Production	TO-92 (LPG) 3	1000 BULK	Yes	SN	N/A for Pkg Type	-40 to 125	+ALRA
DRV5053RAQLPGM	Active	Production	TO-92 (LPG) 3	3000 AMMO	Yes	SN	N/A for Pkg Type	-40 to 125	+ALRA
DRV5053RAQLPGM.A	Active	Production	TO-92 (LPG) 3	3000 AMMO	Yes	SN	N/A for Pkg Type	-40 to 125	+ALRA
DRV5053VAQDBZR	Active	Production	SOT-23 (DBZ) 3	3000 LARGE T&R	Yes	NIPDAUAG SN	Level-1-260C-UNLIM	-40 to 125	(+ALVA, 1M42)
DRV5053VAQDBZR.A	Active	Production	SOT-23 (DBZ) 3	3000 LARGE T&R	Yes	SN	Level-1-260C-UNLIM	-40 to 125	(+ALVA, 1M42)
DRV5053VAQDBZT	Obsolete	Production	SOT-23 (DBZ) 3	-	-	Call TI	Call TI	-40 to 125	(+ALVA, 1M42)
DRV5053VAQLPG	Active	Production	TO-92 (LPG) 3	1000 BULK	Yes	SN	N/A for Pkg Type	-40 to 125	+ALVA
DRV5053VAQLPG.A	Active	Production	TO-92 (LPG) 3	1000 BULK	Yes	SN	N/A for Pkg Type	-40 to 125	+ALVA
DRV5053VAQLPGM	Active	Production	TO-92 (LPG) 3	3000 AMMO	Yes	SN	N/A for Pkg Type	-40 to 125	+ALVA
DRV5053VAQLPGM.A	Active	Production	TO-92 (LPG) 3	3000 AMMO	Yes	SN	N/A for Pkg Type	-40 to 125	+ALVA

⁽¹⁾ **Status:** For more details on status, see our [product life cycle](#).

⁽²⁾ **Material type:** When designated, preproduction parts are prototypes/experimental devices, and are not yet approved or released for full production. Testing and final process, including without limitation quality assurance, reliability performance testing, and/or process qualification, may not yet be complete, and this item is subject to further changes or possible discontinuation. If available for ordering, purchases will be subject to an additional waiver at checkout, and are intended for early internal evaluation purposes only. These items are sold without warranties of any kind.

⁽³⁾ **RoHS values:** Yes, No, RoHS Exempt. See the [TI RoHS Statement](#) for additional information and value definition.

⁽⁴⁾ **Lead finish/Ball material:** Parts may have multiple material finish options. Finish options are separated by a vertical ruled line. Lead finish/Ball material values may wrap to two lines if the finish value exceeds the maximum column width.

⁽⁵⁾ **MSL rating/Peak reflow:** The moisture sensitivity level ratings and peak solder (reflow) temperatures. In the event that a part has multiple moisture sensitivity ratings, only the lowest level per JEDEC standards is shown. Refer to the shipping label for the actual reflow temperature that will be used to mount the part to the printed circuit board.

⁽⁶⁾ **Part marking:** There may be an additional marking, which relates to the logo, the lot trace code information, or the environmental category of the part.

Multiple part markings will be inside parentheses. Only one part marking contained in parentheses and separated by a "-" will appear on a part. If a line is indented then it is a continuation of the previous line and the two combined represent the entire part marking for that device.

Important Information and Disclaimer: The information provided on this page represents TI's knowledge and belief as of the date that it is provided. TI bases its knowledge and belief on information provided by third parties, and makes no representation or warranty as to the accuracy of such information. Efforts are underway to better integrate information from third parties. TI has taken and continues to take reasonable steps to provide representative and accurate information but may not have conducted destructive testing or chemical analysis on incoming materials and chemicals. TI and TI suppliers consider certain information to be proprietary, and thus CAS numbers and other limited information may not be available for release.

In no event shall TI's liability arising out of such information exceed the total purchase price of the TI part(s) at issue in this document sold by TI to Customer on an annual basis.

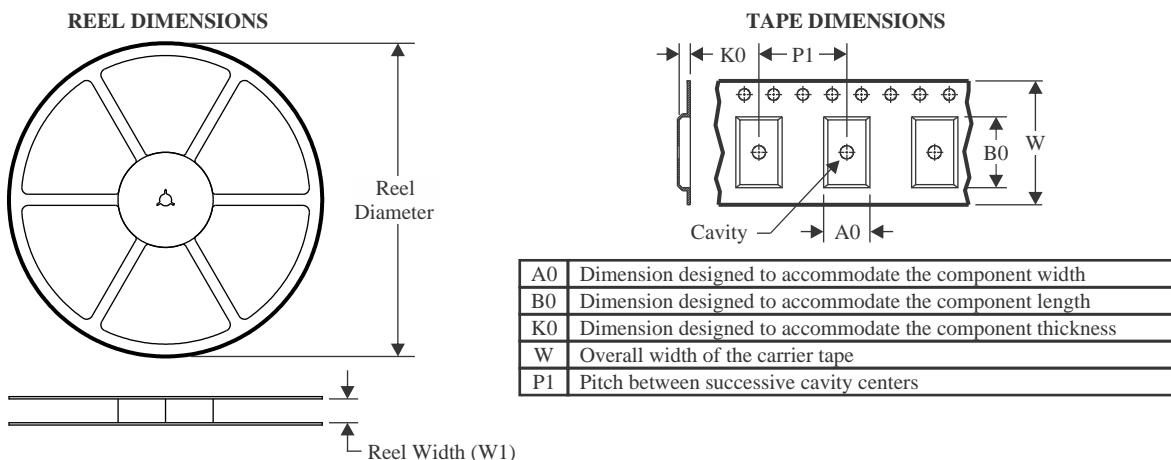
OTHER QUALIFIED VERSIONS OF DRV5053 :

- Automotive : [DRV5053-Q1](#)

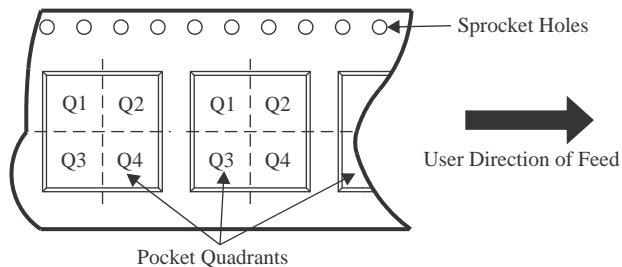
NOTE: Qualified Version Definitions:

- Automotive - Q100 devices qualified for high-reliability automotive applications targeting zero defects

TAPE AND REEL INFORMATION



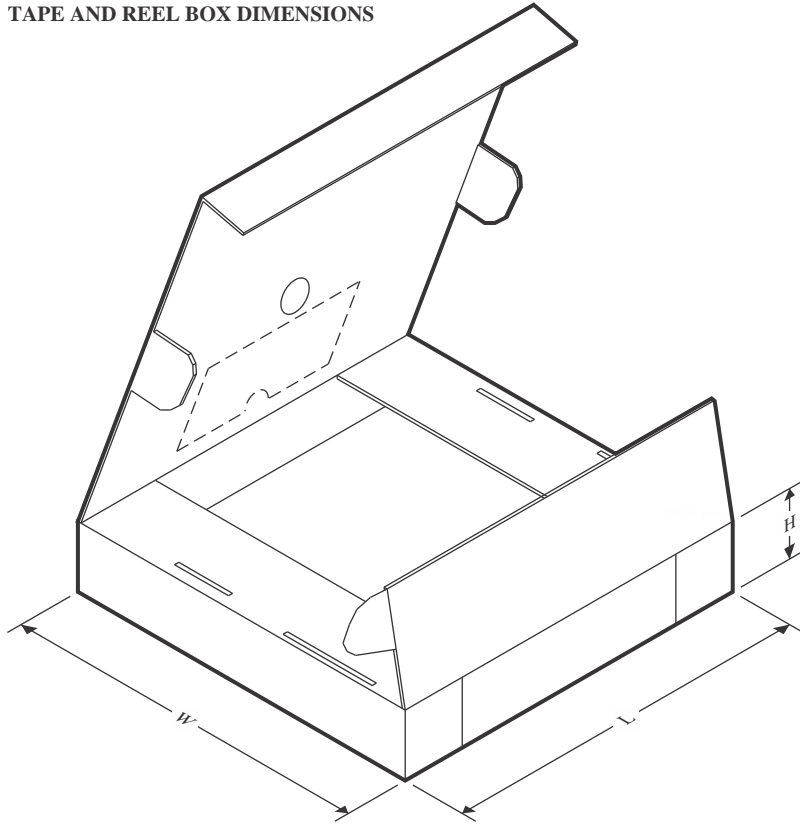
QUADRANT ASSIGNMENTS FOR PIN 1 ORIENTATION IN TAPE



*All dimensions are nominal

Device	Package Type	Package Drawing	Pins	SPQ	Reel Diameter (mm)	Reel Width W1 (mm)	A0 (mm)	B0 (mm)	K0 (mm)	P1 (mm)	W (mm)	Pin1 Quadrant
DRV5053CAQDBZR	SOT-23	DBZ	3	3000	180.0	8.4	3.2	2.85	1.3	4.0	8.0	Q3
DRV5053EAQDBZR	SOT-23	DBZ	3	3000	180.0	8.4	3.2	2.85	1.3	4.0	8.0	Q3
DRV5053OAQDBZR	SOT-23	DBZ	3	3000	178.0	9.0	3.15	2.77	1.22	4.0	8.0	Q3
DRV5053OAQDBZR	SOT-23	DBZ	3	3000	180.0	8.4	3.2	2.85	1.3	4.0	8.0	Q3
DRV5053PAQDBZR	SOT-23	DBZ	3	3000	180.0	8.4	3.2	2.85	1.3	4.0	8.0	Q3
DRV5053RAQDBZR	SOT-23	DBZ	3	3000	178.0	9.0	3.15	2.77	1.22	4.0	8.0	Q3
DRV5053RAQDBZR	SOT-23	DBZ	3	3000	180.0	8.4	3.2	2.85	1.3	4.0	8.0	Q3
DRV5053VAQDBZR	SOT-23	DBZ	3	3000	180.0	8.4	3.2	2.85	1.3	4.0	8.0	Q3
DRV5053VAQDBZR	SOT-23	DBZ	3	3000	178.0	9.0	3.15	2.77	1.22	4.0	8.0	Q3

TAPE AND REEL BOX DIMENSIONS



*All dimensions are nominal

Device	Package Type	Package Drawing	Pins	SPQ	Length (mm)	Width (mm)	Height (mm)
DRV5053CAQDBZR	SOT-23	DBZ	3	3000	210.0	185.0	35.0
DRV5053EAQDBZR	SOT-23	DBZ	3	3000	210.0	185.0	35.0
DRV5053OAQDBZR	SOT-23	DBZ	3	3000	180.0	180.0	18.0
DRV5053PAQDBZR	SOT-23	DBZ	3	3000	210.0	185.0	35.0
DRV5053RAQDBZR	SOT-23	DBZ	3	3000	180.0	180.0	18.0
DRV5053VAQDBZR	SOT-23	DBZ	3	3000	210.0	185.0	35.0
DRV5053VAQDBZR	SOT-23	DBZ	3	3000	180.0	180.0	18.0

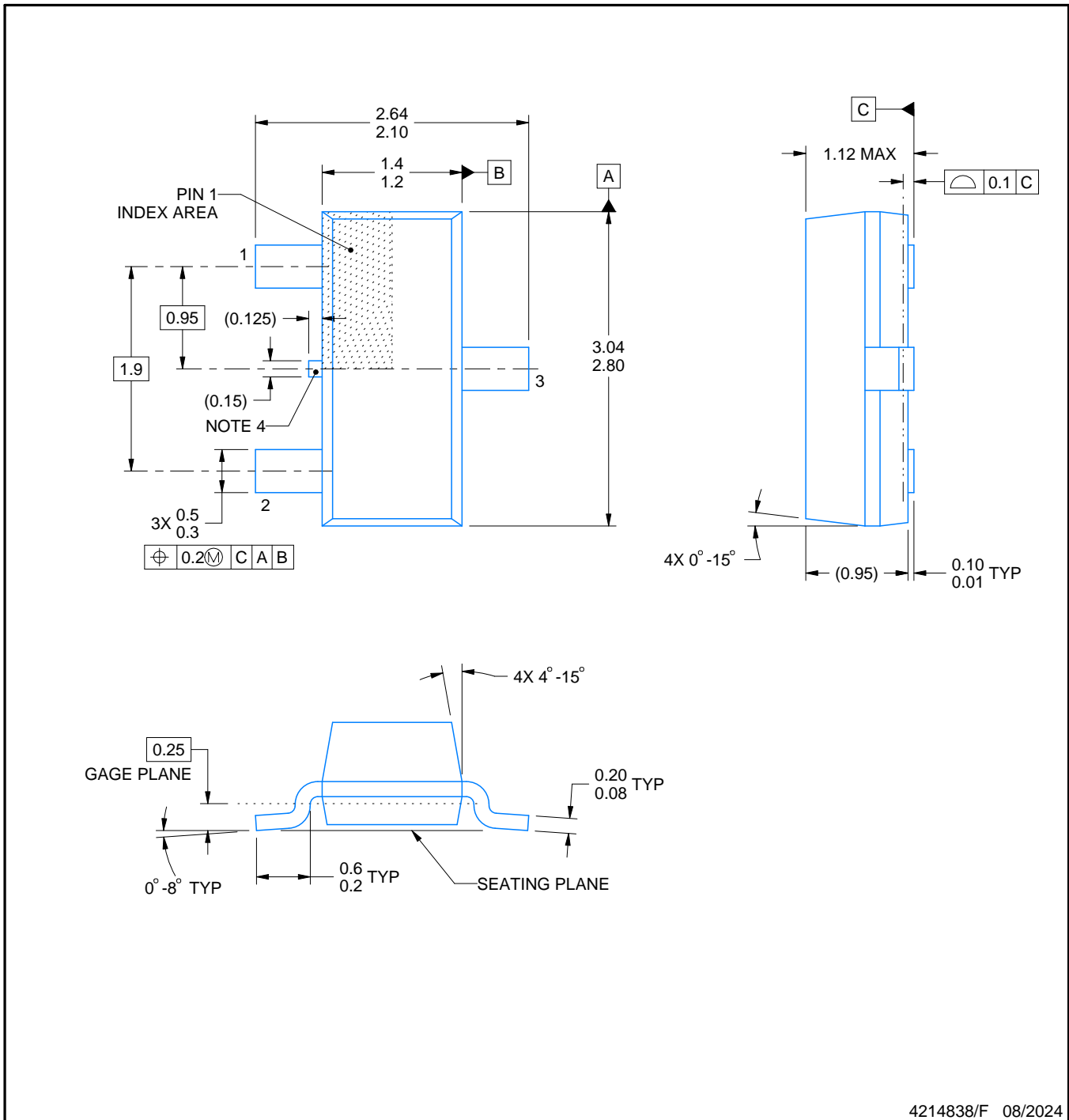


PACKAGE OUTLINE

DBZ0003A

SOT-23 - 1.12 mm max height

SMALL OUTLINE TRANSISTOR



4214838/F 08/2024

NOTES:

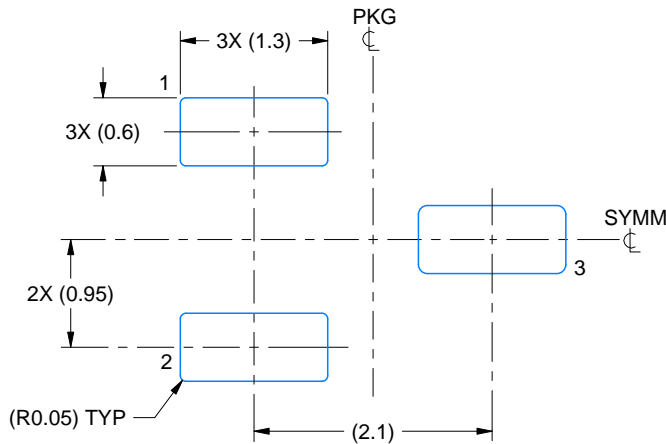
1. All linear dimensions are in millimeters. Any dimensions in parenthesis are for reference only. Dimensioning and tolerancing per ASME Y14.5M.
2. This drawing is subject to change without notice.
3. Reference JEDEC registration TO-236, except minimum foot length.
4. Support pin may differ or may not be present.
5. Body dimensions do not include mold flash, protrusions, or gate burrs. Mold flash, protrusions, or gate burrs shall not exceed 0.25mm per side

EXAMPLE BOARD LAYOUT

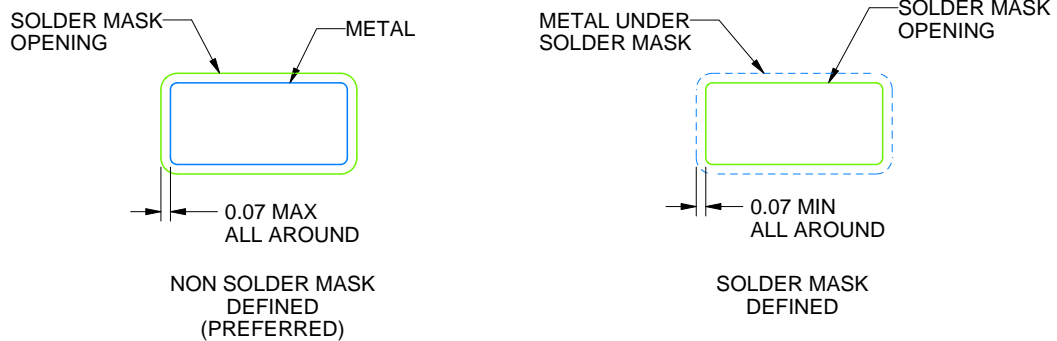
DBZ0003A

SOT-23 - 1.12 mm max height

SMALL OUTLINE TRANSISTOR



LAND PATTERN EXAMPLE
SCALE:15X



SOLDER MASK DETAILS

4214838/F 08/2024

NOTES: (continued)

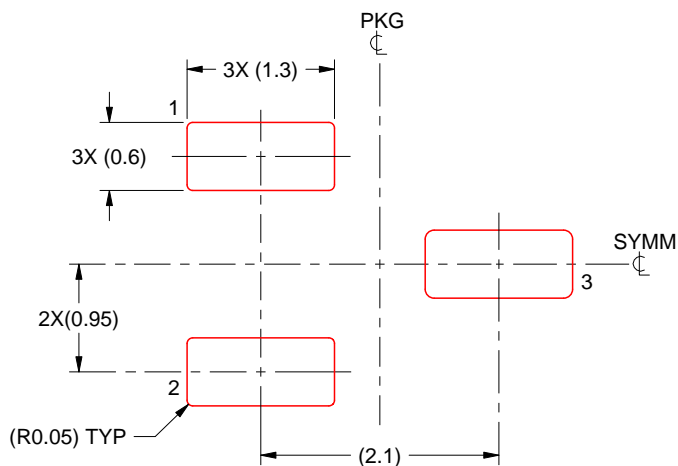
- 5. Publication IPC-7351 may have alternate designs.
- 6. Solder mask tolerances between and around signal pads can vary based on board fabrication site.

EXAMPLE STENCIL DESIGN

DBZ0003A

SOT-23 - 1.12 mm max height

SMALL OUTLINE TRANSISTOR



SOLDER PASTE EXAMPLE
 BASED ON 0.125 THICK STENCIL
 SCALE:15X

4214838/F 08/2024

NOTES: (continued)

- 7. Laser cutting apertures with trapezoidal walls and rounded corners may offer better paste release. IPC-7525 may have alternate design recommendations.
- 8. Board assembly site may have different recommendations for stencil design.

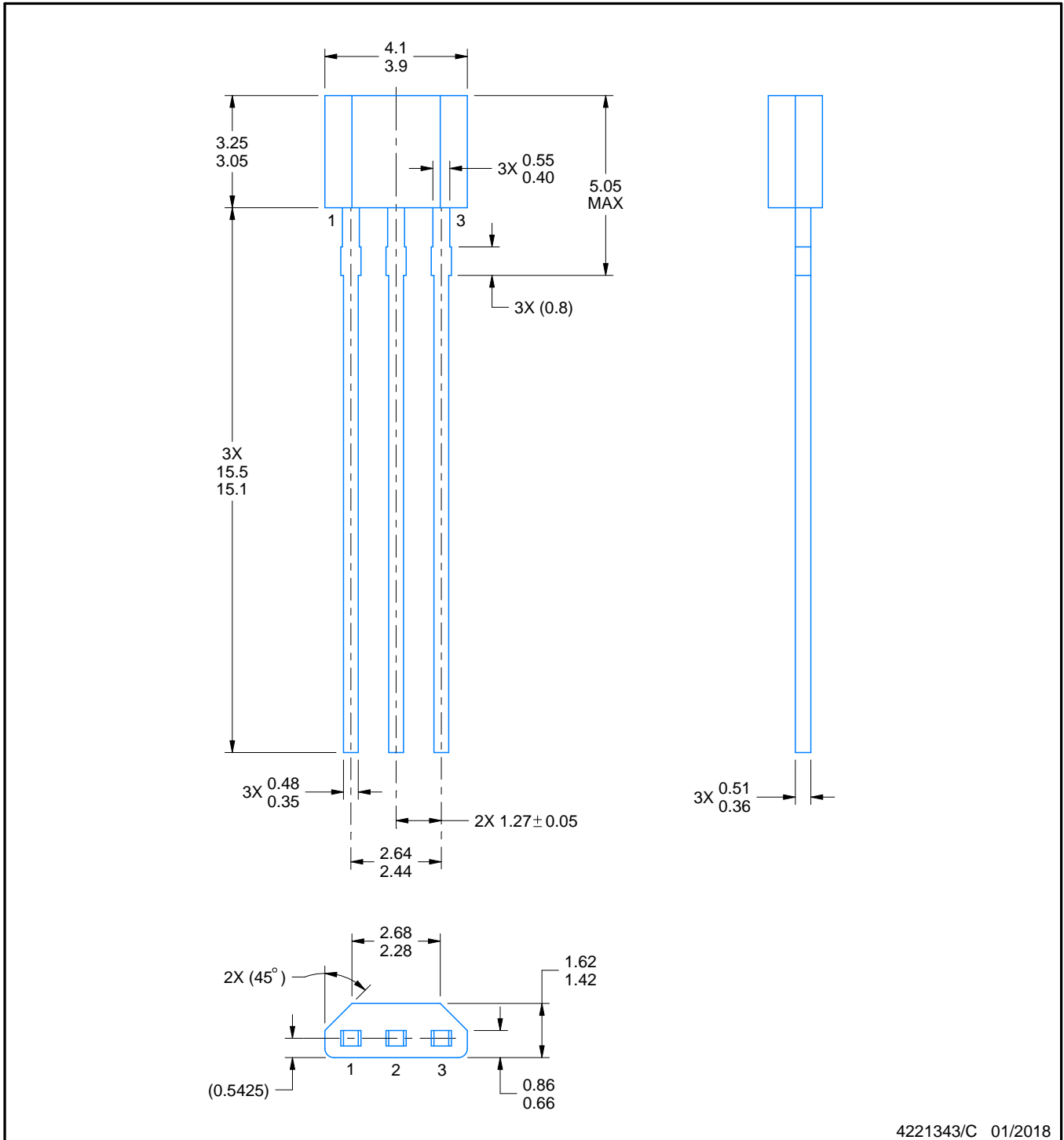


PACKAGE OUTLINE

LPG0003A

TO-92 - 5.05 mm max height

TRANSISTOR OUTLINE



4221343/C 01/2018

NOTES:

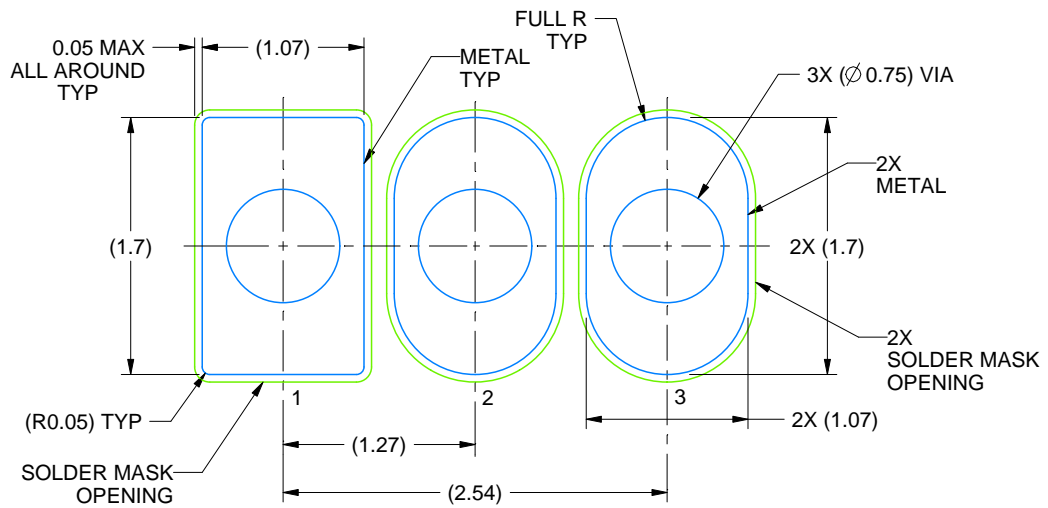
1. All linear dimensions are in millimeters. Any dimensions in parenthesis are for reference only. Dimensioning and tolerancing per ASME Y14.5M.
2. This drawing is subject to change without notice.

EXAMPLE BOARD LAYOUT

LPG0003A

TO-92 - 5.05 mm max height

TRANSISTOR OUTLINE



LAND PATTERN EXAMPLE
NON-SOLDER MASK DEFINED
SCALE:20X

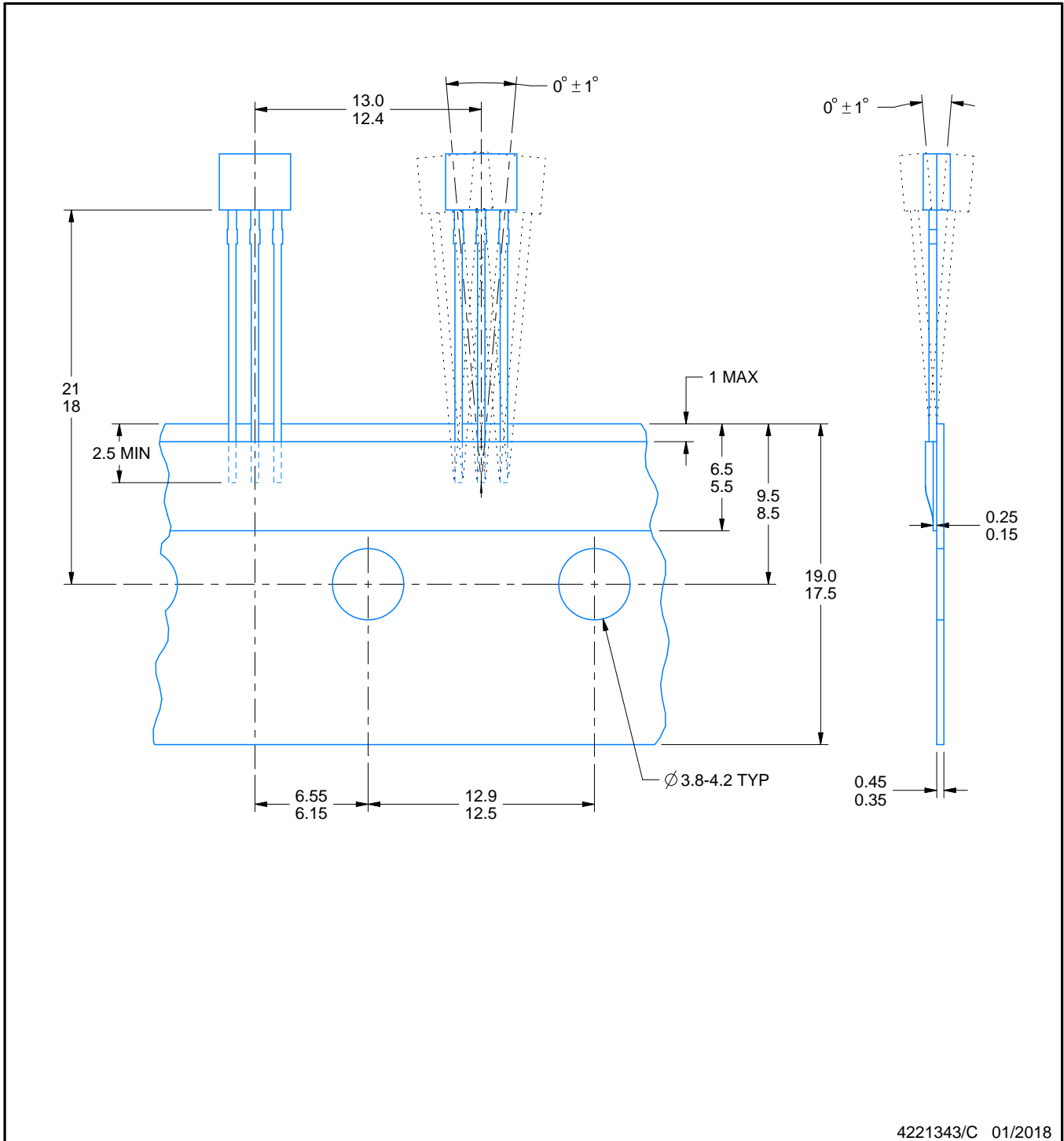
4221343/C 01/2018

TAPE SPECIFICATIONS

LPG0003A

TO-92 - 5.05 mm max height

TRANSISTOR OUTLINE



IMPORTANT NOTICE AND DISCLAIMER

TI PROVIDES TECHNICAL AND RELIABILITY DATA (INCLUDING DATASHEETS), DESIGN RESOURCES (INCLUDING REFERENCE DESIGNS), APPLICATION OR OTHER DESIGN ADVICE, WEB TOOLS, SAFETY INFORMATION, AND OTHER RESOURCES "AS IS" AND WITH ALL FAULTS, AND DISCLAIMS ALL WARRANTIES, EXPRESS AND IMPLIED, INCLUDING WITHOUT LIMITATION ANY IMPLIED WARRANTIES OF MERCHANTABILITY, FITNESS FOR A PARTICULAR PURPOSE OR NON-INFRINGEMENT OF THIRD PARTY INTELLECTUAL PROPERTY RIGHTS.

These resources are intended for skilled developers designing with TI products. You are solely responsible for (1) selecting the appropriate TI products for your application, (2) designing, validating and testing your application, and (3) ensuring your application meets applicable standards, and any other safety, security, regulatory or other requirements.

These resources are subject to change without notice. TI grants you permission to use these resources only for development of an application that uses the TI products described in the resource. Other reproduction and display of these resources is prohibited. No license is granted to any other TI intellectual property right or to any third party intellectual property right. TI disclaims responsibility for, and you fully indemnify TI and its representatives against any claims, damages, costs, losses, and liabilities arising out of your use of these resources.

TI's products are provided subject to [TI's Terms of Sale](#), [TI's General Quality Guidelines](#), or other applicable terms available either on [ti.com](#) or provided in conjunction with such TI products. TI's provision of these resources does not expand or otherwise alter TI's applicable warranties or warranty disclaimers for TI products. Unless TI explicitly designates a product as custom or customer-specified, TI products are standard, catalog, general purpose devices.

TI objects to and rejects any additional or different terms you may propose.

Copyright © 2025, Texas Instruments Incorporated

Last updated 10/2025

OUR CERTIFICATE

DiGi provide top-quality products and perfect service for customer worldwide through standardization, technological innovation and continuous improvement. DiGi through third-party certification, we strictly control the quality of products and services. Welcome your RFQ to

Email: Info@DiGi-Electronics.com



Tel: +00 852-30501935

RFQ Email: Info@DiGi-Electronics.com

DiGi is a global authorized distributor of electronic components.