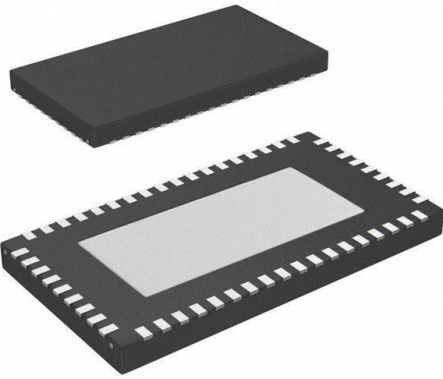


DS125BR401ANJYR Datasheet

www.digi-electronics.com



DS125BR401ANJYR

<https://www.DiGi-Electronics.com>

DiGi Electronics Part Number	DS125BR401ANJYR-DG
Manufacturer	Texas Instruments
Manufacturer Product Number	DS125BR401ANJYR
Description	IC REDRIVER PCIE/SAS/SATA 54WQFN
Detailed Description	Buffer, ReDriver 4 Channel 12Gbps 54-WQFN (10x5 .5)



Tel: +00 852-30501935

RFQ Email: Info@DiGi-Electronics.com

DiGi is a global authorized distributor of electronic components.

Purchase and inquiry

Manufacturer Product Number:

DS125BR401ANJYR

Series:

-

Type:

Buffer, ReDriver

Input:

CML

Data Rate (Max):

12Gbps

Delay Time:

80ps

Capacitance - Input:

5 pF

Current - Supply:

-

Mounting Type:

Surface Mount

Supplier Device Package:

54-WQFN (10x5.5)

Manufacturer:

Texas Instruments

Product Status:

Active

Applications:

PCIe, SAS, SATA

Output:

CML

Number of Channels:

4

Signal Conditioning:

Input Equalization, Output De-Emphasis

Voltage - Supply:

2.375V ~ 3.6V

Operating Temperature:

-40°C ~ 85°C

Package / Case:

54-WFQFN Exposed Pad

Base Product Number:

DS125BR401

Environmental & Export classification

RoHS Status:

ROHS3 Compliant

REACH Status:

REACH Unaffected

HTSUS:

8542.39.0001

Moisture Sensitivity Level (MSL):

2 (1 Year)

ECCN:

EAR99

DS125BR401A Low-Power 12 Gbps 4-Lane Linear Repeater With Equalization

1 Features

- Low 65-mW/Channel (Typ) Power Consumption, With Option to Power Down Unused Channels
- Linear Equalization allows for Link Training in PCIe and SAS
- Supports Out-of-Band (OOB) Signaling
- Advanced Signal Conditioning B-Side I/O
 - Receive CTLE up to 24 dB at 6 GHz
 - Transmit (Tx) DE > 10 dB
 - Tx Output Voltage: 700 mV to 1400 mV
- Advanced Signal Conditioning A-Side I/O
 - Receive CTLE up to 10 dB at 6 GHz
 - Linear output drive
 - Output voltage range over 1200mV
 Programmable via Terminal Selection, EEPROM, or SMBus Interface
- Single Supply Voltage: 2.5 V or 3.3 V
- -40°C to 85°C Operating Temperature Range
- 4 kV HBM ESD Rating
- Flow-Thru Layout in 10mmx5.5mm 54-Terminal Leadless WQFN Package

2 Applications

- SAS/SATA
- PCI Express
- Other Proprietary Interfaces up to 12 Gbps

3 Description

The DS125BR401A is an extremely low-power high-performance repeater/redriver designed to support four lanes carrying high speed interface up to 12 Gbps. The B-Side receiver's continuous time linear equalizers (CTLE) provide high frequency boost of up to +24 dB at 6 GHz (12 Gbps) and are capable of opening an input eye that is completely closed due to inter symbol interference (ISI) induced by interconnect medium such as backplane traces or twinaxial copper cables. The programmable equalization allows maximum flexibility in the physical placement within the interconnect channel. The A-Side channel has a 10 dB linear equalizer and linear output driver.

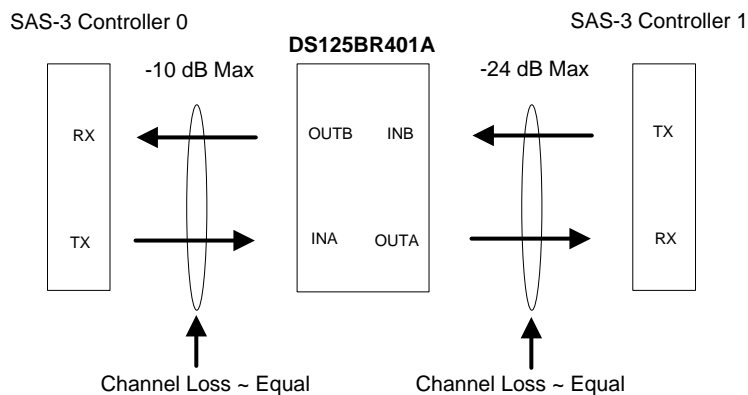
The A-Side channel has a settable 3-10 dB linear equalizer coupled to a linear output driver. When operating in SAS-3 and PCIe Gen-3 applications the DS125BR401A preserves transmit signal characteristics allowing the host controller and the end point to negotiate transmit equalizer coefficients. This transparency to the link training protocol aides system level interoperability and minimum latency.

The programmable settings can be applied easily via Terminals, software (SMBus or I2C), or loaded via an external EEPROM. In EEPROM mode, the configuration information is automatically loaded on power up, which eliminates the need for an external microprocessor or software driver.

Device Information

ORDER NUMBER	PACKAGE	BODY SIZE
DS125BR401ANJY	WQFN (48)	10 mm x 5.5 mm

SAS-3 Application



DS125BR401A

SNLS466A –SEPTEMBER 2013–REVISED MARCH 2014

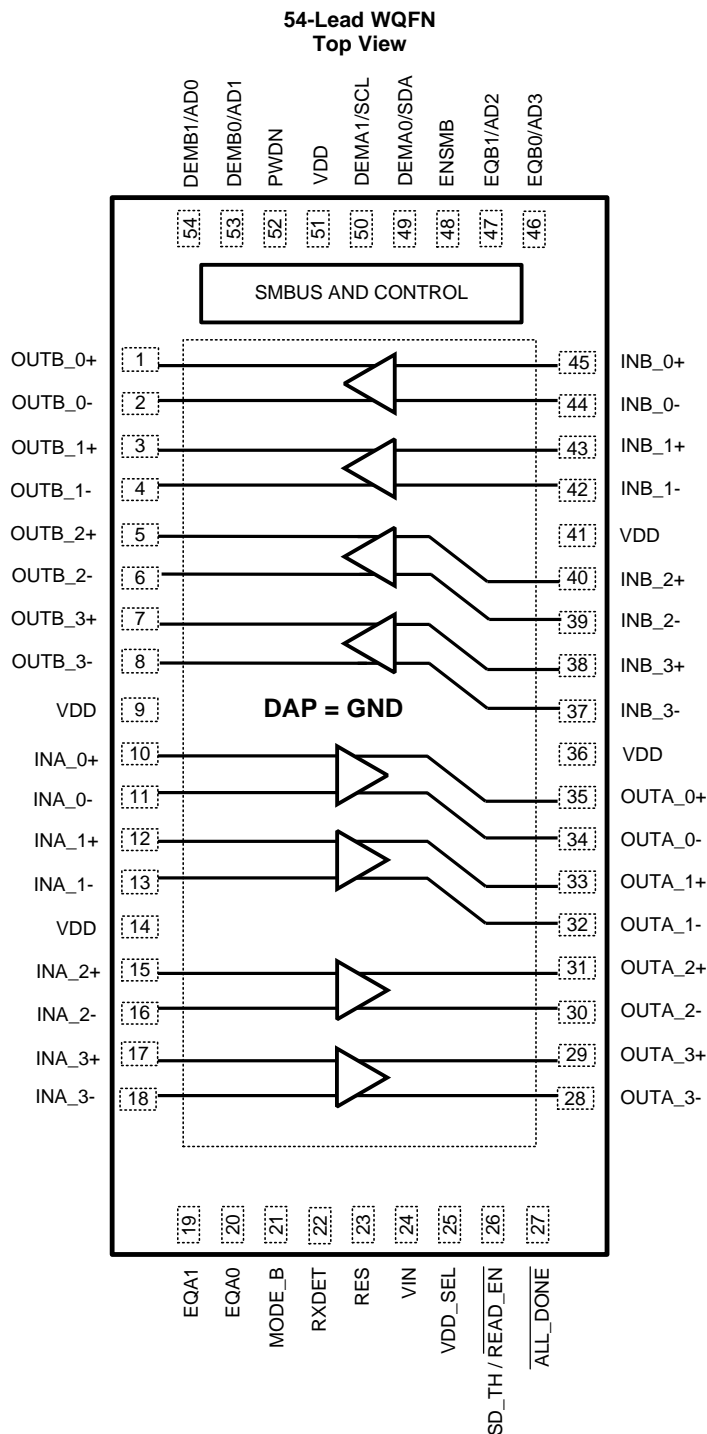
www.ti.com**Table of Contents**

1 Features	1	7.3 Feature Description.....	14
2 Applications	1	7.4 Device Functional Modes.....	14
3 Description	1	7.5 Signal Conditioning Settings	16
4 Revision History	2	7.6 Programming.....	18
5 Terminal Configuration and Functions	3	7.7 Register Maps.....	25
6 Specifications	6	8 Applications and Implementation	38
6.1 Absolute Maximum Ratings	6	8.1 Application Information.....	38
6.2 Handling Ratings.....	6	8.2 Typical Application	39
6.3 Recommended Operating Conditions.....	6	9 Power Supply Recommendations	42
6.4 Thermal Information	6	10 Layout	43
6.5 Electrical Characteristics.....	6	10.1 Layout Guidelines	43
6.6 Electrical Characteristics — Serial Management Bus Interface	10	10.2 Layout Example	43
6.7 Timing Requirements Serial Bus Interface	10	11 Device and Documentation Support	44
6.8 Typical Characteristics.....	12	11.1 Trademarks	44
7 Detailed Description	13	11.2 Electrostatic Discharge Caution.....	44
7.1 Overview	13	11.3 Glossary	44
7.2 Functional Block Diagram	13	12 Mechanical, Packaging, and Orderable Information	44

4 Revision History**Changes from Original (September 2013) to Revision A****Page**

- | | |
|---|---|
| • Changed from preview to production data document. | 1 |
| • Changed to new TI datasheet standard: added Handling Ratings table and Device and Documentation section. | 1 |

5 Terminal Configuration and Functions



NOTE: Above 54-lead WQFN graphic is a TOP VIEW, looking down through the package.

DS125BR401A

SNLS466A – SEPTEMBER 2013 – REVISED MARCH 2014

www.ti.com

Terminal Functions⁽¹⁾

TERMINAL NAME	TERMINAL NUMBER	I/O, TYPE	TERMINAL DESCRIPTION
DIFFERENTIAL HIGH SPEED I/O			
INB_0+, INB_0-, INB_1+, INB_1-, INB_2+, INB_2-, INB_3+, INB_3-	45, 44, 43, 42 40, 39, 38, 37	I	Inverting and non-inverting CML differential inputs to the equalizer. On-chip 50Ω termination resistor connects INB_n+ to VDD and INB_n- to VDD when enabled. AC coupling required on high-speed I/O
OUTB_0+, OUTB_0-, OUTB_1+, OUTB_1-, OUTB_2+, OUTB_2-, OUTB_3+, OUTB_3-	1, 2, 3, 4 5, 6, 7, 8	O	Inverting and non-inverting 50Ω driver outputs with de-emphasis. Compatible with AC coupled CML inputs. AC coupling required on high-speed I/O
INA_0+, INA_0-, INA_1+, INA_1-, INA_2+, INA_2-, INA_3+, INA_3-	10, 11, 12, 13 15, 16, 17, 18	I	Inverting and non-inverting CML differential inputs to the equalizer. On-chip 50Ω termination resistor connects INA_n+ to VDD and INA_n- to VDD when enabled. AC coupling required on high-speed I/O
OUTA_0+, OUTA_0-, OUTA_1+, OUTA_1-, OUTA_2+, OUTA_2-, OUTA_3+, OUTA_3-	35, 34, 33, 32 31, 30, 29, 28	O	Inverting and non-inverting 50Ω driver outputs. Compatible with AC coupled CML inputs. AC coupling required on high-speed I/O
CONTROL TERMINALS — SHARED (LVCMOS)			
ENSMB	48	I, LVCMOS	System Management Bus (SMBus) enable Terminal Tie 1kΩ to VDD = Register Access SMBus Slave mode FLOAT = Read External EEPROM (Master SMBUS Mode) Tie 1kΩ to GND = Terminal Mode
ENSMB = 1 (SMBus MODE)			
SCL	50	I, LVCMOS, O, OPEN Drain	ENSMB Master or Slave mode SMBus clock input Terminal is enabled (slave mode). Clock output when loading EEPROM configuration (master mode).
SDA	49	I, LVCMOS, O, OPEN Drain	ENSMB Master or Slave mode The SMBus bidirectional SDA Terminal is enabled. Data input or open drain (pull-down only) output.
AD0-AD3	54, 53, 47, 46	I, LVCMOS	ENSMB Master or Slave mode SMBus Slave Address Inputs. In SMBus mode, these Terminals are the user set SMBus slave address inputs.
READ_EN	26	I, LVCMOS	When using an External EEPROM, a logic low on this terminal starts the load from the external EEPROM
ENSMB = 0 (TERMINAL MODE)			
EQA0, EQA1 EQB0, EQB1	20, 19 46, 47	I, 4-LEVEL, LVCMOS	EQA[1:0] and EQB[1:0] control the level of equalization of the A/B directions. The Terminals are defined as EQx[1:0] only when ENSMB is de-asserted (low). Each of the 4 A/B channels have the same level unless controlled by the SMBus control registers. When ENSMB goes high the SMBus registers provide independent control of each lane. The EQB[1:0] Terminals are converted to SMBus AD2, AD3 inputs. See Table 5 .
DEMB0, DEMB1	53, 54	I, 4-LEVEL, LVCMOS	DEMB[1:0] controls the level of de-emphasis of CHB outputs. The Terminals are defined as DEMB[1:0] only when ENSMB is de-asserted (low). Each of the 4 B channels have the same level unless controlled by the SMBus control registers. When ENSMB goes high the SMBus registers provide independent control of each lane. The DEMB[1:0] Terminals are converted to AD0, AD1 inputs. See Table 7 .
MODE_B	21	I, 4-LEVEL, LVCMOS	MODE_B control Terminal selects operating modes for the INB-OUTB Channels. Tie 1kΩ to GND = GEN 1,2 and SAS 1,2 Float = Auto Mode Select (for PCIe) Tie 20kΩ to GND = SAS-3 and GEN-3 without De-emphasis Tie 1kΩ to VDD = SAS-3 and GEN-3 with De-emphasis See Table 4 .

- (1) LVCMOS inputs without the "Float" conditions must be driven to a logic low or high at all times or operation is not ensured. Input edge rate for LVCMOS/FLOAT inputs must be faster than 50 ns from 10–90%.
For 3.3V mode operation, VIN Terminal input = 3.3V and the logic "1" reference for the 4-level input is 3.3V.
For 2.5V mode operation, VDD Terminal output = 2.5V and the logic "1" reference for the 4-level input is 2.5V.

Terminal Functions⁽¹⁾ (continued)

TERMINAL NAME	TERMINAL NUMBER	I/O, TYPE	TERMINAL DESCRIPTION
DEMA0, DEMA1	49, 50	I, 4-LEVEL, LVCMOS	DEMA[1:0] controls the CHA output amplitude. The Terminals are defined as DEMA[1:0] only when ENSMB is de-asserted (low). Each of the 4 A channels have the same level unless controlled by the SMBus control registers. When ENSMB goes high the SMBus registers provide independent control of each lane and the DEMA[1:0] Terminals are converted to SCL and SDA. See Table 7 .
SD_TH	26	I, 4-LEVEL, LVCMOS	Controls the internal Signal Detect Threshold on the INB-OUTB Channels. For CHB, the signal detect is used to bring the output into and out of IDLE. This allows the OOB signaling to pass with minimal distortion. See Table 3 .
CONTROL TERMINALS — BOTH TERMINAL AND SMBus MODES (LVCMOS)			
RXDET	22	I, 4-LEVEL, LVCMOS	The RXDET Terminal controls the receiver detect function. Depending on the input level, a 50Ω or >50KΩ termination to the power rail is enabled. In SAS/SATA system RXDET should be set to a Logic "1" state to keep the termination always enabled. See Table 2 .
RES	23	I, 4-LEVEL, LVCMOS	Reserved: This input must be left Floating.
VDD_SEL	25	I, FLOAT	Controls the internal regulator Float = 2.5V mode Tie GND = 3.3V mode
PWDN	52	I, LVCMOS	Tie High = Low power - power down Tie GND = Normal Operation See Table 2 .
ALL_DONE	27	O, LVCMOS	Valid Register Load Status Output HIGH = External EEPROM load failed or incomplete LOW = External EEPROM load passed
POWER			
VIN	24	Power	In 3.3V mode, feed 3.3V to VIN In 2.5V mode, leave floating.
VDD	9, 14,36, 41, 51	Power	Power supply Terminals CML/analog 2.5V mode, connect to 2.5V 3.3V mode, connect 0.1 μF cap to each VDD Terminal and GND
GND	DAP	Power	Ground pad (DAP - die attach pad).

DS125BR401A

SNLS466A – SEPTEMBER 2013 – REVISED MARCH 2014

www.ti.com

6 Specifications**6.1 Absolute Maximum Ratings⁽¹⁾**

	MIN	MAX	UNIT
Supply Voltage (VDD - 2.5V)	-0.5	+2.75	V
Supply Voltage (VIN - 3.3V)	-0.5	+4.0	V
LVC MOS Input/Output Voltage	-0.5	+4.0	V
CML Input Voltage	-0.5V to (VDD+0.5)		
CML Input Current	-30	+30	mA

- (1) “Absolute Maximum Ratings” indicate limits beyond which damage to the device may occur, including inoperability and degradation of device reliability and/or performance. Functional operation of the device and/or non-degradation at the Absolute Maximum Ratings or other conditions beyond those indicated in the Recommended Operating Conditions is not implied. The Recommended Operating Conditions indicate conditions at which the device is functional and the device should not be operated beyond such conditions. Absolute Maximum Numbers are ensured for a junction temperature range of -40°C to +125°C. Models are validated to Maximum Operating Voltages only.

6.2 Handling Ratings

		MIN	MAX	UNIT
ESD _{HBM}	HBM, STD - JESD22-A114F		4	kV
ESD _{CDM}	CDM, STD - JESD22-C101-D		1	kV
T _{stg}	Storage Temperature Range	-40	125	°C
T _{solder}	Lead Temperature Range Soldering (4 sec.) ⁽¹⁾		260	°C

- (1) For soldering specifications: See application note [SNOA549](#).

6.3 Recommended Operating Conditions

	MIN	TYP	MAX	UNIT
Supply Voltage (2.5V mode)	2.375	2.5	2.625	V
Supply Voltage (3.3V mode)	3.0	3.3	3.6	V
Ambient Temperature	-40	25	+85	°C
SMBus (SDA, SCL)			3.6	V
Supply Noise up to 50 MHz ⁽¹⁾			100	mVp-p

- (1) Allowed supply noise (mVp-p sine wave) under typical conditions.

6.4 Thermal Information

THERMAL METRIC ⁽¹⁾		DS125BR401A	UNIT
		WQFN	
		54 TERMINALS	
R _{θJA}	Junction-to-ambient thermal resistance	26.6	°C/W
R _{θJctop}	Junction-to-case (top) thermal resistance	10.8	
R _{θJB}	Junction-to-board thermal resistance	4.4	
Ψ _{JT}	Junction-to-top characterization parameter	0.2	
Ψ _{JB}	Junction-to-board characterization parameter	4.3	
R _{θJcbot}	Junction-to-case (bottom) thermal resistance	1.5	

- (1) For more information about traditional and new thermal metrics, see the *IC Package Thermal Metrics* application report, [SPRA953](#).

6.5 Electrical Characteristics

PARAMETER		TEST CONDITIONS	MIN	TYP	MAX	UNIT
POWER						
I _{DD}	Current Consumption	DEM0 = Float, ,DEM1 = Float EQ = 0, VOD = 0.8VP-P, RXDET = 1, PWDN = 0		200	280	mA
	Power Down Current Consumption	PWDN = 1		14	27	mA

Electrical Characteristics (continued)

PARAMETER		TEST CONDITIONS	MIN	TYP	MAX	UNIT
V _{DD}	Integrated LDO Regulator	V _{IN} = 3.0 - 3.6 V	2.375	2.5	2.625	V
LVC MOS / LV TTL DC SPECIFICATIONS						
V _{ih25}	High Level Input Voltage	2.5 V Supply Mode	1.7		V _{DD}	V
V _{ih33}	High Level Input Voltage	3.3 V Supply Mode	1.7		V _{IN}	V
V _{il}	Low Level Input Voltage		0		0.7	V
V _{oh}	High Level Output Voltage (ALL_DONE Terminal)	I _{oh} = -4mA	2.0			V
V _{ol}	Low Level Output Voltage (ALL_DONE Terminal)	I _{ol} = 4mA			0.4	V
I _{ih}	Input High Current (PWDN Terminal)	V _{IN} = 3.6 V, LVC MOS = 3.6 V	-15		+15	µA
I _{il}	Input Low Current (PWDN Terminal)	V _{IN} = 3.6 V, LVC MOS = 0 V	-15		+15	µA
4-LEVEL INPUT DC SPECIFICATIONS						
I _{ih}	Input High Current with internal resistors (4-level input Terminal)	V _{IN} = 3.6 V, LVC MOS = 3.6 V	+20		+150	µA
I _{il}	Input Low Current with internal resistors (4-level input Terminal)	V _{IN} = 3.6 V, LVC MOS = 0 V	-160		-40	µA
V _{th}	Threshold 0 / R	V _{DD} = 2.5V (2.5V supply mode) Internal LDO Disabled See Table 1 for details			0.45	V
	Threshold R / Float				1.2	
	Threshold Float / 1				2	
	Threshold 0 / R	V _{IN} = 3.3V (3.3V supply mode) Internal LDO Enabled See Table 1 for details.			0.6	V
	Threshold R / Float				1.6	
	Threshold Float / 1				2.6	
CML RECEIVER INPUTS (IN_{n+}, IN_{n-})						
RL _{RX-diff}	RX Differential return loss	SDD11 10 MHz			-19	dB
		SDD11 2 GHz			-14	
		SDD11 6-11.1 GHz			-8	
RL _{RX-cm}	RX Common mode return loss	0.05 - 5 GHz			-10	dB
Z _{RX-dc}	RX DC common mode impedance	Tested at V _{DD} = 2.5 V	40	50	60	Ω
Z _{RX-diff-dc}	RX DC differential mode impedance	Tested at V _{DD} = 2.5 V	80	100	120	Ω
V _{RX-signal-det-diff-pp}	Signal detect assert level for active data signal	SD_TH = F (float), 0101 pattern at 12 Gbps			50	mVp-p
V _{RX-idle-det-diff-pp}	Signal detect de-assert level for electrical idle	SD_TH = F (float), 0101 pattern at 12 Gbps			37	mVp-p
HIGH SPEED OUTPUTS						
T _{TX-RISE-FALL}	Transmitter rise/fall time ⁽¹⁾	20% to 80% of differential output voltage			40	ps
T _{RF-MISMATCH}	Transmitter rise/fall mismatch	20% to 80% of differential output voltage			0.01	UI
RL _{TX-DIFF}	TX Differential return loss	SDD22 10 MHz - 2 GHz			-15	dB
		SDD22 5.5 GHz			-12	
		SDD22 11.1 GHz			-10	
RL _{TX-CM}	TX Common mode return loss	0.05 - 5 GHz			-10	dB
Z _{TX-DIFF-DC}	DC differential TX impedance				100	Ω
I _{TX-SHORT}	Transmitter short circuit current limit	Total current, output shorted to V _{DD} or GND			20	mA
V _{TX-CM-DC-ACTIVE-IDLE-DELTA}	Absolute delta of DC common mode voltage during L0 and electrical idle				100	mV

(1) Rise / Fall time measurements will on A-Channels will vary based on EQ setting, Input Amplitude, and input edge rate.

DS125BR401A

SNLS466A – SEPTEMBER 2013 – REVISED MARCH 2014

www.ti.com**Electrical Characteristics (continued)**

PARAMETER		TEST CONDITIONS	MIN	TYP	MAX	UNIT
$V_{TX-CM-DC-LINE-DELTA}$	Absolute delta of DC common mode voltage between TX+ and TX-				25	mV
HIGH SPEED OUTPUTS (A-CHANNELS)						
$V_{TXA-diff1-pp}$	Output Voltage Differential Swing	Differential measurement with OUTA_n+ and OUTA_n-, AC-Coupled and terminated by 50Ω to GND, Inputs AC-Coupled, VID = 600 mVp-p, VOD = 001'b (800mV)	375	465	600	mVp-p
$V_{TXA-diff2-pp}$	Output Voltage Differential Swing	Differential measurement with OUTA_n+ and OUTA_n-, AC-Coupled and terminated by 50Ω to GND, Inputs AC-Coupled, VID = 1000 mVp-p, VOD = 001'b (800mV)	550	675	825	mVp-p
$V_{TXA-diff3-pp}$	Output Voltage Differential Swing	Differential measurement with OUTA_n+ and OUTA_n-, AC-Coupled and terminated by 50Ω to GND, Inputs AC-Coupled, VID = 600 mVp-p, DEMA[1:0] = 10, VOD = 1300mV	475	600	750	Vp-p
$V_{TXA-diff4-pp}$	Output Voltage Differential Swing	Differential measurement with OUTA_n+ and OUTA_n-, AC-Coupled and terminated by 50Ω to GND, Inputs AC-Coupled, VID = 1000 mVp-p, VOD = 110'b (1300mV)	775	915	1125	Vp-p
$T_{TXA-IDLE-DATA}$	Time to transition to valid differential signal after idle	VID = 1.0 Vp-p, 3 Gbps		0.04		ns
$T_{TXA-DATA-IDLE}$	Time to transition to idle after differential signal	VID = 1.0 Vp-p, 3 Gbps		0.70		ns
T_{PDEQA}	Differential propagation delay - Channel A	EQ = Level 1 to Level 4		80		ps
HIGH SPEED OUTPUTS (B-CHANNELS)						
$V_{TXB-diff1-pp}$	Output Voltage Differential Swing	Differential measurement with OUTB_n+ and OUTB_n-, AC-Coupled and terminated by 50Ω to GND, Inputs AC-Coupled, VID = 1.0 Vp-p, MODE_B = 1, DEMB1 = 0, DEMB0 = 1 ⁽²⁾	0.8	1.0	1.2	Vp-p
$V_{TXB-diff2-pp}$	Output Voltage Differential Swing	Differential measurement with OUTB_n+ and OUTB_n-, AC-Coupled and terminated by 50Ω to GND, Inputs AC-Coupled, VID = 1.0 Vp-p, MODE_B = 0, DEMB1 = 0, DEMB0 = R	670	820	930	mVp-p
$V_{TXB-diff3-pp}$	Output Voltage Differential Swing	Differential measurement with OUTB_n+ and OUTB_n-, AC-Coupled and terminated by 50Ω to GND, Inputs AC-Coupled, VID = 1.0 Vp-p, MODE_B = 0, DEMB1 = R, DEMB0 = FLOAT	950	1140	1250	mVp-p

- (2) In SAS-3 and PCIe GEN3 mode, the output VOD level is not fixed. It will be adjusted automatically based on the VID input amplitude level. The output VOD level set by DEMA/B[1:0] in this mode BOUTn is dependent on the VID level and the frequency content. The DS125BR401A repeater is designed to be transparent in this mode, so the TX-FIR (de-emphasis) is passed to the RX to support the handshake negotiation link training.

Electrical Characteristics (continued)

PARAMETER	TEST CONDITIONS	MIN	TYP	MAX	UNIT
$V_{\text{TXB-de-ratio}_{3.5}}$	TX de-emphasis ratio		-3.5		dB
$V_{\text{TXB-de-ratio}_{6}}$	TX de-emphasis ratio		-6		dB
$T_{\text{TXB-IDLE-DATA}}$	Time to transition to valid differential signal after idle	VID = 1.0 Vp-p, 3 Gbps	3.5		ns
$T_{\text{TXB-DATA-IDLE}}$	Time to transition to idle after differential signal	VID = 1.0 Vp-p, 3 Gbps	5.0		ns
T_{PDEQB}	Differential propagation delay - Channel B	EQ = 00 ⁽³⁾	135		ps
EQUALIZATION (A-CHANNELS)					
DJE1A	Residual deterministic jitter at 6 Gbps	5" Differential Stripline, 5mil trace width, FR4, VID = 0.8 Vp-p, PRBS15, EQ = 01'h, VOD = 1.3V, DEM = 0 dB	0.06		UI
DJE3A	Residual deterministic jitter at 12 Gbps	5" Differential Stripline, 5mil trace width, FR4, VID = 0.8 Vp-p, PRBS15, EQ = 01'h, VOD = 1.3V, DEM = 0 dB	0.12		UI
EQUALIZATION (B-CHANNELS)					
DJE1B	Residual deterministic jitter at 12 Gbps	30" Differential Stripline, 5mil trace width, FR4, VID = 0.6 Vp-p, PRBS15, EQ = 07'h, DEM = 0 dB	0.18		UI
DJE2B	Residual deterministic jitter at 12 Gbps	5 meters 30 awg cable, VID = 0.6 Vp-p, PRBS15, EQ = 07'h, DEM = 0 dB	0.25		UI
DE-EMPHASIS (B-CHANNELS, GEN 1&2 MODE ONLY)					
DJD1	Residual deterministic jitter at 12 Gbps	Input Channel: 20" Differential Stripline, 5mil trace width, FR4, Output Channel: 10" Differential Stripline, 5mil trace width, FR4, VID = 0.6 Vp-p, PRBS15, EQ = 03'h, VOD = 1.0 Vp-p, DEMB = -3.5 dB	0.1		UI

(3) Propagation Delay measurements will change slightly based on the level of EQ selected. EQ = 00 will result in the shortest propagation delays.

DS125BR401A

SNLS466A – SEPTEMBER 2013 – REVISED MARCH 2014

www.ti.com

6.6 Electrical Characteristics — Serial Management Bus Interface

Over recommended operating supply and temperature ranges unless other specified.

PARAMETER		TEST CONDITIONS	MIN	TYP	MAX	UNIT
SERIAL BUS INTERFACE DC SPECIFICATIONS						
V_{IL}	Data, Clock Input Low Voltage				0.8	V
V_{IH}	Data, Clock Input High Voltage		2.1		3.6	V
V_{OL}	Output Low Voltage	SDA or SCL, $I_{OL} = 1.25$ mA	0		0.36	V
V_{DD}	Nominal Bus Voltage		2.375		3.6	V
$I_{IH-Terminal}$	Input Leakage Per Device Terminal		+20		+150	μ A
$I_{IL-Terminal}$	Input Leakage Per Device Terminal		-160		-40	μ A
C_I	Capacitance for SDA and SCL	See ⁽¹⁾⁽²⁾		< 5		pF
R_{TERM}	External Termination Resistance pull to $V_{DD} = 2.5V \pm 5\%$ OR $3.3V \pm 10\%$	Pullup $V_{DD} = 3.3V^{(1)(2)(3)}$		2000		Ω
		Pullup $V_{DD} = 2.5V^{(1)(2)(3)}$		1000		Ω

(1) Recommended value.

(2) Recommended maximum capacitance load per bus segment is 400pF.

(3) Maximum termination voltage should be identical to the device supply voltage.

6.7 Timing Requirements Serial Bus Interface

PARAMETER		TEST CONDITIONS	MIN	TYP	MAX	UNIT
SERIAL BUS INTERFACE TIMING SPECIFICATIONS						
FSMB	Bus Operating Frequency	ENSMB = V_{DD} (Slave Mode)			400	kHz
		ENSMB = FLOAT (Master Mode)	280	400	520	kHz
t_{FALL}	SDA Fall Time	Read operation RPU = 4.7K, $C_b < 50$ pF		60		ns
t_{RISE}	SDA Rise Time	Read operation RPU = 4.7K, $C_b < 50$ pF		140		ns
t_F	Clock/Data Fall Time	See ⁽¹⁾			300	ns
t_R	Clock/Data Rise Time	See ⁽¹⁾			1000	ns

(1) Compliant to SMBus 2.0 physical layer specification. See System Management Bus (SMBus) Specification Version 2.0, section 3.1.1 SMBus common AC specifications for details.

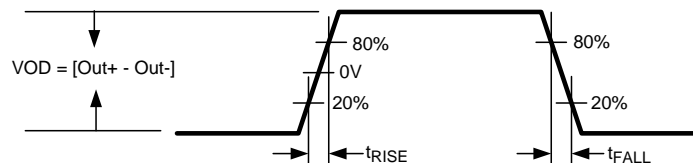


Figure 1. Output and Rise And Fall Transition Time

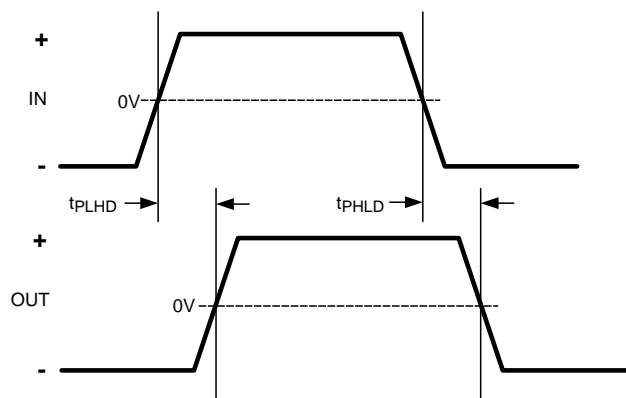


Figure 2. Propagation Delay Timing Diagram

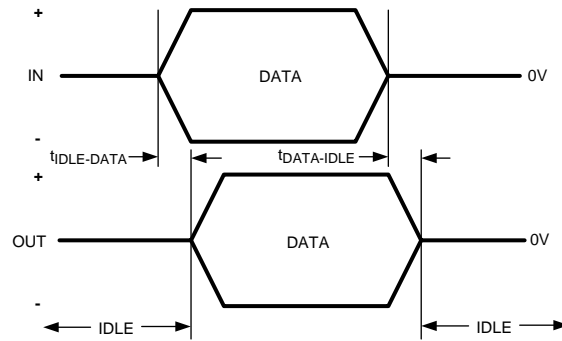


Figure 3. Transmit Idle-Data and Data-Idle Response Time

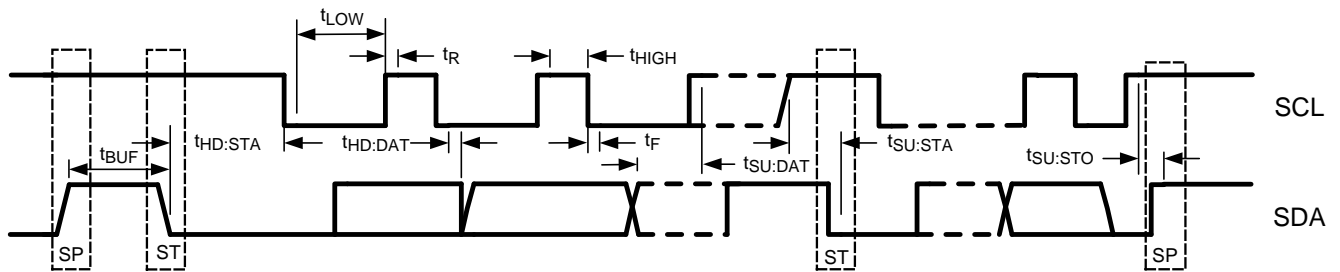


Figure 4. SMBus Timing Parameters

DS125BR401A

SNLS466A – SEPTEMBER 2013 – REVISED MARCH 2014

www.ti.com

6.8 Typical Characteristics

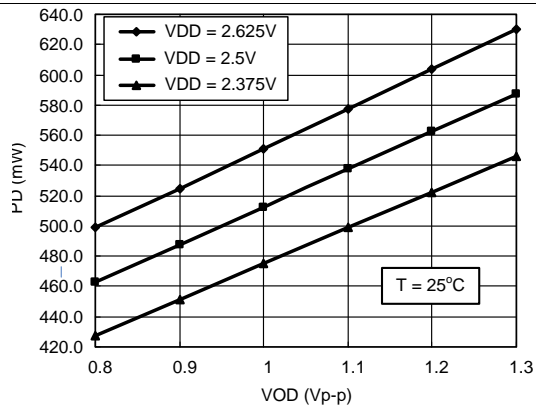


Figure 5. Typical Power Dissipation vs. Output Voltage Amplitude Setting

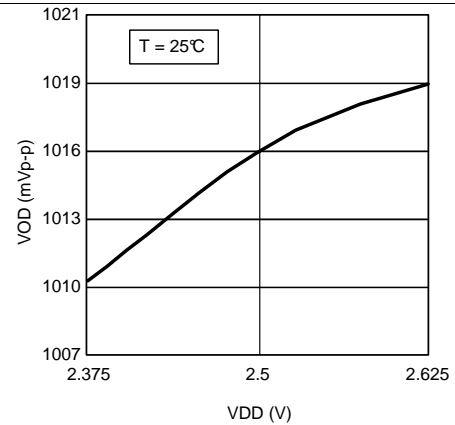


Figure 6. Channel-B Output Differential Voltage vs. VDD (VOD = 1000 mV setting)

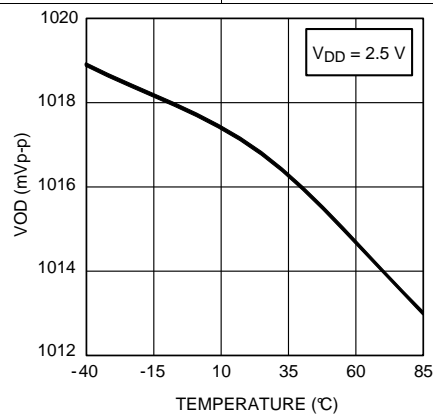


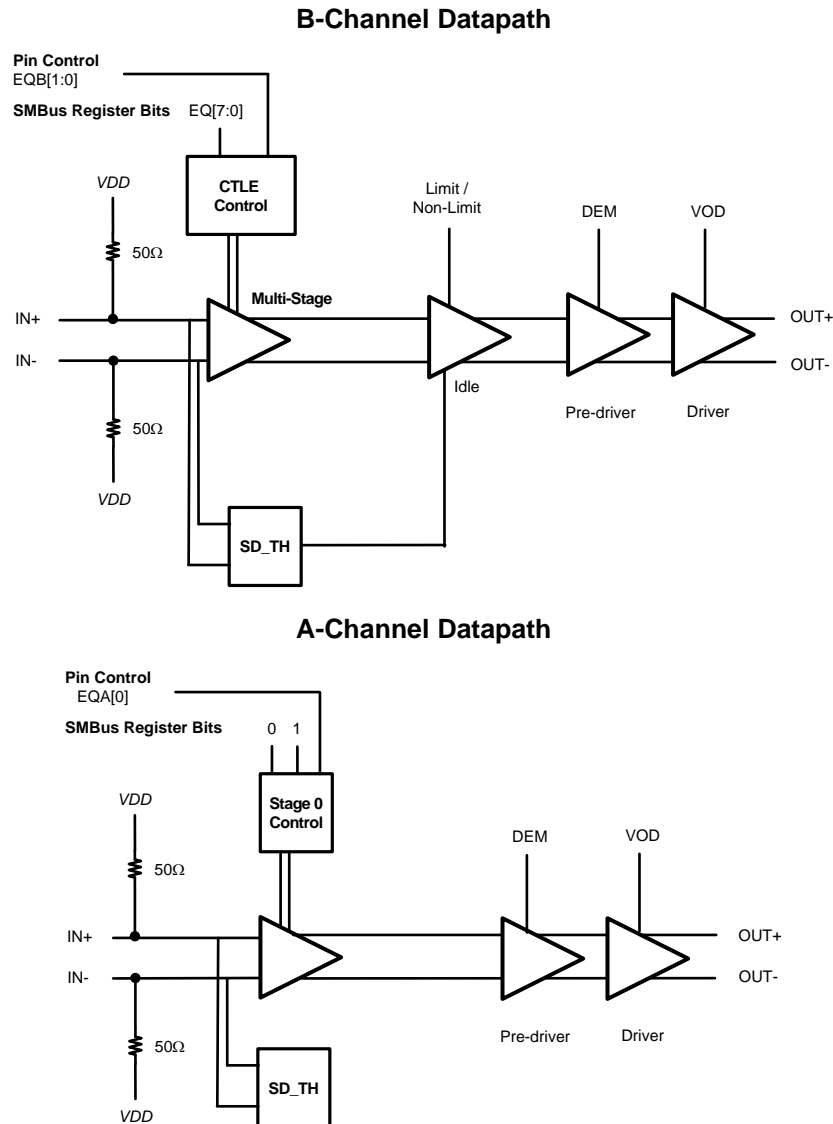
Figure 7. Channel-B Output Differential Voltage Vs. Temperature (VOD = 1000 mV setting)

7 Detailed Description

7.1 Overview

The DS125BR401A compensates for lossy FR-4 printed circuit board backplanes and balanced cables. The DS125BR401A operates in 3 modes: Terminal Control Mode (ENSMB = 0), SMBus Slave Mode (ENSMB = 1) and SMBus Master Mode (ENSMB = float) to load register information from external EEPROM; please refer to SMBus Master Mode for additional information.

7.2 Functional Block Diagram



7.2.1 Functional Datapath Blocks

The Channel-B datapath is designed to handle higher levels of input attenuation and includes an output with a soft-limiting function to provide some transparency for Rx-Tx training in SAS-3 and other standards. The Channel-A datapath has less input equalization coupled with a linear driver. This combination has a high level of transparency, achieving greater drive distance in SAS-3 applications which utilize Rx-Tx training. The asymmetrical channel design follows the application diagram in .

DS125BR401A

SNLS466A –SEPTEMBER 2013–REVISED MARCH 2014

www.ti.com

Functional Block Diagram (continued)

The Channel-A and Channel-B data-paths are optimized to work as a transparent driver and a transparent receiver. The typical DS125BR401A system placement breaks a long transmission line into two pieces. This often leads to one short and one long piece, this unequal partition places different demands on A and B-Channels. To maximize channel extension with the DS125BR401A, connect the A-Channel Inputs to the channel segment with the lowest attenuation to the SAS-3 Tx.

7.3 Feature Description

The 4-level input Terminals utilize a resistor divider to help set the 4 valid levels and provide a wider range of control settings when ENSMB=0. There is an internal 30K pull-up and a 60K pull-down connected to the package Terminal. These resistors, together with the external resistor connection combine to achieve the desired voltage level. Using the 1K pull-up, 1K pull-down, no connect, and 20K pull-down provide the optimal voltage levels for each of the four input states.

Table 1. 4-Level Control Terminal Settings

Level	Setting	3.3V Mode	2.5V Mode
0	Tie 1kΩ to GND	0.10 V	0.08 V
R	Tie 20kΩ to GND	$1/3 \times V_{IN}$	$1/3 \times V_{DD}$
Float	Float (leave Terminal open)	$2/3 \times V_{IN}$	$2/3 \times V_{DD}$
1	Tie 1kΩ to V_{IN} or V_{DD}	$V_{IN} - 0.05 \text{ V}$	$V_{DD} - 0.04 \text{ V}$

Typical 4-Level Input Thresholds

- Level 1 - 2 = $0.2 \times V_{IN}$ or V_{DD}
- Level 2 - 3 = $0.5 \times V_{IN}$ or V_{DD}
- Level 3 - 4 = $0.8 \times V_{IN}$ or V_{DD}

In order to minimize the startup current associated with the integrated 2.5V regulator the 1K pull-up / pull-down resistors are recommended. If several 4 level inputs require the same setting, it is possible to combine two or more 1K resistors into a single lower value resistor. As an example; combining two inputs with a single 500 Ohm resistor is a good way to save board space.

7.4 Device Functional Modes**7.4.1 Terminal Control Mode:**

When in Terminal mode (ENSMB = 0), equalization and de-emphasis can be selected via Terminal for each side independently. When de-emphasis is asserted VOD is automatically adjusted per [Table 7](#). For PCIe applications, the RXDET Terminals provides automatic and manual control for input termination (50Ω or >50KΩ). MODE_B setting is also Terminal controllable with Terminal selections (Gen 1/2, auto detect, and SAS-3 / PCIe Gen 3). The receiver electrical signal detect threshold is also adjustable via the SD_TH Terminal. For A-Side Channels this can only be used for status information, on B-Side Channels this threshold will determine when the output state, Mute if no signal is present or active with a valid input signal detected .

7.4.2 SMBus Mode:

When in SMBus mode (ENSMB = 1), the VOD (output amplitude), equalization, de-emphasis, and termination disable features are all programmable on a individual lane basis, instead of grouped by A or B as in the Terminal mode case. Upon assertion of ENSMB, the EQx and DEMx functions revert to register control immediately. The EQx and DEMx Terminals are converted to AD0-AD3 SMBus address inputs. The other external control Terminals (MODE_B, RXDET and SD_TH) remain active unless their respective registers are written to and the appropriate override bit is set, in which case they are ignored until ENSMB is driven low (Terminal mode). On power-up or when ENSMB is driven low all registers are reset to their default state. If PWDN is asserted while ENSMB is high, the registers retain their current state.

Device Functional Modes (continued)

Equalization settings accessible via the Terminal controls were chosen to meet the needs of most high speed applications. If additional fine tuning or adjustment is needed, additional equalization settings can be accessed via the SMBus registers. Each input has a total of 256 possible equalization settings. The tables show the 16 settings when the device is in Terminal mode. When using SMBus mode, the equalization, VOD and de-Emphasis levels are set by registers.

The 4-level input Terminals utilize a resistor divider to help set the 4 valid levels and provide a wider range of control settings when ENSMB=0. There is an internal 30K pull-up and a 60K pull-down connected to the package Terminal. These resistors, together with the external resistor connection combine to achieve the desired voltage level. Using the 1K pull-up, 1K pull-down, no connect, and 20K pull-down provide the optimal voltage levels for each of the four input states.

Table 2. RX-Detect Settings

PWDN (Terminal 52)	RXDET (Terminal 22)	SMBus REG Bit[3:2]	INPUT TERMINATION	RECOMMENDED USE	COMMENTS
0	0	00	Hi-Z	X	Manual RX-Detect, input is high impedance mode
0	Tie 20kΩ to GND	01	Pre Detect: Hi-Z Post Detect: 50 Ω	PCIe only	Auto RX-Detect, outputs test every 12 msec for 600 msec then stops; termination is Hi-Z until RX detection; once detected input termination is 50 Ω Reset function by pulsing PWDN high for 5 usec then low again
0	Float (Default)	10	Pre Detect: Hi-Z Post Detect: 50 Ω	PCIe only	Auto RX-Detect, outputs test every 12 msec until detection occurs; termination is Hi-Z until RX detection; once detected input termination is 50 Ω
0	1	11	50 Ω	All Others	Manual RX-Detect, input is 50 Ω
1	X		High Impedance	X	Power down mode, input is Hi-Z, output drivers are disabled Used to reset RX-Detect State Machine when held high for 5 usec

Table 3. OOB And Signal Detect Threshold Level⁽¹⁾

SD_TH (Terminal 26)	SMBus REG BIT [3:2] and [1:0]	[3:2] ASSERT LEVEL (mVp-p)		[1:0] DE-ASSERT LEVEL (mVp-p)	
		3 Gbps	12 Gbps	3 Gbps	12 Gbps
0	10	18	75	14	55
R	01	12	40	8	22
F (default)	00	15	50	11	37
1	11	16	58	12	45

(1) VDD = 2.5V, 25°C, 11 00 11 00 pattern at 3 Gbps and 101010 pattern at 12 Gbps

Table 4. Mode Operation With Terminal Control

MODE_B (Terminal 21)	Driver characteristics	PCIe	SAS SATA	10GbE	CPRI OBSAI	SRIO (R)XAUI	Interlaken Infiniband
0	Limiting		X (≤ 6G)	X	X	X	X
R	Transparent without DE						
F (default)	Automatic	X					
1	Transparent with DE		X (SAS-3)				

7.4.3 MODE operation with SMBus Registers

When in SMBus mode (Slave or Master), the MODE Terminal retains control of the output driver characteristics. In order to override this control function, Register 0x08[2] must be written with a "1". Writing this bit enables MODE control of each channel individually using the channel registers defined in Table 9. For Channel-A outputs the MODE control bit is not functional. The outputs are always in a linear mode of operation. Changing these bits while Register 0x08[2]=1 will dramatically reduce the output amplitude.

DS125BR401A

SNLS466A – SEPTEMBER 2013 – REVISED MARCH 2014

www.ti.com

7.5 Signal Conditioning Settings

Information in [Table 5](#) and [Table 6](#) shows the level of CTLE or equalization gain for Channel-B and Channel-A.

Table 5. B-Channel Equalizer Settings

Level	EQB1	EQB0	EQ – 8 bits [7:0]	dB at 1.5 GHz	dB at 2.5 GHz	dB at 4 GHz	dB at 6 GHz	Suggested Use ⁽¹⁾
1	0	0	0000 0000 = 0x00	2.5	3.5	3.8	3.1	FR4 < 5 inch trace
2	0	R	0000 0001 = 0x01	3.8	5.4	6.7	6.7	FR4 5-10 inch trace
3	0	Float	0000 0010 = 0x02	5.0	7.0	8.4	8.4	FR4 10 inch trace
4	0	1	0000 0011 = 0x03	5.9	8.0	9.3	9.1	FR4 15-20 inch trace
5	R	0	0000 0111 = 0x07	7.4	10.3	12.8	13.7	FR4 20-30 inch trace
6	R	R	0001 0101 = 0x15	6.9	10.2	13.9	16.2	FR4 25-30 inch trace
7	R	Float	0000 1011 = 0x0B	9.0	12.4	15.3	15.9	FR4 25-30 inch trace
8	R	1	0000 1111 = 0x0F	10.2	13.8	16.7	17.0	8m, 30awg cable
9	Float	0	0101 0101 = 0x55	8.5	12.6	17.5	20.7	> 8m cable
10	Float	R	0001 1111 = 0x1F	11.7	16.2	20.3	21.8	
11	Float	Float	0010 1111 = 0x2F	13.2	18.3	22.8	23.6	
12	Float	1	0011 1111 = 0x3F	14.4	19.8	24.2	24.7	
13	1	0	1010 1010 = 0xAA	14.4	20.5	26.4	28.0	
14	1	R	0111 1111 = 0x7F	16.0	22.2	27.8	29.2	
15	1	Float	1011 1111 = 0xBF	17.6	24.4	30.2	30.9	
16	1	1	1111 1111 = 0xFF	18.7	25.8	31.6	31.9	

(1) Cable and FR4 lengths are for reference only. FR4 lengths based on a 100 Ohm differential stripline with 5-mil traces and 8-mil trace separation. Optimal EQ setting should be determined via simulation and prototype verification.

Table 6. A-Channel Equalizer Settings

Level	EQA1	EQA0	EQ – 8 bits [7:0]	dB at 1.5 GHz	dB at 2.5 GHz	dB at 4 GHz	dB at 6 GHz	Suggested Use ⁽¹⁾
1	N/A	0	xxxx xx00 = 0x00	2.5	3.5	3.8	3.1	
2	N/A	R	xxxx xx01 = 0x01	3.8	5.4	6.7	6.7	
3	N/A	Float	xxxx xx10 = 0x02	5.0	7.0	8.4	8.4	
4	N/A	1	xxxx xx11 = 0x03	5.9	8.0	9.3	9.1	SAS-3

(1) Cable and FR4 lengths are for reference only. FR4 lengths based on a 100 Ohm differential stripline with 5-mil traces and 8-mil trace separation. Optimal EQ setting should be determined via simulation and prototype verification.

Table 7. B-Channel Output Voltage And De-Emphasis Settings

Level	DEMB1	DEMB0	VOD Vp-p	DEM dB ⁽¹⁾	Inner Amplitude Vp-p	Suggested Use ⁽²⁾
1	0	0	0.8	0	0.8	FR4 <5 inch trace
2	0	R	0.9	0	0.9	FR4 <5 inch trace
3	0	Float	0.9	- 3.5	0.6	FR4 10 inch trace
4	0	1	1.0	0	1.0	FR4 <5 inch trace
5	R	0	1.0	- 3.5	0.7	FR4 10 inch trace
6	R	R	1.0	- 6	0.5	FR4 15 inch trace
7	R	Float	1.1	0	1.1	FR4 <5 inch trace
8	R	1	1.1	- 3.5	0.7	FR4 10 inch trace
9	Float	0	1.1	- 6	0.6	FR4 15 inch trace
10	Float	R	1.2	0	1.2	FR4 <5 inch trace
11	Float	Float	1.2	- 3.5	0.8	FR4 10 inch trace
12	Float	1	1.2	- 6	0.6	FR4 15 inch trace
13	1	0	1.3	0	1.3	FR4 <5 inch trace
14	1	R	1.3	- 3.5	0.9	FR4 10 inch trace
15	1	Float	1.3	- 6	0.7	FR4 15 inch trace
16	1	1	1.3	- 9	0.5	FR4 20 inch trace

(1) The VOD output amplitude and DEM de-emphasis levels are set with the DEMB[1:0] Terminals.

(2) FR4 lengths are for reference only. FR4 lengths based on a 100 Ohm differential stripline with 5-mil traces and 8-mil trace separation. Optimal DEM settings should be determined via simulation and prototype verification.

Table 8. A-Channel Output Voltage And De-Emphasis Settings

Level	DEMA1	DEMA0	VID Vp-p	DEM Setting ⁽¹⁾	VOD Vp-p
1	0	0	1.0	0	0.70
2	0	R	1.0	0	0.78
4	0	1	1.0	0	0.83
7	R	Float	1.0	0	0.88
10	Float	R	1.0	0	0.91
13	1	0	1.0	0	1.00

(1) The VOD output amplitude is set with the DEMA[1:0] Terminals. For SAS-3 operation the DEM level is typically left at 0 dB (SMBus control = 000'b) in order to keep the output dynamic range as large as possible. DEM settings other than 0 dB or 000'b will decrease the output dynamic range and act to limit the OUTA VOD. When operating in Terminal Mode in a SAS3 environment it is recommended to use DEMA[1:0] = 10'b.

Table 9. EEPROM Register Map - Single Device With Default Value

EEPROM Address Byte		Bit 7	Bit 6	Bit 5	Bit 4	Bit 3	Bit 2	Bit 1	Bit 0
Description	0	CRC EN	Address Map Present	EEPROM > 256 Bytes	RES	DEVICE COUNT[3]	DEVICE COUNT[2]	DEVICE COUNT[1]	DEVICE COUNT[0]
Value		00	0	0	0	0	0	0	0
Description	1	RES	RES	RES	RES	RES	RES	RES	RES
Value		00	0	0	0	0	0	0	0
Description	2	Max EEPROM Burst size[7]	Max EEPROM Burst size[6]	Max EEPROM Burst size[5]	Max EEPROM Burst size[4]	Max EEPROM Burst size[3]	Max EEPROM Burst size[2]	Max EEPROM Burst size[1]	Max EEPROM Burst size[0]
Value		00	0	0	0	0	0	0	0
Description	3	PWDN_CH7	PWDN_CH6	PWDN_CH5	PWDN_CH4	PWDN_CH3	PWDN_CH2	PWDN_CH1	PWDN_CH0
SMBus Register		0x01 [7]	0x01 [6]	0x01 [5]	0x01 [4]	0x01 [3]	0x01 [2]	0x01 [1]	0x01 [0]
Value		00	0	0	0	0	0	0	0
Description	4	Reserved	Reserved	Reserved	Reserved	Ovrd_PWDN	CH7_EQ_LIM	CH6_EQ_LIM	CH5_EQ_LIM
SMBus Register		0x02 [5]	0x02 [4]	0x02 [3]	0x02 [2]	0x02 [0]	0x04 [7]	0x04 [6]	0x04 [5]
Value		00	0	0	0	0	0	0	0
Description	5	CH4_EQ_LIM	CH3_EQ_LIM	CH2_EQ_LIM	CH1_EQ_LIM	CH0_EQ_LIM	rxdet_btb_en	Ovrd_SD_TH	Reserved
SMBus Register		0x04 [4]	0x04 [3]	0x04 [2]	0x04 [1]	0x04 [0]	0x06 [4]	0x08 [6]	0x08 [5]
Value		04	0	0	0	0	1	0	0
Description	6	Ovrd_IDLE	Ovrd_RX_DET	Ovrd_MODE	Reserved	Reserved	rxdet_delay_2	rxdet_delay_1	rxdet_delay_0
SMBus Register		0x08 [4]	0x08 [3]	0x08 [2]	0x08 [1]	0x08 [0]	0x0B [6]	0x0B [5]	0x0B [4]
Value		07	0	0	0	0	1	1	1
Description	7	rate_delay_3	rate_delay_2	rate_delay_1	rate_delay_0	CH0_Idle_auto	CH0_Idle_sel	CH0_Rxdet_1	CH0_Rxdet_0
SMBus Register		0x0B [3]	0x0B [2]	0x0B [1]	0x0B [0]	0x0E [5]	0x0E [4]	0x0E [3]	0x0E [2]
Value		00	0	0	0	0	0	0	0
Description	8	CH0_EQ_7	CH0_EQ_6	CH0_EQ_5	CH0_EQ_4	CH0_EQ_3	CH0_EQ_2	CH0_EQ_1	CH0_EQ_0
SMBus Register		0x0F [7]	0x0F [6]	0x0F [5]	0x0F [4]	0x0F [3]	0x0F [2]	0x0F [1]	0x0F [0]
Value		2F	0	0	1	0	1	1	1
Description	9	CH0_SCP	CH0_MODE	Reserved	Reserved	Reserved	CH0_VOD_2	CH0_VOD_1	CH0_VOD_0
SMBus Register		0x10 [7]	0x10 [6]	0x10 [5]	0x10 [4]	0x10 [3]	0x10 [2]	0x10 [1]	0x10 [0]
Value		AD	1	0	1	0	1	1	0

DS125BR401A

SNLS466A –SEPTEMBER 2013–REVISED MARCH 2014

www.ti.com**Table 9. EEPROM Register Map - Single Device With Default Value (continued)**

EEPROM Address Byte		Bit 7	Bit 6	Bit 5	Bit 4	Bit 3	Bit 2	Bit 1	Bit 0
Description	A	CH0_DEM_2	CH0_DEM_1	CH0_DEM_0	Reserved	CH0_THa_1	CH0_THa_0	CH0_THd_1	CH0_THd_0
SMBus Register		0x11 [2]	0x11 [1]	0x11 [0]	0x12 [7]	0x12 [3]	0x12 [2]	0x12 [1]	0x12 [0]
Value		40	0	1	0	0	0	0	0
Description	B	CH1_Idle_auto	CH1_Idle_sel	CH1_Rxdet_1	CH1_Rxdet_0	CH1_EQ_7	CH1_EQ_6	CH1_EQ_5	CH1_EQ_4
SMBus Register		0x15 [5]	0x15 [4]	0x15 [3]	0x15 [2]	0x16 [7]	0x16 [6]	0x16 [5]	0x16 [4]
Value		02	0	0	0	0	0	1	0
Description	C	CH1_EQ_3	CH1_EQ_2	CH1_EQ_1	CH1_EQ_0	CH1_SCP	CH1_MODE	Reserved	Reserved
SMBus Register		0x16 [3]	0x16 [2]	0x16 [1]	0x16 [0]	0x17 [7]	0x17 [6]	0x17 [5]	0x17 [4]
Value		FA	1	1	1	1	1	0	1
Description	D	Reserved	CH1_VOD_2	CH1_VOD_1	CH1_VOD_0	CH1_DEM_2	CH1_DEM_1	CH1_DEM_0	Reserved
SMBus Register		0x17 [3]	0x17 [2]	0x17 [1]	0x17 [0]	0x18 [2]	0x18 [1]	0x18 [0]	0x19 [7]
Value		D4	1	1	0	1	0	1	0
Description	E	CH1_THa_1	CH1_THa_0	CH1_THd_1	CH1_THd_0	CH2_Idle_auto	CH2_Idle_sel	CH2_Rxdet_1	CH2_Rxdet_0
SMBus Register		0x19 [3]	0x19 [2]	0x19 [1]	0x19 [0]	0x1C [5]	0x1C [4]	0x1C [3]	0x1C [2]
Value		00	0	0	0	0	0	0	0
Description	F	CH2_EQ_7	CH2_EQ_6	CH2_EQ_5	CH2_EQ_4	CH2_EQ_3	CH2_EQ_2	CH2_EQ_1	CH2_EQ_0
SMBus Register		0x1D [7]	0x1D [6]	0x1D [5]	0x1D [4]	0x1D [3]	0x1D [2]	0x1D [1]	0x1D [0]
Value		2F	0	0	1	0	1	1	1
Description	10	CH2_SCP	CH2_MODE	Reserved	Reserved	Reserved	CH2_VOD_2	CH2_VOD_1	CH2_VOD_0
SMBus Register		0x1E [7]	0x1E [6]	0x1E [5]	0x1E [4]	0x1E [3]	0x1E [2]	0x1E [1]	0x1E [0]
Value		AD	1	0	1	0	1	1	0
Description	11	CH2_DEM_2	CH2_DEM_1	CH2_DEM_0	Reserved	CH2_THa_1	CH2_THa_0	CH2_THd_1	CH2_THd_0
SMBus Register		0x1F [2]	0x1F [1]	0x1F [0]	0x20 [7]	0x20 [3]	0x20 [2]	0x20 [1]	0x20 [0]
Value		40	0	1	0	0	0	0	0
Description	12	CH3_Idle_auto	CH3_Idle_sel	CH3_Rxdet_1	CH3_Rxdet_0	CH3_EQ_7	CH3_EQ_6	CH3_EQ_5	CH3_EQ_4
SMBus Register		0x23 [5]	0x23 [4]	0x23 [3]	0x23 [2]	0x24 [7]	0x24 [6]	0x24 [5]	0x24 [4]
Value		02	0	0	0	0	0	1	0
Description	13	CH3_EQ_3	CH3_EQ_2	CH3_EQ_1	CH3_EQ_0	CH3_SCP	CH3_MODE	Reserved	Reserved
SMBus Register		0x24 [3]	0x24 [2]	0x24 [1]	0x24 [0]	0x25 [7]	0x25 [6]	0x25 [5]	0x25 [4]
Value		FA	1	1	1	1	1	0	1

Table 9. EEPROM Register Map - Single Device With Default Value (continued)

EEPROM Address Byte		Bit 7	Bit 6	Bit 5	Bit 4	Bit 3	Bit 2	Bit 1	Bit 0
Description	14	Reserved	CH3_VOD_2	CH3_VOD_1	CH3_VOD_0	CH3_DEM_2	CH3_DEM_1	CH3_DEM_0	Reserved
SMBus Register		0x25 [3]	0x25 [2]	0x25 [1]	0x25 [0]	0x26 [2]	0x26 [1]	0x26 [0]	0x27 [7]
Value		D4	1	1	0	1	0	1	0
Description	15	CH3_THa_1	CH3_THa_0	CH3_THd_1	CH3_THd_0	ovrd_fast_idle	hi_idle_th CH0-3	hi_idle_thCH4-7	fast_idle CH0-3
SMBus Register		0x27 [3]	0x27 [2]	0x27 [1]	0x27 [0]	0x28 [6]	0x28 [5]	0x28 [4]	0x28 [3]
Value		09	0	0	0	0	1	0	0
Description	16	fast_idle CH4-7	low_gain CH0-3	low_gain CH4-7	CH4_Idle_auto	CH4_Idle_sel	CH4_Rxdet_1	CH4_Rxdet_0	Reserved
SMBus Register		0x28 [2]	0x28 [1]	0x28 [0]	0x2B [5]	0x2B [4]	0x2B [3]	0x2B [2]	0x2C [7]
Value		80	1	0	0	0	0	0	0
Description	17	Reserved	Reserved	Reserved	Reserved	Reserved	CH4_EQ_1	CH4_EQ_0	CH4_SCP
SMBus Register		0x2C [6]	0x2C [5]	0x2C [4]	0x2C [3]	0x2C [2]	0x2C [1]	0x2C [0]	0x2D [7]
Value		5F	0	1	0	1	1	1	1
Description	18	Reserved	Reserved	Reserved	Reserved	CH4_VOD_2	CH4_VOD_1	CH4_VOD_0	CH4_DEM_2
SMBus Register		0x2D [6]	0x2D [5]	0x2D [4]	0x2D [3]	0x2D [2]	0x2D [1]	0x2D [0]	0x2E [2]
Value		5A	0	1	0	1	1	0	1
Description	19	CH4_DEM_1	CH4_DEM_0	Reserved	CH4_THa_1	CH4_THa_0	CH4_THd_1	CH4_THd_0	CH5_Idle_auto
SMBus Register		0x2E [1]	0x2E [0]	0x2F [7]	0x2F [3]	0x2F [2]	0x2F [1]	0x2F [0]	0x32 [5]
Value		80	1	0	0	0	0	0	0
Description	1A	CH5_Idle_sel	CH5_Rxdet_1	CH5_Rxdet_0	Reserved	Reserved	Reserved	Reserved	Reserved
SMBus Register		0x32 [4]	0x32 [3]	0x32 [2]	0x33 [7]	0x33 [6]	0x33 [5]	0x33 [4]	0x33 [3]
Value		05	0	0	0	0	1	0	1
Description	1B	Reserved	CH5_EQ_1	CH5_EQ_0	CH5_SCP	Reserved	Reserved	Reserved	Reserved
SMBus Register		0x33 [2]	0x33 [1]	0x33 [0]	0x34 [7]	0x34 [6]	0x34 [5]	0x34 [4]	0x34 [3]
Value		F5	1	1	1	1	0	1	0
Description	1C	CH5_VOD_2	CH5_VOD_1	CH5_VOD_0	CH5_DEM_2	CH5_DEM_1	CH5_DEM_0	Reserved	CH5_THa_1
SMBus Register		0x34 [2]	0x34 [1]	0x34 [0]	0x35 [2]	0x35 [1]	0x35 [0]	0x36 [7]	0x36 [3]
Value		A8	1	0	1	0	1	0	0
Description	1D	CH5_THa_0	CH5_THd_1	CH5_THd_0	CH6_Idle_auto	CH6_Idle_sel	CH6_Rxdet_1	CH6_Rxdet_0	Reserved
SMBus Register		0x36 [2]	0x36 [1]	0x36 [0]	0x39 [5]	0x39 [4]	0x39 [3]	0x39 [2]	0x3A [7]
Value		00	0	0	0	0	0	0	0

DS125BR401A

SNLS466A – SEPTEMBER 2013 – REVISED MARCH 2014

www.ti.com**Table 9. EEPROM Register Map - Single Device With Default Value (continued)**

EEPROM Address Byte		Bit 7	Bit 6	Bit 5	Bit 4	Bit 3	Bit 2	Bit 1	Bit 0
Description	1E	Reserved	Reserved	Reserved	Reserved	Reserved	CH6_EQ_1	CH6_EQ_0	CH6_SCP
SMBus Register		0x3A [6]	0x3A [5]	0x3A [4]	0x3A [3]	0x3A [2]	0x3A [1]	0x3A [0]	0x3B [7]
Value		5F	0	1	0	1	1	1	1
Description	1F	Reserved	Reserved	Reserved	Reserved	CH6_VOD_2	CH6_VOD_1	CH6_VOD_0	CH6_DEM_2
SMBus Register		0x3B [6]	0x3B [5]	0x3B [4]	0x3B [3]	0x3B [2]	0x3B [1]	0x3B [0]	0x3C [2]
Value		5A	0	1	0	1	1	0	1
Description	20	CH6_DEM_1	CH6_DEM_0	Reserved	CH6_THa_1	CH6_THa_0	CH6_THd_1	CH6_THd_0	CH7_Idle_auto
SMBus Register		0x3C [1]	0x3C [0]	0x3D [7]	0x3D [3]	0x3D [2]	0x3D [1]	0x3D [0]	0x40 [5]
Value		80	1	0	0	0	0	0	0
Description	21	CH7_Idle_sel	CH7_Rxdet_1	CH7_Rxdet_0	Reserved	Reserved	Reserved	Reserved	Reserved
SMBus Register		0x40 [4]	0x40 [3]	0x40 [2]	0x41 [7]	0x41 [6]	0x41 [5]	0x41 [4]	0x41 [3]
Value		05	0	0	0	0	0	1	0
Description	22	Reserved	CH7_EQ_1	CH7_EQ_0	CH7_SCP	Reserved	Reserved	Reserved	Reserved
SMBus Register		0x41 [2]	0x41 [1]	0x41 [0]	0x42 [7]	0x42 [6]	0x42 [5]	0x42 [4]	0x42 [3]
Value		F5	1	1	1	1	0	1	0
Description	23	CH7_VOD_2	CH7_VOD_1	CH7_VOD_0	CH7_DEM_2	CH7_DEM_1	CH7_DEM_0	Reserved	CH7_THa_1
SMBus Register		0x42 [2]	0x42 [1]	0x42 [0]	0x43 [2]	0x43 [1]	0x43 [0]	0x44 [7]	0x44 [3]
Value		A8	1	0	1	0	1	0	0
Description	24	CH7_THa_0	CH7_THd_1	CH7_THd_0	Reserved	Reserved	Reserved	Reserved	Reserved
SMBus Register		0x44 [2]	0x44 [1]	0x44 [0]	0x47 [3]	0x47 [2]	0x47 [2]	0x47 [0]	0x48 [7]
Value		00	0	0	0	0	0	0	0
Description	25	Reserved	Reserved	Reserved	Reserved	Reserved	Reserved	Reserved	Reserved
SMBus Register		0x48 [6]	0x4C [7]	0x4C [6]	0x4C [5]	0x4C [4]	0x4C [3]	0x4C [0]	0x59 [0]
Value		00	0	0	0	0	0	0	0
Description	26	Reserved	Reserved	Reserved	Reserved	Reserved	Reserved	Reserved	Reserved
SMBus Register		0x5A [7]	0x5A [6]	0x5A [5]	0x5A [4]	0x5A [3]	0x5A [2]	0x5A [1]	0x5A [0]
Value		54	0	1	0	1	0	1	0
Description	27	Reserved	Reserved	Reserved	Reserved	Reserved	Reserved	Reserved	Reserved
SMBus Register		0x5B [7]	0x5B [6]	0x5B [5]	0x5B [4]	0x5B [3]	0x5B [2]	0x5B [1]	0x5B [0]
Value		54	0	1	0	1	0	1	0

Table 10. Example Of EEPROM For Four Devices Using Two Address Maps

EEPROM Address	Address (Hex)	EEPROM Data	Comments
0	00	0x43	CRC_EN = 0, Address Map = 1, >256 bytes = 0, Device Count[3:0] = 3
1	01	0x00	
2	02	0x08	EEPROM Burst Size
3	03	0x00	CRC not used
4	04	0x0B	Device 0 Address Location
5	05	0x00	CRC not used
6	06	0x0B	Device 1 Address Location
7	07	0x00	CRC not used
8	08	0x30	Device 2 Address Location
9	09	0x00	CRC not used
10	0A	0x30	Device 3 Address Location
11	0B	0x00	Begin Device 0, 1 - Address Offset 3
12	0C	0x00	
13	0D	0x04	
14	0E	0x07	
15	0F	0x00	
16	10	0x01	EQ CHB0 = 01
17	11	0xAD	VOD CHB0 = 1.2V
18	12	0x00	DEM CHB0 = 0 (0dB)
19	13	0x00	EQ CHB1 = 01
20	14	0x1A	VOD CHB1 = 1.2V
21	15	0xD0	DEM CHB1 = 0 (0dB)
22	16	0x00	
23	17	0x01	EQ CHB2 = 01
24	18	0xAD	VOD CHB2 = 1.2V
25	19	0x00	DEM CHB2 = 0 (0dB)
26	1A	0x00	EQ CHB3 = 01
27	1B	0x1A	VOD CHB3 = 1.2V
28	1C	0xD0	DEM CHB3 = 0 (0dB)
29	1D	0x09	Signal Detect Control
30	1E	0x80	Signal Detect Control
31	1F	0x07	EQ CHA0 = 03
32	20	0x5E	VOD CHA0 = 111'b
33	21	0x00	DEM CHA0 = 0 (0dB)
34	22	0x00	EQ CHA1 = 03
35	23	0x75	VOD CHA1 = 111'b
36	24	0xE0	DEM CHA1 = 0 (0dB)
37	25	0x00	
38	26	0x07	EQ CHA2 = 03
39	27	0x5E	VOD CHA2 = 1.4V
40	28	0x00	DEM CHA2 = 0 (0dB)
41	29	0x00	EQ CHA3 = 03
42	2A	0x75	VOD CHA3 = 111'b
43	2B	0xE0	DEM CHA3 = 0 (0dB)
44	2C	0x00	
45	2D	0x00	
46	2E	0x54	

DS125BR401A

SNLS466A – SEPTEMBER 2013 – REVISED MARCH 2014

www.ti.com**Table 10. Example Of EEPROM For Four Devices Using Two Address Maps (continued)**

EEPROM Address	Address (Hex)	EEPROM Data	Comments
47	2F	0x54	End Device 0, 1 - Address Offset 39
48	30	0x00	Begin Device 2, 3 - Address Offset 3
49	31	0x00	
50	32	0x04	
51	33	0x07	
52	34	0x00	
53	35	0x01	EQ CHB0 = 01
54	36	0xAB	VOD CHB0 = 1.0V
55	37	0x00	DEM CHB0 = 0 (0dB)
56	38	0x00	EQ CHB1 = 01
57	39	0x1A	VOD CHB1 = 1.0V
58	3A	0xB0	DEM CHB1 = 0 (0dB)
59	3B	0x00	
60	3C	0x01	EQ CHB2 = 01
61	3D	0xAB	VOD CHB2 = 1.0V
62	3E	0x00	DEM CHB2 = 0 (0dB)
63	3F	0x00	EQ CHB3 = 01
64	40	0x1A	VOD CHB3 = 1.0V
65	41	0xB0	DEM CHB3 = 0 (0dB)
66	42	0x09	Signal Detect Control
67	43	0x80	Signal Detect Control
68	44	0x03	EQ CHA0 = 01
69	45	0x5E	VOD CHA0 = 111'b
70	46	0x00	DEM CHA0 = 0 (0dB)
71	47	0x00	EQ CHA1 = 01
72	48	0x35	VOD CHA1 = 111'b
73	49	0xE0	DEM CHA1 = 0 (0dB)
74	4A	0x00	
75	4B	0x03	EQ CHA2 = 01
76	4C	0x5E	VOD CHA2 = 111'b
77	4D	0x00	DEM CHA2 = 0 (0dB)
78	4E	0x00	EQ CHA3 = 01
79	4F	0x35	VOD CHA3 = 111'b
80	50	0xE0	DEM CHA3 = 0 (0dB)
81	51	0x00	
82	52	0x00	
83	53	0x54	
84	54	0x54	End Device 2, 3 - Address Offset 39

Note: CRC_EN = 0, Address Map = 1, >256 byte = 0, Device Count[3:0] = 3. Multiple devices can point to the same address map. Maximum EEPROM size is 8 kbits (1024 x 8-bits).

7.7 Register Maps

The System Management Bus interface is compatible to SMBus 2.0 physical layer specification. ENSMB = 1k Ω to VDD to enable SMBus slave mode and allow access to the configuration registers.

The DS125BR401A has the AD[3:0] inputs in SMBus mode. These Terminals are the user set SMBus slave address inputs. The AD[3:0] Terminals have internal pull-down. When left floating or pulled low the AD[3:0] = 0000'b, the device default address byte is B0'h. Based on the SMBus 2.0 specification, the DS125BR401A has a 7-bit slave address. The LSB is set to 0'b (for a WRITE). The device supports up to 16 address byte, which can be set with the AD[3:0] inputs. Below are the 16 addresses.

Table 11. Device Slave Address Bytes

AD[3:0] Settings	Address Bytes (HEX)
0000	B0
0001	B2
0010	B4
0011	B6
0100	B8
0101	BA
0110	BC
0111	BE
1000	C0
1001	C2
1010	C4
1011	C6
1100	C8
1101	CA
1110	CC
1111	CE

The SDA, SCL Terminals are 3.3V tolerant, but are not 5V tolerant. External pull-up resistor is required on the SDA. The resistor value can be from 1 k Ω to 5 k Ω depending on the voltage, loading and speed. The SCL may also require an external pull-up resistor and it depends on the Host that drives the bus.

7.7.1 Transfer Of Data Via The SMBus

During normal operation the data on SDA must be stable during the time when SCL is High.

There are three unique states for the SMBus:

START: A High-to-Low transition on SDA while SCL is High indicates a message START condition.

STOP: A Low-to-High transition on SDA while SCL is High indicates a message STOP condition.

IDLE: If SCL and SDA are both High for a time exceeding t_{BUF} from the last detected STOP condition or if they are High for a total exceeding the maximum specification for t_{HIGH} then the bus will transfer to the IDLE state.

7.7.2 SMBus Transactions

The device supports WRITE and READ transactions. See [Table 12](#) for register address, type (Read/Write, Read Only), default value and function information.

DS125BR401A

SNLS466A – SEPTEMBER 2013 – REVISED MARCH 2014

www.ti.com

7.7.3 Writing a Register

To write a register, the following protocol is used (see SMBus 2.0 specification).

1. The Host drives a START condition, the 7-bit SMBus address, and a “0” indicating a WRITE.
2. The Device (Slave) drives the ACK bit (“0”).
3. The Host drives the 8-bit Register Address.
4. The Device drives an ACK bit (“0”).
5. The Host drive the 8-bit data byte.
6. The Device drives an ACK bit (“0”).
7. The Host drives a STOP condition.

The WRITE transaction is completed, the bus goes IDLE and communication with other SMBus devices may now occur.

7.7.4 Reading a Register

To read a register, the following protocol is used (see SMBus 2.0 specification).

1. The Host drives a START condition, the 7-bit SMBus address, and a “0” indicating a WRITE.
2. The Device (Slave) drives the ACK bit (“0”).
3. The Host drives the 8-bit Register Address.
4. The Device drives an ACK bit (“0”).
5. The Host drives a START condition.
6. The Host drives the 7-bit SMBus Address, and a “1” indicating a READ.
7. The Device drives an ACK bit “0”.
8. The Device drives the 8-bit data value (register contents).
9. The Host drives a NACK bit “1” indicating end of the READ transfer.
10. The Host drives a STOP condition.

The READ transaction is completed, the bus goes IDLE and communication with other SMBus devices may now occur.

[Table 12](#) for more information.

Table 12. SMBus Slave Mode Register Map

Address	Register Name	Bit	Field	Type	Default	Description
0x00	Observation	7	Reserved	R/W	0x00	Set bit to 0.
		6:3	Address Bit AD[3:0]	R		Observation of AD[3:0] bits [6]: AD3 [5]: AD2 [4]: AD1 [3]: AD0
		2	EEPROM Read Done	R		1: Device completed the read from external EEPROM.
		1	Reserved	R/W		Set bit to 0.
		0	Reserved	R/W		Set bit to 0.
0x01	PWDN Channels	7:0	PWDN CHx	R/W	0x00	Power Down per Channel [7]: CH7 – CHA_3 [6]: CH6 – CHA_2 [5]: CH5 – CHA_1 [4]: CH4 – CHA_0 [3]: CH3 – CHB_3 [2]: CH2 – CHB_2 [1]: CH1 – CHB_1 [0]: CH0 – CHB_0 00'h = all channels enabled FF'h = all channels disabled Note: override PWDN Terminal.

Table 12. SMBus Slave Mode Register Map (continued)

Address	Register Name	Bit	Field	Type	Default	Description
0x02	Override PWDN	7:1	Reserved	R/W	0x00	Set bits to 0.
		0	Override PWDN Terminal			1: Block PWDN Terminal control 0: Allow PWDN Terminal control
0x04	EQ Limiting	7:0	EQ Control	R/W	0x00	CH3 - CH0 EQ Limiting Control [7]: CH7 – CHA_3 (linear only) [6]: CH6 – CHA_2 (linear only) [5]: CH5 – CHA_1 (linear only) [4]: CH4 – CHA_0 (linear only) [3]: CH3 – CHB_3 [2]: CH2 – CHB_2 [1]: CH1 – CHB_1 [0]: CH0 – CHB_0 00'h = all channels linear EQ 0F'h = B-channels limiting EQ Note: These bits do not connect to the A-Channel
0x05	Slave Mode CRC bits	7:0	CRC bits	R/W	0x00	CRC bits [7:0]
0x06	Slave Register Control	7:5	Reserved	R/W	0x10	Set bits to 0.
		4	Reserved			Set bit to 1.
		3	Register Enable			1: Enables high speed channel control via SMBus registers without CRC 0: Channel control via SMBus registers requires correct CRC in Reg 0x05 Note: In order to change VOD, DEM and EQ of the channels in slave mode without also setting CRC each time, set this bit to 1.
		2:0	Reserved			Set bits to 0.
0x07	Digital Reset and Control	7	Reserved	R/W	0x01	Set bit to 0.
		6	Reset Registers			Self clearing reset for SMBus registers. Writing a [1] will return register settings to default values.
		5	Reset SMBus Master			Self clearing reset to SMBus master state machine
		4:0	Reserved			Set bits to 0 0001'b.
0x08	Override Terminal Control	7	Reserved	R/W	0x00	Set bit to 0.
		6	Override SD_TH			1: Block SD_TH Terminal control 0: Allow SD_TH Terminal control
		5	Reserved			Set bit to 0.
		4	Override IDLE			1: IDLE control by registers 0: IDLE control by signal detect Note: These bits do not connect to the A-Channel
		3	Override RXDET			1: Block RXDET Terminal control 0: Allow RXDET Terminal control
		2	Override MODE_B			1: Block MODE_B Terminal control 0: Allow MODE_B Terminal control
		1	Reserved			Set bit to 0.
		0	Reserved			Set bit to 0.
0x0A	Signal Detect Monitor	7:0	IDLE Status	R	0x00	CH7 - CH0 Internal IDLE indicator [7]: CH7 – CHA_3 [6]: CH6 – CHA_2 [5]: CH5 – CHA_1 [4]: CH4 – CHA_0 [3]: CH3 – CHB_3 [2]: CH2 – CHB_2 [1]: CH1 – CHB_1 [0]: CH0 – CHB_0 0'b = Signal Detected at input 1'b = Signal Detected at input Note: These bits only function when MODE_B terminal = FLOAT

DS125BR401A

SNLS466A –SEPTEMBER 2013–REVISED MARCH 2014

www.ti.com

Table 12. SMBus Slave Mode Register Map (continued)

Address	Register Name	Bit	Field	Type	Default	Description
0x0E	CH0 - CHB0 IDLE, RXDET	7:6	Reserved	R/W	0x00	Set bits to 0.
		5	IDLE_AUTO			1: Automatic IDLE detect 0: Allow IDLE_SEL control in bit 4 Note: override IDLE control.
		4	IDLE_SEL			1: Output is MUTED (electrical idle) 0: Output is ON Note: override IDLE control.
		3:2	RXDET			00: Input is high-z impedance 01: Auto RX-Detect, outputs test every 12 ms for 600 ms (50 times) then stops; termination is high-z until detection; once detected input termination is 50 Ω 10: Auto RX-Detect, outputs test every 12 ms until detection occurs; termination is high-z until detection; once detected input termination is 50 Ω 11: Input is 50 Ω Note: override RXDET Terminal.
		1:0	Reserved			Set bits to 0.
0x0F	CH0 - CHB0 EQ	7:0	EQ Control	R/W	0x2F	INB_0 EQ Control - total of 256 levels. See Table 5 .
0x10	CH0 - CHB_0 VOD	7	Short Circuit Protection	R/W	0xAD	1: Enable the short circuit protection 0: Disable the short circuit protection
		6	MODE_SEL			1: PCIe Gen 1/2 0: SAS-3 and PCIe Gen 3 Note: override the MODE_B Terminal.
		5:3	Reserved			Set bits to default value - 101.
		2:0	VOD Control			OUTB_0 VOD Control 000: 0.7 V 001: 0.8 V 010: 0.9 V 011: 1.0 V 100: 1.1 V 101: 1.2 V (default) 110: 1.3 V 111: 1.4 V
0x11	CH0 - CHB_0 DEM	7	RXDET STATUS	R	0x02	Observation bit for RXDET CH0 - CHB_0. 1: RX = detected 0: RX = not detected
		6:5	MODE_DET STATUS	R		Observation bit for MODE_DET CH0 - CHB_0. 00: GEN1 (2.5G data-rate) 01: GEN2 (5G data-rate) 11: GEN3 (8G+ data-rate) Note: Only functions when MODE_B Terminal = Automatic
		4:3	Reserved	R/W		Set bits to 0.
		2:0	DEM Control	R/W		OUTB_0 DEM Control 000: 0 dB 001: -1.5 dB 010: -3.5 dB (default) 011: -5 dB 100: -6 dB 101: -8 dB 110: -9 dB 111: -12 dB

Table 12. SMBus Slave Mode Register Map (continued)

Address	Register Name	Bit	Field	Type	Default	Description
0x12	CH0 - CHB_0 SD Threshold	7:4	Reserved	R/W	0x00	Set bits to 0.
		3:2	IDLE tha			Assert threshold (1010 pattern 12 Gbps) 00 = 50 mVp-p (default) 01 = 40 mVp-p 10 = 75 mVp-p 11 = 58 mVp-p Note: override the SD_TH Terminal using 0x08[6].
		1:0	IDLE thd			De-assert threshold (1010 pattern 12 Gbps) 00 = 37 mVp-p (default) 01 = 22 mVp-p 10 = 55 mVp-p 11 = 45 mVp-p Note: override the SD_TH Terminal using 0x08[6].
0x15	CH1 - CHB_1 IDLE, RXDET	7:6	Reserved	R/W	0x00	Set bits to 0.
		5	IDLE_AUTO			1: Automatic IDLE detect 0: Allow IDLE_SEL control in bit 4 Note: override IDLE control.
		4	IDLE_SEL			1: Output is MUTED (electrical idle) 0: Output is ON Note: override IDLE control.
		3:2	RXDET			00: Input is high-z impedance 01: Auto RX-Detect, outputs test every 12 ms for 600 ms (50 times) then stops; termination is high-z until detection; once detected input termination is 50 Ω 10: Auto RX-Detect, outputs test every 12 ms until detection occurs; termination is high-z until detection; once detected input termination is 50 Ω 11: Input is 50 Ω Note: override RXDET Terminal.
		1:0	Reserved			Set bits to 0.
0x16	CH1 - CHB_1 EQ	7:0	EQ Control	R/W	0x2F	INB_1 EQ Control - total of 256 levels. See Table 5 .
0x17	CH1 - CHB_1 VOD	7	Short Circuit Protection	R/W	0xAD	1: Enable the short circuit protection 0: Disable the short circuit protection
		6	MODE_SEL			1: Gen 1/2, 0: SAS-3 and PCIe Gen 3 Note: override the MODE_B Terminal.
		5:3	Reserved			Set bits to default value - 101.
		2:0	VOD Control			OUTB_1 VOD Control 000: 0.7 V 001: 0.8 V 010: 0.9 V 011: 1.0 V 100: 1.1 V 101: 1.2 V (default) 110: 1.3 V 111: 1.4 V

DS125BR401A

SNLS466A –SEPTEMBER 2013–REVISED MARCH 2014

www.ti.com

Table 12. SMBus Slave Mode Register Map (continued)

Address	Register Name	Bit	Field	Type	Default	Description
0x18	CH1 - CHB_1 DEM	7	RXDET STATUS	R	0x02	Observation bit for RXDET CH1 - CHB_1. 1: RX = detected 0: RX = not detected
		6:5	MODE_DET STATUS	R		Observation bit for MODE_DET CH1 - CHB_1. 00: GEN1 (2.5G data-rate) 01: GEN2 (5G data-rate) 11: GEN3 (8G+ data-rate) Note: Only functions when MODE_B Terminal = Automatic
		4:3	Reserved	R/W		Set bits to 0.
		2:0	DEM Control	R/W		OUTB_1 DEM Control 000: 0 dB 001: -1.5 dB 010: -3.5 dB (default) 011: -5 dB 100: -6 dB 101: -8 dB 110: -9 dB 111: -12 dB
0x19	CH1 - CHB_1 SD Threshold	7:4	Reserved	R/W	0x00	Set bits to 0.
		3:2	IDLE tha			Assert threshold (1010 pattern 12 Gbps) 00 = 50 mVp-p (default) 01 = 40 mVp-p 10 = 75 mVp-p 11 = 58 mVp-p Note: override the SD_TH Terminal using 0x08[6].
		1:0	IDLE thd			De-assert threshold (1010 pattern 12 Gbps) 00 = 37 mVp-p (default) 01 = 22 mVp-p 10 = 55 mVp-p 11 = 45 mVp-p Note: override the SD_TH Terminal using 0x08[6].
0x1C	CH2 - CHB_2 IDLE, RXDET	7:6	Reserved	R/W	0x00	Set bits to 0.
		5	IDLE_AUTO			1: Automatic IDLE detect 0: Allow IDLE_SEL control in bit 4 Note: override IDLE control.
		4	IDLE_SEL			1: Output is MUTED (electrical idle) 0: Output is ON Note: override IDLE control.
		3:2	RXDET			00: Input is high-z impedance 01: Auto RX-Detect, outputs test every 12 ms for 600 ms (50 times) then stops; termination is high-z until detection; once detected input termination is 50 Ω 10: Auto RX-Detect, outputs test every 12 ms until detection occurs; termination is high-z until detection; once detected input termination is 50 Ω 11: Input is 50 Ω Note: override RXDET Terminal.
		1:0	Reserved			Set bits to 0.
0x1D	CH2 - CHB2 EQ	7:0	EQ Control	R/W	0x2F	INB_2 EQ Control - total of 256 levels. See Table 5 .

Table 12. SMBus Slave Mode Register Map (continued)

Address	Register Name	Bit	Field	Type	Default	Description
0x1E	CH2 - CHB2 VOD	7	Short Circuit Protection	R/W	0xAD	1: Enable the short circuit protection 0: Disable the short circuit protection
		6	MODE_SEL			1: Gen 1/2, 0: SAS-3 and PCIe Gen 3 Note: override the MODE_B Terminal.
		5:3	Reserved			Set bits to default value - 101.
		2:0	VOD Control			OUTB_2 VOD Control 000: 0.7 V 001: 0.8 V 010: 0.9 V 011: 1.0 V 100: 1.1 V 101: 1.2 V (default) 110: 1.3 V 111: 1.4 V
0x1F	CH2 - CHB_2 DEM	7	RXDET STATUS	R	0x02	Observation bit for RXDET CH2 - CHB_2. 1: RX = detected 0: RX = not detected
		6:5	MODE_DET STATUS	R		Observation bit for MODE_DET CH2 - CHB_2. 00: GEN1 (2.5G data-rate) 01: GEN2 (5G data-rate) 11: GEN3 (8G+ data-rate) Note: Only functions when MODE_B Terminal = Automatic
		4:3	Reserved	R/W		Set bits to 0.
		2:0	DEM Control	R/W		OUTB_2 DEM Control 000: 0 dB 001: -1.5 dB 010: -3.5 dB (default) 011: -5 dB 100: -6 dB 101: -8 dB 110: -9 dB 111: -12 dB
0x20	CH2 - CHB_2 SD Threshold	7:4	Reserved	R/W	0x00	Set bits to 0.
		3:2	IDLE tha			Assert threshold (1010 pattern 12 Gbps) 00 = 50 mVp-p (default) 01 = 40 mVp-p 10 = 75 mVp-p 11 = 58 mVp-p Note: override the SD_TH Terminal using 0x08[6].
		1:0	IDLE thd			De-assert threshold (1010 pattern 12 Gbps) 00 = 37 mVp-p (default) 01 = 22 mVp-p 10 = 55 mVp-p 11 = 45 mVp-p Note: override the SD_TH Terminal using 0x08[6].

DS125BR401A

SNLS466A – SEPTEMBER 2013 – REVISED MARCH 2014

www.ti.com

Table 12. SMBus Slave Mode Register Map (continued)

Address	Register Name	Bit	Field	Type	Default	Description
0x23	CH3 - CHB_3 IDLE, RXDET	7:6	Reserved	R/W	0x00	Set bits to 0.
		5	IDLE_AUTO			1: Automatic IDLE detect 0: Allow IDLE_SEL control in bit 4 Note: override IDLE control.
		4	IDLE_SEL			1: Output is MUTED (electrical idle) 0: Output is ON Note: override IDLE control.
		3:2	RXDET			00: Input is high-z impedance 01: Auto RX-Detect, outputs test every 12 ms for 600 ms (50 times) then stops; termination is high-z until detection; once detected input termination is 50 Ω 10: Auto RX-Detect, outputs test every 12 ms until detection occurs; termination is high-z until detection; once detected input termination is 50 Ω 11: Input is 50 Ω Note: override RXDET Terminal.
		1:0	Reserved			Set bits to 0.
0x24	CH3 - CHB_3 EQ	7:0	EQ Control	R/W	0x2F	INB_3 EQ Control - total of 256 levels. See Table 5 .
0x25	CH3 - CHB_3 VOD	7	Short Circuit Protection	R/W	0xAD	1: Enable the short circuit protection 0: Disable the short circuit protection
		6	MODE_SEL			1: Gen 1/2, 0: SAS-3 and PCIe Gen 3 Note: override the MODE_B Terminal.
		5:3	Reserved			Set bits to default value - 101.
		2:0	VOD Control			OUTB_3 VOD Control 000: 0.7 V 001: 0.8 V 010: 0.9 V 011: 1.0 V 100: 1.1 V 101: 1.2 V (default) 110: 1.3 V 111: 1.4 V
0x26	CH3 - CHB_3 DEM	7	RXDET STATUS	R	0x02	Observation bit for RXDET CH3 - CHB_3. 1: RX = detected 0: RX = not detected
		6:5	MODE_DET STATUS	R		Observation bit for MODE_DET CH3 - CHB_3. 00: GEN1 (2.5G data-rate) 01: GEN2 (5G data-rate) 11: GEN3 (8G+ data-rate) Note: Only functions when MODE_B Terminal = Automatic
		4:3	Reserved	R/W		Set bits to 0.
		2:0	DEM Control	R/W		OUTB_3 DEM Control 000: 0 dB 001: -1.5 dB 010: -3.5 dB (default) 011: -5 dB 100: -6 dB 101: -8 dB 110: -9 dB 111: -12 dB

Table 12. SMBus Slave Mode Register Map (continued)

Address	Register Name	Bit	Field	Type	Default	Description
0x27	CH3 - CHB_3 SD Threshold	7:4	Reserved	R/W	0x00	Set bits to 0.
		3:2	IDLE tha			Assert threshold (1010 pattern 12 Gbps) 00 = 50 mVp-p (default) 01 = 40 mVp-p 10 = 75 mVp-p 11 = 58 mVp-p Note: override the SD_TH Terminal using 0x08[6].
		1:0	IDLE thd			De-assert threshold (1010 pattern 12 Gbps) 00 = 37 mVp-p (default) 01 = 22 mVp-p 10 = 55 mVp-p 11 = 45 mVp-p Note: override the SD_TH Terminal using 0x08[6].
0x28	Signal Detect Control	7:6	Reserved	R/W	0x0C	Set bits to 0.
		5:4	High IDLE			Enable higher range of Signal Detect Thresholds [5]: CH0 - CH3 [4]: CH4 - CH7
		3:2	Fast IDLE			Enable Fast OOB response [3]: CH0 - CH3 [2]: CH4 - CH7
		1:0	Reduced SD Gain			Enable reduced Signal Detect Gain [1]: CH0 - CH3 [0]: CH4 - CH7
0x2B	CH4 - CHA_0 RXDET	7:4	Reserved	R/W	0x00	Set bits to 0.
		3:2	RXDET			00: Input is high-z impedance 01: Auto RX-Detect, outputs test every 12 ms for 600 ms (50 times) then stops; termination is high-z until detection; once detected input termination is 50 Ω 10: Auto RX-Detect, outputs test every 12 ms until detection occurs; termination is high-z until detection; once detected input termination is 50 Ω 11: Input is 50 Ω Note: override RXDET Terminal.
		1:0	Reserved			Set bits to 0.
0x2C	CH4 - CHA_0 EQ	7:0	EQ Control	R/W	0x2F	INA_0 EQ Control - total of 4 levels. See Table 6 .
0x2D	CH4 - CHA_0 VOD	7	Short Circuit Protection	R/W	0xAD	1: Enable the short circuit protection 0: Disable the short circuit protection
		6	Reserved			Set bit to 0.
		5:3	Reserved			Set bits to default value - 101.
		2:0	VOD Control			OUTA_0 VOD Control 000: 0.65 001: 0.70 010: 0.78 011: 0.83 100: 0.88 101: 0.91 (Default) 110: 1.00 111: 1.05 (Recommended for SAS)

DS125BR401A

SNLS466A –SEPTEMBER 2013–REVISED MARCH 2014

www.ti.com

Table 12. SMBus Slave Mode Register Map (continued)

Address	Register Name	Bit	Field	Type	Default	Description
0x2E	CH4 - CHA_0 DEM	7	RXDET STATUS	R	0x02	Observation bit for RXDET CH4 - CHA_0. 1: RX = detected 0: RX = not detected
		6:5	MODE_DET STATUS	R		Observation bit for MODE_DET CH4 - CHA_0. 00: GEN1 (2.5G data-rate) 01: GEN2 (5G data-rate) 11: GEN3 (8G+ data-rate) Note: Only functions when MODE_B Terminal = Automatic
		4:3	Reserved	R/W		Set bits to 0.
		2:0	DEM Control	R/W		OUTA_0 DEM Control (010'b Default) This control does not provide a DEM function for A- Channel outputs. Based on system interoperability testing it is recommended to set these bits to 000'b for SAS and PCIe applications.
0x2F	CH4 - CHA_0 SD Threshold	7:4	Reserved	R/W	0x00	Set bits to 0.
		3:2	IDLE tha			Assert threshold (1010 pattern 12 Gbps) 00 = 50 mVp-p (default) 01 = 40 mVp-p 10 = 75 mVp-p 11 = 58 mVp-p Note: override the SD_TH Terminal using 0x08[6].
		1:0	IDLE thd			De-assert threshold (1010 pattern 12 Gbps) 00 = 37 mVp-p (default) 01 = 22 mVp-p 10 = 55 mVp-p 11 = 45 mVp-p Note: override the SD_TH Terminal using 0x08[6].
0x32	CH5 - CHA_1 RXDET	7:4	Reserved	R/W	0x00	Set bits to 0.
		3:2	RXDET			00: Input is high-z impedance 01: Auto RX-Detect, outputs test every 12 ms for 600 ms (50 times) then stops; termination is high-z until detection; once detected input termination is 50 Ω 10: Auto RX-Detect, outputs test every 12 ms until detection occurs; termination is high-z until detection; once detected input termination is 50 Ω 11: Input is 50 Ω Note: override RXDET Terminal.
		1:0	Reserved			Set bits to 0.
0x33	CH5 - CHA_1 EQ	7:0	EQ Control	R/W	0x2F	INA_1 EQ Control - total of 4 levels. See Table 6 .
0x34	CH5 - CHA_1 VOD	7	Short Circuit Protection	R/W	0xAD	1: Enable the short circuit protection 0: Disable the short circuit protection
		6	Reserved			Set bit to 0.
		5:3	Reserved			Set bits to default value - 101.
		2:0	VOD Control			OUTA_1 VOD Control 000: 0.65 001: 0.70 010: 0.78 011: 0.83 100: 0.88 101: 0.91 (Default) 110: 1.00 111: 1.05 (Recommended for SAS)

Table 12. SMBus Slave Mode Register Map (continued)

Address	Register Name	Bit	Field	Type	Default	Description
0x35	CH5 - CHA1 DEM	7	RXDET STATUS	R	0x02	Observation bit for RXDET CH5 - CHA_1. 1: RX = detected 0: RX = not detected
		6:5	MODE_DET STATUS	R		Observation bit for MODE_DET CH5 - CHA_1. 00: GEN1 (2.5G data-rate) 01: GEN2 (5G data-rate) 11: GEN3 (8G+ data-rate) Note: Only functions when MODE_B Terminal = Automatic
		4:3	Reserved	R/W		Set bits to 0.
		2:0	DEM Control	R/W		OUTA_1 DEM Control (010'b Default) This control does not provide a DEM function for A- Channel outputs. Based on system interoperability testing it is recommended to set these bits to 000'b for SAS and PCIe applications.
0x36	CH5 - CHA_1 SD Threshold	7:4	Reserved	R/W	0x00	Set bits to 0.
		3:2	IDLE tha			Assert threshold (1010 pattern 12 Gbps) 00 = 50 mVp-p (default) 01 = 40 mVp-p 10 = 75 mVp-p 11 = 58 mVp-p Note: override the SD_TH Terminal using 0x08[6].
		1:0	IDLE thd			De-assert threshold (1010 pattern 12 Gbps) 00 = 37 mVp-p (default) 01 = 22 mVp-p 10 = 55 mVp-p 11 = 45 mVp-p Note: override the SD_TH Terminal using 0x08[6].
0x39	CH6 - CHA_2 RXDET	7:4	Reserved	R/W	0x00	Set bits to 0.
		3:2	RXDET			00: Input is high-z impedance 01: Auto RX-Detect, outputs test every 12 ms for 600 ms (50 times) then stops; termination is high-z until detection; once detected input termination is 50 Ω 10: Auto RX-Detect, outputs test every 12 ms until detection occurs; termination is high-z until detection; once detected input termination is 50 Ω 11: Input is 50 Ω Note: override RXDET Terminal.
		1:0	Reserved			Set bits to 0.
0x3A	CH6 - CHA_2 EQ	7:0	EQ Control	R/W	0x2F	INA_2 EQ Control - total of 4 levels. See Table 6 .
0x3B	CH6 - CHA_2 VOD	7	Short Circuit Protection	R/W	0xAD	1: Enable the short circuit protection 0: Disable the short circuit protection
		6	Reserved			set bit to 0.
		5:3	Reserved			Set bits to default value - 101.
		2:0	VOD Control			OUTA_2 VOD Control: VOD / VID Ratio 000: 0.65 001: 0.70 010: 0.78 011: 0.83 100: 0.88 101: 0.91 (Default) 110: 1.00 111: 1.05 (Recommended for SAS)

DS125BR401A

SNLS466A – SEPTEMBER 2013 – REVISED MARCH 2014

www.ti.com

Table 12. SMBus Slave Mode Register Map (continued)

Address	Register Name	Bit	Field	Type	Default	Description
0x3C	CH6 - CHA_2 DEM	7	RXDET STATUS	R	0x02	Observation bit for RXDET CH6 - CHA_2. 1: RX = detected 0: RX = not detected
		6:5	MODE_DET STATUS	R		Observation bit for MODE_DET CH6 - CHA_2. 00: GEN1 (2.5G data-rate) 01: GEN2 (5G data-rate) 11: GEN3 (8G+ data-rate) Note: Only functions when MODE_B Terminal = Automatic
		4:3	Reserved	R/W		Set bits to 0.
		2:0	DEM Control	R/W		OUTA_2 DEM Control (010'b Default) This control does not provide a DEM function for A- Channel outputs. Based on system interoperability testing it is recommended to set these bits to 000'b for SAS and PCIe applications.
0x3D	CH6 - CHA_2 SD Threshold	7:4	Reserved	R/W	0x00	Set bits to 0.
		3:2	IDLE tha			Assert threshold (1010 pattern 12 Gbps) 00 = 50 mVp-p (default) 01 = 40 mVp-p 10 = 75 mVp-p 11 = 58 mVp-p Note: override the SD_TH Terminal using 0x08[6].
		1:0	IDLE thd			De-assert threshold (1010 pattern 12 Gbps) 00 = 37 mVp-p (default) 01 = 22 mVp-p 10 = 55 mVp-p 11 = 45 mVp-p Note: override the SD_TH Terminal using 0x08[6].
0x40	CH7 - CHA_3 RXDET	7:4	Reserved	R/W	0x00	Set bits to 0.
		3:2	RXDET			00: Input is high-z impedance 01: Auto RX-Detect, outputs test every 12 ms for 600 ms (50 times) then stops; termination is high-z until detection; once detected input termination is 50 Ω 10: Auto RX-Detect, outputs test every 12 ms until detection occurs; termination is high-z until detection; once detected input termination is 50 Ω 11: Input is 50 Ω Note: override RXDET Terminal.
		1:0	Reserved			Set bits to 0.
0x41	CH7 - CHA_3 EQ	7:0	EQ Control	R/W	0x2F	INA_3 EQ Control - total of 4 levels. See Table 6 .
0x42	CH7 - CHA_3 VOD	7	Short Circuit Protection	R/W	0xAD	1: Enable the short circuit protection 0: Disable the short circuit protection
		6	Reserved			Set bit to 0.
		5:3	Reserved			Set bits to default value - 101.
		2:0	VOD Control			OUTA_3 VOD Control: VOD / VID Ratio 000: 0.65 001: 0.70 010: 0.78 011: 0.83 100: 0.88 101: 0.91 (Default) 110: 1.00 111: 1.05 (Recommended for SAS)

Table 12. SMBus Slave Mode Register Map (continued)

Address	Register Name	Bit	Field	Type	Default	Description
0x43	CH7 - CHA3 DEM	7	RXDET STATUS	R	0x02	Observation bit for RXDET CH7 - CHA3. 1: RX = detected 0: RX = not detected
		6:5	MODE_DET STATUS	R		Observation bit for MODE_DET CH7 - CHA3. 00: GEN1 (2.5G data-rate) 01: GEN2 (5G data-rate) 11: GEN3 (8G+ data-rate) Note: Only functions when MODE_B Terminal = Automatic
		4:3	Reserved	R/W		Set bits to 0.
		2:0	DEM Control	R/W		OUTA_3 DEM Control (010'b Default) This control does not provide a DEM function for A- Channel outputs. Based on system interoperability testing it is recommended to set these bits to 000'b for SAS and PCIe applications.
0x44	CH7 - CHA3 SD Threshold	7:4	Reserved	R/W	0x00	Set bits to 0.
		3:2	IDLE tha			Assert threshold (1010 pattern 12 Gbps) 00 = 50 mVp-p (default) 01 = 40 mVp-p 10 = 75 mVp-p 11 = 58 mVp-p Note: override the SD_TH Terminal using 0x08[6].
		1:0	IDLE thd			De-assert threshold (1010 pattern 12 Gbps) 00 = 37 mVp-p (default) 01 = 22 mVp-p 10 = 55 mVp-p 11 = 45 mVp-p Note: override the SD_TH Terminal using 0x08[6].
0x51	Device ID	7:5	VERSION	R	0x84	100'b
		4:0	ID			00100'b

DS125BR401A

SNLS466A – SEPTEMBER 2013 – REVISED MARCH 2014

www.ti.com**8 Applications and Implementation****8.1 Application Information****8.1.1 Signal Integrity in SAS-3 Applications**

SAS-3 specifications have fully specified Rx-Tx training as a means to establish and optimize signal conditioning settings at the 12.0 Gbps data-rate. The DS125BR401A works to extend the reach possible by adding active linear equalization to the channel, boosting attenuated signals so that they can be more easily recovered at the SAS-3 Rx. The A-Channel outputs are specially designed to be transparent to TX FIR signaling passing this information critical for optimal link training to the SAS-3 Rx. The A-Channel device settings used in a SAS-3 environment are EQ = Level 4, DEMA1 = 1 and DEMA0 = 0 in Terminal mode or EQ = 03'h, VOD = 111'b, and DEM = 000'b in SMBus mode.

8.1.2 RX-Detect in SAS/SATA Applications

Unlike PCIe systems, SAS/SATA systems use a low speed Out-Of-Band or OOB communications sequence to detect and communicate between SAS Controllers/Expanders and target drives. This communication eliminates the need to detect for endpoints like PCIe. For SAS systems, it is recommended to tie the RXDET Terminal high. This will ensure any OOB sequences sent from the Controller/Expander will reach the target drive without any additional latency due to the termination detection sequence defined by PCIe.

8.1.3 Signal Integrity in PCIe Applications

When using the DS125BR401A in PCIe GEN-3 systems, there are specific signal integrity settings to ensure signal integrity margin. The settings were optimized by system bench testing. Please contact your field representative for more information regarding the testing completed to achieve these settings.

For tuning the in the downstream direction (from CPU to EP).

- EQB: use the guidelines outlined in [Table 5](#) and [Table 6](#).
- EQA: EQ = 11'b or EQA0 = 1.
- DEMB: Use the guidelines outlined in [Table 7](#).
- DEMA set to 000'b in SMBus Mode.
- VODB: use the guidelines outlined in [Table 7](#).
- VODA: SMBus = 111'b, Terminal Control: DEMA1=1, DEMA0 = 0

For tuning in the upstream direction (from EP to CPU).

- B-Channel:
 - EQ: use the guidelines outlined in [Table 5](#) and [Table 6](#).
 - DEM for trace lengths < 15in set to -3.5 dB
 - DEM for trace lengths > 15in set to -6 dB
 - VOD: Set to 900 mV
- A-Channel:
 - EQ = 11'b or EQA0 = 1.
 - DEM for trace lengths < 15in set to 000'b in SMBus Mode.
 - DEM for trace lengths > 15in set to 000'b in SMBus Mode.
 - VOD: SMBus = 111'b, Terminal Control: DEMA1=1, DEMA0 = 0

8.1.4 MODE operation with SMBus Registers

When in SMBus mode (Slave or Master), the MODE Terminal retains control of the output driver characteristics. In order to override this control function, Register 0x08[2] must be written with a "1". Writing this bit enables MODE control of each channel individually using the channel registers defined in [Table 12](#).

8.2 Typical Application

SAS-3 specifications have fully specified Rx-Tx training as a means to establish and optimize signal conditioning settings at the 12.0 Gbps data-rate. The DS125BR401A works to extend the reach possible by adding active linear equalization to the channel, boosting attenuated signals so that they can be more easily recovered at the SAS-3 Rx. The A-Channel outputs are specially designed to be transparent to TX FIR signaling passing this information critical for optimal link training to the SAS-3 Rx. The A-Channel device settings used in a SAS-3 environment are EQ = Level 4, DEMA1 = 1 and DEMA0 = 0 in Terminal mode or EQ = 03'h, VOD = 111'b, and DEM = 000'b in SMBus mode.

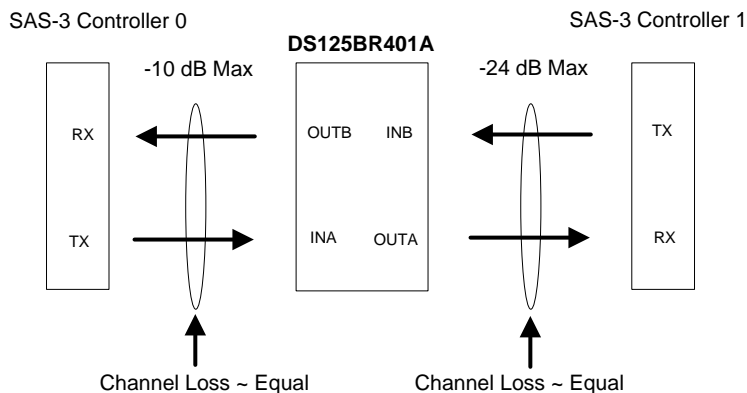


Figure 8. Typical System Configuration

8.2.1 Design Requirements

As with any high speed design, there are many factors which influence the overall performance, this section lists some critical areas for consideration and study.

- Limit the maximum losses according to [Figure 8](#).
- Utilize 100Ω impedance traces. Generally these are very loosely coupled to ease routing length differences.
- Place AC-coupling capacitors near to the receiver end of each channel segment to minimize reflections.
- The maximum body size for AC-coupling capacitors is 0402.
- Back-drill connector vias and signal vias to minimize stub length
- Use Reference plane vias to ensure a low inductance path for the return current.

8.2.2 Detailed Design Procedure

The DS125BR401A is designed to be placed at an offset location with respect to the overall channel attenuation, a maximum attenuation of 10 dB on the INA side and 22 dB on the INB side. The input channel segment with the lowest attenuation should always be connected to the INA port. This drives different design constraints and settings to the A-Channel and B-Channel sides. The A-Channel device settings used in a SAS-3 environment are EQ = Level 4, DEMA1 = 1 and DEMA0 = 0 in Terminal mode or EQ = 03'h, VOD = 111'b, and DEM = 000'b in SMBus mode. This setting has proven to give the best overall SAS-3 extension for all configurations tested. The B-Channel has a larger signal gain than the A-Channel and the capability to add even higher levels of CTLE if required. In even the longer channel configurations with attenuation on the B-Channel inputs of ~ 20 dB @ 6 GHz can recover a solid eye opening with EQB = Level 1, DEMA1 = FLOAT and DEMA0 = R in Terminal mode or EQ = 00'h, VOD = 101'b, and DEM = 000'b in SMBus mode.

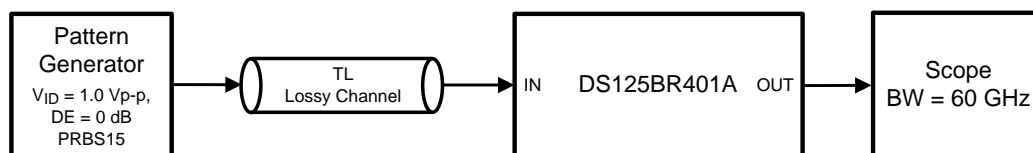


Figure 9. Test Setup Connections Diagram

DS125BR401A

SNLS466A –SEPTEMBER 2013–REVISED MARCH 2014

www.ti.com

Typical Application (continued)

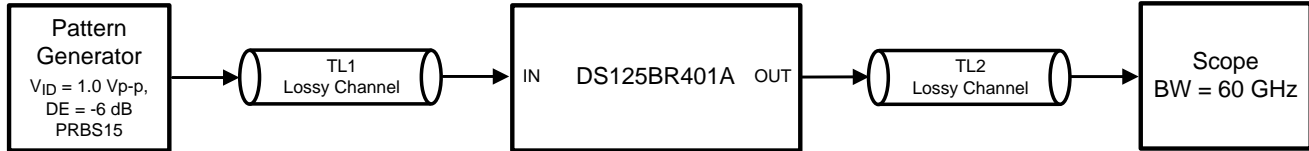
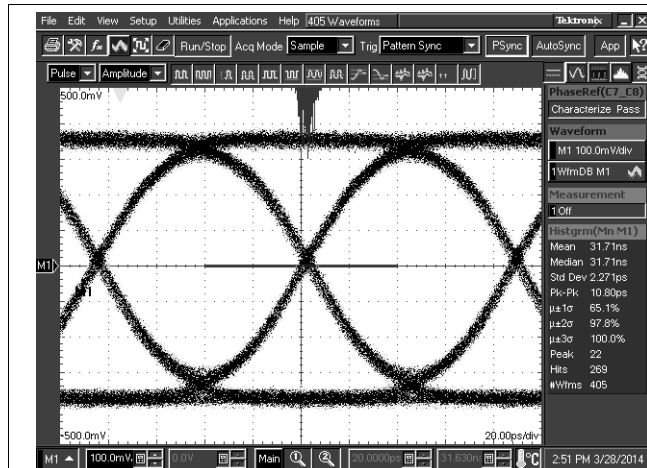
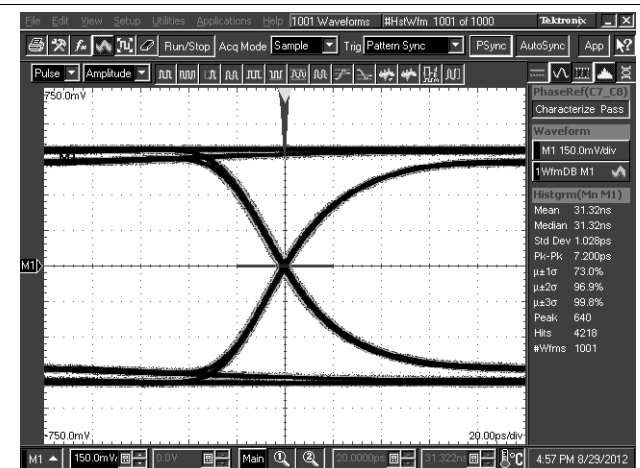
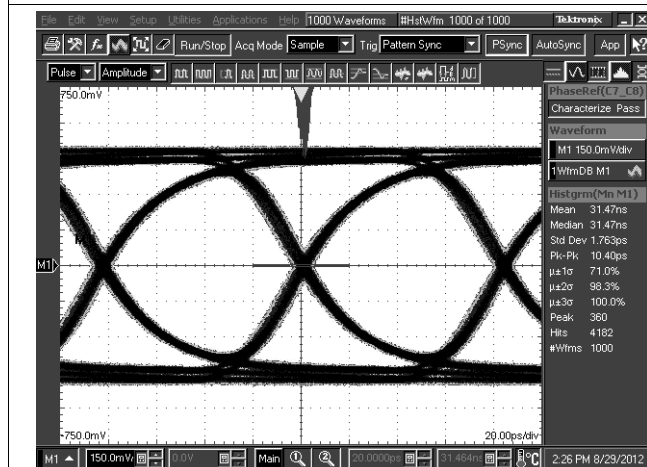
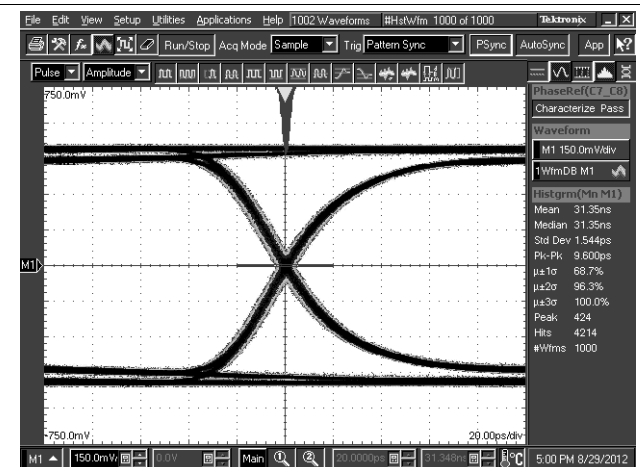
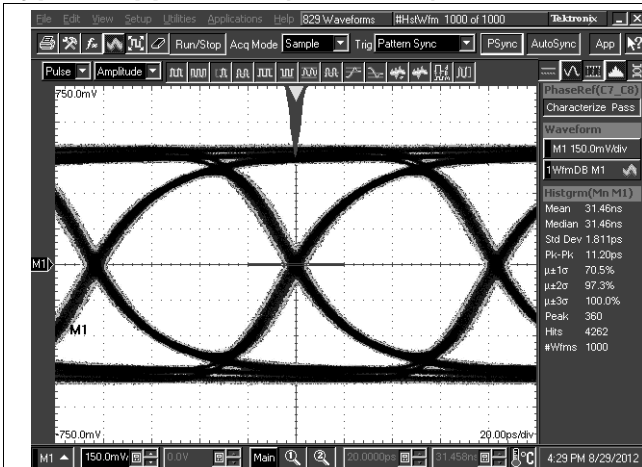


Figure 10. Test Setup Connections Diagram

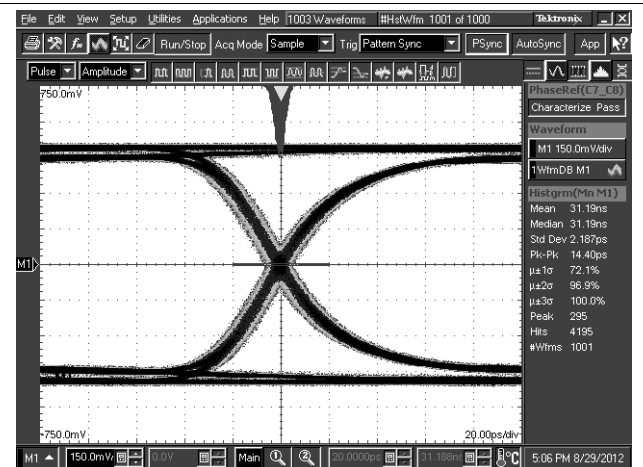
8.2.3 Application Performance Plots

DS125BR401A settings: EQA[1:0] = 0, R = 01'h, DEMA[1:0] = 1, 0
Figure 11. TLine = 5 Inch 5-Mil FR4 Trace, 12 GbpsDS125BR401A settings: EQB[1:0] = 0, F = 02'h, DEMB[1:0] = 0, 1
Figure 12. TLine = 10 Inch 5-Mil FR4 Trace, 6 GbpsDS125BR401A settings: EQB[1:0] = 0, R = 01'h, DEMB[1:0] = 0, 1
Figure 13. TLine = 10 Inch 5-Mil FR4 Trace, 12 GbpsDS125BR401A settings: EQB[1:0] = 0, 1 = 03'h, DEMB[1:0] = 0, 1
Figure 14. TLine = 20 Inch 5-Mil FR4 Trace, 6 Gbps

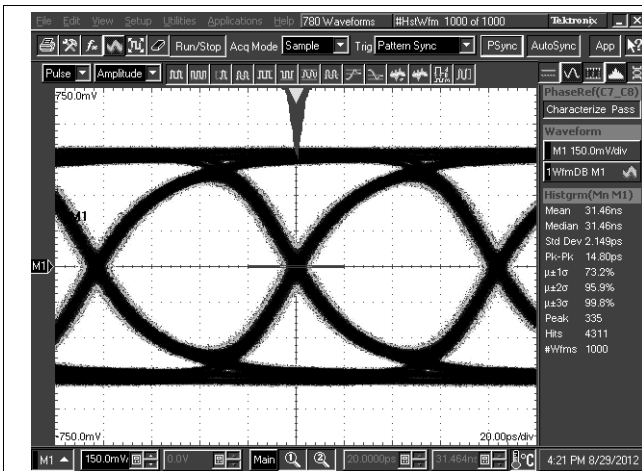
Typical Application (continued)



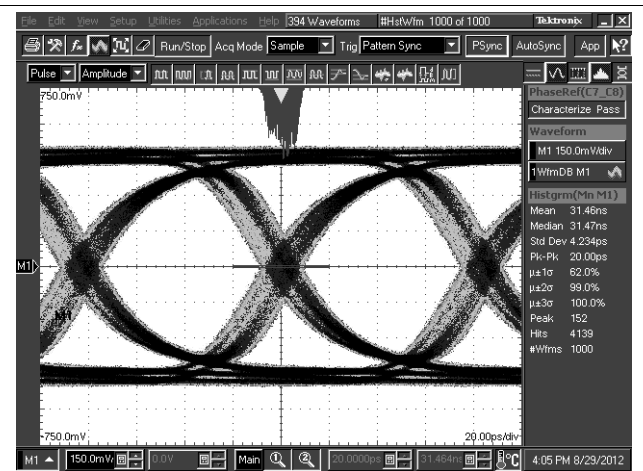
DS125BR401A settings: EQB[1:0] = 0, 1 = 03'h, DEMB[1:0] = 0, 1
Figure 15. Tl = 20 Inch 5-Mil FR4 Trace, 12 Gbps



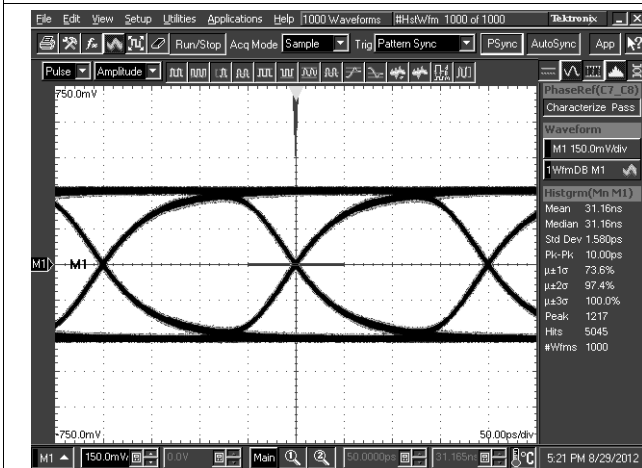
DS125BR401A settings: EQB[1:0] = R, 0 = 07'h, DEMB[1:0] = 0, 1
Figure 16. TLine = 30 Inch 5-Mil FR4 Trace, 6 Gbps



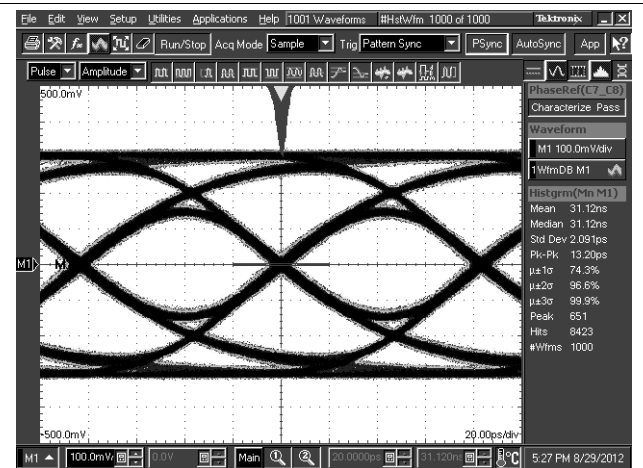
DS125BR401A settings: EQB[1:0] = R, 0 = 07'h, DEMB[1:0] = 0, 1
Figure 17. Tl = 30 Inch 5-Mil FR4 Trace, 12 Gbps



DS125BR401A settings: EQB[1:0] = R, 0 = 07'h, DEMB[1:0] = 0, 1
Figure 18. T11 = 5-Meter 30-AWG 100 Ohm Twin-Axial Cable, 12 Gbps



DS125BR401A settings: EQB[1:0] = 0, 1 = 03'h, DEMB[1:0] = R, 0
Figure 19. TLine1 = 20 Inch 5-Mil FR4 Trace, TLine2 = 10 Inch 5-Mil FR4 Trace, 5 Gbps



DS125BR401A settings: EQ[1:0] = R, 1 = 0F'h, DEM[1:0] = R, 0
Figure 20. TLine1 = 20 Inch 5-Mil FR4 Trace, TLine2 = 10 Inch 5-Mil FR4 Trace, 12 Gbps

DS125BR401A

SNLS466A – SEPTEMBER 2013 – REVISED MARCH 2014

www.ti.com

9 Power Supply Recommendations

Two approaches are recommended to ensure that the DS125BR401A is provided with an adequate power supply. First, the supply (VDD) and ground (GND) Terminals should be connected to power planes routed on adjacent layers of the printed circuit board. The layer thickness of the dielectric should be minimized so that the V_{DD} and GND planes create a low inductance supply with distributed capacitance. Second, careful attention to supply bypassing through the proper use of bypass capacitors is required. A 0.1µF bypass capacitor should be connected to each V_{DD} Terminal such that the capacitor is placed as close as possible to the DS125BR401A. Smaller body size capacitors can help facilitate proper component placement. Additionally, capacitor with capacitance in the range of 1 µF to 10 µF should be incorporated in the power supply bypassing design as well. These capacitors can be either tantalum or an ultra-low ESR ceramic.

The DS125BR401A has an optional internal voltage regulator to provide the 2.5V supply to the device. In 3.3V mode operation, the VIN Terminal = 3.3V is used to supply power to the device. The internal regulator will provide the 2.5V to the VDD Terminals of the device and a 0.1µF cap is needed at each of the 5 VDD Terminals for power supply de-coupling (total capacitance should equal 0.5 µF). The VDD_SEL Terminal must be tied to GND to enable the internal regulator. In 2.5V mode operation, the VIN Terminal should be left open and 2.5V supply must be applied to the 5 VDD Terminals to power the device. The VDD_SEL Terminal must be left open (no connect) to disable the internal regulator.

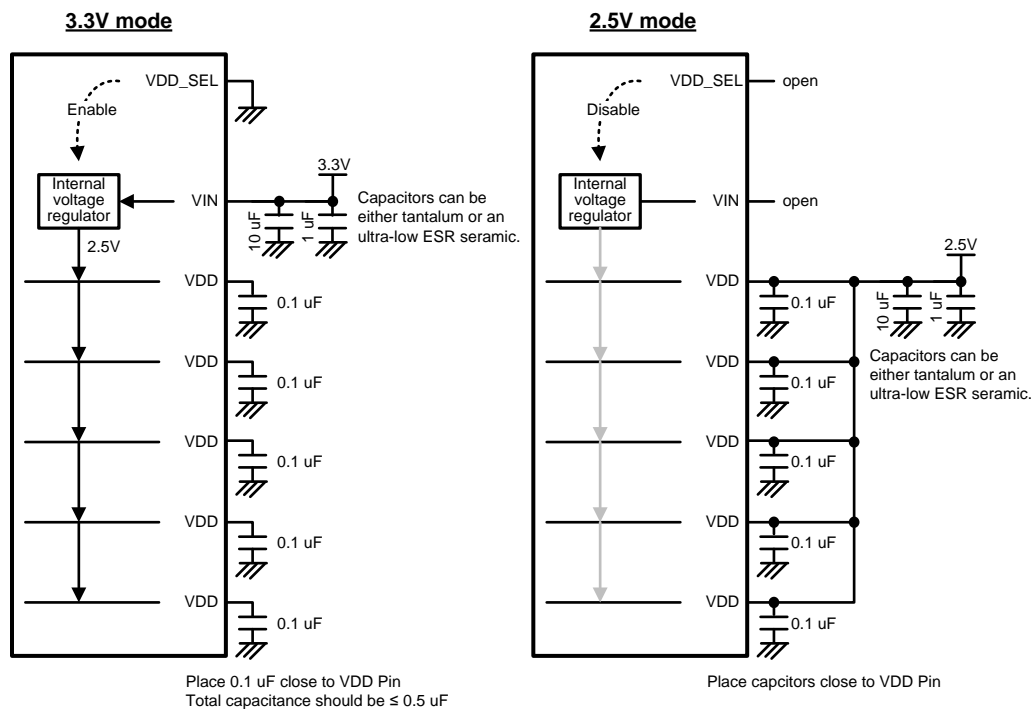


Figure 21. 3.3V or 2.5V Supply Connection Diagram

10 Layout

10.1 Layout Guidelines

The CML inputs and outputs have been optimized to work with interconnects using a controlled differential impedance of 100Ω. It is preferable to route differential lines exclusively on one layer of the board, particularly for the input traces. The use of vias should be avoided if possible. If vias must be used, they should be used sparingly and must be placed symmetrically for each side of a given differential pair. Whenever differential vias are used the layout must also provide for a low inductance path for the return currents as well. Route the differential signals away from other signals and noise sources on the printed circuit board. See AN-1187 "Leadless Leadframe Package (LLP) Application Report" (literature number [SNOA401](#)) for additional information on QFN (WQFN) packages.

10.2 Layout Example

To minimize the effects of crosstalk, a 5:1 ratio or greater should be maintained between inter-pair and intra-pair spacing.

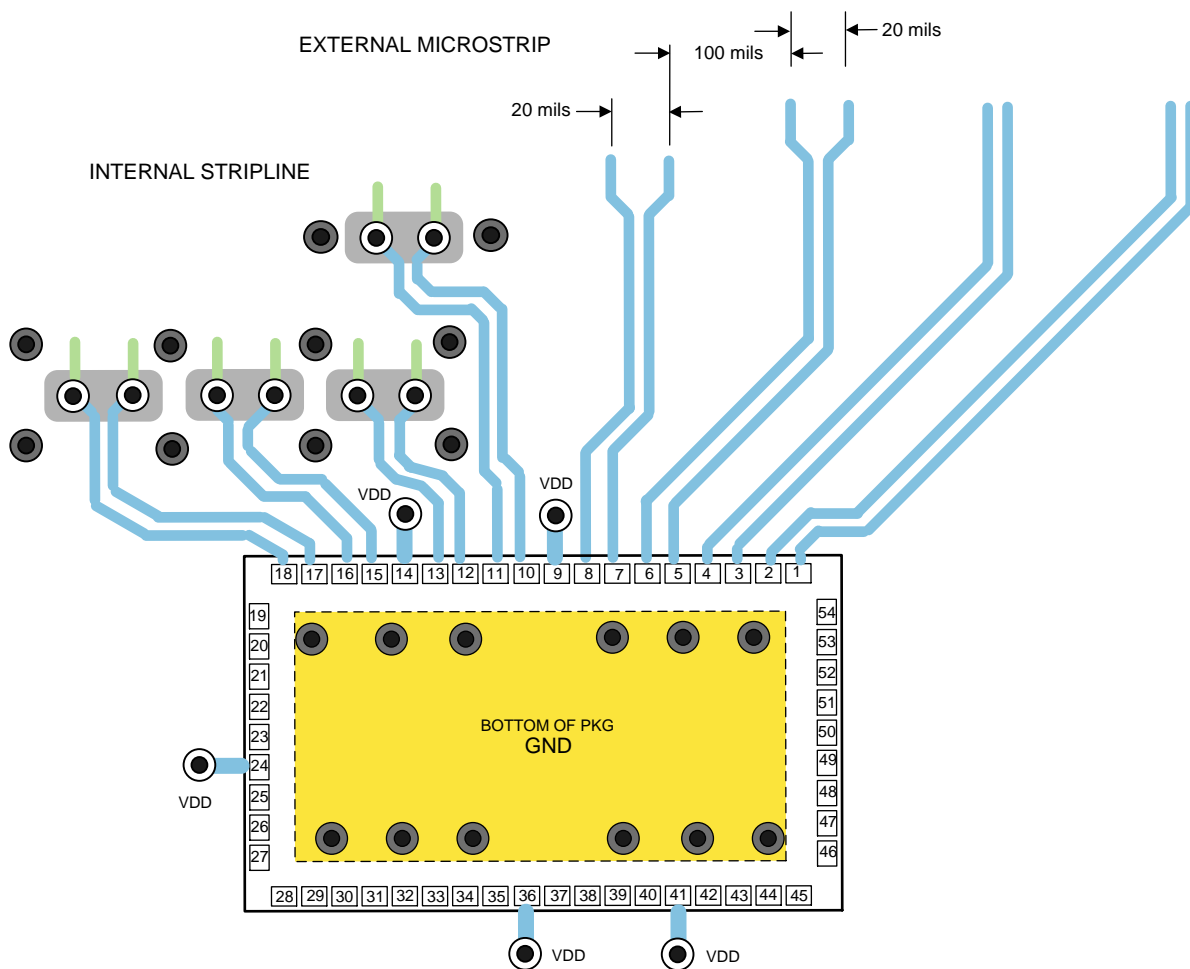


Figure 22. Typical Routing Options

The graphic shown above depicts different transmission line topologies which can be used in various combinations to achieve the optimal system performance. Impedance discontinuities at the differential via can be minimized or eliminated by increasing the swell around each hole and providing for a low inductance return current path. When the via structure is associated with thick backplane PCB, further optimization such as back drilling is often used to reduce the detrimental high frequency effects of stubs on the signal path.

DS125BR401A

SNLS466A – SEPTEMBER 2013 – REVISED MARCH 2014

www.ti.com

11 Device and Documentation Support

11.1 Trademarks

All trademarks are the property of their respective owners.

11.2 Electrostatic Discharge Caution



These devices have limited built-in ESD protection. The leads should be shorted together or the device placed in conductive foam during storage or handling to prevent electrostatic damage to the MOS gates.

11.3 Glossary

[SLYZ022](#) — *TI Glossary*.

This glossary lists and explains terms, acronyms and definitions.

12 Mechanical, Packaging, and Orderable Information

The following pages include mechanical, packaging, and orderable information. This information is the most current data available for the designated devices. This data is subject to change without notice and revision of this document. For browser-based versions of this data sheet, refer to the left-hand navigation.

PACKAGING INFORMATION

Orderable part number	Status (1)	Material type (2)	Package Pins	Package qty Carrier	RoHS (3)	Lead finish/ Ball material (4)	MSL rating/ Peak reflow (5)	Op temp (°C)	Part marking (6)
DS125BR401ANJYR	Active	Production	WQFN (NJY) 54	2000 LARGE T&R	Yes	SN	Level-2-260C-1 YEAR	-40 to 85	DS125BR401A
DS125BR401ANJYR.A	Active	Production	WQFN (NJY) 54	2000 LARGE T&R	Yes	SN	Level-2-260C-1 YEAR	-40 to 85	DS125BR401A
DS125BR401ANJYR.B	Active	Production	WQFN (NJY) 54	2000 LARGE T&R	Yes	SN	Level-2-260C-1 YEAR	-40 to 85	DS125BR401A
DS125BR401ANJYT	Active	Production	WQFN (NJY) 54	250 SMALL T&R	Yes	SN	Level-2-260C-1 YEAR	-40 to 85	DS125BR401A
DS125BR401ANJYT.A	Active	Production	WQFN (NJY) 54	250 SMALL T&R	Yes	SN	Level-2-260C-1 YEAR	-40 to 85	DS125BR401A
DS125BR401ANJYT.B	Active	Production	WQFN (NJY) 54	250 SMALL T&R	Yes	SN	Level-2-260C-1 YEAR	-40 to 85	DS125BR401A

⁽¹⁾ **Status:** For more details on status, see our [product life cycle](#).

⁽²⁾ **Material type:** When designated, preproduction parts are prototypes/experimental devices, and are not yet approved or released for full production. Testing and final process, including without limitation quality assurance, reliability performance testing, and/or process qualification, may not yet be complete, and this item is subject to further changes or possible discontinuation. If available for ordering, purchases will be subject to an additional waiver at checkout, and are intended for early internal evaluation purposes only. These items are sold without warranties of any kind.

⁽³⁾ **RoHS values:** Yes, No, RoHS Exempt. See the [TI RoHS Statement](#) for additional information and value definition.

⁽⁴⁾ **Lead finish/Ball material:** Parts may have multiple material finish options. Finish options are separated by a vertical ruled line. Lead finish/Ball material values may wrap to two lines if the finish value exceeds the maximum column width.

⁽⁵⁾ **MSL rating/Peak reflow:** The moisture sensitivity level ratings and peak solder (reflow) temperatures. In the event that a part has multiple moisture sensitivity ratings, only the lowest level per JEDEC standards is shown. Refer to the shipping label for the actual reflow temperature that will be used to mount the part to the printed circuit board.

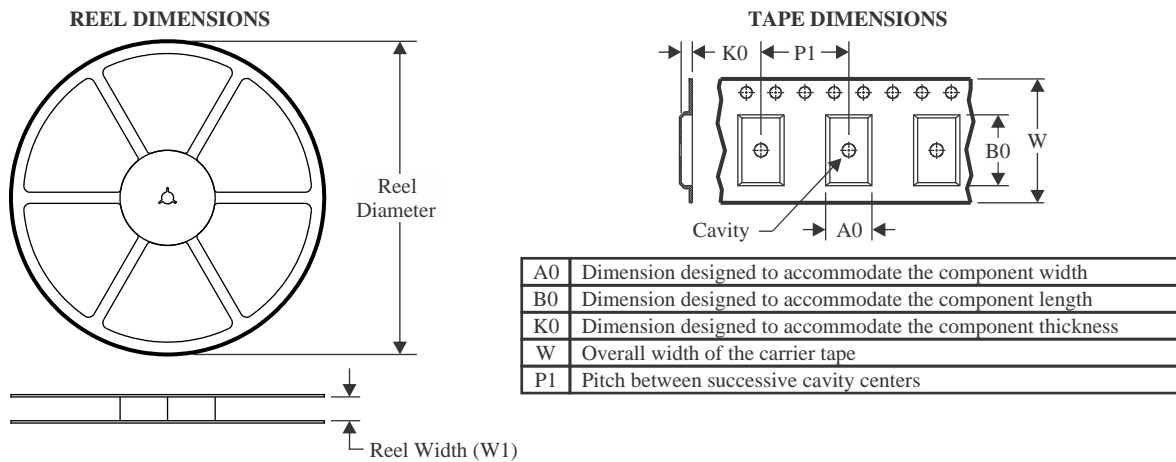
⁽⁶⁾ **Part marking:** There may be an additional marking, which relates to the logo, the lot trace code information, or the environmental category of the part.

Multiple part markings will be inside parentheses. Only one part marking contained in parentheses and separated by a "~" will appear on a part. If a line is indented then it is a continuation of the previous line and the two combined represent the entire part marking for that device.

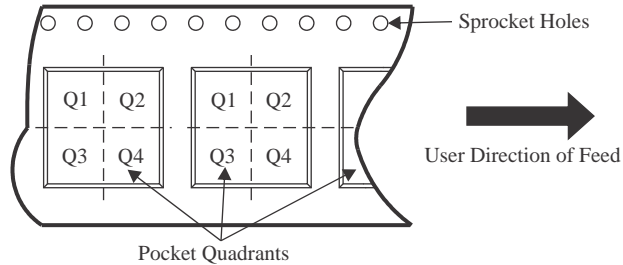
Important Information and Disclaimer:The information provided on this page represents TI's knowledge and belief as of the date that it is provided. TI bases its knowledge and belief on information provided by third parties, and makes no representation or warranty as to the accuracy of such information. Efforts are underway to better integrate information from third parties. TI has taken and continues to take reasonable steps to provide representative and accurate information but may not have conducted destructive testing or chemical analysis on incoming materials and chemicals. TI and TI suppliers consider certain information to be proprietary, and thus CAS numbers and other limited information may not be available for release.

In no event shall TI's liability arising out of such information exceed the total purchase price of the TI part(s) at issue in this document sold by TI to Customer on an annual basis.

TAPE AND REEL INFORMATION



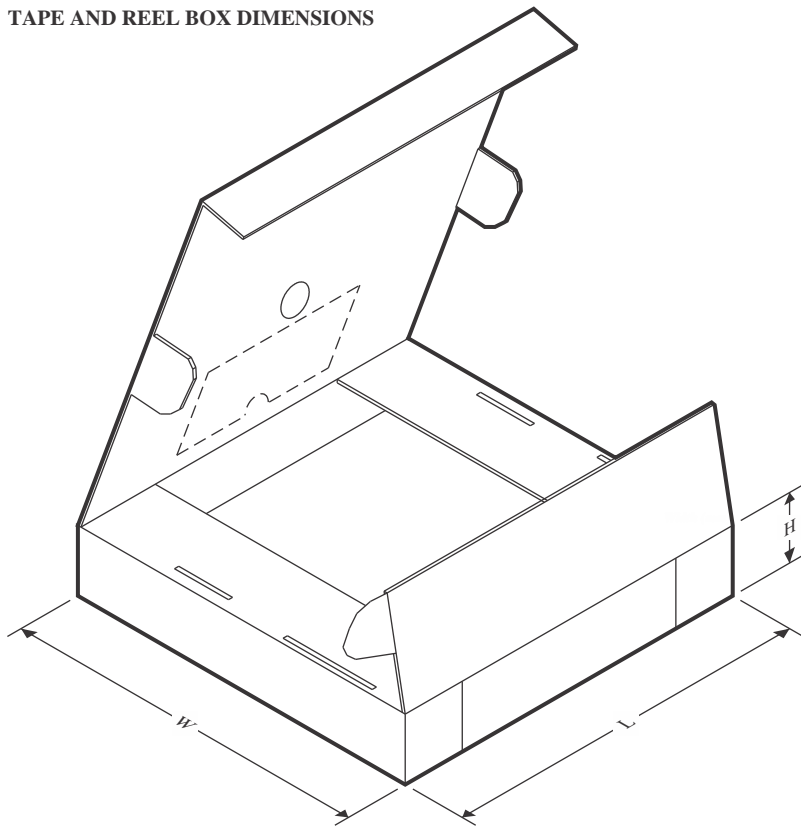
QUADRANT ASSIGNMENTS FOR PIN 1 ORIENTATION IN TAPE



*All dimensions are nominal

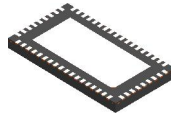
Device	Package Type	Package Drawing	Pins	SPQ	Reel Diameter (mm)	Reel Width W1 (mm)	A0 (mm)	B0 (mm)	K0 (mm)	P1 (mm)	W (mm)	Pin1 Quadrant
DS125BR401ANJYR	WQFN	NJY	54	2000	330.0	16.4	5.8	10.3	1.0	12.0	16.0	Q1
DS125BR401ANJYT	WQFN	NJY	54	250	178.0	16.4	5.8	10.3	1.0	12.0	16.0	Q1

TAPE AND REEL BOX DIMENSIONS



*All dimensions are nominal

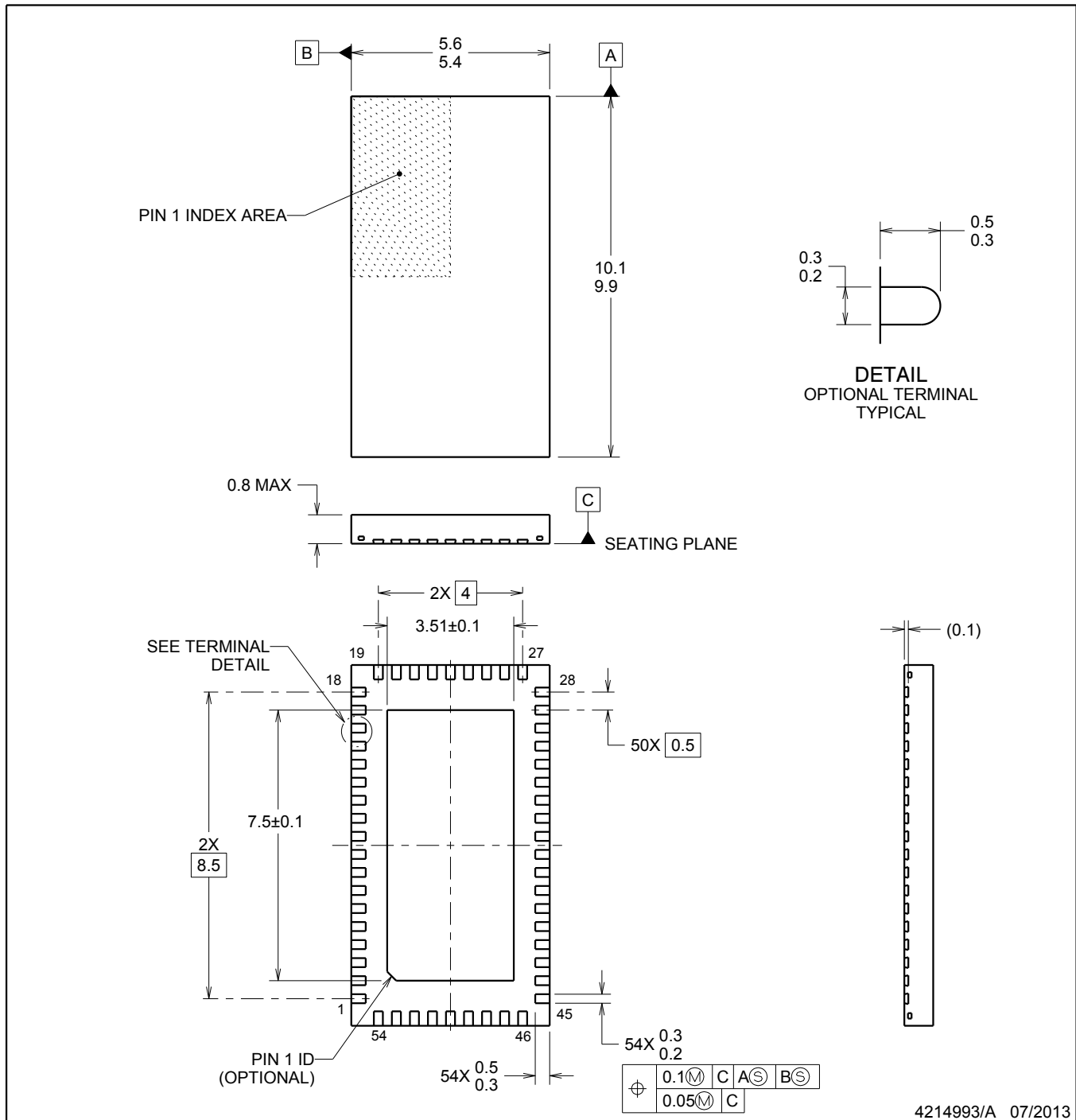
Device	Package Type	Package Drawing	Pins	SPQ	Length (mm)	Width (mm)	Height (mm)
DS125BR401ANJYR	WQFN	NJY	54	2000	356.0	356.0	36.0
DS125BR401ANJYT	WQFN	NJY	54	250	208.0	191.0	35.0



NJY0054A

WQFN

WQFN



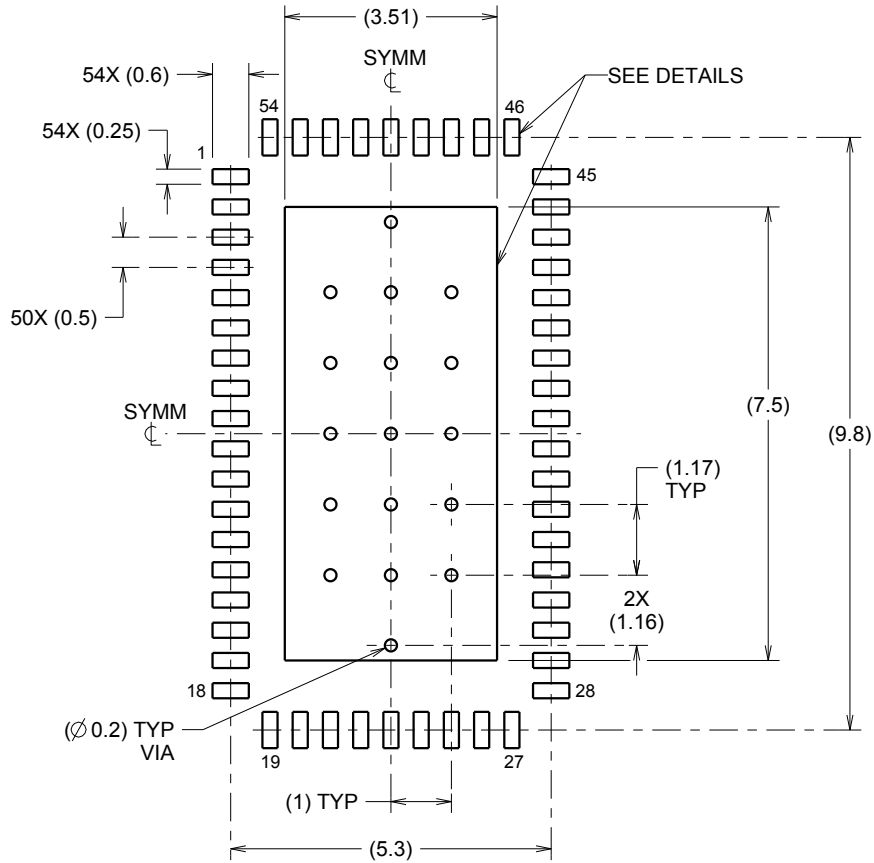
NOTES:

1. All linear dimensions are in millimeters. Dimensions in parenthesis are for reference only. Dimensioning and tolerancing per ASME Y14.5M.
2. This drawing is subject to change without notice.
3. The package thermal pad must be soldered to the printed circuit board for thermal and mechanical performance.

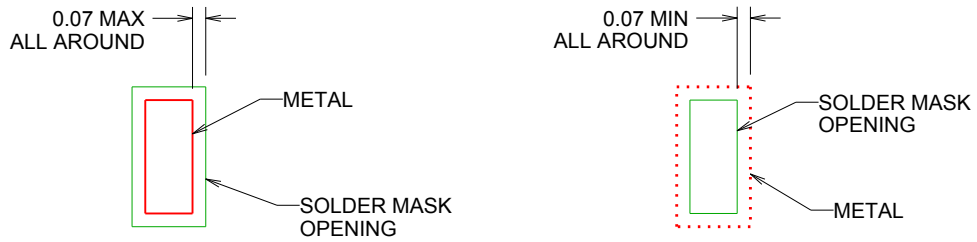
NJY0054A

WQFN

WQFN



LAND PATTERN EXAMPLE
SCALE:8X



NON SOLDER MASK
DEFINED
(PREFERRED)

SOLDER MASK
DEFINED

SOLDER MASK DETAILS

4214993/A 07/2013

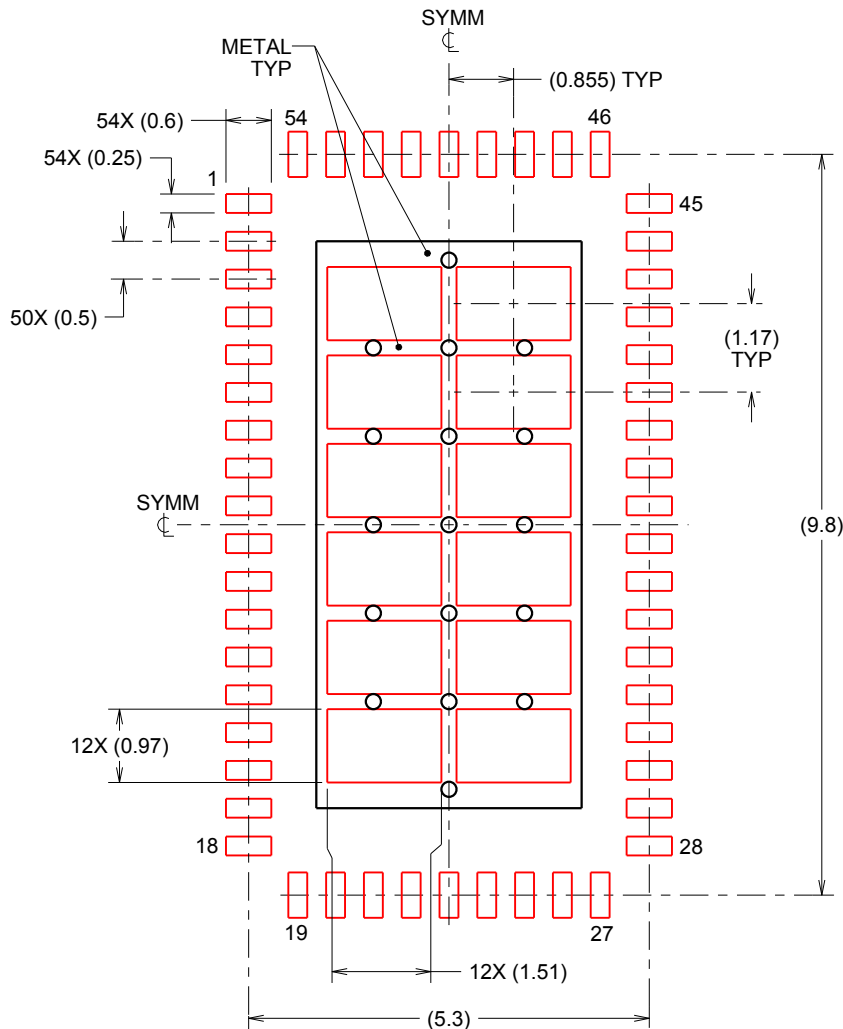
NOTES: (continued)

4. This package is designed to be soldered to a thermal pad on the board. For more information, refer to QFN/SON PCB application note in literature No. SLUA271 (www.ti.com/lit/slua271).

NJY0054A

WQFN

WQFN



SOLDERPASTE EXAMPLE
 BASED ON 0.125mm THICK STENCIL

EXPOSED PAD
 67% PRINTED SOLDER COVERAGE BY AREA
 SCALE:10X

4214993/A 07/2013

NOTES: (continued)

5. Laser cutting apertures with trapezoidal walls and rounded corners may offer better paste release. IPC-7525 may have alternate design recommendations.

IMPORTANT NOTICE AND DISCLAIMER

TI PROVIDES TECHNICAL AND RELIABILITY DATA (INCLUDING DATASHEETS), DESIGN RESOURCES (INCLUDING REFERENCE DESIGNS), APPLICATION OR OTHER DESIGN ADVICE, WEB TOOLS, SAFETY INFORMATION, AND OTHER RESOURCES "AS IS" AND WITH ALL FAULTS, AND DISCLAIMS ALL WARRANTIES, EXPRESS AND IMPLIED, INCLUDING WITHOUT LIMITATION ANY IMPLIED WARRANTIES OF MERCHANTABILITY, FITNESS FOR A PARTICULAR PURPOSE OR NON-INFRINGEMENT OF THIRD PARTY INTELLECTUAL PROPERTY RIGHTS.

These resources are intended for skilled developers designing with TI products. You are solely responsible for (1) selecting the appropriate TI products for your application, (2) designing, validating and testing your application, and (3) ensuring your application meets applicable standards, and any other safety, security, regulatory or other requirements.

These resources are subject to change without notice. TI grants you permission to use these resources only for development of an application that uses the TI products described in the resource. Other reproduction and display of these resources is prohibited. No license is granted to any other TI intellectual property right or to any third party intellectual property right. TI disclaims responsibility for, and you fully indemnify TI and its representatives against any claims, damages, costs, losses, and liabilities arising out of your use of these resources.

TI's products are provided subject to [TI's Terms of Sale](#), [TI's General Quality Guidelines](#), or other applicable terms available either on [ti.com](#) or provided in conjunction with such TI products. TI's provision of these resources does not expand or otherwise alter TI's applicable warranties or warranty disclaimers for TI products. Unless TI explicitly designates a product as custom or customer-specified, TI products are standard, catalog, general purpose devices.

TI objects to and rejects any additional or different terms you may propose.

Copyright © 2025, Texas Instruments Incorporated

Last updated 10/2025

OUR CERTIFICATE

DiGi provide top-quality products and perfect service for customer worldwide through standardization, technological innovation and continuous improvement. DiGi through third-party certification, we strictly control the quality of products and services. Welcome your RFQ to

Email: Info@DiGi-Electronics.com



Tel: +00 852-30501935

RFQ Email: Info@DiGi-Electronics.com

DiGi is a global authorized distributor of electronic components.