

DS26LV32ATMX/NOPB Datasheet



<https://www.DiGi-Electronics.com>

DiGi Electronics Part Number	DS26LV32ATMX/NOPB-DG
Manufacturer	Texas Instruments
Manufacturer Product Number	DS26LV32ATMX/NOPB
Description	IC RECEIVER 0/4 16SOIC
Detailed Description	0/4 Receiver RS422, RS485 16-SOIC



Tel: +00 852-30501935

RFQ Email: Info@DiGi-Electronics.com

DiGi is a global authorized distributor of electronic components.

Purchase and inquiry

Manufacturer Product Number:

DS26LV32ATMX/NOPB

Series:

-

Type:

Receiver

Number of Drivers/Receivers:

0/4

Receiver Hysteresis:

35 mV

Voltage - Supply:

3V ~ 3.6V

Mounting Type:

Surface Mount

Supplier Device Package:

16-SOIC

Manufacturer:

Texas Instruments

Product Status:

Obsolete

Protocol:

RS422, RS485

Duplex:

-

Data Rate:

-

Operating Temperature:

-40°C ~ 85°C

Package / Case:

16-SOIC (0.154", 3.90mm Width)

Base Product Number:

DS26LV32

Environmental & Export classification

RoHS Status:

ROHS3 Compliant

REACH Status:

REACH Unaffected

HTSUS:

8542.39.0001

Moisture Sensitivity Level (MSL):

1 (Unlimited)

ECCN:

EAR99

DS26LV32AT 3V Enhanced CMOS Quad Differential Line Receiver

Check for Samples: [DS26LV32AT](#)

FEATURES

- Low Power CMOS Design (30 mW typical)
- Interoperable with Existing 5V RS-422 Networks
- Industrial and Military Temperature Range
- Conforms to TIA/EIA-422-B (RS-422) and ITU-T V.11 Recommendation
- 3.3V Operation
- $\pm 7V$ Common Mode Range @ $V_{ID} = 3V$
- $\pm 10V$ Common Mode Range @ $V_{ID} = 0.2V$
- Receiver OPEN Input Failsafe Feature
- Guaranteed AC Parameter:
 - Maximum Receiver Skew: 4 ns
 - Maximum Transition Time: 10 ns
- Pin Compatible with DS26C32AT
- 32 MHz Toggle Frequency
- > 6.5k ESD Tolerance (HBM)

- Available in SOIC and CLGA Packaging
- Standard Microcircuit Drawing (SMD) 5962-98585

DESCRIPTION

The DS26LV32A is a high speed quad differential CMOS receiver that meets the requirements of both TIA/EIA-422-B and ITU-T V.11. The CMOS DS26LV32AT features typical low static I_{CC} of 9 mA which makes it ideal for battery powered and power conscious applications. The TRI-STATE enables, EN and EN*, allow the device to be active High or active Low. The enables are common to all four receivers.

The receiver output (RO) is guaranteed to be High when the inputs are left open. The receiver can detect signals as low as ± 200 mV over the common mode range of $\pm 10V$. The receiver outputs (RO) are compatible with TTL and LVCMOS levels.

Connection Diagram

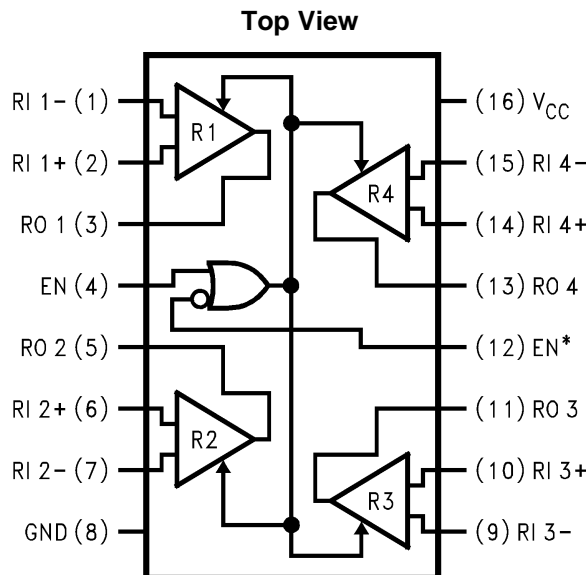


Figure 1.
SOIC Package
See Package Numbers D0016A or NAD0016A



Please be aware that an important notice concerning availability, standard warranty, and use in critical applications of Texas Instruments semiconductor products and disclaimers thereto appears at the end of this data sheet.

All trademarks are the property of their respective owners.

Truth Table⁽¹⁾

Enables		Inputs	Output
EN	EN*	RI+–RI–	RO
L	H	X	Z
All other combinations of enable inputs		$V_{ID} \geq +0.2V$	H
		$V_{ID} \leq -0.2V$	L
		Open ⁽²⁾	H

- (1) L = Logic Low
H = Logic High
X = Irrelevant
Z = TRI-STATE
- (2) Open, not terminated



These devices have limited built-in ESD protection. The leads should be shorted together or the device placed in conductive foam during storage or handling to prevent electrostatic damage to the MOS gates.

Absolute Maximum Ratings⁽¹⁾⁽²⁾

Supply Voltage (V_{CC})	–0.5V to +7V
Enable Input Voltage (EN, EN*)	–0.5V to $V_{CC} + 0.5V$
Receiver Input Voltage (V_{ID} : RI+, RI–)	$\pm 14V$
Receiver Input Voltage (VCM: RI+, RI–)	$\pm 14V$
Receiver Output Voltage (RO)	–0.5V to $V_{CC} + 0.5V$
Receiver Output Current (RO)	± 25 mA Maximum
Maximum Package Power Dissipation @ +25°C	
D0016A Package	1190 mW
NAD0016A Package	1087 mW
Derate D0016A Package 9.8 mW/°C above +25°C	
Derate NAD0016A Package 7.3 mW/°C above +25°C	
Storage Temperature Range	–65°C to +150°C
Lead Temperature Range Soldering (4 Sec.)	+260°C
ESD Ratings (HBM, 1.5 k Ω , 100 pF)	
Receiver Inputs and Enables	≥ 6.5 kV
Other Pins	≥ 2 kV

- (1) “Absolute Maximum ratings” are those values beyond which the safety of the device cannot be guaranteed. They are not meant to imply that the devices should be operated at these limits. The [Electrical Characteristics](#) specifies conditions of device operation.
- (2) If Military/Aerospace specified devices are required, please contact the TI Sales Office/Distributors for availability and specifications.

Recommended Operating Conditions

	Min	Typ	Max	Units
Supply Voltage (V_{CC})	3.0	3.3	3.6	V
Operating Free Air Temperature Range (T_A)				
DS26LV32AT	–40	+25	+85	°C
DS26LV32AW	–55	+25	+125	°C

Electrical Characteristics (1) (2)

Over Supply Voltage and Operating Temperature ranges, unless otherwise specified.

Parameter	Test Conditions	Pin	Min	Typ	Max	Units	
V _{TH}	Differential Input Threshold V _{OUT} = V _{OH} or V _{OL}	RI+, RI-	V _{CM} = -7V to +7V, T _A = -40°C to +85°C	-200	±17.5	+200	mV
			V _{CM} = -0.5V to +5.5V, T _A = -55°C to +125°C ⁽³⁾	-200		+200	mV
V _{HY}	Hysteresis			35		mV	
V _{IH}	Minimum High Level Input Voltage	EN, EN*	2.0			V	
V _{IL}	Maximum Low Level Input Voltage				0.8	V	
R _{IN}	Input Resistance		V _{IN} = -7V, +7V, T _A = -40°C to +85°C (Other Input = GND)	5.0	8.5		kΩ
			V _{IN} = -0.5V, +5.5V, T _A = -55°C to +125°C (Other Input = GND) ⁽³⁾	5.0			kΩ
I _{IN}	Input Current (Other Input = 0V, Power On, or V _{CC} = 0V)	RI+, RI-	V _{IN} = +10V	0	1.1	1.8	mA
			V _{IN} = +3V				
			V _{IN} = 0.5V				
			V _{IN} = -3V	0	-0.43		mA
			V _{IN} = -10V				
			V _{IN} = -0.5V	0		-1.8	mA
			V _{IN} = 5.5V				
					1.8	mA	
I _{EN}	Input Current	EN, EN*			±1	μA	
V _{OH}	High Level Output Voltage		I _{OH} = -6 mA, V _{ID} = +1V	2.4	3		V
			I _{OH} = -6 mA, V _{ID} = OPEN				
V _{OH}	High Level Output Voltage		I _{OH} = -100 μA, V _{ID} = +1V		V _{CC} - 0.1		V
			I _{OH} = -100 μA, V _{ID} = OPEN				
V _{OL}	Low Level Output Voltage			0.13	0.5		V
I _{OZ}	Output TRI-STATE Leakage Current		V _{OUT} = V _{CC} or GND			±50	μA
			EN = V _{IL} , EN* = V _{IH}				
I _{SC}	Output Short Circuit Current		-10	-35	-70		mA
I _{CC}	Power Supply Current	V _{CC}	No Load, All RI+, R1- = OPEN, EN, EN* = V _{CC} or GND		9	15	mA
			T _A = -40°C to +85°C				
						20	mA

(1) Current into device pins is defined as positive. Current out of device pins is defined as negative. All voltages are referenced to ground except V_{ID}.

(2) All typicals are given for: V_{CC} = +3.3V, T_A = +25°C.

(3) This parameter does not meet the TIA/EIA-422-B specification.

(4) Short one output at a time to ground. Do not exceed package.

DS26LV32AT

SNLS128C – APRIL 1999 – REVISED FEBRUARY 2013

www.ti.com

Switching Characteristics - Industrial ^{(1) (2)}

Over Supply Voltage and -40°C to +85°C Operating Temperature range, unless otherwise specified.

Parameter		Test Conditions	Min	Typ	Max	Units
t _{PHL}	Propagation Delay High to Low	C _L = 15 pF, V _{CM} = 1.5V (Figure 2 and Figure 3)	6	17.5	35	ns
t _{PLH}	Propagation Delay Low to High		6	17.8	35	ns
t _r	Rise Time (20% to 80%)			4.1	10	ns
t _f	Fall Time (80% to 20%)			3.3	10	ns
t _{PHZ}	Disable Time	C _L = 50 pF, V _{CM} = 1.5V (Figure 4 and Figure 5)			40	ns
t _{PLZ}	Disable Time				40	ns
t _{PZH}	Enable Time				40	ns
t _{PZL}	Enable Time				40	ns
t _{SK1}	Skew, t _{PHL} - t _{PLH} ⁽³⁾	C _L = 15 pF, V _{CM} = 1.5V		0.3	4	ns
t _{SK2}	Skew, Pin to Pin ⁽⁴⁾			0.6	4	ns
t _{SK3}	Skew, Part to Part ⁽²⁾			7	17	ns
f _{MAX}	Maximum Operating Frequency ⁽⁵⁾	C _L = 15 pF, V _{CM} = 1.5V	32			MHz

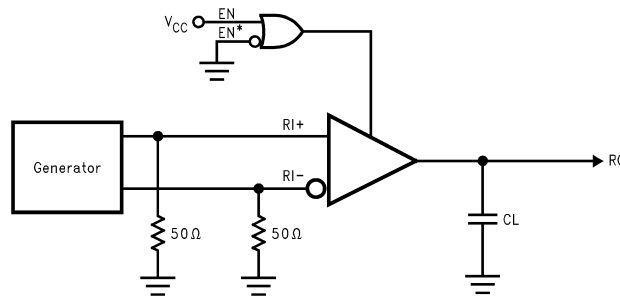
(1) All typicals are given for: V_{CC} = +3.3V, T_A = +25°C.(2) t_{SK3} is the difference in propagation delay times between any channels of any devices. This specification (maximum limit) applies to devices within V_{CC} ±0.1V of one another, and a Delta T_A = ±5°C (between devices) within the operating temperature range. This parameter is guaranteed by design and characterization.(3) t_{SK1} is the |t_{PHL} - t_{PLH}| of a channel.(4) t_{SK2} is the maximum skew between any two channels within a device, either edge.(5) All channels switching, Output Duty Cycle criteria is 40%/60% measured at 50%. Input = 1V to 2V, 50% Duty Cycle, t_r/t_f ≤ 5 ns. This parameter is guaranteed by design and characterization.**Switching Characteristics - Military**

Over Supply Voltage and -55°C to +125°C Operating Temperature range, unless otherwise specified.

Parameter		Test Conditions	Min	Max	Units
t _{PHL}	Propagation Delay High to Low	C _L = 50 pF, V _{CM} = 1.5V (Figure 2 and Figure 3)	6	45	ns
t _{PLH}	Propagation Delay Low to High		6	45	ns
t _{PHZ}	Disable Time	C _L = 50 pF, V _{CM} = 1.5V (Figure 4 and Figure 5)		50	ns
t _{PLZ}	Disable Time			50	ns
t _{PZH}	Enable Time			50	ns
t _{PZL}	Enable Time			50	ns
t _{SK1}	Skew, t _{PHL} - t _{PLH} ⁽¹⁾	C _L = 50 pF, V _{CM} = 1.5V		6	ns
t _{SK2}	Skew, Pin to Pin ⁽²⁾			6	ns

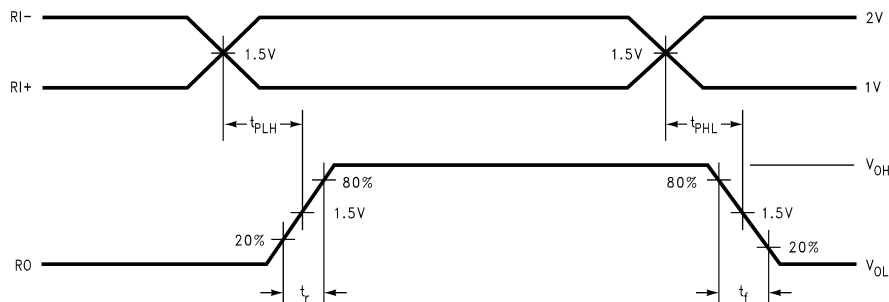
(1) t_{SK1} is the |t_{PHL} - t_{PLH}| of a channel.(2) t_{SK2} is the maximum skew between any two channels within a device, either edge.

PARAMETER MEASUREMENT INFORMATION



- A. Generator waveform for all tests unless otherwise specified: $f = 1 \text{ MHz}$, Duty Cycle = 50%, $Z_O = 50\Omega$, $t_r \leq 10 \text{ ns}$, $t_f \leq 10 \text{ ns}$.
- B. C_L includes probe and jig capacitance.

Figure 2. Receiver Propagation Delay and Transition Time Test Circuit



- A. Generator waveform for all tests unless otherwise specified: $f = 1 \text{ MHz}$, Duty Cycle = 50%, $Z_O = 50\Omega$, $t_r \leq 10 \text{ ns}$, $t_f \leq 10 \text{ ns}$.
- B. C_L includes probe and jig capacitance.
- C. For military grade product, $t_r \leq 6\text{ns}$ and $t_f \leq 6\text{ns}$.
- D. For military grade product the measure point is $1/2 V_{CC}$ for t_{PLH} , t_{PHL} , t_{PZL} , and t_{PZH} .

Figure 3. Receiver Propagation Delay and Transition Time Waveform

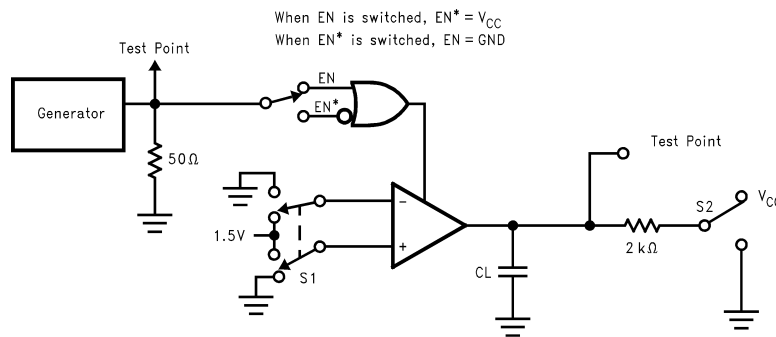
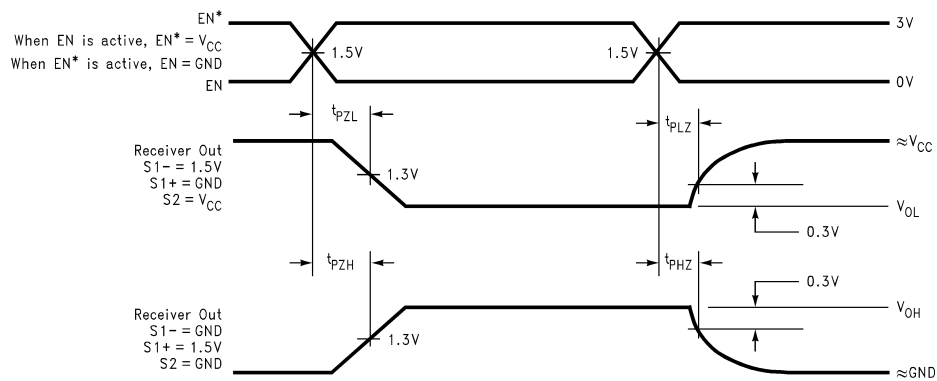


Figure 4. Receiver TRI-STATE Test Circuit



- Generator waveform for all tests unless otherwise specified: $f = 1$ MHz, Duty Cycle = 50%, $Z_O = 50\Omega$, $t_r \leq 10$ ns, $t_f \leq 10$ ns.
- C_L includes probe and jig capacitance.
- For military grade product, $t_r \leq 6$ ns and $t_f \leq 6$ ns.
- For military grade product the measure point is $1/2 V_{CC}$ for t_{PLH} , t_{PHL} , t_{PZL} , and t_{PZH} .

Figure 5. Receiver TRI-STATE Output Enable and Disable Waveforms

TYPICAL APPLICATION INFORMATION

General application guidelines and hints for differential drivers and receivers may be found in the following application notes:

- AN-214
- AN-457
- AN-805
- AN-847
- AN-903
- AN-912
- AN-916

Power Decoupling Recommendations:

Bypass caps must be used on power pins. High frequency ceramic (surface mount is recommended) 0.1 μF in parallel with 0.01 μF at the power supply pin. A 10 μF or greater solid tantalum or electrolytic should be connected at the power entry point on the printed circuit board.

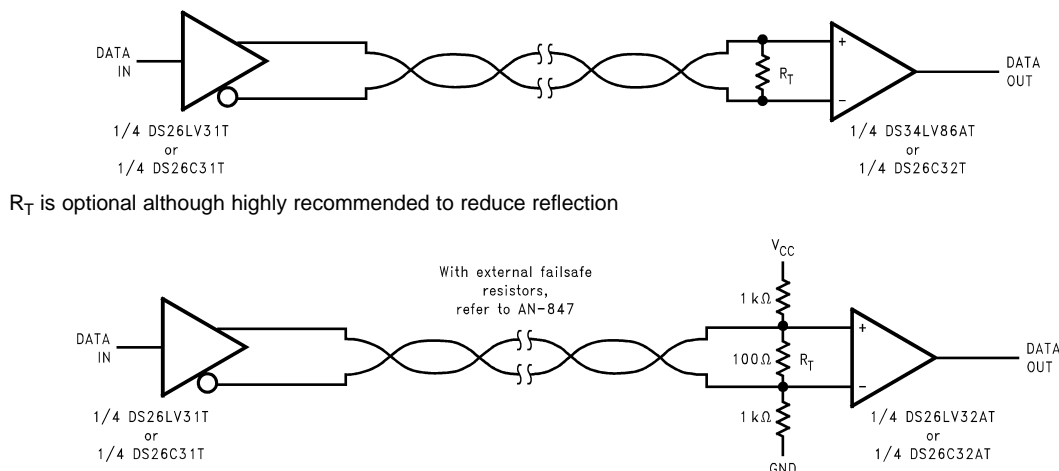


Figure 6. Typical Receiver Connections

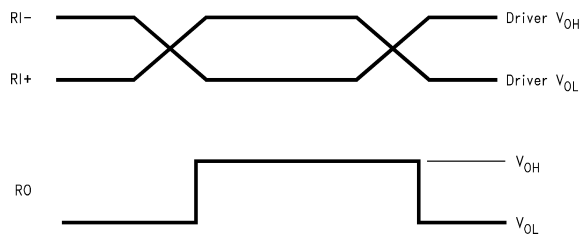


Figure 7. Typical Receiver Output Waveforms

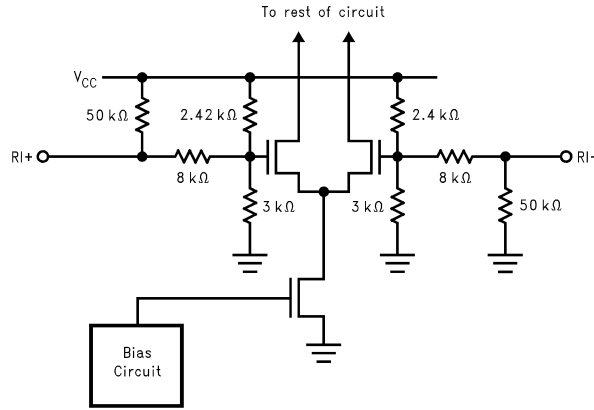


Figure 8. Typical Receiver Input Circuit

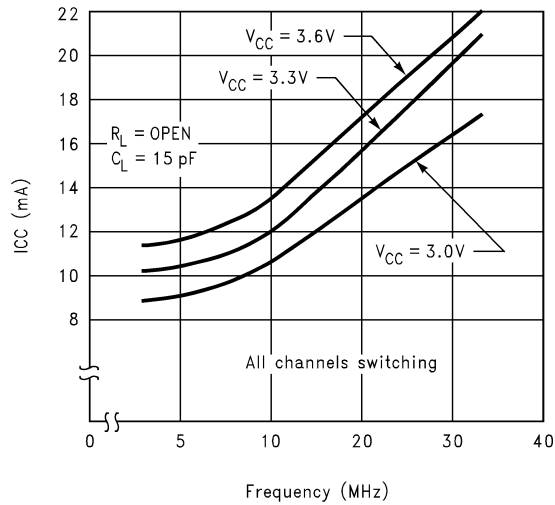


Figure 9. Typical I_{CC} vs Frequency

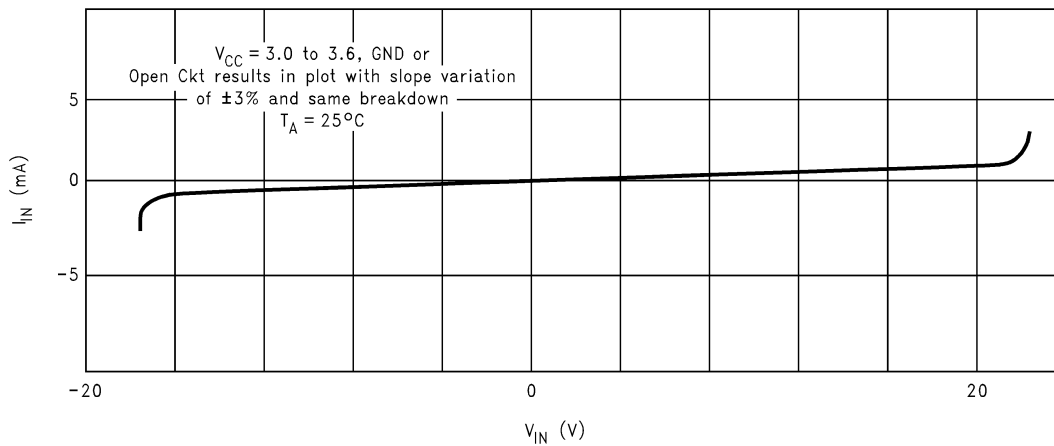


Figure 10. Receiver I_{IN} vs V_{IN} (Power On or Power Off)

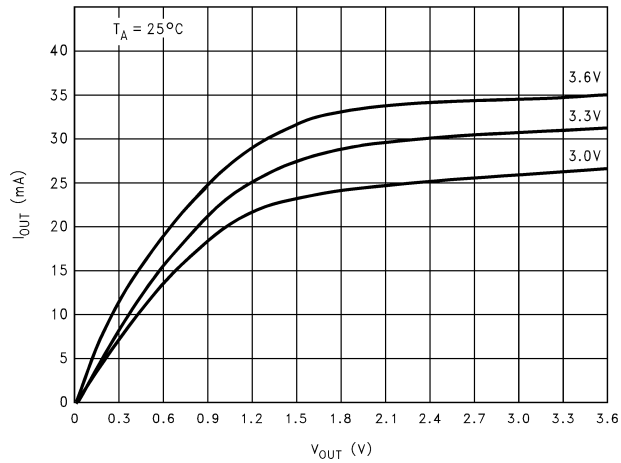


Figure 11. I_{OL} vs V_{OL}

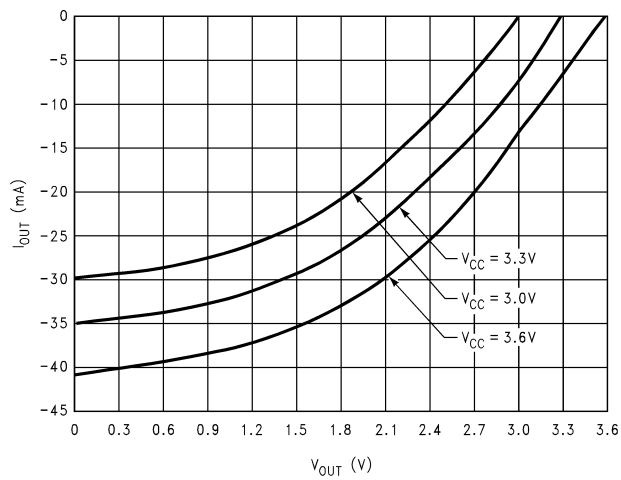


Figure 12. I_{OH} vs V_{OH}

REVISION HISTORY

Changes from Revision B (February 2013) to Revision C	Page
• Changed layout of National Data Sheet to TI format	9

PACKAGING INFORMATION

Orderable part number	Status (1)	Material type (2)	Package Pins	Package qty Carrier	RoHS (3)	Lead finish/ Ball material (4)	MSL rating/ Peak reflow (5)	Op temp (°C)	Part marking (6)
DS26LV32ATMX/NOPB.B	Obsolete	Production	SOIC (D) 16	-	-	Call TI	Call TI	-40 to 85	

(1) **Status:** For more details on status, see our [product life cycle](#).

(2) **Material type:** When designated, preproduction parts are prototypes/experimental devices, and are not yet approved or released for full production. Testing and final process, including without limitation quality assurance, reliability performance testing, and/or process qualification, may not yet be complete, and this item is subject to further changes or possible discontinuation. If available for ordering, purchases will be subject to an additional waiver at checkout, and are intended for early internal evaluation purposes only. These items are sold without warranties of any kind.

(3) **RoHS values:** Yes, No, RoHS Exempt. See the [TI RoHS Statement](#) for additional information and value definition.

(4) **Lead finish/Ball material:** Parts may have multiple material finish options. Finish options are separated by a vertical ruled line. Lead finish/Ball material values may wrap to two lines if the finish value exceeds the maximum column width.

(5) **MSL rating/Peak reflow:** The moisture sensitivity level ratings and peak solder (reflow) temperatures. In the event that a part has multiple moisture sensitivity ratings, only the lowest level per JEDEC standards is shown. Refer to the shipping label for the actual reflow temperature that will be used to mount the part to the printed circuit board.

(6) **Part marking:** There may be an additional marking, which relates to the logo, the lot trace code information, or the environmental category of the part.

Multiple part markings will be inside parentheses. Only one part marking contained in parentheses and separated by a "-" will appear on a part. If a line is indented then it is a continuation of the previous line and the two combined represent the entire part marking for that device.

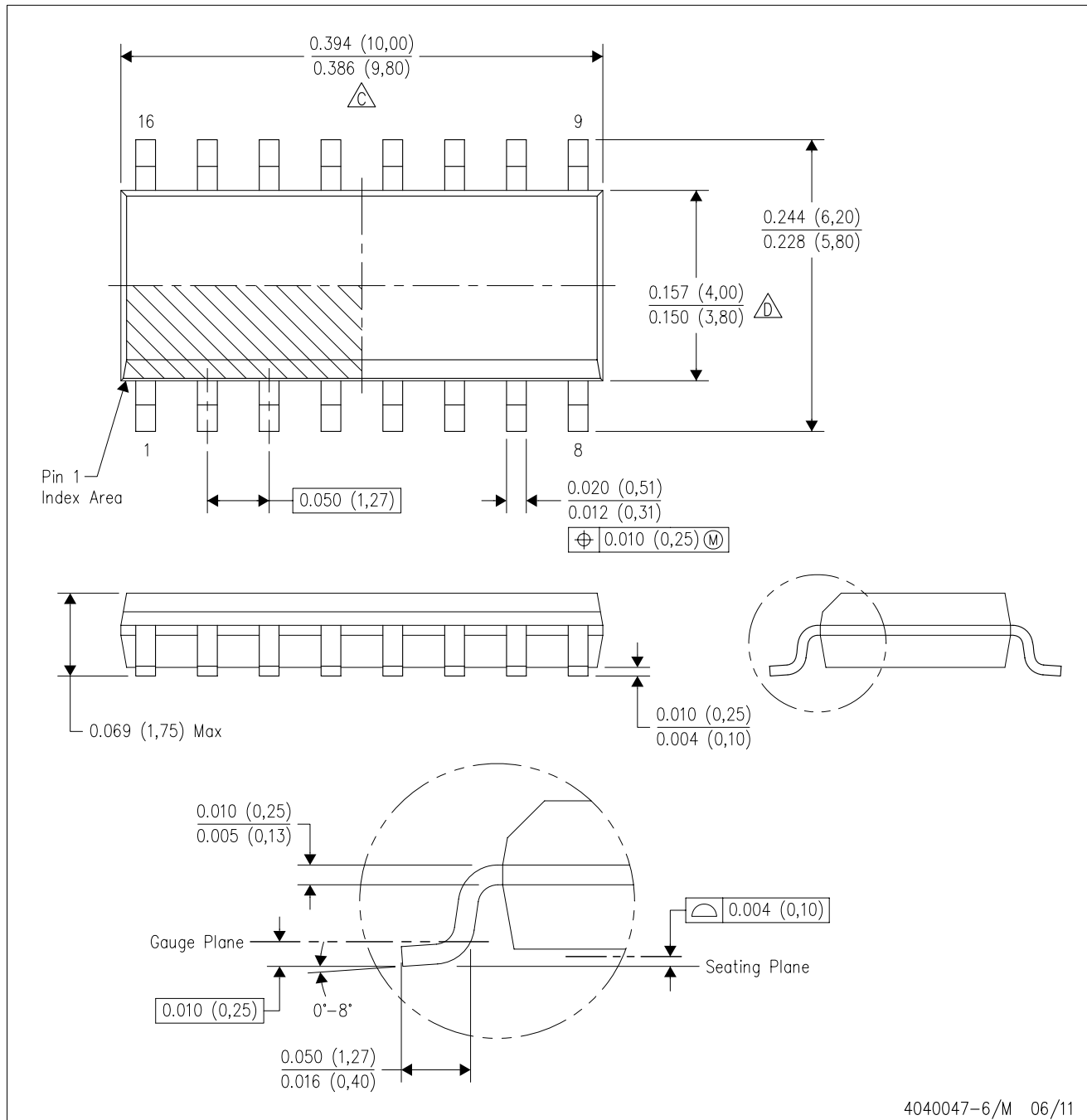
Important Information and Disclaimer: The information provided on this page represents TI's knowledge and belief as of the date that it is provided. TI bases its knowledge and belief on information provided by third parties, and makes no representation or warranty as to the accuracy of such information. Efforts are underway to better integrate information from third parties. TI has taken and continues to take reasonable steps to provide representative and accurate information but may not have conducted destructive testing or chemical analysis on incoming materials and chemicals. TI and TI suppliers consider certain information to be proprietary, and thus CAS numbers and other limited information may not be available for release.

In no event shall TI's liability arising out of such information exceed the total purchase price of the TI part(s) at issue in this document sold by TI to Customer on an annual basis.

MECHANICAL DATA

D (R-PDSO-G16)

PLASTIC SMALL OUTLINE



- NOTES:
- All linear dimensions are in inches (millimeters).
 - This drawing is subject to change without notice.
 - Body length does not include mold flash, protrusions, or gate burrs. Mold flash, protrusions, or gate burrs shall not exceed 0.006 (0,15) each side.
 - Body width does not include interlead flash. Interlead flash shall not exceed 0.017 (0,43) each side.
 - Reference JEDEC MS-012 variation AC.

IMPORTANT NOTICE AND DISCLAIMER

TI PROVIDES TECHNICAL AND RELIABILITY DATA (INCLUDING DATASHEETS), DESIGN RESOURCES (INCLUDING REFERENCE DESIGNS), APPLICATION OR OTHER DESIGN ADVICE, WEB TOOLS, SAFETY INFORMATION, AND OTHER RESOURCES "AS IS" AND WITH ALL FAULTS, AND DISCLAIMS ALL WARRANTIES, EXPRESS AND IMPLIED, INCLUDING WITHOUT LIMITATION ANY IMPLIED WARRANTIES OF MERCHANTABILITY, FITNESS FOR A PARTICULAR PURPOSE OR NON-INFRINGEMENT OF THIRD PARTY INTELLECTUAL PROPERTY RIGHTS.

These resources are intended for skilled developers designing with TI products. You are solely responsible for (1) selecting the appropriate TI products for your application, (2) designing, validating and testing your application, and (3) ensuring your application meets applicable standards, and any other safety, security, regulatory or other requirements.

These resources are subject to change without notice. TI grants you permission to use these resources only for development of an application that uses the TI products described in the resource. Other reproduction and display of these resources is prohibited. No license is granted to any other TI intellectual property right or to any third party intellectual property right. TI disclaims responsibility for, and you fully indemnify TI and its representatives against any claims, damages, costs, losses, and liabilities arising out of your use of these resources.

TI's products are provided subject to [TI's Terms of Sale](#), [TI's General Quality Guidelines](#), or other applicable terms available either on [ti.com](#) or provided in conjunction with such TI products. TI's provision of these resources does not expand or otherwise alter TI's applicable warranties or warranty disclaimers for TI products. Unless TI explicitly designates a product as custom or customer-specified, TI products are standard, catalog, general purpose devices.

TI objects to and rejects any additional or different terms you may propose.

Copyright © 2026, Texas Instruments Incorporated

Last updated 10/2025

OUR CERTIFICATE

DiGi provide top-quality products and perfect service for customer worldwide through standardization, technological innovation and continuous improvement. DiGi through third-party certification, we stricly control the quality of products and services. Welcome your RFQ to

Email: Info@DiGi-Electronics.com



Tel: +00 852-30501935

RFQ Email: Info@DiGi-Electronics.com

DiGi is a global authorized distributor of electronic components.