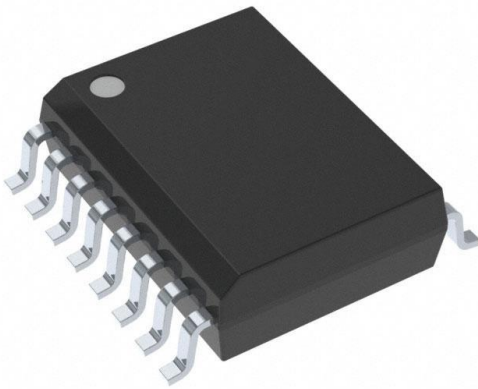


# ISO7331FCDW Datasheet

[www.digi-electronics.com](http://www.digi-electronics.com)



ISO7331FCDW

<https://www.DiGi-Electronics.com>

DiGi Electronics Part Number	ISO7331FCDW-DG
Manufacturer	<a href="#">Texas Instruments</a>
Manufacturer Product Number	ISO7331FCDW
Description	DGTL ISO 3000VRMS 3CH GP 16SOIC
Detailed Description	General Purpose Digital Isolator 3000Vrms 3 Channel 25Mbps 25kV/ $\mu$ s CMTI 16-SOIC (0.295", 7.50mm Width)



Tel: +00 852-30501935

RFQ Email: [Info@DiGi-Electronics.com](mailto:Info@DiGi-Electronics.com)

DiGi is a global authorized distributor of electronic components.

## Purchase and inquiry

Manufacturer Product Number:

ISO7331FCDW

Series:

-

Technology:

Capacitive Coupling

Isolated Power:

No

Inputs - Side 1/Side 2:

2/1

Voltage - Isolation:

3000Vrms

Data Rate:

25Mbps

Pulse Width Distortion (Max):

4ns

Voltage - Supply:

3V ~ 5.5V

Mounting Type:

Surface Mount

Supplier Device Package:

16-SOIC

Manufacturer:

Texas Instruments

Product Status:

Active

Type:

General Purpose

Number of Channels:

3

Channel Type:

Unidirectional

Common Mode Transient Immunity (Min):

25kV/ $\mu$ s

Propagation Delay tpLH / tpHL (Max):

58ns, 58ns

Rise / Fall Time (Typ):

3ns, 2ns

Operating Temperature:

-40°C ~ 125°C

Package / Case:

16-SOIC (0.295", 7.50mm Width)

Base Product Number:

ISO7331

## Environmental & Export classification

RoHS Status:

ROHS3 Compliant

REACH Status:

REACH Unaffected

HTSUS:

8542.39.0001

Moisture Sensitivity Level (MSL):

2 (1 Year)

ECCN:

EAR99



## ISO733x Robust EMC, Low Power, Triple-Channel Digital Isolators

### 1 Features

- Signaling Rate: 25 Mbps
- Integrated Noise Filter on the Inputs
- Default Output 'High' and 'Low' Options
- Low Power Consumption: Typical  $I_{CC}$  per Channel at 1 Mbps:
  - ISO7330: 1 mA (5 V Supplies), 0.8 mA (3.3 V Supplies)
  - ISO7331: 1.4 mA (5 V Supplies), 1 mA (3.3 V Supplies)
- Low Propagation Delay: 32 ns Typical (5V Supplies)
- Operates from 3.3 V and 5 V Supplies
- 3.3 V and 5 V Level Translation
- Wide Temperature Range:  $-40^{\circ}\text{C}$  to  $125^{\circ}\text{C}$
- 70 KV/ $\mu\text{s}$  Transient Immunity, Typical (5V Supplies)
- Robust Electromagnetic Compatibility (EMC)
  - System-level ESD, EFT, and Surge Immunity
  - Low Emissions
- Wide Body SOIC-16 Package
- Isolation Barrier Life: > 25 Years
- Safety and Regulatory Approvals:
  - 4242  $V_{PK}$  Isolation per DIN V VDE V 0884-10 and DIN EN 61010-1
  - 3000  $V_{RMS}$  Isolation for 1 minute per UL 1577
  - CSA Component Acceptance Notice 5A, IEC 60950-1 and IEC 61010-1 End Equipment Standards
  - CQC Certification per GB4943.1-2011

### 2 Applications

- Opto-Coupler Replacement in:
  - Industrial FieldBus
    - ProfiBus
    - ModBus
    - DeviceNet™ Data Buses
  - Servo Control Interface
  - Motor Control
  - Power Supplies
  - Battery Packs

### 3 Description

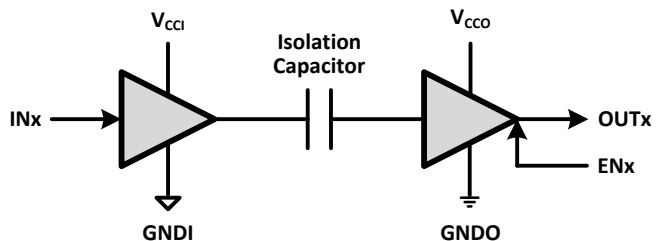
ISO733x provide galvanic isolation up to 3000  $V_{RMS}$  for 1 minute per UL and 4242  $V_{PK}$  per VDE. These devices have three isolated channels comprised of logic input and output buffers separated by a silicon dioxide ( $\text{SiO}_2$ ) insulation barrier. ISO7330 has all three channels in the same direction while ISO7331 has two channels in forward and one channel in reverse direction. In case of input power or signal loss, default output is 'low' for devices with suffix 'F' and 'high' for devices without suffix 'F'. Used in conjunction with isolated power supplies, these devices prevent noise currents on a data bus or other circuits from entering the local ground and interfering with or damaging sensitive circuitry. ISO733x has integrated noise filter for harsh industrial environment where short noise pulses may be present at the device input pins. ISO733x has TTL input thresholds and operates from 3 V to 5.5 V supply levels. Through innovative chip design and layout techniques, electromagnetic compatibility of ISO733x has been significantly enhanced to enable system-level ESD, EFT, Surge and Emissions compliance.

#### Device Information<sup>(1)</sup>

PART NUMBER	PACKAGE	BODY SIZE (NOM)
ISO7330C	SOIC (16)	10,3mm x 7,5mm
ISO7330FC		
ISO7331C		
ISO7331FC		

(1) For all available packages, see the orderable addendum at the end of the datasheet.

#### Simplified Schematic



(1)  $V_{CCI}$  and  $GNDI$  are supply and ground connections respectively for the input channels.

(2)  $V_{CCO}$  and  $GNDO$  are supply and ground connections respectively for the output.



**ISO7330C, ISO7330FC, ISO7331C, ISO7331FC**

SLLSEK9B – JANUARY 2015 – REVISED APRIL 2015

www.ti.com

**Table of Contents**

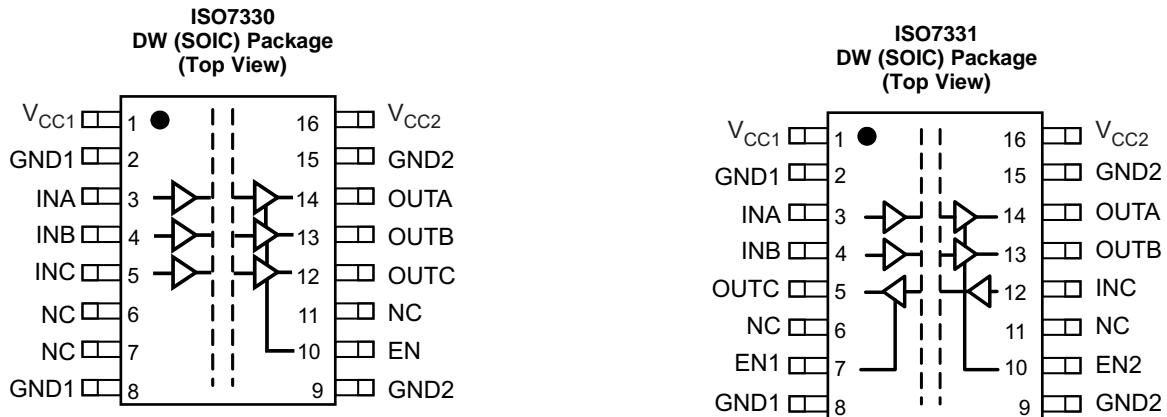
<b>1 Features</b> .....	1	8.2 Functional Block Diagram .....	12
<b>2 Applications</b> .....	1	8.3 Feature Description .....	13
<b>3 Description</b> .....	1	8.4 Device Functional Modes .....	16
<b>4 Revision History</b> .....	2	<b>9 Applications and Implementation</b> .....	17
<b>5 Pin Configuration and Functions</b> .....	3	9.1 Application Information .....	17
<b>6 Specifications</b> .....	4	9.2 Typical Application .....	17
6.1 Absolute Maximum Ratings .....	4	<b>10 Power Supply Recommendations</b> .....	19
6.2 ESD Ratings .....	4	<b>11 Layout</b> .....	20
6.3 Recommended Operating Conditions .....	4	11.1 PCB Material .....	20
6.4 Thermal Information .....	4	11.2 Layout Guidelines .....	20
6.5 Electrical Characteristics .....	5	11.3 Layout Example .....	20
6.6 Electrical Characteristics .....	6	<b>12 Device and Documentation Support</b> .....	21
6.7 Switching Characteristics .....	7	12.1 Related Links .....	21
6.8 Switching Characteristics .....	7	12.2 Trademarks .....	21
6.9 Typical Characteristics .....	8	12.3 Electrostatic Discharge Caution .....	21
<b>7 Parameter Measurement Information</b> .....	10	12.4 Glossary .....	21
<b>8 Detailed Description</b> .....	12	<b>13 Mechanical, Packaging, and Orderable Information</b> .....	21
8.1 Overview .....	12		

**4 Revision History**

<b>Changes from Revision A (April 2015) to Revision B</b>	<b>Page</b>
• Changed "(VDE V 0884-10):2006-12" To "and DIN EN 61010-1" in the 4242 V <sub>PK</sub> in the <i>Features</i> .....	1
• Changed From: V <sub>CCI</sub> To: V <sub>CC</sub> in <i>Figure 12</i> .....	10
• Deleted IEC from the section title: <i>Package Insulation Specifications</i> .....	13
• Changed the CTI Test Conditions in <i>Package Insulation Specifications</i> .....	13
• Changed V <sub>ISO</sub> Test Condition in the <i>Insulation Characteristics</i> table .....	14
• Deleted the V <sub>ISO</sub> Specification 3600 in the <i>Insulation Characteristics</i> table .....	14

<b>Changes from Original (January 2015) to Revision A</b>	<b>Page</b>
• Changed the device From: Product Preview To: Production data .....	1
• Changed <i>Features</i> From: ISO7330: TBD mA To: 1 mA .....	1
• Changed <i>Features</i> From: ISO731: TBD mA (3.3 V Supplies) To: 0.8 mA .....	1
• Changed <i>Features</i> From: ISO731: TBD mA (5 V Supplies) To: 1.4 mA .....	1
• Changed <i>Features</i> From: 65 KV/μs Transient Immunity To: 70 KV/μs Transient Immunity .....	1
• Changed the Safety and Regulatory Approvals <i>Features</i> .....	1
• Changed the <i>Simplified Schematic</i> and added Notes 1 and 2 .....	1

## 5 Pin Configuration and Functions



### Pin Functions

NAME	PIN		I/O	DESCRIPTION
	ISO7330	ISO7331		
V <sub>CC1</sub>	1	1	–	Power supply, V <sub>CC1</sub>
V <sub>CC2</sub>	16	16	–	Power supply, V <sub>CC2</sub>
GND1	2, 8	2, 8	–	Ground connection for V <sub>CC1</sub>
GND2	9, 15	9, 15	–	Ground connection for V <sub>CC2</sub>
INA	3	3	I	Input, channel A
INB	4	4	I	Input, channel B
INC	5	12	I	Input, channel C
NC	6, 7, 11	6, 11	–	No Connect. These pins have no internal connection.
OUTA	14	14	O	Output, channel A
OUTB	13	13	O	Output, channel B
OUTC	12	5	O	Output, channel C
EN	10	–	I	Output enable. OUTA, OUTB, and OUTC are enabled when EN is high or disconnected and disabled when EN is low.
EN1	–	7	I	Output enable 1. OUTC is enabled when EN1 is high or disconnected and disabled when EN1 is low.
EN2	–	10	I	Output enable 2. OUTA and OUTB are enabled when EN2 is high or disconnected and disabled when EN2 is low.

**ISO7330C, ISO7330FC, ISO7331C, ISO7331FC**

SLLSEK9B – JANUARY 2015 – REVISED APRIL 2015

www.ti.com

**6 Specifications****6.1 Absolute Maximum Ratings<sup>(1)</sup>**

		MIN	MAX	UNIT
Supply voltage <sup>(2)</sup>	$V_{CC1}, V_{CC2}$	-0.5	6	V
Voltage <sup>(2)</sup>	INx, OUTx, ENx	-0.5	$V_{CC}+0.5$ <sup>(3)</sup>	V
Output current, $I_O$			±15	mA
Junction temperature, $T_J$			150	°C
Storage temperature, $T_{stg}$		-65	150	°C

- (1) Stresses beyond those listed under *absolute maximum ratings* may cause permanent damage to the device. These are stress ratings only and functional operation of the device at these or any other conditions beyond those indicated under *recommended operating conditions* is not implied. Exposure to absolute-maximum-rated conditions for extended periods may affect device reliability.
- (2) All voltage values are with respect to network ground terminal and are peak voltage values.
- (3) Maximum voltage must not exceed 6 V.

**6.2 ESD Ratings**

		VALUE	UNIT
$V_{ESD}$	Human body model (HBM), per ANSI/ESDA/JEDEC JS-001 <sup>(1)</sup>	±4000	V
	Charged device model (CDM), per JEDEC specification JESD22-C101 <sup>(2)</sup>	±1500	V

- (1) JEDEC document JEP155 states that 500-V HBM allows safe manufacturing with a standard ESD control process.
- (2) JEDEC document JEP157 states that 250-V CDM allows safe manufacturing with a standard ESD control process.

**6.3 Recommended Operating Conditions**

		MIN	TYP	MAX	UNIT
$V_{CC1}, V_{CC2}$	Supply voltage	3		5.5	V
$I_{OH}$	High-level output current	-4			mA
$I_{OL}$	Low-level output current			4	mA
$V_{IH}$	High-level input voltage	2		5.5	V
$V_{IL}$	Low-level input voltage	0		0.8	V
$t_{ui}$	Input pulse duration	40			ns
$1 / t_{ui}$	Signaling rate	0		25	Mbps
$T_J$ <sup>(1)</sup>	Junction temperature			136	°C
$T_A$	Ambient temperature	-40	25	125	°C

- (1) To maintain the recommended operating conditions for  $T_J$ , see the [Thermal Information](#) table.

**6.4 Thermal Information**

THERMAL METRIC <sup>(1)</sup>		DW PACKAGE	UNIT
		(16) PINS	
$R_{\theta JA}$	Junction-to-ambient thermal resistance	78.3	°C/W
$R_{\theta Jtop}$	Junction-to-case (top) thermal resistance	40.9	
$R_{\theta JB}$	Junction-to-board thermal resistance	42.9	
$\Psi_{JT}$	Junction-to-top characterization parameter	15.3	
$\Psi_{JB}$	Junction-to-board characterization parameter	42.4	
$R_{\theta Jcbot}$	Junction-to-case (bottom) thermal resistance	N/A	
$P_D$ (ISO7330)	Maximum Power Dissipation by ISO7330	70	mW
$P_{D1}$ (ISO7330)	Maximum Power Dissipation by Side-1 of ISO7330	20	
$P_{D2}$ (ISO7330)	Maximum Power Dissipation by Side-2 of ISO7330	50	
$P_D$ (ISO7331)	Maximum Power Dissipation by ISO7331	84	mW
$P_{D1}$ (ISO7331)	Maximum Power Dissipation by Side-1 of ISO7331	35	
$P_{D2}$ (ISO7331)	Maximum Power Dissipation by Side-2 of ISO7331	49	

- (1) For more information about traditional and new thermal metrics, see the IC Package Thermal Metrics application report, [SPRA953](#).

## 6.5 Electrical Characteristics

$V_{CC1}$  and  $V_{CC2}$  at 5 V  $\pm$  10% (over recommended operating conditions unless otherwise noted)

PARAMETER		TEST CONDITIONS		MIN	TYP	MAX	UNIT
$V_{OH}$	High-level output voltage	$I_{OH} = -4$ mA; see <a href="#">Figure 11</a>		$V_{CCO}^{(1)} - 0.5$	4.7		V
		$I_{OH} = -20$ $\mu$ A; see <a href="#">Figure 11</a>		$V_{CCO}^{(1)} - 0.1$	5		
$V_{OL}$	Low-level output voltage	$I_{OL} = 4$ mA; see <a href="#">Figure 11</a>			0.2	0.4	V
		$I_{OL} = 20$ $\mu$ A; see <a href="#">Figure 11</a>			0	0.1	
$V_{I(HYS)}$	Input threshold voltage hysteresis				480		mV
$I_{IH}$	High-level input current	$I_N = V_{CC}$				10	$\mu$ A
$I_{IL}$	Low-level input current	$I_N = 0$ V		-10			$\mu$ A
CMTI	Common-mode transient immunity	$V_I = V_{CC}$ or 0 V; see <a href="#">Figure 14</a> .		25	70		kV/ $\mu$ s
<b>SUPPLY CURRENT (All inputs switching with square wave clock signal for dynamic <math>I_{CC}</math> measurement)</b>							
<b>ISO7330</b>							
$I_{CC1}$	Supply current for $V_{CC1}$ and $V_{CC2}$	Disable	$V_I = V_{CC}$ or 0 V, $EN = 0$ V		0.5	1.1	mA
$I_{CC2}$					0.4	0.9	
$I_{CC1}$		DC to 1 Mbps	DC Input: $V_I = V_{CC}$ or 0 V, AC Input: $C_L = 15$ pF		0.5	1.1	
$I_{CC2}$					2.6	4.2	
$I_{CC1}$		10 Mbps	$C_L = 15$ pF		1.1	1.9	
$I_{CC2}$					4.3	6	
$I_{CC1}$		25 Mbps	$C_L = 15$ pF		2.1	3.3	
$I_{CC2}$					7	9.3	
<b>ISO7331</b>							
$I_{CC1}$	Supply current for $V_{CC1}$ and $V_{CC2}$	Disable	$V_I = V_{CC}$ or 0 V, $EN1 = EN2 = 0$ V		0.7	1.6	mA
$I_{CC2}$					0.7	1.3	
$I_{CC1}$		DC to 1 Mbps	DC Input: $V_I = V_{CC}$ or 0 V, AC Input: $C_L = 15$ pF		1.8	3	
$I_{CC2}$					2.4	3.6	
$I_{CC1}$		10 Mbps	$C_L = 15$ pF		2.8	4.1	
$I_{CC2}$					3.8	5.1	
$I_{CC1}$		25 Mbps	$C_L = 15$ pF		4.3	6.2	
$I_{CC2}$					5.8	7.8	

(1)  $V_{CCO}$  is supply voltage,  $V_{CC1}$  or  $V_{CC2}$ , for the output channel being measured.

**ISO7330C, ISO7330FC, ISO7331C, ISO7331FC**

SLLSEK9B – JANUARY 2015 – REVISED APRIL 2015

www.ti.com

**6.6 Electrical Characteristics** $V_{CC1}$  and  $V_{CC2}$  at 3.3 V  $\pm$  10% (over recommended operating conditions unless otherwise noted)

PARAMETER		TEST CONDITIONS		MIN	TYP	MAX	UNIT
$V_{OH}$	High-level output voltage	$I_{OH} = -4$ mA; see <a href="#">Figure 11</a>		$V_{CCO}^{(1)} - 0.5$	3		V
		$I_{OH} = -20$ $\mu$ A; see <a href="#">Figure 11</a>		$V_{CCO}^{(1)} - 0.1$	3.3		
$V_{OL}$	Low-level output voltage	$I_{OL} = 4$ mA; see <a href="#">Figure 11</a>			0.2	0.4	V
		$I_{OL} = 20$ $\mu$ A; see <a href="#">Figure 11</a>			0	0.1	
$V_{I(HYS)}$	Input threshold voltage hysteresis				425		mV
$I_{IH}$	High-level input current	$I_N = V_{CC}$				10	$\mu$ A
$I_{IL}$	Low-level input current	$I_N = 0$ V		-10			$\mu$ A
CMTI	Common-mode transient immunity	$V_I = V_{CC}$ or 0 V; see <a href="#">Figure 14</a>		25	50		kV/ $\mu$ s
<b>SUPPLY CURRENT(All inputs switching with square wave clock signal for dynamic <math>I_{CC}</math> measurement)</b>							
<b>ISO7330</b>							
$I_{CC1}$	Supply current for $V_{CC1}$ and $V_{CC2}$	Disable	$V_I = V_{CC}$ or 0 V, EN = 0 V		0.3	0.6	mA
$I_{CC2}$					0.3	0.6	
$I_{CC1}$		DC to 1 Mbps	DC Input: $V_I = V_{CC}$ or 0 V, AC Input: $C_L = 15$ pF		0.3	0.6	
$I_{CC2}$					2	3.1	
$I_{CC1}$		10 Mbps	$C_L = 15$ pF		0.7	1.1	
$I_{CC2}$					3.1	4.3	
$I_{CC1}$		25 Mbps	$C_L = 15$ pF		1.2	2	
$I_{CC2}$					4.8	6.3	
<b>ISO7331</b>							
$I_{CC1}$	Supply current for $V_{CC1}$ and $V_{CC2}$	Disable	$V_I = V_{CC}$ or 0 V, EN = 0 V		0.5	0.9	mA
$I_{CC2}$					0.5	0.8	
$I_{CC1}$		DC to 1 Mbps	DC Input: $V_I = V_{CC}$ or 0 V, AC Input: $C_L = 15$ pF		1.3	2.1	
$I_{CC2}$					1.7	2.6	
$I_{CC1}$		10 Mbps	$C_L = 15$ pF		1.9	2.7	
$I_{CC2}$					2.6	3.5	
$I_{CC1}$		25 Mbps	$C_L = 15$ pF		2.9	4.2	
$I_{CC2}$					3.9	5.2	

(1)  $V_{CCO}$  is supply voltage,  $V_{CC1}$  or  $V_{CC2}$ , for the output channel being measured.

## 6.7 Switching Characteristics

$V_{CC1}$  and  $V_{CC2}$  at 5 V  $\pm$  10% (over recommended operating conditions unless otherwise noted)

PARAMETER		TEST CONDITIONS	MIN	TYP	MAX	UNIT	
$t_{PLH}$ , $t_{PHL}$	Propagation delay time	See Figure 11	20	32	58	ns	
PWD <sup>(1)</sup>	Pulse width distortion $ t_{PHL} - t_{PLH} $				4	ns	
$t_{sk(o)}$ <sup>(2)</sup>	Channel-to-channel output skew time	Same direction channels			2.5	ns	
		Opposite direction channels			17		
$t_{sk(pp)}$ <sup>(3)</sup>	Part-to-part skew time				23	ns	
$t_r$	Output signal rise time	See Figure 11		3		ns	
$t_f$	Output signal fall time			2		ns	
$t_{PHZ}$	Disable propagation delay, high-to-high impedance output	See Figure 12		7	12	ns	
$t_{PLZ}$	Disable propagation delay, low-to-high impedance output			7	12		
$t_{PZH}$	Enable propagation delay, high impedance-to-high output		ISO733xC		7		12
			ISO733xFC		11000		23000 <sup>(4)</sup>
$t_{PZL}$	Enable propagation delay, high impedance-to-low output		ISO733xC		11000		23000 <sup>(4)</sup>
			ISO733xFC		7		12
$t_{fs}$	Fail-safe output delay time from input power loss	See Figure 13		7		$\mu$ s	

(1) Also known as pulse skew.

(2)  $t_{sk(o)}$  is the skew between outputs of a single device with all driving inputs connected together and the outputs switching in the same direction while driving identical loads.

(3)  $t_{sk(pp)}$  is the magnitude of the difference in propagation delay times between any terminals of different devices switching in the same direction while operating at identical supply voltages, temperature, input signals and loads.

(4) The enable signal rate should be  $\leq$  43 Kbps

## 6.8 Switching Characteristics

$V_{CC1}$  and  $V_{CC2}$  at 3.3 V  $\pm$  10% (over recommended operating conditions unless otherwise noted)

PARAMETER		TEST CONDITIONS	MIN	TYP	MAX	UNIT	
$t_{PLH}$ , $t_{PHL}$	Propagation delay time	See Figure 11	22	36	66	ns	
PWD <sup>(1)</sup>	Pulse width distortion $ t_{PHL} - t_{PLH} $				2.5	ns	
$t_{sk(o)}$ <sup>(2)</sup>	Channel-to-channel output skew time	Same direction channels			3	ns	
		Opposite direction channels			16		
$t_{sk(pp)}$ <sup>(3)</sup>	Part-to-part skew time				27	ns	
$t_r$	Output signal rise time	See Figure 11		3		ns	
$t_f$	Output signal fall time			2		ns	
$t_{PHZ}$	Disable propagation delay, high-to-high impedance output	See Figure 12		9	18	ns	
$t_{PLZ}$	Disable propagation delay, low-to-high impedance output			9	18		
$t_{PZH}$	Enable propagation delay, high impedance-to-high output		ISO733xC		9		18
			ISO733xFC		13000		24000 <sup>(4)</sup>
$t_{PZL}$	Enable propagation delay, high impedance-to-low output		ISO733xC		13000		24000 <sup>(4)</sup>
			ISO733xFC		9		18
$t_{fs}$	Fail-safe output delay time from input power loss	See Figure 13		7		$\mu$ s	

(1) Also known as pulse skew.

(2)  $t_{sk(o)}$  is the skew between outputs of a single device with all driving inputs connected together and the outputs switching in the same direction while driving identical loads.

(3)  $t_{sk(pp)}$  is the magnitude of the difference in propagation delay times between any terminals of different devices switching in the same direction while operating at identical supply voltages, temperature, input signals and loads.

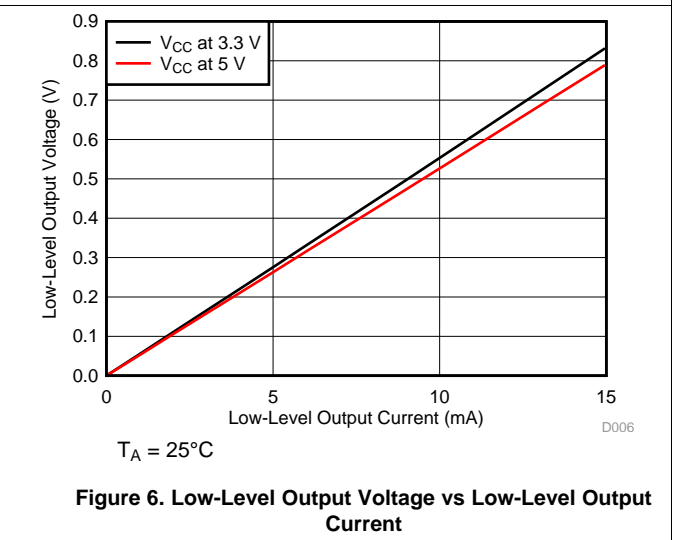
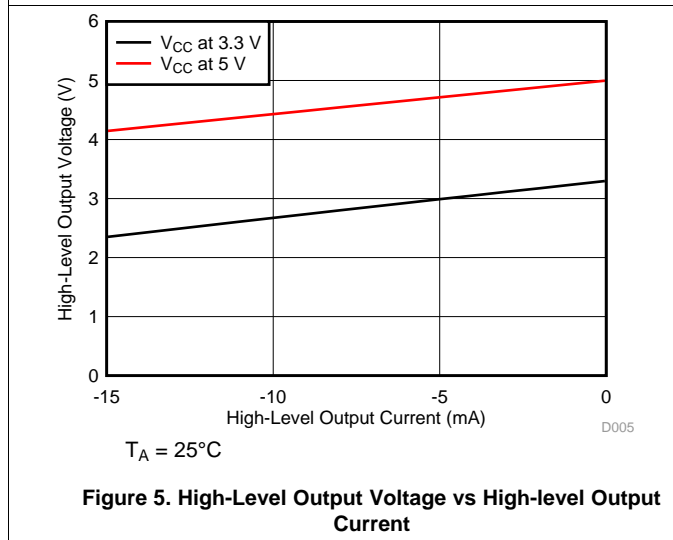
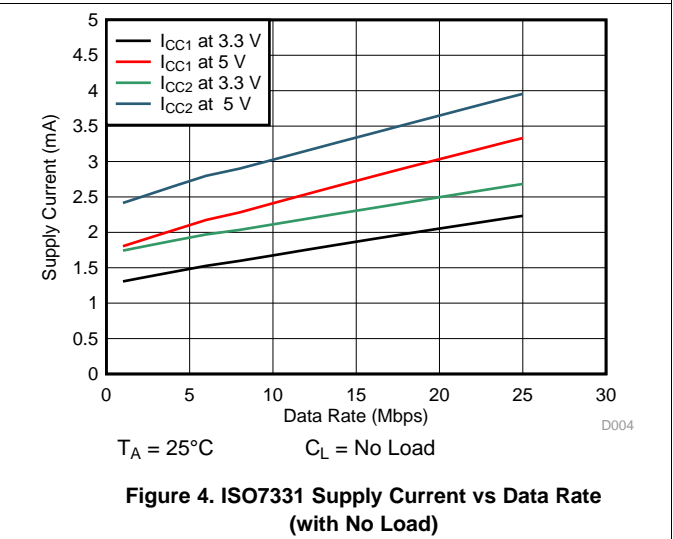
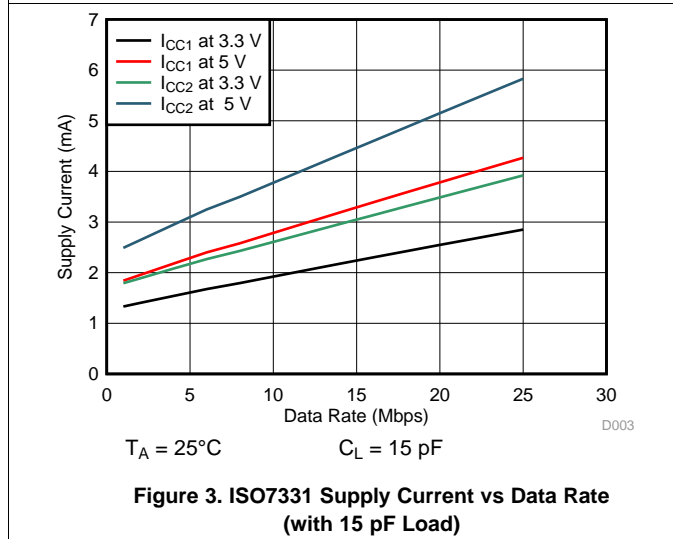
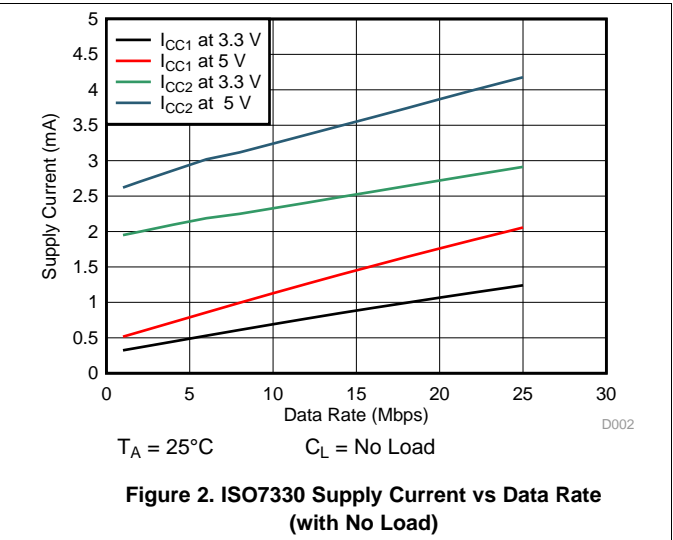
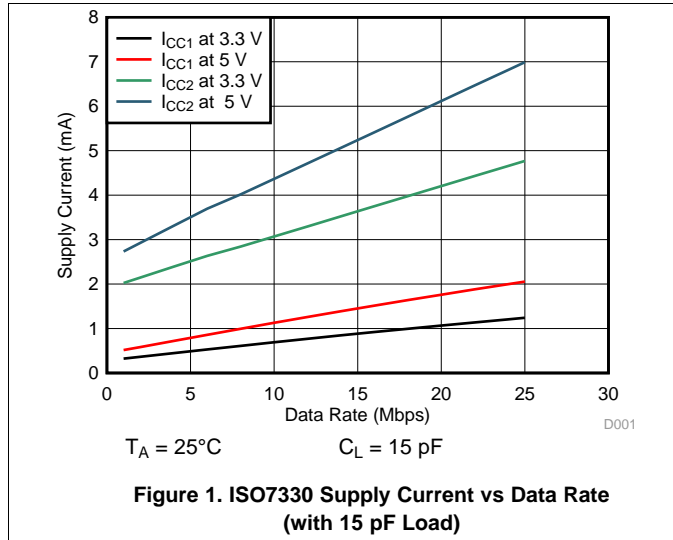
(4) The enable signal rate should be  $\leq$  41 Kbps

ISO7330C, ISO7330FC, ISO7331C, ISO7331FC

SLLSEK9B – JANUARY 2015 – REVISED APRIL 2015

www.ti.com

6.9 Typical Characteristics



Typical Characteristics (continued)

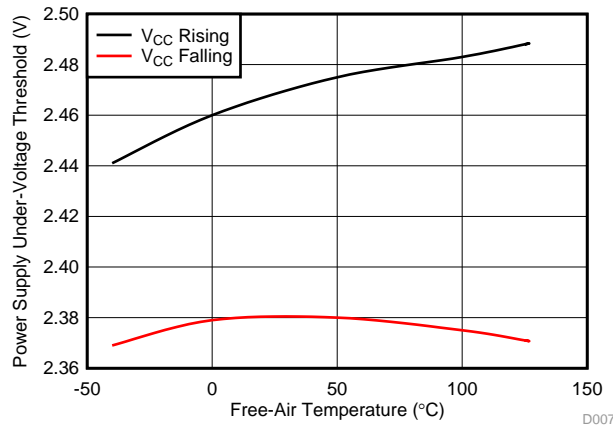


Figure 7. Power Supply Undervoltage Threshold vs Free-Air Temperature

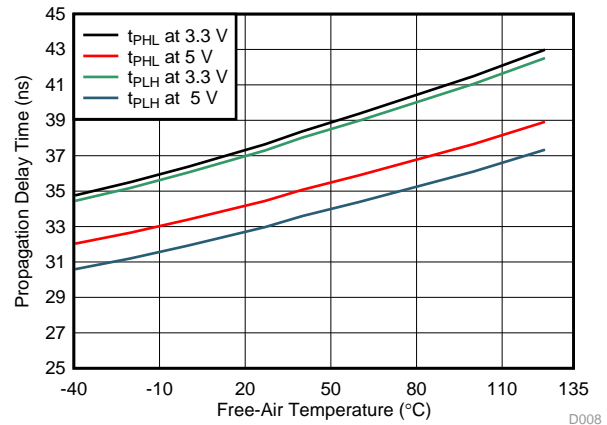


Figure 8. Propagation Delay Time vs Free-Air Temperature

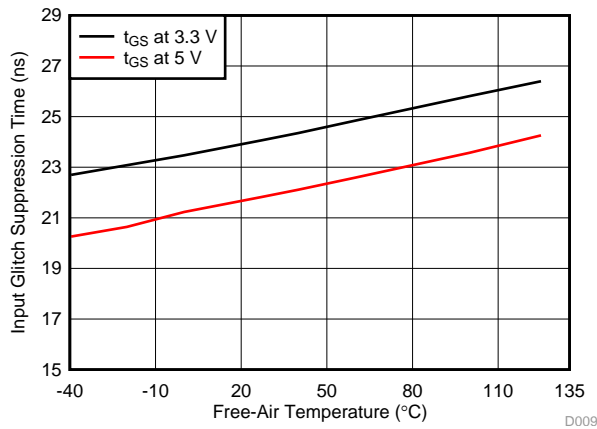


Figure 9. Input Glitch Suppression Time vs Free-Air Temperature

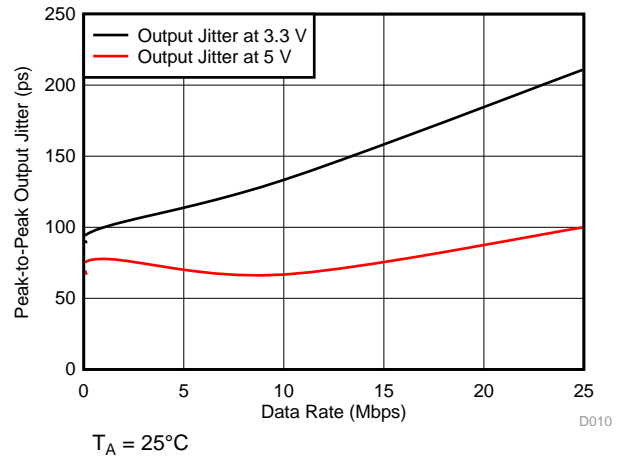


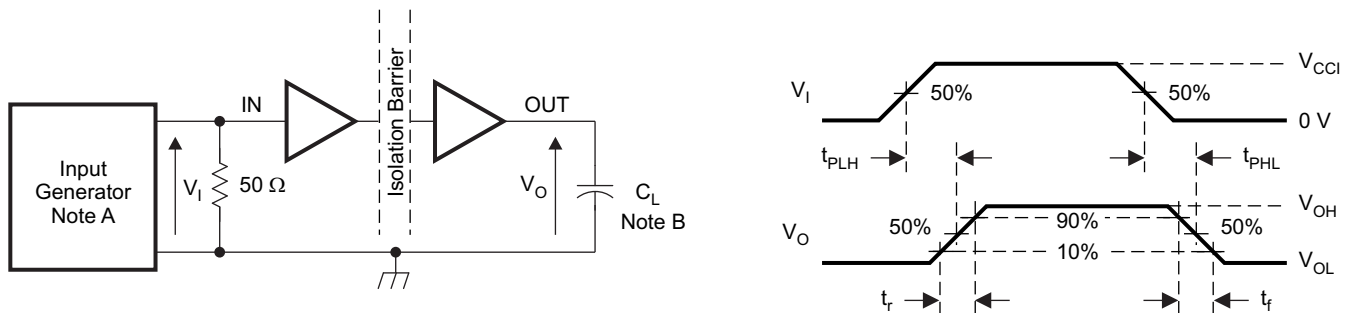
Figure 10. Output Jitter vs Data Rate

## ISO7330C, ISO7330FC, ISO7331C, ISO7331FC

SLLSEK9B – JANUARY 2015 – REVISED APRIL 2015

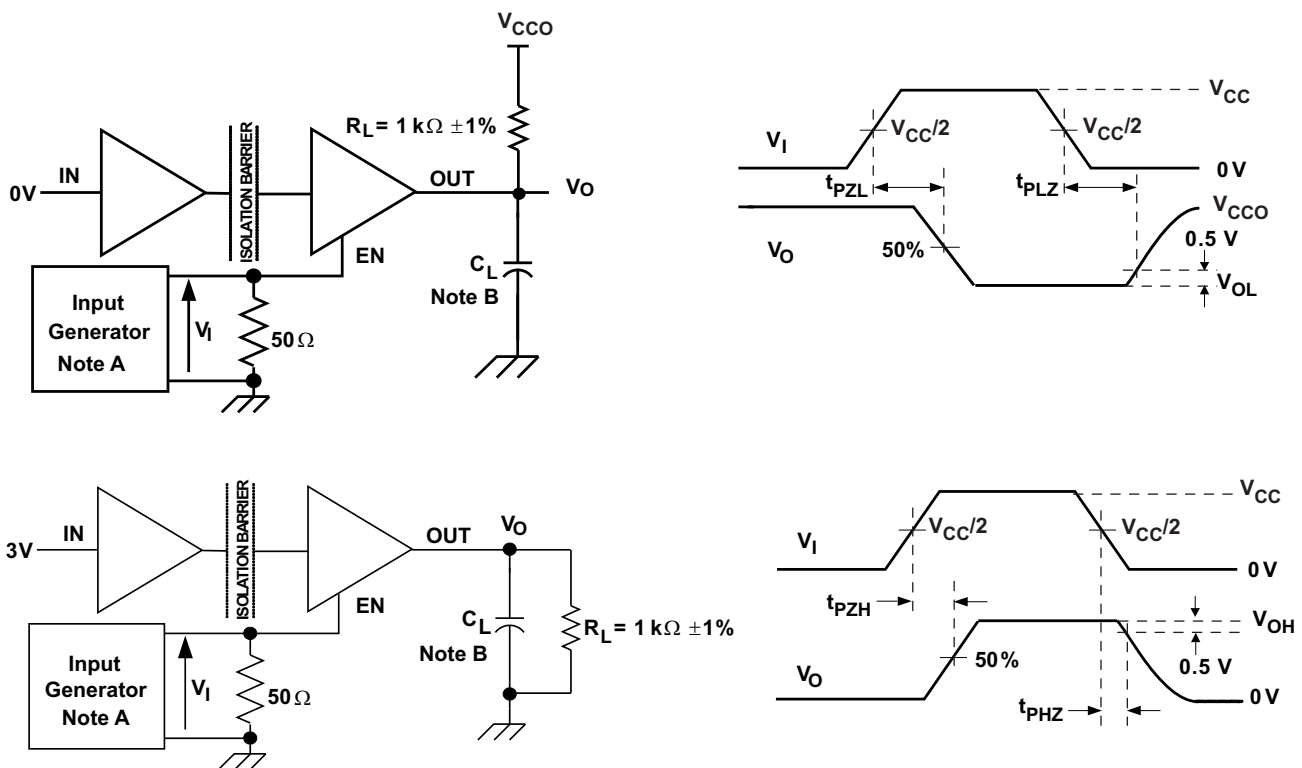
www.ti.com

## 7 Parameter Measurement Information



- The input pulse is supplied by a generator having the following characteristics: PRR  $\leq$  50 kHz, 50% duty cycle,  $t_r \leq 3$  ns,  $t_f \leq 3$  ns,  $Z_0 = 50 \Omega$ . At the input, a 50- $\Omega$  resistor is required to terminate the Input Generator signal. It is not needed in actual application.
- $C_L = 15$  pF and includes instrumentation and fixture capacitance within  $\pm 20\%$ .

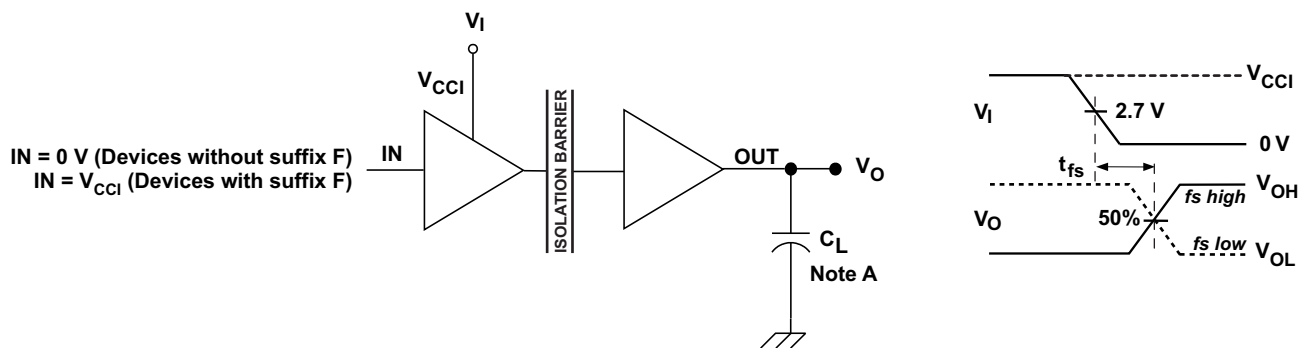
Figure 11. Switching Characteristic Test Circuit and Voltage Waveforms



- The input pulse is supplied by a generator having the following characteristics: PRR  $\leq$  10 kHz, 50% duty cycle,  $t_r \leq 3$  ns,  $t_f \leq 3$  ns,  $Z_0 = 50 \Omega$ .
- $C_L = 15$  pF and includes instrumentation and fixture capacitance within  $\pm 20\%$ .

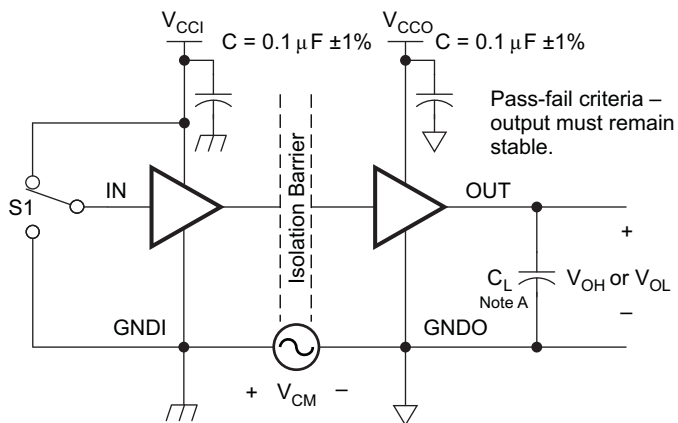
Figure 12. Enable/Disable Propagation Delay Time Test Circuit and Waveform

**Parameter Measurement Information (continued)**



A.  $C_L = 15 \text{ pF}$  and includes instrumentation and fixture capacitance within  $\pm 20\%$ .

**Figure 13. Fail-Safe Output Delay-Time Test Circuit and Voltage Waveforms**



A.  $C_L = 15 \text{ pF}$  and includes instrumentation and fixture capacitance within  $\pm 20\%$ .

**Figure 14. Common-Mode Transient Immunity Test Circuit**

**ISO7330C, ISO7330FC, ISO7331C, ISO7331FC**

SLLSEK9B – JANUARY 2015 – REVISED APRIL 2015

www.ti.com

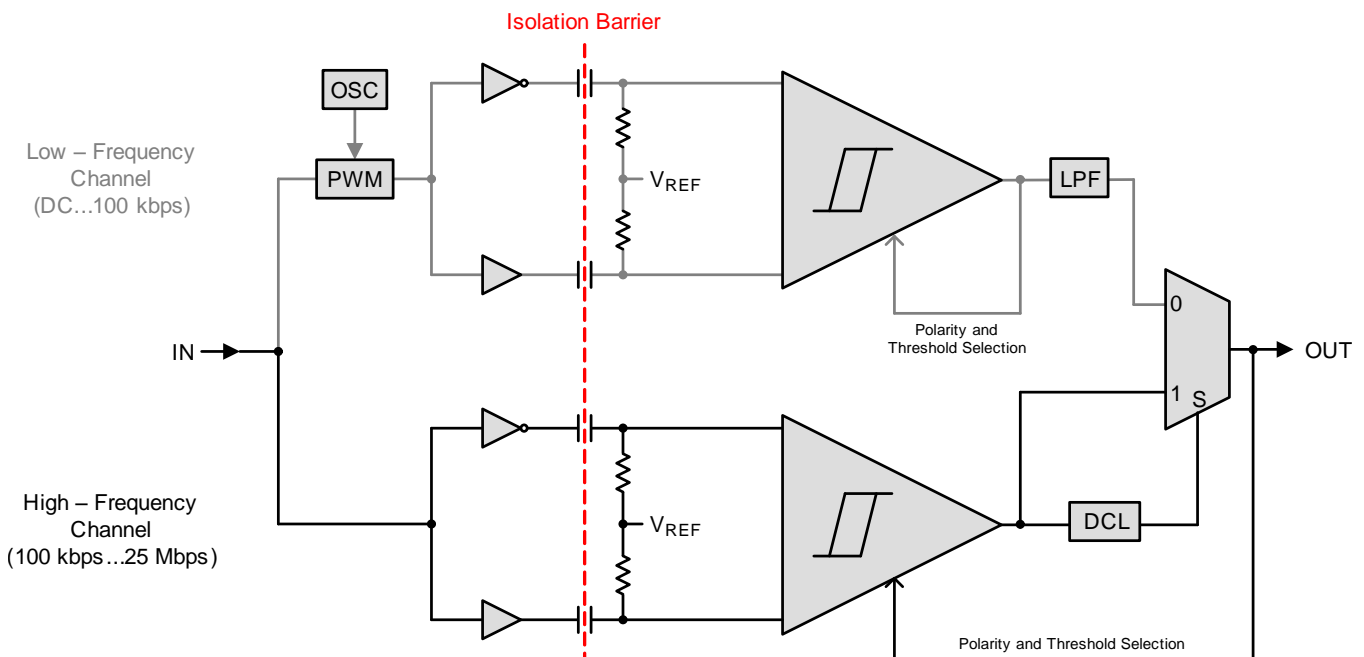
## 8 Detailed Description

### 8.1 Overview

The isolator in [Figure 15](#) is based on a capacitive isolation barrier technique. The I/O channel of the device consists of two internal data channels, a high-frequency (HF) channel with a bandwidth from 100 kbps up to 25 Mbps, and a low-frequency (LF) channel covering the range from 100 kbps down to DC.

In principle, a single-ended input signal entering the HF channel is split into a differential signal via the inverter gate at the input. The following capacitor-resistor networks differentiate the signal into transient pulses, which then are converted into CMOS levels by a comparator. The transient pulses at the input of the comparator can be either above or below the common mode voltage  $V_{REF}$  depending on whether the input bit transitioned from 0 to 1 or 1 to 0. The comparator threshold is adjusted based on the expected bit transition. A decision logic (DCL) at the output of the HF channel comparator measures the durations between signal transients. If the duration between two consecutive transients exceeds a certain time limit, (as in the case of a low-frequency signal), the DCL forces the output-multiplexer to switch from the high-frequency to the low-frequency channel.

### 8.2 Functional Block Diagram



**Figure 15. Conceptual Block Diagram of a Digital Capacitive Isolator**

Because low-frequency input signals require the internal capacitors to assume prohibitively large values, these signals are pulse-width modulated (PWM) with the carrier frequency of an internal oscillator, thus creating a sufficiently high frequency, capable of passing the capacitive barrier. As the input is modulated, a low-pass filter (LPF) is needed to remove the high-frequency carrier from the actual data before passing it on to the output multiplexer.

### 8.3 Feature Description

PRODUCT	CHANNEL DIRECTION	RATED ISOLATION	MAX DATA RATE	DEFAULT OUTPUT
ISO7330C	3 Forward, 0 Reverse	3000 V <sub>RMS</sub> / 4242 V <sub>PK</sub> <sup>(1)</sup>	25 Mbps	High
ISO7330FC				Low
ISO7331C	2 Forward, 1 Reverse			High
ISO7331FC				Low

(1) See the [Regulatory Information](#) section for detailed Isolation Ratings

#### 8.3.1 High Voltage Feature Description

##### 8.3.1.1 Package Insulation Specifications

over recommended operating conditions (unless otherwise noted)

PARAMETER		TEST CONDITIONS	MIN	TYP	MAX	UNIT
L(I01)	Minimum air gap (clearance)	Shortest terminal-to-terminal distance through air	8			mm
L(I02)	Minimum external tracking (creepage)	Shortest terminal-to-terminal distance across the package surface	8			mm
CTI	Tracking resistance (comparative tracking index)	DIN EN 60112 (VDE 0303-11); IEC 60112	>400			V
DTI	Minimum internal gap (internal clearance)	Distance through the insulation	13			μm
R <sub>IO</sub>	Isolation resistance, input to output <sup>(1)</sup>	V <sub>IO</sub> = 500 V, T <sub>A</sub> = 25°C	>10 <sup>12</sup>			Ω
		V <sub>IO</sub> = 500 V, 100°C ≤ T <sub>A</sub> ≤ max	>10 <sup>11</sup>			Ω
C <sub>IO</sub>	Isolation capacitance, input to output <sup>(1)</sup>	V <sub>IO</sub> = 0.4 sin (2πft), f = 1 MHz		2		pF
C <sub>I</sub>	Input capacitance <sup>(2)</sup>	V <sub>I</sub> = V <sub>CC</sub> /2 + 0.4 sin (2πft), f = 1 MHz, V <sub>CC</sub> = 5 V		2		pF

(1) All pins on each side of the barrier tied together creating a two-terminal device.

(2) Measured from input pin to ground.

#### NOTE

Creepage and clearance requirements should be applied according to the specific equipment isolation standards of an application. Care should be taken to maintain the creepage and clearance distance of a board design to ensure that the mounting pads of the isolator on the printed-circuit board do not reduce this distance.

Creepage and clearance on a printed-circuit board become equal in certain cases. Techniques such as inserting grooves and/or ribs on a printed circuit board are used to help increase these specifications.

**ISO7330C, ISO7330FC, ISO7331C, ISO7331FC**

SLLSEK9B – JANUARY 2015 – REVISED APRIL 2015

www.ti.com

**8.3.1.2 Insulation Characteristics**

over recommended operating conditions (unless otherwise noted)

PARAMETER <sup>(1)</sup>		TEST CONDITIONS	SPECIFICATION	UNIT
V <sub>IOWM</sub>	Maximum isolation working voltage		1000	V <sub>RMS</sub>
V <sub>IORM</sub>	Maximum repetitive peak voltage per DIN V VDE V 0884-10		1414	V <sub>PK</sub>
V <sub>PR</sub>	Input-to-output test voltage per DIN V VDE V 0884-10	After Input/Output safety test subgroup 2/3, V <sub>PR</sub> = V <sub>IORM</sub> × 1.2, t = 10 s, Partial discharge < 5 pC	1697	V <sub>PK</sub>
		Method a, After environmental tests subgroup 1, V <sub>PR</sub> = V <sub>IORM</sub> × 1.6, t = 10 s, Partial Discharge < 5 pC	2262	
		Method b1, V <sub>PR</sub> = V <sub>IORM</sub> × 1.875, t = 1 s (100% Production test) Partial discharge < 5 pC	2651	
V <sub>IOTM</sub>	Maximum transient overvoltage per DIN V VDE V 0884-10	V <sub>TEST</sub> = V <sub>IOTM</sub> t = 60 sec (qualification) t = 1 sec (100% production)	4242	V <sub>PK</sub>
V <sub>IOSM</sub>	Maximum surge isolation voltage per DIN V VDE V 0884-10	Test method per IEC 60065, 1.2/50 μs waveform, V <sub>TEST</sub> = 1.3 × V <sub>IOSM</sub> = 7800 V <sub>PK</sub> (qualification)	6000	V <sub>PK</sub>
V <sub>ISO</sub>	Withstand isolation voltage per UL 1577	V <sub>TEST</sub> = V <sub>ISO</sub> = 3000 V <sub>RMS</sub> , t = 60 sec (qualification) V <sub>TEST</sub> = 1.2 × V <sub>ISO</sub> = 3600 V <sub>RMS</sub> , t = 1 sec (100% production)	3000	V <sub>RMS</sub>
R <sub>S</sub>	Insulation resistance	V <sub>IO</sub> = 500 V at T <sub>S</sub>	>10 <sup>9</sup>	Ω
	Pollution degree		2	

(1) Climatic Classification 40/125/21

**Table 1. IEC 60664-1 Ratings Table**

PARAMETER	TEST CONDITIONS	SPECIFICATION
Basic isolation group	Material group	II
Installation classification	Rated mains voltage ≤ 300 V <sub>RMS</sub>	I–IV
	Rated mains voltage ≤ 600 V <sub>RMS</sub>	I–III
	Rated mains voltage ≤ 1000 V <sub>RMS</sub>	I–II

**8.3.1.3 Regulatory Information**

VDE	CSA	UL	CQC
Certified according to DIN V VDE V 0884-10 (VDE V 0884-10):2006-12 and DIN EN 61010-1 (VDE 0411-1):2011-07	Approved under CSA Component Acceptance Notice 5A, IEC 60950-1, and IEC 61010-1	Recognized under UL 1577 Component Recognition Program	Certified according to GB4943.1-2011
Basic Insulation Maximum Transient Overvoltage, 4242 V <sub>PK</sub> ; Maximum Surge Isolation Voltage, 6000 V <sub>PK</sub> ; Maximum Repetitive Peak Isolation Voltage', 1414 V <sub>PK</sub>	800 V <sub>RMS</sub> Basic Insulation and 400 V <sub>RMS</sub> Reinforced Insulation working voltage per CSA 60950-1-07+A1+A2 and IEC 60950-1 2nd Ed.+A1+A2; 300 V <sub>RMS</sub> Basic Insulation working voltage per CSA 61010-1-12 and IEC 61010-1 3rd Ed.	Single protection, 3000 V <sub>RMS</sub> <sup>(1)</sup>	Reinforced Insulation, Altitude ≤ 5000 m, Tropical Climate, 250 V <sub>RMS</sub> maximum working voltage
Certificate number: 40016131	Master contract number: 220991	File number: E181974	Certificate number: CQC15001121716

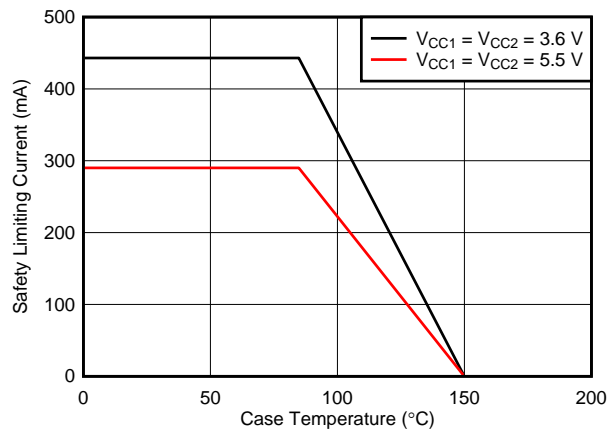
(1) Production tested ≥ 3600 V<sub>RMS</sub> for 1 second in accordance with UL 1577.

### 8.3.1.4 Safety Limiting Values

Safety limiting intends to prevent potential damage to the isolation barrier upon failure of input or output circuitry. A failure of the I/O can allow low resistance to ground or the supply and, without current limiting, dissipate sufficient power to overheat the die and damage the isolation barrier, potentially leading to secondary system failures.

PARAMETER	TEST CONDITIONS	MIN	TYP	MAX	UNIT	
$I_S$	Safety input, output, or supply current	$R_{\theta JA} = 78.3\text{ }^{\circ}\text{C/W}$ , $V_I = 5.5\text{ V}$ , $T_J = 150^{\circ}\text{C}$ , $T_A = 25^{\circ}\text{C}$			290	mA
		$R_{\theta JA} = 78.3\text{ }^{\circ}\text{C/W}$ , $V_I = 3.6\text{ V}$ , $T_J = 150^{\circ}\text{C}$ , $T_A = 25^{\circ}\text{C}$			443	
$T_S$	Maximum case temperature			150	$^{\circ}\text{C}$	

The safety-limiting constraint is the absolute-maximum junction temperature specified in the [Absolut Maximun Ratings](#) table. The power dissipation and junction-to-air thermal impedance of the device installed in the application hardware determines the junction temperature. The assumed junction-to-air thermal resistance in the [Thermal Information](#) table is that of a device installed on a High-K Test Board for Leaded Surface-Mount Packages. The power is the recommended maximum input voltage times the current. The junction temperature is then the ambient temperature plus the power times the junction-to-air thermal resistance.



**Figure 16.  $\theta_{JC}$  Thermal Derating Curve per DIN V VDE V 0884-10**

**ISO7330C, ISO7330FC, ISO7331C, ISO7331FC**

SLLSEK9B – JANUARY 2015 – REVISED APRIL 2015

www.ti.com

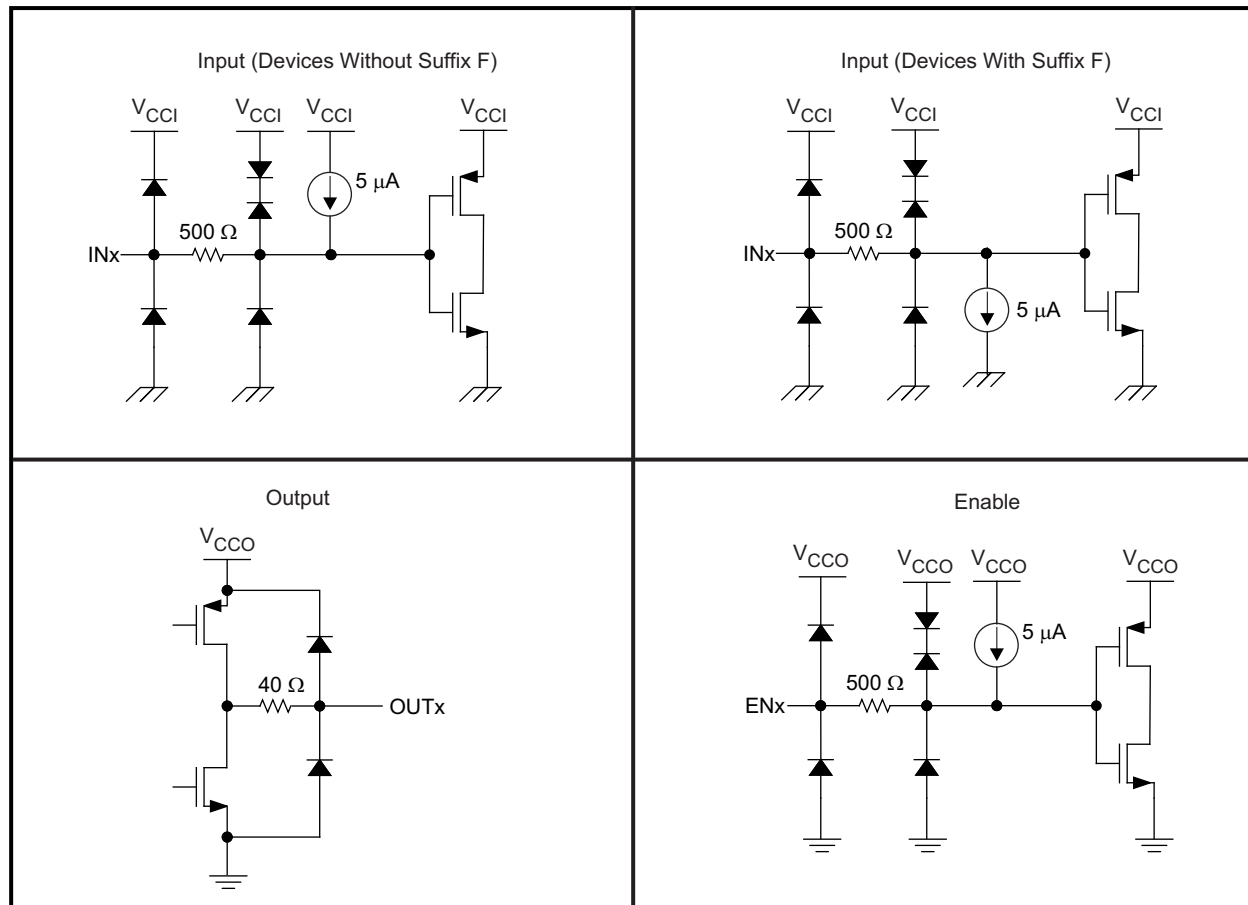
**8.4 Device Functional Modes**
**Table 2. Function Table<sup>(1)</sup>**

V <sub>CCI</sub>	V <sub>CCO</sub>	INPUT (IN <sub>x</sub> )	OUTPUT ENABLE (EN <sub>x</sub> )	OUTPUT (OUT <sub>x</sub> )	
				ISO733xC	ISO733xFC
PU	PU	H	H or Open	H	H
		L	H or Open	L	L
		X	L	Z	Z
		Open	H or Open	H <sup>(2)</sup>	L <sup>(3)</sup>
PD	PU	X	H or Open	H <sup>(2)</sup>	L <sup>(3)</sup>
X	PU	X	L	Z	Z
X	PD	X	X	Undetermined	Undetermined

(1) V<sub>CCI</sub> = Input-side V<sub>CC</sub>; V<sub>CCO</sub> = Output-side V<sub>CC</sub>; PU = Powered up (V<sub>CC</sub> ≥ 3 V); PD = Powered down (V<sub>CC</sub> ≤ 2.1 V); X = Irrelevant; H = High level; L = Low level; Open = Not connected

(2) In fail-safe condition, output defaults to high level

(3) In fail-safe condition, output defaults to low level

**8.4.1 Device I/O Schematics**

**Figure 17. Device I/O Schematics**

## 9 Applications and Implementation

### NOTE

Information in the following applications sections is not part of the TI component specification, and TI does not warrant its accuracy or completeness. TI's customers are responsible for determining suitability of components for their purposes. Customers should validate and test their design implementation to confirm system functionality.

### 9.1 Application Information

ISO733x utilize single-ended TTL-logic switching technology. Its supply voltage range is from 3 V to 5.5 V for both supplies,  $V_{CC1}$  and  $V_{CC2}$ . When designing with digital isolators, it is important to keep in mind that due to the single-ended design structure, digital isolators do not conform to any specific interface standard and are only intended for isolating single-ended CMOS or TTL digital signal lines. The isolator is typically placed between the data controller (that is,  $\mu$ C or UART), and a data converter or a line transceiver, regardless of the interface type or standard.

### 9.2 Typical Application

ISO7331C combined with Texas Instruments' mixed signal micro-controller, RS-485 transceiver, transformer driver, and voltage regulator can create an isolated RS-485 system as shown in Figure 18.

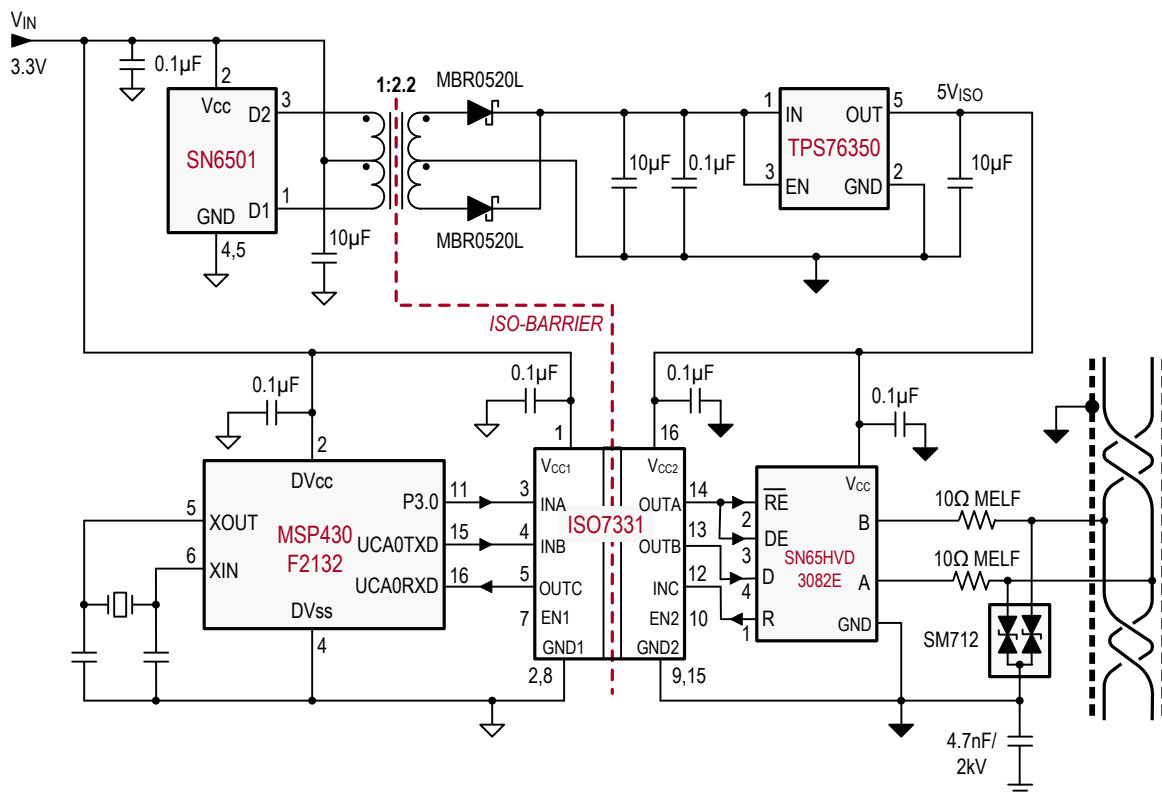


Figure 18. Typical ISO7331 Application Circuit

**ISO7330C, ISO7330FC, ISO7331C, ISO7331FC**

SLLSEK9B – JANUARY 2015 – REVISED APRIL 2015

www.ti.com

**Typical Application (continued)**
**9.2.1 Design Requirements**
**9.2.1.1 Typical Supply Current Equations**
**ISO7330:**
At  $V_{CC1} = V_{CC2} = 5\text{ V}$ 

- $I_{CC1} = 0.46544 + (0.006455 \times f)$
- $I_{CC2} = 2.28021 + (0.08242 \times f) + (0.006237 \times f \times C_L)$

At  $V_{CC1} = V_{CC2} = 3.3\text{ V}$ 

- $I_{CC1} = 0.29211 + (0.03588 \times f)$
- $I_{CC2} = 1.8414 + (0.02886 \times f) + (0.00548 \times f \times C_L)$

**ISO7331:**
At  $V_{CC1} = V_{CC2} = 5\text{ V}$ 

- $I_{CC1} = 1.661 + (0.07916 \times f) + (0.00169 \times f \times C_L)$
- $I_{CC2} = 2.04 + (0.0778 \times f) + (0.00422 \times f \times C_L)$

At  $V_{CC1} = V_{CC2} = 3.3\text{ V}$ 

- $I_{CC1} = 1.2402 + (0.03127 \times f) + (0.001954 \times f \times C_L)$
- $I_{CC2} = 1.53839 + (0.02933 \times f) + (0.0037285 \times f \times C_L)$

$I_{CC1}$  and  $I_{CC2}$  are typical supply currents measured in mA,  $f$  is data rate measured in Mbps,  $C_L$  is the capacitive load measured in pF.

**9.2.2 Detailed Design Procedure**
**9.2.2.1 Electromagnetic Compatibility (EMC) Considerations**

Many applications in harsh industrial environment are sensitive to disturbances such as electrostatic discharge (ESD), electrical fast transient (EFT), surge and electromagnetic emissions. These electromagnetic disturbances are regulated by international standards such as IEC 61000-4-x and CISPR 22. Although system-level performance and reliability depends, to a large extent, on the application board design and layout, the ISO733x incorporate many chip-level design improvements for overall system robustness. Some of these improvements include:

- Robust ESD protection cells for input and output signal pins and inter-chip bond pads.
- Low-resistance connectivity of ESD cells to supply and ground pins.
- Enhanced performance of high voltage isolation capacitor for better tolerance of ESD, EFT and surge events.
- Bigger on-chip decoupling capacitors to bypass undesirable high energy signals through a low impedance path.
- PMOS and NMOS devices isolated from each other by using guard rings to avoid triggering of parasitic SCRs.
- Reduced common mode currents across the isolation barrier by ensuring purely differential internal operation.

## Typical Application (continued)

### 9.2.3 Application Performance Curves

Typical eye diagrams of ISO733x below indicate low jitter and wide open eye at the maximum data rate of 25 Mbps.

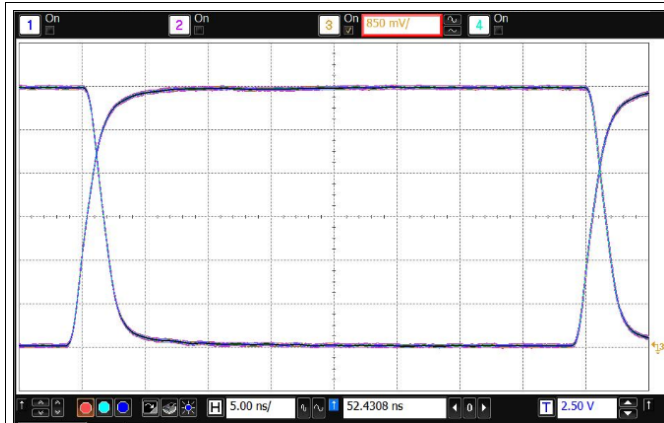


Figure 19. Eye Diagram at 25 Mbps, 5 V and 25°C

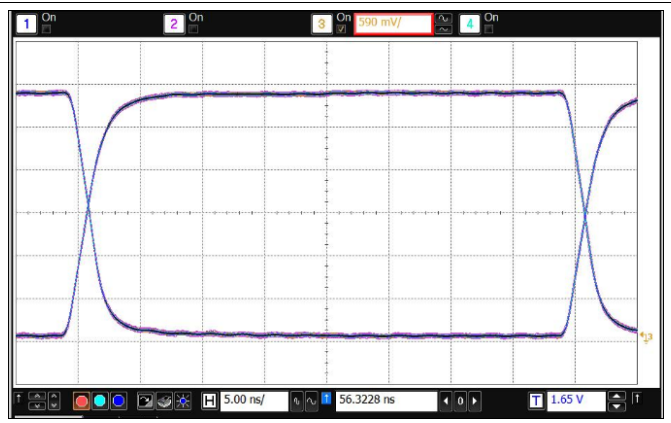


Figure 20. Eye Diagram at 25 Mbps, 3.3 V and 25°C

### 9.2.4 Systems Examples

Unlike Optocouplers, which need external components to improve performance, provide bias, or limit current, ISO733x only needs two external bypass capacitors to operate.

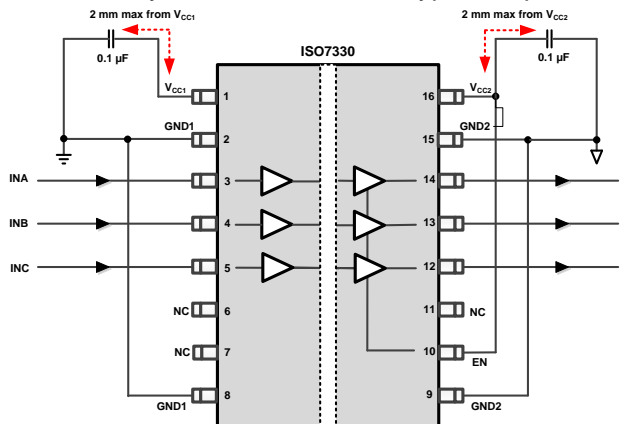


Figure 21. Typical ISO7330 Circuit Hook-up

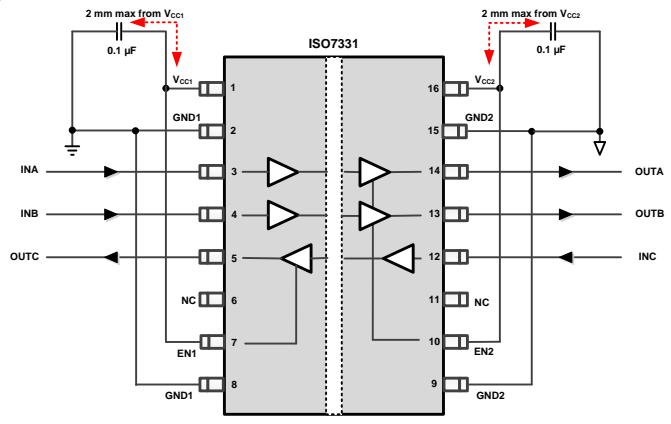


Figure 22. Typical ISO7331 Circuit Hook-up

## 10 Power Supply Recommendations

To ensure reliable operation at all data rates and supply voltages, a 0.1 µF bypass capacitor is recommended at input and output supply pins ( $V_{CC1}$  and  $V_{CC2}$ ). The capacitors should be placed as close to the supply pins as possible. If only a single primary-side power supply is available in an application, isolated power can be generated for the secondary-side with the help of a transformer driver such as Texas Instruments' [SN6501](#). For such applications, detailed power supply design and transformer selection recommendations are available in [SN6501](#) datasheet ([SLLSEA0](#)).

**ISO7330C, ISO7330FC, ISO7331C, ISO7331FC**

SLLSEK9B – JANUARY 2015 – REVISED APRIL 2015

www.ti.com

## 11 Layout

### 11.1 PCB Material

For digital circuit boards operating below 150 Mbps, (or rise and fall times higher than 1 ns), and trace lengths of up to 10 inches, use standard FR-4 epoxy-glass as PCB material. FR-4 (Flame Retardant 4) meets the requirements of Underwriters Laboratories UL94-V0, and is preferred over cheaper alternatives due to its lower dielectric losses at high frequencies, less moisture absorption, greater strength and stiffness, and its self-extinguishing flammability-characteristics.

### 11.2 Layout Guidelines

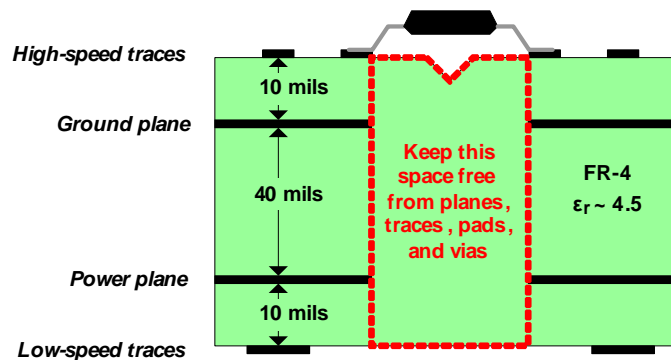
A minimum of four layers is required to accomplish a low EMI PCB design (see [Figure 23](#)). Layer stacking should be in the following order (top-to-bottom): high-speed signal layer, ground plane, power plane and low-frequency signal layer.

- Routing the high-speed traces on the top layer avoids the use of vias (and the introduction of their inductances) and allows for clean interconnects between the isolator and the transmitter and receiver circuits of the data link.
- Placing a solid ground plane next to the high-speed signal layer establishes controlled impedance for transmission line interconnects and provides an excellent low-inductance path for the return current flow.
- Placing the power plane next to the ground plane creates additional high-frequency bypass capacitance of approximately 100pF/in<sup>2</sup>.
- Routing the slower speed control signals on the bottom layer allows for greater flexibility as these signal links usually have margin to tolerate discontinuities such as vias.

If an additional supply voltage plane or signal layer is needed, add a second power / ground plane system to the stack to keep it symmetrical. This makes the stack mechanically stable and prevents it from warping. Also the power and ground plane of each power system can be placed closer together, thus increasing the high-frequency bypass capacitance significantly.

For detailed layout recommendations, see Application Note [SLLA284](#), *Digital Isolator Design Guide*.

### 11.3 Layout Example



**Figure 23. Recommended Layer Stack**

## 12 Device and Documentation Support

### 12.1 Related Links

The table below lists quick access links. Categories include technical documents, support and community resources, tools and software, and quick access to sample or buy.

**Table 3. Related Links**

PARTS	PRODUCT FOLDER	SAMPLE & BUY	TECHNICAL DOCUMENTS	TOOLS & SOFTWARE	SUPPORT & COMMUNITY
ISO7330C	<a href="#">Click here</a>	<a href="#">Click here</a>	<a href="#">Click here</a>	<a href="#">Click here</a>	<a href="#">Click here</a>
ISO7330FC	<a href="#">Click here</a>	<a href="#">Click here</a>	<a href="#">Click here</a>	<a href="#">Click here</a>	<a href="#">Click here</a>
ISO7331C	<a href="#">Click here</a>	<a href="#">Click here</a>	<a href="#">Click here</a>	<a href="#">Click here</a>	<a href="#">Click here</a>
ISO7331FC	<a href="#">Click here</a>	<a href="#">Click here</a>	<a href="#">Click here</a>	<a href="#">Click here</a>	<a href="#">Click here</a>

### 12.2 Trademarks

DeviceNet is a trademark of Texas Instruments.  
All other trademarks are the property of their respective owners.

### 12.3 Electrostatic Discharge Caution



These devices have limited built-in ESD protection. The leads should be shorted together or the device placed in conductive foam during storage or handling to prevent electrostatic damage to the MOS gates.

### 12.4 Glossary

[SLYZ022](#) — *TI Glossary*.

This glossary lists and explains terms, acronyms, and definitions.

[SLLA353](#), *Isolation Glossary*

## 13 Mechanical, Packaging, and Orderable Information

The following pages include mechanical packaging and orderable information. This information is the most current data available for the designated devices. This data is subject to change without notice and revision of this document. For browser-based versions of this data sheet, refer to the left-hand navigation.

**PACKAGING INFORMATION**

Orderable part number	Status (1)	Material type (2)	Package   Pins	Package qty   Carrier	RoHS (3)	Lead finish/ Ball material (4)	MSL rating/ Peak reflow (5)	Op temp (°C)	Part marking (6)
<a href="#">ISO7330CDW</a>	Active	Production	SOIC (DW)   16	40   TUBE	Yes	NIPDAU	Level-2-260C-1 YEAR	-40 to 125	ISO7330C
ISO7330CDW.A	Active	Production	SOIC (DW)   16	40   TUBE	Yes	NIPDAU	Level-2-260C-1 YEAR	-40 to 125	ISO7330C
<a href="#">ISO7330CDWR</a>	Active	Production	SOIC (DW)   16	2000   LARGE T&R	Yes	NIPDAU	Level-2-260C-1 YEAR	-40 to 125	ISO7330C
ISO7330CDWR.A	Active	Production	SOIC (DW)   16	2000   LARGE T&R	Yes	NIPDAU	Level-2-260C-1 YEAR	-40 to 125	ISO7330C
<a href="#">ISO7330FCDW</a>	Active	Production	SOIC (DW)   16	40   TUBE	Yes	NIPDAU	Level-2-260C-1 YEAR	-40 to 125	ISO7330FC
ISO7330FCDW.A	Active	Production	SOIC (DW)   16	40   TUBE	Yes	NIPDAU	Level-2-260C-1 YEAR	-40 to 125	ISO7330FC
<a href="#">ISO7330FCDWR</a>	Active	Production	SOIC (DW)   16	2000   LARGE T&R	Yes	NIPDAU	Level-2-260C-1 YEAR	-40 to 125	ISO7330FC
ISO7330FCDWR.A	Active	Production	SOIC (DW)   16	2000   LARGE T&R	Yes	NIPDAU	Level-2-260C-1 YEAR	-40 to 125	ISO7330FC
<a href="#">ISO7331CDW</a>	Active	Production	SOIC (DW)   16	40   TUBE	Yes	NIPDAU	Level-2-260C-1 YEAR	-40 to 125	ISO7331C
ISO7331CDW.A	Active	Production	SOIC (DW)   16	40   TUBE	Yes	NIPDAU	Level-2-260C-1 YEAR	-40 to 125	ISO7331C
<a href="#">ISO7331CDWR</a>	Active	Production	SOIC (DW)   16	2000   LARGE T&R	Yes	NIPDAU	Level-2-260C-1 YEAR	-40 to 125	ISO7331C
ISO7331CDWR.A	Active	Production	SOIC (DW)   16	2000   LARGE T&R	Yes	NIPDAU	Level-2-260C-1 YEAR	-40 to 125	ISO7331C
<a href="#">ISO7331FCDW</a>	Active	Production	SOIC (DW)   16	40   TUBE	Yes	NIPDAU	Level-2-260C-1 YEAR	-40 to 125	ISO7331FC
ISO7331FCDW.A	Active	Production	SOIC (DW)   16	40   TUBE	Yes	NIPDAU	Level-2-260C-1 YEAR	-40 to 125	ISO7331FC
<a href="#">ISO7331FCDWR</a>	Active	Production	SOIC (DW)   16	2000   LARGE T&R	Yes	NIPDAU	Level-2-260C-1 YEAR	-40 to 125	ISO7331FC
ISO7331FCDWR.A	Active	Production	SOIC (DW)   16	2000   LARGE T&R	Yes	NIPDAU	Level-2-260C-1 YEAR	-40 to 125	ISO7331FC

(1) **Status:** For more details on status, see our [product life cycle](#).

(2) **Material type:** When designated, preproduction parts are prototypes/experimental devices, and are not yet approved or released for full production. Testing and final process, including without limitation quality assurance, reliability performance testing, and/or process qualification, may not yet be complete, and this item is subject to further changes or possible discontinuation. If available for ordering, purchases will be subject to an additional waiver at checkout, and are intended for early internal evaluation purposes only. These items are sold without warranties of any kind.

(3) **RoHS values:** Yes, No, RoHS Exempt. See the [TI RoHS Statement](#) for additional information and value definition.

(4) **Lead finish/Ball material:** Parts may have multiple material finish options. Finish options are separated by a vertical ruled line. Lead finish/Ball material values may wrap to two lines if the finish value exceeds the maximum column width.

(5) **MSL rating/Peak reflow:** The moisture sensitivity level ratings and peak solder (reflow) temperatures. In the event that a part has multiple moisture sensitivity ratings, only the lowest level per JEDEC standards is shown. Refer to the shipping label for the actual reflow temperature that will be used to mount the part to the printed circuit board.

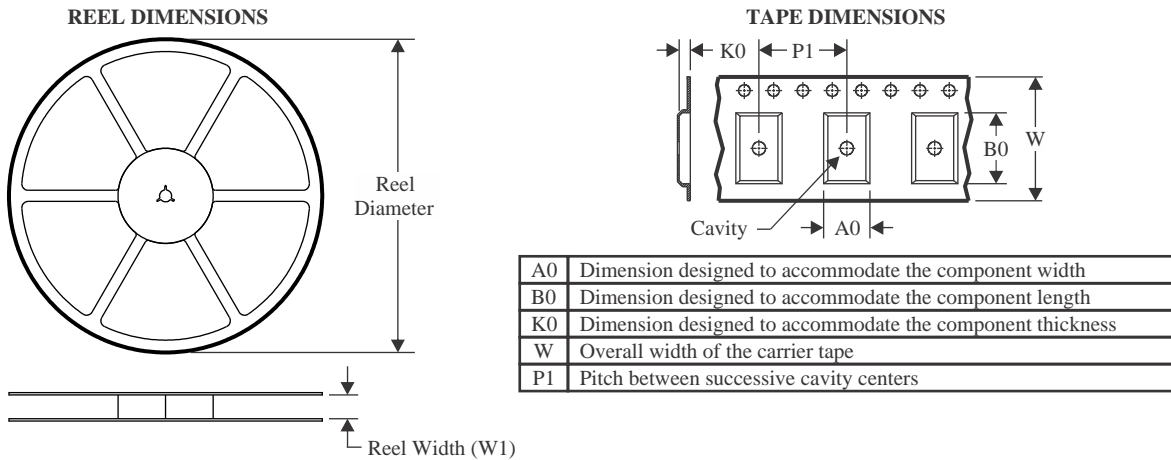
**(6) Part marking:** There may be an additional marking, which relates to the logo, the lot trace code information, or the environmental category of the part.

Multiple part markings will be inside parentheses. Only one part marking contained in parentheses and separated by a "-" will appear on a part. If a line is indented then it is a continuation of the previous line and the two combined represent the entire part marking for that device.

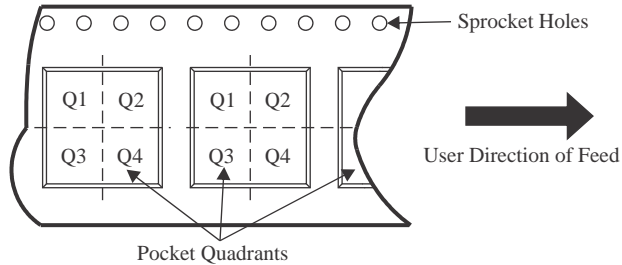
**Important Information and Disclaimer:** The information provided on this page represents TI's knowledge and belief as of the date that it is provided. TI bases its knowledge and belief on information provided by third parties, and makes no representation or warranty as to the accuracy of such information. Efforts are underway to better integrate information from third parties. TI has taken and continues to take reasonable steps to provide representative and accurate information but may not have conducted destructive testing or chemical analysis on incoming materials and chemicals. TI and TI suppliers consider certain information to be proprietary, and thus CAS numbers and other limited information may not be available for release.

In no event shall TI's liability arising out of such information exceed the total purchase price of the TI part(s) at issue in this document sold by TI to Customer on an annual basis.

## TAPE AND REEL INFORMATION



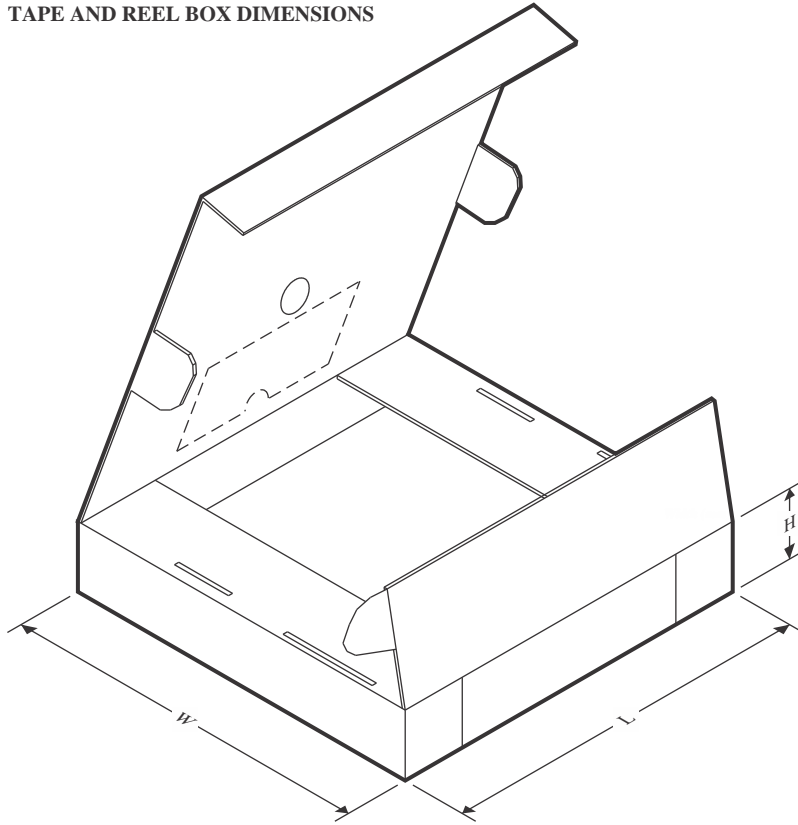
### QUADRANT ASSIGNMENTS FOR PIN 1 ORIENTATION IN TAPE



\*All dimensions are nominal

Device	Package Type	Package Drawing	Pins	SPQ	Reel Diameter (mm)	Reel Width W1 (mm)	A0 (mm)	B0 (mm)	K0 (mm)	P1 (mm)	W (mm)	Pin1 Quadrant
ISO7330CDWR	SOIC	DW	16	2000	330.0	16.4	10.75	10.7	2.7	12.0	16.0	Q1
ISO7330FCDWR	SOIC	DW	16	2000	330.0	16.4	10.75	10.7	2.7	12.0	16.0	Q1
ISO7331CDWR	SOIC	DW	16	2000	330.0	16.4	10.75	10.7	2.7	12.0	16.0	Q1
ISO7331FCDWR	SOIC	DW	16	2000	330.0	16.4	10.75	10.7	2.7	12.0	16.0	Q1

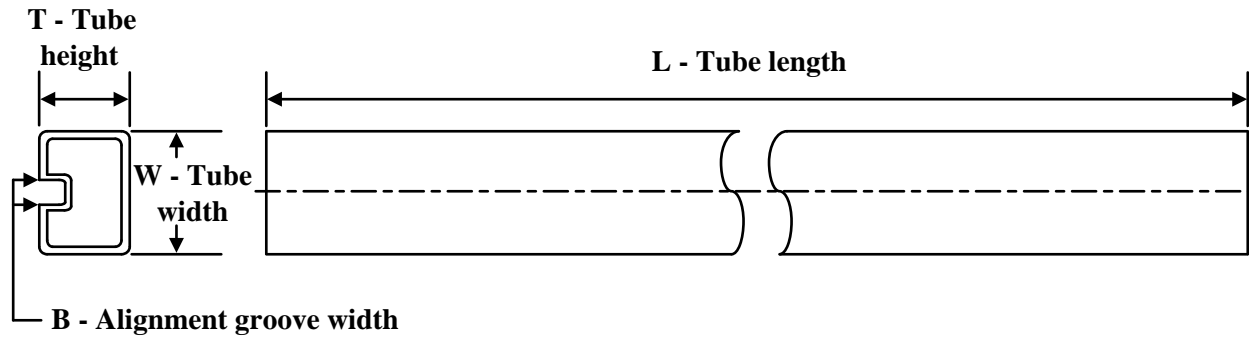
## TAPE AND REEL BOX DIMENSIONS



\*All dimensions are nominal

Device	Package Type	Package Drawing	Pins	SPQ	Length (mm)	Width (mm)	Height (mm)
ISO7330CDWR	SOIC	DW	16	2000	350.0	350.0	43.0
ISO7330FCDWR	SOIC	DW	16	2000	350.0	350.0	43.0
ISO7331CDWR	SOIC	DW	16	2000	350.0	350.0	43.0
ISO7331FCDWR	SOIC	DW	16	2000	350.0	350.0	43.0

## TUBE



\*All dimensions are nominal

Device	Package Name	Package Type	Pins	SPQ	L (mm)	W (mm)	T (μm)	B (mm)
ISO7330CDW	DW	SOIC	16	40	506.98	12.7	4826	6.6
ISO7330CDW.A	DW	SOIC	16	40	506.98	12.7	4826	6.6
ISO7330FCDW	DW	SOIC	16	40	506.98	12.7	4826	6.6
ISO7330FCDW.A	DW	SOIC	16	40	506.98	12.7	4826	6.6
ISO7331CDW	DW	SOIC	16	40	506.98	12.7	4826	6.6
ISO7331CDW.A	DW	SOIC	16	40	506.98	12.7	4826	6.6
ISO7331FCDW	DW	SOIC	16	40	506.98	12.7	4826	6.6
ISO7331FCDW.A	DW	SOIC	16	40	506.98	12.7	4826	6.6

## GENERIC PACKAGE VIEW

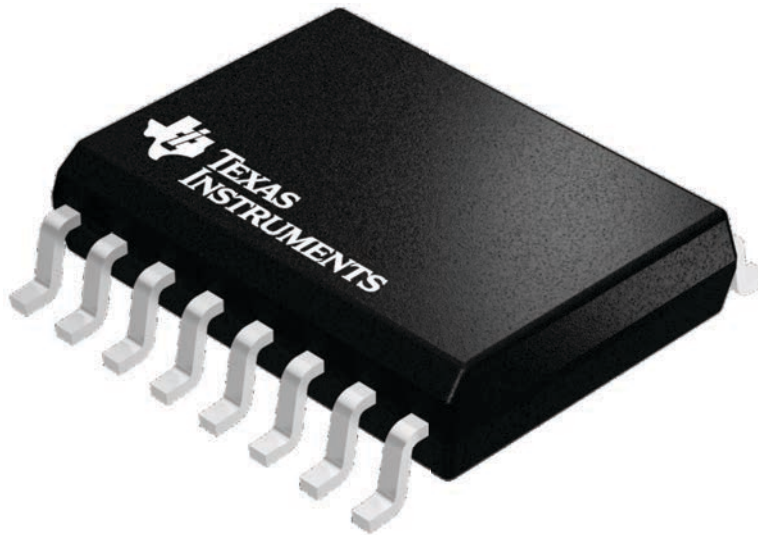
**DW 16**

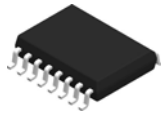
**SOIC - 2.65 mm max height**

7.5 x 10.3, 1.27 mm pitch

SMALL OUTLINE INTEGRATED CIRCUIT

This image is a representation of the package family, actual package may vary.  
Refer to the product data sheet for package details.



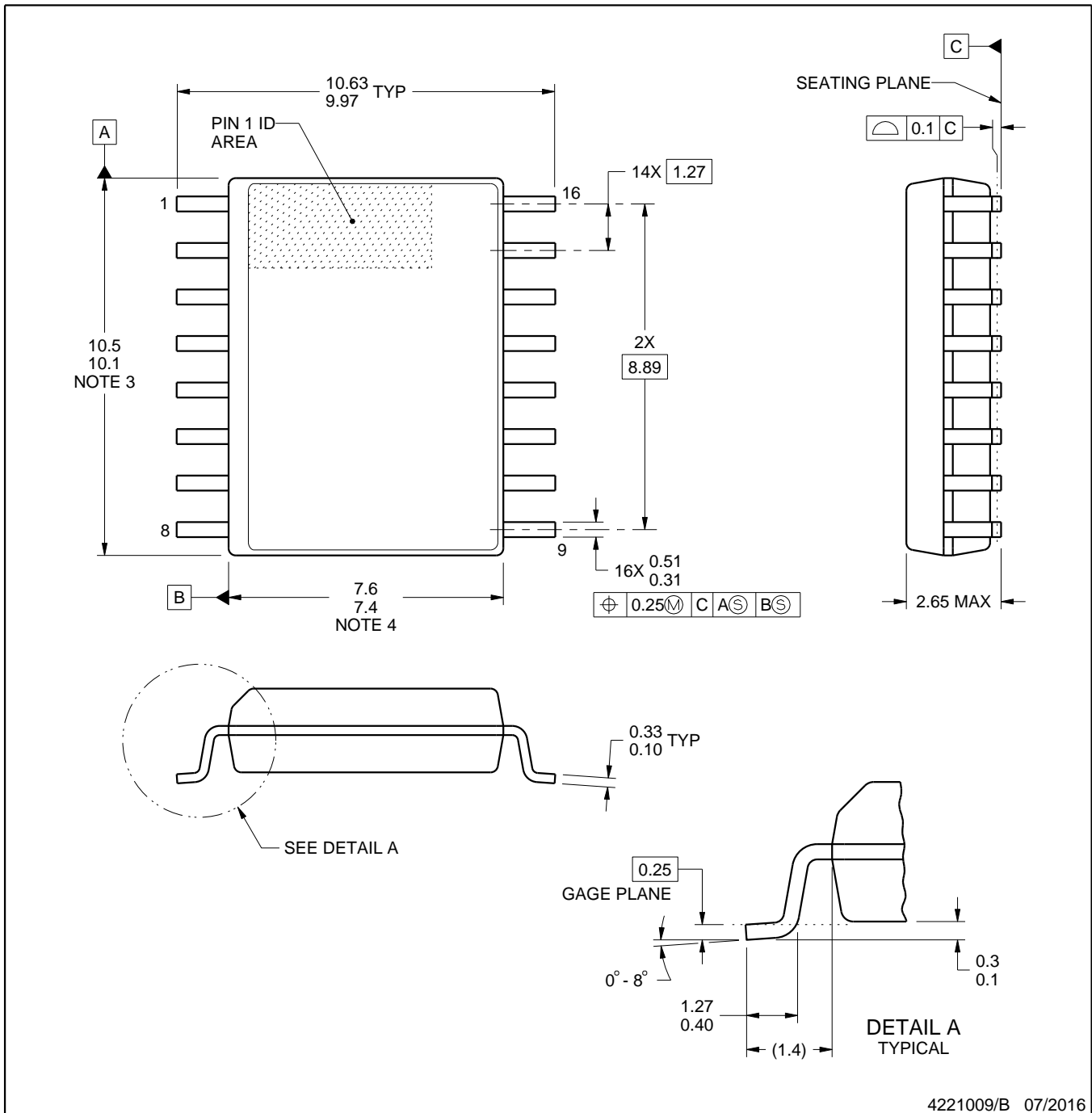


DW0016B

# PACKAGE OUTLINE

## SOIC - 2.65 mm max height

SOIC



## NOTES:

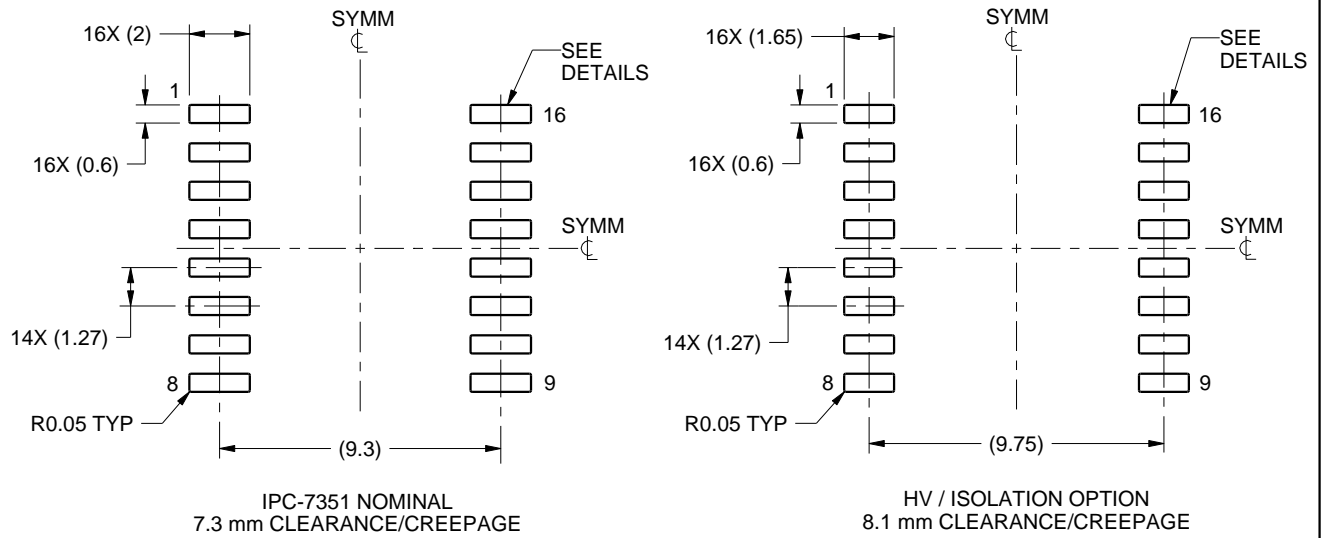
- All linear dimensions are in millimeters. Dimensions in parenthesis are for reference only. Dimensioning and tolerancing per ASME Y14.5M.
- This drawing is subject to change without notice.
- This dimension does not include mold flash, protrusions, or gate burrs. Mold flash, protrusions, or gate burrs shall not exceed 0.15 mm, per side.
- This dimension does not include interlead flash. Interlead flash shall not exceed 0.25 mm, per side.
- Reference JEDEC registration MS-013.

# EXAMPLE BOARD LAYOUT

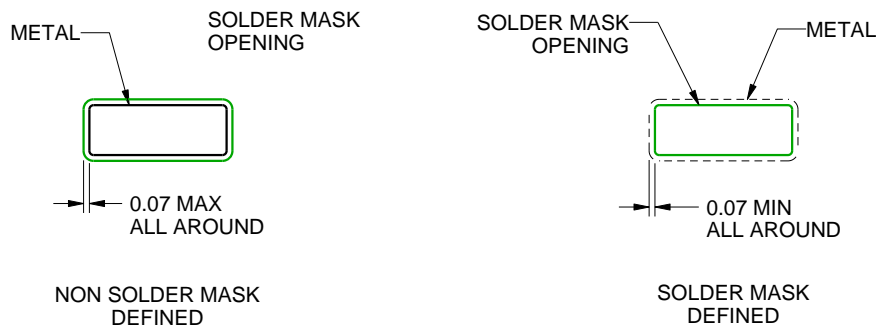
DW0016B

SOIC - 2.65 mm max height

SOIC



LAND PATTERN EXAMPLE  
SCALE:4X



SOLDER MASK DETAILS

4221009/B 07/2016

NOTES: (continued)

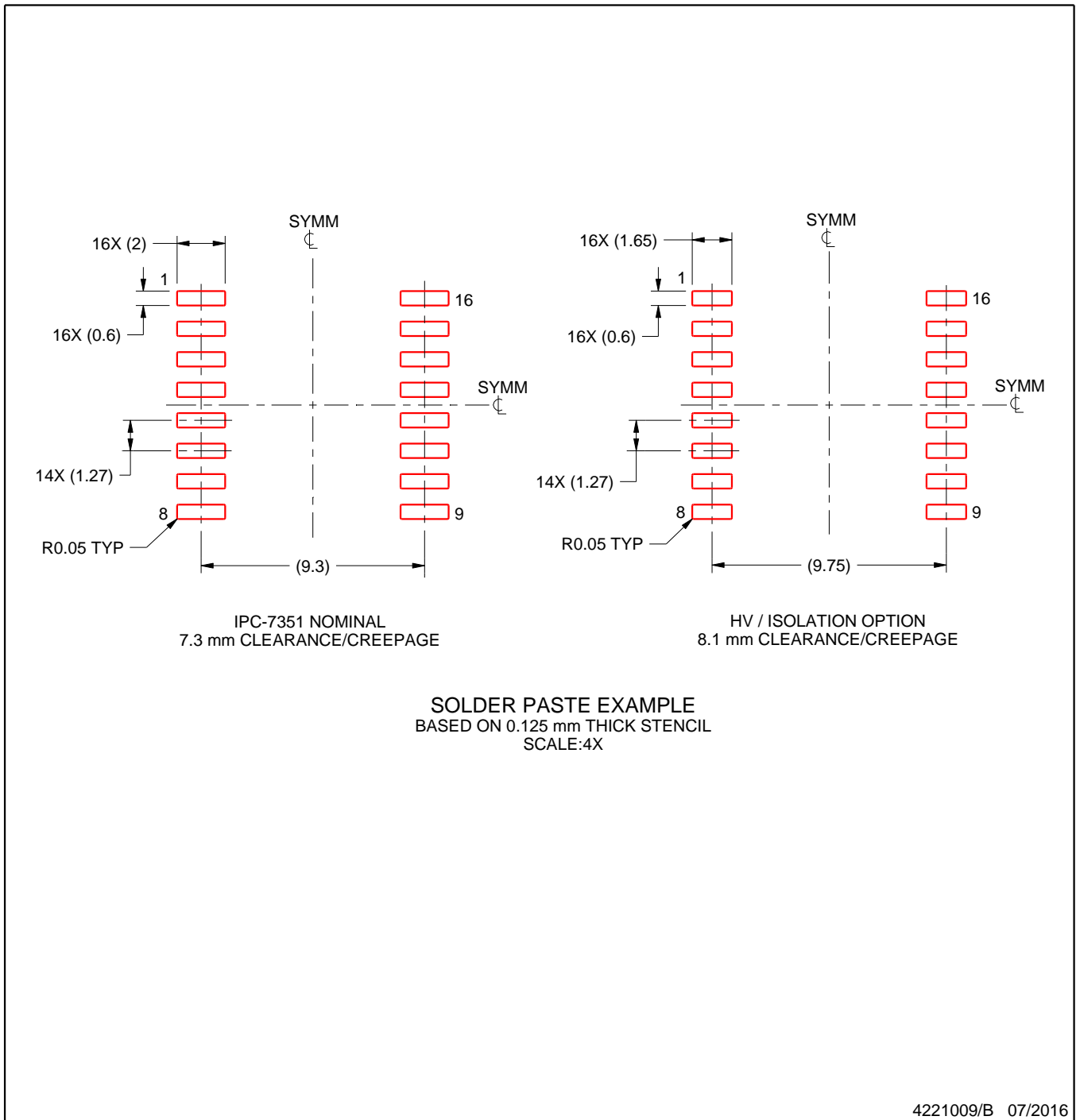
- 6. Publication IPC-7351 may have alternate designs.
- 7. Solder mask tolerances between and around signal pads can vary based on board fabrication site.

# EXAMPLE STENCIL DESIGN

DW0016B

SOIC - 2.65 mm max height

SOIC



NOTES: (continued)

- 8. Laser cutting apertures with trapezoidal walls and rounded corners may offer better paste release. IPC-7525 may have alternate design recommendations.
- 9. Board assembly site may have different recommendations for stencil design.

## IMPORTANT NOTICE AND DISCLAIMER

TI PROVIDES TECHNICAL AND RELIABILITY DATA (INCLUDING DATASHEETS), DESIGN RESOURCES (INCLUDING REFERENCE DESIGNS), APPLICATION OR OTHER DESIGN ADVICE, WEB TOOLS, SAFETY INFORMATION, AND OTHER RESOURCES "AS IS" AND WITH ALL FAULTS, AND DISCLAIMS ALL WARRANTIES, EXPRESS AND IMPLIED, INCLUDING WITHOUT LIMITATION ANY IMPLIED WARRANTIES OF MERCHANTABILITY, FITNESS FOR A PARTICULAR PURPOSE OR NON-INFRINGEMENT OF THIRD PARTY INTELLECTUAL PROPERTY RIGHTS.

These resources are intended for skilled developers designing with TI products. You are solely responsible for (1) selecting the appropriate TI products for your application, (2) designing, validating and testing your application, and (3) ensuring your application meets applicable standards, and any other safety, security, regulatory or other requirements.

These resources are subject to change without notice. TI grants you permission to use these resources only for development of an application that uses the TI products described in the resource. Other reproduction and display of these resources is prohibited. No license is granted to any other TI intellectual property right or to any third party intellectual property right. TI disclaims responsibility for, and you fully indemnify TI and its representatives against any claims, damages, costs, losses, and liabilities arising out of your use of these resources.

TI's products are provided subject to [TI's Terms of Sale](#), [TI's General Quality Guidelines](#), or other applicable terms available either on [ti.com](http://ti.com) or provided in conjunction with such TI products. TI's provision of these resources does not expand or otherwise alter TI's applicable warranties or warranty disclaimers for TI products. Unless TI explicitly designates a product as custom or customer-specified, TI products are standard, catalog, general purpose devices.

TI objects to and rejects any additional or different terms you may propose.

Copyright © 2026, Texas Instruments Incorporated

Last updated 10/2025

## OUR CERTIFICATE

DiGi provide top-quality products and perfect service for customer worldwide through standardization, technological innovation and continuous improvement. DiGi through third-party certification, we stricly control the quality of products and services. Welcome your RFQ to

Email: [Info@DiGi-Electronics.com](mailto:Info@DiGi-Electronics.com)



Tel: +00 852-30501935

RFQ Email: [Info@DiGi-Electronics.com](mailto:Info@DiGi-Electronics.com)

DiGi is a global authorized distributor of electronic components.