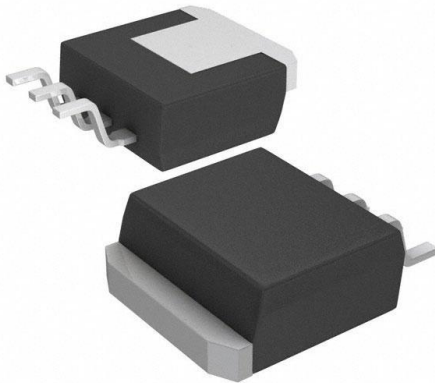


# LM1086CS-ADJ Datasheet

[www.digi-electronics.com](http://www.digi-electronics.com)



LM1086CS-ADJ

<https://www.DiGi-Electronics.com>

|                              |  |
|------------------------------|--|
| DiGi Electronics Part Number | LM1086CS-ADJ-DG  |
| Manufacturer                 | <a href="#">Texas Instruments</a>  |
| Manufacturer Product Number  | LM1086CS-ADJ   |
| Description                  | IC REG LIN POS ADJ 1.5A DDPAK  |
| Detailed Description         | Linear Voltage Regulator IC Positive Adjustable 1.0 Output 1.5A TO-263 (DDPAK-3) |



Tel: +00 852-30501935

RFQ Email: [Info@DiGi-Electronics.com](mailto:Info@DiGi-Electronics.com)

DiGi is a global authorized distributor of electronic components.

## Purchase and inquiry

Manufacturer Product Number:

LM1086CS-ADJ

Series:

-

Output Configuration:

Positive

Number of Regulators:

1

Voltage - Output (Min/Fixed):

1.2V

Voltage Dropout (Max):

1.5V @ 1.5A

Current - Quiescent (Iq):

5 mA

PSRR:

75dB (120Hz)

Protection Features:

Over Current, Over Temperature, Short Circuit

Mounting Type:

Surface Mount

Supplier Device Package:

TO-263 (DDPAK-3)

Manufacturer:

Texas Instruments

Product Status:

Last Time Buy

Output Type:

Adjustable

Voltage - Input (Max):

29V

Voltage - Output (Max):

15V

Current - Output:

1.5A

Current - Supply (Max):

10 mA

Control Features:

-

Operating Temperature:

0°C ~ 125°C (Tj)

Package / Case:

TO-263-4, D2PAK (3 Leads + Tab), TO-263AA

Base Product Number:

LM1086

## Environmental & Export classification

RoHS Status:

ROHS3 Compliant

REACH Status:

REACH Unaffected

HTSUS:

8542.39.0001

Moisture Sensitivity Level (MSL):

3 (168 Hours)

ECCN:

EAR99

# LM1086 1.5-A Low Dropout Positive Voltage Regulators

## 1 Features

- Available in Fixed 1.8-V, 2.5-V, 3.3-V, 5-V
- Available in Adjustable Version
- Current Limiting and Thermal Protection
- 2% Output Accuracy
- Output Current 1.5 A
- Line Regulation 0.015% (Typical)
- Load Regulation 0.1% (Typical)
- Maximum Input Voltage up to 29V
- Minimum Adjustable Output Voltage Down to 1.25V
- Stable with Ceramic Output Capacitor with ESR
- Temperature Range : -40°C to 125°C

## 2 Applications

- High-Efficiency Linear Regulators
- Battery Chargers
- Post Regulation for Switching Supplies
- Constant Current Regulators
- Microprocessor Supplies
- Audio Amplifiers Supplies
- Fire Alarm Control

## 3 Description

The LM1086 is a regulator with a maximum dropout of 1.5 V at 1.5 A of load current. The device has the same pin-out as TI's industry standard LM317.

Two resistors are required to set the output voltage of the adjustable output voltage version of the LM1086. Fixed output voltage versions integrate the adjust resistors. Typically, no input capacitor is needed unless the device is situated more than 6 inches from the input filter capacitors. Output capacitor can be replaced with ceramic and appropriate ESR.

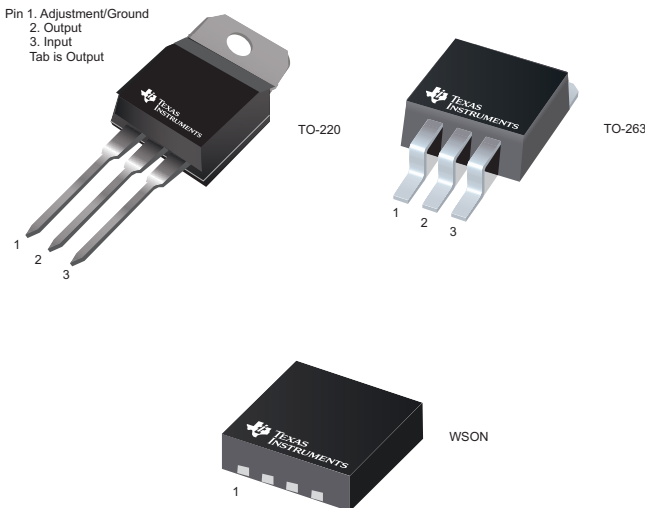
The LM1086 circuit includes a zener trimmed bandgap reference, current limiting, and thermal shutdown. Because the LM1086 regulator is floating and detects only the input-to-output differential voltage, supplies of several hundred volts can be regulated as long as the maximum input-to-output differential is not exceeded. Exceeding the maximum input-to-output differential will result in short-circuiting the output. By connecting a fixed resistor between the adjustment pin and output, the LM1086 can be also used as a precision current regulator.

For applications requiring greater output current, refer to LM1084 ([clickable link](#)) for the 5-A version, and the LM1085 ([clickable link](#)) for the 3-A version.

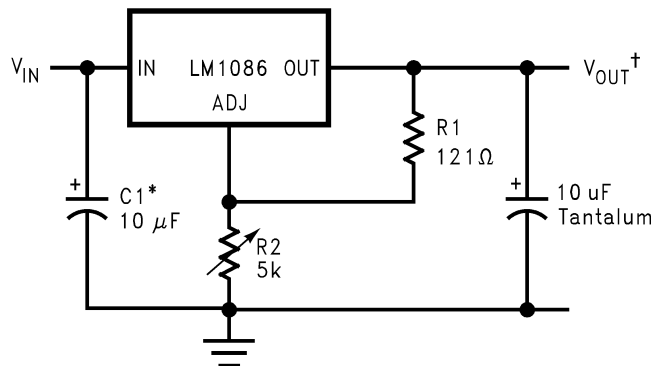
### Device Information<sup>(1)</sup>

| PART NUMBER | PACKAGE          | BODY SIZE (NOM)      |
|-------------|------------------|----------------------|
| LM1086      | WSON (8)         | 4 mm x 4 mm          |
|             | DDPAK/TO-263 (3) | 10.18 mm x 8.41 mm   |
|             | TO-220 (3)       | 14.986 mm x 10.16 mm |

(1) For all available packages, see the orderable addendum at the end of the datasheet.



### Typical Application



\*NEEDED IF DEVICE IS FAR FROM FILTER CAPACITORS

$$V_{OUT}^{\dagger} = 1.25V \left( 1 + \frac{R2}{R1} \right)$$



## Table of Contents

|  |    |  |    |
|--|----|--|----|
| <b>1 Features</b> .....                        | 1  | 7.4 Device Functional Modes.....                                 | 11 |
| <b>2 Applications</b> .....                    | 1  | <b>8 Application and Implementation</b> .....                    | 13 |
| <b>3 Description</b> .....                     | 1  | 8.1 Application Information.....                                 | 13 |
| <b>4 Revision History</b> .....                | 2  | 8.2 Typical Applications .....                                   | 13 |
| <b>5 Pin Configuration and Functions</b> ..... | 3  | <b>9 Power Supply Recommendations</b> .....                      | 18 |
| <b>6 Specifications</b> .....                  | 4  | <b>10 Layout</b> .....   | 18 |
| 6.1 Absolute Maximum Ratings .....             | 4  | 10.1 Layout Guidelines .....                                     | 18 |
| 6.2 ESD Ratings .....                          | 4  | 10.2 Layout Example .....  | 18 |
| 6.3 Recommended Operating Conditions.....      | 4  | 10.3 Thermal Considerations .....                                | 19 |
| 6.4 Thermal Information .....                  | 5  | <b>11 Device and Documentation Support</b> .....                 | 21 |
| 6.5 Electrical Characteristics.....            | 5  | 11.1 Development Support .....                                   | 21 |
| 6.6 Typical Characteristics .....              | 7  | 11.2 Trademarks .....  | 21 |
| <b>7 Detailed Description</b> .....            | 9  | 11.3 Electrostatic Discharge Caution.....                        | 21 |
| 7.1 Overview .....                             | 9  | 11.4 Glossary .....  | 21 |
| 7.2 Functional Block Diagram .....             | 9  | <b>12 Mechanical, Packaging, and Orderable Information</b> ..... | 21 |
| 7.3 Feature Description.....                   | 10 |  |    |

## 4 Revision History

### Changes from Revision I (August 2014) to Revision J

Page

- Added 8-pin WSON pinout drawing and associated device information..... 3

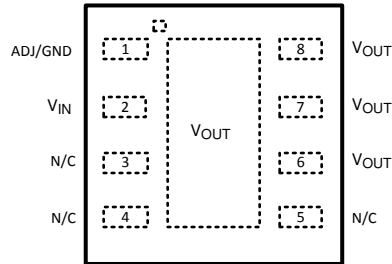
### Changes from Revision H (May 2013) to Revision I

Page

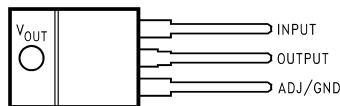
- Added *ESD Ratings* table, *Feature Description* section, *Device Functional Modes*, *Application and Implementation* section, *Power Supply Recommendations* section, *Layout* section, *Device and Documentation Support* section, and *Mechanical, Packaging, and Orderable Information* section ..... 4

## 5 Pin Configuration and Functions

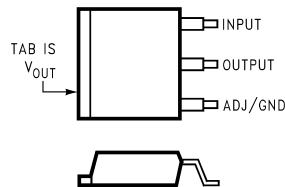
**8-Pin WSON  
Package NGN  
Top View**



**3-Pin TO-220  
Package NDE  
Top View**



**3-Pin DDPAK/TO-263  
Package KTT  
Top View**



### Pin Functions

| NAME      | PIN NUMBER |              | I/O | DESCRIPTION   |
|-----------|------------|--------------|-----|---|
|           | KTT/NDE    | NGN          |     |   |
| ADJ/GND   | 1          | 1            | —   | Adjust pin for the adjustable output voltage version. Ground pin for the fixed output voltage versions. |
| $V_{OUT}$ | 2, TAB     | 6, 7, 8, PAD | O   | Output voltage pin for the regulator.   |
| $V_{IN}$  | 3          | 2            | I   | Input voltage pin for the regulator.  |
| N/C       |            | 3, 4, 5      | —   | No Connection   |

**LM1086**

SNVS039J – JUNE 2000 – REVISED APRIL 2015

www.ti.com

**6 Specifications****6.1 Absolute Maximum Ratings**over operating free-air temperature range (unless otherwise noted) <sup>(1)(2)</sup>

|   |            | MIN                | MAX            | UNIT |
|---|------------|--------------------|----------------|------|
| Maximum Input to Output Voltage Differential          | LM1086-ADJ |                    | 29             | V    |
|   | LM1086-1.8 |                    | 27             | V    |
|   | LM1086-2.5 |                    | 27             | V    |
|   | LM1086-3.3 |                    | 27             | V    |
|   | LM1086-5.0 |                    | 25             | V    |
| Power Dissipation <sup>(3)</sup>                      |            | Internally Limited |                |      |
| Junction Temperature (T <sub>J</sub> ) <sup>(4)</sup> |            |                    | 150            | °C   |
| Lead Temperature                                      |            |                    | 260, to 10 sec | °C   |
| Storage temperature, T <sub>stg</sub>                 |            | -65                | 150            | °C   |

- (1) Stresses beyond those listed under Absolute Maximum Ratings may cause permanent damage to the device. These are stress ratings only, which do not imply functional operation of the device at these or any other conditions beyond those indicated under [Recommended Operating Conditions](#). Exposure to absolute-maximum-rated conditions for extended periods may affect device reliability.
- (2) If Military/Aerospace specified devices are required, please contact the Texas Instruments Sales Office/Distributors for availability and specifications.
- (3) Power dissipation is kept in a safe range by current limiting circuitry. Refer to [Overload Recovery](#) in [Application and Implementation](#). The value  $\theta_{JA}$  for the WSON package is specifically dependent on PCB trace area, trace material, and the number of thermal vias. For improved thermal resistance and power dissipation for the WSON package, refer to Application Note AN-1187 (literature number SNOA401).
- (4) The maximum power dissipation is a function of T<sub>J(MAX)</sub>,  $\theta_{JA}$ , and T<sub>A</sub>. The maximum allowable power dissipation at any ambient temperature is  $P_D = (T_{J(MAX)} - T_A) / \theta_{JA}$ . All numbers apply for packages soldered directly into a PC board. Refer to [Thermal Considerations](#).

**6.2 ESD Ratings**

|                    |                         | VALUE   | UNIT       |
|--------------------|-------------------------|---|------------|
| V <sub>(ESD)</sub> | Electrostatic discharge | Human-body model (HBM), per ANSI/ESDA/JEDEC JS-001 <sup>(1)</sup> | ±2000<br>V |

- (1) JEDEC document JEP155 states that 500-V HBM allows safe manufacturing with a standard ESD control process.

**6.3 Recommended Operating Conditions**

|   |                 | MIN | MAX | UNIT |
|---|-----------------|-----|-----|------|
| <b>JUNCTION TEMPERATURE RANGE (T<sub>J</sub>)<sup>(1)</sup></b> |                 |     |     |      |
| "C" Grade   | Control Section | 0   | 125 | °C   |
|   | Output Section  | 0   | 150 | °C   |
| "I" Grade   | Control Section | -40 | 125 | °C   |
|   | Output Section  | -40 | 150 | °C   |

- (1) The maximum power dissipation is a function of T<sub>J(MAX)</sub>,  $\theta_{JA}$ , and T<sub>A</sub>. The maximum allowable power dissipation at any ambient temperature is  $P_D = (T_{J(MAX)} - T_A) / \theta_{JA}$ . All numbers apply for packages soldered directly into a PC board. Refer to [Thermal Considerations](#).

## 6.4 Thermal Information

| THERMAL METRIC <sup>(1)</sup> |  | LM1086  |         |        | UNIT |
|-------------------------------|--|---------|---------|--------|------|
|                               |  | KTT     | NDE     | NGN    |      |
|                               |  | 3 PINS  | 3 PINS  | 8 PINS |      |
| R <sub>θJA</sub>              | Junction-to-ambient thermal resistance                                       | 40.8    | 23.0    | 35.9   | °C/W |
| R <sub>θJC(top)</sub>         | Junction-to-case (top) thermal resistance                                    | 42.3    | 16.1    | 24.2   |      |
| R <sub>θJB</sub>              | Junction-to-board thermal resistance   | 23.3    | 4.5     | 13.2   |      |
| ψ <sub>JT</sub>               | Junction-to-top characterization parameter                                   | 10.2    | 2.4     | 0.2    |      |
| ψ <sub>JB</sub>               | Junction-to-board characterization parameter                                 | 22.3    | 2.5     | 13.3   |      |
| R <sub>θJC(bot)</sub>         | Junction-to-case (bottom) thermal resistance: Control Section/Output Section | 1.5/4.0 | 1.5/4.0 | 2.9    |      |

(1) For more information about traditional and new thermal metrics, see the *IC Package Thermal Metrics* application report, [SPRA953](#).

## 6.5 Electrical Characteristics

Typicals and limits appearing in normal type apply for T<sub>J</sub> = 25°C unless specified otherwise.

| PARAMETER  | TEST CONDITIONS  | T <sub>J</sub> = 25°C |        |       | T <sub>J</sub> over the entire range for operation (see <i>Recommended Operating Conditions</i> ) |                    |                    | UNIT |
|--|--|-----------------------|--------|-------|---|--------------------|--------------------|------|
|  |  | MIN                   | TYP    | MAX   | MIN <sup>(1)</sup>  | TYP <sup>(2)</sup> | MAX <sup>(1)</sup> |      |
| V <sub>REF</sub> Reference Voltage               | LM1086-ADJ, I <sub>OUT</sub> = 10 mA, V <sub>IN</sub> - V <sub>OUT</sub> = 3 V, 10 mA ≤ I <sub>OUT</sub> ≤ I <sub>FULL LOAD</sub> , 1.5 V ≤ V <sub>IN</sub> - V <sub>OUT</sub> ≤ 15 V <sup>(3)</sup> | 1.238                 | 1.250  | 1.262 | 1.225   | 1.250              | 1.270              | V    |
| V <sub>OUT</sub> Output Voltage <sup>(3)</sup>   | LM1086-1.8, I <sub>OUT</sub> = 0 mA, V <sub>IN</sub> = 5 V, 0 ≤ I <sub>OUT</sub> ≤ I <sub>FULL LOAD</sub> , 3.3 V ≤ V <sub>IN</sub> ≤ 18 V   | 1.782                 | 1.8    | 1.818 | 1.764   | 1.8                | 1.836              | V    |
|  | LM1086-2.5, I <sub>OUT</sub> = 0 mA, V <sub>IN</sub> = 5 V, 0 ≤ I <sub>OUT</sub> ≤ I <sub>FULL LOAD</sub> , 4.0 V ≤ V <sub>IN</sub> ≤ 18 V   | 2.475                 | 2.50   | 2.525 | 2.450   | 2.50               | 2.55               | V    |
|  | LM1086-3.3, I <sub>OUT</sub> = 0 mA, V <sub>IN</sub> = 5 V, 0 ≤ I <sub>OUT</sub> ≤ I <sub>FULL LOAD</sub> , 4.75 V ≤ V <sub>IN</sub> ≤ 18 V  | 3.267                 | 3.300  | 3.333 | 3.235   | 3.300              | 3.365              | V    |
|  | LM1086-5.0, I <sub>OUT</sub> = 0 mA, V <sub>IN</sub> = 8 V, 0 ≤ I <sub>OUT</sub> ≤ I <sub>FULL LOAD</sub> , 6.5 V ≤ V <sub>IN</sub> ≤ 20 V   | 4.950                 | 5.000  | 5.050 | 4.900   | 5.000              | 5.100              | V    |
| ΔV <sub>OUT</sub> Line Regulation <sup>(4)</sup> | LM1086-ADJ, I <sub>OUT</sub> = 10 mA, 1.5 V ≤ (V <sub>IN</sub> - V <sub>OUT</sub> ) ≤ 15 V   |                       | 0.015% | 0.2%  |   | 0.035%             | 0.2%               |      |
|  | LM1086-1.8, I <sub>OUT</sub> = 0 mA, 3.3 V ≤ V <sub>IN</sub> ≤ 18 V  |                       | 0.3    | 6     |   | 0.6                | 6                  | mV   |
|  | LM1086-2.5, I <sub>OUT</sub> = 0 mA, 4.0 V ≤ V <sub>IN</sub> ≤ 18 V  |                       | 0.3    | 6     |   | 0.6                | 6                  | mV   |
|  | LM1086-3.3, I <sub>OUT</sub> = 0 mA, 4.5 V ≤ V <sub>IN</sub> ≤ 18 V  |                       | 0.5    | 10    |   | 1.0                | 10                 | mV   |
|  | LM1086-5.0, I <sub>OUT</sub> = 0 mA, 6.5 V ≤ V <sub>IN</sub> ≤ 20 V  |                       | 0.5    | 10    |   | 1.0                | 10                 | mV   |

(1) All limits are specified by testing or statistical analysis.

(2) Typical Values represent the most likely parametric norm.

(3) I<sub>FULL LOAD</sub> is defined in the current limit curves. The I<sub>FULL LOAD</sub> Curve defines current limit as a function of input-to-output voltage. Note that 15W power dissipation for the LM1086 is only achievable over a limited range of input-to-output voltage.

(4) Load and line regulation are measured at constant junction temperature, and are specified up to the maximum power dissipation of 15W. Power dissipation is determined by the input/output differential and the output current. Ensured maximum power dissipation will not be available over the full input/output range.

**LM1086**

SNVS039J – JUNE 2000 – REVISED APRIL 2015

www.ti.com

**Electrical Characteristics (continued)**Typicals and limits appearing in normal type apply for  $T_J = 25^\circ\text{C}$  unless specified otherwise.

| PARAMETER  | TEST CONDITIONS  | $T_J = 25^\circ\text{C}$ |        |      | $T_J$ over the entire range for operation (see <i>Recommended Operating Conditions</i> ) |                    |                    | UNIT          |
|--|--|--------------------------|--------|------|--|--------------------|--------------------|---------------|
|  |  | MIN                      | TYP    | MAX  | MIN <sup>(1)</sup>   | TYP <sup>(2)</sup> | MAX <sup>(1)</sup> |               |
| $\Delta V_{\text{OUT}}$ Load Regulation <sup>(4)</sup> | LM1086-ADJ, $(V_{\text{IN}} - V_{\text{OUT}}) = 3\text{ V}$ , $10\text{ mA} \leq I_{\text{OUT}} \leq I_{\text{FULL LOAD}}$           |                          | 0.1%   | 0.3% |  | 0.2%               | 0.4%               |               |
|  | LM1086-1.8, 2.5, $V_{\text{IN}} = 5\text{ V}$ , $0 \leq I_{\text{OUT}} \leq I_{\text{FULL LOAD}}$                                    |                          | 3      | 12   |  | 6                  | 20                 | mV            |
|  | LM1086-3.3, $V_{\text{IN}} = 5\text{ V}$ , $0 \leq I_{\text{OUT}} \leq I_{\text{FULL LOAD}}$   |                          | 3      | 15   |  | 7                  | 25                 | mV            |
|  | LM1086-5.0, $V_{\text{IN}} = 8\text{ V}$ , $0 \leq I_{\text{OUT}} \leq I_{\text{FULL LOAD}}$   |                          | 5      | 20   |  | 10                 | 35                 | mV            |
| Dropout Voltage <sup>(5)</sup>                         | LM1086-ADJ, 1.8, 2.5, 3.3, 5, $\Delta V_{\text{REF}}$ , $\Delta V_{\text{OUT}} = 1\%$ , $I_{\text{OUT}} = 1.5\text{ A}$              |                          |        |      |  | 1.3                | 1.5                | V             |
| $I_{\text{LIMIT}}$ Current Limit                       | LM1086-ADJ, $V_{\text{IN}} - V_{\text{OUT}} = 5\text{ V}$ , $V_{\text{IN}} - V_{\text{OUT}} = 25\text{ V}$                           |                          |        |      | 1.50   | 2.7                |                    | A             |
|  | LM1086-1.8, 2.5, 3.3, $V_{\text{IN}} = 8\text{ V}$   |                          |        |      | 0.05   | 0.15               |                    | A             |
|  | LM1086-5.0, $V_{\text{IN}} = 10\text{ V}$  |                          |        |      | 1.5  | 2.7                |                    | A             |
| Minimum Load Current <sup>(6)</sup>                    | LM1086-ADJ, $V_{\text{IN}} - V_{\text{OUT}} = 25\text{ V}$   |                          |        |      |  | 5.0                | 10.0               | mA            |
| Quiescent Current                                      | LM1086-1.8, 2.5, $V_{\text{IN}} \leq 18\text{ V}$  |                          |        |      |  | 5.0                | 10.0               | mA            |
|  | LM1086-3.3, $V_{\text{IN}} \leq 18\text{ V}$   |                          |        |      |  | 5.0                | 10.0               | mA            |
|  | LM1086-5.0, $V_{\text{IN}} \leq 20\text{ V}$   |                          |        |      |  | 5.0                | 10.0               | mA            |
| Thermal Regulation                                     | $T_A = 25^\circ\text{C}$ , 30ms Pulse  |                          | 0.008  | 0.04 |  |                    |                    | %/W           |
| Ripple Rejection                                       | $f_{\text{RIPPLE}} = 120\text{ Hz}$ , $C_{\text{OUT}} = 25\text{ }\mu\text{F}$ Tantalum, $I_{\text{OUT}} = 1.5\text{ A}$             |                          |        |      |  |                    |                    | dB            |
|  | LM1086-ADJ, $C_{\text{ADJ}} = 25\text{ }\mu\text{F}$ , $(V_{\text{IN}} - V_{\text{O}}) = 3\text{ V}$                                 |                          |        |      | 60   | 75                 |                    | dB            |
|  | LM1086-1.8, 2.5, $V_{\text{IN}} = 6\text{ V}$  |                          |        |      | 60   | 72                 |                    | dB            |
|  | LM1086-3.3, $V_{\text{IN}} = 6.3\text{ V}$   |                          |        |      | 60   | 72                 |                    | dB            |
|  | LM1086-5.0, $V_{\text{IN}} = 8\text{ V}$   |                          |        |      | 60   | 68                 |                    | dB            |
| Adjust Pin Current                                     | LM1086   |                          | 55     |      |  |                    | 120                | $\mu\text{A}$ |
| Adjust Pin Current Change                              | $10\text{ mA} \leq I_{\text{OUT}} \leq I_{\text{FULL LOAD}}$ , $1.5\text{ V} \leq (V_{\text{IN}} - V_{\text{OUT}}) \leq 15\text{ V}$ |                          |        |      |  | 0.2                | 5                  | $\mu\text{A}$ |
| Temperature Stability                                  |  |                          |        |      |  | 0.5%               |                    |               |
| Long Term Stability                                    | $T_A = 125^\circ\text{C}$ , 1000 Hrs   |                          | 0.3%   | 1.0% |  |                    |                    |               |
| RMS Noise (% of $V_{\text{OUT}}$ )                     | 10 Hz $\leq f \leq$ 10 kHz   |                          | 0.003% |      |  |                    |                    |               |

(5) Dropout voltage is specified over the full output current range of the device.

(6) The minimum output current required to maintain regulation.

## 6.6 Typical Characteristics

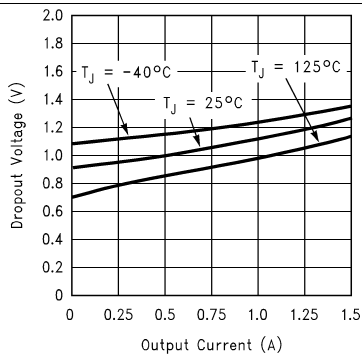


Figure 1. Dropout Voltage vs Output Current

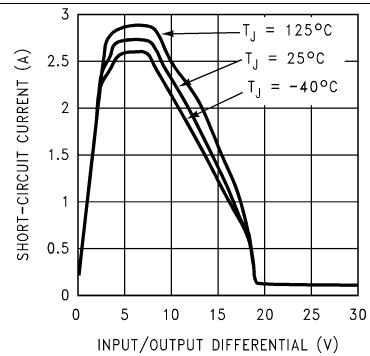


Figure 2. Short-Circuit Current vs Input/Output Difference

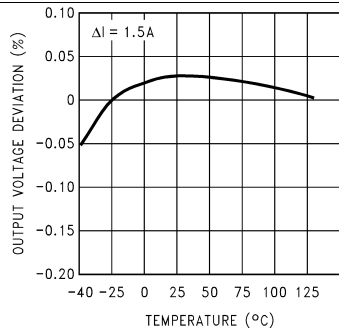


Figure 3. Load Regulation vs Temperature

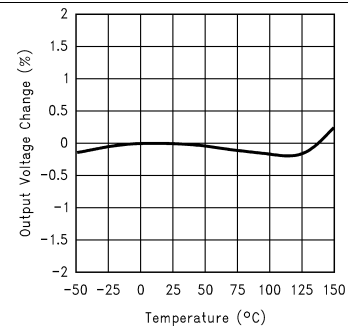


Figure 4. Percent Change in Output Voltage vs Temperature

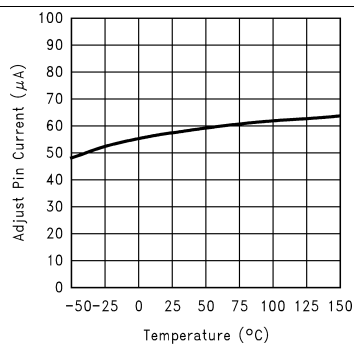


Figure 5. Adjust Pin Current vs Temperature

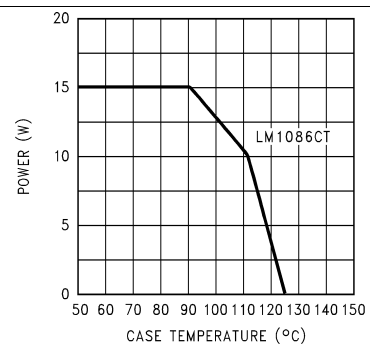


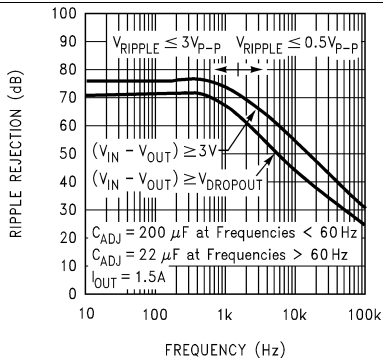
Figure 6. Maximum Power Dissipation vs Temperature

**LM1086**

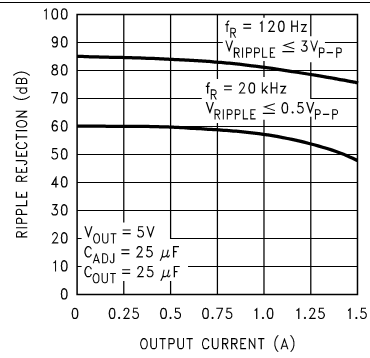
SNVS039J – JUNE 2000 – REVISED APRIL 2015

www.ti.com

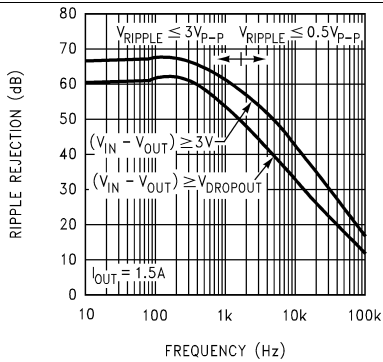
**Typical Characteristics (continued)**



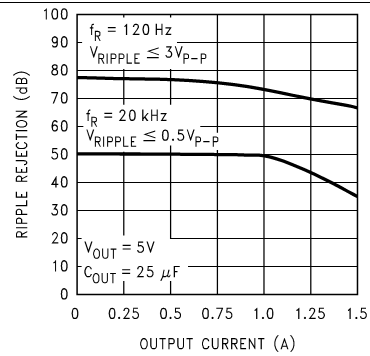
**Figure 7. Ripple Rejection vs Frequency (LM1086-ADJ)**



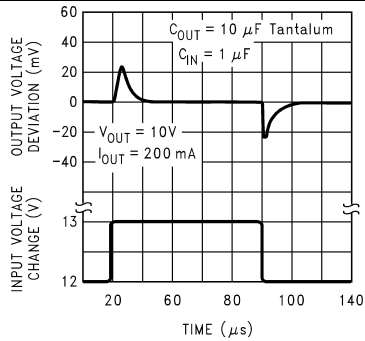
**Figure 8. Ripple Rejection vs Output Current (LM1086-ADJ)**



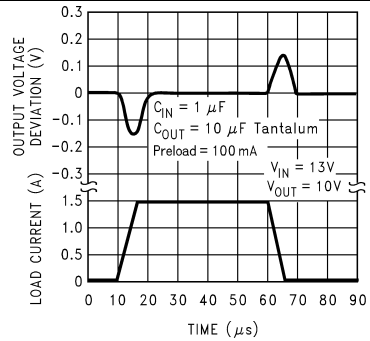
**Figure 9. Ripple Rejection vs Frequency (LM1086-5)**



**Figure 10. Ripple Rejection vs Output Current (LM1086-5)**



**Figure 11. Line Transient Response**

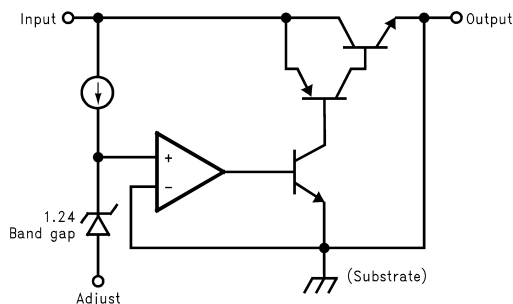


**Figure 12. Load Transient Response**

## 7 Detailed Description

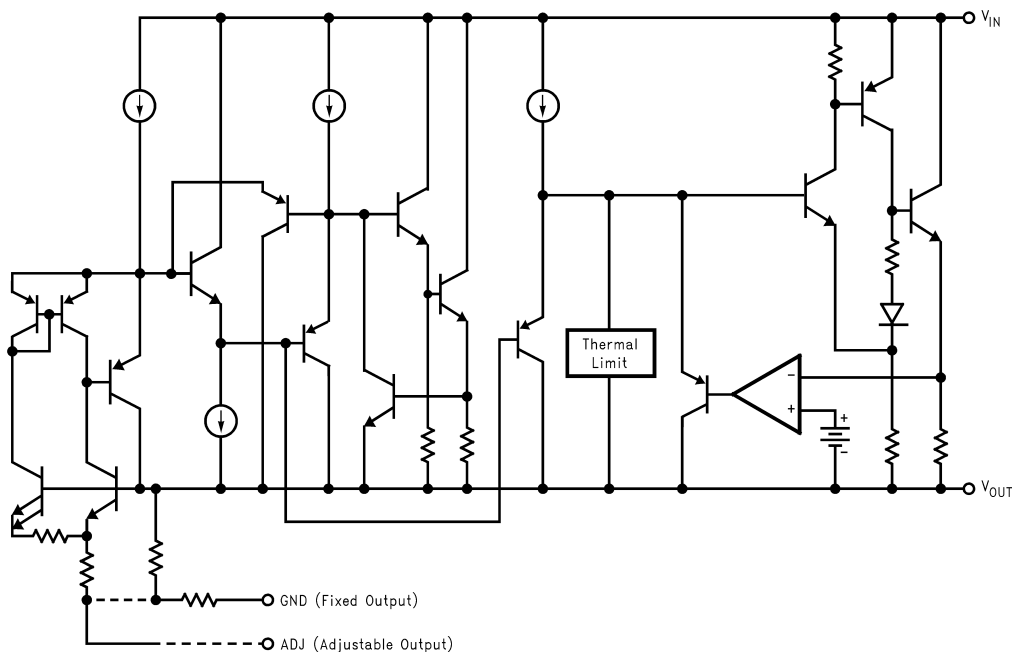
### 7.1 Overview

A basic functional diagram for the LM1086-ADJ (excluding protection circuitry) is shown in Figure 13. The topology is basically that of the LM317 except for the pass transistor. Instead of a Darlington NPN with its two diode voltage drop, the LM1086 uses a single NPN. This results in a lower dropout voltage. The structure of the pass transistor is also known as a quasi LDO. The advantage of a quasi LDO over a PNP LDO is its inherently lower quiescent current. The LM1086 is specified to provide a minimum dropout voltage of 1.5V over temperature, at full load.



**Figure 13. Basic Functional Block Diagram**

### 7.2 Functional Block Diagram



## LM1086

SNVS039J – JUNE 2000 – REVISED APRIL 2015

www.ti.com

### 7.3 Feature Description

#### 7.3.1 Ripple Rejection

Ripple rejection is a function of the open loop gain within the feed-back loop (refer to [Figure 13](#) and [Figure 16](#)). The LM1086 exhibits 75dB of ripple rejection (typ.). When adjusted for voltages higher than  $V_{REF}$ , the ripple rejection decreases as function of adjustment gain:  $(1+R1/R2)$  or  $V_O/V_{REF}$ . Therefore a 5-V adjustment decreases ripple rejection by a factor of four (–12dB); Output ripple increases as adjustment voltage increases.

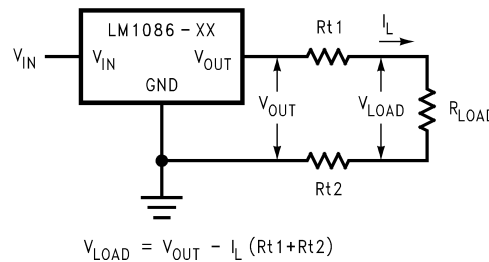
However, the adjustable version allows this degradation of ripple rejection to be compensated. The adjust terminal can be bypassed to ground with a capacitor ( $C_{ADJ}$ ). The impedance of the  $C_{ADJ}$  should be equal to or less than  $R1$  at the desired ripple frequency. This bypass capacitor prevents ripple from being amplified as the output voltage is increased.

$$1/(2\pi * f_{RIPPLE} * C_{ADJ}) \leq R_1 \quad (1)$$

#### 7.3.2 Load Regulation

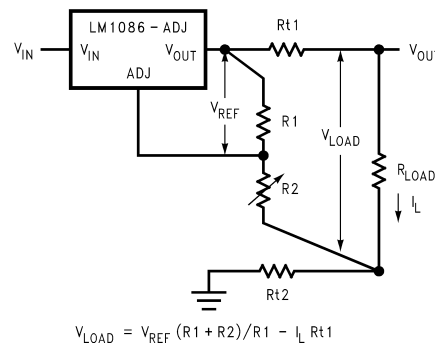
The LM1086 regulates the voltage that appears between its output and ground pins, or between its output and adjust pins. In some cases, line resistances can introduce errors to the voltage across the load. To obtain the best load regulation, a few precautions are needed.

[Figure 14](#) shows a typical application using a fixed output regulator.  $R_{t1}$  and  $R_{t2}$  are the line resistances.  $V_{LOAD}$  is less than the  $V_{OUT}$  by the sum of the voltage drops along the line resistances. In this case, the load regulation seen at the  $R_{LOAD}$  would be degraded from the data sheet specification. To improve this, the load should be tied directly to the output terminal on the positive side and directly tied to the ground terminal on the negative side.



**Figure 14. Typical Application Using Fixed Output Regulator**

When the adjustable regulator is used ([Figure 15](#)), the best performance is obtained with the positive side of the resistor  $R1$  tied directly to the output terminal of the regulator rather than near the load. This eliminates line drops from appearing effectively in series with the reference and degrading regulation. For example, a 5V regulator with 0.05- $\Omega$  resistance between the regulator and load will have a load regulation due to line resistance of  $0.05 \Omega \times I_L$ . If  $R1$  (=125  $\Omega$ ) is connected near the load the effective line resistance will be  $0.05 \Omega (1 + R2/R1)$  or in this case, it is 4 times worse. In addition, the ground side of the resistor  $R2$  can be returned near the ground of the load to provide remote ground sensing and improve load regulation.



**Figure 15. Best Load Regulation Using Adjustable Output Regulator**

## Feature Description (continued)

### 7.3.3 Overload Recovery

Overload recovery refers to regulator's ability to recover from a short circuited output. A key factor in the recovery process is the current limiting used to protect the output from drawing too much power. The current limiting circuit reduces the output current as the input to output differential increases. Refer to short circuit curve in the [Typical Characteristics](#) section.

During normal start-up, the input to output differential is small since the output follows the input. But, if the output is shorted, then the recovery involves a large input to output differential. Sometimes during this condition the current limiting circuit is slow in recovering. If the limited current is too low to develop a voltage at the output, the voltage will stabilize at a lower level. Under these conditions it may be necessary to recycle the power of the regulator in order to get the smaller differential voltage and thus adequate start up conditions. Refer to [Typical Characteristics](#) section for the short circuit current vs. input differential voltage.

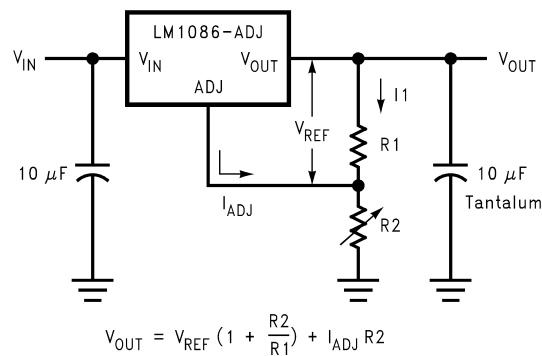
## 7.4 Device Functional Modes

### 7.4.1 Output Voltage

The LM1086 adjustable version develops a 1.25-V reference voltage, ( $V_{REF}$ ), between the output and the adjust terminal. As shown in [Figure 16](#), this voltage is applied across resistor R1 to generate a constant current I1. This constant current then flows through R2. The resulting voltage drop across R2 adds to the reference voltage to sets the desired output voltage.

The current  $I_{ADJ}$  from the adjustment terminal introduces an output error . But since it is small (120uA max), it becomes negligible when R1 is in the 100  $\Omega$  range.

For fixed voltage devices, R1 and R2 are integrated inside the devices.



**Figure 16. Basic Adjustable Regulator**

### 7.4.2 Stability Consideration

Stability consideration primarily concerns the phase response of the feedback loop. In order for stable operation, the loop must maintain negative feedback. The LM1086 requires a certain amount series resistance with capacitive loads. This series resistance introduces a zero within the loop to increase phase margin and thus increase stability. The equivalent series resistance (ESR) of solid tantalum or aluminum electrolytic capacitors is used to provide the appropriate zero (approximately 500 kHz).

Aluminum electrolytics are less expensive than tantalums, but their ESR varies exponentially at cold temperatures; therefore requiring close examination when choosing the desired transient response over temperature. Tantalums are a convenient choice because their ESR varies less than 2:1 over temperature.

The recommended load/decoupling capacitance is a 10 uF tantalum or a 50 uF aluminum. These values will assure stability for the majority of applications.

The adjustable versions allows an additional capacitor to be used at the ADJ pin to increase ripple rejection. If this is done the output capacitor should be increased to 22uF for tantalum or to 150 uF for aluminum.

Capacitors other than tantalum or aluminum can be used at the adjust pin and the input pin. A 10 uF capacitor is a reasonable value at the input. See [Ripple Rejection](#) section regarding the value for the adjust pin capacitor.

## LM1086

SNVS039J – JUNE 2000 – REVISED APRIL 2015

www.ti.com

### Device Functional Modes (continued)

It is desirable to have large output capacitance for applications that entail large changes in load current (microprocessors for example). The higher the capacitance, the larger the available charge per demand. It is also desirable to provide low ESR to reduce the change in output voltage:

$$\Delta V = \Delta I \times \text{ESR} \quad (2)$$

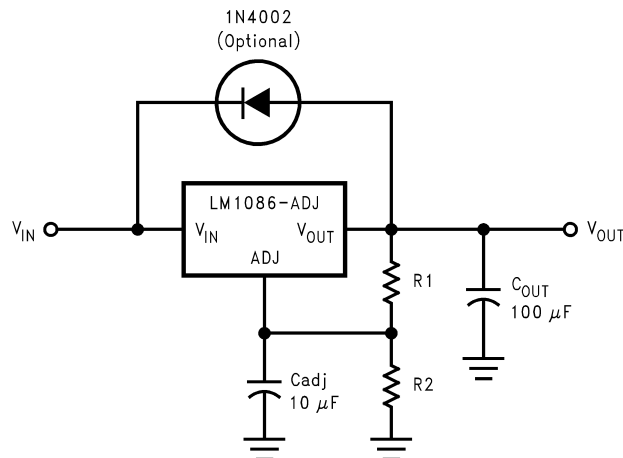
It is common practice to use several tantalum and ceramic capacitors in parallel to reduce this change in the output voltage by reducing the overall ESR.

Output capacitance can be increased indefinitely to improve transient response and stability.

#### 7.4.3 Protection Diodes

Under normal operation, the LM1086 regulator does not need any protection diode. With the adjustable device, the internal resistance between the adjustment and output terminals limits the current. No diode is needed to divert the current around the regulator even with a capacitor on the adjustment terminal. The adjust pin can take a transient signal of  $\pm 25$  V with respect to the output voltage without damaging the device.

When an output capacitor is connected to a regulator and the input is shorted, the output capacitor will discharge into the output of the regulator. The discharge current depends on the value of the capacitor, the output voltage of the regulator, and rate of decrease of  $V_{IN}$ . In the LM1086 regulator, the internal diode between the output and input pins can withstand microsecond surge currents of 10 A to 20 A. With an extremely large output capacitor ( $\geq 1000 \mu\text{f}$ ), and with input instantaneously shorted to ground, the regulator could be damaged. In this case, an external diode is recommended between the output and input pins to protect the regulator, shown in [Figure 17](#).



**Figure 17. Regulator with Protection Diode**

## 8 Application and Implementation

### NOTE

Information in the following applications sections is not part of the TI component specification, and TI does not warrant its accuracy or completeness. TI's customers are responsible for determining suitability of components for their purposes. Customers should validate and test their design implementation to confirm system functionality.

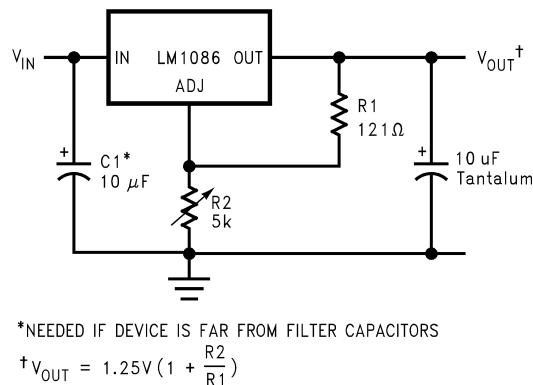
### 8.1 Application Information

The LM1086 is versatile in its applications, including uses in programmable output regulation and local on-card regulation. Or, by connecting a fixed resistor between the ADJUST and OUTPUT terminals, the LM1086 can function as a precision current regulator. An optional output capacitor can be added to improve transient response. The ADJUST terminal can be bypassed to achieve very high ripple-rejection ratios, which are difficult to achieve with standard three-terminal regulators. Please note, in the following applications, if ADJ is mentioned, it makes use of the adjustable version of the part, however, if GND is mentioned, it is the fixed voltage version of the part.

### 8.2 Typical Applications

#### 8.2.1 1.2-V to 15-V Adjustable Regulator

This part can be used as a simple low drop out regulator to enable a variety of output voltages needed for demanding applications. By using an adjustable R2 resistor a variety of output voltages can be made possible as shown in [Figure 18](#) based on the LM1086-ADJ.



**Figure 18. 1.2-V to 15-V Adjustable Regulator**

#### 8.2.1.1 Design Requirements

The device component count is very minimal, employing two resistors as part of a voltage divider circuit and an output capacitor for load regulation.

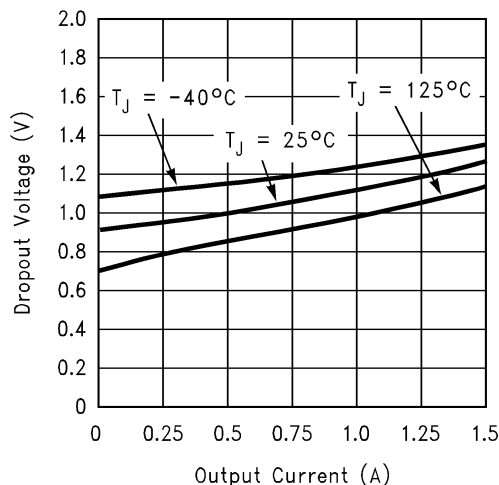
#### 8.2.1.2 Detailed Design Procedure

The voltage divider for this part is set based on the equation shown in [Figure 18](#), where R1 is the upper feedback resistor R2 is the lower feedback resistor.

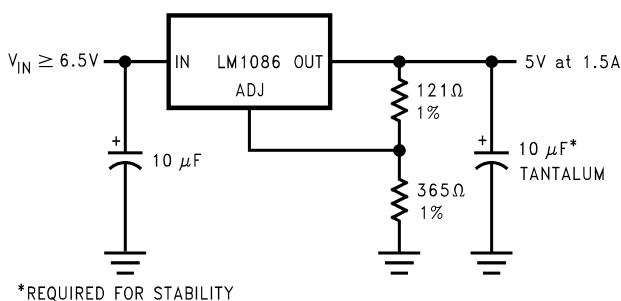
**LM1086**

SNVS039J – JUNE 2000 – REVISED APRIL 2015

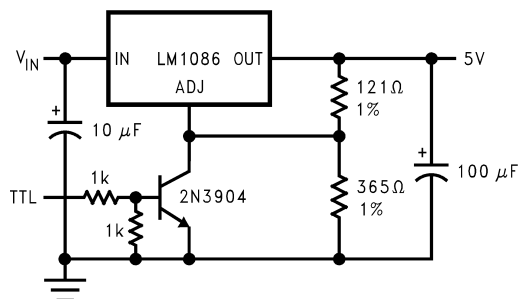
www.ti.com

**Typical Applications (continued)****8.2.1.3 Application Curve****8.2.2 Adjustable at 5 V**

The application shown in [Figure 19](#) outlines a simple 5-V output application made possible by the LM1086-ADJ. This application can provide 1.5 A at high efficiencies and very low drop-out.

**Figure 19. Adjustable at 5 V****8.2.3 5-V Regulator with Shutdown**

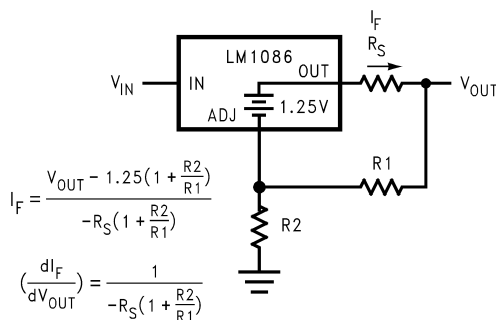
A variation of the 5-V output regulator application with shutdown control is shown in [Figure 20](#) based on the LM1086-ADJ. It uses a simple NPN transistor on the ADJ pin to block or sink the current on the ADJ pin. If the TTL logic is pulled high, the NPN transistor is activated and the part is disabled, outputting approximately 1.25 V. If the TTL logic is pulled low, the NPN transistor is unbiased and the regulator functions normally.

**Figure 20. 5-V Regulator with Shutdown**

## Typical Applications (continued)

### 8.2.4 Battery Charger

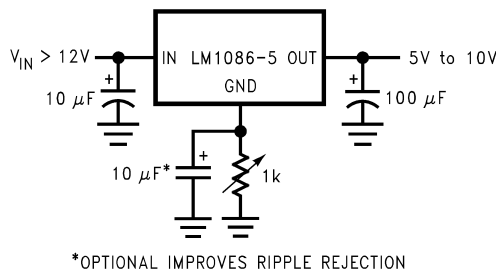
The LM1086-ADJ can be used as a battery charger to regulate the charging current required by the battery bank as shown in Figure 21. In this application the LM1086 acts as a constant voltage, constant current part by sensing the voltage potential across the battery and compensating it to the current voltage. To maintain this voltage, the regulator delivers the maximum charging current required to charge the battery. As the battery approaches the fully charged state, the potential drop across the sense resistor,  $R_S$  reduces and the regulator throttles back the current to maintain the float voltage of the battery.



**Figure 21. Battery Charger**

### 8.2.5 Adjustable Fixed Regulator

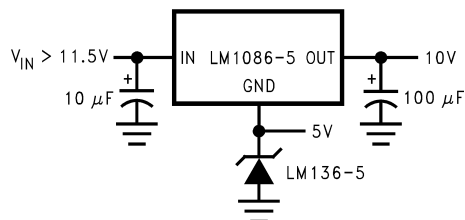
A simple adjustable, fixed range output regulator can be made possible by placing a variable resistor on the ground of the device as shown in Figure 22 based on the fixed output voltage LM1086-5.0. The GND pin has a small quiescent current of 5 mA typical. Increasing the resistance on the GND pin increases the voltage potential across the resistor. This potential is then mirrored on to the output to increase the total output voltage by the potential drop across the GND resistor.



**Figure 22. Adjustable Fixed Regulator**

### 8.2.6 Regulator With Reference

A fixed output voltage version of the LM1086-5.0 can be employed to provide an output rail and a reference rail at the same time as shown in Figure 23. This simple application makes use of a reference diode, the LM136-5, to regulate the GND voltage to a fixed 5 V based on the quiescent current generated by the GND pin. This voltage is then added onto the output to generate a total of 10 V out.



**Figure 23. Regulator With Reference**

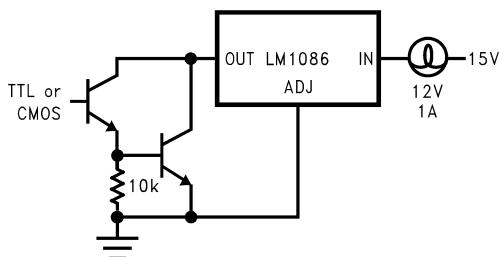
**LM1086**

SNVS039J – JUNE 2000 – REVISED APRIL 2015

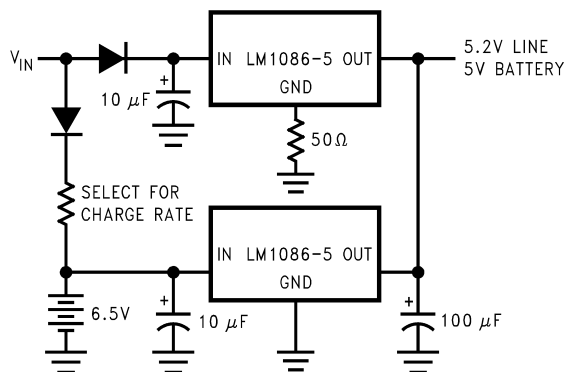
www.ti.com

**Typical Applications (continued)****8.2.7 High Current Lamp Driver Protection**

A simple constant current source with protection can be designed by controlling the impedance between the lamp and ground. The LM1086-ADJ shown in Figure 24 makes use of an external TTL or CMOS input to drive the NPN transistor. This pulls the output of the regulator to a few tenths of a volt and puts the part into current limit. Releasing the logic will reduce the current flow across the lamp into the normal operating current thereby protecting the lamp during startup.

**Figure 24. High Current Lamp Driver Protection****8.2.8 Battery Backup Regulated Supply**

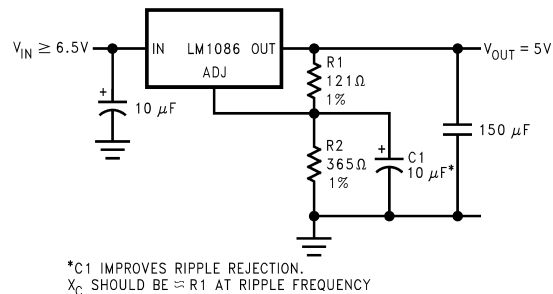
A regulated battery backup supply can be generated by using two fixed output voltage versions of the part as shown in Figure 25. The top regulator supplies the Line voltage during normal operation, however when the input is not available, the second regulator derives power from the battery backup and regulates it to 5 V based on the LM1086-5.0. The diodes prevent the rails from back feeding into the supply and batteries.

**Figure 25. Battery Backup Regulated Supply**

## Typical Applications (continued)

### 8.2.9 Ripple Rejection Enhancement

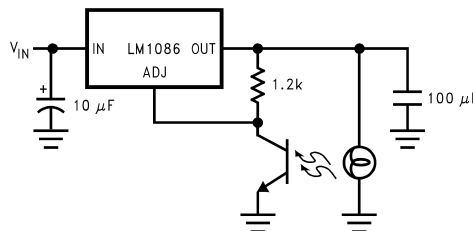
A very simple ripple rejection circuit is shown in [Figure 26](#) using the LM1086-ADJ. The capacitor C1 smooths out the ripple on the output by cleaning up the feedback path and preventing excess noise from feeding back into the regulator. Please remember  $X_{C1}$  should be approximately equal to R1 at the ripple frequency.



**Figure 26. Ripple Rejection Enhancement**

### 8.2.10 Automatic Light Control

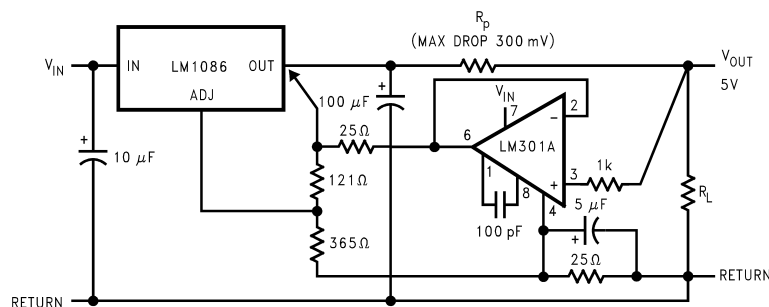
A common street light control or automatic light control circuit is designed in [Figure 27](#) based on the LM1086-ADJ. The photo transistor conducts in the presence of light and grounds the ADJ pin preventing the lamp from turning on. However, in the absence of light, the LM1086 regulates the voltage to 1.25 V between OUT and ADJ, ensuring the lamp remains on.



**Figure 27. Automatic Light Control**

### 8.2.11 Remote Sensing

Remote sensing is a method of compensating the output voltage to a very precise degree by sensing the output and feeding it back through the feedback. The circuit implementing this is shown in [Figure 28](#) using the LM1086-ADJ. The output of the regulator is fed into a voltage follower to avoid any loading effects and the output of the op-amp is injected into the top of the feedback resistor network. This has the effect of modulating the voltage to a precise degree without additional loading on the output.



**Figure 28. Remote Sensing**

## LM1086

SNVS039J – JUNE 2000 – REVISED APRIL 2015

www.ti.com

## 9 Power Supply Recommendations

The linear regulator input supply should be well regulated and kept at a voltage level such that the maximum input to output voltage differential allowed by the device is not exceeded. The minimum dropout voltage ( $V_{IN} - V_{OUT}$ ) should be met with extra headroom when possible in order to keep the output well regulated. A 10  $\mu\text{F}$  or higher capacitor should be placed at the input to bypass noise.

## 10 Layout

### 10.1 Layout Guidelines

For the best overall performance, some layout guidelines should be followed. Place all circuit components on the same side of the circuit board and as near as practical to the respective linear regulator pins connections. Traces should be kept short and wide to reduce the amount of parasitic elements into the system. The actual width and thickness of traces will depend on the current carrying capability and heat dissipation required by the end system. An array of plated vias can be placed on the pad area underneath the TAB to conduct heat to any inner plane areas or to a bottom-side copper plane.

### 10.2 Layout Example

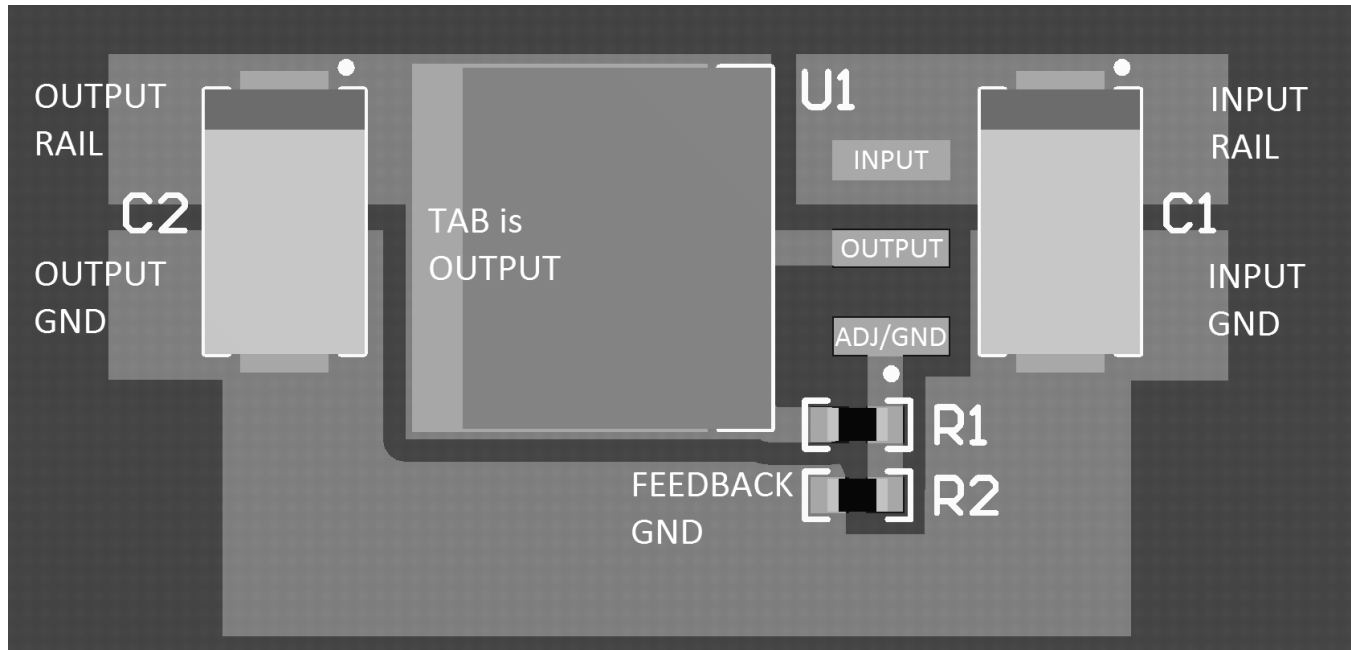


Figure 29. Layout Example

### 10.3 Thermal Considerations

ICs heats up when in operation, and power consumption is one factor in how hot it gets. The other factor is how well the heat is dissipated. Heat dissipation is predictable by knowing the thermal resistance between the IC and ambient ( $\theta_{JA}$ ). Thermal resistance has units of temperature per power (C/W). The higher the thermal resistance, the hotter the IC.

The LM1086 specifies the thermal resistance for each package as junction to case ( $\theta_{JC}$ ). In order to get the total resistance to ambient ( $\theta_{JA}$ ), two other thermal resistance must be added, one for case to heat-sink ( $\theta_{CH}$ ) and one for heatsink to ambient ( $\theta_{HA}$ ). The junction temperature can be predicted as follows:

$$T_J = T_A + P_D (\theta_{JC} + \theta_{CH} + \theta_{HA}) = T_A + P_D \theta_{JA}$$

where

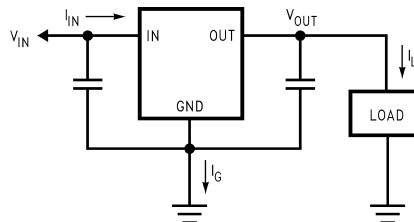
- $T_J$  is junction temperature
  - $T_A$  is ambient temperature
  - $P_D$  is the power consumption of the device
- (3)

Device power consumption is calculated as follows:

$$I_{IN} = I_L + I_G \quad (4)$$

$$P_D = (V_{IN} - V_{OUT}) I_L + V_{IN} I_G \quad (5)$$

Figure 30 shows the voltages and currents which are present in the circuit.



**Figure 30. Power Dissipation Diagram**

Once the devices power is determined, the maximum allowable ( $\theta_{JA(max)}$ ) is calculated as:

$$\theta_{JA(max)} = T_{R(max)}/P_D = T_{J(max)} - T_{A(max)}/P_D$$

The LM1086 has different temperature specifications for two different sections of the IC: the control section and the output section. The [Thermal Information](#) table shows the junction to case thermal resistances for each of these sections, while the maximum junction temperatures ( $T_{J(max)}$ ) for each section is listed in the [Absolute Maximum Ratings](#) section of the datasheet.  $T_{J(max)}$  is 125°C for the control section, while  $T_{J(max)}$  is 150°C for the output section.

$\theta_{JA(max)}$  should be calculated separately for each section as follows:

$$\theta_{JA(max, CONTROL SECTION)} = (125^\circ\text{C} - T_{A(max)})/P_D \quad (6)$$

$$\theta_{JA(max, OUTPUT SECTION)} = (150^\circ\text{C} - T_{A(max)})/P_D \quad (7)$$

The required heat sink is determined by calculating its required thermal resistance ( $\theta_{HA(max)}$ ).

$$\theta_{HA(max)} = \theta_{JA(max)} - (\theta_{JC} + \theta_{CH}) \quad (8)$$

( $\theta_{HA(max)}$ ) should also be calculated twice as follows:

$$(\theta_{HA(max)}) = \theta_{JA(max, CONTROL SECTION)} - (\theta_{JC} (CONTROL SECTION) + \theta_{CH}) \quad (9)$$

$$(\theta_{HA(max)}) = \theta_{JA(max, OUTPUT SECTION)} - (\theta_{JC} (OUTPUT SECTION) + \theta_{CH}) \quad (10)$$

If thermal compound is used,  $\theta_{CH}$  can be estimated at 0.2 C/W. If the case is soldered to the heat sink, then a  $\theta_{CH}$  can be estimated as 0 C/W.

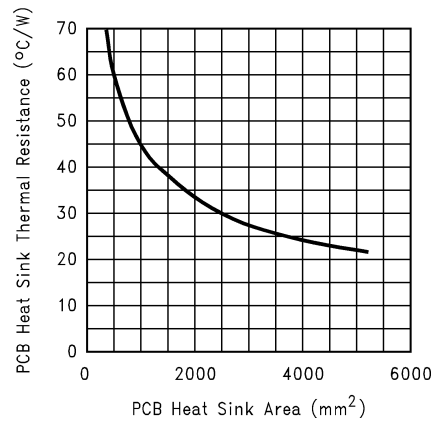
After,  $\theta_{HA(max)}$  is calculated for each section, choose the lower of the two  $\theta_{HA(max)}$  values to determine the appropriate heat sink.

**LM1086**

SNVS039J – JUNE 2000 – REVISED APRIL 2015

[www.ti.com](http://www.ti.com)**Thermal Considerations (continued)**

If PC board copper is going to be used as a heat sink, then [Figure 31](#) can be used to determine the appropriate area (size) of copper foil required.

**Figure 31. Heat Sink Thermal Resistance vs Area**

## 11 Device and Documentation Support

### 11.1 Development Support

For additional information, see Texas Instruments' E2E community resources at <http://e2e.ti.com>.

### 11.2 Trademarks

All trademarks are the property of their respective owners.

### 11.3 Electrostatic Discharge Caution



These devices have limited built-in ESD protection. The leads should be shorted together or the device placed in conductive foam during storage or handling to prevent electrostatic damage to the MOS gates.

### 11.4 Glossary

[SLYZ022](#) — *TI Glossary*.

This glossary lists and explains terms, acronyms, and definitions.

## 12 Mechanical, Packaging, and Orderable Information

The following pages include mechanical, packaging, and orderable information. This information is the most current data available for the designated devices. This data is subject to change without notice and revision of this document. For browser-based versions of this data sheet, refer to the left-hand navigation.

**PACKAGING INFORMATION**

| Orderable part number              | Status<br>(1) | Material type<br>(2) | Package   Pins             | Package qty   Carrier | RoHS<br>(3) | Lead finish/<br>Ball material<br>(4) | MSL rating/<br>Peak reflow<br>(5) | Op temp (°C) | Part marking<br>(6) |
|------------------------------------|---------------|----------------------|----------------------------|-----------------------|-------------|--------------------------------------|-----------------------------------|--------------|---------------------|
| <a href="#">LM1086CS-2.5/NOPB</a>  | Active        | Production           | DDPAK/<br>TO-263 (KTT)   3 | 45   TUBE             | ROHS Exempt | SN                                   | Level-3-245C-168 HR               | 0 to 125     | LM1086<br>CS-2.5    |
| LM1086CS-2.5/NOPB.B                | Active        | Production           | DDPAK/<br>TO-263 (KTT)   3 | 45   TUBE             | ROHS Exempt | SN                                   | Level-3-245C-168 HR               | 0 to 125     | LM1086<br>CS-2.5    |
| <a href="#">LM1086CS-3.3/NOPB</a>  | Active        | Production           | DDPAK/<br>TO-263 (KTT)   3 | 45   TUBE             | ROHS Exempt | SN                                   | Level-3-245C-168 HR               | 0 to 125     | LM1086<br>CS-3.3    |
| LM1086CS-3.3/NOPB.B                | Active        | Production           | DDPAK/<br>TO-263 (KTT)   3 | 45   TUBE             | ROHS Exempt | SN                                   | Level-3-245C-168 HR               | 0 to 125     | LM1086<br>CS-3.3    |
| <a href="#">LM1086CS-5.0/NOPB</a>  | Active        | Production           | DDPAK/<br>TO-263 (KTT)   3 | 45   TUBE             | ROHS Exempt | SN                                   | Level-3-245C-168 HR               | 0 to 125     | LM1086<br>CS-5.0    |
| LM1086CS-5.0/NOPB.B                | Active        | Production           | DDPAK/<br>TO-263 (KTT)   3 | 45   TUBE             | ROHS Exempt | SN                                   | Level-3-245C-168 HR               | 0 to 125     | LM1086<br>CS-5.0    |
| <a href="#">LM1086CS-ADJ/NOPB</a>  | Active        | Production           | DDPAK/<br>TO-263 (KTT)   3 | 45   TUBE             | ROHS Exempt | SN                                   | Level-3-245C-168 HR               | 0 to 125     | LM1086<br>CS-ADJ    |
| LM1086CS-ADJ/NOPB.B                | Active        | Production           | DDPAK/<br>TO-263 (KTT)   3 | 45   TUBE             | ROHS Exempt | SN                                   | Level-3-245C-168 HR               | 0 to 125     | LM1086<br>CS-ADJ    |
| <a href="#">LM1086CSX-2.5/NOPB</a> | Active        | Production           | DDPAK/<br>TO-263 (KTT)   3 | 500   LARGE T&R       | ROHS Exempt | SN                                   | Level-3-245C-168 HR               | 0 to 125     | LM1086<br>CS-2.5    |
| LM1086CSX-2.5/NOPB.B               | Active        | Production           | DDPAK/<br>TO-263 (KTT)   3 | 500   LARGE T&R       | ROHS Exempt | SN                                   | Level-3-245C-168 HR               | 0 to 125     | LM1086<br>CS-2.5    |
| <a href="#">LM1086CSX-3.3/NOPB</a> | Active        | Production           | DDPAK/<br>TO-263 (KTT)   3 | 500   LARGE T&R       | ROHS Exempt | SN                                   | Level-3-245C-168 HR               | 0 to 125     | LM1086<br>CS-3.3    |
| LM1086CSX-3.3/NOPB.B               | Active        | Production           | DDPAK/<br>TO-263 (KTT)   3 | 500   LARGE T&R       | ROHS Exempt | SN                                   | Level-3-245C-168 HR               | 0 to 125     | LM1086<br>CS-3.3    |
| <a href="#">LM1086CSX-ADJ/NOPB</a> | Active        | Production           | DDPAK/<br>TO-263 (KTT)   3 | 500   LARGE T&R       | ROHS Exempt | SN                                   | Level-3-245C-168 HR               | 0 to 125     | LM1086<br>CS-ADJ    |
| LM1086CSX-ADJ/NOPB.B               | Active        | Production           | DDPAK/<br>TO-263 (KTT)   3 | 500   LARGE T&R       | ROHS Exempt | SN                                   | Level-3-245C-168 HR               | 0 to 125     | LM1086<br>CS-ADJ    |
| <a href="#">LM1086CT-3.3/NOPB</a>  | Active        | Production           | TO-220 (NDE)   3           | 45   TUBE             | Yes         | SN                                   | Level-1-NA-UNLIM                  | 0 to 125     | LM1086<br>CT-3.3    |
| LM1086CT-3.3/NOPB.B                | Active        | Production           | TO-220 (NDE)   3           | 45   TUBE             | Yes         | SN                                   | Level-1-NA-UNLIM                  | 0 to 125     | LM1086<br>CT-3.3    |

| Orderable part number              | Status<br>(1) | Material type<br>(2) | Package   Pins             | Package qty   Carrier | RoHS<br>(3) | Lead finish/<br>Ball material<br>(4) | MSL rating/<br>Peak reflow<br>(5) | Op temp (°C) | Part marking<br>(6) |
|------------------------------------|---------------|----------------------|----------------------------|-----------------------|-------------|--------------------------------------|-----------------------------------|--------------|---------------------|
| <a href="#">LM1086CT-5.0/NOPB</a>  | Active        | Production           | TO-220 (NDE)   3           | 45   TUBE             | Yes         | SN                                   | Level-1-NA-UNLIM                  | 0 to 125     | LM1086<br>CT-5.0    |
| LM1086CT-5.0/NOPB.B                | Active        | Production           | TO-220 (NDE)   3           | 45   TUBE             | Yes         | SN                                   | Level-1-NA-UNLIM                  | 0 to 125     | LM1086<br>CT-5.0    |
| <a href="#">LM1086CT-ADJ/NOPB</a>  | Active        | Production           | TO-220 (NDE)   3           | 45   TUBE             | Yes         | SN                                   | Level-1-NA-UNLIM                  | 0 to 125     | LM1086<br>CT-ADJ    |
| LM1086CT-ADJ/NOPB.B                | Active        | Production           | TO-220 (NDE)   3           | 45   TUBE             | Yes         | SN                                   | Level-1-NA-UNLIM                  | 0 to 125     | LM1086<br>CT-ADJ    |
| <a href="#">LM1086ILD-3.3/NOPB</a> | Active        | Production           | WSON (NGN)   8             | 1000   SMALL T&R      | Yes         | SN                                   | Level-3-260C-168 HR               | -40 to 125   | 1086I33             |
| LM1086ILD-3.3/NOPB.B               | Active        | Production           | WSON (NGN)   8             | 1000   SMALL T&R      | Yes         | SN                                   | Level-3-260C-168 HR               | -40 to 125   | 1086I33             |
| <a href="#">LM1086IS-1.8/NOPB</a>  | Active        | Production           | DDPAK/<br>TO-263 (KTT)   3 | 45   TUBE             | ROHS Exempt | SN                                   | Level-3-245C-168 HR               | -40 to 125   | LM1086<br>IS-1.8    |
| LM1086IS-1.8/NOPB.B                | Active        | Production           | DDPAK/<br>TO-263 (KTT)   3 | 45   TUBE             | ROHS Exempt | SN                                   | Level-3-245C-168 HR               | -40 to 125   | LM1086<br>IS-1.8    |
| <a href="#">LM1086IS-3.3/NOPB</a>  | Active        | Production           | DDPAK/<br>TO-263 (KTT)   3 | 45   TUBE             | ROHS Exempt | SN                                   | Level-3-245C-168 HR               | -40 to 125   | LM1086<br>IS-3.3    |
| LM1086IS-3.3/NOPB.B                | Active        | Production           | DDPAK/<br>TO-263 (KTT)   3 | 45   TUBE             | ROHS Exempt | SN                                   | Level-3-245C-168 HR               | -40 to 125   | LM1086<br>IS-3.3    |
| <a href="#">LM1086IS-5.0</a>       | Obsolete      | Production           | DDPAK/<br>TO-263 (KTT)   3 | -                     | -           | Call TI                              | Call TI                           | -40 to 125   | LM1086<br>IS-5.0    |
| <a href="#">LM1086IS-5.0/NOPB</a>  | Active        | Production           | DDPAK/<br>TO-263 (KTT)   3 | 45   TUBE             | ROHS Exempt | SN                                   | Level-3-245C-168 HR               | -40 to 125   | LM1086<br>IS-5.0    |
| LM1086IS-5.0/NOPB.B                | Active        | Production           | DDPAK/<br>TO-263 (KTT)   3 | 45   TUBE             | ROHS Exempt | SN                                   | Level-3-245C-168 HR               | -40 to 125   | LM1086<br>IS-5.0    |
| <a href="#">LM1086IS-ADJ/NOPB</a>  | Active        | Production           | DDPAK/<br>TO-263 (KTT)   3 | 45   TUBE             | ROHS Exempt | SN                                   | Level-3-245C-168 HR               | -40 to 125   | LM1086<br>IS-ADJ    |
| LM1086IS-ADJ/NOPB.B                | Active        | Production           | DDPAK/<br>TO-263 (KTT)   3 | 45   TUBE             | ROHS Exempt | SN                                   | Level-3-245C-168 HR               | -40 to 125   | LM1086<br>IS-ADJ    |
| <a href="#">LM1086ISX-1.8/NOPB</a> | Active        | Production           | DDPAK/<br>TO-263 (KTT)   3 | 500   LARGE T&R       | ROHS Exempt | SN                                   | Level-3-245C-168 HR               | -40 to 125   | LM1086<br>IS-1.8    |
| LM1086ISX-1.8/NOPB.B               | Active        | Production           | DDPAK/<br>TO-263 (KTT)   3 | 500   LARGE T&R       | ROHS Exempt | SN                                   | Level-3-245C-168 HR               | -40 to 125   | LM1086<br>IS-1.8    |
| <a href="#">LM1086ISX-3.3/NOPB</a> | Active        | Production           | DDPAK/<br>TO-263 (KTT)   3 | 500   LARGE T&R       | ROHS Exempt | SN                                   | Level-3-245C-168 HR               | -40 to 125   | LM1086<br>IS-3.3    |

| Orderable part number              | Status<br>(1) | Material type<br>(2) | Package   Pins             | Package qty   Carrier | RoHS<br>(3) | Lead finish/<br>Ball material<br>(4) | MSL rating/<br>Peak reflow<br>(5) | Op temp (°C) | Part marking<br>(6) |
|------------------------------------|---------------|----------------------|----------------------------|-----------------------|-------------|--------------------------------------|-----------------------------------|--------------|---------------------|
| LM1086ISX-3.3/NOPB.B               | Active        | Production           | DDPAK/<br>TO-263 (KTT)   3 | 500   LARGE T&R       | ROHS Exempt | SN                                   | Level-3-245C-168 HR               | -40 to 125   | LM1086<br>IS-3.3    |
| <a href="#">LM1086ISX-5.0/NOPB</a> | Active        | Production           | DDPAK/<br>TO-263 (KTT)   3 | 500   LARGE T&R       | ROHS Exempt | SN                                   | Level-3-245C-168 HR               | -40 to 125   | LM1086<br>IS-5.0    |
| LM1086ISX-5.0/NOPB.B               | Active        | Production           | DDPAK/<br>TO-263 (KTT)   3 | 500   LARGE T&R       | ROHS Exempt | SN                                   | Level-3-245C-168 HR               | -40 to 125   | LM1086<br>IS-5.0    |
| <a href="#">LM1086ISX-ADJ/NOPB</a> | Active        | Production           | DDPAK/<br>TO-263 (KTT)   3 | 500   LARGE T&R       | ROHS Exempt | SN                                   | Level-3-245C-168 HR               | -40 to 125   | LM1086<br>IS-ADJ    |
| LM1086ISX-ADJ/NOPB.B               | Active        | Production           | DDPAK/<br>TO-263 (KTT)   3 | 500   LARGE T&R       | ROHS Exempt | SN                                   | Level-3-245C-168 HR               | -40 to 125   | LM1086<br>IS-ADJ    |
| <a href="#">LM1086IT-3.3/NOPB</a>  | Active        | Production           | TO-220 (NDE)   3           | 45   TUBE             | Yes         | SN                                   | Level-1-NA-UNLIM                  | -40 to 125   | LM1086<br>IT-3.3    |
| LM1086IT-3.3/NOPB.B                | Active        | Production           | TO-220 (NDE)   3           | 45   TUBE             | Yes         | SN                                   | Level-1-NA-UNLIM                  | -40 to 125   | LM1086<br>IT-3.3    |
| <a href="#">LM1086IT-5.0/NOPB</a>  | Active        | Production           | TO-220 (NDE)   3           | 45   TUBE             | Yes         | SN                                   | Level-1-NA-UNLIM                  | -40 to 125   | LM1086<br>IT-5.0    |
| LM1086IT-5.0/NOPB.B                | Active        | Production           | TO-220 (NDE)   3           | 45   TUBE             | Yes         | SN                                   | Level-1-NA-UNLIM                  | -40 to 125   | LM1086<br>IT-5.0    |
| <a href="#">LM1086IT-ADJ/NOPB</a>  | Active        | Production           | TO-220 (NDE)   3           | 45   TUBE             | Yes         | SN                                   | Level-1-NA-UNLIM                  | -40 to 125   | LM1086<br>IT-ADJ    |
| LM1086IT-ADJ/NOPB.B                | Active        | Production           | TO-220 (NDE)   3           | 45   TUBE             | Yes         | SN                                   | Level-1-NA-UNLIM                  | -40 to 125   | LM1086<br>IT-ADJ    |

(1) **Status:** For more details on status, see our [product life cycle](#).

(2) **Material type:** When designated, preproduction parts are prototypes/experimental devices, and are not yet approved or released for full production. Testing and final process, including without limitation quality assurance, reliability performance testing, and/or process qualification, may not yet be complete, and this item is subject to further changes or possible discontinuation. If available for ordering, purchases will be subject to an additional waiver at checkout, and are intended for early internal evaluation purposes only. These items are sold without warranties of any kind.

(3) **RoHS values:** Yes, No, RoHS Exempt. See the [TI RoHS Statement](#) for additional information and value definition.

(4) **Lead finish/Ball material:** Parts may have multiple material finish options. Finish options are separated by a vertical ruled line. Lead finish/Ball material values may wrap to two lines if the finish value exceeds the maximum column width.

(5) **MSL rating/Peak reflow:** The moisture sensitivity level ratings and peak solder (reflow) temperatures. In the event that a part has multiple moisture sensitivity ratings, only the lowest level per JEDEC standards is shown. Refer to the shipping label for the actual reflow temperature that will be used to mount the part to the printed circuit board.

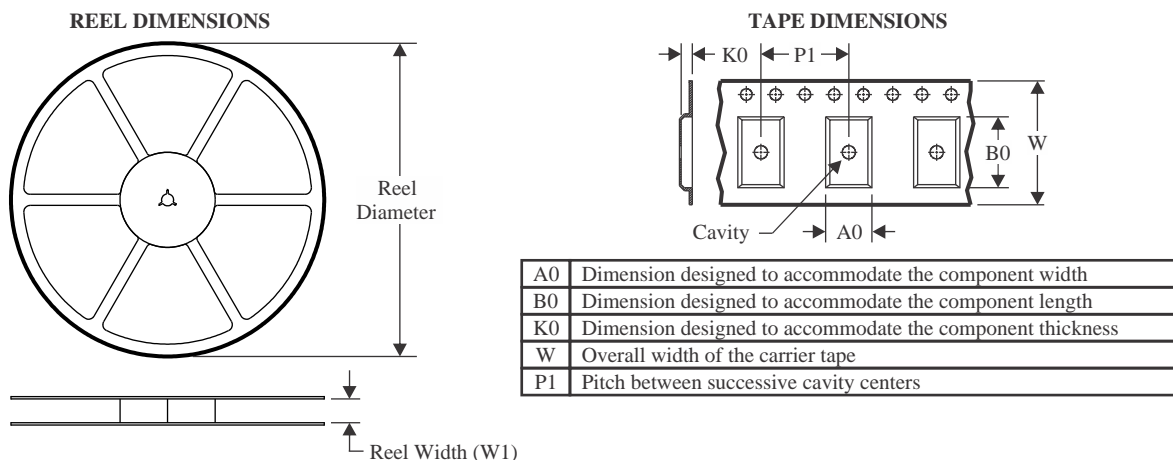
(6) **Part marking:** There may be an additional marking, which relates to the logo, the lot trace code information, or the environmental category of the part.

Multiple part markings will be inside parentheses. Only one part marking contained in parentheses and separated by a "~" will appear on a part. If a line is indented then it is a continuation of the previous line and the two combined represent the entire part marking for that device.

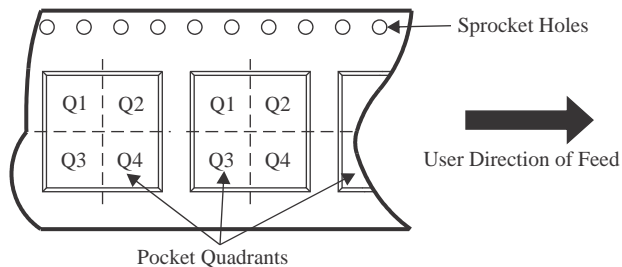
**Important Information and Disclaimer:**The information provided on this page represents TI's knowledge and belief as of the date that it is provided. TI bases its knowledge and belief on information provided by third parties, and makes no representation or warranty as to the accuracy of such information. Efforts are underway to better integrate information from third parties. TI has taken and continues to take reasonable steps to provide representative and accurate information but may not have conducted destructive testing or chemical analysis on incoming materials and chemicals. TI and TI suppliers consider certain information to be proprietary, and thus CAS numbers and other limited information may not be available for release.

In no event shall TI's liability arising out of such information exceed the total purchase price of the TI part(s) at issue in this document sold by TI to Customer on an annual basis.

## TAPE AND REEL INFORMATION



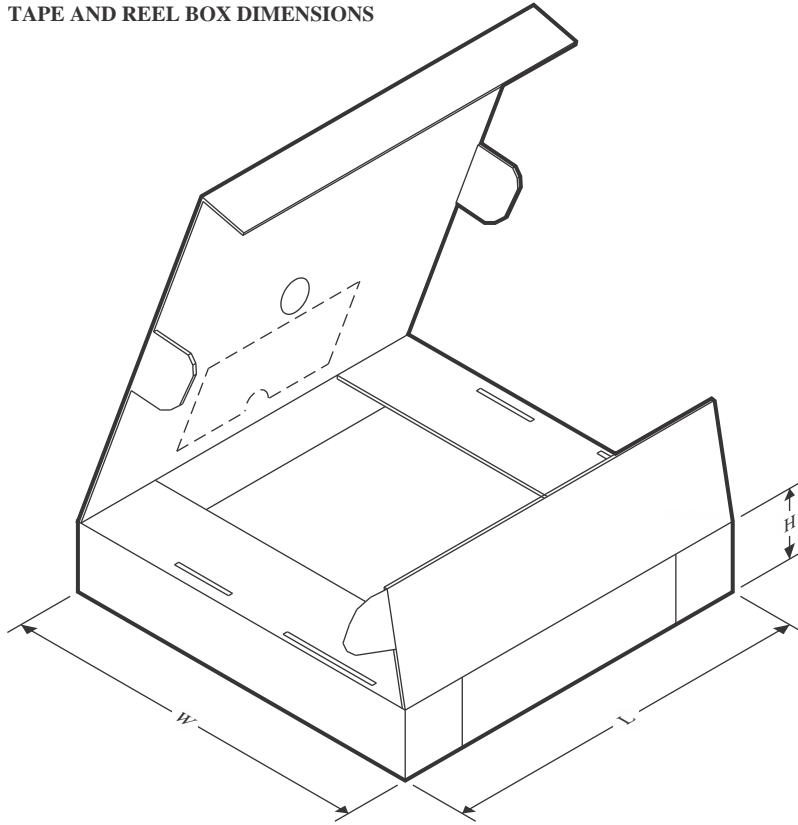
### QUADRANT ASSIGNMENTS FOR PIN 1 ORIENTATION IN TAPE



\*All dimensions are nominal

| Device             | Package Type     | Package Drawing | Pins | SPQ  | Reel Diameter (mm) | Reel Width W1 (mm) | A0 (mm) | B0 (mm) | K0 (mm) | P1 (mm) | W (mm) | Pin1 Quadrant |
|--------------------|------------------|-----------------|------|------|--------------------|--------------------|---------|---------|---------|---------|--------|---------------|
| LM1086CSX-2.5/NOPB | DDPAK/<br>TO-263 | KTT             | 3    | 500  | 330.0              | 24.4               | 10.75   | 14.85   | 5.0     | 16.0    | 24.0   | Q2            |
| LM1086CSX-3.3/NOPB | DDPAK/<br>TO-263 | KTT             | 3    | 500  | 330.0              | 24.4               | 10.75   | 14.85   | 5.0     | 16.0    | 24.0   | Q2            |
| LM1086CSX-ADJ/NOPB | DDPAK/<br>TO-263 | KTT             | 3    | 500  | 330.0              | 24.4               | 10.75   | 14.85   | 5.0     | 16.0    | 24.0   | Q2            |
| LM1086ILD-3.3/NOPB | WSO              | NGN             | 8    | 1000 | 177.8              | 12.4               | 4.3     | 4.3     | 1.3     | 8.0     | 12.0   | Q1            |
| LM1086ISX-1.8/NOPB | DDPAK/<br>TO-263 | KTT             | 3    | 500  | 330.0              | 24.4               | 10.75   | 14.85   | 5.0     | 16.0    | 24.0   | Q2            |
| LM1086ISX-3.3/NOPB | DDPAK/<br>TO-263 | KTT             | 3    | 500  | 330.0              | 24.4               | 10.75   | 14.85   | 5.0     | 16.0    | 24.0   | Q2            |
| LM1086ISX-5.0/NOPB | DDPAK/<br>TO-263 | KTT             | 3    | 500  | 330.0              | 24.4               | 10.75   | 14.85   | 5.0     | 16.0    | 24.0   | Q2            |
| LM1086ISX-ADJ/NOPB | DDPAK/<br>TO-263 | KTT             | 3    | 500  | 330.0              | 24.4               | 10.75   | 14.85   | 5.0     | 16.0    | 24.0   | Q2            |

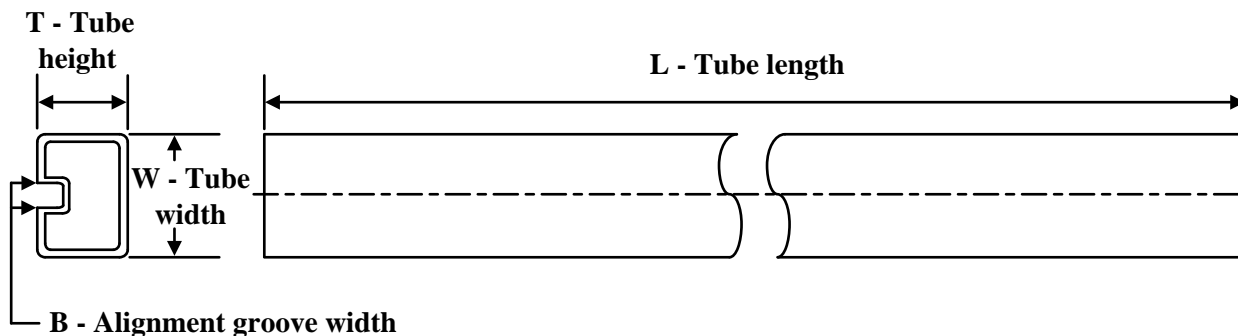
## TAPE AND REEL BOX DIMENSIONS



\*All dimensions are nominal

| Device             | Package Type | Package Drawing | Pins | SPQ  | Length (mm) | Width (mm) | Height (mm) |
|--------------------|--------------|-----------------|------|------|-------------|------------|-------------|
| LM1086CSX-2.5/NOPB | DDPAK/TO-263 | KTT             | 3    | 500  | 356.0       | 356.0      | 45.0        |
| LM1086CSX-3.3/NOPB | DDPAK/TO-263 | KTT             | 3    | 500  | 356.0       | 356.0      | 45.0        |
| LM1086CSX-ADJ/NOPB | DDPAK/TO-263 | KTT             | 3    | 500  | 356.0       | 356.0      | 45.0        |
| LM1086ILD-3.3/NOPB | WSON         | NGN             | 8    | 1000 | 208.0       | 191.0      | 35.0        |
| LM1086ISX-1.8/NOPB | DDPAK/TO-263 | KTT             | 3    | 500  | 356.0       | 356.0      | 45.0        |
| LM1086ISX-3.3/NOPB | DDPAK/TO-263 | KTT             | 3    | 500  | 356.0       | 356.0      | 45.0        |
| LM1086ISX-5.0/NOPB | DDPAK/TO-263 | KTT             | 3    | 500  | 356.0       | 356.0      | 45.0        |
| LM1086ISX-ADJ/NOPB | DDPAK/TO-263 | KTT             | 3    | 500  | 356.0       | 356.0      | 45.0        |

## TUBE

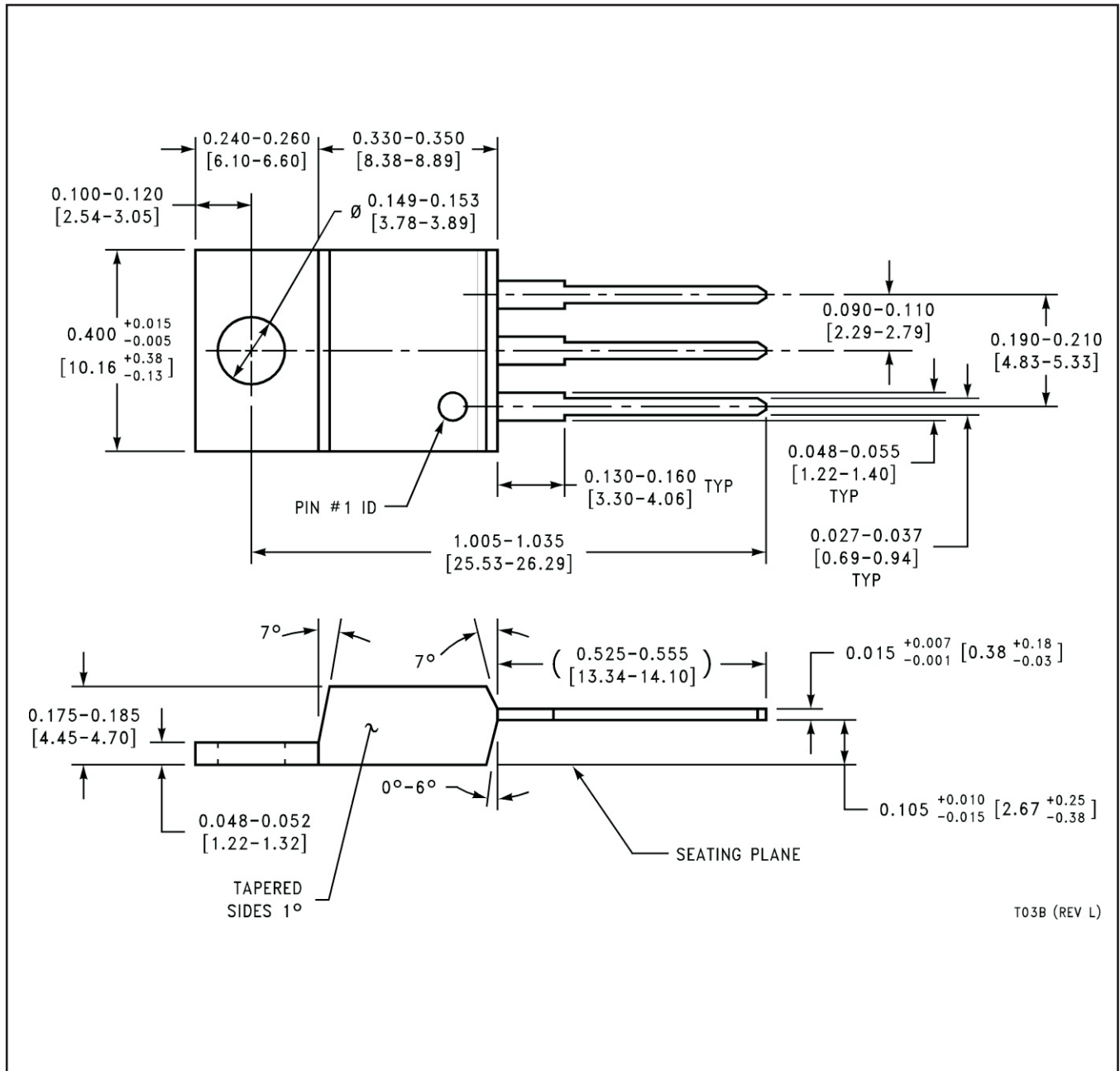


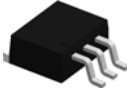
\*All dimensions are nominal

| Device              | Package Name | Package Type | Pins | SPQ | L (mm) | W (mm) | T (μm) | B (mm) |
|---------------------|--------------|--------------|------|-----|--------|--------|--------|--------|
| LM1086CS-2.5/NOPB   | KTT          | TO-263       | 3    | 45  | 502    | 25     | 8204.2 | 9.19   |
| LM1086CS-2.5/NOPB.B | KTT          | TO-263       | 3    | 45  | 502    | 25     | 8204.2 | 9.19   |
| LM1086CS-3.3/NOPB   | KTT          | TO-263       | 3    | 45  | 502    | 25     | 8204.2 | 9.19   |
| LM1086CS-3.3/NOPB.B | KTT          | TO-263       | 3    | 45  | 502    | 25     | 8204.2 | 9.19   |
| LM1086CS-5.0/NOPB   | KTT          | TO-263       | 3    | 45  | 502    | 25     | 8204.2 | 9.19   |
| LM1086CS-5.0/NOPB.B | KTT          | TO-263       | 3    | 45  | 502    | 25     | 8204.2 | 9.19   |
| LM1086CS-ADJ/NOPB   | KTT          | TO-263       | 3    | 45  | 502    | 25     | 8204.2 | 9.19   |
| LM1086CS-ADJ/NOPB.B | KTT          | TO-263       | 3    | 45  | 502    | 25     | 8204.2 | 9.19   |
| LM1086CT-3.3/NOPB   | NDE          | TO-220       | 3    | 45  | 502    | 33     | 6985   | 4.06   |
| LM1086CT-3.3/NOPB.B | NDE          | TO-220       | 3    | 45  | 502    | 33     | 6985   | 4.06   |
| LM1086CT-5.0/NOPB   | NDE          | TO-220       | 3    | 45  | 502    | 33     | 6985   | 4.06   |
| LM1086CT-5.0/NOPB.B | NDE          | TO-220       | 3    | 45  | 502    | 33     | 6985   | 4.06   |
| LM1086CT-ADJ/NOPB   | NDE          | TO-220       | 3    | 45  | 502    | 33     | 6985   | 4.06   |
| LM1086CT-ADJ/NOPB.B | NDE          | TO-220       | 3    | 45  | 502    | 33     | 6985   | 4.06   |
| LM1086IS-1.8/NOPB   | KTT          | TO-263       | 3    | 45  | 502    | 25     | 8204.2 | 9.19   |
| LM1086IS-1.8/NOPB.B | KTT          | TO-263       | 3    | 45  | 502    | 25     | 8204.2 | 9.19   |
| LM1086IS-3.3/NOPB   | KTT          | TO-263       | 3    | 45  | 502    | 25     | 8204.2 | 9.19   |
| LM1086IS-3.3/NOPB.B | KTT          | TO-263       | 3    | 45  | 502    | 25     | 8204.2 | 9.19   |
| LM1086IS-5.0/NOPB   | KTT          | TO-263       | 3    | 45  | 502    | 25     | 8204.2 | 9.19   |
| LM1086IS-5.0/NOPB.B | KTT          | TO-263       | 3    | 45  | 502    | 25     | 8204.2 | 9.19   |
| LM1086IS-ADJ/NOPB   | KTT          | TO-263       | 3    | 45  | 502    | 25     | 8204.2 | 9.19   |
| LM1086IS-ADJ/NOPB.B | KTT          | TO-263       | 3    | 45  | 502    | 25     | 8204.2 | 9.19   |
| LM1086IT-3.3/NOPB   | NDE          | TO-220       | 3    | 45  | 502    | 33     | 6985   | 4.06   |
| LM1086IT-3.3/NOPB.B | NDE          | TO-220       | 3    | 45  | 502    | 33     | 6985   | 4.06   |
| LM1086IT-5.0/NOPB   | NDE          | TO-220       | 3    | 45  | 502    | 33     | 6985   | 4.06   |
| LM1086IT-5.0/NOPB.B | NDE          | TO-220       | 3    | 45  | 502    | 33     | 6985   | 4.06   |
| LM1086IT-ADJ/NOPB   | NDE          | TO-220       | 3    | 45  | 502    | 33     | 6985   | 4.06   |
| LM1086IT-ADJ/NOPB.B | NDE          | TO-220       | 3    | 45  | 502    | 33     | 6985   | 4.06   |

MECHANICAL DATA

NDE0003B



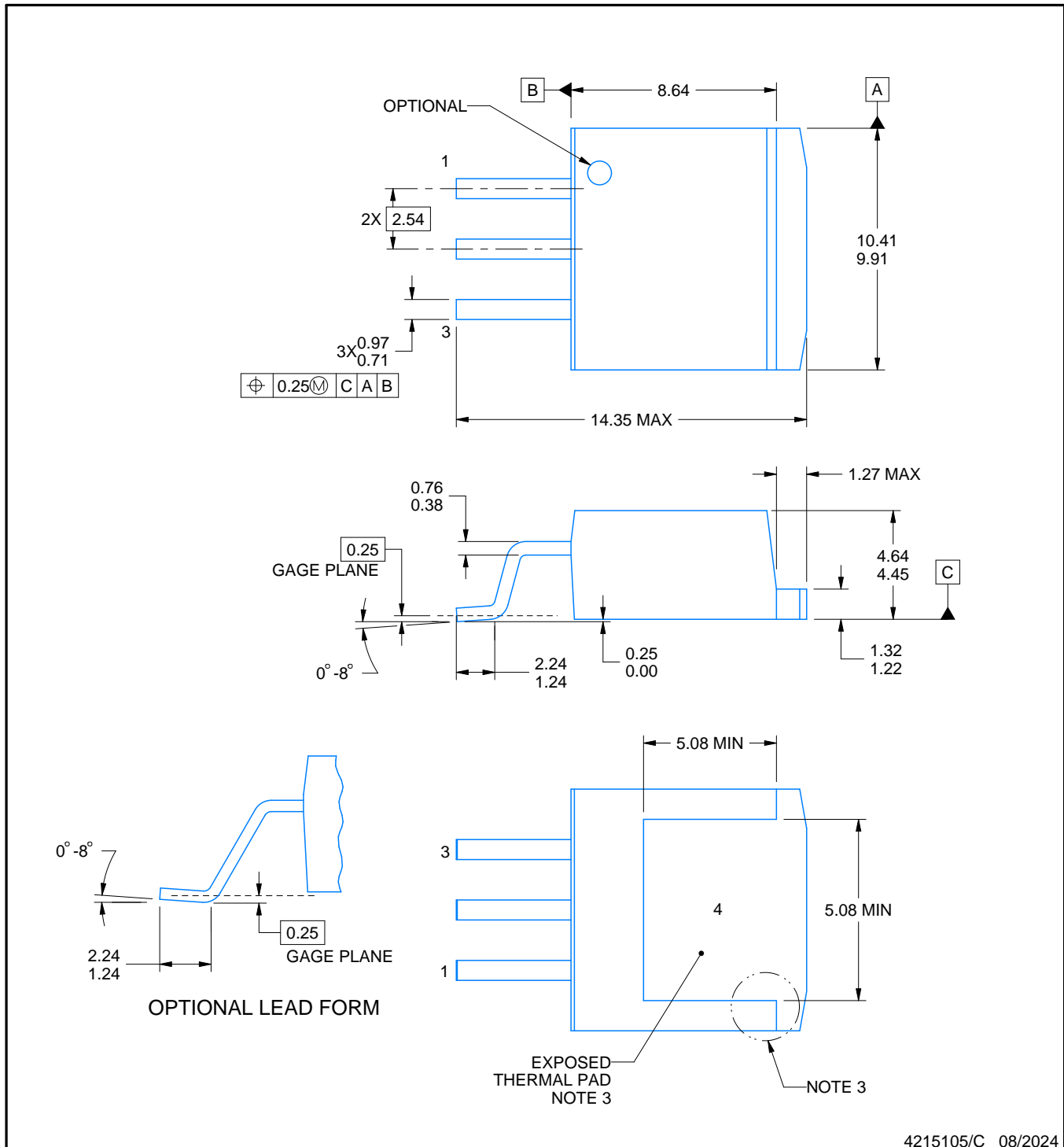


# PACKAGE OUTLINE

## KTT0003B

### TO-263 - 4.83 mm max height

TRANSISTOR OUTLINE



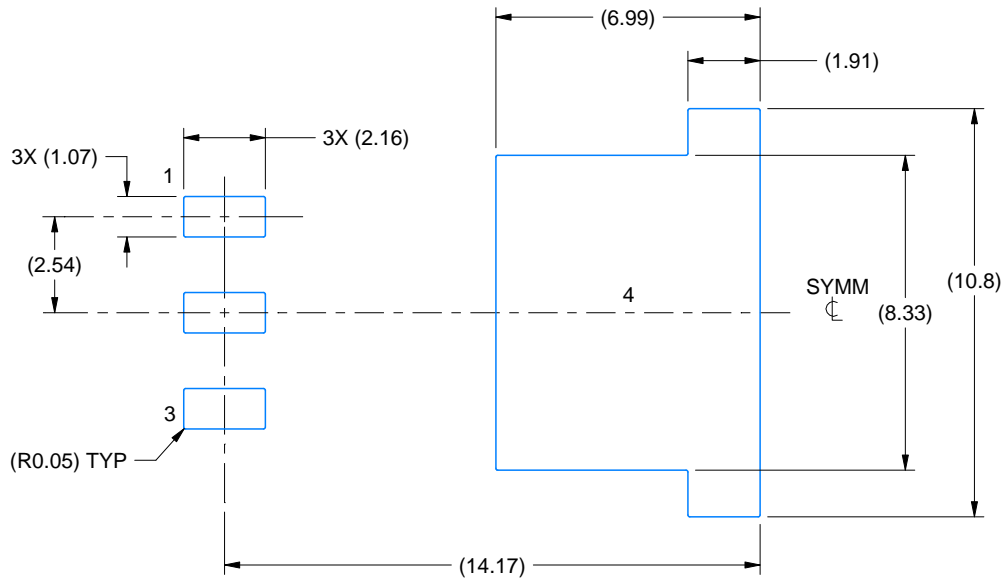
4215105/C 08/2024

#### NOTES:

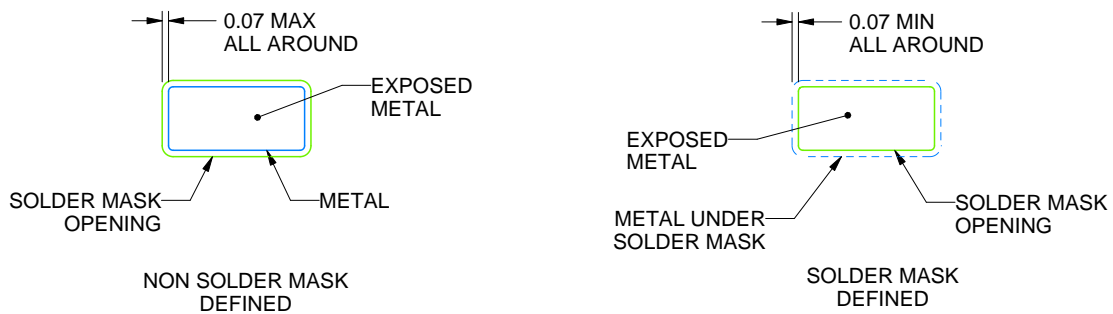
1. All linear dimensions are in millimeters. Any dimensions in parenthesis are for reference only. Dimensioning and tolerancing per ASME Y14.5M.
2. This drawing is subject to change without notice.
3. Features may not exist and shape may vary per different assembly sites.
4. Reference JEDEC registration TO-263, except minimum lead thickness and minimum exposed pad length.

**EXAMPLE BOARD LAYOUT****KTT0003B****TO-263 - 4.83 mm max height**

TRANSISTOR OUTLINE



LAND PATTERN EXAMPLE  
EXPOSED METAL SHOWN  
SCALE:5X



SOLDER MASK DETAILS

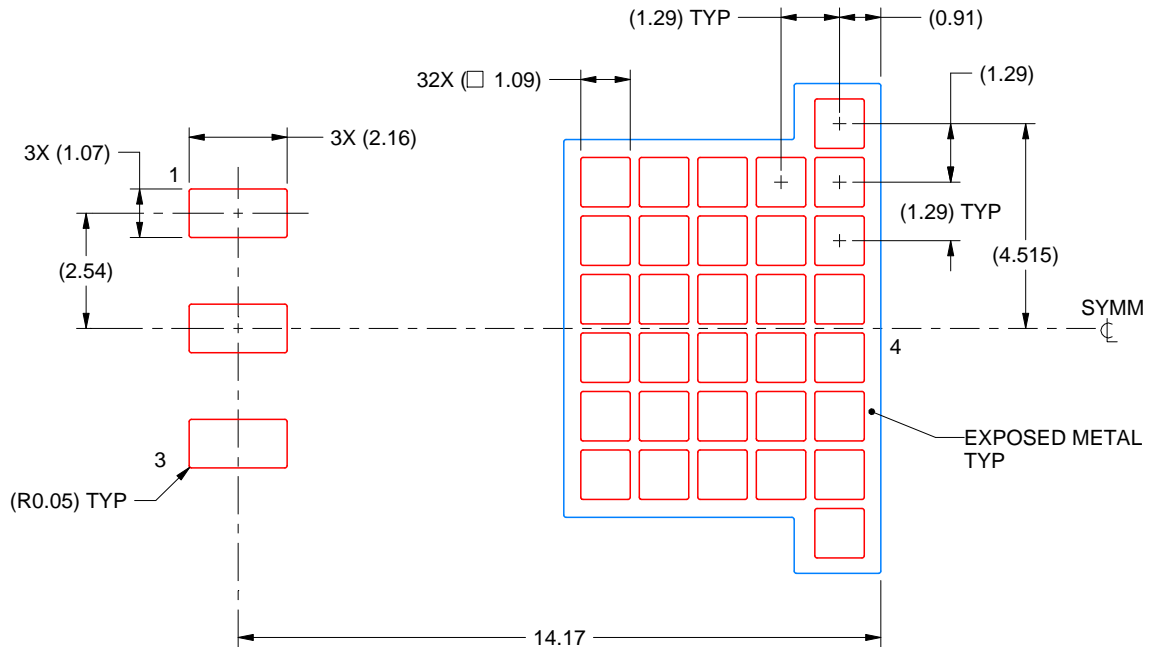
4215105/C 08/2024

NOTES: (continued)

5. This package is designed to be soldered to a thermal pad on the board. For more information, see Texas Instruments literature numbers SLMA002 ([www.ti.com/lit/slm002](http://www.ti.com/lit/slm002)) and SLMA004 ([www.ti.com/lit/slma004](http://www.ti.com/lit/slma004)).
6. Vias are optional depending on application, refer to device data sheet. It is recommended that vias under paste be filled, plugged or tented.

**EXAMPLE STENCIL DESIGN****KTT0003B****TO-263 - 4.83 mm max height**

TRANSISTOR OUTLINE



**SOLDER PASTE EXAMPLE**  
 BASED ON 0.125 mm THICK STENCIL

EXPOSED PAD  
 60% PRINTED SOLDER COVERAGE BY AREA  
 SCALE:6X

4215105/C 08/2024

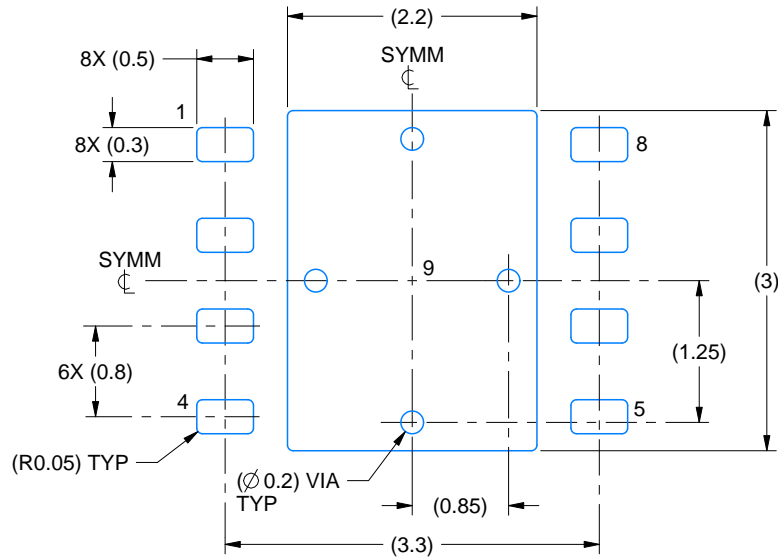
NOTES: (continued)

7. Laser cutting apertures with trapezoidal walls and rounded corners may offer better paste release. IPC-7525 may have alternate design recommendations.
8. Board assembly site may have different recommendations for stencil design.

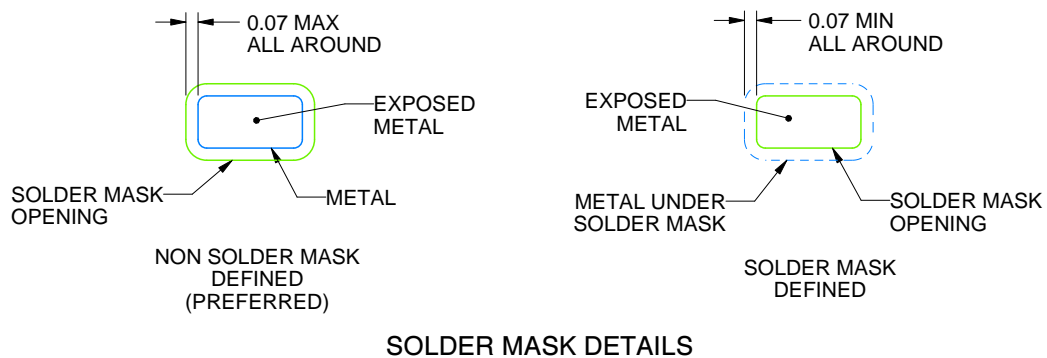


**EXAMPLE BOARD LAYOUT****NGN0008A****WSON - 0.8 mm max height**

PLASTIC SMALL OUTLINE - NO LEAD



**LAND PATTERN EXAMPLE**  
EXPOSED METAL SHOWN  
SCALE:15X



**SOLDER MASK DETAILS**

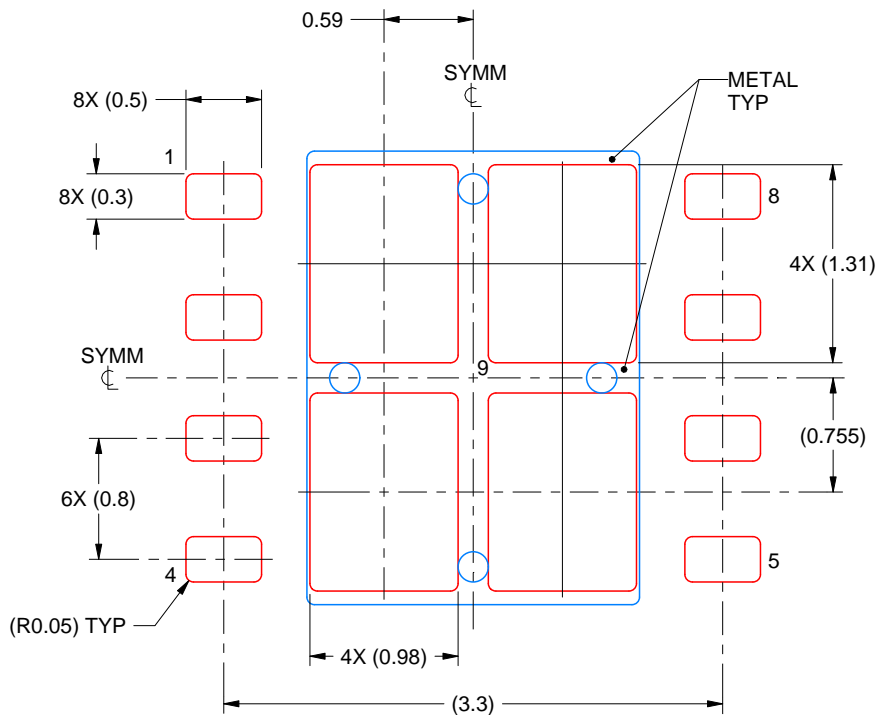
4214794/A 11/2019

NOTES: (continued)

4. This package is designed to be soldered to a thermal pad on the board. For more information, see Texas Instruments literature number SLUA271 ([www.ti.com/lit/sluea271](http://www.ti.com/lit/sluea271)).
5. Vias are optional depending on application, refer to device data sheet. If any vias are implemented, refer to their locations shown on this view. It is recommended that vias under paste be filled, plugged or tented.

**EXAMPLE STENCIL DESIGN****NGN0008A****WSON - 0.8 mm max height**

PLASTIC SMALL OUTLINE - NO LEAD



**SOLDER PASTE EXAMPLE**  
 BASED ON 0.125 mm THICK STENCIL

EXPOSED PAD 9:  
 78% PRINTED SOLDER COVERAGE BY AREA UNDER PACKAGE  
 SCALE:20X

4214794/A 11/2019

NOTES: (continued)

6. Laser cutting apertures with trapezoidal walls and rounded corners may offer better paste release. IPC-7525 may have alternate design recommendations.

## IMPORTANT NOTICE AND DISCLAIMER

TI PROVIDES TECHNICAL AND RELIABILITY DATA (INCLUDING DATASHEETS), DESIGN RESOURCES (INCLUDING REFERENCE DESIGNS), APPLICATION OR OTHER DESIGN ADVICE, WEB TOOLS, SAFETY INFORMATION, AND OTHER RESOURCES "AS IS" AND WITH ALL FAULTS, AND DISCLAIMS ALL WARRANTIES, EXPRESS AND IMPLIED, INCLUDING WITHOUT LIMITATION ANY IMPLIED WARRANTIES OF MERCHANTABILITY, FITNESS FOR A PARTICULAR PURPOSE OR NON-INFRINGEMENT OF THIRD PARTY INTELLECTUAL PROPERTY RIGHTS.

These resources are intended for skilled developers designing with TI products. You are solely responsible for (1) selecting the appropriate TI products for your application, (2) designing, validating and testing your application, and (3) ensuring your application meets applicable standards, and any other safety, security, regulatory or other requirements.

These resources are subject to change without notice. TI grants you permission to use these resources only for development of an application that uses the TI products described in the resource. Other reproduction and display of these resources is prohibited. No license is granted to any other TI intellectual property right or to any third party intellectual property right. TI disclaims responsibility for, and you fully indemnify TI and its representatives against any claims, damages, costs, losses, and liabilities arising out of your use of these resources.

TI's products are provided subject to [TI's Terms of Sale](#), [TI's General Quality Guidelines](#), or other applicable terms available either on [ti.com](http://ti.com) or provided in conjunction with such TI products. TI's provision of these resources does not expand or otherwise alter TI's applicable warranties or warranty disclaimers for TI products. Unless TI explicitly designates a product as custom or customer-specified, TI products are standard, catalog, general purpose devices.

TI objects to and rejects any additional or different terms you may propose.

Copyright © 2026, Texas Instruments Incorporated

Last updated 10/2025

## OUR CERTIFICATE

DiGi provide top-quality products and perfect service for customer worldwide through standardization, technological innovation and continuous improvement. DiGi through third-party certification, we stricly control the quality of products and services. Welcome your RFQ to

Email: [Info@DiGi-Electronics.com](mailto:Info@DiGi-Electronics.com)



Tel: +00 852-30501935

RFQ Email: [Info@DiGi-Electronics.com](mailto:Info@DiGi-Electronics.com)

DiGi is a global authorized distributor of electronic components.