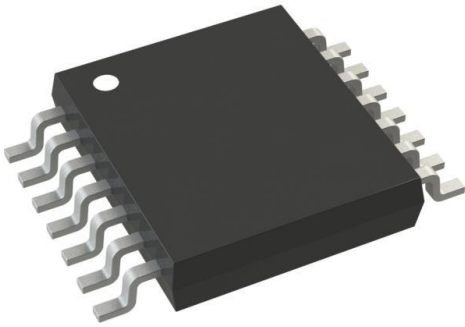


# LM2852YMXA-1.2 Datasheet

[www.digi-electronics.com](http://www.digi-electronics.com)



LM2852YMXA-1.2

<https://www.DiGi-Electronics.com>

DiGi Electronics Part Number	LM2852YMXA-1.2-DG
Manufacturer	<a href="#">Texas Instruments</a>
Manufacturer Product Number	LM2852YMXA-1.2
Description	IC REG BUCK 1.2V 2A 14HTSSOP
Detailed Description	Buck Switching Regulator IC Positive Fixed 1.2V 1 Output 2A 14-PowerTSSOP (0.173", 4.40mm Width)



Tel: +00 852-30501935

RFQ Email: [Info@DiGi-Electronics.com](mailto:Info@DiGi-Electronics.com)

DiGi is a global authorized distributor of electronic components.

## Purchase and inquiry

Manufacturer Product Number:

LM2852YMXA-1.2

Series:

SIMPLE SWITCHER®

Function:

Step-Down

Topology:

Buck

Number of Outputs:

1

Voltage - Input (Max):

5.5V

Voltage - Output (Max):

-

Frequency - Switching:

500kHz

Operating Temperature:

-40°C ~ 125°C (Tj)

Package / Case:

14-PowerTSSOP (0.173", 4.40mm Width)

Base Product Number:

LM2852

Manufacturer:

Texas Instruments

Product Status:

Obsolete

Output Configuration:

Positive

Output Type:

Fixed

Voltage - Input (Min):

2.85V

Voltage - Output (Min/Fixed):

1.2V

Current - Output:

2A

Synchronous Rectifier:

Yes

Mounting Type:

Surface Mount

Supplier Device Package:

14-HTSSOP

## Environmental & Export classification

RoHS Status:

RoHS non-compliant

REACH Status:

REACH Unaffected

HTSUS:

8542.39.0001

Moisture Sensitivity Level (MSL):

1 (Unlimited)

ECCN:

EAR99

## LM2852 2A 500/1500 kHz Synchronous Buck Regulator

### 1 Features

- Input Voltage Range of 2.85 V to 5.5 V
- Factory EEPROM Set Output Voltages from 0.8 V to 3.3 V in 100-mV Increments
- Maximum Load Current of 2 A
- Voltage Mode Control
- Internal Type-Three Compensation
- Switching Frequency of 500 kHz or 1.5 MHz
- Low Standby Current of 10  $\mu$ A
- Internal 60-m $\Omega$  MOSFET Switches
- Standard Voltage Options 0.8/1/1.2/1.5/1.8/2.5/3.3 V

### 2 Applications

- Low Voltage Point of Load Regulation
- Local Solution for FPGA/DSP/ASIC Core Power
- Broadband Networking and Communications Infrastructure
- Portable Computing

### 3 Description

The LM2852 synchronous buck regulator is a high frequency step-down switching voltage regulator capable of driving up to a 2A load with excellent line and load regulation. The LM2852 can accept an input voltage between 2.85 V and 5.5 V and deliver an output voltage that is factory programmable from 0.8 V to 3.3 V in 100-mV increments. The LM2852 is available with a choice of two switching frequencies –500 kHz (LM2852Y) or 1.5 MHz (LM2852X). It also features internal, type-three compensation to deliver a low component count solution. The exposed-pad HTSSOP-14 package enhances the thermal performance of the LM2852.

#### Device Information<sup>(1)</sup>

PART NUMBER	PACKAGE	BODY SIZE (NOM)
LM2852	HTSSOP (14)	5.00 mm x 4.40 mm

(1) For all available packages, see the orderable addendum at the end of the data sheet.

#### Typical Application Circuit

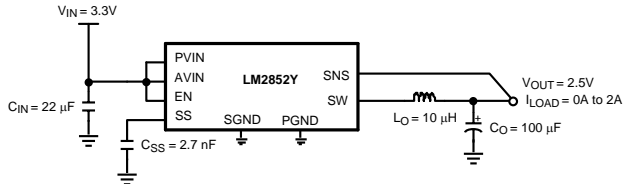
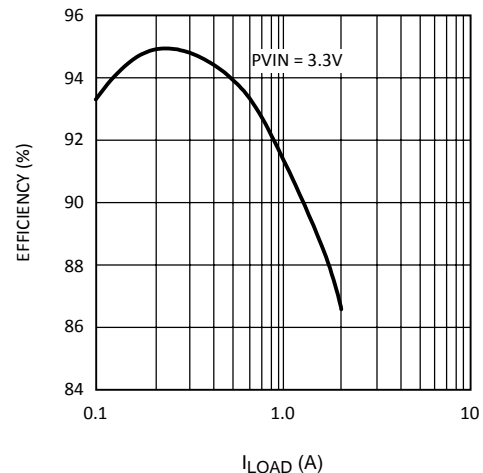


Figure 1. Efficiency vs  $I_{LOAD}$



**LM2852**

SNVS325E –JANUARY 2005–REVISED JANUARY 2016

[www.ti.com](http://www.ti.com)**Table of Contents**

<b>1 Features</b> .....	<b>1</b>	7.3 Feature Description .....	<b>11</b>
<b>2 Applications</b> .....	<b>1</b>	7.4 Device Functional Modes .....	<b>11</b>
<b>3 Description</b> .....	<b>1</b>	<b>8 Application and Implementation</b> .....	<b>12</b>
<b>4 Revision History</b> .....	<b>2</b>	8.1 Application Information .....	<b>12</b>
<b>5 Pin Configuration and Functions</b> .....	<b>3</b>	8.2 Typical Application .....	<b>12</b>
<b>6 Specifications</b> .....	<b>4</b>	<b>9 Power Supply Recommendations</b> .....	<b>18</b>
6.1 Absolute Maximum Ratings .....	<b>4</b>	<b>10 Layout</b> .....	<b>18</b>
6.2 ESD Ratings .....	<b>4</b>	10.1 Layout Guidelines .....	<b>18</b>
6.3 Recommended Operating Conditions .....	<b>4</b>	10.2 Layout Example .....	<b>18</b>
6.4 Thermal Information .....	<b>4</b>	<b>11 Device and Documentation Support</b> .....	<b>19</b>
6.5 Electrical Characteristics .....	<b>5</b>	11.1 Device Support .....	<b>19</b>
6.6 LM2852Y Typical Characteristics (500 kHz) .....	<b>7</b>	11.2 Community Resources .....	<b>19</b>
6.7 LM2852X Typical Characteristics (1500 kHz) .....	<b>8</b>	11.3 Trademarks .....	<b>19</b>
6.8 LM2852 Typical Characteristics (Both Y and X Versions) .....	<b>9</b>	11.4 Electrostatic Discharge Caution .....	<b>19</b>
<b>7 Detailed Description</b> .....	<b>10</b>	11.5 Glossary .....	<b>19</b>
7.1 Overview .....	<b>10</b>	<b>12 Mechanical, Packaging, and Orderable Information</b> .....	<b>19</b>
7.2 Functional Block Diagram .....	<b>10</b>		

**4 Revision History**

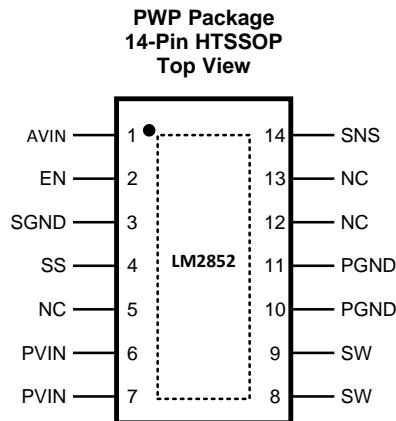
NOTE: Page numbers for previous revisions may differ from page numbers in the current version.

**Changes from Revision D (April 2013) to Revision E****Page**

- Added *ESD Ratings* table, *Feature Description* section, *Device Functional Modes*, *Application and Implementation* section, *Power Supply Recommendations* section, *Layout* section, *Device and Documentation Support* section, and *Mechanical, Packaging, and Orderable Information* section .....

**1**

## 5 Pin Configuration and Functions



### Pin Functions

PIN		I/O	DESCRIPTION
NAME	NO.		
AVIN	1	I	Chip bias input pin. This provides power to the logic of the chip. Connect to the input voltage or a separate rail.
EN	2	I	Enable. Connect this pin to ground to disable the chip; connect to AVIN or leave floating to enable the chip; enable is internally pulled up.
Exposed			Connect to ground.
NC	5, 12, 13		No connect. These pins must be tied to ground or left floating in the application.
PGND	10, 11	G	Power ground. Connect this to an internal ground plane or other large ground plane.
PVIN	6, 7	I	Input supply pin. PVIN is connected to the input voltage. This rail connects to the source of the internal power PFET.
SGND	3	G	Signal ground.
SNS	14	O	Output voltage sense pin. Connect this pin to the output voltage as close to the load as possible.
SS	4	I	Soft-start pin. Connect this pin to a small capacitor to control startup. The soft-start capacitance range is restricted to values 1 nF to 50 nF.
SW	8, 9	O	Switch pin. Connect to the output inductor.

**LM2852**

SNVS325E –JANUARY 2005–REVISED JANUARY 2016

www.ti.com

**6 Specifications****6.1 Absolute Maximum Ratings**over operating free-air temperature range (unless otherwise noted)<sup>(1)(2)</sup>

		MIN	MAX	UNIT
PVIN, AVIN, EN, SNS			6.5	V
Power dissipation		Internally limited		
14-Pin exposed pad HTSSOP package	Infrared (15 sec)		220	°C
	Vapor phase (60 sec)		215	°C
Maximum junction temperature			150	°C
Storage temperature, T <sub>stg</sub>		-65	150	°C

- (1) Stresses beyond those listed under *Absolute Maximum Ratings* may cause permanent damage to the device. These are stress ratings only, which do not imply functional operation of the device at these or any other conditions beyond those indicated under *Recommended Operating Conditions*. Exposure to absolute-maximum-rated conditions for extended periods may affect device reliability.
- (2) If Military/Aerospace specified devices are required, please contact the Texas Instruments Sales Office/ Distributors for availability and specifications.

**6.2 ESD Ratings**

			VALUE	UNIT
V <sub>(ESD)</sub>	Electrostatic discharge	Human-body model (HBM), per ANSI/ESDA/JEDEC JS-001 <sup>(1)</sup>	±2000	V

- (1) JEDEC document JEP155 states that 500-V HBM allows safe manufacturing with a standard ESD control process.

**6.3 Recommended Operating Conditions**

over operating free-air temperature range (unless otherwise noted)

		MIN	MAX	UNIT
PVIN to GND		1.5	5.5	V
AVIN to GND		2.85	5.5	V
Junction temperature		-40	125	°C

**6.4 Thermal Information**

THERMAL METRIC <sup>(1)</sup>		LM2852	UNIT
		PWP (HTSSOP)	
		14 PINS	
R <sub>θJA</sub>	Junction-to-ambient thermal resistance	39.2	°C/W
R <sub>θJC(top)</sub>	Junction-to-case (top) thermal resistance	24.1	°C/W
R <sub>θJB</sub>	Junction-to-board thermal resistance	20.1	°C/W
ψ <sub>JT</sub>	Junction-to-top characterization parameter	0.6	°C/W
ψ <sub>JB</sub>	Junction-to-board characterization parameter	19.8	°C/W
R <sub>θJC(bot)</sub>	Junction-to-case (bottom) thermal resistance	1.7	°C/W

- (1) For more information about traditional and new thermal metrics, see the [Semiconductor and IC Package Thermal Metrics](#) application report.

## 6.5 Electrical Characteristics

AVIN = PVIN = 5 V unless otherwise indicated under the Test Conditions column. Limits apply over the junction temperature ( $T_J$ ) range of  $-40^{\circ}\text{C}$  to  $125^{\circ}\text{C}$  (unless otherwise noted). Minimum and Maximum limits are ensured through test, design, or statistical correlation. Typical values represent the most likely parametric norm at  $T_J = 25^{\circ}\text{C}$ , and are provided for reference purposes only.

PARAMETER		TEST CONDITIONS		MIN	TYP	MAX	UNIT
<b>SYSTEM PARAMETERS</b>							
$V_{\text{OUT}}$	Voltage tolerance <sup>(1)</sup>	$V_{\text{OUT}} = 0.8\text{-V option}$		0.782		0.818	V
		$V_{\text{OUT}} = 1\text{-V option}$		0.9775		1.0225	
		$V_{\text{OUT}} = 1.2\text{-V option}$		1.173		1.227	
		$V_{\text{OUT}} = 1.5\text{-V option}$		1.4663		1.5337	
		$V_{\text{OUT}} = 1.8\text{-V option}$		1.7595		1.8405	
		$V_{\text{OUT}} = 2.5\text{-V option}$		2.4437		2.5563	
		$V_{\text{OUT}} = 3\text{-V option}$		2.9325		3.0675	
		$V_{\text{OUT}} = 3.3\text{-V option}$		3.2257		3.3743	
$\Delta V_{\text{OUT}}/\Delta V_{\text{IN}}$	Line regulation <sup>(1)</sup>	$V_{\text{OUT}} = 0.8\text{ V, } 1\text{ V, } 1.2\text{ V, } 1.5\text{ V, } 1.8\text{ V or } 2.5\text{ V, } 2.85\text{ V} \leq AV_{\text{IN}} \leq 5.5\text{ V}$	$T_J = -40^{\circ}\text{C to } 125^{\circ}\text{C}$			0.6%	
			$T_J = 25^{\circ}\text{C}$		0.2%		
		$V_{\text{OUT}} = 3.3\text{ V, } 3.5\text{ V} \leq AV_{\text{IN}} \leq 5.5\text{ V}$	$T_J = -40^{\circ}\text{C to } 125^{\circ}\text{C}$			0.6%	
			$T_J = 25^{\circ}\text{C}$		0.2%		
$\Delta V_{\text{OUT}}/\Delta I_{\text{O}}$	Load regulation	Normal operation	$T_J = 25^{\circ}\text{C}$		8		mV/A
$V_{\text{ON}}$	UVLO threshold ( $AV_{\text{IN}}$ )	Rising	$T_J = -40^{\circ}\text{C to } 125^{\circ}\text{C}$			2.85	V
			$T_J = 25^{\circ}\text{C}$		2.47		
		Falling hysteresis	$T_J = -40^{\circ}\text{C to } 125^{\circ}\text{C}$	85		210	mV
			$T_J = 25^{\circ}\text{C}$		150		
$r_{\text{DS(on)-P}}$	PFET ON resistance	$I_{\text{sw}} = 2\text{ A}$	$T_J = -40^{\circ}\text{C to } 125^{\circ}\text{C}$			140	m $\Omega$
			$T_J = 25^{\circ}\text{C}$		75		
$r_{\text{DS(on)-N}}$	NFET ON resistance	$I_{\text{sw}} = 2\text{ A}$	$T_J = -40^{\circ}\text{C to } 125^{\circ}\text{C}$			120	m $\Omega$
			$T_J = 25^{\circ}\text{C}$		55		
$R_{\text{SS}}$	Soft-start resistance	$T_J = 25^{\circ}\text{C}$			400		k $\Omega$
$I_{\text{CL}}$	Peak current limit threshold	LM2852X	$T_J = -40^{\circ}\text{C to } 125^{\circ}\text{C}$	2.75		4.95	A
			$T_J = 25^{\circ}\text{C}$		4		
		LM2852Y	$T_J = -40^{\circ}\text{C to } 125^{\circ}\text{C}$	2.25		3.65	
			$T_J = 25^{\circ}\text{C}$		3		
$I_{\text{Q}}$	Operating current	Non-switching	$T_J = -40^{\circ}\text{C to } 125^{\circ}\text{C}$			2	mA
			$T_J = 25^{\circ}\text{C}$		0.85		
$I_{\text{SD}}$	Shutdown quiescent current	$EN = 0\text{ V}$	$T_J = -40^{\circ}\text{C to } 125^{\circ}\text{C}$			25	$\mu\text{A}$
			$T_J = 25^{\circ}\text{C}$		10		
$R_{\text{SNS}}$	Sense pin resistance	$T_J = 25^{\circ}\text{C}$			400		k $\Omega$

(1)  $V_{\text{OUT}}$  measured in a non-switching, closed-loop configuration at the SNS pin.

**LM2852**

SNVS325E –JANUARY 2005–REVISED JANUARY 2016

www.ti.com

**Electrical Characteristics (continued)**

AVIN = PVIN = 5 V unless otherwise indicated under the Test Conditions column. Limits apply over the junction temperature ( $T_J$ ) range of  $-40^{\circ}\text{C}$  to  $125^{\circ}\text{C}$  (unless otherwise noted). Minimum and Maximum limits are ensured through test, design, or statistical correlation. Typical values represent the most likely parametric norm at  $T_J = 25^{\circ}\text{C}$ , and are provided for reference purposes only.

PARAMETER		TEST CONDITIONS		MIN	TYP	MAX	UNIT
<b>PWM</b>							
$f_{\text{osc}}$	LM2852X	1500-kHz option.	$T_J = -40^{\circ}\text{C}$ to $125^{\circ}\text{C}$	1050		1825	kHz
			$T_J = 25^{\circ}\text{C}$		1500		
	LM2852Y	500-kHz option.	$T_J = -40^{\circ}\text{C}$ to $125^{\circ}\text{C}$	325		625	kHz
			$T_J = 25^{\circ}\text{C}$		500		
$D_{\text{range}}$	Duty cycle			0%		100%	
<b>ENABLE CONTROL<sup>(2)</sup></b>							
$V_{\text{IH}}$	EN pin minimum high input			75			% of AVIN
$V_{\text{IL}}$	EN pin maximum low input					25	% of AVIN
$I_{\text{EN}}$	EN pin pullup current	EN = 0 V	$T_J = 25^{\circ}\text{C}$		1.2		$\mu\text{A}$
<b>THERMAL CONTROLS</b>							
$T_{\text{SD}}$	$T_J$ for thermal shutdown	$T_J = 25^{\circ}\text{C}$			165		$^{\circ}\text{C}$
$T_{\text{SD-HYS}}$	Hysteresis for thermal shutdown	$T_J = 25^{\circ}\text{C}$			10		$^{\circ}\text{C}$

(2) The enable pin is internally pulled up, so the LM2852 is automatically enabled unless an external enable voltage is applied.

6.6 LM2852Y Typical Characteristics (500 kHz)

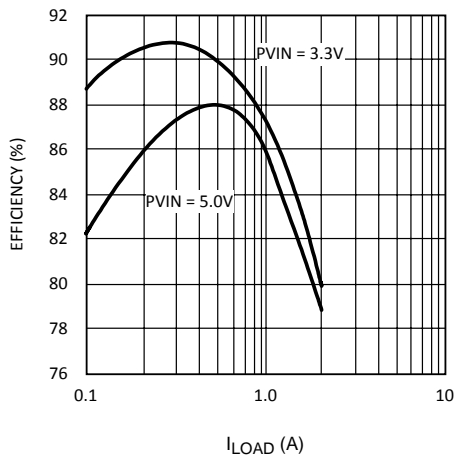


Figure 2. Efficiency vs  $I_{Load}$   $V_{OUT} = 1.5 V$

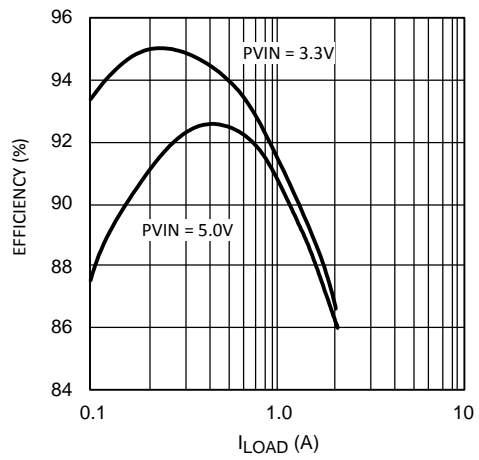


Figure 3. Efficiency vs  $I_{Load}$   $V_{OUT} = 2.5 V$

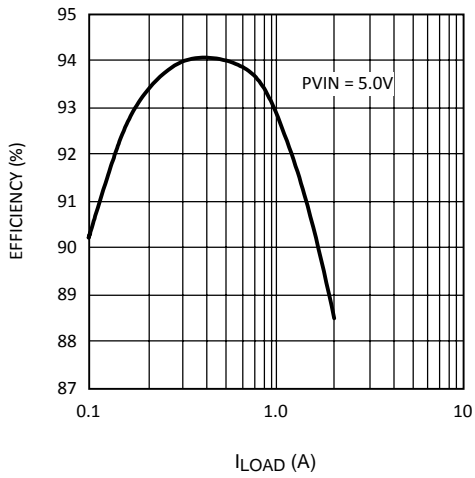


Figure 4. Efficiency vs  $I_{Load}$   $V_{OUT} = 3.3 V$

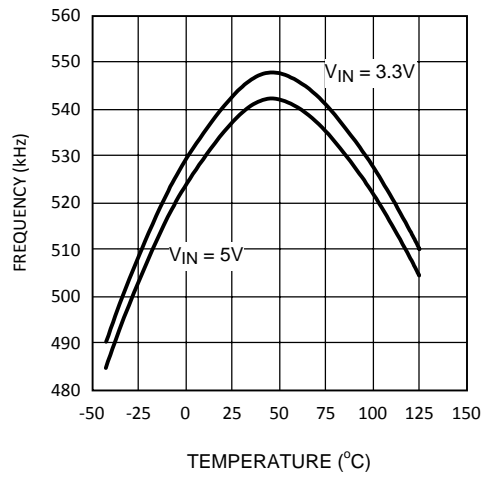
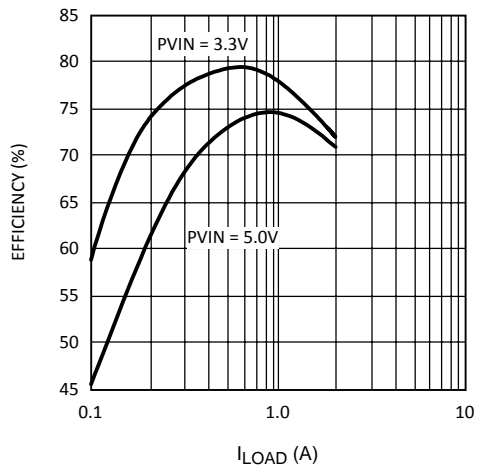
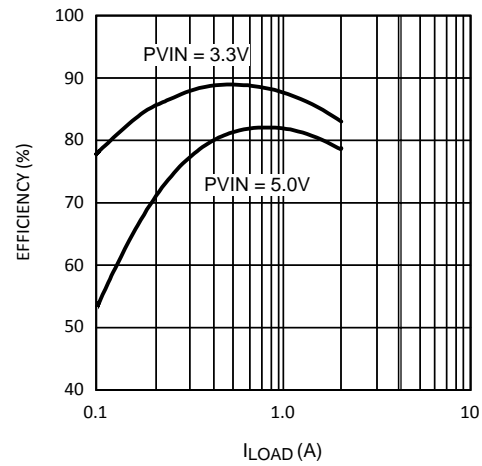
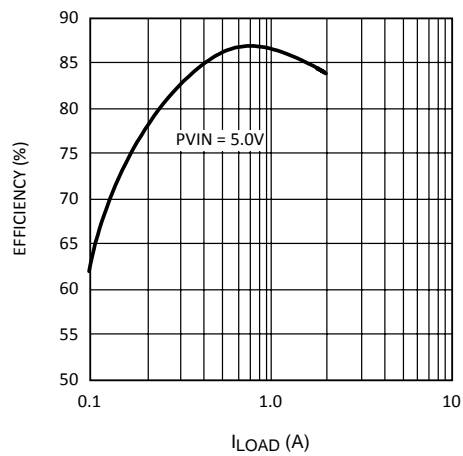
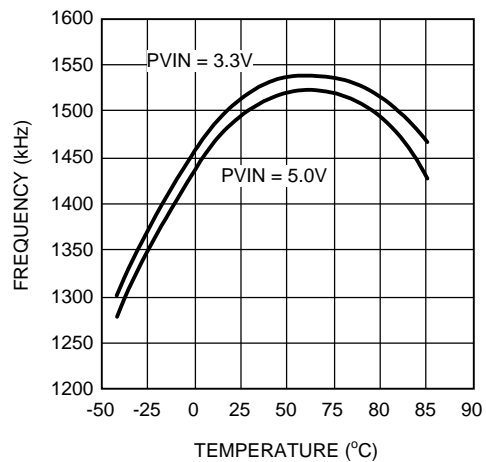


Figure 5. Frequency vs Temperature

**LM2852**

SNVS325E – JANUARY 2005 – REVISED JANUARY 2016

www.ti.com

**6.7 LM2852X Typical Characteristics (1500 kHz)****Figure 6. Efficiency vs  $I_{Load}$   $V_{OUT} = 1.5 V$** **Figure 7. Efficiency vs  $I_{Load}$   $V_{OUT} = 2.5 V$** **Figure 8. Efficiency vs  $I_{Load}$   $V_{OUT} = 3.3 V$** **Figure 9. Frequency vs Temperature**

## 6.8 LM2852 Typical Characteristics (Both Y and X Versions)

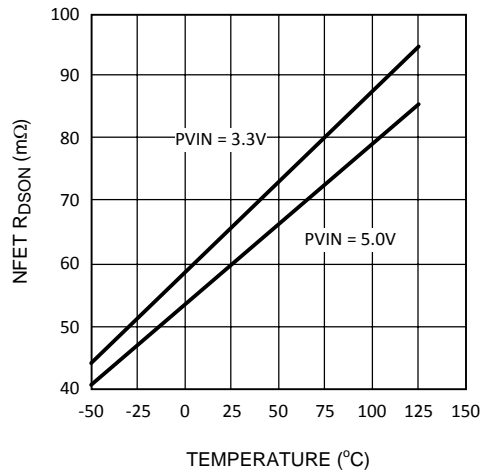


Figure 10. NMOS Switch  $R_{DS(on)}$  vs Temperature

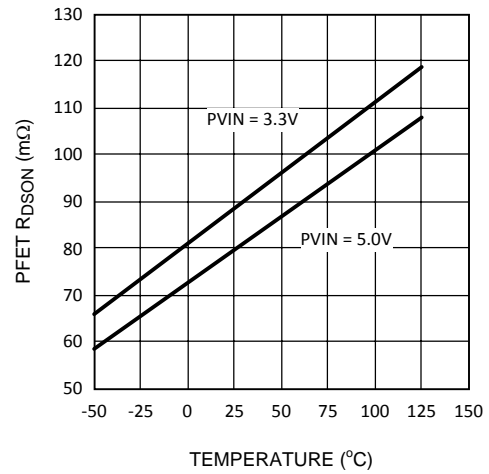


Figure 11. PMOS Switch  $R_{DS(on)}$  vs Temperature

## LM2852

SNVS325E –JANUARY 2005–REVISED JANUARY 2016

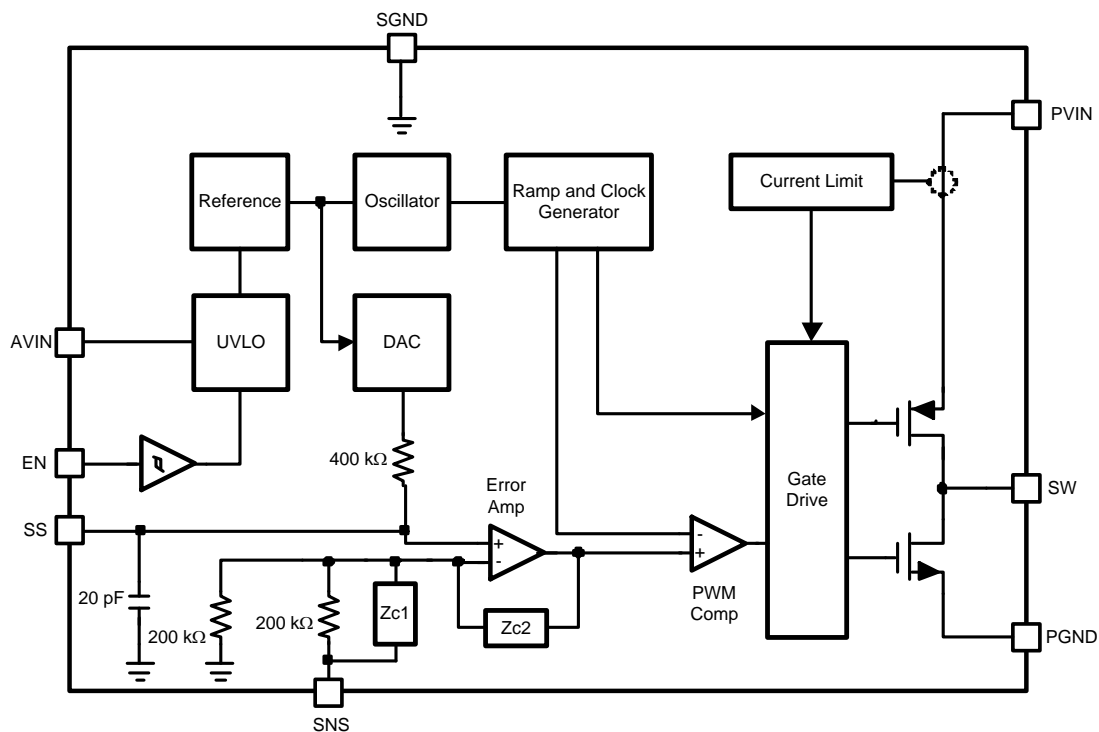
www.ti.com

## 7 Detailed Description

### 7.1 Overview

The LM2852 is a DC-DC synchronous buck regulator. Integration of the PWM controller, power switches and compensation network greatly reduces the component count required to implement a switching power supply.

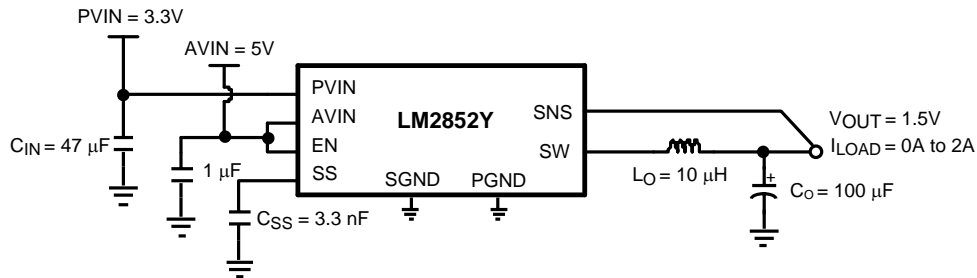
### 7.2 Functional Block Diagram



## 7.3 Feature Description

### 7.3.1 Split-Rail Operation

The LM2852 can be powered using two separate voltages for AVIN and PVIN. AVIN is the supply for the control logic; PVIN is the supply for the power FETs. The output filter components need to be chosen based on the value of PVIN. For PVIN levels lower than 3.3 V, use output filter component values recommended for 3.3 V. PVIN must always be equal to or less than AVIN.



**Figure 12. Split-Rail Operation**

### 7.3.2 Switch Node Protection

The LM2852 includes protection circuitry that monitors the voltage on the switch pin. Under certain conditions, switching is disabled in order to protect the switching devices. One result of the protection circuitry may be observed when power to the LM2852 is applied with no or light load on the output. The output regulates to the rated voltage, but no switching may be observed. As soon as the output is loaded, the LM2852 begins normal switching operation.

## 7.4 Device Functional Modes

The LM2852 Enable pin is internally pulled up so that the part is enabled anytime the input voltage exceeds the UVLO threshold. A pulldown resistor can be used to set the enable input to low.

**LM2852**

SNVS325E –JANUARY 2005–REVISED JANUARY 2016

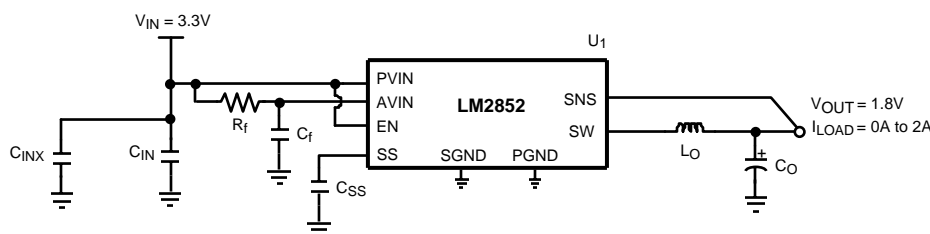
www.ti.com

**8 Application and Implementation****NOTE**

Information in the following applications sections is not part of the TI component specification, and TI does not warrant its accuracy or completeness. TI's customers are responsible for determining suitability of components for their purposes. Customers must validate and test their design implementation to confirm system functionality.

**8.1 Application Information**

The LM2852 is a DC-DC synchronous buck regulator capable of driving a maximum load current of 2A, with an input range of 2.85 V to 5.5 V and a variable output range of 0.8 V to 3.3 V. [Figure 13](#) is a schematic example of a typical application.

**8.2 Typical Application****Figure 13. LM2852 Example Circuit Schematic****8.2.1 Design Requirements**

A typical application requires only four components: an input capacitor, a soft-start capacitor, an output filter capacitor and an output filter inductor. To properly size the components for the application, the designer needs the following parameters: input voltage range, output voltage, output current range, and required switching frequency. These four main parameters affect the choices of component available to achieve a proper system behavior.

**8.2.2 Detailed Design Procedure****8.2.2.1 Input Capacitor ( $C_{IN}$ )**

Fast switching of large currents in the buck converter places a heavy demand on the voltage source supplying PVIN. The input capacitor,  $C_{IN}$ , supplies extra charge when the switcher needs to draw a burst of current from the supply. The RMS current rating and the voltage rating of the  $C_{IN}$  capacitor are therefore important in the selection of  $C_{IN}$ . The RMS current specification can be approximated by [Equation 1](#):

$$I_{RMS} = I_{LOAD} \sqrt{D(1-D)}$$

where

- $D$  is the duty cycle,  $V_{OUT}/V_{IN}$ .  $C_{IN}$  also provides filtering of the supply. (1)

Trace resistance and inductance degrade the benefits of the input capacitor, so  $C_{IN}$  must be placed very close to PVIN in the layout. A 22- $\mu$ F or 47- $\mu$ F ceramic capacitor is typically sufficient for  $C_{IN}$ . In parallel with the large input capacitance a smaller capacitor may be added such as a 1- $\mu$ F ceramic for higher frequency filtering.

## Typical Application (continued)

### 8.2.2.2 Soft-Start Capacitor ( $C_{SS}$ )

The DAC that sets the reference voltage of the error amp sources a current through a resistor to set the reference voltage. The reference voltage is one half of the output voltage of the switcher due to the 200 k $\Omega$  divider connected to the SNS pin. Upon start-up, the output voltage of the switcher tracks the reference voltage with a two to one ratio as the DAC current charges the capacitance connected to the reference voltage node. Internal capacitance of 20 pF is permanently attached to the reference voltage node which is also connected to the soft-start pin, SS. Adding a soft-start capacitor externally increases the time it takes for the output voltage to reach its final level.

The charging time required for the reference voltage can be estimated using the RC time constant of the DAC resistor and the capacitance connected to the SS pin. Three RC time constant periods are needed for the reference voltage to reach 95% of its final value. The actual start-up time varies with differences in the DAC resistance and higher-order effects.

If little or no soft-start capacitance is connected, then the start-up time may be determined by the time required for the current limit current to charge the output filter capacitance. The capacitor charging equation  $I = C \Delta V / \Delta t$  can be used to estimate the start-up time in this case. For example, a part with a 3-V output, a 100- $\mu$ F output capacitance and a 3-A current limit threshold would require a time of 100  $\mu$ s, seen in [Equation 2](#):

$$\Delta t = C \frac{\Delta V}{I} = 100 \mu\text{F} \frac{3\text{V}}{3\text{A}} = 100 \mu\text{s} \quad (2)$$

Since it is undesirable for the power supply to start up in current limit, a soft-start capacitor must be chosen to force the LM2852 to start up in a more controlled fashion based on the charging of the soft-start capacitance. In this example, suppose a 3 ms start time is desired. Three time constants are required for charging the soft-start capacitor to 95% of the final reference voltage. So in this case  $RC = 1$  ms. The DAC resistor, R, is 400 k $\Omega$  so C can be calculated to be 2.5 nF. A 2.7-nF ceramic capacitor can be chosen to yield approximately a 3 ms start-up time.

### 8.2.2.3 Soft-Start Capacitor ( $C_{SS}$ ) and Fault Conditions

Various fault conditions such as short circuit and UVLO of the LM2852 activate internal circuitry designed to control the voltage on the soft-start capacitor. For example, during a short circuit current limit event, the output voltage typically falls to a low voltage. During this time, the soft-start voltage is forced to track the output so that once the short is removed, the LM2852 can restart gracefully from whatever voltage the output reached during the short circuit event. The range of soft-start capacitors is therefore restricted to values 1 nF to 50 nF.

### 8.2.2.4 Compensation

The LM2852 provides a highly integrated solution to power supply design. The compensation of the LM2852, which is type-three, is included on-chip. The benefit to integrated compensation is straightforward, simple power supply design. Since the output filter capacitor and inductor values impact the compensation of the control loop, the range of L, C and  $C_{ESR}$  values is restricted in order to ensure stability.

**LM2852**

SNVS325E –JANUARY 2005–REVISED JANUARY 2016

[www.ti.com](http://www.ti.com)**Typical Application (continued)****8.2.2.5 Output Filter Values**

Table 1 details the recommended inductor and capacitor ranges for the LM2852 that are suggested for various typical output voltages. Values slightly different than those recommended may be used, however the phase margin of the power supply may be degraded.

**Table 1. Output Filter Values**

FREQUENCY OPTION	V <sub>OUT</sub> (V)	P <sub>VIN</sub> (V)	L (μH)		C (μF)		C <sub>ESR</sub> (mΩ)	
			MIN	MAX	MIN	MAX	MIN	MAX
LM2852Y (500 kHz)	0.8	3.3	10	15	100	220	70	200
	0.8	5	10	15	100	120	70	200
	1	3.3	10	15	100	180	70	200
	1	5	10	15	100	180	70	200
	1.2	3.3	10	15	100	180	70	200
	1.2	5	15	22	100	120	70	200
	1.5	3.3	10	15	100	120	70	200
	1.5	5	22	22	100	120	70	200
	1.8	3.3	10	15	100	120	100	200
	1.8	5	22	33	100	120	100	200
	2.5	3.3	6.8	10	68	120	95	275
	2.5	5	15	22	68	120	95	275
	3.3	5	15	22	68	100	100	275
LM2852X (1500 kHz)	0.8	3.3	1		10		The 1500-kHz version is designed for ceramic output capacitors, which typically have very low ESR (< 10 mΩ.)	
	0.8	5						
	1	3.3						
	1	5						
	1.2	3.3						
	1.2	5						
	1.5	3.3						
	1.5	5						
	1.8	3.3						
	1.8	5						
	2.5	3.3						
	2.5	5						
	3.3	5						

### 8.2.2.6 Choosing an Inductance Value

The current ripple present in the output filter inductor is determined by the input voltage, output voltage, switching frequency and inductance according to [Equation 3](#):

$$\Delta I_L = \frac{D \times (V_{IN} - V_{OUT})}{f \times L}$$

where

- $\Delta I_L$  is the peak-to-peak current ripple.
  - D is the duty cycle  $V_{OUT}/V_{IN}$ .
  - $V_{IN}$  is the input voltage applied to the PVIN pin.
  - $V_{OUT}$  is the output voltage of the switcher.
  - f is the switching frequency.
  - L is the inductance of the output filter inductor.
- (3)

Knowing the current ripple is important for inductor selection since the peak current through the inductor is the load current plus one half the ripple current. Care must be taken to ensure the peak inductor current does not reach a level high enough to trip the current limit circuitry of the LM2852.

As an example, consider a 5-V to 1.2-V conversion and a 500-kHz switching frequency. According to [Table 1](#), a 15- $\mu$ H inductor may be used. Calculating the expected peak-to-peak ripple, as seen in [Equation 4](#).

$$\Delta I_L = \frac{\frac{1.2V}{5V} \times (5V - 1.2V)}{500 \text{ kHz} \times 15 \mu\text{H}} = 121.6 \text{ mA}$$

(4)

The maximum inductor current for a 2-A load would therefore be 2 A plus 60.8 mA, 2.0608 A. As shown in the ripple equation, the current ripple is inversely proportional to inductance.

### 8.2.2.7 Output Filter Inductors

Once the inductance value is chosen, the key parameter for selecting the output filter inductor is its saturation current ( $I_{sat}$ ) specification. Typically  $I_{sat}$  is given by the manufacturer as the current at which the inductance of the coil falls to a certain percentage of the nominal inductance. The  $I_{sat}$  of an inductor used in an application must be greater than the maximum expected inductor current to avoid saturation. [Table 2](#) lists the inductors that may be suitable in LM2852 applications.

**Table 2. LM2852 Output Filter Inductors**

INDUCTANCE ( $\mu$ H)	PART NUMBER	VENDOR
1	DO1608C-102	Coilcraft
1	DO1813P-102HC	Coilcraft
6.8	DO3316P-682	Coilcraft
7	MSS1038-702NBC	Coilcraft
10	DO3316P-103	Coilcraft
10	MSS1038-103NBC	Coilcraft
12	MSS1038-123NBC	Coilcraft
15	D03316P-153	Coilcraft
15	MSS1038-153NBC	Coilcraft
18	MSS1038-183NBC	Coilcraft
22	DO3316P-223	Coilcraft
22	MSS1038-223NBC	Coilcraft
22	DO3340P-223	Coilcraft
27	MSS1038-273NBC	Coilcraft
33	MSS1038-333NBC	Coilcraft
33	DO3340P-333	Coilcraft

**LM2852**

SNVS325E – JANUARY 2005 – REVISED JANUARY 2016

[www.ti.com](http://www.ti.com)**8.2.2.8 Output Filter Capacitors**

The capacitors that may be used in the output filter with the LM2852 are limited in value and ESR range according to [Table 1](#). [Table 3](#) lists some examples of capacitors that can typically be used in an LM2852 application.

**Table 3. LM2852 Output Filter Capacitors**

CAPACITANCE ( $\mu\text{F}$ )	PART NUMBER	CHEMISTRY	VENDOR
10	GRM31MR61A106KE19	Ceramic	Murata
10	GRM32DR61E106K	Ceramic	Murata
68	595D686X_010C2T	Tantalum	Vishay - Sprague
68	595D686X_016D2T	Tantalum	Vishay - Sprague
100	595D107X_6R3C2T	Tantalum	Vishay - Sprague
100	595D107X_016D2T	Tantalum	Vishay - Sprague
100	NOSC107M004R0150	Niobium Oxide	AVX
100	NOSD107M006R0100	Niobium Oxide	AVX
120	595D127X_004C2T	Tantalum	Vishay - Sprague
120	595D127X_010D2T	Tantalum	Vishay - Sprague
150	595D157X_004C2T	Tantalum	Vishay - Sprague
150	595D157X_016D2T	Tantalum	Vishay - Sprague
150	NOSC157M004R0150	Niobium Oxide	AVX
150	NOSD157M006R0100	Niobium Oxide	AVX
220	595D227X_004D2T	Tantalum	Vishay - Sprague
220	NOSD227M004R0100	Niobium Oxide	AVX
220	NOSE227M006R0100	Niobium Oxide	AVX

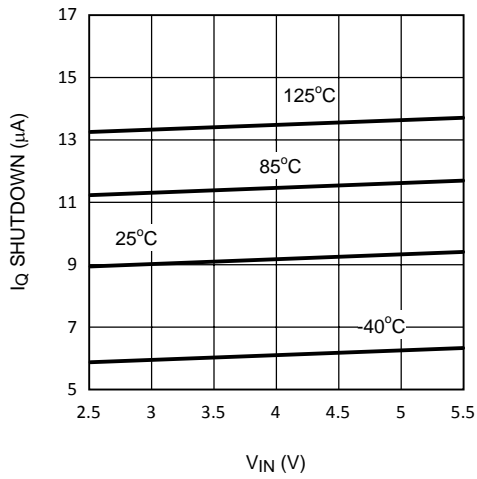
**Table 4. Bill of Materials for 500kHz (LM2852Y) 3.3 V<sub>IN</sub> to 1.8 V<sub>OUT</sub> Conversion**

ID	PART NUMBER	TYPE	SIZE	PARAMETERS	QTY	VENDOR
U <sub>1</sub>	LM2852YMXA-1.8	2-A buck	HTSSOP-14		1	TI
L <sub>0</sub>	DO3316P-153	Inductor		15 $\mu\text{H}$	1	Coilcraft
C <sub>O</sub> *	595D107X_6R3C2T	Capacitor	Case Code "C"	100 $\mu\text{F}$ $\pm 20\%$	1	Vishay-Sprague
C <sub>IN</sub>	GRM32ER60J476ME20B	Capacitor	1210	47 $\mu\text{F}/\text{X5R}/6.3\text{V}$	1	Murata
C <sub>INX</sub>	GRM21BR71C105KA01B	Capacitor	0805	1 $\mu\text{F}/\text{X7R}/16\text{V}$	1	Murata
C <sub>SS</sub>	VJ0805Y272KXXA	Capacitor	0805	2.7 nF $\pm 10\%$	1	Vishay-Vitramon
R <sub>f</sub>	CRCW060310R0F	Resistor	0603	10 $\Omega$ $\pm 10\%$	1	Vishay-Dale
C <sub>f</sub>	GRM21BR71C105KA01B	Capacitor	0805	1 $\mu\text{F}/\text{X7R}/16\text{V}$	1	Murata

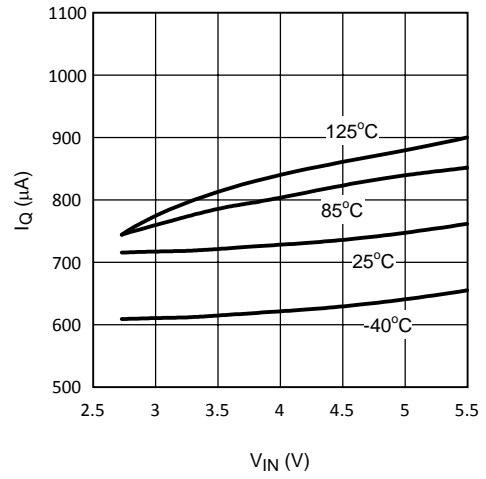
**Table 5. Bill of Materials for 1500-kHz (LM2852X) 3.3-V to 1.8-V Conversion**

ID	PART NUMBER	TYPE	SIZE	PARAMETERS	QTY	VENDOR
U <sub>1</sub>	LM2852XMXA-1.8	2-A buck	HTSSOP-14		1	TI
L <sub>0</sub>	DO1813P-102HC	Inductor		1 $\mu\text{H}$	1	Coilcraft
C <sub>0</sub>	GRM32DR61E106K	Capacitor	1210	10 $\mu\text{F}/\text{X5R}/25\text{V}$	1	Murata
C <sub>IN</sub>	GRM32ER60J476ME20B	Capacitor	1210	47 $\mu\text{F}/\text{X5R}/6.3\text{V}$	1	Murata
C <sub>INX</sub>	GRM21BR71C105KA01B	Capacitor	0805	1 $\mu\text{F}/\text{X7R}/16\text{V}$	1	Murata
C <sub>SS</sub>	VJ0805Y272KXXA	Capacitor	0805	2.7 nF $\pm 10\%$	1	Vishay-Vitramon
R <sub>f</sub>	CRCW060310R0F	Resistor	0603	10 $\Omega$ $\pm 10\%$	1	Vishay-Dale
C <sub>f</sub>	GRM21BR71C105KA01B	Capacitor	0805	1 $\mu\text{F}/\text{X7R}/16\text{V}$	1	Murata

**8.2.3 Application Curves**



**Figure 14. Shutdown Current vs V<sub>IN</sub>**



**Figure 15. Quiescent Current (Non-Switching) vs V<sub>IN</sub>**

## LM2852

SNVS325E –JANUARY 2005–REVISED JANUARY 2016

www.ti.com

## 9 Power Supply Recommendations

The LM2852 is designed to operate from various DC power supplies. If so, VIN input must be protected from reversal voltage and voltage dump over 6.5 V. The impedance of the input supply rail must be low enough that the input current transient does not cause drop below VIN UVLO level. If the input supply is connected by using long wires, additional bulk capacitance may be required in addition to normal input capacitor.

## 10 Layout

### 10.1 Layout Guidelines

These are several guidelines to follow while designing the PCB layout for an LM2852 application.

- The input bulk capacitor,  $C_{IN}$ , must be placed very close to the PVIN pin to keep the resistance as low as possible between the capacitor and the pin. High-current levels are present in this connection
- All ground connections must be tied together. Use a broad ground plane, for example a completely filled back plane, to establish the lowest resistance possible between all ground connections
- The sense pin connection must be made as close to the load as possible so that the voltage at the load is the expected regulated value. The sense line must not run too close to nodes with high EMI (such as the switch node) to minimize interference
- The switch node connections must be low resistance to reduce power losses. Low resistance means the trace between the switch pin and the inductor must be wide. However, the area of the switch node must not be too large since EMI increases with greater area. So connect the inductor to the switch pin with a short, but wide trace. Other high current connections in the application such as PVIN and  $V_{OUT}$  assume the same trade off between low resistance and EMI
- Allow area under the chip to solder the entire exposed die attach pad to ground for improved thermal and electrical performance

### 10.2 Layout Example

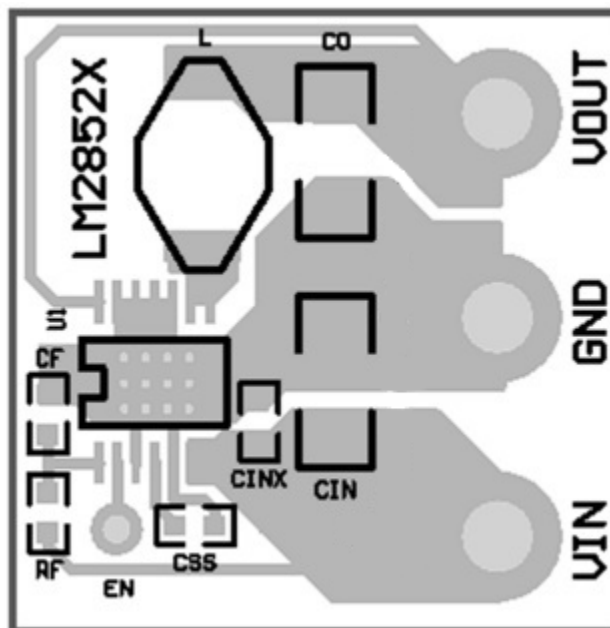


Figure 16. PCB Layout Example

## 11 Device and Documentation Support

### 11.1 Device Support

#### 11.1.1 Third-Party Products Disclaimer

TI'S PUBLICATION OF INFORMATION REGARDING THIRD-PARTY PRODUCTS OR SERVICES DOES NOT CONSTITUTE AN ENDORSEMENT REGARDING THE SUITABILITY OF SUCH PRODUCTS OR SERVICES OR A WARRANTY, REPRESENTATION OR ENDORSEMENT OF SUCH PRODUCTS OR SERVICES, EITHER ALONE OR IN COMBINATION WITH ANY TI PRODUCT OR SERVICE.

### 11.2 Community Resources

The following links connect to TI community resources. Linked contents are provided "AS IS" by the respective contributors. They do not constitute TI specifications and do not necessarily reflect TI's views; see TI's [Terms of Use](#).

**TI E2E™ Online Community** *TI's Engineer-to-Engineer (E2E) Community*. Created to foster collaboration among engineers. At [e2e.ti.com](http://e2e.ti.com), you can ask questions, share knowledge, explore ideas and help solve problems with fellow engineers.

**Design Support** *TI's Design Support* Quickly find helpful E2E forums along with design support tools and contact information for technical support.

### 11.3 Trademarks

E2E is a trademark of Texas Instruments.  
All other trademarks are the property of their respective owners.

### 11.4 Electrostatic Discharge Caution



These devices have limited built-in ESD protection. The leads should be shorted together or the device placed in conductive foam during storage or handling to prevent electrostatic damage to the MOS gates.

### 11.5 Glossary

[SLYZ022](#) — *TI Glossary*.

This glossary lists and explains terms, acronyms, and definitions.

## 12 Mechanical, Packaging, and Orderable Information

The following pages include mechanical, packaging, and orderable information. This information is the most current data available for the designated devices. This data is subject to change without notice and revision of this document. For browser-based versions of this data sheet, refer to the left-hand navigation.

**PACKAGING INFORMATION**

Orderable part number	Status (1)	Material type (2)	Package   Pins	Package qty   Carrier	RoHS (3)	Lead finish/ Ball material (4)	MSL rating/ Peak reflow (5)	Op temp (°C)	Part marking (6)
LM2852XMXA-1.0/NO.A	Active	Production	HTSSOP (PWP)   14	94   TUBE	Yes	SN	Level-1-260C-UNLIM	-40 to 125	2852X 1.0
<a href="#">LM2852XMXA-1.0/NOPB</a>	Active	Production	HTSSOP (PWP)   14	94   TUBE	Yes	SN	Level-1-260C-UNLIM	-40 to 125	2852X 1.0
LM2852XMXA-1.2/NO.A	Active	Production	HTSSOP (PWP)   14	94   TUBE	Yes	SN	Level-1-260C-UNLIM	-40 to 125	2852X 1.2
<a href="#">LM2852XMXA-1.2/NOPB</a>	Active	Production	HTSSOP (PWP)   14	94   TUBE	Yes	SN	Level-1-260C-UNLIM	-40 to 125	2852X 1.2
LM2852XMXA-1.5/NO.A	Active	Production	HTSSOP (PWP)   14	94   TUBE	Yes	SN	Level-1-260C-UNLIM	-40 to 125	2852X 1.5
<a href="#">LM2852XMXA-1.5/NOPB</a>	Active	Production	HTSSOP (PWP)   14	94   TUBE	Yes	SN	Level-1-260C-UNLIM	-40 to 125	2852X 1.5
LM2852XMXA-1.8/NO.A	Active	Production	HTSSOP (PWP)   14	94   TUBE	Yes	SN	Level-1-260C-UNLIM	-40 to 125	2852X 1.8
<a href="#">LM2852XMXA-1.8/NOPB</a>	Active	Production	HTSSOP (PWP)   14	94   TUBE	Yes	SN	Level-1-260C-UNLIM	-40 to 125	2852X 1.8
LM2852XMXA-2.5/NO.A	Active	Production	HTSSOP (PWP)   14	94   TUBE	Yes	SN	Level-1-260C-UNLIM	-40 to 125	2852X 2.5
<a href="#">LM2852XMXA-2.5/NOPB</a>	Active	Production	HTSSOP (PWP)   14	94   TUBE	Yes	SN	Level-1-260C-UNLIM	-40 to 125	2852X 2.5
LM2852XMXA-3.3/NO.A	Active	Production	HTSSOP (PWP)   14	94   TUBE	Yes	SN	Level-1-260C-UNLIM	-40 to 125	2852X 3.3
<a href="#">LM2852XMXA-3.3/NOPB</a>	Active	Production	HTSSOP (PWP)   14	94   TUBE	Yes	SN	Level-1-260C-UNLIM	-40 to 125	2852X 3.3
LM2852XMXAX-1.2/NO.A	Active	Production	HTSSOP (PWP)   14	2500   LARGE T&R	Yes	SN	Level-1-260C-UNLIM	-40 to 125	2852X 1.2
<a href="#">LM2852XMXAX-1.2/NOPB</a>	Active	Production	HTSSOP (PWP)   14	2500   LARGE T&R	Yes	SN	Level-1-260C-UNLIM	-40 to 125	2852X 1.2
LM2852XMXAX-1.5/NO.A	Active	Production	HTSSOP (PWP)   14	2500   LARGE T&R	Yes	SN	Level-1-260C-UNLIM	-40 to 125	2852X 1.5
<a href="#">LM2852XMXAX-1.5/NOPB</a>	Active	Production	HTSSOP (PWP)   14	2500   LARGE T&R	Yes	SN	Level-1-260C-UNLIM	-40 to 125	2852X 1.5

Orderable part number	Status (1)	Material type (2)	Package   Pins	Package qty   Carrier	RoHS (3)	Lead finish/ Ball material (4)	MSL rating/ Peak reflow (5)	Op temp (°C)	Part marking (6)
LM2852XMXX-1.8/NO.A	Active	Production	HTSSOP (PWP)   14	2500   LARGE T&R	Yes	SN	Level-1-260C-UNLIM	-40 to 125	2852X 1.8
<a href="#">LM2852XMXX-1.8/NOPB</a>	Active	Production	HTSSOP (PWP)   14	2500   LARGE T&R	Yes	SN	Level-1-260C-UNLIM	-40 to 125	2852X 1.8
LM2852XMXX-2.5/NO.A	Active	Production	HTSSOP (PWP)   14	2500   LARGE T&R	Yes	SN	Level-1-260C-UNLIM	-40 to 125	2852X 2.5
<a href="#">LM2852XMXX-2.5/NOPB</a>	Active	Production	HTSSOP (PWP)   14	2500   LARGE T&R	Yes	SN	Level-1-260C-UNLIM	-40 to 125	2852X 2.5
LM2852XMXX-3.3/NO.A	Active	Production	HTSSOP (PWP)   14	2500   LARGE T&R	Yes	SN	Level-1-260C-UNLIM	-40 to 125	2852X 3.3
<a href="#">LM2852XMXX-3.3/NOPB</a>	Active	Production	HTSSOP (PWP)   14	2500   LARGE T&R	Yes	SN	Level-1-260C-UNLIM	-40 to 125	2852X 3.3
LM2852YMXA-1.0/NO.A	Active	Production	HTSSOP (PWP)   14	94   TUBE	Yes	SN	Level-1-260C-UNLIM	-40 to 125	2852Y -1.0
<a href="#">LM2852YMXA-1.0/NOPB</a>	Active	Production	HTSSOP (PWP)   14	94   TUBE	Yes	SN	Level-1-260C-UNLIM	-40 to 125	2852Y -1.0
LM2852YMXA-1.2/NO.A	Active	Production	HTSSOP (PWP)   14	94   TUBE	Yes	SN	Level-1-260C-UNLIM	-40 to 125	2852Y -1.2
<a href="#">LM2852YMXA-1.2/NOPB</a>	Active	Production	HTSSOP (PWP)   14	94   TUBE	Yes	SN	Level-1-260C-UNLIM	-40 to 125	2852Y -1.2
LM2852YMXA-1.3/NO.A	Active	Production	HTSSOP (PWP)   14	94   TUBE	Yes	SN	Level-1-260C-UNLIM	-40 to 125	2852Y 1.3
<a href="#">LM2852YMXA-1.3/NOPB</a>	Active	Production	HTSSOP (PWP)   14	94   TUBE	Yes	SN	Level-1-260C-UNLIM	-	2852Y 1.3
LM2852YMXA-1.5/NO.A	Active	Production	HTSSOP (PWP)   14	94   TUBE	Yes	SN	Level-1-260C-UNLIM	-40 to 125	2852Y -1.5
<a href="#">LM2852YMXA-1.5/NOPB</a>	Active	Production	HTSSOP (PWP)   14	94   TUBE	Yes	SN	Level-1-260C-UNLIM	-40 to 125	2852Y -1.5
LM2852YMXA-1.8/NO.A	Active	Production	HTSSOP (PWP)   14	94   TUBE	Yes	SN	Level-1-260C-UNLIM	-40 to 125	2852Y -1.8
<a href="#">LM2852YMXA-1.8/NOPB</a>	Active	Production	HTSSOP (PWP)   14	94   TUBE	Yes	SN	Level-1-260C-UNLIM	-40 to 125	2852Y -1.8
LM2852YMXA-2.5/NO.A	Active	Production	HTSSOP (PWP)   14	94   TUBE	Yes	SN	Level-1-260C-UNLIM	-40 to 125	2852Y -2.5

Orderable part number	Status (1)	Material type (2)	Package   Pins	Package qty   Carrier	RoHS (3)	Lead finish/ Ball material (4)	MSL rating/ Peak reflow (5)	Op temp (°C)	Part marking (6)
<a href="#">LM2852YMXA-2.5/NOPB</a>	Active	Production	HTSSOP (PWP)   14	94   TUBE	Yes	SN	Level-1-260C-UNLIM	-40 to 125	2852Y -2.5
LM2852YMXA-3.3/NO.A	Active	Production	HTSSOP (PWP)   14	94   TUBE	Yes	SN	Level-1-260C-UNLIM	-40 to 125	2852Y -3.3
<a href="#">LM2852YMXA-3.3/NOPB</a>	Active	Production	HTSSOP (PWP)   14	94   TUBE	Yes	SN	Level-1-260C-UNLIM	-40 to 125	2852Y -3.3
LM2852YMXAX-1.0/NO.A	Active	Production	HTSSOP (PWP)   14	2500   LARGE T&R	Yes	SN	Level-1-260C-UNLIM	-40 to 125	2852Y -1.0
<a href="#">LM2852YMXAX-1.0/NOPB</a>	Active	Production	HTSSOP (PWP)   14	2500   LARGE T&R	Yes	SN	Level-1-260C-UNLIM	-40 to 125	2852Y -1.0
LM2852YMXAX-1.2/NO.A	Active	Production	HTSSOP (PWP)   14	2500   LARGE T&R	Yes	SN	Level-1-260C-UNLIM	-40 to 125	2852Y -1.2
<a href="#">LM2852YMXAX-1.2/NOPB</a>	Active	Production	HTSSOP (PWP)   14	2500   LARGE T&R	Yes	SN	Level-1-260C-UNLIM	-40 to 125	2852Y -1.2
LM2852YMXAX-1.5/NO.A	Active	Production	HTSSOP (PWP)   14	2500   LARGE T&R	Yes	SN	Level-1-260C-UNLIM	-40 to 125	2852Y -1.5
<a href="#">LM2852YMXAX-1.5/NOPB</a>	Active	Production	HTSSOP (PWP)   14	2500   LARGE T&R	Yes	SN	Level-1-260C-UNLIM	-40 to 125	2852Y -1.5
LM2852YMXAX-1.8/NO.A	Active	Production	HTSSOP (PWP)   14	2500   LARGE T&R	Yes	SN	Level-1-260C-UNLIM	-40 to 125	2852Y -1.8
<a href="#">LM2852YMXAX-1.8/NOPB</a>	Active	Production	HTSSOP (PWP)   14	2500   LARGE T&R	Yes	SN	Level-1-260C-UNLIM	-40 to 125	2852Y -1.8
LM2852YMXAX-2.5/NO.A	Active	Production	HTSSOP (PWP)   14	2500   LARGE T&R	Yes	SN	Level-1-260C-UNLIM	-40 to 125	2852Y -2.5
<a href="#">LM2852YMXAX-2.5/NOPB</a>	Active	Production	HTSSOP (PWP)   14	2500   LARGE T&R	Yes	SN	Level-1-260C-UNLIM	-40 to 125	2852Y -2.5
LM2852YMXAX-3.3/NO.A	Active	Production	HTSSOP (PWP)   14	2500   LARGE T&R	Yes	SN	Level-1-260C-UNLIM	-40 to 125	2852Y -3.3
<a href="#">LM2852YMXAX-3.3/NOPB</a>	Active	Production	HTSSOP (PWP)   14	2500   LARGE T&R	Yes	SN	Level-1-260C-UNLIM	-40 to 125	2852Y -3.3

(1) **Status:** For more details on status, see our [product life cycle](#).

(2) **Material type:** When designated, preproduction parts are prototypes/experimental devices, and are not yet approved or released for full production. Testing and final process, including without limitation quality assurance, reliability performance testing, and/or process qualification, may not yet be complete, and this item is subject to further changes or possible discontinuation. If available for ordering, purchases will be subject to an additional waiver at checkout, and are intended for early internal evaluation purposes only. These items are sold without warranties of any kind.

(3) **RoHS values:** Yes, No, RoHS Exempt. See the [TI RoHS Statement](#) for additional information and value definition.

(4) **Lead finish/Ball material:** Parts may have multiple material finish options. Finish options are separated by a vertical ruled line. Lead finish/Ball material values may wrap to two lines if the finish value exceeds the maximum column width.

(5) **MSL rating/Peak reflow:** The moisture sensitivity level ratings and peak solder (reflow) temperatures. In the event that a part has multiple moisture sensitivity ratings, only the lowest level per JEDEC standards is shown. Refer to the shipping label for the actual reflow temperature that will be used to mount the part to the printed circuit board.

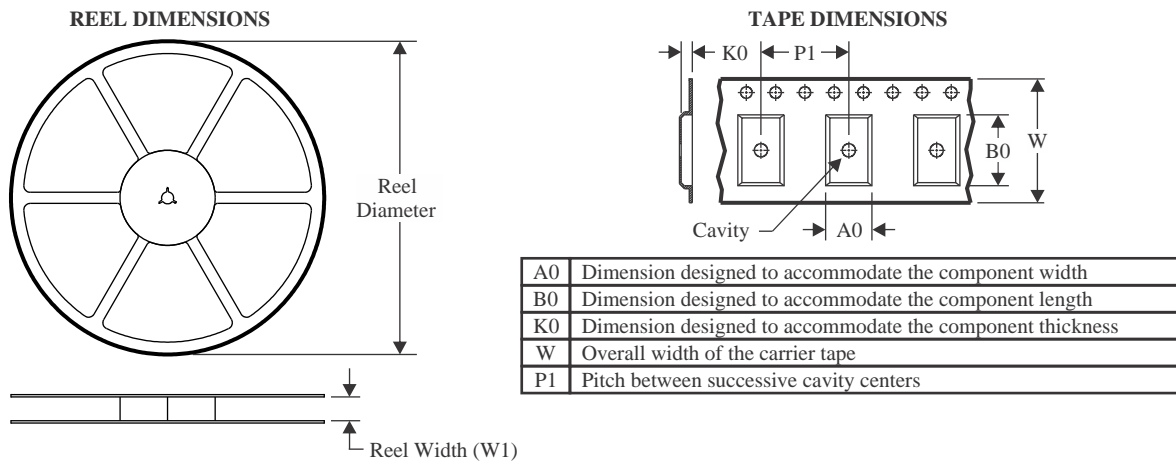
(6) **Part marking:** There may be an additional marking, which relates to the logo, the lot trace code information, or the environmental category of the part.

Multiple part markings will be inside parentheses. Only one part marking contained in parentheses and separated by a "~" will appear on a part. If a line is indented then it is a continuation of the previous line and the two combined represent the entire part marking for that device.

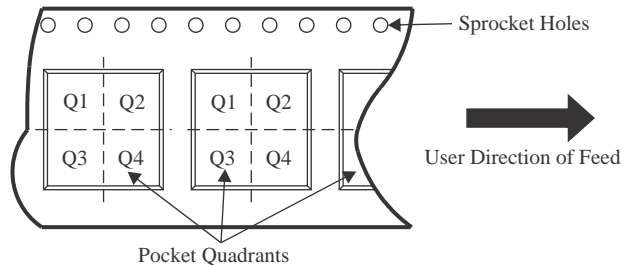
**Important Information and Disclaimer:**The information provided on this page represents TI's knowledge and belief as of the date that it is provided. TI bases its knowledge and belief on information provided by third parties, and makes no representation or warranty as to the accuracy of such information. Efforts are underway to better integrate information from third parties. TI has taken and continues to take reasonable steps to provide representative and accurate information but may not have conducted destructive testing or chemical analysis on incoming materials and chemicals. TI and TI suppliers consider certain information to be proprietary, and thus CAS numbers and other limited information may not be available for release.

In no event shall TI's liability arising out of such information exceed the total purchase price of the TI part(s) at issue in this document sold by TI to Customer on an annual basis.

## TAPE AND REEL INFORMATION



### QUADRANT ASSIGNMENTS FOR PIN 1 ORIENTATION IN TAPE



\*All dimensions are nominal

Device	Package Type	Package Drawing	Pins	SPQ	Reel Diameter (mm)	Reel Width W1 (mm)	A0 (mm)	B0 (mm)	K0 (mm)	P1 (mm)	W (mm)	Pin1 Quadrant
LM2852XMXAX-1.2/ NOPB	HTSSOP	PWP	14	2500	330.0	12.4	6.95	5.6	1.6	8.0	12.0	Q1
LM2852XMXAX-1.5/ NOPB	HTSSOP	PWP	14	2500	330.0	12.4	6.95	5.6	1.6	8.0	12.0	Q1
LM2852XMXAX-1.8/ NOPB	HTSSOP	PWP	14	2500	330.0	12.4	6.95	5.6	1.6	8.0	12.0	Q1
LM2852XMXAX-2.5/ NOPB	HTSSOP	PWP	14	2500	330.0	12.4	6.95	5.6	1.6	8.0	12.0	Q1
LM2852XMXAX-3.3/ NOPB	HTSSOP	PWP	14	2500	330.0	12.4	6.95	5.6	1.6	8.0	12.0	Q1
LM2852YMXAX-1.0/ NOPB	HTSSOP	PWP	14	2500	330.0	12.4	6.95	5.6	1.6	8.0	12.0	Q1
LM2852YMXAX-1.2/ NOPB	HTSSOP	PWP	14	2500	330.0	12.4	6.95	5.6	1.6	8.0	12.0	Q1
LM2852YMXAX-1.5/ NOPB	HTSSOP	PWP	14	2500	330.0	12.4	6.95	5.6	1.6	8.0	12.0	Q1
LM2852YMXAX-1.8/ NOPB	HTSSOP	PWP	14	2500	330.0	12.4	6.95	5.6	1.6	8.0	12.0	Q1



## PACKAGE MATERIALS INFORMATION

www.ti.com

23-May-2025

Device	Package Type	Package Drawing	Pins	SPQ	Reel Diameter (mm)	Reel Width W1 (mm)	A0 (mm)	B0 (mm)	K0 (mm)	P1 (mm)	W (mm)	Pin1 Quadrant
LM2852YMXAX-2.5/ NOPB	HTSSOP	PWP	14	2500	330.0	12.4	6.95	5.6	1.6	8.0	12.0	Q1
LM2852YMXAX-3.3/ NOPB	HTSSOP	PWP	14	2500	330.0	12.4	6.95	5.6	1.6	8.0	12.0	Q1

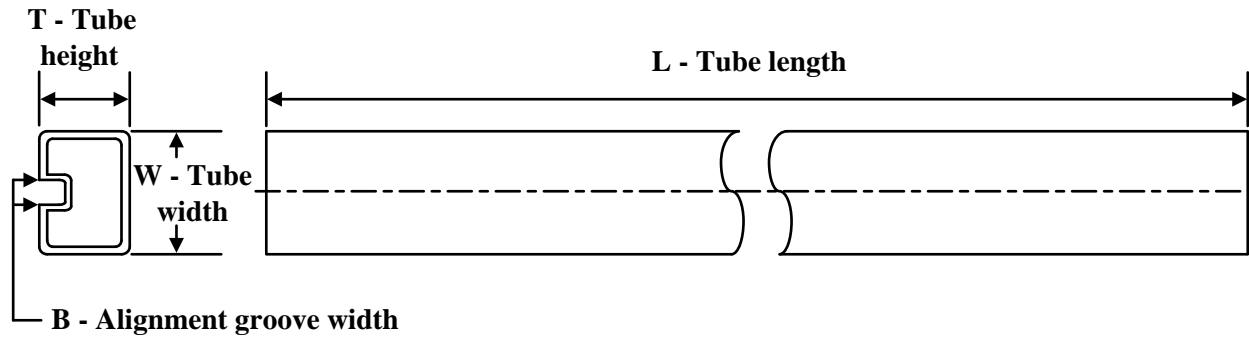
## TAPE AND REEL BOX DIMENSIONS



\*All dimensions are nominal

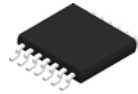
Device	Package Type	Package Drawing	Pins	SPQ	Length (mm)	Width (mm)	Height (mm)
LM2852XMEX-1.2/NOPB	HTSSOP	PWP	14	2500	367.0	367.0	35.0
LM2852XMEX-1.5/NOPB	HTSSOP	PWP	14	2500	367.0	367.0	35.0
LM2852XMEX-1.8/NOPB	HTSSOP	PWP	14	2500	367.0	367.0	35.0
LM2852XMEX-2.5/NOPB	HTSSOP	PWP	14	2500	367.0	367.0	35.0
LM2852XMEX-3.3/NOPB	HTSSOP	PWP	14	2500	367.0	367.0	35.0
LM2852YMXA-1.0/NOPB	HTSSOP	PWP	14	2500	367.0	367.0	35.0
LM2852YMXA-1.2/NOPB	HTSSOP	PWP	14	2500	367.0	367.0	35.0
LM2852YMXA-1.5/NOPB	HTSSOP	PWP	14	2500	367.0	367.0	35.0
LM2852YMXA-1.8/NOPB	HTSSOP	PWP	14	2500	367.0	367.0	35.0
LM2852YMXA-2.5/NOPB	HTSSOP	PWP	14	2500	367.0	367.0	35.0
LM2852YMXA-3.3/NOPB	HTSSOP	PWP	14	2500	367.0	367.0	35.0

## TUBE



\*All dimensions are nominal

Device	Package Name	Package Type	Pins	SPQ	L (mm)	W (mm)	T (µm)	B (mm)
LM2852XMXA-1.0/NO.A	PWP	HTSSOP	14	94	495	8	2514.6	4.06
LM2852XMXA-1.0/NOPB	PWP	HTSSOP	14	94	495	8	2514.6	4.06
LM2852XMXA-1.2/NO.A	PWP	HTSSOP	14	94	495	8	2514.6	4.06
LM2852XMXA-1.2/NOPB	PWP	HTSSOP	14	94	495	8	2514.6	4.06
LM2852XMXA-1.5/NO.A	PWP	HTSSOP	14	94	495	8	2514.6	4.06
LM2852XMXA-1.5/NOPB	PWP	HTSSOP	14	94	495	8	2514.6	4.06
LM2852XMXA-1.8/NO.A	PWP	HTSSOP	14	94	495	8	2514.6	4.06
LM2852XMXA-1.8/NOPB	PWP	HTSSOP	14	94	495	8	2514.6	4.06
LM2852XMXA-2.5/NO.A	PWP	HTSSOP	14	94	495	8	2514.6	4.06
LM2852XMXA-2.5/NOPB	PWP	HTSSOP	14	94	495	8	2514.6	4.06
LM2852XMXA-3.3/NO.A	PWP	HTSSOP	14	94	495	8	2514.6	4.06
LM2852XMXA-3.3/NOPB	PWP	HTSSOP	14	94	495	8	2514.6	4.06
LM2852YMXA-1.0/NO.A	PWP	HTSSOP	14	94	495	8	2514.6	4.06
LM2852YMXA-1.0/NOPB	PWP	HTSSOP	14	94	495	8	2514.6	4.06
LM2852YMXA-1.2/NO.A	PWP	HTSSOP	14	94	495	8	2514.6	4.06
LM2852YMXA-1.2/NOPB	PWP	HTSSOP	14	94	495	8	2514.6	4.06
LM2852YMXA-1.3/NO.A	PWP	HTSSOP	14	94	495	8	2514.6	4.06
LM2852YMXA-1.3/NOPB	PWP	HTSSOP	14	94	495	8	2514.6	4.06
LM2852YMXA-1.5/NO.A	PWP	HTSSOP	14	94	495	8	2514.6	4.06
LM2852YMXA-1.5/NOPB	PWP	HTSSOP	14	94	495	8	2514.6	4.06
LM2852YMXA-1.8/NO.A	PWP	HTSSOP	14	94	495	8	2514.6	4.06
LM2852YMXA-1.8/NOPB	PWP	HTSSOP	14	94	495	8	2514.6	4.06
LM2852YMXA-2.5/NO.A	PWP	HTSSOP	14	94	495	8	2514.6	4.06
LM2852YMXA-2.5/NOPB	PWP	HTSSOP	14	94	495	8	2514.6	4.06
LM2852YMXA-3.3/NO.A	PWP	HTSSOP	14	94	495	8	2514.6	4.06
LM2852YMXA-3.3/NOPB	PWP	HTSSOP	14	94	495	8	2514.6	4.06

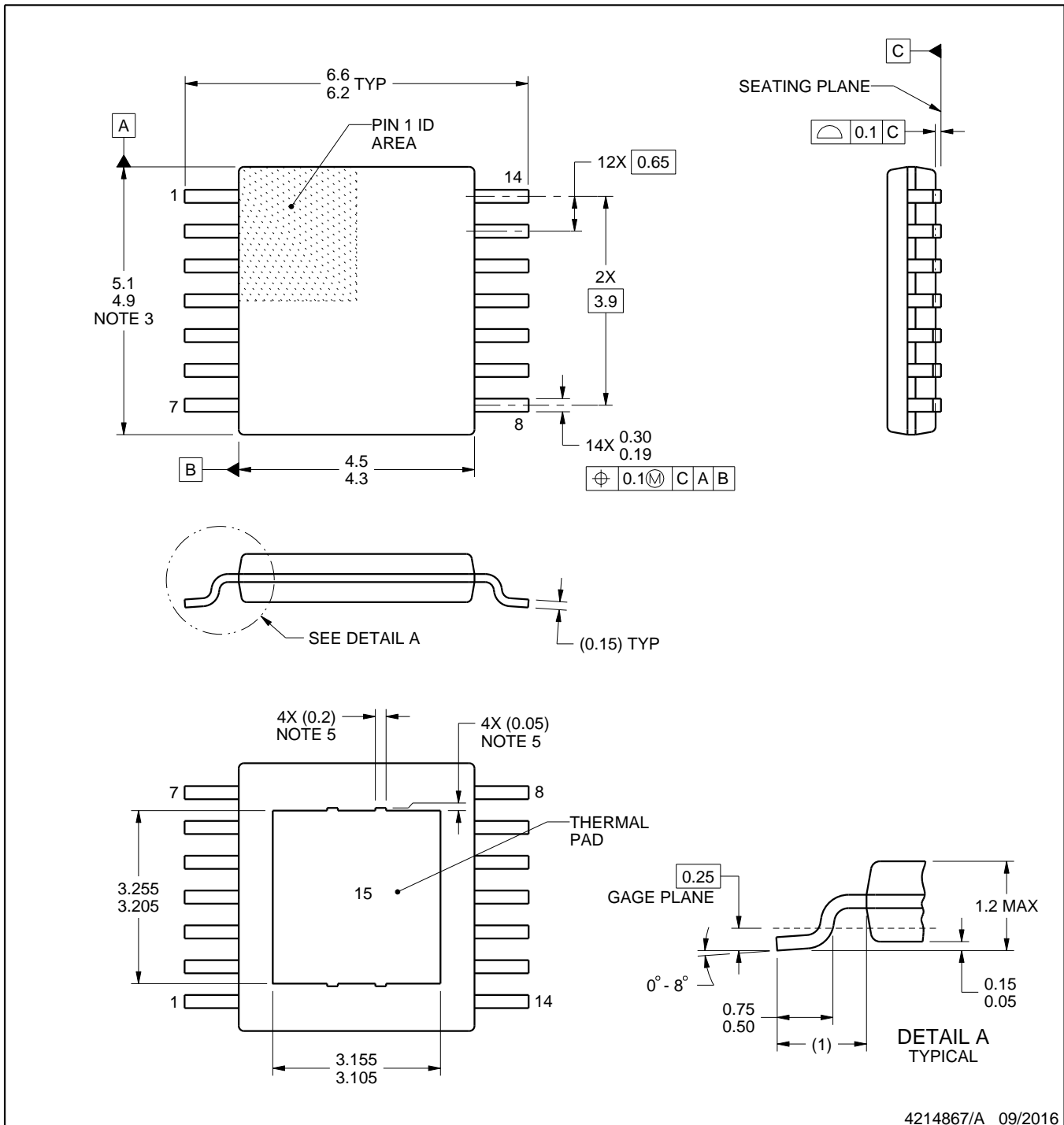


## PACKAGE OUTLINE

PWP0014A

PowerPAD™ TSSOP - 1.2 mm max height

PLASTIC SMALL OUTLINE



4214867/A 09/2016

## NOTES:

PowerPAD is a trademark of Texas Instruments.

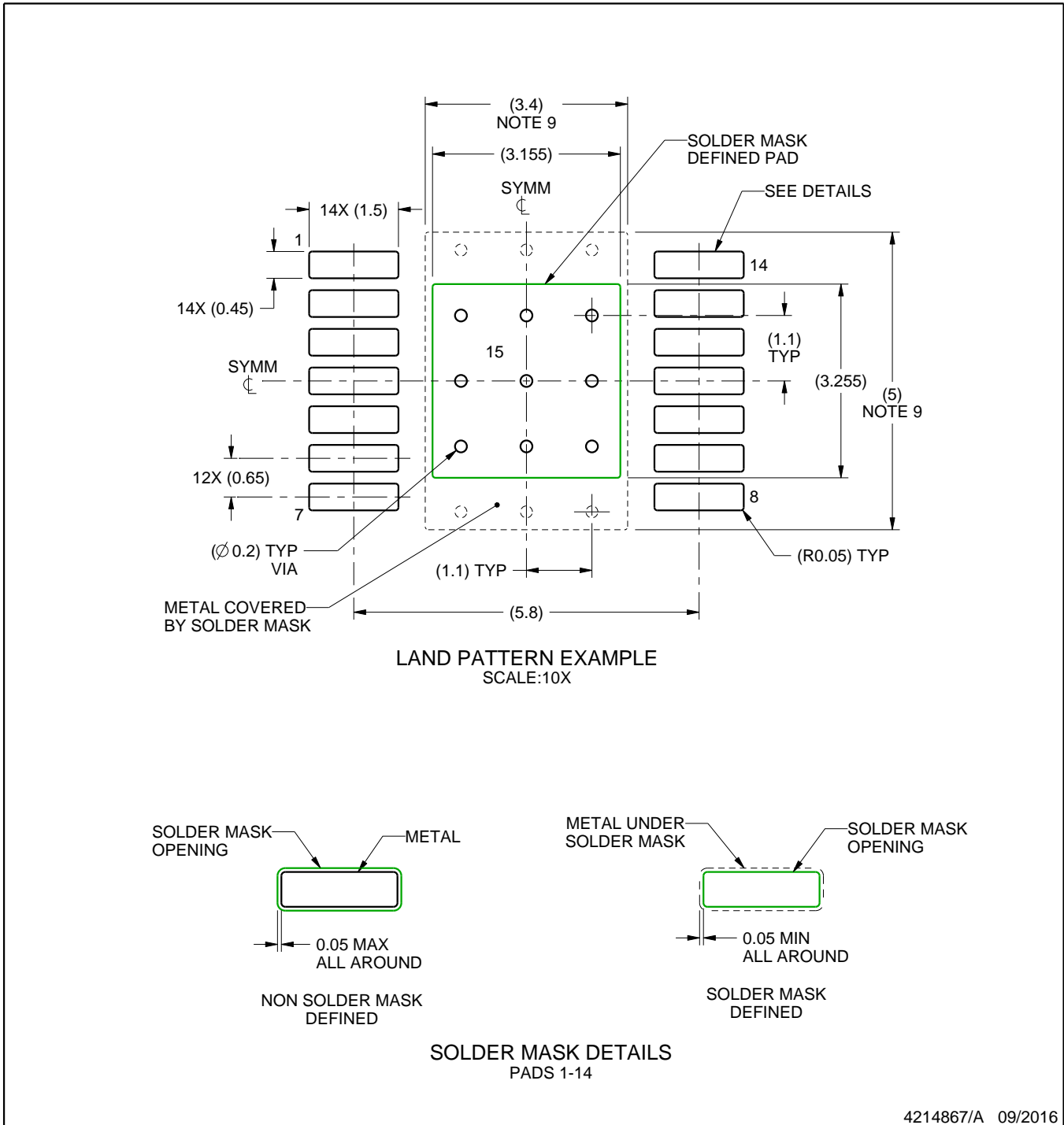
- All linear dimensions are in millimeters. Any dimensions in parenthesis are for reference only. Dimensioning and tolerancing per ASME Y14.5M.
- This drawing is subject to change without notice.
- This dimension does not include mold flash, protrusions, or gate burrs. Mold flash, protrusions, or gate burrs shall not exceed 0.15 mm per side.
- Reference JEDEC registration MO-153.
- Features may differ and may not be present.

# EXAMPLE BOARD LAYOUT

**PWP0014A**

**PowerPAD™ TSSOP - 1.2 mm max height**

PLASTIC SMALL OUTLINE



4214867/A 09/2016

NOTES: (continued)

6. Publication IPC-7351 may have alternate designs.
7. Solder mask tolerances between and around signal pads can vary based on board fabrication site.
8. This package is designed to be soldered to a thermal pad on the board. For more information, see Texas Instruments literature numbers SLMA002 ([www.ti.com/lit/slma002](http://www.ti.com/lit/slma002)) and SLMA004 ([www.ti.com/lit/slma004](http://www.ti.com/lit/slma004)).
9. Size of metal pad may vary due to creepage requirement.



## IMPORTANT NOTICE AND DISCLAIMER

TI PROVIDES TECHNICAL AND RELIABILITY DATA (INCLUDING DATASHEETS), DESIGN RESOURCES (INCLUDING REFERENCE DESIGNS), APPLICATION OR OTHER DESIGN ADVICE, WEB TOOLS, SAFETY INFORMATION, AND OTHER RESOURCES "AS IS" AND WITH ALL FAULTS, AND DISCLAIMS ALL WARRANTIES, EXPRESS AND IMPLIED, INCLUDING WITHOUT LIMITATION ANY IMPLIED WARRANTIES OF MERCHANTABILITY, FITNESS FOR A PARTICULAR PURPOSE OR NON-INFRINGEMENT OF THIRD PARTY INTELLECTUAL PROPERTY RIGHTS.

These resources are intended for skilled developers designing with TI products. You are solely responsible for (1) selecting the appropriate TI products for your application, (2) designing, validating and testing your application, and (3) ensuring your application meets applicable standards, and any other safety, security, regulatory or other requirements.

These resources are subject to change without notice. TI grants you permission to use these resources only for development of an application that uses the TI products described in the resource. Other reproduction and display of these resources is prohibited. No license is granted to any other TI intellectual property right or to any third party intellectual property right. TI disclaims responsibility for, and you fully indemnify TI and its representatives against any claims, damages, costs, losses, and liabilities arising out of your use of these resources.

TI's products are provided subject to [TI's Terms of Sale](#), [TI's General Quality Guidelines](#), or other applicable terms available either on [ti.com](http://ti.com) or provided in conjunction with such TI products. TI's provision of these resources does not expand or otherwise alter TI's applicable warranties or warranty disclaimers for TI products. Unless TI explicitly designates a product as custom or customer-specified, TI products are standard, catalog, general purpose devices.

TI objects to and rejects any additional or different terms you may propose.

Copyright © 2025, Texas Instruments Incorporated

Last updated 10/2025

## OUR CERTIFICATE

DiGi provide top-quality products and perfect service for customer worldwide through standardization, technological innovation and continuous improvement. DiGi through third-party certification, we stricly control the quality of products and services. Welcome your RFQ to

Email: [Info@DiGi-Electronics.com](mailto:Info@DiGi-Electronics.com)



Tel: +00 852-30501935

RFQ Email: [Info@DiGi-Electronics.com](mailto:Info@DiGi-Electronics.com)

DiGi is a global authorized distributor of electronic components.