

LM61CIZ/NOPB Datasheet



<https://www.DiGi-Electronics.com>

DiGi Electronics Part Number	LM61CIZ/NOPB-DG
Manufacturer	Texas Instruments
Manufacturer Product Number	LM61CIZ/NOPB
Description	SENSOR ANALOG -30C-100C TO92-3
Detailed Description	Temperature Sensor Analog, Local -30°C ~ 100°C 10 mV/°C TO-92-3



Tel: +00 852-30501935

RFQ Email: Info@DiGi-Electronics.com

DiGi is a global authorized distributor of electronic components.

Purchase and inquiry

Manufacturer Product Number:

LM61CIZ/NOPB

Series:

-

Sensor Type:

Analog, Local

Sensing Temperature - Remote:

-

Voltage - Supply:

2.7V ~ 10V

Features:

Shutdown Mode

Test Condition:

25°C (-30°C ~ 100°C)

Mounting Type:

Through Hole

Supplier Device Package:

TO-92-3

Manufacturer:

Texas Instruments

Product Status:

Active

Sensing Temperature - Local:

-30°C ~ 100°C

Output Type:

Analog Voltage

Resolution:

10mV/°C

Accuracy - Highest (Lowest):

±3°C (±4°C)

Operating Temperature:

-30°C ~ 100°C

Package / Case:

TO-226-3, TO-92-3 (TO-226AA)

Base Product Number:

LM61

Environmental & Export classification

RoHS Status:

ROHS3 Compliant

REACH Status:

REACH Unaffected

HTSUS:

8542.39.0001

Moisture Sensitivity Level (MSL):

Not Applicable

ECCN:

EAR99

LM61 2.7-V, SOT-23 or TO-92 Temperature Sensor

1 Features

- Calibrated Linear Scale Factor of 10 mV/°C
- Rated for Full Temperature Range (–30° to 100°C)
- Suitable for Remote Applications
- UL Recognized Component
- ±2°C or ±3°C Accuracy at 25°C (Maximum)
- ±3°C Accuracy for –25°C to 85°C (Maximum)
- ±4°C Accuracy for –30°C to 100°C (Maximum)
- 10 mV/°C Temperature Slope (Maximum)
- 2.7-V to 10-V Power Supply Voltage Range
- 125-µA Current Drain at 25°C (Maximum)
- ±0.8°C Nonlinearity (Maximum)
- 800-Ω Output Impedance (Maximum)

2 Applications

- Cellular Phones
- Computers
- Power Supply Modules
- Battery Management
- FAX Machines
- Printers
- HVAC
- Disk Drives
- Appliances

3 Description

The LM61 device is a precision, integrated-circuit temperature sensor that can sense a –30°C to 100°C temperature range while operating from a single 2.7-V supply. The output voltage of the LM61 is linearly proportional to temperature (10 mV/°C) and has a DC offset of 600 mV. The offset allows reading negative temperatures without the need for a negative supply. The nominal output voltage of the LM61 ranges from 300 mV to 1600 mV for a –30°C to 100°C temperature range. The LM61 is calibrated to provide accuracies of ±2°C at room temperature and ±3°C over the full –25°C to 85°C temperature range.

The linear output of the LM61, 600-mV offset, and factory calibration simplify external circuitry required in a single supply environment where reading negative temperatures is required. Because the quiescent current is less than 125 µA, self-heating is limited to a very low 0.2°C in still air. Shutdown capability for the LM61 is intrinsic because its inherent low power consumption allows it to be powered directly from the output of many logic gates.

Device Information⁽¹⁾

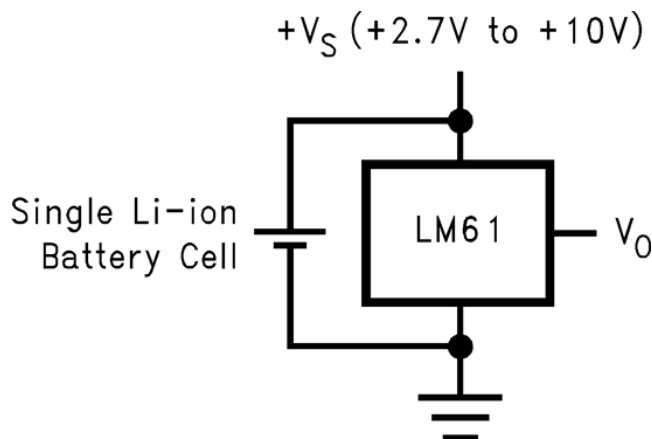
PART NUMBER	PACKAGE	BODY SIZE (NOM)
LM61	SOT-23 (3)	1.30 mm x 2.92 mm
	TO-92 (3)	4.30 mm x 4.30 mm

(1) For all available packages, see the orderable addendum at the end of the data sheet.

Key Specifications

	VALUE
Accuracy at 25°C	±2°C or ±3°C
Accuracy for –25°C to 85°C	±3°C
Accuracy for –30°C to 100°C	±4°C
Temperature slope	10 mV/°C
Power supply voltage	2.7 V to 10 V
Current drain at 25°C	125 µA
Nonlinearity	±0.8°C
Output impedance	800 Ω

Typical Application



Copyright © 2016, Texas Instruments Incorporated

$$V_O = (10 \text{ mV/}^\circ\text{C} \times T^\circ\text{C}) + 600 \text{ mV}$$



Table of Contents

1 Features	1	8 Application and Implementation	8
2 Applications	1	8.1 Application Information.....	8
3 Description	1	8.2 Typical Applications	8
4 Revision History	2	9 Power Supply Recommendations	11
5 Pin Configuration and Functions	3	10 Layout	11
6 Specifications	3	10.1 Layout Guidelines	11
6.1 Absolute Maximum Ratings	3	10.2 Layout Examples.....	11
6.2 ESD Ratings.....	3	10.3 Thermal Considerations	12
6.3 Recommended Operating Conditions.....	3	11 Device and Documentation Support	14
6.4 Thermal Information	4	11.1 Related Documentation.....	14
6.5 Electrical Characteristics.....	4	11.2 Receiving Notification of Documentation Updates	14
6.6 Typical Characteristics	5	11.3 Community Resources.....	14
7 Detailed Description	7	11.4 Trademarks	14
7.1 Overview	7	11.5 Electrostatic Discharge Caution.....	14
7.2 Functional Block Diagram	7	11.6 Glossary	14
7.3 Feature Description.....	7	12 Mechanical, Packaging, and Orderable	
7.4 Device Functional Modes.....	7	Information	14

4 Revision History

NOTE: Page numbers for previous revisions may differ from page numbers in the current version.

Changes from Revision I (February 2013) to Revision J	Page
• Added <i>Device Information</i> table, <i>Device Comparison Table</i> , <i>Pin Configuration and Functions</i> section, <i>Specifications</i> section, <i>ESD Ratings</i> table, <i>Detailed Description</i> section, <i>Application and Implementation</i> section, <i>Power Supply Recommendations</i> section, <i>Layout</i> section, <i>Device and Documentation Support</i> section, and <i>Mechanical, Packaging, and Orderable Information</i> section	1
• Added <i>Thermal Information</i> table	4
• Changed $R_{\theta JA}$ values for DBZ (SOT-23) From: 450°C/W To: 286.3°C/W and for LP (TO-92) From: 180°C/W To: 162.2°C/W	4

Changes from Revision H (February 2013) to Revision I	Page
• Changed layout of National Semiconductor Data Sheet to TI format	1

5 Pin Configuration and Functions



Pin Functions

PIN		TYPE	DESCRIPTION
NAME	NO.		
+VS	1	Power	Positive power supply pin.
VOUT	2	Output	Temperature sensor analog output.
GND	3	Ground	Device ground pin, connected to power supply negative terminal.

6 Specifications

6.1 Absolute Maximum Ratings

over operating free-air temperature range (unless otherwise noted)⁽¹⁾

	MIN	MAX	UNIT
Supply voltage	12	-0.2	V
Output voltage	(+V _S + 0.6)	-0.6	V
Output current		10	mA
Input current at any pin ⁽²⁾		5	mA
Maximum junction temperature, T _J		125	°C
Storage temperature, T _{stg}	-65	150	°C

- (1) Stresses beyond those listed under *Absolute Maximum Ratings* may cause permanent damage to the device. These are stress ratings only, which do not imply functional operation of the device at these or any other conditions beyond those indicated under *Recommended Operating Conditions*. Exposure to absolute-maximum-rated conditions for extended periods may affect device reliability.
- (2) When the input voltage (V_I) at any pin exceeds power supplies (V_I < GND or V_I > V_S), the current at that pin must be limited to 5 mA.

6.2 ESD Ratings

		VALUE	UNIT
V _(ESD)	Electrostatic discharge	Human-body model (HBM), per ANSI/ESDA/JEDEC JS-001 ⁽¹⁾⁽²⁾	±2500
		Machine Model (MM) ⁽³⁾	±250

- (1) JEDEC document JEP155 states that 500-V HBM allows safe manufacturing with a standard ESD control process.
- (2) The human body model is a 100-pF capacitor discharged through a 1.5-kΩ resistor into each pin.
- (3) The machine model is a 200-pF capacitor discharged directly into each pin.

6.3 Recommended Operating Conditions

			MIN	MAX	UNIT
+V _S	Supply voltage		2	10	V
T	Operating temperature	LM61C	-30	100	°C
		LM61B	-25	85	

LM61

SNIS121J–JUNE 1999–REVISED NOVEMBER 2016

www.ti.com

6.4 Thermal Information

THERMAL METRIC ⁽¹⁾		LM61		UNIT
		DBZ (SOT-23)	LP (TO-92)	
		3 PINS	3 PINS	
$R_{\theta JA}$	Junction-to-ambient thermal resistance ⁽²⁾	286.3	162.2	°C/W
$R_{\theta JC(top)}$	Junction-to-case (top) thermal resistance	96	85	°C/W
$R_{\theta JB}$	Junction-to-board thermal resistance	57.1	—	°C/W
ψ_{JT}	Junction-to-top characterization parameter	5.3	29.2	°C/W
ψ_{JB}	Junction-to-board characterization parameter	55.8	141.4	°C/W

(1) For more information about traditional and new thermal metrics, see the [Semiconductor and IC Package Thermal Metrics](#) application report.

(2) The junction-to-ambient thermal resistance is specified without a heat sink in still air.

6.5 Electrical Characteristics
 $+V_S = 3 \text{ V (DC)}$ ⁽¹⁾⁽²⁾

PARAMETER	TEST CONDITIONS		MIN ⁽³⁾	TYP ⁽⁴⁾	MAX ⁽³⁾	UNIT
Accuracy ⁽⁵⁾	$T_A = 25^\circ\text{C}$	LM61B	–2		2	°C
		LM61C	–3		3	
	LM61B	–3		3		
	LM61C	–4		4		
Output voltage at 0°C			600			mV
Nonlinearity ⁽⁶⁾	LM61B		–0.6		0.6	°C
	LM61C		–0.8		0.8	
Sensor gain (average slope)	LM61B		9.7	10	10.3	mV/°C
	LM61C		9.6	10	10.4	
Output impedance	$+V_S = 3 \text{ V to } 10 \text{ V}$					0.8
	$T_A = -30^\circ\text{C to } 85^\circ\text{C}, +V_S = 2.7 \text{ V}$					2.3
	$T_A = 85^\circ\text{C to } 100^\circ\text{C}, +V_S = 2.7 \text{ V}$					5
Line regulation ⁽⁷⁾	$+V_S = 3 \text{ V to } 10 \text{ V}$		–0.7		0.7	mV/V
	$+V_S = 2.7 \text{ V to } 3.3 \text{ V}$		–5.7		5.7	mV
Quiescent current	$+V_S = 2.7 \text{ V to } 10 \text{ V}$	$T_A = 25^\circ\text{C}$		82	125	μA
					155	
Change of quiescent current	$+V_S = 2.7 \text{ V to } 10 \text{ V}$					±5
Temperature coefficient of quiescent current						0.2
Long term stability ⁽⁸⁾	$T_J = T_{MAX} = 100^\circ\text{C}$, for 1000 hours					±0.2

(1) Limits are specified to TI's AOQL (Average Outgoing Quality Level).

(2) Typical limits represent most likely parametric norm.

(3) Maximum and minimum limits apply for $T_A = T_J = T_{MIN}$ to T_{MAX} .

(4) Typical limits apply for $T_A = T_J = 25^\circ\text{C}$.

(5) Accuracy is defined as the error between the output voltage and 10 mV/°C multiplied by the device's case temperature plus 600 mV, at specified conditions of voltage, current, and temperature (expressed in °C).

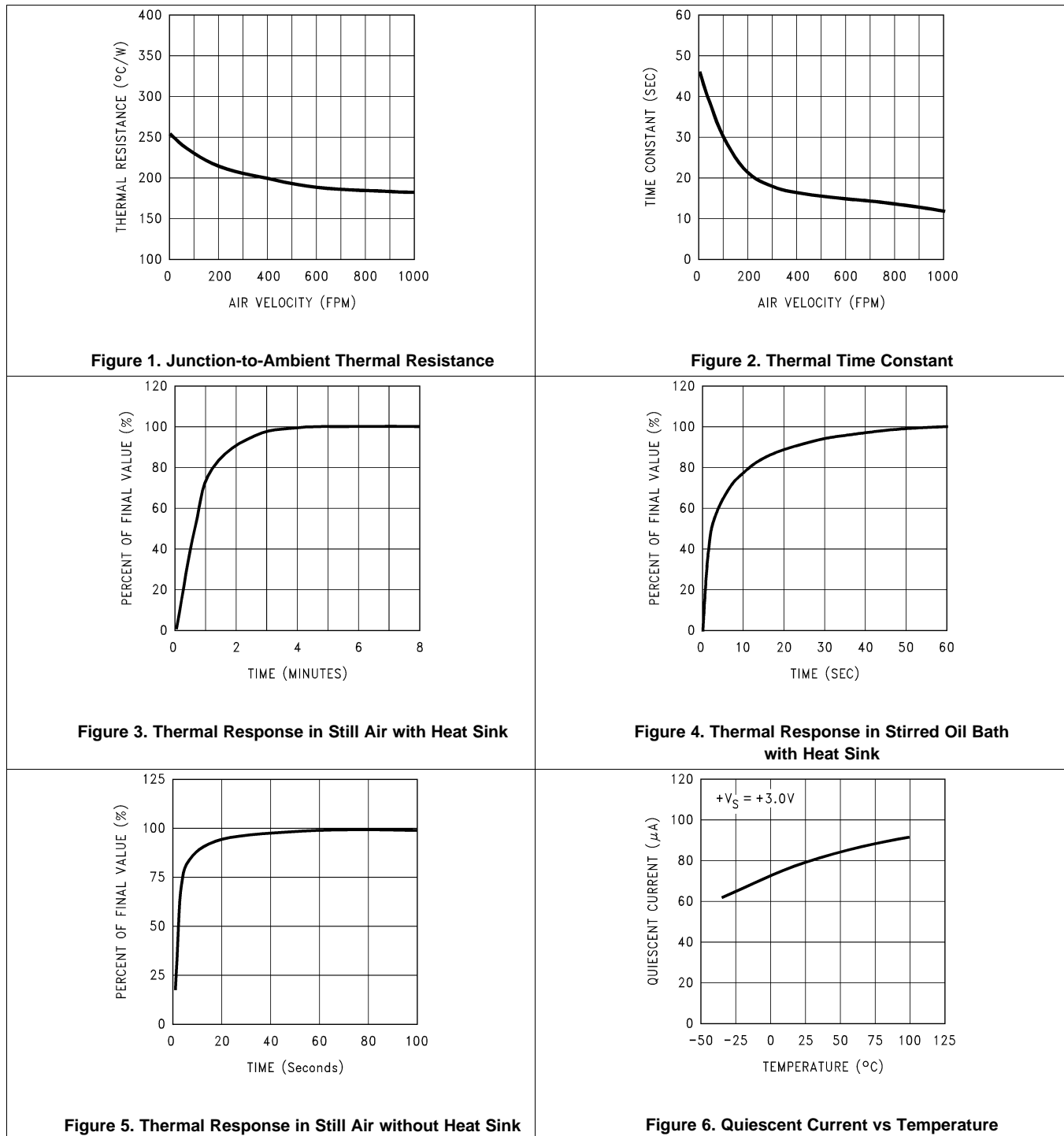
(6) Nonlinearity is defined as the deviation of the output-voltage-versus-temperature curve from the best-fit straight line, over the device's rated temperature range.

(7) Regulation is measured at constant junction temperature, using pulse testing with a low duty cycle. Changes in output due to heating effects can be computed by multiplying the internal dissipation by the thermal resistance.

(8) For best long-term stability, any precision circuit gives best results if the unit is aged at a warm temperature, or temperature cycled for at least 46 hours before long-term life test begins. This is especially true when a small (Surface-Mount) part is wave-soldered; allow time for stress relaxation to occur. The majority of the drift occurs in the first 1000 hours at elevated temperatures. The drift after 1000 hours does not continue at the first 1000-hour rate.

6.6 Typical Characteristics

The LM61 in the SOT-23 package mounted to a printed-circuit board as shown in Figure 18 was used to generate the following thermal curves.



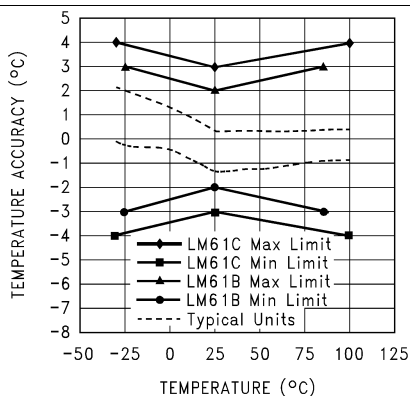
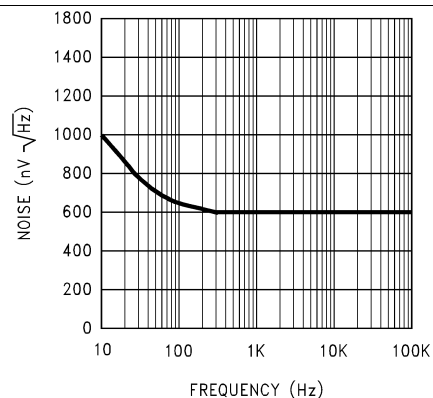
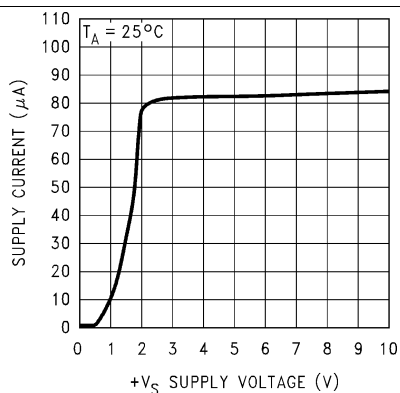
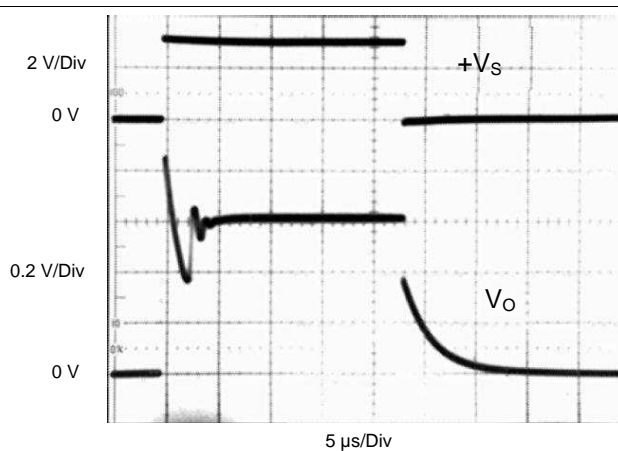
LM61

SNIS121J–JUNE 1999–REVISED NOVEMBER 2016

www.ti.com

Typical Characteristics (continued)

The LM61 in the SOT-23 package mounted to a printed-circuit board as shown in [Figure 18](#) was used to generate the following thermal curves.

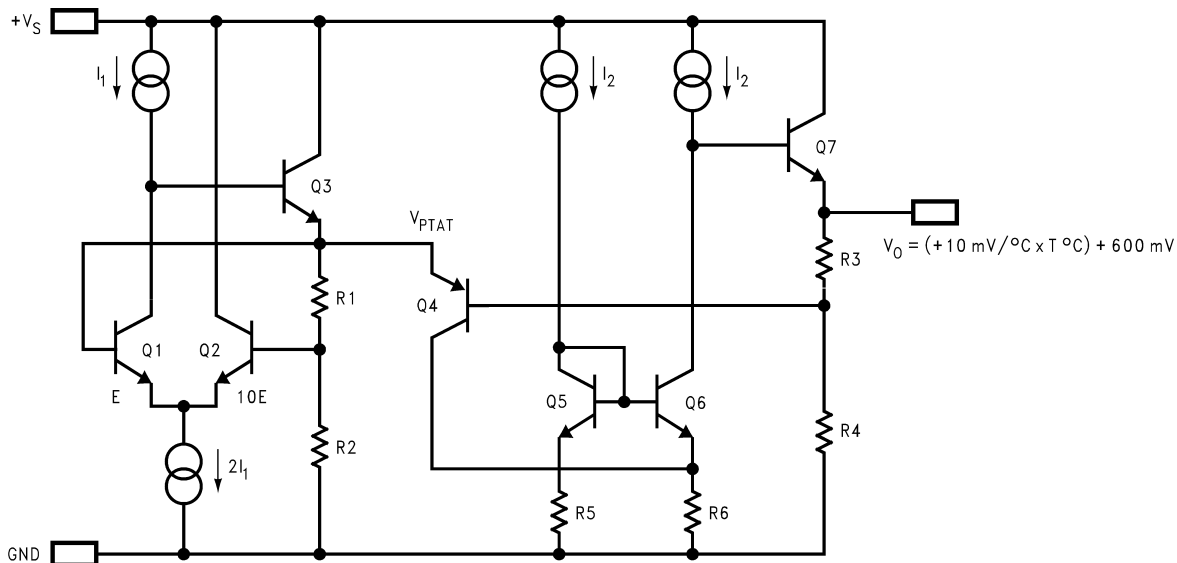
**Figure 7. Accuracy vs Temperature****Figure 8. Noise Voltage****Figure 9. Supply Voltage vs Supply Current****Figure 10. Start-Up Response**

7 Detailed Description

7.1 Overview

The LM61 is a precision integrated-circuit temperature sensor that can sense a -30°C to 100°C temperature range using a single positive supply. The output voltage of the LM61 has a positive temperature slope of $10\text{ mV}/^{\circ}\text{C}$. A 600-mV offset is included, enabling negative temperature sensing when biased by a single supply. The temperature-sensing element is comprised of a delta-VBE architecture. The temperature-sensing element is then buffered by an amplifier and provided to the VOUT pin. The amplifier has a simple class A output stage as shown in [Functional Block Diagram](#).

7.2 Functional Block Diagram



7.3 Feature Description

7.3.1 LM61 Transfer Function

The LM61 follows a simple linear transfer function to achieve the accuracy as listed in [Electrical Characteristics](#). Use [Equation 1](#) to calculate the value of V_O .

$$V_O = 10\text{ mV}/^{\circ}\text{C} \times T^{\circ}\text{C} + 600\text{ mV}$$

where

- T is the temperature in $^{\circ}\text{C}$
- V_O is the LM61 output voltage

(1)

7.4 Device Functional Modes

The only functional mode of the LM61 device is an analog output directly proportional to temperature.

LM61

SNIS121J–JUNE 1999–REVISED NOVEMBER 2016

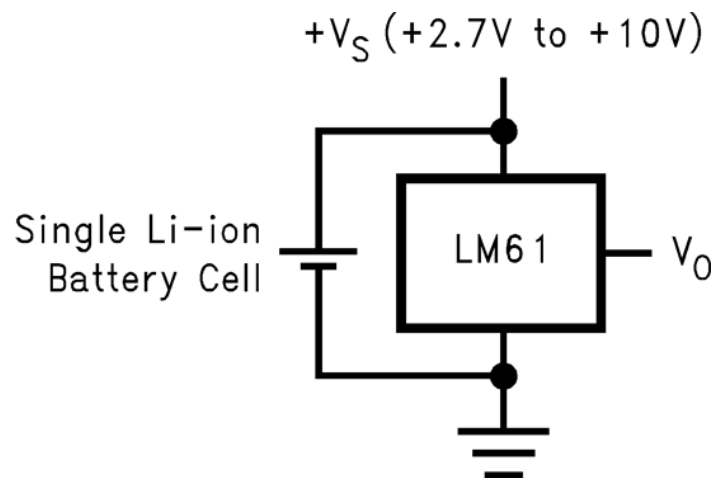
www.ti.com

8 Application and Implementation**NOTE**

Information in the following applications sections is not part of the TI component specification, and TI does not warrant its accuracy or completeness. TI's customers are responsible for determining suitability of components for their purposes. Customers should validate and test their design implementation to confirm system functionality.

8.1 Application Information

The LM61 has a wide supply range and a 10-mV/°C output slope with a 600-mV DC. Therefore, it can be easily applied in many temperature-sensing applications where a single supply is required for positive and negative temperatures.

8.2 Typical Applications**8.2.1 Typical Temperature Sensing Circuit**

Copyright © 2016, Texas Instruments Incorporated

$$V_O = 10 \text{ mV/}^\circ\text{C} \times T^\circ\text{C} + 600 \text{ mV}$$

Figure 11. Typical Temperature Sensing Circuit Diagram**8.2.1.1 Design Requirements**

For this design example, use the parameters listed in [Table 1](#) as the input parameters.

Table 1. Design Parameters

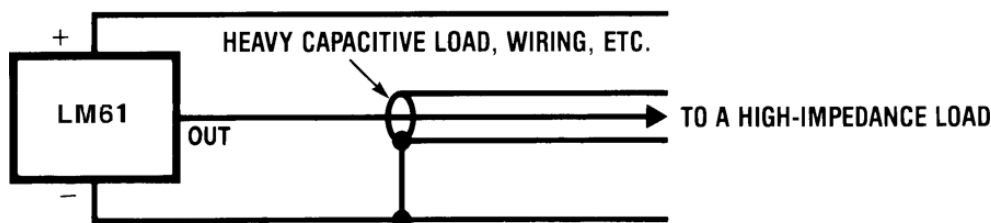
PARAMETER	VALUE
Power supply voltage	2.7 V to 3.3 V
Accuracy at 25°C	±2°C (maximum)
Accuracy over –25°C to 85°C	±3°C (maximum)
Temperature slope	10 mV/°C

8.2.1.2 Detailed Design Procedure

The LM61 is a simple temperature sensor that provides an analog output. Therefore, design requirements related to layout outweigh other requirements in importance. See [Layout](#) for more information.

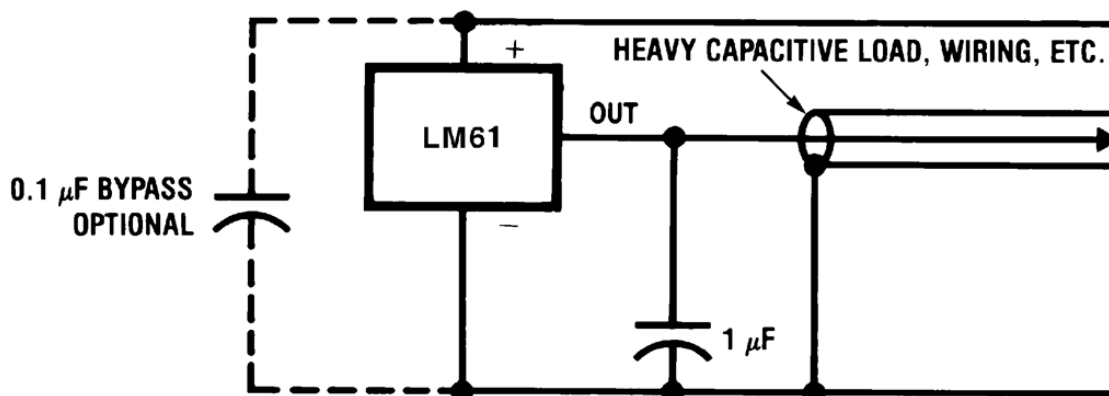
8.2.1.2.1 Capacitive Loads

The LM61 handles capacitive loading well. Without any special precautions, the LM61 can drive any capacitive load as shown in [Figure 12](#). Over the specified temperature range the LM61 has a maximum output impedance of 5 k Ω . In an extremely noisy environment it may be necessary to add some filtering to minimize noise pickup. It is recommended that 0.1- μ F capacitor be added between +VS and GND to bypass the power-supply voltage, as shown in [Figure 13](#). In a noisy environment it may be necessary to add a capacitor from VOUT to ground. A 1- μ F output capacitor with the 5-k Ω maximum output impedance forms a 32-Hz lowpass filter. Because the thermal time constant of the LM61 is much slower than the 5-ms time constant formed by the RC, the overall response time of the LM61 is not significantly affected. For much larger capacitors this additional time lag increases the overall response time of the LM61.



Copyright © 2016, Texas Instruments Incorporated

Figure 12. LM61 No Decoupling Required for Capacitive Load



Copyright © 2016, Texas Instruments Incorporated

Figure 13. LM61 with Filter for Noisy Environments

LM61

SNIS121J–JUNE 1999–REVISED NOVEMBER 2016

www.ti.com

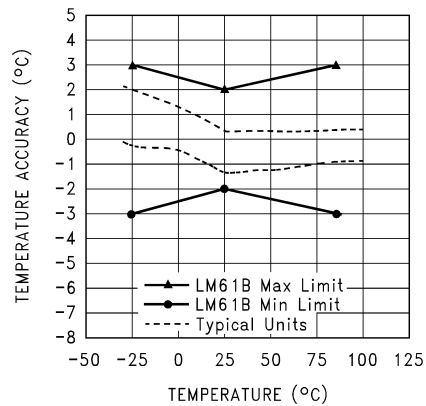
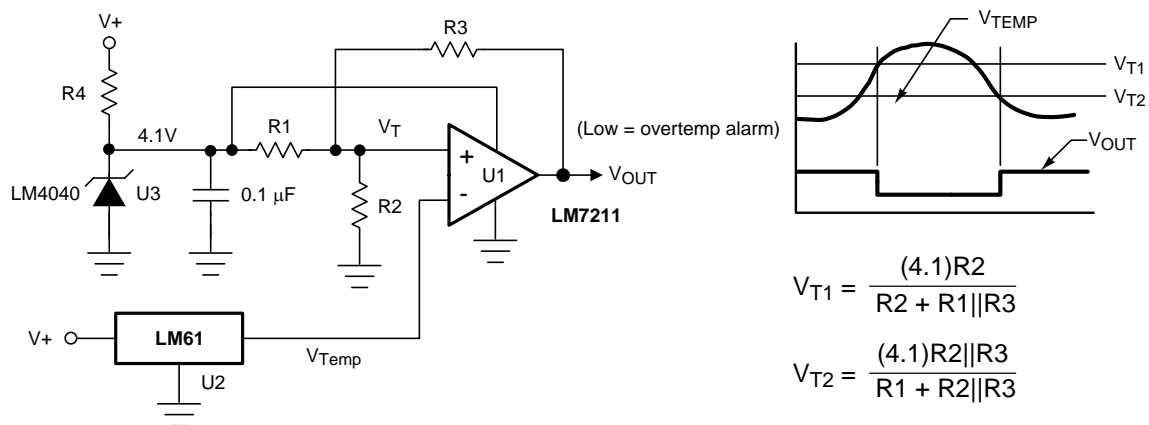
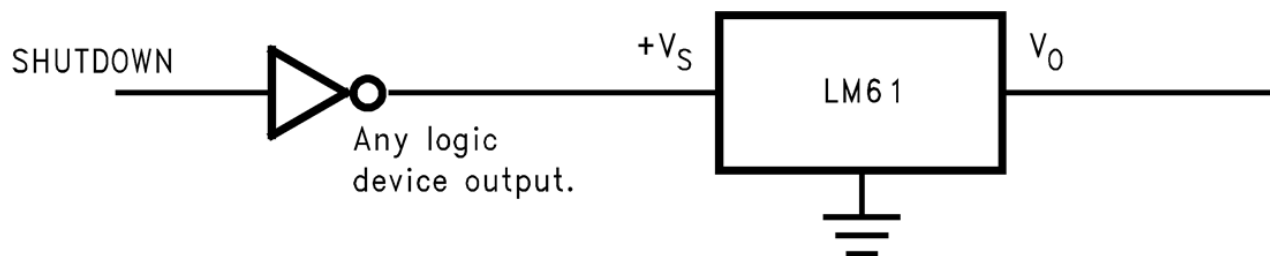
8.2.1.3 Application Curve**Figure 14. Accuracy vs Temperature****8.2.2 Other Application Circuits**

Figure 15 shows an application circuit example using the LM61 device. Customers must fully validate and test any circuit before implementing a design based on an example in this section. Unless otherwise noted, the design procedures in *Typical Temperature Sensing Circuit* are applicable.



Copyright © 2016, Texas Instruments Incorporated

Figure 15. Centigrade Thermostat

Copyright © 2016, Texas Instruments Incorporated

Figure 16. Conserving Power Dissipation with Shutdown

9 Power Supply Recommendations

In an extremely noisy environment, it may be necessary to add filtering to minimize noise pickup. TI recommends a 0.1- μ F capacitor be added between $+V_S$ to GND to bypass the power-supply voltage, as shown in [Figure 13](#).

10 Layout

10.1 Layout Guidelines

10.1.1 Mounting

The LM61 can be applied easily in the same way as other integrated-circuit temperature sensors. It can be glued or cemented to a surface. The temperature that the LM61 senses is within about 0.2°C of the surface temperature that LM61's leads are attached to.

This presumes that the ambient air temperature is almost the same as the surface temperature; if the air temperature is much higher or lower than the surface temperature, the actual temperature measured would be at an intermediate temperature between the surface temperature and the air temperatures.

To ensure good thermal conductivity the backside of the LM61 die is directly attached to the GND pin. The lands and traces to the LM61 are part of the printed-circuit board, which is the object whose temperature is being measured.

Alternatively, the LM61 can be mounted inside a sealed-end metal tube, and can then be dipped into a bath or screwed into a threaded hole in a tank. As with any IC, the LM61 and accompanying wiring and circuits must be kept insulated and dry, to avoid leakage and corrosion. This is especially true if the circuit may operate at cold temperatures where condensation can occur. Printed-circuit coatings and varnishes such as Humiseal and epoxy paints or dips are often used to ensure that moisture cannot corrode the device or connections.

10.2 Layout Examples

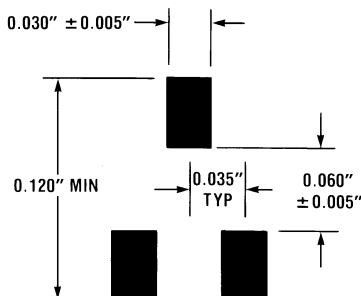
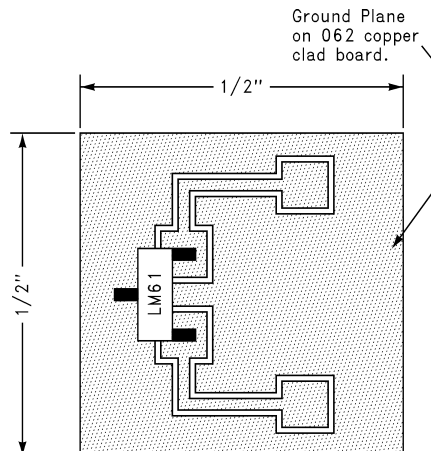


Figure 17. Recommended Solder Pads for SOT-23 Package

LM61

SNIS121J–JUNE 1999–REVISED NOVEMBER 2016

www.ti.com

Layout Examples (continued)

- A. 1/2 in.² printed-circuit board with 2 oz copper foil or similar.

Figure 18. Printed-Circuit Board Used for Heat Sink to Generate All Curves

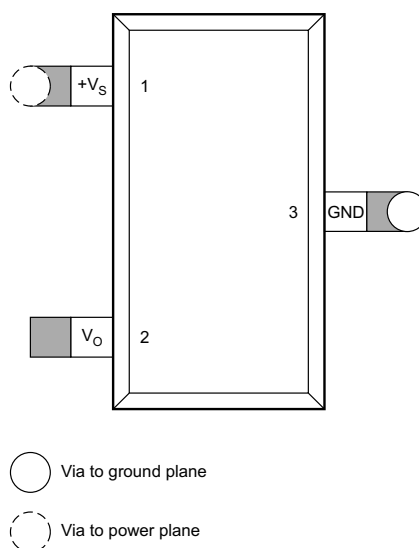


Figure 19. PCB Layout

10.3 Thermal Considerations

The junction-to-ambient thermal resistance is the parameter used to calculate the rise of a device junction temperature due to its power dissipation. For the LM61, [Equation 2](#) is used to calculate the rise in the die temperature.

$$T_J = T_A + R_{\theta JA} \times ((+V_S \times I_Q) + (+V_S - V_O) \times I_L)$$

where

- I_Q is the quiescent current
- I_L is the load current on the output

(2)

[Table 2](#) summarizes the rise in die temperature of the LM61 without any loading with a 3.3-V supply, and the thermal resistance for different conditions.

Table 2. Temperature Rise of LM61 Due to Self-Heating and Thermal Resistance ($R_{\theta JA}$)

			$R_{\theta JA}$ (°C/W)	$T_J - T_A$ (°C)
SOT-23	No heat sink ⁽¹⁾	Still air	450	0.26
		Moving air	—	—
	Small heat fin ⁽²⁾	Still air	260	0.13
		Moving air	180	0.09
TO-92	No heat sink ⁽¹⁾	Still air	180	0.09
		Moving air	90	0.05
	Small heat fin ⁽³⁾	Still air	140	0.07
		Moving air	70	0.03

(1) Part soldered to 30 gauge wire.

(2) Heat sink used is 1/2 in.² printed -circuit board with 2-oz foil with part attached as shown in [Figure 18](#).

(3) Part glued and leads soldered to 1 in.² of 1/16 in. printed circuit board with 2-oz foil or similar.

Table 3. Temperature and Typical V_O Values

TEMPERATURE	V_O (TYPICAL)
100°C	1600 mV
85°C	1450 mV
25°C	850 mV
0°C	600 mV
-25°C	350 mV
-30°C	300 mV

LM61

SNIS121J—JUNE 1999—REVISED NOVEMBER 2016

www.ti.com

11 Device and Documentation Support

11.1 Related Documentation

For related documentation see the following:

- [TO-92 Packing Options / Ordering Instructions](#) (SNOA072)
- [Tiny Temperature Sensors for Remote Systems](#) (SNIA009)

11.2 Receiving Notification of Documentation Updates

To receive notification of documentation updates, navigate to the device product folder on ti.com. In the upper right corner, click on *Alert me* to register and receive a weekly digest of any product information that has changed. For change details, review the revision history included in any revised document.

11.3 Community Resources

The following links connect to TI community resources. Linked contents are provided "AS IS" by the respective contributors. They do not constitute TI specifications and do not necessarily reflect TI's views; see TI's [Terms of Use](#).

TI E2E™ Online Community *TI's Engineer-to-Engineer (E2E) Community*. Created to foster collaboration among engineers. At e2e.ti.com, you can ask questions, share knowledge, explore ideas and help solve problems with fellow engineers.

Design Support *TI's Design Support* Quickly find helpful E2E forums along with design support tools and contact information for technical support.

11.4 Trademarks

E2E is a trademark of Texas Instruments.

All other trademarks are the property of their respective owners.

11.5 Electrostatic Discharge Caution



This integrated circuit can be damaged by ESD. Texas Instruments recommends that all integrated circuits be handled with appropriate precautions. Failure to observe proper handling and installation procedures can cause damage.

ESD damage can range from subtle performance degradation to complete device failure. Precision integrated circuits may be more susceptible to damage because very small parametric changes could cause the device not to meet its published specifications.

11.6 Glossary

[SLYZ022](#) — *TI Glossary*.

This glossary lists and explains terms, acronyms, and definitions.

12 Mechanical, Packaging, and Orderable Information

The following pages include mechanical, packaging, and orderable information. This information is the most current data available for the designated devices. This data is subject to change without notice and revision of this document. For browser-based versions of this data sheet, refer to the left-hand navigation.

PACKAGING INFORMATION

Orderable part number	Status (1)	Material type (2)	Package Pins	Package qty Carrier	RoHS (3)	Lead finish/ Ball material (4)	MSL rating/ Peak reflow (5)	Op temp (°C)	Part marking (6)
LM61BIM3	NRND	Production	SOT-23 (DBZ) 3	1000 LARGE T&R	No	SNPB	Level-1-260C-UNLIM	-25 to 85	T1B
LM61BIM3.B	NRND	Production	SOT-23 (DBZ) 3	1000 LARGE T&R	No	SNPB	Level-1-260C-UNLIM	-25 to 85	T1B
LM61BIM3/NOPB	Obsolete	Production	SOT-23 (DBZ) 3	-	-	Call TI	Call TI	-25 to 85	T1B
LM61BIM3X/NOPB	Active	Production	SOT-23 (DBZ) 3	3000 LARGE T&R	Yes	SN	Level-1-260C-UNLIM	-25 to 85	T1B
LM61BIM3X/NOPB.A	Active	Production	SOT-23 (DBZ) 3	3000 LARGE T&R	Yes	SN	Level-1-260C-UNLIM	-25 to 85	T1B
LM61BIM3X/NOPB.B	Active	Production	SOT-23 (DBZ) 3	3000 LARGE T&R	Yes	SN	Level-1-260C-UNLIM	-25 to 85	T1B
LM61BIZ/LFT3	Active	Production	TO-92 (LP) 3	2000 LARGE T&R	Yes	SN	N/A for Pkg Type	-25 to 85	LM61 BIZ
LM61BIZ/LFT3.B	Active	Production	TO-92 (LP) 3	2000 LARGE T&R	Yes	SN	N/A for Pkg Type	-25 to 85	LM61 BIZ
LM61BIZ/NOPB	Active	Production	TO-92 (LP) 3	1800 SMALL T&R	Yes	SN	N/A for Pkg Type	-25 to 85	LM61 BIZ
LM61BIZ/NOPB.A	Active	Production	TO-92 (LP) 3	1800 SMALL T&R	Yes	SN	N/A for Pkg Type	-25 to 85	LM61 BIZ
LM61BIZ/NOPB.B	Active	Production	TO-92 (LP) 3	1800 SMALL T&R	Yes	SN	N/A for Pkg Type	-25 to 85	LM61 BIZ
LM61CIM3	NRND	Production	SOT-23 (DBZ) 3	1000 LARGE T&R	No	SNPB	Level-1-260C-UNLIM	-30 to 100	T1C
LM61CIM3.B	NRND	Production	SOT-23 (DBZ) 3	1000 LARGE T&R	No	SNPB	Level-1-260C-UNLIM	-30 to 100	T1C
LM61CIM3/NOPB	Obsolete	Production	SOT-23 (DBZ) 3	-	-	Call TI	Call TI	-30 to 100	T1C
LM61CIM3X/NOPB	Active	Production	SOT-23 (DBZ) 3	3000 LARGE T&R	Yes	SN	Level-1-260C-UNLIM	-30 to 100	T1C
LM61CIM3X/NOPB.A	Active	Production	SOT-23 (DBZ) 3	3000 LARGE T&R	Yes	SN	Level-1-260C-UNLIM	-30 to 100	T1C
LM61CIM3X/NOPB.B	Active	Production	SOT-23 (DBZ) 3	3000 LARGE T&R	Yes	SN	Level-1-260C-UNLIM	-30 to 100	T1C
LM61CIZ/LFT2	Active	Production	TO-92 (LP) 3	2000 LARGE T&R	Yes	SN	N/A for Pkg Type	-30 to 100	LM61 CIZ
LM61CIZ/LFT2.B	Active	Production	TO-92 (LP) 3	2000 LARGE T&R	Yes	SN	N/A for Pkg Type	-30 to 100	LM61 CIZ
LM61CIZ/NOPB	Active	Production	TO-92 (LP) 3	1800 SMALL T&R	Yes	SN	N/A for Pkg Type	-30 to 100	LM61 CIZ
LM61CIZ/NOPB.A	Active	Production	TO-92 (LP) 3	1800 SMALL T&R	Yes	SN	N/A for Pkg Type	-30 to 100	LM61 CIZ
LM61CIZ/NOPB.B	Active	Production	TO-92 (LP) 3	1800 SMALL T&R	Yes	SN	N/A for Pkg Type	-30 to 100	LM61 CIZ

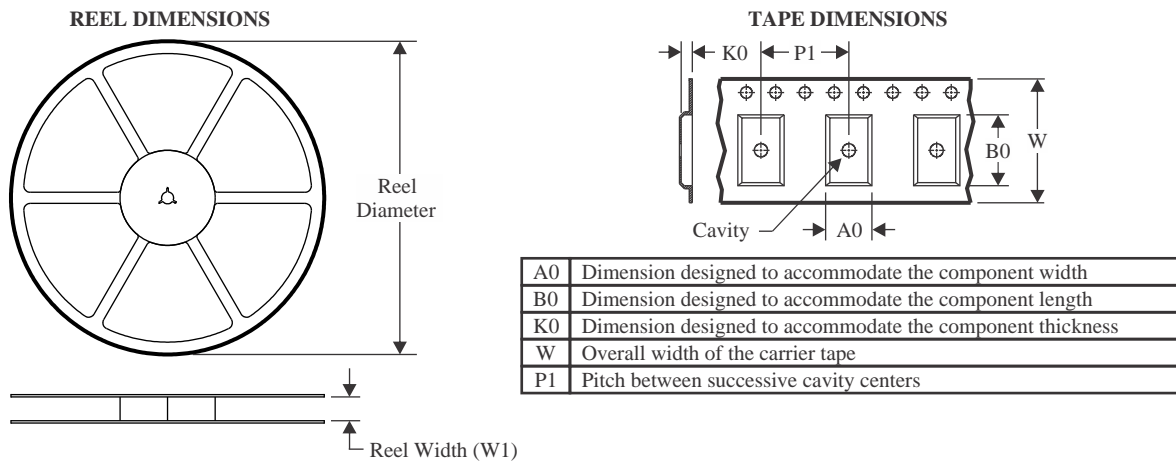
- (1) **Status:** For more details on status, see our [product life cycle](#).
- (2) **Material type:** When designated, preproduction parts are prototypes/experimental devices, and are not yet approved or released for full production. Testing and final process, including without limitation quality assurance, reliability performance testing, and/or process qualification, may not yet be complete, and this item is subject to further changes or possible discontinuation. If available for ordering, purchases will be subject to an additional waiver at checkout, and are intended for early internal evaluation purposes only. These items are sold without warranties of any kind.
- (3) **RoHS values:** Yes, No, RoHS Exempt. See the [TI RoHS Statement](#) for additional information and value definition.
- (4) **Lead finish/Ball material:** Parts may have multiple material finish options. Finish options are separated by a vertical ruled line. Lead finish/Ball material values may wrap to two lines if the finish value exceeds the maximum column width.
- (5) **MSL rating/Peak reflow:** The moisture sensitivity level ratings and peak solder (reflow) temperatures. In the event that a part has multiple moisture sensitivity ratings, only the lowest level per JEDEC standards is shown. Refer to the shipping label for the actual reflow temperature that will be used to mount the part to the printed circuit board.
- (6) **Part marking:** There may be an additional marking, which relates to the logo, the lot trace code information, or the environmental category of the part.

Multiple part markings will be inside parentheses. Only one part marking contained in parentheses and separated by a "~" will appear on a part. If a line is indented then it is a continuation of the previous line and the two combined represent the entire part marking for that device.

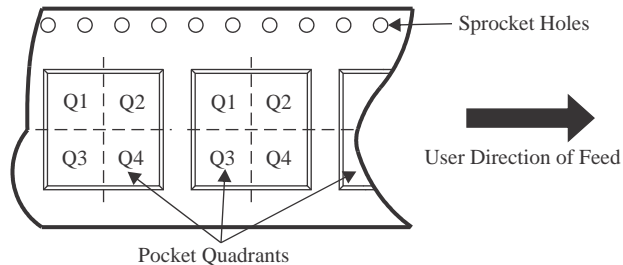
Important Information and Disclaimer: The information provided on this page represents TI's knowledge and belief as of the date that it is provided. TI bases its knowledge and belief on information provided by third parties, and makes no representation or warranty as to the accuracy of such information. Efforts are underway to better integrate information from third parties. TI has taken and continues to take reasonable steps to provide representative and accurate information but may not have conducted destructive testing or chemical analysis on incoming materials and chemicals. TI and TI suppliers consider certain information to be proprietary, and thus CAS numbers and other limited information may not be available for release.

In no event shall TI's liability arising out of such information exceed the total purchase price of the TI part(s) at issue in this document sold by TI to Customer on an annual basis.

TAPE AND REEL INFORMATION



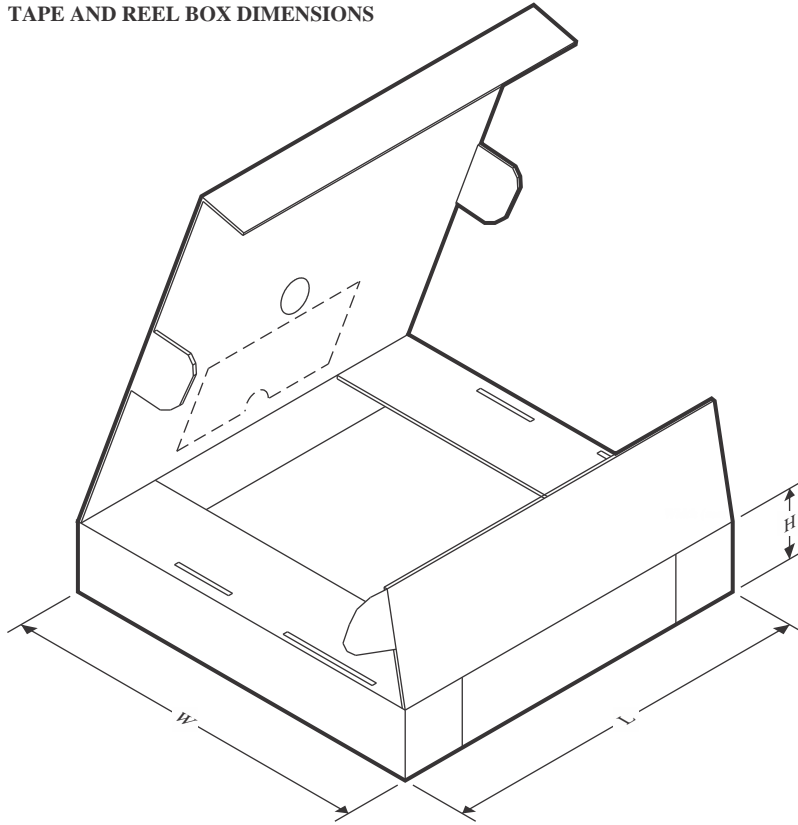
QUADRANT ASSIGNMENTS FOR PIN 1 ORIENTATION IN TAPE



*All dimensions are nominal

Device	Package Type	Package Drawing	Pins	SPQ	Reel Diameter (mm)	Reel Width W1 (mm)	A0 (mm)	B0 (mm)	K0 (mm)	P1 (mm)	W (mm)	Pin1 Quadrant
LM61BIM3X/NOPB	SOT-23	DBZ	3	3000	178.0	8.4	3.3	2.9	1.22	4.0	8.0	Q3
LM61CIM3X/NOPB	SOT-23	DBZ	3	3000	178.0	8.4	3.3	2.9	1.22	4.0	8.0	Q3

TAPE AND REEL BOX DIMENSIONS

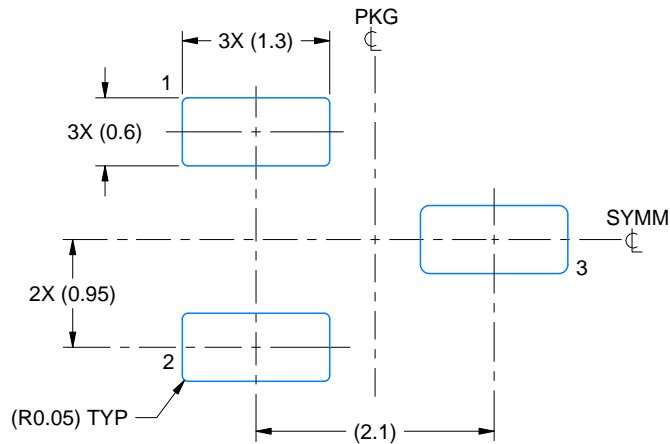


*All dimensions are nominal

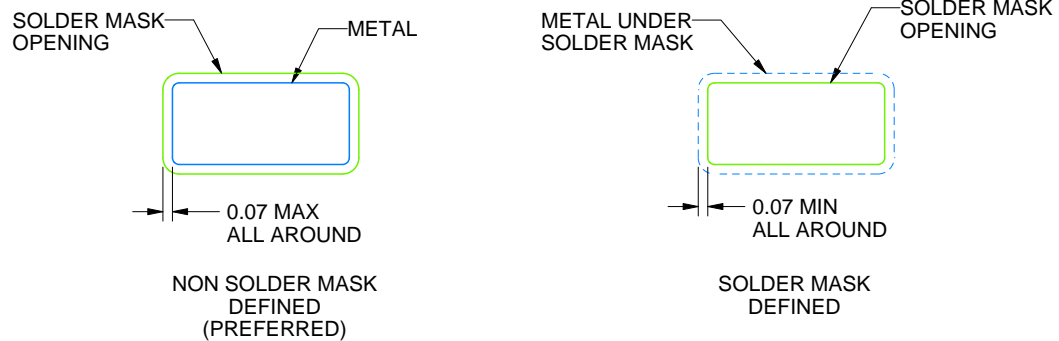
Device	Package Type	Package Drawing	Pins	SPQ	Length (mm)	Width (mm)	Height (mm)
LM61BIM3X/NOPB	SOT-23	DBZ	3	3000	208.0	191.0	35.0
LM61CIM3X/NOPB	SOT-23	DBZ	3	3000	208.0	191.0	35.0

EXAMPLE BOARD LAYOUT**DBZ0003A****SOT-23 - 1.12 mm max height**

SMALL OUTLINE TRANSISTOR



LAND PATTERN EXAMPLE
SCALE:15X



SOLDER MASK DETAILS

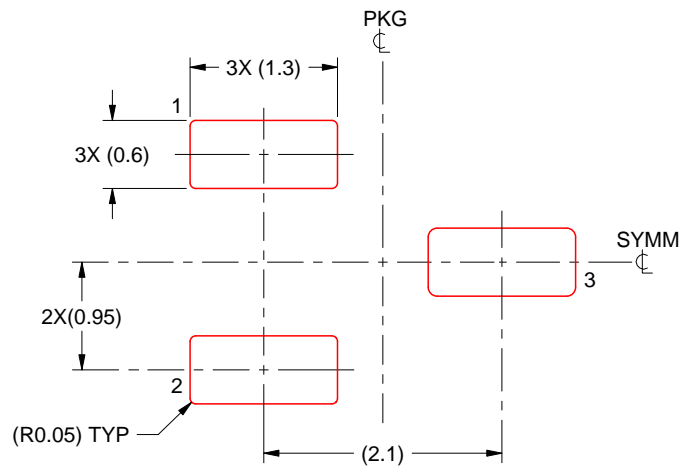
4214838/F 08/2024

NOTES: (continued)

5. Publication IPC-7351 may have alternate designs.
6. Solder mask tolerances between and around signal pads can vary based on board fabrication site.

EXAMPLE STENCIL DESIGN**DBZ0003A****SOT-23 - 1.12 mm max height**

SMALL OUTLINE TRANSISTOR



SOLDER PASTE EXAMPLE
 BASED ON 0.125 THICK STENCIL
 SCALE:15X

4214838/F 08/2024

NOTES: (continued)

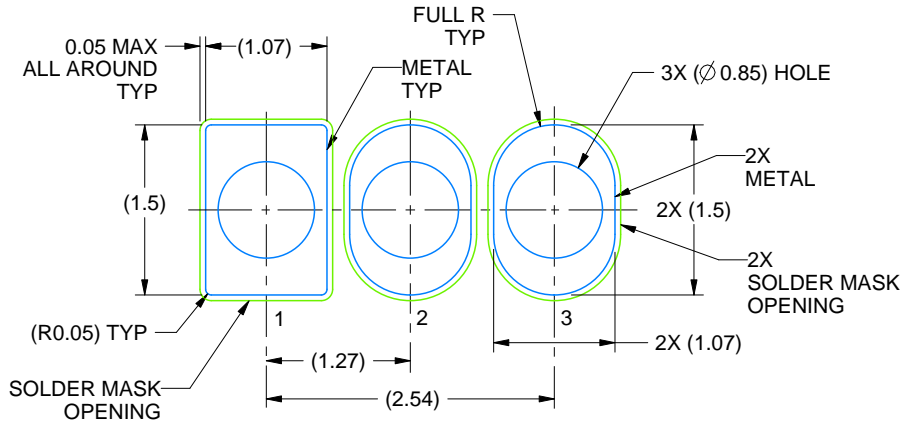
7. Laser cutting apertures with trapezoidal walls and rounded corners may offer better paste release. IPC-7525 may have alternate design recommendations.
8. Board assembly site may have different recommendations for stencil design.

EXAMPLE BOARD LAYOUT

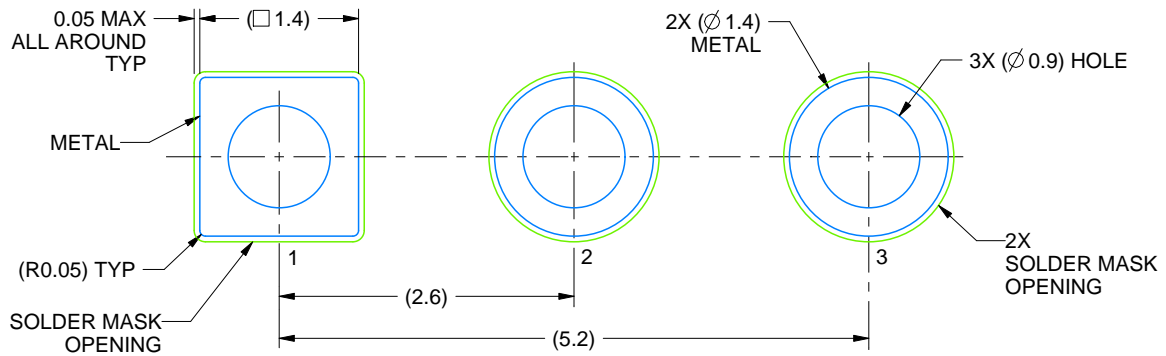
LP0003A

TO-92 - 5.34 mm max height

TO-92



LAND PATTERN EXAMPLE
STRAIGHT LEAD OPTION
NON-SOLDER MASK DEFINED
SCALE:15X



LAND PATTERN EXAMPLE
FORMED LEAD OPTION
NON-SOLDER MASK DEFINED
SCALE:15X

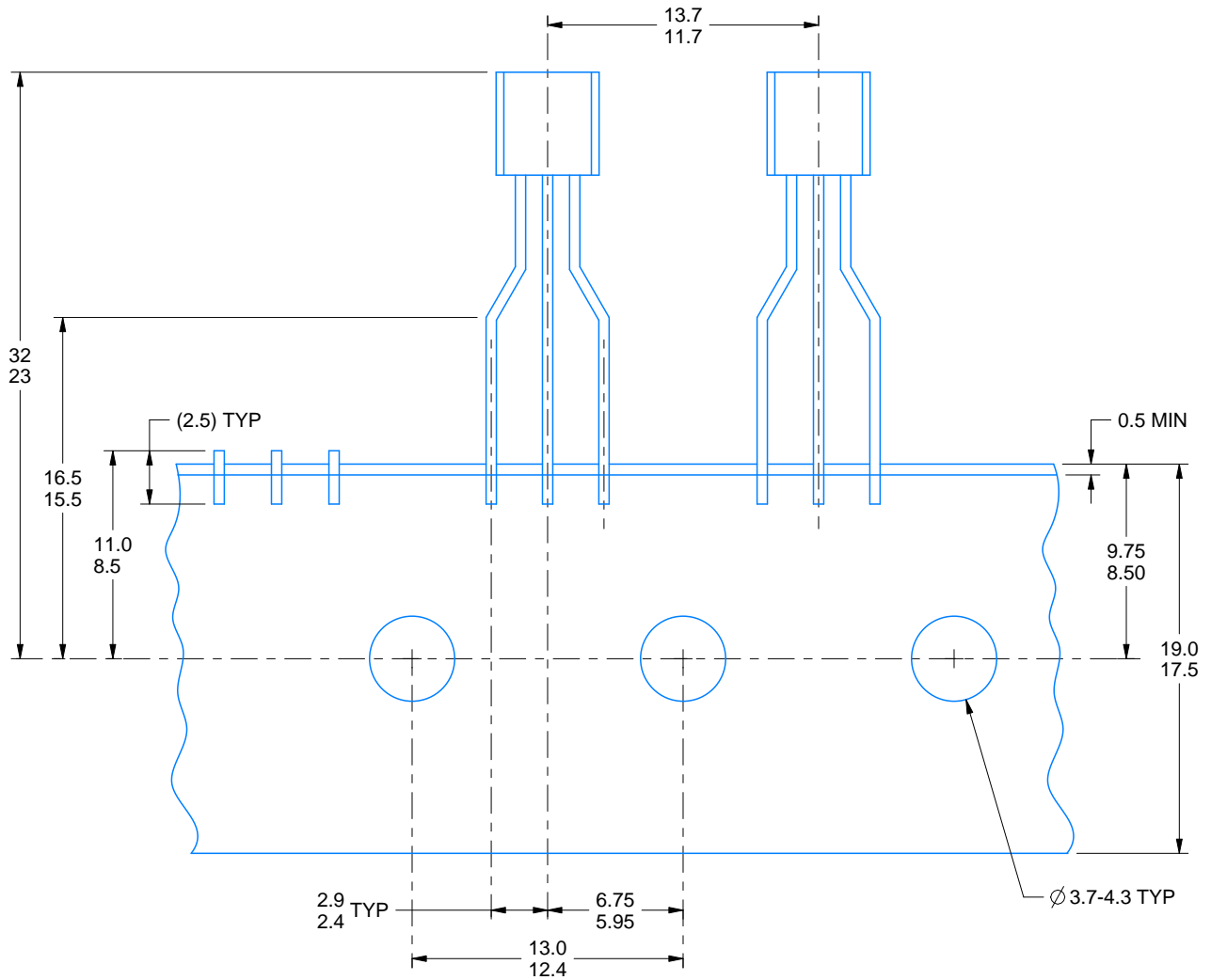
4215214/C 04/2025

TAPE SPECIFICATIONS

LP0003A

TO-92 - 5.34 mm max height

TO-92



FOR FORMED LEAD OPTION PACKAGE

4215214/C 04/2025

IMPORTANT NOTICE AND DISCLAIMER

TI PROVIDES TECHNICAL AND RELIABILITY DATA (INCLUDING DATASHEETS), DESIGN RESOURCES (INCLUDING REFERENCE DESIGNS), APPLICATION OR OTHER DESIGN ADVICE, WEB TOOLS, SAFETY INFORMATION, AND OTHER RESOURCES "AS IS" AND WITH ALL FAULTS, AND DISCLAIMS ALL WARRANTIES, EXPRESS AND IMPLIED, INCLUDING WITHOUT LIMITATION ANY IMPLIED WARRANTIES OF MERCHANTABILITY, FITNESS FOR A PARTICULAR PURPOSE OR NON-INFRINGEMENT OF THIRD PARTY INTELLECTUAL PROPERTY RIGHTS.

These resources are intended for skilled developers designing with TI products. You are solely responsible for (1) selecting the appropriate TI products for your application, (2) designing, validating and testing your application, and (3) ensuring your application meets applicable standards, and any other safety, security, regulatory or other requirements.

These resources are subject to change without notice. TI grants you permission to use these resources only for development of an application that uses the TI products described in the resource. Other reproduction and display of these resources is prohibited. No license is granted to any other TI intellectual property right or to any third party intellectual property right. TI disclaims responsibility for, and you fully indemnify TI and its representatives against any claims, damages, costs, losses, and liabilities arising out of your use of these resources.

TI's products are provided subject to [TI's Terms of Sale](#), [TI's General Quality Guidelines](#), or other applicable terms available either on ti.com or provided in conjunction with such TI products. TI's provision of these resources does not expand or otherwise alter TI's applicable warranties or warranty disclaimers for TI products. Unless TI explicitly designates a product as custom or customer-specified, TI products are standard, catalog, general purpose devices.

TI objects to and rejects any additional or different terms you may propose.

Copyright © 2026, Texas Instruments Incorporated

Last updated 10/2025

OUR CERTIFICATE

DiGi provide top-quality products and perfect service for customer worldwide through standardization, technological innovation and continuous improvement. DiGi through third-party certification, we stricly control the quality of products and services. Welcome your RFQ to

Email: Info@DiGi-Electronics.com



Tel: +00 852-30501935

RFQ Email: Info@DiGi-Electronics.com

DiGi is a global authorized distributor of electronic components.