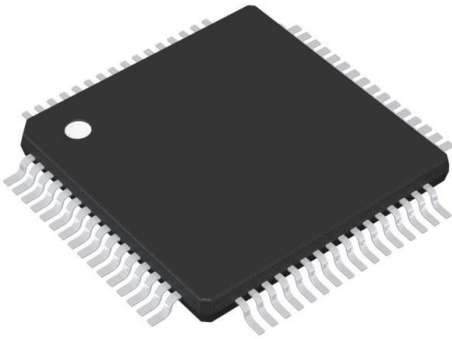


# MSP430FW427IPMR Datasheet

[www.digi-electronics.com](http://www.digi-electronics.com)



MSP430FW427IPMR

<https://www.DiGi-Electronics.com>

DiGi Electronics Part Number	MSP430FW427IPMR-DG
Manufacturer	<a href="#">Texas Instruments</a>
Manufacturer Product Number	MSP430FW427IPMR
Description	IC MCU 16BIT 32KB FLASH 64LQFP
Detailed Description	MSP430 CPU16 MSP430x4xx Microcontroller IC 16-Bit 8MHz 32KB (32K x 8 + 256B) FLASH 64-LQFP (10x10)



Tel: +00 852-30501935

RFQ Email: [Info@DiGi-Electronics.com](mailto:Info@DiGi-Electronics.com)

DiGi is a global authorized distributor of electronic components.

## Purchase and inquiry

Manufacturer Product Number:

MSP430FW427IPMR

Series:

MSP430x4xx

DiGi-Electronics Programmable:

Verified

Core Size:

16-Bit

Connectivity:

-

Number of I/O:

48

Program Memory Type:

FLASH

RAM Size:

1K x 8

Data Converters:

Slope A/D

Operating Temperature:

-40°C ~ 85°C (TA)

Supplier Device Package:

64-LQFP (10x10)

Base Product Number:

MSP430FW427

Manufacturer:

Texas Instruments

Product Status:

Active

Core Processor:

MSP430 CPU16

Speed:

8MHz

Peripherals:

Brown-out Detect/Reset, LCD, POR, PWM, WDT

Program Memory Size:

32KB (32K x 8 + 256B)

EEPROM Size:

-

Voltage - Supply (Vcc/Vdd):

1.8V ~ 3.6V

Oscillator Type:

Internal

Mounting Type:

Surface Mount

Package / Case:

64-LQFP

## Environmental & Export classification

RoHS Status:

ROHS3 Compliant

REACH Status:

REACH Unaffected

HTSUS:

8542.31.0001

Moisture Sensitivity Level (MSL):

3 (168 Hours)

ECCN:

EAR99



## MSP430FW42x Mixed-Signal Microcontroller

### FEATURES

- Low Supply Voltage Range: 1.8 V to 3.6 V
- Ultra-Low-Power Consumption:
  - Active Mode: 200  $\mu$ A at 1 MHz, 2.2 V
  - Standby Mode: 0.7  $\mu$ A
  - Off Mode (RAM Retention): 0.1  $\mu$ A
- Five Power-Saving Modes
- Wake Up From Standby Mode in Less Than 6  $\mu$ s
- Frequency-Locked Loop, FLL+
- 16-Bit RISC Architecture, 125-ns Instruction Cycle Time
- Scan Interface for Background Water, Heat, and Gas Volume Measurement
- 16-Bit Timer\_A With Three Capture/Compare Registers
- 16-Bit Timer\_A With Five Capture/Compare Registers
- Integrated LCD Driver for Up to 96 Segments
- On-Chip Comparator
- Serial Onboard Programming, No External Programming Voltage Needed Programmable Code Protection by Security Fuse
- Brownout Detector
- Supply Voltage Supervisor and Monitor With Programmable Level Detection
- Bootstrap Loader (BSL) in Flash Devices
- Family Members Include:
  - MSP430FW423  
8KB + 256B Flash Memory, 256B RAM
  - MSP430FW425  
16KB + 256B Flash Memory, 512B RAM
  - MSP430FW427  
32KB + 256B Flash Memory, 1KB RAM
  - MSP430FW428  
48KB + 256B Flash Memory, 2KB RAM
  - MSP430FW429  
60KB + 256B Flash Memory, 2KB RAM

- Available in 64-Pin Quad Flat Pack (QFP)
- For Complete Module Descriptions, See the *MSP430x4xx Family User's Guide*, Literature Number [SLAU056](#)

### APPLICATIONS

- Analog Sensor Systems
- Digital Sensor Systems
- Gas, Heat, or Water Meters
- Industrial Meters
- Hand-Held Meters

### DESCRIPTION

The Texas Instruments MSP430™ family of ultra-low-power microcontrollers consists of several devices featuring different sets of peripherals targeted for various applications. The architecture, combined with five low-power modes, is optimized to achieve extended battery life in portable measurement applications. The device features a powerful 16-bit RISC CPU, 16-bit registers, and constant generators that contribute to maximum code efficiency. The digitally controlled oscillator (DCO) allows the device to wake up from low-power modes to active mode in less than 6  $\mu$ s.

The MSP430FW42x series are microcontroller configurations with two built-in 16-bit timers, a comparator, 96 LCD segment drive capability, a scan interface, and 48 I/O pins.

Typical applications include sensor systems that capture analog signals, convert them to digital values, and process the data and transmit them to a host system. The comparator and timers make the configurations ideal for gas, heat, and water meters, industrial meters, counter applications, and hand-held meters.



Please be aware that an important notice concerning availability, standard warranty, and use in critical applications of Texas Instruments semiconductor products and disclaimers thereto appears at the end of this data sheet.

MSP430 is a trademark of Texas Instruments.

**MSP430FW429, MSP430FW428  
MSP430FW427, MSP430FW425, MSP430FW423**

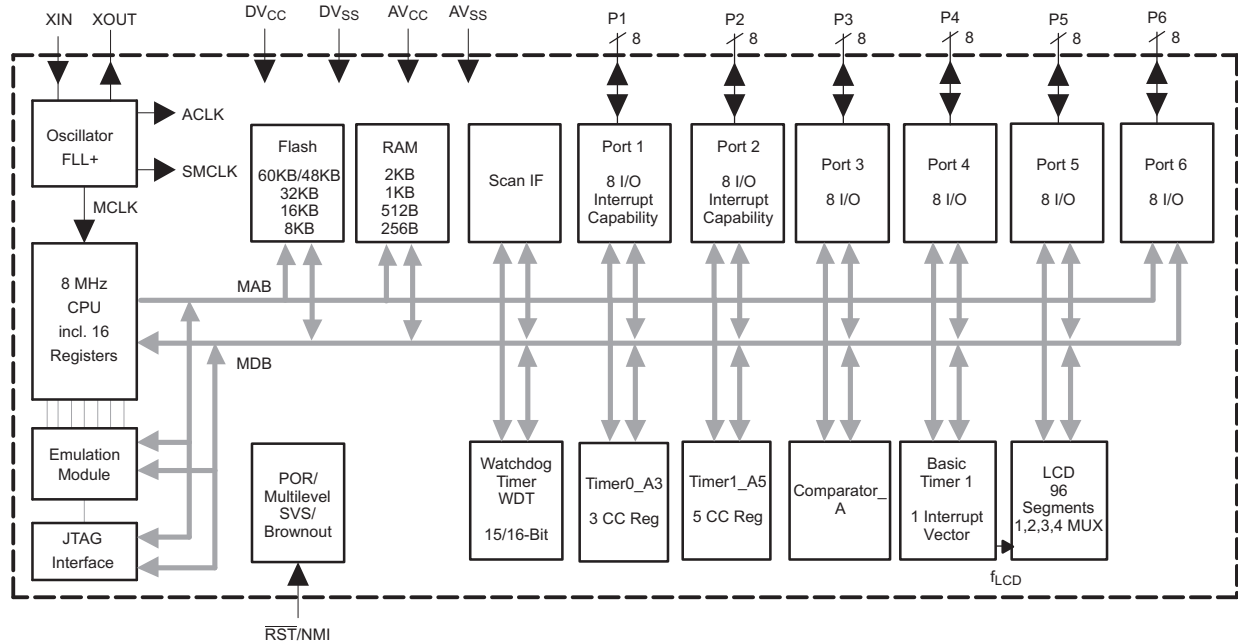
SLAS383E –OCTOBER 2003–REVISED DECEMBER 2013

www.ti.com

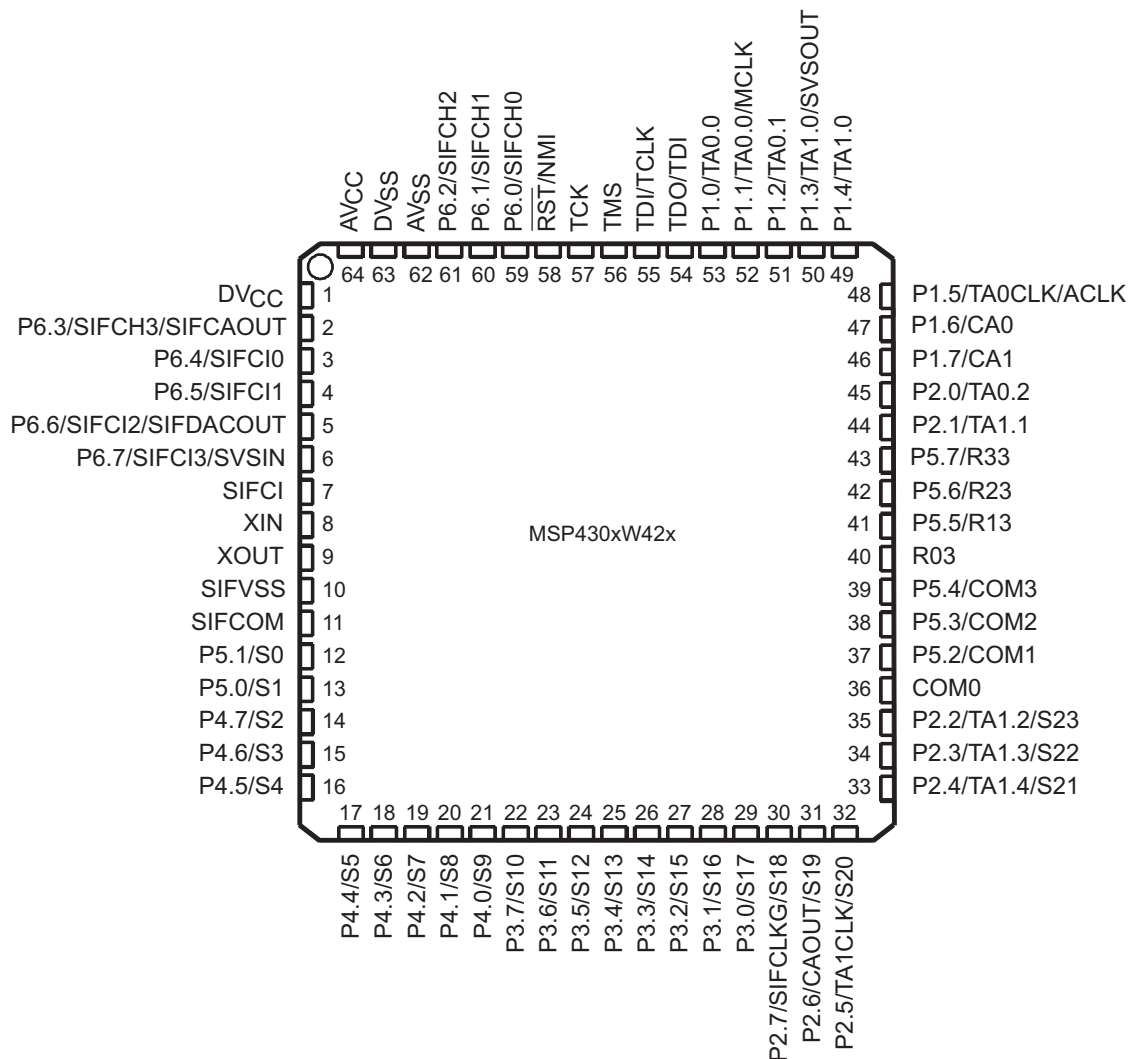


This integrated circuit can be damaged by ESD. Texas Instruments recommends that all integrated circuits be handled with appropriate precautions. Failure to observe proper handling and installation procedures can cause damage.

ESD damage can range from subtle performance degradation to complete device failure. Precision integrated circuits may be more susceptible to damage because very small parametric changes could cause the device not to meet its published specifications.

**Functional Block Diagram**


**Pin Designation**



**MSP430FW429, MSP430FW428  
MSP430FW427, MSP430FW425, MSP430FW423**

SLAS383E – OCTOBER 2003 – REVISED DECEMBER 2013

www.ti.com

**Table 1. Terminal Functions**

TERMINAL		I/O	DESCRIPTION
NAME	NO.		
AV <sub>CC</sub>	64		Analog supply voltage, positive terminal. Supplies SVS, brownout, oscillator, comparator_A, scan IF AFE, port 6, and LCD resistive divider circuitry; must not power up prior to DV <sub>CC</sub> .
AV <sub>SS</sub>	62		Analog supply voltage, negative terminal. Supplies SVS, brownout, oscillator, comparator_A, scan IF AFE, and port 6. Must be externally connected to DV <sub>SS</sub> . Internally connected to DV <sub>SS</sub> .
DV <sub>CC</sub>	1		Digital supply voltage, positive terminal.
DV <sub>SS</sub>	63		Digital supply voltage, negative terminal.
SIFVSS	10		Scan IF AFE reference supply voltage.
P1.0/TA0.0	53	I/O	General-purpose digital I/O Timer0_A. Capture: CCI0A input, compare: Out0 output BSL transmit
P1.1/TA0.0/MCLK	52	I/O	General-purpose digital I/O Timer0_A. Capture: CCI0B input MCLK output BSL receive Note: TA0.0 is only an input on this pin.
P1.2/TA0.1	51	I/O	General-purpose digital I/O Timer0_A, capture: CCI1A input, compare: Out1 output
P1.3/TA1.0/SVSOUT	50	I/O	General-purpose digital I/O Timer1_A, capture: CCI0B input SVS: output of SVS comparator Note: TA1.0 is only an input on this pin.
P1.4/TA1.0	49	I/O	General-purpose digital I/O Timer1_A, capture: CCI0A input, compare: Out0 output
P1.5/TA0CLK/ACLK	48	I/O	General-purpose digital I/O Input of Timer0_A clock Output of ACLK
P1.6/CA0	47	I/O	General-purpose digital I/O Comparator_A input
P1.7/CA1	46	I/O	General-purpose digital I/O Comparator_A input
P2.0/TA0.2	45	I/O	General-purpose digital I/O Timer0_A, capture: CCI2A input, compare: Out2 output
P2.1/TA1.1	44	I/O	General-purpose digital I/O Timer0_A, capture: CCI1A input, compare: Out1 output
P2.2/TA1.2/S23	35	I/O	General-purpose digital I/O Timer1_A, capture: CCI2A input, compare: Out2 output LCD segment output 23 <sup>(1)</sup>
P2.3/TA1.3/S22	34	I/O	General-purpose digital I/O Timer1_A, capture: CCI3A input, compare: Out3 output LCD segment output 22 <sup>(1)</sup>
P2.4/TA1.4/S21	33	I/O	General-purpose digital I/O Timer1_A, capture: CCI4A input, compare: Out4 output LCD segment output 21 <sup>(1)</sup>
P2.5/TA1CLK/S20	32	I/O	General-purpose digital I/O input of Timer1_A clock LCD segment output 20 <sup>(1)</sup>
P2.6/CAOUT/S19	31	I/O	General-purpose digital I/O Comparator_A output LCD segment output 19 <sup>(1)</sup>
P2.7/SIFCLKG/S18	30	I/O	General-purpose digital I/O Scan IF, signal SIFCLKG from internal clock generator LCD segment output 18 <sup>(1)</sup>
P3.0/S17	29	I/O	General-purpose digital I/O LCD segment output 17 <sup>(1)</sup>
P3.1/S16	28	I/O	General-purpose digital I/O LCD segment output 16 <sup>(1)</sup>

(1) LCD function selected automatically when applicable LCD module control bits are set, not with PxSEL bits.

**Table 1. Terminal Functions (continued)**

TERMINAL		I/O	DESCRIPTION
NAME	NO.		
P3.2/S15	27	I/O	General-purpose digital I/O LCD segment output 15 <sup>(1)</sup>
P3.3/S14	26	I/O	General-purpose digital I/O LCD segment output 14 <sup>(1)</sup>
P3.4/S13	25	I/O	General-purpose digital I/O LCD segment output 13 <sup>(1)</sup>
P3.5/S12	24	I/O	General-purpose digital I/O LCD segment output 12 <sup>(1)</sup>
P3.6/S11	23	I/O	General-purpose digital I/O LCD segment output 11 <sup>(1)</sup>
P3.7/S10	22	I/O	General-purpose digital I/O LCD segment output 10 <sup>(1)</sup>
P4.0/S9	21	I/O	General-purpose digital I/O LCD segment output 9 <sup>(1)</sup>
P4.1/S8	20	I/O	General-purpose digital I/O LCD segment output 8 <sup>(2)</sup>
P4.2/S7	19	I/O	General-purpose digital I/O LCD segment output 7 <sup>(2)</sup>
P4.3/S6	18	I/O	General-purpose digital I/O LCD segment output 6 <sup>(2)</sup>
P4.4/S5	17	I/O	General-purpose digital I/O LCD segment output 5 <sup>(2)</sup>
P4.5/S4	16	I/O	General-purpose digital I/O LCD segment output 4 <sup>(2)</sup>
P4.6/S3	15	I/O	General-purpose digital I/O LCD segment output 3 <sup>(2)</sup>
P4.7/S2	14	I/O	General-purpose digital I/O LCD segment output 2 <sup>(2)</sup>
P5.0/S1	13	I/O	General-purpose digital I/O LCD segment output 1 <sup>(2)</sup>
P5.1/S0	12	I/O	General-purpose digital I/O LCD segment output 0 <sup>(2)</sup>
COM0	36	O	Common output. COM0-3 are used for LCD backplanes
P5.2/COM1	37	I/O	General-purpose digital I/O Common output. COM0-3 are used for LCD backplanes
P5.3/COM2	38	I/O	General-purpose digital I/O Common output. COM0-3 are used for LCD backplanes
P5.4/COM3	39	I/O	General-purpose digital I/O Common output. COM0-3 are used for LCD backplanes
R03	40	I	Input port of fourth positive (lowest) analog LCD level (V5)
P5.5/R13	41	I/O	General-purpose digital I/O Input port of third most positive analog LCD level (V4 or V3)
P5.6/R23	42	I/O	General-purpose digital I/O Input port of second most positive analog LCD level (V2)
P5.7/R33	43	I/O	General-purpose digital I/O Output port of most positive analog LCD level (V1)
P6.0/SIFCH0	59	I/O	General-purpose digital I/O Scan IF, channel 0 sensor excitation output and signal input
P6.1/SIFCH1	60	I/O	General-purpose digital I/O Scan IF, channel 1 sensor excitation output and signal input
P6.2/SIFCH2	61	I/O	General-purpose digital I/O Scan IF, channel 2 sensor excitation output and signal input

(2) LCD function selected automatically when applicable LCD module control bits are set, not with PxSEL bits.

**MSP430FW429, MSP430FW428  
MSP430FW427, MSP430FW425, MSP430FW423**

SLAS383E – OCTOBER 2003 – REVISED DECEMBER 2013

www.ti.com

**Table 1. Terminal Functions (continued)**

TERMINAL		I/O	DESCRIPTION
NAME	NO.		
P6.3/SIFCH3/ SIFCAOUT	2	I/O	General-purpose digital I/O Scan IF, channel 3 sensor excitation output and signal input Scan IF comparator output
P6.4/SIFCI0	3	I/O	General-purpose digital I/O Scan IF, channel 0 signal input to comparator
P6.5/SIFCI1	4	I/O	General-purpose digital I/O Scan IF, channel 1 signal input to comparator
P6.6/SIFCI2/ SIFDACOUT	5	I/O	General-purpose digital I/O Scan IF, channel 2 signal input to comparator 10-bit DAC output
P6.7/SIFCI3/SVSIN	6	I/O	General-purpose digital I/O Scan IF, channel 3 signal input to comparator SVS, analog input
SIFCI	7	I	Scan IF input to Comparator.
SIFCOM	11	O	Common termination for Scan IF sensors.
RST/NMI	58	I	Reset input or nonmaskable interrupt input port.
TCK	57	I	Test clock. TCK is the clock input port for device programming and test.
TDI/TCLK	55	I	Test data input or test clock input. The device protection fuse is connected to TDI/TCLK.
TDO/TDI	54	I/O	Test data output port. TDO/TDI data output or programming data input terminal.
TMS	56	I	Test mode select. TMS is used as an input port for device programming and test.
XIN	8	I	Input port for crystal oscillator XT1. Standard or watch crystals can be connected.
XOUT	9	O	Output terminal of crystal oscillator XT1.

## Short-Form Description

### CPU

The MSP430 CPU has a 16-bit RISC architecture that is highly transparent to the application. All operations, other than program-flow instructions, are performed as register operations in conjunction with seven addressing modes for source operand and four addressing modes for destination operand.

The CPU is integrated with 16 registers that provide reduced instruction execution time. The register-to-register operation execution time is one cycle of the CPU clock.

Four of the registers, R0 to R3, are dedicated as program counter, stack pointer, status register, and constant generator, respectively. The remaining registers are general-purpose registers.

Peripherals are connected to the CPU using data, address, and control buses, and can be handled with all instructions.

### Instruction Set

The instruction set consists of the original 51 instructions with three formats and seven address modes. Each instruction can operate on word and byte data. [Table 2](#) shows examples of the three types of instruction formats; [Table 3](#) shows the address modes.

Program Counter	PC/R0
Stack Pointer	SP/R1
Status Register	SR/CG1/R2
Constant Generator	CG2/R3
General-Purpose Register	R4
General-Purpose Register	R5
General-Purpose Register	R6
General-Purpose Register	R7
General-Purpose Register	R8
General-Purpose Register	R9
General-Purpose Register	R10
General-Purpose Register	R11
General-Purpose Register	R12
General-Purpose Register	R13
General-Purpose Register	R14
General-Purpose Register	R15

**Table 2. Instruction Word Formats**

INSTRUCTION FORMAT	EXAMPLE	OPERATION
Dual operands, source-destination	ADD R4,R5	$R4 + R5 \rightarrow R5$
Single operands, destination only	CALL R8	$PC \rightarrow (TOS), R8 \rightarrow PC$
Relative jump, un/conditional	JNE	Jump-on-equal bit = 0

**Table 3. Address Mode Descriptions**

ADDRESS MODE	S <sup>(1)</sup>	D <sup>(1)</sup>	SYNTAX	EXAMPLE	OPERATION
Register	•	•	MOV Rs, Rd	MOV R10, R11	$R10 \rightarrow R11$
Indexed	•	•	MOV X(Rn), Y(Rm)	MOV 2(R5), 6(R6)	$M(2+R5) \rightarrow M(6+R6)$
Symbolic (PC relative)	•	•	MOV EDE, TONI		$M(EDE) \rightarrow M(TONI)$
Absolute	•	•	MOV & MEM, & TCDAT		$M(MEM) \rightarrow M(TCDAT)$
Indirect	•		MOV @Rn, Y(Rm)	MOV @R10, Tab(R6)	$M(R10) \rightarrow M(Tab+R6)$
Indirect autoincrement	•		MOV @Rn+, Rm	MOV @R10+, R11	$M(R10) \rightarrow R11$ $R10 + 2 \rightarrow R10$
Immediate	•		MOV #X, TONI	MOV #45, TONI	$\#45 \rightarrow M(TONI)$

(1) S = source D = destination

**MSP430FW429, MSP430FW428**  
**MSP430FW427, MSP430FW425, MSP430FW423**

SLAS383E – OCTOBER 2003 – REVISED DECEMBER 2013

[www.ti.com](http://www.ti.com)

## Operating Modes

The MSP430 has one active mode and five software-selectable low-power modes of operation. An interrupt event can wake up the device from any of the five low-power modes, service the request, and restore back to the low-power mode on return from the interrupt program.

The following six operating modes can be configured by software:

- Active mode (AM)
  - All clocks are active
- Low-power mode 0 (LPM0)
  - CPU is disabled
  - ACLK and SMCLK remain active, MCLK is available to modules
  - FLL+ loop control remains active
- Low-power mode 1 (LPM1)
  - CPU is disabled
  - ACLK and SMCLK remain active, MCLK is available to modules
  - FLL+ loop control is disabled
- Low-power mode 2 (LPM2)
  - CPU is disabled
  - MCLK, FLL+ loop control, and DCOCLK are disabled
  - DCO's dc-generator remains enabled
  - ACLK remains active
- Low-power mode 3 (LPM3)
  - CPU is disabled
  - MCLK, FLL+ loop control, and DCOCLK are disabled
  - DCO's dc-generator is disabled
  - ACLK remains active
- Low-power mode 4 (LPM4)
  - CPU is disabled
  - ACLK is disabled
  - MCLK, FLL+ loop control, and DCOCLK are disabled
  - DCO's dc-generator is disabled
  - Crystal oscillator is stopped

## Interrupt Vector Addresses

The interrupt vectors and the power-up starting address are located in the address range 0FFFFh to 0FFE0h. The vector contains the 16-bit address of the appropriate interrupt-handler instruction sequence.

**Table 4. Interrupt Sources, Flags, and Vectors**

INTERRUPT SOURCE	INTERRUPT FLAG	SYSTEM INTERRUPT	WORD ADDRESS	PRIORITY
Power-up External Reset Watchdog Flash memory	WDTIFG KEYV <sup>(1)</sup>	Reset	0FFFEh	15, highest
NMI Oscillator Fault Flash memory access violation	NMIIFG OFIFG ACCVIFG <sup>(1)(2)</sup>	(Non)maskable (Non)maskable (Non)maskable	0FFFCh	14
Timer1_A5	TA1CCR0 CCIFG <sup>(3)</sup>	Maskable	0FFFAh	13
Timer1_A5	TA1CCR1 CCIFG to TA1CCR4 CCIFG, TA1CTL TAIFG <sup>(1)(3)</sup>	Maskable	0FFF8h	12
Comparator_A	CMPAIFG	Maskable	0FFF6h	11
Watchdog Timer	WDTIFG	Maskable	0FFF4h	10
Scan IF	SIFIFG0 to SIFIFG6 <sup>(1)</sup>	Maskable	0FFF2h	9
			0FFF0h	8
			0FFEEh	7
Timer0_A3	TA0CCR0 CCIFG <sup>(3)</sup>	Maskable	0FFECCh	6
Timer0_A3	TA0CCR1 CCIFG, TA0CCR2 CCIFG, TA0CTL TAIFG <sup>(1)(2)</sup>	Maskable	0FFEAh	5
I/O port P1 (eight flags)	P1IFG.0 to P1IFG.7 <sup>(1)(2)</sup>	Maskable	0FFE8h	4
			0FFE6h	3
			0FFE4h	2
I/O port P2 (eight flags)	P2IFG.0 to P2IFG.7 <sup>(1)(2)</sup>	Maskable	0FFE2h	1
Basic Timer1	BTIFG	Maskable	0FFE0h	0, lowest

(1) Multiple source flags

(2) (Non)maskable: the individual interrupt-enable bit can disable an interrupt event, but the general interrupt-enable cannot.

(3) Interrupt flags are located in the module.

**MSP430FW429, MSP430FW428  
MSP430FW427, MSP430FW425, MSP430FW423**

SLAS383E – OCTOBER 2003 – REVISED DECEMBER 2013

[www.ti.com](http://www.ti.com)

## Special Function Registers

Most interrupt and module-enable bits are collected in the lowest address space. Special-function register bits not allocated to a functional purpose are not physically present in the device. This arrangement provides simple software access.

### Interrupt Enable 1 and 2

Address	7	6	5	4	3	2	1	0
00h			ACCVIE	NMIIE			OFIE	WDTIE
			rw-0	rw-0			rw-0	rw-0
	7	6	5	4	3	2	1	0
01h	BTIE							
	rw-0							

WDTIE: Watchdog-timer interrupt enable. Inactive if watchdog mode is selected. Active if watchdog timer is configured in interval timer mode.

OFIE: Oscillator-fault-interrupt enable

NMIIE: Nonmaskable-interrupt enable

ACCVIE: Flash access violation interrupt enable

BTIE: Basic Timer1 interrupt enable

### Interrupt Flag Register 1 and 2

Address	7	6	5	4	3	2	1	0
02h				NMIIFG			OFIFG	WDTIFG
				rw-0			rw-1	rw-(0)
	7	6	5	4	3	2	1	0
03h	BTIFG							
	rw-0							

WDTIFG: Set on watchdog timer overflow (in watchdog mode) or security key violation. Reset on  $V_{CC}$  power up or a reset condition at the  $\overline{RST}/NMI$  pin in reset mode

OFIFG: Flag set on oscillator fault

NMIIFG: Set via  $\overline{RST}/NMI$  pin

BTIFG: Basic Timer1 interrupt flag


### Module Enable Registers 1 and 2

Address	7	6	5	4	3	2	1	0
04h/05h								

**Legend** rw: Bit can be Read and Written.

rw-0,1: Bit can be Read and Written. It is Reset or Set by PUC.

rw-(0,1): Bit can be Read and Written. It is Reset or Set by POR.

 SFR bit is not present in device

## Memory Organization

**Table 5. Memory Organization**

		<b>MSP430FW423</b>	<b>MSP430FW425</b>	<b>MSP430FW427</b>	<b>MSP430FW428</b>	<b>MSP430FW429</b>
Memory	Size	8KB	16KB	32KB	48KB	60KB
Interrupt vector	Flash	0FFFFh-0FFE0h	0FFFFh-0FFE0h	0FFFFh-0FFE0h	0FFFFh-0FFE0h	0FFFFh-0FFE0h
Code memory	Flash	0FFFFh - 0E000h	0FFFFh-0C000h	0FFFFh-08000h	0FFFFh-04000h	0FFFFh-01100h
Information memory	Size	256 Byte	256 Byte	256 Byte	256 Byte	256 Byte
		010FFh-01000h	010FFh-01000h	010FFh-01000h	010FFh-01000h	010FFh-01000h
Boot memory	Size	1KB	1KB	1KB	1KB	1KB
		0FFFh-0C00h	0FFFh-0C00h	0FFFh-0C00h	0FFFh-0C00h	0FFFh-0C00h
RAM	Size	256 Byte	512 Byte	1KB	2KB	2KB
		02FFh-0200h	03FFh-0200h	05FFh-0200h	09FFh-0200h	09FFh-0200h
Peripherals	16-bit	01FFh-0100h	01FFh - 0100h	01FFh-0100h	01FFh-0100h	01FFh-0100h
	8-bit	0FFh-010h	0FFh-010h	0FFh-010h	0FFh-010h	0FFh-010h
	8-bit SFR	0Fh-00h	0Fh-00h	0Fh - 00h	0Fh-00h	0Fh-00h

## Bootstrap Loader (BSL)

The MSP430 bootstrap loader (BSL) enables users to program the flash memory or RAM using a UART serial interface. Access to the MSP430 memory via the BSL is protected by user-defined password. For complete description of the features of the BSL and its implementation, see the *MSP430 Programming Via the Bootstrap Loader User's Guide* ([SLAU319](#)).

<b>BSL FUNCTION</b>	<b>PM PACKAGE PINS</b>
Data Transmit	53 - P1.0
Data Receiver	52 - P1.1

**MSP430FW429, MSP430FW428  
MSP430FW427, MSP430FW425, MSP430FW423**

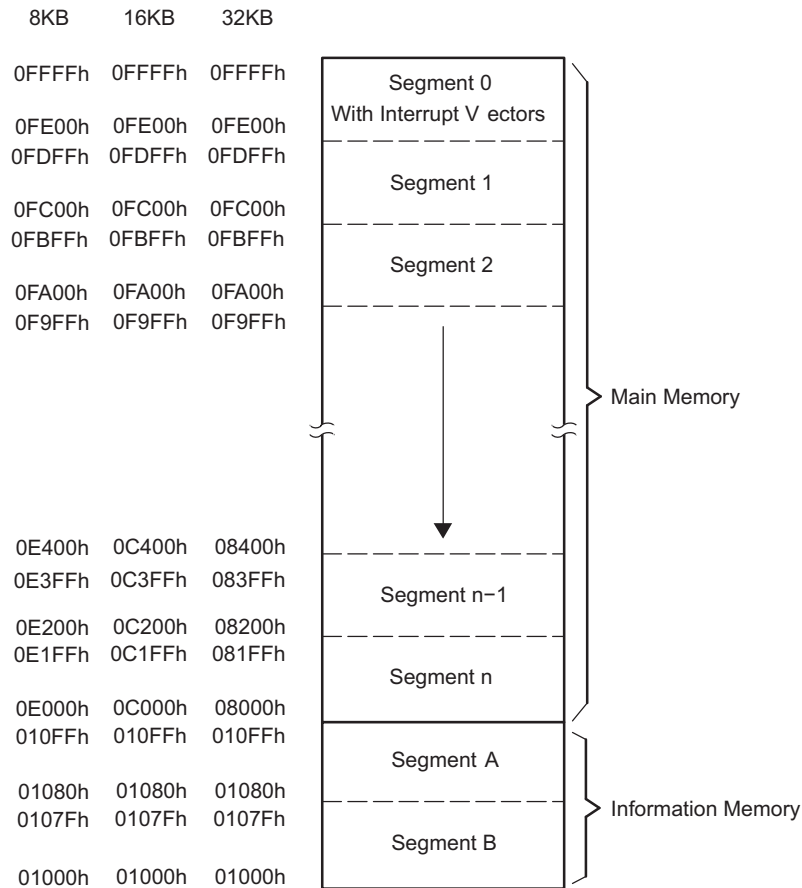
SLAS383E –OCTOBER 2003–REVISED DECEMBER 2013

www.ti.com

## Flash Memory

The flash memory can be programmed via the JTAG port, the bootstrap loader, or in system by the CPU. The CPU can perform single-byte and single-word writes to the flash memory. Features of the flash memory include:

- Flash memory has n segments of main memory and two segments of information memory (A and B) of 128 bytes each. Each segment in main memory is 512 bytes in size.
- Segments 0 to n may be erased in one step, or each segment may be individually erased.
- Segments A and B can be erased individually, or as a group with segments 0 to n. Segments A and B are also called *information memory*.
- New devices may have some bytes programmed in the information memory (needed for test during manufacturing). The user should perform an erase of the information memory prior to the first use.



## Peripherals

Peripherals are connected to the CPU through data, address, and control buses and can be handled using all instructions. For complete module descriptions, refer to the *MSP430x4xx Family User's Guide (SLAU056)*.

### Oscillator and System Clock

The clock system is supported by the FLL+ module that includes support for a 32768-Hz watch crystal oscillator, an internal digitally controlled oscillator (DCO), and a high-frequency crystal oscillator. The FLL+ clock module is designed to meet the requirements of both low system cost and low power consumption. The FLL+ features digital frequency locked loop (FLL) hardware that, in conjunction with a digital modulator, stabilizes the DCO frequency to a programmable multiple of the watch crystal frequency. The internal DCO provides a fast turn-on clock source and stabilizes in less than 6  $\mu$ s. The FLL+ module provides the following clock signals:

- Auxiliary clock (ACLK), sourced from a 32768-Hz watch crystal or a high frequency crystal.
- Main clock (MCLK), the system clock used by the CPU.
- Sub-Main clock (SMCLK), the subsystem clock used by the peripheral modules.
- ACLK/n, the buffered output of ACLK, ACLK/2, ACLK/4, or ACLK/8.

### Brownout, Supply Voltage Supervisor (SVS)

The brownout circuit is implemented to provide the proper internal reset signal to the device during power-on and power-off. The SVS circuitry detects if the supply voltage drops below a user-selectable level and supports both supply voltage supervision (the device is automatically reset) and supply voltage monitoring (the device is not automatically reset).

The CPU begins code execution after the brownout circuit releases the device reset. However,  $V_{CC}$  may not have ramped to  $V_{CC(min)}$  at that time. The user must insure the default FLL+ settings are not changed until  $V_{CC}$  reaches  $V_{CC(min)}$ . If desired, the SVS circuit can be used to determine when  $V_{CC}$  reaches  $V_{CC(min)}$ .

### Digital I/O

There are six 8-bit I/O ports implemented—ports P1 through P6:

- All individual I/O bits are independently programmable.
- Any combination of input, output, and interrupt conditions is possible.
- Edge-selectable interrupt input capability for all the eight bits of ports P1 and P2.
- Read/write access to port-control registers is supported by all instructions.

### Basic Timer1

The Basic Timer1 has two independent 8-bit timers that can be cascaded to form a 16-bit timer/counter. Both timers can be read and written by software. The Basic Timer1 can be used to generate periodic interrupts and clock for the LCD module.

### LCD Drive

The LCD driver generates the segment and common signals required to drive an LCD display. The LCD controller has dedicated data memory to hold segment drive information. Common and segment signals are generated as defined by the mode. Static, 2-MUX, 3-MUX, and 4-MUX LCDs are supported by this peripheral.

### Watchdog Timer (WDT)

The primary function of the WDT module is to perform a controlled system restart after a software problem occurs. If the selected time interval expires, a system reset is generated. If the watchdog function is not needed in an application, the module can be configured as an interval timer and can generate interrupts at selected time intervals.

### Comparator\_A

The primary function of the Comparator\_A module is to support precision slope analog-to-digital conversions, battery-voltage supervision, and monitoring of external analog signals.

**MSP430FW429, MSP430FW428  
MSP430FW427, MSP430FW425, MSP430FW423**

SLAS383E – OCTOBER 2003 – REVISED DECEMBER 2013

www.ti.com

## Scan Interface

The scan interface is used to measure linear or rotational motion and supports LC and resistive sensors such as GMR sensors. The scan IF incorporates a  $V_{CC}/2$  generator, a comparator, and a 10-bit DAC and supports up to four sensors.

## Timer0\_A3

Timer0\_A3 is a 16-bit timer/counter with three capture/compare registers. Timer\_A3 can support multiple capture/compares, PWM outputs, and interval timing. Timer0\_A3 also has extensive interrupt capabilities. Interrupts may be generated from the counter on overflow conditions and from each of the capture/compare registers.

**Table 6. Timer0\_A3 Signal Connections**

INPUT PIN NUMBER	DEVICE INPUT SIGNAL	MODULE INPUT NAME	MODULE BLOCK	MODULE OUTPUT SIGNAL	OUTPUT PIN NUMBER
48 - P1.5	TA0CLK	TACLK	Timer	NA	
	ACLK	ACLK			
	SMCLK	SMCLK			
48 - P1.5	TA0CLK	INCLK	CCR0	TA0.0	
53 - P1.0	TA0.0	CCI0A			53 - P1.0
52 - P1.1	TA0.0	CCI0B			
	DV <sub>SS</sub>	GND			
	DV <sub>CC</sub>	V <sub>CC</sub>			
51 - P1.2	TA0.1	CCI1A	CCR1	TA0.1	51 - P1.2
	CAOUT (internal)	CCI1B			
	DV <sub>SS</sub>	GND			
	DV <sub>CC</sub>	V <sub>CC</sub>			
45 - P2.0	TA0.2	CCI2A	CCR2	TA0.2	45 - P2.0
	ACLK (internal)	CCI2B			
	DV <sub>SS</sub>	GND			
	DV <sub>CC</sub>	V <sub>CC</sub>			

**Timer1\_A5**

Timer1\_A5 is a 16-bit timer/counter with five capture/compare registers. Timer1\_A5 can support multiple capture/compares, PWM outputs, and interval timing. Timer1\_A5 also has extensive interrupt capabilities. Interrupts may be generated from the counter on overflow conditions and from each of the capture/compare registers.

**Table 7. Timer1\_A5 Signal Connections**

INPUT PIN NUMBER	DEVICE INPUT SIGNAL	MODULE INPUT NAME	MODULE BLOCK	MODULE OUTPUT SIGNAL	OUTPUT PIN NUMBER
32 - P2.5	TA1CLK	TACLK	Timer	NA	
	ACLK	ACLK			
	SMCLK	SMCLK			
32 - P2.5	TA1CLK	INCLK			
49 - P1.4	TA1.0	CCI0A	CCR0	TA1.0	49 - P1.4
50 - P1.3	TA1.0	CCI0B			
	DV <sub>SS</sub>	GND			
	DV <sub>CC</sub>	V <sub>CC</sub>			
44 - P2.1	TA1.1	CCI1A	CCR1	TA1.1	44 - P2.1
	CAOUT (internal)	CCI1B			
	DV <sub>SS</sub>	GND			
	DV <sub>CC</sub>	V <sub>CC</sub>			
35 - P2.2	TA1.2	CCI2A	CCR2	TA1.2	35 - P2.2
	SIFO0sig (internal)	CCI2B			
	DV <sub>SS</sub>	GND			
	DV <sub>CC</sub>	V <sub>CC</sub>			
34 - P2.3	TA1.3	CCI3A	CCR3	TA1.3	34 - P2.3
	SIFO1sig (internal)	CCI3B			
	DV <sub>SS</sub>	GND			
	DV <sub>CC</sub>	V <sub>CC</sub>			
33 - P2.4	TA1.4	CCI4A	CCR4	TA1.4	33 - P2.4
	SIFO2sig (internal)	CCI4B			
	DV <sub>SS</sub>	GND			
	DV <sub>CC</sub>	V <sub>CC</sub>			

**MSP430FW429, MSP430FW428  
MSP430FW427, MSP430FW425, MSP430FW423**

SLAS383E – OCTOBER 2003 – REVISED DECEMBER 2013

www.ti.com

**Peripheral File Map**
**Table 8. Peripherals With Word Access**

MODULE	REGISTER NAME	ACRONYM	ADDRESS
Watchdog	Watchdog Timer control	WDTCTL	0120h
Timer1_A5	Timer1_A interrupt vector	TA1IV	011Eh
	Timer1_A control	TA1CTL	0180h
	Capture/compare control 0	TA1CCTL0	0182h
	Capture/compare control 1	TA1CCTL1	0184h
	Capture/compare control 2	TA1CCTL2	0186h
	Capture/compare control 3	TA1CCTL3	0188h
	Capture/compare control 4	TA1CCTL4	018Ah
	Reserved		018Ch
	Reserved		018Eh
	Timer1_A register	TA1R	0190h
	Capture/compare register 0	TA1CCR0	0192h
	Capture/compare register 1	TA1CCR1	0194h
	Capture/compare register 2	TA1CCR2	0196h
	Capture/compare register 3	TA1CCR3	0198h
	Capture/compare register 4	TA1CCR4	019Ah
	Reserved		019Ch
	Reserved		019Eh
Timer0_A3	Timer0_A interrupt vector	TA0IV	012Eh
	Timer0_A control	TA0CTL0	0160h
	Capture/compare control 0	TA0CCTL0	0162h
	Capture/compare control 1	TA0CCTL1	0164h
	Capture/compare control 2	TA0CCTL2	0166h
	Reserved		0168h
	Reserved		016Ah
	Reserved		016Ch
	Reserved		016Eh
	Timer0_A register	TA0R	0170h
	Capture/compare register 0	TA0CCR0	0172h
	Capture/compare register 1	TA0CCR1	0174h
	Capture/compare register 2	TA0CCR2	0176h
	Reserved		0178h
	Reserved		017Ah
	Reserved		017Ch
	Reserved		017Eh
Flash	Flash control 3	FCTL3	012Ch
	Flash control 2	FCTL2	012Ah
	Flash control 1	FCTL1	0128h

**Table 8. Peripherals With Word Access (continued)**

MODULE	REGISTER NAME	ACRONYM	ADDRESS
Scan IF	SIF timing state machine 23	SIFTSM23	01FEh
	⋮	⋮	⋮
	SIF timing state machine 0	SIFTSM0	01D0h
	SIF DAC register 7	SIFDACR7	01CEh
	⋮	⋮	⋮
	SIF DAC register 0	SIFDACR0	01C0h
	SIF control register 5	SIFCTL5	01BEh
	SIF control register 4	SIFCTL4	01BCh
	SIF control register 3	SIFCTL3	01BAh
	SIF control register 2	SIFCTL2	01B8h
	SIF control register 1	SIFCTL1	01B6h
	SIF processing state machine vector	SIFPSMV	01B4h
	SIF counter CNT1/2	SIFCNT	01B2h
	Reserved	SIFDEBUG	01B0h

**Table 9. Peripherals With Byte Access**

MODULE	REGISTER NAME	ACRONYM	ADDRESS
LCD	LCD memory 20	LCDM20	0A4h
	⋮	⋮	⋮
	LCD memory 16	LCDM16	0A0h
	LCD memory 15	LCDM15	09Fh
	⋮	⋮	⋮
	LCD memory 1	LCDM1	091h
	LCD control and mode	LCDCTL	090h
Comparator_A	Comparator_A port disable	CAPD	05Bh
	Comparator_A control 2	CACTL2	05Ah
	Comparator_A control 1	CACTL1	059h
Brownout, SVS	SVS control register	SVSCTL	056h
FLL+ Clock	FLL+ Control 1	FLL_CTL1	054h
	FLL+ Control 0	FLL_CTL0	053h
	System clock frequency control	SCFQCTL	052h
	System clock frequency integrator	SCFI1	051h
	System clock frequency integrator	SCFI0	050h
Basic Timer1	BT counter 2	BTCNT2	047h
	BT counter 1	BTCNT1	046h
	BT control	BTCTL	040h
Port P6	Port P6 selection	P6SEL	037h
	Port P6 direction	P6DIR	036h
	Port P6 output	P6OUT	035h
	Port P6 input	P6IN	034h
Port P5	Port P5 selection	P5SEL	033h
	Port P5 direction	P5DIR	032h
	Port P5 output	P5OUT	031h
	Port P5 input	P5IN	030h

**MSP430FW429, MSP430FW428  
MSP430FW427, MSP430FW425, MSP430FW423**

SLAS383E – OCTOBER 2003 – REVISED DECEMBER 2013

[www.ti.com](http://www.ti.com)**Table 9. Peripherals With Byte Access (continued)**

MODULE	REGISTER NAME	ACRONYM	ADDRESS
Port P4	Port P4 selection	P4SEL	01Fh
	Port P4 direction	P4DIR	01Eh
	Port P4 output	P4OUT	01Dh
	Port P4 input	P4IN	01Ch
Port P3	Port P3 selection	P3SEL	01Bh
	Port P3 direction	P3DIR	01Ah
	Port P3 output	P3OUT	019h
	Port P3 input	P3IN	018h
Port P2	Port P2 selection	P2SEL	02Eh
	Port P2 interrupt enable	P2IE	02Dh
	Port P2 interrupt-edge select	P2IES	02Ch
	Port P2 interrupt flag	P2IFG	02Bh
	Port P2 direction	P2DIR	02Ah
	Port P2 output	P2OUT	029h
	Port P2 input	P2IN	028h
Port P1	Port P1 selection	P1SEL	026h
	Port P1 interrupt enable	P1IE	025h
	Port P1 interrupt-edge select	P1IES	024h
	Port P1 interrupt flag	P1IFG	023h
	Port P1 direction	P1DIR	022h
	Port P1 output	P1OUT	021h
	Port P1 input	P1IN	020h
Special Functions	SFR module enable 2	ME2	005h
	SFR module enable 1	ME1	004h
	SFR interrupt flag 2	IFG2	003h
	SFR interrupt flag 1	IFG1	002h
	SFR interrupt enable 2	IE2	001h
	SFR interrupt enable 1	IE1	000h

## Absolute Maximum Ratings<sup>(1)</sup>

over operating free-air temperature range (unless otherwise noted)

Voltage applied at $V_{CC}$ to $V_{SS}$		-0.3 V to 4.1 V
Voltage applied to any pin <sup>(2)</sup>		-0.3 V to $V_{CC} + 0.3$ V
Diode current at any device terminal		$\pm 2$ mA
Storage temperature range, $T_{stg}$	Unprogrammed device	-55°C to 150°C
	Programmed device	-40°C to 85°C

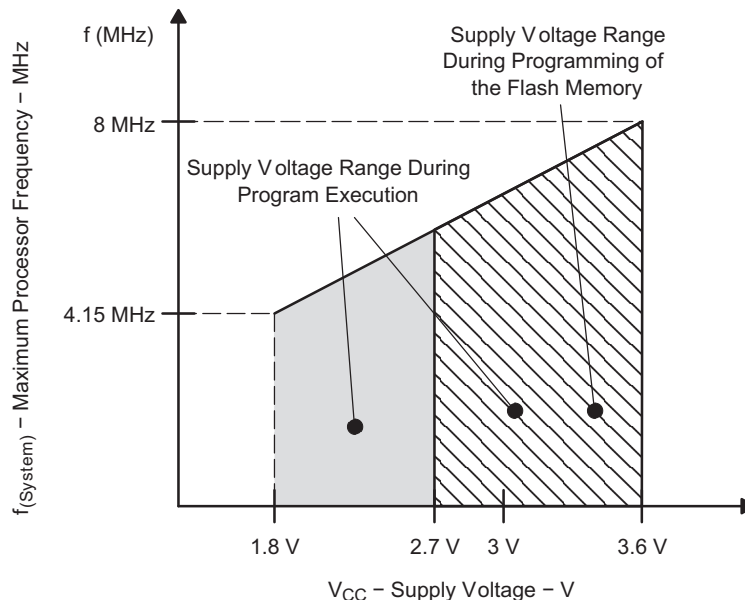
- Stresses beyond those listed under "absolute maximum ratings" may cause permanent damage to the device. These are stress ratings only, and functional operation of the device at these or any other conditions beyond those indicated under "recommended operating conditions" is not implied. Exposure to absolute-maximum-rated conditions for extended periods may affect device reliability.
- All voltages referenced to  $V_{SS}$ . The JTAG fuse-blow voltage,  $V_{FB}$ , is allowed to exceed the absolute maximum rating. The voltage is applied to the TDI/TCLK pin when blowing the JTAG fuse.

## Recommended Operating Conditions

Typical values are specified at  $V_{CC} = 3.3$  V and  $T_A = 25^\circ\text{C}$  (unless otherwise noted)

			MIN	NOM	MAX	UNIT	
$V_{CC}$	Supply voltage during program execution <sup>(1)</sup> ( $AV_{CC} = DV_{CC1} = DV_{CC2} = V_{CC}$ )		1.8		3.6	V	
$V_{CC}$	Supply voltage during program execution, SVS enabled, PORON = 1 <sup>(1)</sup> <sup>(2)</sup> ( $AV_{CC} = DV_{CC1} = DV_{CC2} = V_{CC}$ )		2		3.6	V	
$V_{CC}$	Supply voltage during flash memory programming <sup>(1)</sup> ( $AV_{CC} = DV_{CC1} = DV_{CC2} = V_{CC}$ )		2.7		3.6	V	
$V_{SS}$	Supply voltage ( $AV_{SS} = DV_{SS1} = DV_{SS2} = V_{SS}$ )		0		0	V	
$T_A$	Operating free-air temperature range		-40		85	°C	
$f_{(LFXT1)}$	LFXT1 crystal frequency <sup>(3)</sup>	LF selected, $XTS\_FLL = 0$	Watch crystal		32.768	kHz	
		XT1 selected, $XTS\_FLL = 1$	Ceramic resonator		450		8000
		XT1 selected, $XTS\_FLL = 1$	Crystal		1000		8000
$f_{(System)}$	Processor frequency (signal MCLK)	$V_{CC} = 1.8$ V	DC		4.15	MHz	
		$V_{CC} = 3.6$ V	DC		8		

- It is recommended to power  $AV_{CC}$  and  $DV_{CC}$  from the same source. A maximum difference of 0.3 V between  $AV_{CC}$  and  $DV_{CC}$  can be tolerated during power up and operation.
- The minimum operating supply voltage is defined according to the trip point where POR is going active by decreasing the supply voltage. POR is going inactive when the supply voltage is raised above the minimum supply voltage plus the hysteresis of the SVS circuitry.
- In LF mode, the LFXT1 oscillator requires a watch crystal. In XT1 mode, LFXT1 accepts a ceramic resonator or a crystal.



**Figure 1. Maximum Frequency vs Supply Voltage**

**MSP430FW429, MSP430FW428  
MSP430FW427, MSP430FW425, MSP430FW423**

SLAS383E –OCTOBER 2003–REVISED DECEMBER 2013

www.ti.com

**Electrical Characteristics**
**Supply Current Into  $AV_{CC} + DV_{CC}$  Excluding External Current (FW423, FW425, FW427)<sup>(1)</sup>**

over recommended operating free-air temperature range (unless otherwise noted)

PARAMETER		$T_A$	$V_{CC}$	MIN	TYP	MAX	UNIT
$I_{(AM)}$	Active mode (AM) $f_{(MCLK)} = f_{(SMCLK)} = f_{(DCO)} = 1 \text{ MHz}$ , $f_{(ACLK)} = 32768 \text{ Hz}$ , $XTS\_FLL = 0$	-40°C to 85°C	2.2 V		200	250	$\mu\text{A}$
			3 V		300	350	
$I_{(LPM0)}$	Low-power mode 0 (LPM0) <sup>(2)</sup> $f_{(MCLK)} = f_{(SMCLK)} = f_{(DCO)} = 1 \text{ MHz}$ , $f_{(ACLK)} = 32768 \text{ Hz}$ , $XTS\_FLL = 0$ , $FN\_8 = FN\_4 = FN\_3 = FN\_2 = 0$	-40°C to 85°C	2.2 V		57	70	$\mu\text{A}$
			3 V		92	100	
$I_{(LPM2)}$	Low-power mode 2 (LPM2) <sup>(2)</sup>	-40°C to 85°C	2.2 V		11	14	$\mu\text{A}$
			3 V		17	22	
$I_{(LPM3)}$	Low-power mode 3 (LPM3) <sup>(3)(2)</sup>	-40°C	2.2 V		0.95	1.4	$\mu\text{A}$
					0.8	1.3	
					0.7	1.2	
					0.95	1.4	
					1.6	2.3	
		-40°C	3 V		1.1	1.7	
					1	1.6	
					0.9	1.5	
					1.1	1.7	
					2	2.6	
$I_{(LPM4)}$	Low-power mode (LPM4) <sup>(2)</sup>	-40°C	2.2 V, 3 V		0.1	0.5	$\mu\text{A}$
					0.1	0.5	
					0.8	2.5	

(1) All inputs are tied to 0 V or  $V_{CC}$ . Outputs do not source or sink any current. The current consumption is measured with active Basic Timer1 and LCD (ACLK selected). The current consumption of the Comparator\_A and the SVS module are specified in the respective sections.

(2) Current consumption for brownout included.

(3) The LPM3 currents are characterized with a KDS Daishinku DT-38 (6 pF) crystal.

**Supply Current Into AV<sub>CC</sub> + DV<sub>CC</sub> Excluding External Current (FW428, FW429)<sup>(1)</sup>**

over recommended operating free-air temperature range (unless otherwise noted)

PARAMETER		T <sub>A</sub>	V <sub>CC</sub>	MIN	TYP	MAX	UNIT	
I <sub>(AM)</sub>	Active mode (AM) f <sub>(MCLK)</sub> = f <sub>(SMCLK)</sub> = f <sub>(DCO)</sub> = 1 MHz, f <sub>(ACLK)</sub> = 32768 Hz, XTS_FLL = 0	-40°C to 85°C	2.2 V		210	290	μA	
			3 V		320	390		
I <sub>(LPM0)</sub>	Low-power mode 0 (LPM0) <sup>(2)</sup> f <sub>(MCLK)</sub> = f <sub>(SMCLK)</sub> = f <sub>(DCO)</sub> = 1 MHz, f <sub>(ACLK)</sub> = 32768 Hz, XTS_FLL = 0, FN_8 = FN_4 = FN_3 = FN_2 = 0	-40°C to 85°C	2.2 V		60	75	μA	
			3 V		95	110		
I <sub>(LPM2)</sub>	Low-power mode 2 (LPM2) <sup>(2)</sup>	-40°C to 85°C	2.2 V		11	14	μA	
			3 V		17	22		
I <sub>(LPM3)</sub>	Low-power mode 3 (LPM3) <sup>(3)(2)</sup>	-40°C to 85°C	2.2 V	-40°C		0.95	1.4	μA
				-10°C		0.8	1.3	
				25°C		0.7	1.5	
				60°C		1.0	1.9	
				85°C		1.7	2.9	
		-40°C to 85°C	3 V	-40°C		1.1	1.7	μA
				-10°C		1.0	1.6	
				25°C		0.9	1.85	
				60°C		1.3	2.6	
				85°C		2.1	3.9	
I <sub>(LPM4)</sub>	Low-power mode (LPM4) <sup>(2)</sup>	-40°C to 85°C	2.2 V, 3 V	-40°C		0.1	0.5	μA
				25°C		0.15	0.5	
				85°C		1.3	2.5	

(1) All inputs are tied to 0 V or V<sub>CC</sub>. Outputs do not source or sink any current. The current consumption is measured with active Basic Timer1 and LCD (ACLK selected). The current consumption of the Comparator\_A and the SVS module are specified in the respective sections.

(2) Current consumption for brownout included.

(3) The LPM3 currents are characterized with a KDS Daishinku DT-38 (6 pF) crystal.

**Current consumption of active mode versus system frequency**

$$I_{(AM)} = I_{(AM)} [1 \text{ MHz}] \times f_{(\text{System})} [\text{MHz}]$$

**Current consumption of active mode versus supply voltage**

$$I_{(AM)} = I_{(AM)} [3 \text{ V}] + 140 \mu\text{A/V} \times (V_{CC} - 3 \text{ V})$$

**MSP430FW429, MSP430FW428  
MSP430FW427, MSP430FW425, MSP430FW423**

SLAS383E – OCTOBER 2003 – REVISED DECEMBER 2013

www.ti.com

**Schmitt-Trigger Inputs – Ports (P1, P2, P3, P4, P5, P6),  $\overline{RST}/NMI$ , JTAG (TCK, TMS, TDI/TCLK)**

over recommended operating free-air temperature range (unless otherwise noted)

PARAMETER		TEST CONDITIONS	MIN	TYP	MAX	UNIT
$V_{IT+}$	Positive-going input threshold voltage	$V_{CC} = 2.2\text{ V}$	1.1		1.5	V
		$V_{CC} = 3\text{ V}$	1.5		1.9	
$V_{IT-}$	Negative-going input threshold voltage	$V_{CC} = 2.2\text{ V}$	0.4		0.9	V
		$V_{CC} = 3\text{ V}$	0.9		1.3	
$V_{hys}$	Input voltage hysteresis ( $V_{IT+} - V_{IT-}$ )	$V_{CC} = 2.2\text{ V}$	0.3		1.1	V
		$V_{CC} = 3\text{ V}$	0.45		1	

**Inputs Px.x, TAx.x**

PARAMETER		TEST CONDITIONS	$V_{CC}$	MIN	TYP	MAX	UNIT
$t_{(int)}$	External interrupt timing	Port P1, P2: P1.x to P2.x, external trigger signal for the interrupt flag <sup>(1)</sup>	2.2 V, 3 V	1.5			cycle
			2.2 V	62			ns
			3 V	50			
$t_{(cap)}$	Timer_A capture timing	TAx x	2.2 V	62			ns
			3 V	50			
$f_{(TAext)}$	Timer_A clock frequency externally applied to pin	TAxCLK, INCLK $t_{(H)} = t_{(L)}$	2.2 V			8	MHz
			3 V			10	
$f_{(TAint)}$	Timer_A clock frequency	SMCLK or ACLK signal selected	2.2 V			8	MHz
			3 V			10	

(1) The external signal sets the interrupt flag every time the minimum  $t_{(int)}$  parameters are met. It may be set even with trigger signals shorter than  $t_{(int)}$ . Both the cycle and timing specifications must be met to ensure the flag is set.  $t_{(int)}$  is measured in MCLK cycles.

**Leakage Current – Ports (P1, P2, P3, P4, P5, P6)<sup>(1)</sup>**

PARAMETER		TEST CONDITIONS	MIN	TYP	MAX	UNIT
$I_{lkg}(Px.x)$	Leakage current	Port P1.x Port x: $V_{(Px.x)}$ <sup>(2)</sup> , $V_{CC} = 2.2\text{ V}, 3\text{ V}$			±50	nA

(1) The leakage current is measured with  $V_{SS}$  or  $V_{CC}$  applied to the corresponding pins, unless otherwise noted.

(2) The port pin must be selected as input.

## Outputs – Ports (P1, P2, P3, P4, P5, P6)

over recommended operating free-air temperature range (unless otherwise noted)

PARAMETER		TEST CONDITIONS		MIN	TYP	MAX	UNIT
V <sub>OH</sub>	High-level output voltage	I <sub>OH(max)</sub> = -1.5 mA,	V <sub>CC</sub> = 2.2 V <sup>(1)</sup>	V <sub>CC</sub> - 0.25		V <sub>CC</sub>	V
		I <sub>OH(max)</sub> = -6 mA,	V <sub>CC</sub> = 2.2 V <sup>(2)</sup>	V <sub>CC</sub> - 0.6		V <sub>CC</sub>	
		I <sub>OH(max)</sub> = -1.5 mA,	V <sub>CC</sub> = 3 V <sup>(1)</sup>	V <sub>CC</sub> - 0.25		V <sub>CC</sub>	
		I <sub>OH(max)</sub> = -6 mA,	V <sub>CC</sub> = 3 V <sup>(2)</sup>	V <sub>CC</sub> - 0.6		V <sub>CC</sub>	
V <sub>OL</sub>	Low-level output voltage	I <sub>OL(max)</sub> = 1.5 mA,	V <sub>CC</sub> = 2.2 V <sup>(1)</sup>	V <sub>SS</sub>		V <sub>SS</sub> + 0.25	V
		I <sub>OL(max)</sub> = 6 mA,	V <sub>CC</sub> = 2.2 V <sup>(2)</sup>	V <sub>SS</sub>		V <sub>SS</sub> + 0.6	
		I <sub>OL(max)</sub> = 1.5 mA,	V <sub>CC</sub> = 3 V <sup>(1)</sup>	V <sub>SS</sub>		V <sub>SS</sub> + 0.25	
		I <sub>OL(max)</sub> = 6 mA,	V <sub>CC</sub> = 3 V <sup>(2)</sup>	V <sub>SS</sub>		V <sub>SS</sub> + 0.6	

- (1) The maximum total current, I<sub>OH(max)</sub> and I<sub>OL(max)</sub>, for all outputs combined, should not exceed ±12 mA to satisfy the maximum specified voltage drop.
- (2) The maximum total current, I<sub>OH(max)</sub> and I<sub>OL(max)</sub>, for all outputs combined, should not exceed ±48 mA to satisfy the maximum specified voltage drop.

## Output Frequency

over recommended operating free-air temperature range (unless otherwise noted)

PARAMETER		TEST CONDITIONS		MIN	TYP	MAX	UNIT
f <sub>(Px.y)</sub>	(1 ≤ x ≤ 6, 0 ≤ y ≤ 7)	C <sub>L</sub> = 20 F, I <sub>L</sub> = ±1.5 mA	V <sub>CC</sub> = 2.2 V	dc		10	MHz
			V <sub>CC</sub> = 3 V	dc		12	
f <sub>(ACLK)</sub> f <sub>(MCLK)</sub> f <sub>(SMCLK)</sub>	P1.1/TA0.0/MCLK, P1.5/TA0CLK/ACLK	C <sub>L</sub> = 20 pF	V <sub>CC</sub> = 2.2 V			8	MHz
			V <sub>CC</sub> = 3 V			12	
t <sub>(Xdc)</sub>	Duty cycle of output frequency	P1.5/TA0CLK/ACLK , C <sub>L</sub> = 20 pF V <sub>CC</sub> = 2.2 V, 3 V	f <sub>ACLK</sub> = f <sub>LFXT1</sub> = f <sub>XT1</sub>	40%		60%	
			f <sub>ACLK</sub> = f <sub>LFXT1</sub> = f <sub>LF</sub>	30%		70%	
			f <sub>ACLK</sub> = f <sub>LFXT1/n</sub>		50%		
				P1.1/TA0.0/MCLK, C <sub>L</sub> = 20 pF V <sub>CC</sub> = 2.2 V, 3 V	f <sub>MCLK</sub> = f <sub>LFXT1/n</sub>	50% - 15 ns	50%
			f <sub>MCLK</sub> = f <sub>DCOCLK</sub>	50% - 15 ns	50%	50%+ 15 ns	

**MSP430FW429, MSP430FW428  
MSP430FW427, MSP430FW425, MSP430FW423**

SLAS383E – OCTOBER 2003 – REVISED DECEMBER 2013

www.ti.com

TYPICAL LOW-LEVEL OUTPUT CURRENT  
vs  
LOW-LEVEL OUTPUT VOLTAGE

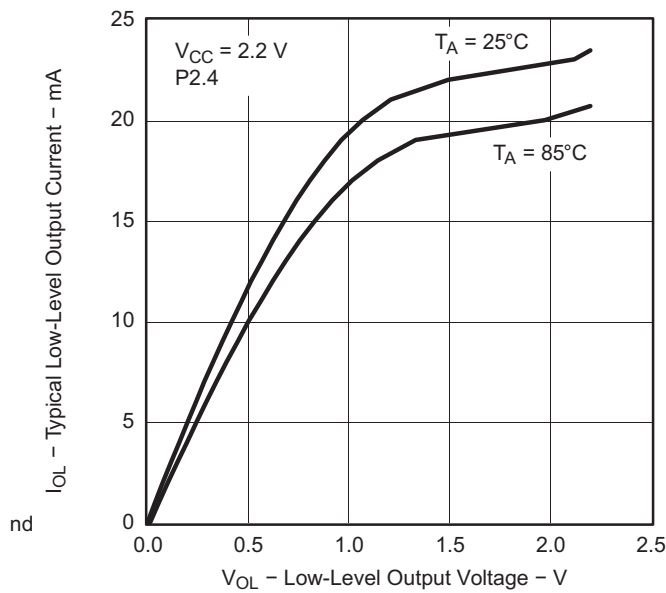


Figure 2.

TYPICAL LOW-LEVEL OUTPUT CURRENT  
vs  
LOW-LEVEL OUTPUT VOLTAGE

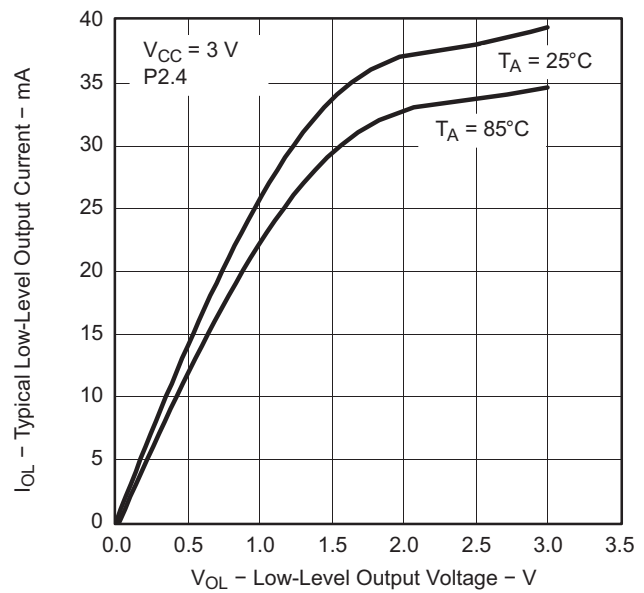


Figure 3.

TYPICAL HIGH-LEVEL OUTPUT CURRENT  
vs  
HIGH-LEVEL OUTPUT VOLTAGE

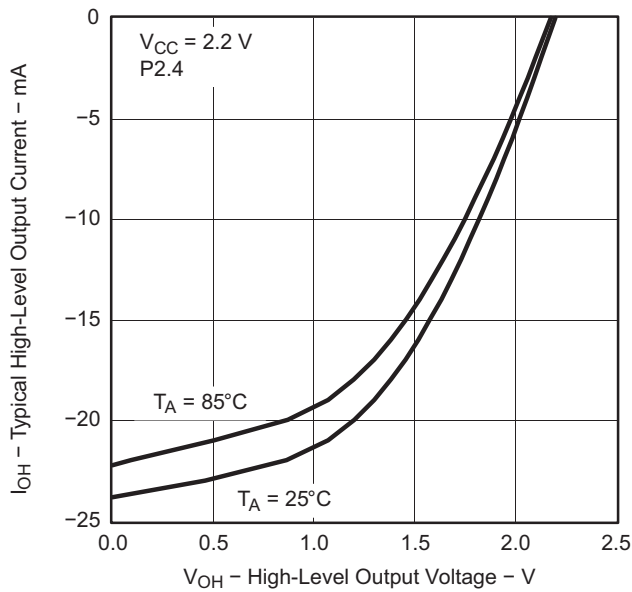


Figure 4.

TYPICAL HIGH-LEVEL OUTPUT CURRENT  
vs  
HIGH-LEVEL OUTPUT VOLTAGE

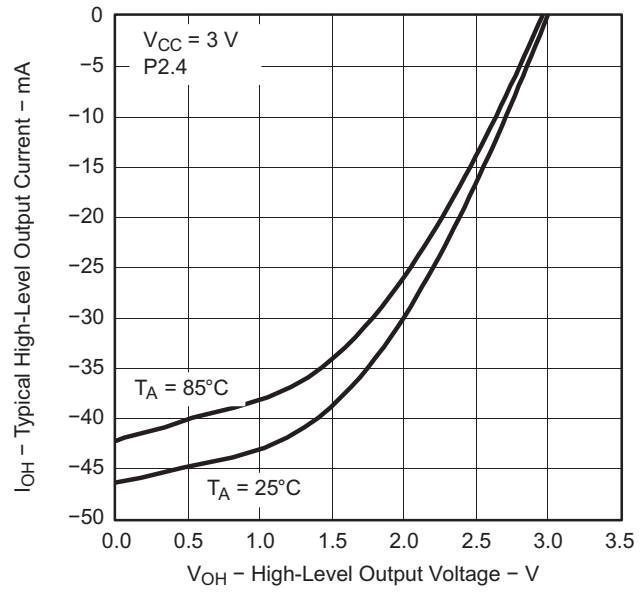


Figure 5.

### Wake-UP LPM3

over recommended operating free-air temperature range (unless otherwise noted)

PARAMETER		TEST CONDITIONS		MIN	TYP	MAX	UNIT
$t_{d(LPM3)}$	Delay time	f = 1 MHz	$V_{CC} = 2.2\text{ V}, 3\text{ V}$			6	$\mu\text{s}$
		f = 2 MHz				6	
		f = 3 MHz				6	

### RAM

over recommended operating free-air temperature range (unless otherwise noted)

PARAMETER	TEST CONDITIONS	MIN	TYP	MAX	UNIT
$V_{RAMh}$	CPU halted <sup>(1)</sup>	1.6			V

(1) This parameter defines the minimum supply voltage when the data in program memory RAM remain unchanged. No program execution should take place during this supply voltage condition.

### LCD

over recommended operating free-air temperature range (unless otherwise noted)

PARAMETER	TEST CONDITIONS		MIN	TYP	MAX	UNIT	
$V_{(33)}$	Analog voltage	Voltage at P5.7/R33	2.5		$V_{CC} + 0.2$	V	
$V_{(23)}$		Voltage at P5.6/R23		$[V_{(33)} - V_{(03)}] \times \frac{2}{3} + V_{(03)}$			
$V_{(13)}$		Voltage at P5.5/R13		$[V_{(33)} - V_{(03)}] \times \frac{1}{3} + V_{(03)}$			
$V_{(33)} - V_{(03)}$		Voltage at R33 to R03	2.5		$V_{CC} + 0.2$		
$I_{(R03)}$	Input leakage	$R03 = V_{SS}$			$\pm 20$	nA	
$I_{(R13)}$		$P5.5/R13 = V_{CC}/3$			$\pm 20$		
$I_{(R23)}$		$P5.6/R23 = 2 \times V_{CC}/3$			$\pm 20$		
$V_{(Sxx0)}$	Segment line voltage	$I_{(Sxx)} = -3\ \mu\text{A}$	$V_{CC} = 3\text{ V}$	$V_{(03)}$		$V_{(03)} - 0.1$	V
$V_{(Sxx1)}$				$V_{(13)}$		$V_{(13)} - 0.1$	
$V_{(Sxx2)}$				$V_{(23)}$		$V_{(23)} - 0.1$	
$V_{(Sxx3)}$				$V_{(33)}$		$V_{(33)} + 0.1$	

**MSP430FW429, MSP430FW428  
MSP430FW427, MSP430FW425, MSP430FW423**

SLAS383E –OCTOBER 2003–REVISED DECEMBER 2013

www.ti.com

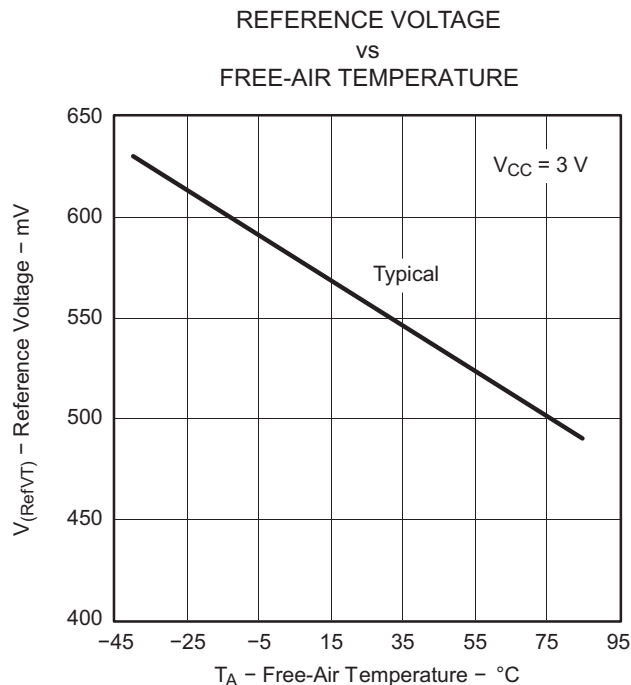
**Comparator\_A<sup>(1)</sup>**

over recommended operating free-air temperature range (unless otherwise noted)

PARAMETER	TEST CONDITIONS	V <sub>CC</sub>	MIN	TYP	MAX	UNIT	
I <sub>(CC)</sub>	CAON = 1, CARSEL = 0, CAREF = 0	2.2 V		25	40	μA	
		3 V		45	60		
I <sub>(RefLadder/RefDiode)</sub>	CAON = 1, CARSEL = 0, CAREF = 1/2/3, No load at P1.6/CA0 and P1.7/CA1	2.2 V		30	50	μA	
		3 V		45	71		
V <sub>(Ref025)</sub>	Voltage @ 0.25 V <sub>CC</sub> node V <sub>CC</sub>	PCA0 = 1, CARSEL = 1, CAREF = 1, No load at P1.6/CA0 and P1.7/CA1	2.2 V, 3 V	0.23	0.24	0.25	
V <sub>(Ref050)</sub>	Voltage @ 0.5 V <sub>CC</sub> node V <sub>CC</sub>	PCA0 = 1, CARSEL = 1, CAREF = 2, No load at P1.6/CA0 and P1.7/CA1	2.2 V, 3 V	0.47	0.48	0.5	
V <sub>(RefVT)</sub>	See Figure 6, Figure 7	PCA0 = 1, CARSEL = 1, CAREF = 3, No load at P1 6/CA0 and P1 7/CA1, T <sub>A</sub> = 85°C	2.2 V	390	480	540	mV
			3 V	400	490	550	
V <sub>IC</sub>	Common-mode input voltage range	CAON = 1	2.2 V, 3 V	0	V <sub>CC</sub> - 1	V	
V <sub>p</sub> - V <sub>S</sub>	Offset voltage	(2)	2.2 V, 3 V	-30		30	mV
V <sub>hys</sub>	Input hysteresis	CAON = 1	2.2 V, 3 V	0	0.7	1.4	mV
t <sub>(response LH)</sub>	T <sub>A</sub> = 25°C Overdrive 10 mV, without filter: CAF = 0	2.2 V	130	210	300	ns	
		3 V	80	150	240		
	T <sub>A</sub> = 25°C Overdrive 10 mV, with filter: CAF = 1	2.2 V	1.4	1.9	3.4	μs	
		3 V	0.9	1.5	2.6		
t <sub>(response HL)</sub>	T <sub>A</sub> = 25°C Overdrive 10 mV, without filter: CAF = 0	2.2 V	130	210	300	ns	
		3 V	80	150	240		
	T <sub>A</sub> = 25°C Overdrive 10 mV, with filter: CAF = 1	2.2 V	1.4	1.9	3.4	μs	
		3 V	0.9	1.5	2.6		

(1) The leakage current for the Comparator\_A terminals is identical to I<sub>lkg(Px.x)</sub> specification.

(2) The input offset voltage can be cancelled by using the CAEX bit to invert the Comparator\_A inputs on successive measurements. The two successive measurements are then summed together.

**Figure 6.**

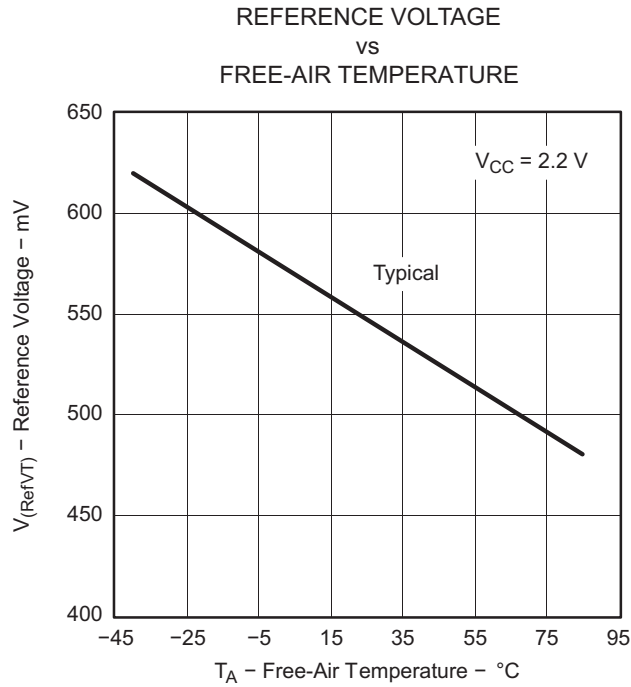


Figure 7.

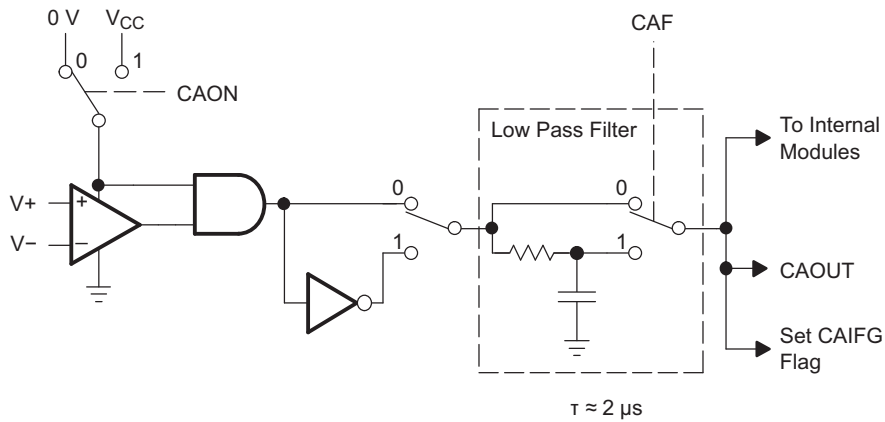


Figure 8. Block Diagram of Comparator\_A Module

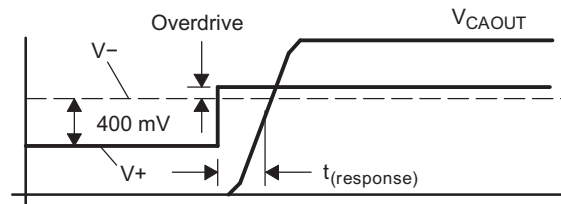


Figure 9. Overdrive Definition

**MSP430FW429, MSP430FW428  
MSP430FW427, MSP430FW425, MSP430FW423**

SLAS383E – OCTOBER 2003 – REVISED DECEMBER 2013

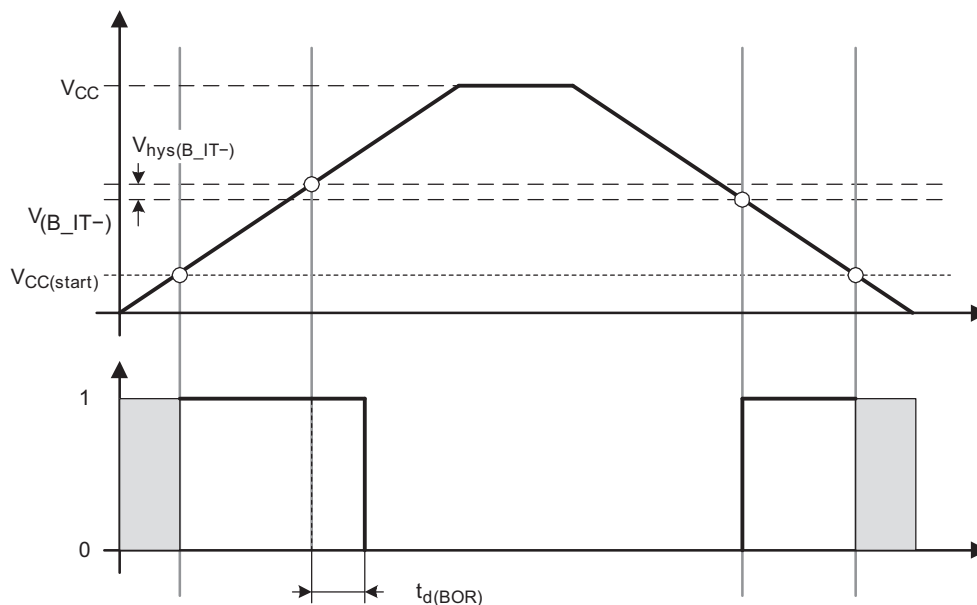
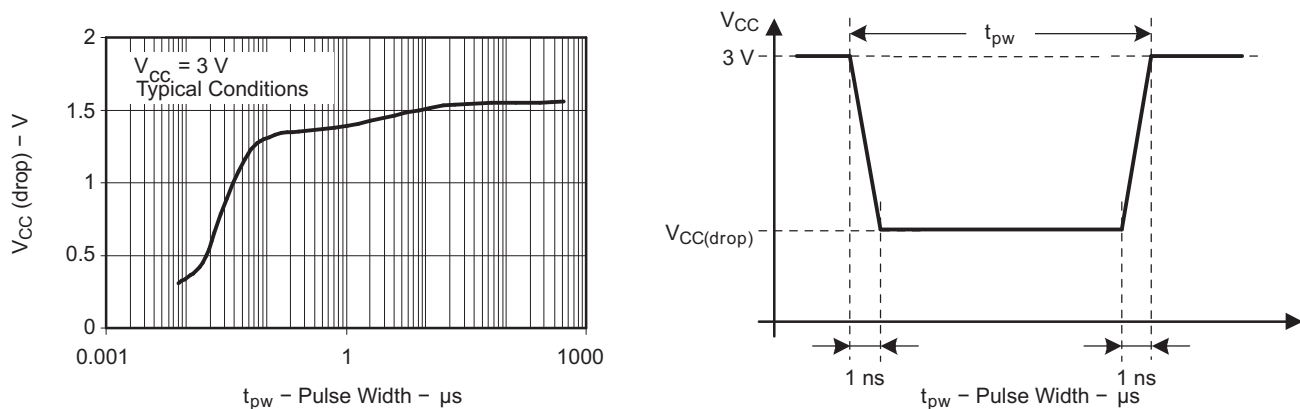
www.ti.com

**POR, BOR<sup>(1)</sup>**

over recommended operating free-air temperature range (unless otherwise noted)

PARAMETER	TEST CONDITIONS	MIN	TYP	MAX	UNIT
$t_{d(BOR)}$				2000	$\mu\text{s}$
$V_{CC(start)}$	$dV_{CC}/dt \leq 3 \text{ V/s}$ (see Figure 10)		$0.7 \times V_{(B\_IT-)}$		V
$V_{(B\_IT-)}$	Brownout <sup>(2)</sup>	$dV_{CC}/dt \leq 3 \text{ V/s}$ (see Figure 10 through Figure 12)		1.71	V
$V_{hys(B\_IT-)}$		$dV_{CC}/dt \leq 3 \text{ V/s}$ (see Figure 10)		70	130
$t_{(reset)}$	Pulse duration needed at $\overline{\text{RST/NMI}}$ pin to accepted reset internally, $V_{CC} = 2.2 \text{ V}, 3 \text{ V}$	2			$\mu\text{s}$

- (1) The current consumption of the brownout module is already included in the  $I_{CC}$  current consumption data. The voltage level  $V_{(B\_IT-)} + V_{hys(B\_IT-)}$  is  $\leq 1.8 \text{ V}$ .
- (2) During power up, the CPU begins code execution following a period of  $t_{d(BOR)}$  after  $V_{CC} = V_{(B\_IT-)} + V_{hys(B\_IT-)}$ . The default FLL+ settings must not be changed until  $V_{CC} \geq V_{CC(min)}$ , where  $V_{CC(min)}$  is the minimum supply voltage for the desired operating frequency. See the *MSP430x4xx Family User's Guide (SLAU056)* for more information on the brownout and SVS circuit.

**Figure 10. POR and BOR vs Supply Voltage****Figure 11.  $V_{CC(drop)}$  Level with a Square Voltage Drop to Generate a POR/Brownout Signal**

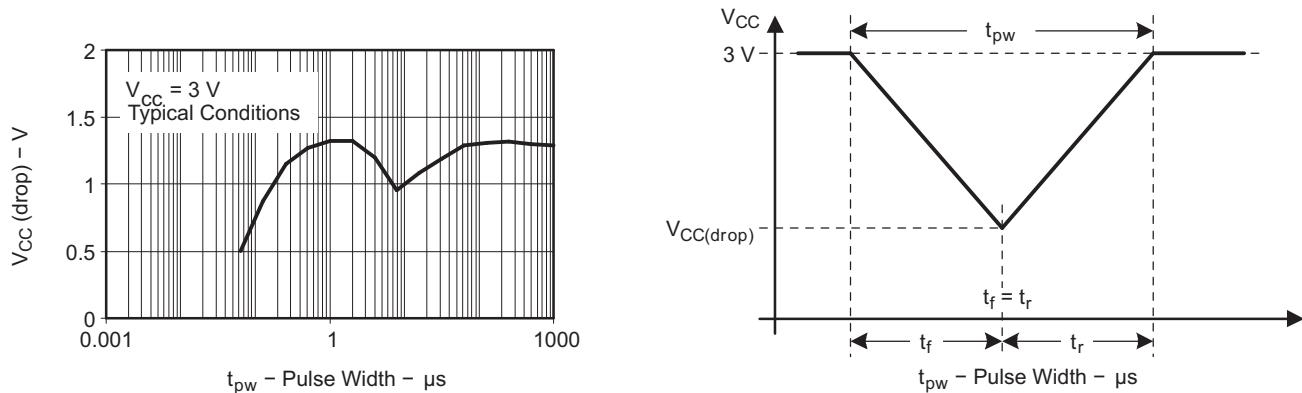


Figure 12.  $V_{CC(drop)}$  Level With a Triangle Voltage Drop to Generate a POR or BOR Signal

### SVS (Supply Voltage Supervisor and Monitor)<sup>(1)(2)</sup>

over recommended operating free-air temperature range (unless otherwise noted)

PARAMETER	TEST CONDITIONS	MIN	TYP	MAX	UNIT	
$t_{(SVSR)}$	$dV_{CC}/dt > 30 \text{ V/ms}$ (see Figure 13)	5		150	$\mu\text{s}$	
	$dV_{CC}/dt \leq 30 \text{ V/ms}$			2000		
$t_{d(SVson)}$	SVSon, switch from VLD = 0 to VLD $\neq$ 0, $V_{CC} = 3 \text{ V}$	20		150	$\mu\text{s}$	
$t_{settle}$	VLD $\neq$ 0 <sup>(3)</sup>			12	$\mu\text{s}$	
$V_{(SVstart)}$	VLD $\neq$ 0, $V_{CC}/dt \leq 3 \text{ V/s}$ (see Figure 13)		1.55	1.7	V	
$V_{hys(SVS_{IT-})}$	$V_{CC}/dt \leq 3 \text{ V/s}$ (see Figure 13)	VLD = 1	70	120	155	mV
		VLD = 2 to 14	$V_{(SVS_{IT-})} \times 0.004$		$V_{(SVS_{IT-})} \times 0.08$	
	$V_{CC}/dt \leq 3 \text{ V/s}$ (see Figure 13), external voltage applied on A7	VLD = 15	4.4		10.4	mV
$V_{(SVS_{IT-})}$	$V_{CC}/dt \leq 3 \text{ V/s}$ (see Figure 13)	VLD = 1	1.8	1.9	2.05	V
		VLD = 2	1.94	2.1	2.25	
		VLD = 3	2.05	2.2	2.37	
		VLD = 4	2.14	2.3	2.48	
		VLD = 5	2.24	2.4	2.6	
		VLD = 6	2.33	2.5	2.71	
		VLD = 7	2.46	2.65	2.86	
		VLD = 8	2.58	2.8	3	
		VLD = 9	2.69	2.9	3.13	
		VLD = 10	2.83	3.05	3.29	
		VLD = 11	2.94	3.2	3.42	
		VLD = 12	3.11	3.35	3.61 <sup>(4)</sup>	
		VLD = 13	3.24	3.5	3.76 <sup>(4)</sup>	
		VLD = 14	3.43	3.7 <sup>(4)</sup>	3.99 <sup>(4)</sup>	
	$V_{CC}/dt \leq 3 \text{ V/s}$ (see Figure 13), external voltage applied on A7	VLD = 15	1.1	1.2	1.3	
$I_{CC(SVS)}$ <sup>(5)</sup>	VLD $\neq$ 0, $V_{CC} = 2.2 \text{ V}, 3 \text{ V}$		10	15	$\mu\text{A}$	

(1) The current consumption of the SVS module is not included in the  $I_{CC}$  current consumption data.

(2) The SVS is not active at power up.

(3)  $t_{settle}$  is the settling time that the comparator o/p needs to have a stable level after VLD is switched from VLD  $\neq$  0 to a different VLD value between 2 and 15. The overdrive is assumed to be  $> 50 \text{ mV}$ .

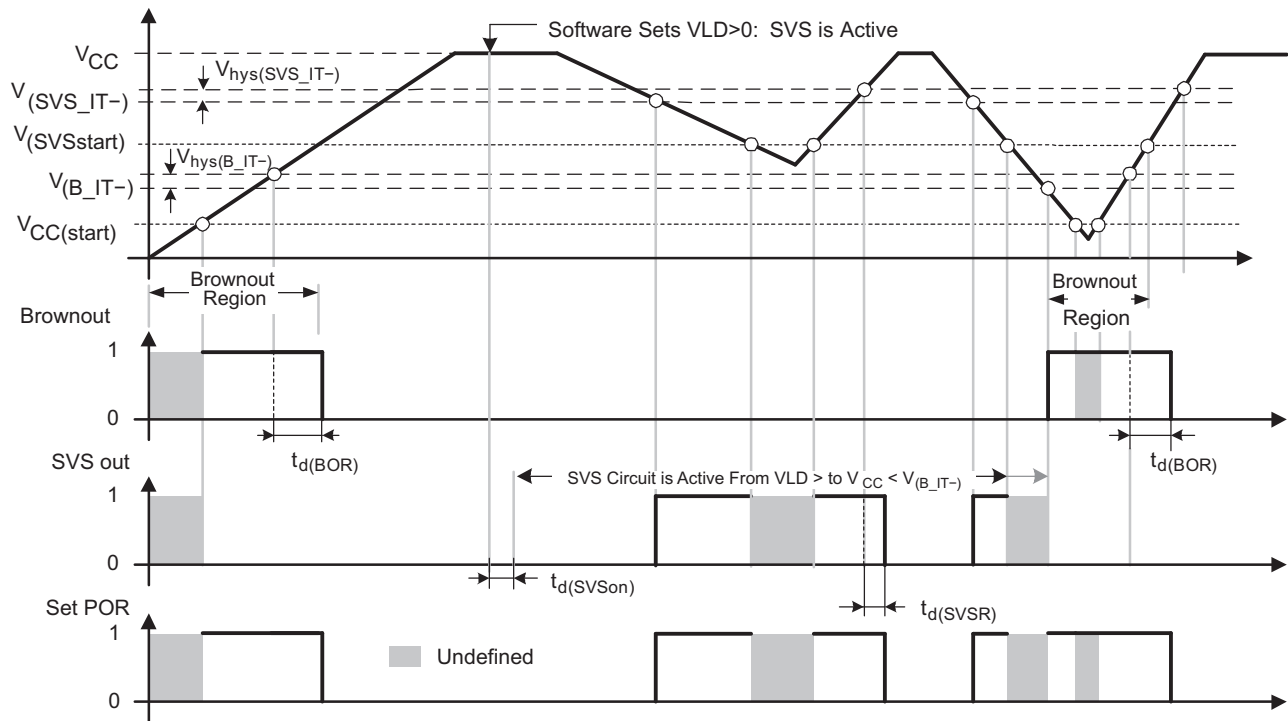
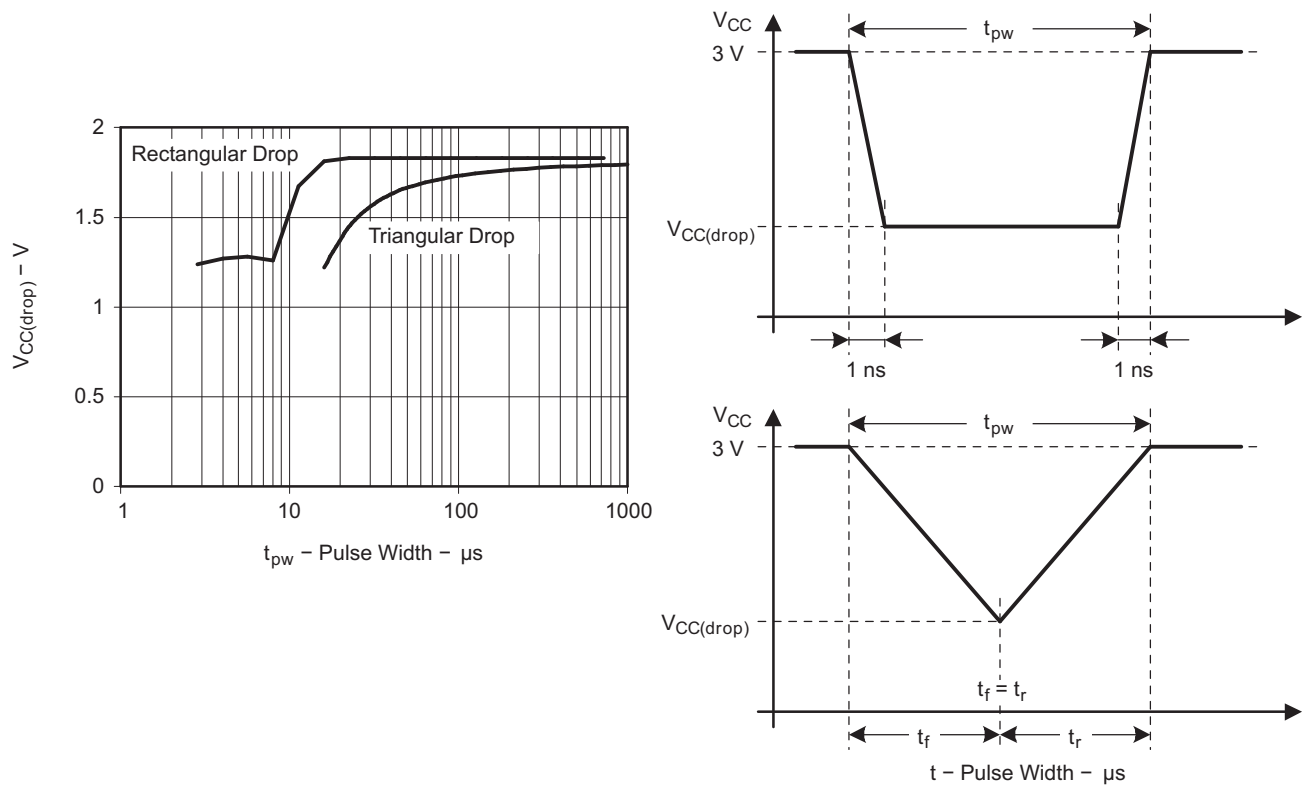
(4) The recommended operating voltage range is limited to 3.6 V.

(5) The current consumption of the SVS module is not included in the  $I_{CC}$  current consumption data.

**MSP430FW429, MSP430FW428  
MSP430FW427, MSP430FW425, MSP430FW423**

SLAS383E – OCTOBER 2003 – REVISED DECEMBER 2013

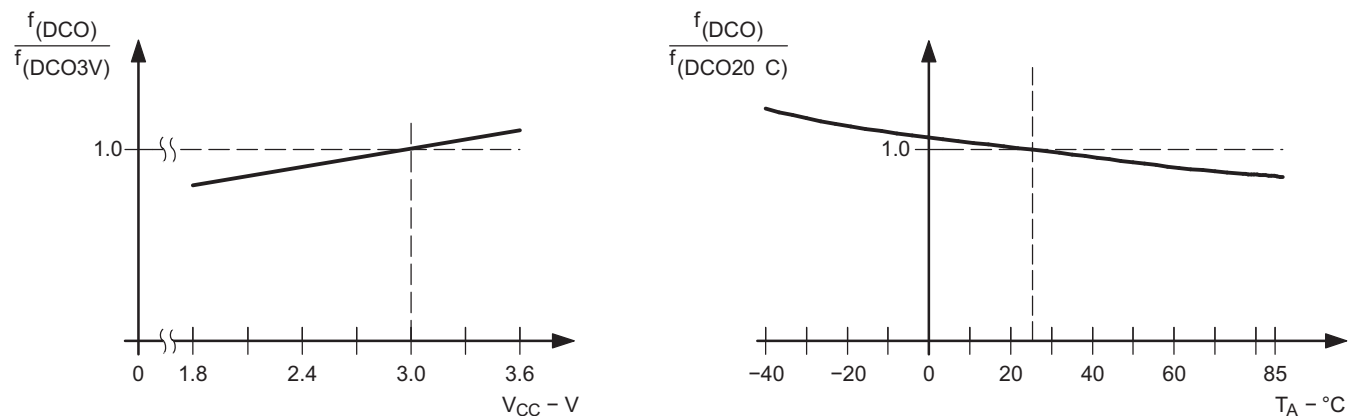
www.ti.com


**Figure 13. SVS Reset (SVSR) vs Supply Voltage**

**Figure 14.  $V_{CC(drop)}$  with a Square Voltage Drop and a Triangle Voltage Drop to Generate an SVS Signal**

## DCO

over recommended operating free-air temperature range (unless otherwise noted)

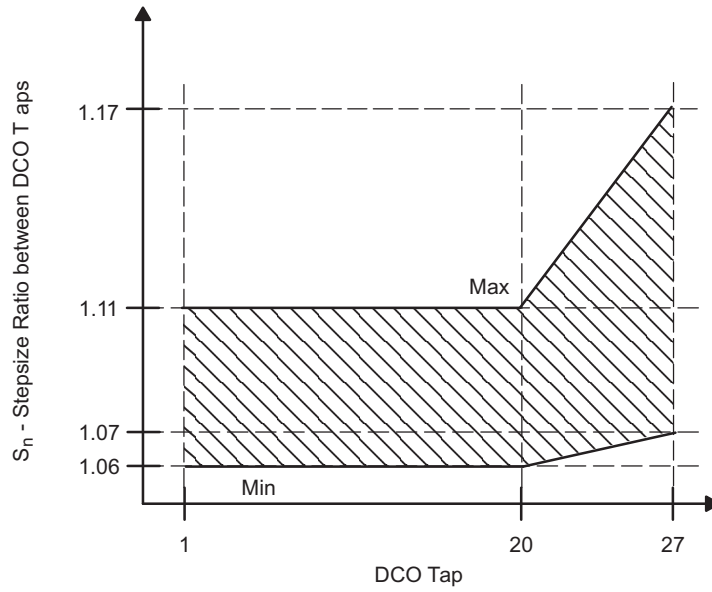
PARAMETER	TEST CONDITIONS	V <sub>CC</sub>	MIN	TYP	MAX	UNIT
f <sub>(DCOCLK)</sub>	N <sub>(DCO)</sub> = 01Eh, FN <sub>8</sub> = FN <sub>4</sub> = FN <sub>3</sub> = FN <sub>2</sub> = 0, D = 2, DCOPLUS = 0, f <sub>Crystal</sub> = 32.768 kHz	2.2 V, 3 V		1		MHz
f <sub>(DCO = 2)</sub>	FN <sub>8</sub> = FN <sub>4</sub> = FN <sub>3</sub> = FN <sub>2</sub> = 0, DCOPLUS = 1	2.2 V	0.3	0.65	1.25	MHz
		3 V	0.3	0.7	1.3	
f <sub>(DCO = 27)</sub>	FN <sub>8</sub> = FN <sub>4</sub> = FN <sub>3</sub> = FN <sub>2</sub> = 0, DCOPLUS = 1	2.2 V	2.5	5.6	10.5	MHz
		3 V	2.7	6.1	11.3	
f <sub>(DCO = 2)</sub>	FN <sub>8</sub> = FN <sub>4</sub> = FN <sub>3</sub> = FN <sub>2</sub> = 1, DCOPLUS = 1	2.2 V	0.7	1.3	2.3	MHz
		3 V	0.8	1.5	2.5	
f <sub>(DCO = 27)</sub>	FN <sub>8</sub> = FN <sub>4</sub> = FN <sub>3</sub> = FN <sub>2</sub> = 1, DCOPLUS = 1	2.2 V	5.7	10.8	18	MHz
		3 V	6.5	12.1	20	
f <sub>(DCO = 2)</sub>	FN <sub>8</sub> = FN <sub>4</sub> = 0, FN <sub>3</sub> = 1, FN <sub>2</sub> = x, DCOPLUS = 1	2.2 V	1.2	2	3	MHz
		3 V	1.3	2.2	3.5	
f <sub>(DCO = 27)</sub>	FN <sub>8</sub> = FN <sub>4</sub> = 0, FN <sub>3</sub> = 1, FN <sub>2</sub> = x, DCOPLUS = 1	2.2 V	9	15.5	25	MHz
		3 V	10.3	17.9	28.5	
f <sub>(DCO = 2)</sub>	FN <sub>8</sub> = 0, FN <sub>4</sub> = 1, FN <sub>3</sub> = FN <sub>2</sub> = x, DCOPLUS = 1	2.2 V	1.8	2.8	4.2	MHz
		3 V	2.1	3.4	5.2	
f <sub>(DCO = 27)</sub>	FN <sub>8</sub> = 0, FN <sub>4</sub> = 1, FN <sub>3</sub> = FN <sub>2</sub> = x, DCOPLUS = 1	2.2 V	13.5	21.5	33	MHz
		3 V	16	26.6	41	
f <sub>(DCO = 2)</sub>	FN <sub>8</sub> = 1, FN <sub>4</sub> = 1 = FN <sub>3</sub> = FN <sub>2</sub> = x, DCOPLUS = 1	2.2 V	2.8	4.2	6.2	MHz
		3 V	4.2	6.3	9.2	
f <sub>(DCO = 27)</sub>	FN <sub>8</sub> = 1, FN <sub>4</sub> = 1 = FN <sub>3</sub> = FN <sub>2</sub> = x, DCOPLUS = 1	2.2 V	21	32	46	MHz
		3 V	30	46	70	
S <sub>n</sub>	Step size between adjacent DCO taps: S <sub>n</sub> = f <sub>DCO(Tap n+1)</sub> / f <sub>DCO(Tap n)</sub> (see Figure 16 for taps 21 to 27)	1 < TAP ≤ 20	1.06		1.11	
		TAP = 27	1.07		1.17	
D <sub>t</sub>	Temperature drift, N <sub>(DCO)</sub> = 01Eh, FN <sub>8</sub> = FN <sub>4</sub> = FN <sub>3</sub> = FN <sub>2</sub> = 0, D = 2, DCOPLUS = 0	2.2 V	-0.2	-0.3	-0.4	%/°C
		3 V	-0.2	-0.3	-0.4	
D <sub>V</sub>	Drift with V <sub>CC</sub> variation, N <sub>(DCO)</sub> = 01Eh, FN <sub>8</sub> = FN <sub>4</sub> = FN <sub>3</sub> = FN <sub>2</sub> = 0, D = 2, DCOPLUS = 0	2.2 V, 3 V	0	5	15	%/V


**Figure 15. DCO Frequency vs Supply Voltage V<sub>CC</sub> and vs Ambient Temperature**

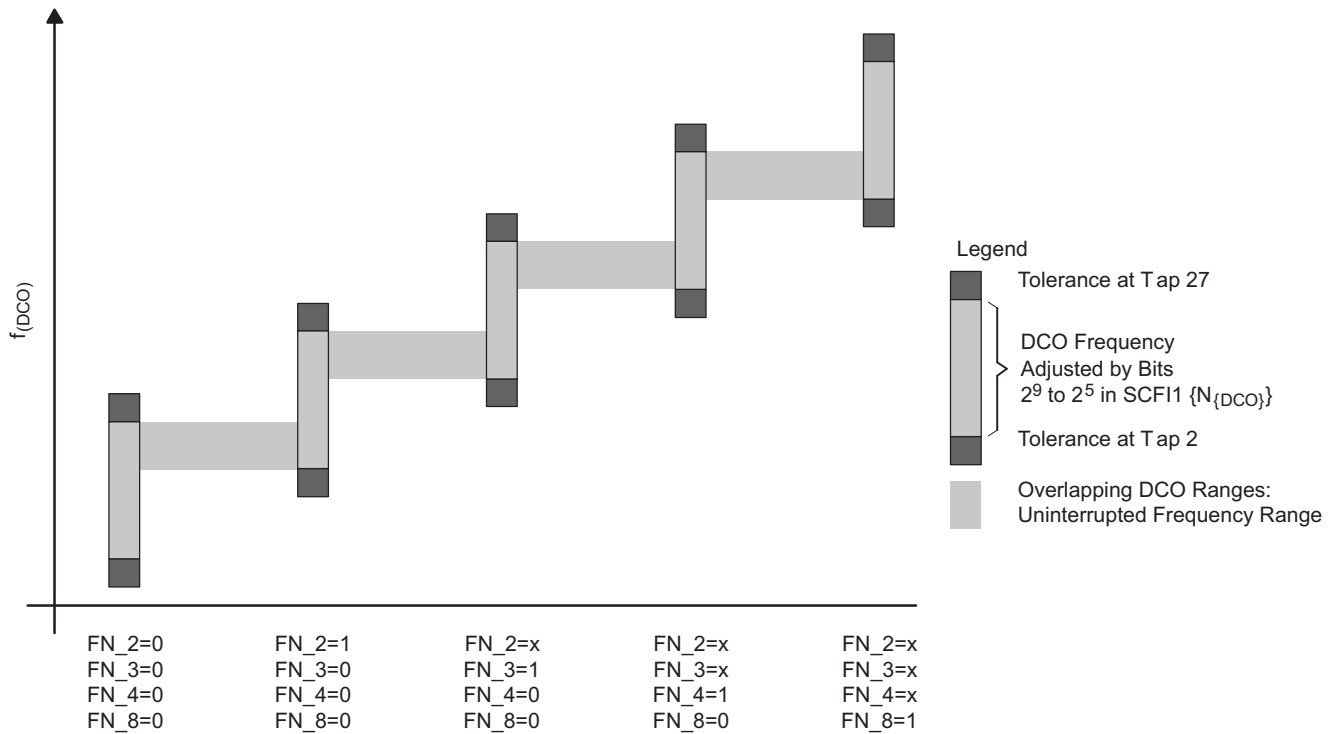
**MSP430FW429, MSP430FW428**  
**MSP430FW427, MSP430FW425, MSP430FW423**

SLAS383E –OCTOBER 2003–REVISED DECEMBER 2013

www.ti.com



**Figure 16. DCO Tap Step Size**



**Figure 17. Five Overlapping DCO Ranges Controlled by FN\_x Bits**

**Crystal Oscillator, LFXT1 Oscillator<sup>(1) (2)</sup>**

over recommended operating free-air temperature range (unless otherwise noted)

PARAMETER		TEST CONDITIONS	V <sub>CC</sub>	MIN	TYP	MAX	UNIT
C <sub>XIN</sub>	Integrated input capacitance <sup>(3)</sup>	OSCCAP <sub>x</sub> = 0h	2.2 V, 3 V	0		pF	
		OSCCAP <sub>x</sub> = 1h		10			
		OSCCAP <sub>x</sub> = 2h		14			
		OSCCAP <sub>x</sub> = 3h		18			
C <sub>XOUT</sub>	Integrated output capacitance <sup>(3)</sup>	OSCCAP <sub>x</sub> = 0h	2.2 V, 3 V	0		pF	
		OSCCAP <sub>x</sub> = 1h		10			
		OSCCAP <sub>x</sub> = 2h		14			
		OSCCAP <sub>x</sub> = 3h		18			
V <sub>IL</sub>	Input levels at XIN <sup>(4)</sup>		2.2 V, 3 V	V <sub>SS</sub>	0.2 × V <sub>CC</sub>		V
V <sub>IH</sub>				0.8 × V <sub>CC</sub>	V <sub>CC</sub>		

- (1) The parasitic capacitance from the package and board may be estimated to be 2 pF. The effective load capacitor for the crystal is  $(C_{XIN} \times C_{XOUT}) / (C_{XIN} + C_{XOUT})$ . This is independent of XTS\_FLL.
- (2) To improve EMI on the low-power LFXT1 oscillator, particularly in the LF mode (32 kHz), the following guidelines should be observed.
  - (a) Keep the trace between the device and the crystal as short as possible.
  - (b) Design a good ground plane around the oscillator pins.
  - (c) Prevent crosstalk from other clock or data lines into oscillator pins XIN and XOUT.
  - (d) Avoid running PCB traces underneath or adjacent to the XIN and XOUT pins.
  - (e) Use assembly materials and techniques that avoid any parasitic load on the oscillator XIN and XOUT pins.
  - (f) If conformal coating is used, ensure that it does not induce capacitive or resistive leakage between the oscillator pins.
  - (g) Do not route the XOUT line to the JTAG header to support the serial programming adapter as shown in other documentation. This signal is no longer required for the serial programming adapter.
- (3) External capacitance is recommended for precision real-time clock applications; OSCCAP<sub>x</sub> = 0h.
- (4) Applies only when using an external logic-level clock source. XTS\_FLL must be set. Not applicable when using a crystal or resonator.

**MSP430FW429, MSP430FW428  
MSP430FW427, MSP430FW425, MSP430FW423**

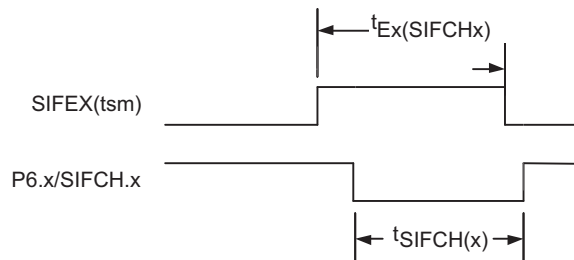
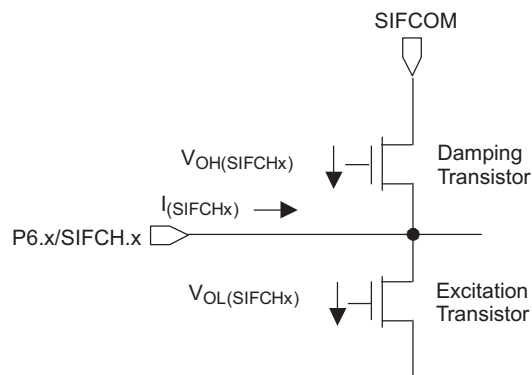
SLAS383E – OCTOBER 2003 – REVISED DECEMBER 2013

www.ti.com

**Scan IF, Port Drive, Port Timing**

over recommended operating free-air temperature range (unless otherwise noted)

PARAMETER	TEST CONDITIONS	V <sub>CC</sub>	MIN	TYP	MAX	UNIT
V <sub>OL(SIFCHx)</sub>	Voltage drop due to excitation transistor's on-resistance (see <a href="#">Figure 18</a> )	I(SIFCHx) = 2 mA, SIFTEN = 1			0.3	V
V <sub>OH(SIFCHx)</sub>	Voltage drop due to damping transistor's on-resistance <sup>(1)</sup> (see <a href="#">Figure 18</a> )	I(SIFCHx) = -200 μA, SIFTEN = 1			0.1	V
V <sub>OL(SIFCOM)</sub>		I(SIFCOM) = 3 mA, SIFSH = 1	0		0.1	V
I <sub>SIFCHx(tri-state)</sub>		V(SIFCHx) = 0 V to AV <sub>CC</sub> , port function disabled, SIFSH = 1	-50		50	nA
Δt <sub>dSIFCH</sub> : t <sub>wEx(tsm)</sub> - t <sub>wSIFCH</sub>	Change of pulse duration of internal signal SIFEX(tsm) to pulse duration at pin SIFCHx (see <a href="#">Figure 18</a> )	I(SIFCHx) = 3 mA, t <sub>Ex(SIFCHx)</sub> = 500 ns ±20%	-20		20	ns

(1) SIFCOM = 1.5V, supplied externally (see [Figure 19](#))
**Figure 18. P6.x/SIFCHx Timing, SIFCHx Function Selected**

**Figure 19. Voltage Drop Due to On-Resistance**

## Scan IF, Sample Capacitor/Ri Timing<sup>(1)</sup>

over operating free-air temperature range (unless otherwise noted)

PARAMETER		TEST CONDITIONS	V <sub>CC</sub>	MIN	TYP	MAX	UNIT
C <sub>SHC(SIFCHx)</sub>	Sample capacitance at SIFCHx pin	SIFEx(tsm) = 1, SIFSH = 1	2.2 V, 3 V		5	7	pF
R <sub>i(SIFCHx)</sub>	Serial input resistance at the SIFCHx pin	SIFEx(tsm) = 1, SIFSH = 1	2.2 V, 3 V		1.5	3	kΩ
t <sub>Hold</sub>	Maximum hold time <sup>(2)</sup>	ΔV <sub>sample</sub> < 3 mV		62			μs

- (1) The minimum sampling time (7.6 x tau for 1/2 LSB accuracy) with maximum C<sub>SHC(SIFCHx)</sub> and R<sub>i(SIFCHx)</sub> and R<sub>i(source)</sub> is t<sub>sample(min)</sub> ~ 7.6 x C<sub>SHC(SIFCHx)</sub> x (R<sub>i(SIFCHx)</sub> + R<sub>i(source)</sub>) with R<sub>i(source)</sub> estimated at 3 kΩ, t<sub>sample(min)</sub> = 319 ns.
- (2) The sampled voltage at the sample capacitance varies less than 3 mV (ΔV<sub>sample</sub>) during the hold time t<sub>Hold</sub>. If the voltage is sampled after t<sub>Hold</sub>, the sampled voltage may be any other value.

**MSP430FW429, MSP430FW428  
MSP430FW427, MSP430FW425, MSP430FW423**

SLAS383E – OCTOBER 2003 – REVISED DECEMBER 2013

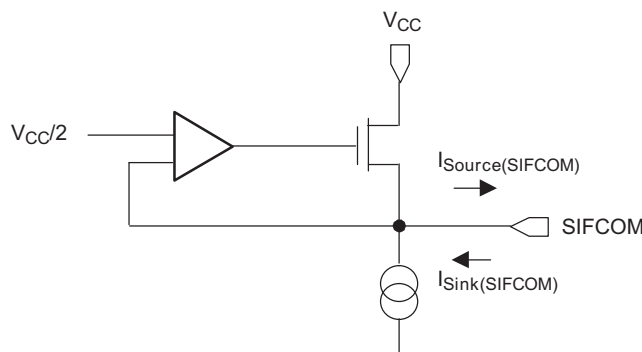
www.ti.com

**Scan IF,  $V_{CC}/2$  Generator**

over operating free-air temperature range (unless otherwise noted)

PARAMETER	TEST CONDITIONS	$V_{CC}$	MIN	TYP	MAX	UNIT	
$AV_{CC}$	Analog supply voltage	$AV_{CC} = DV_{CC}$ (connected together), $AV_{SS} = DV_{SS}$ (connected together)	2.2		3.6	V	
$AI_{CC}$	Scan IF $V_{CC}/2$ generator operating supply current into $AV_{CC}$ terminal	$C_L$ at SIFCOM pin = 470 nF $\pm 20\%$ , $f_{refresh}(SIFCOM) = 32768$ Hz	2.2 V	250	350	nA	
			3 V	370	450		
$f_{refresh}(SIFCOM)$	$V_{CC}/2$ refresh frequency	Source clock = ACLK	2.2 V, 3 V	30	32.768	kHz	
$V_{(SIFCOM)}$	Output voltage at pin SIFCOM	$C_L$ at SIFCOM pin = 470 nF $\pm 20\%$ , $I_{Load} = 1 \mu A$		$AV_{CC}/2 - 0.05$	$AV_{CC}/2$	$AV_{CC}/2 + 0.05$	V
$I_{source}(SIFCOM)$	SIFCOM source current <sup>(1)</sup> (see Figure 20)		2.2 V	-500		$\mu A$	
			3 V	-900			
$I_{sink}(SIFCOM)$	SIFCOM sink current		2.2 V	150		nA	
			3 V	180			
$t_{recovery}(SIFCOM)$	Time to recover from voltage drop on load	$I_{Load1} = I_{Load3} = 0$ mA, $I_{Load2} = 3$ mA, $t_{load(on)} = 500$ ns, $C_L$ at SIFCOM pin = 470 nF $\pm 20\%$	2.2 V, 3 V		30	$\mu s$	
$t_{on}(SIFCOM)$	Time to reach 98% after $V_{CC}/2$ is switched on	$C_L$ at SIFCOM pin = 470 nF $\pm 20\%$ , $f_{refresh}(SIFCOM) = 32768$ Hz	2.2 V, 3 V	1.7	6	ms	
$t_{VCCSettle}(SIFCOM)$	Settling time to $\pm V_{CC}/512$ (2 LSB) after $AV_{CC}$ voltage change	$SIFEN = 1$ , $SIFVCC2 = 1$ , $SIFSH = 0$ , $AV_{CC} = AV_{CC} - 100$ mV, $f_{refresh}(SIFCOM) = 32768$ Hz	2.2 V, 3 V	80		ms	
			2.2 V, 3 V	3			

- (1) The sink and source currents are a function of the voltage at the pin SIFCOM. The maximum currents are reached if SIFCOM is shorted to GND or  $V_{CC}$ . Due to the topology of the output section (see Figure 20) the  $V_{CC}/2$  generator can source relatively large currents but can sink only small currents.


**Figure 20. P6.x/SIFCHx Timing, SIFCHx Function Selected**

## Scan IF, 10-bit DAC

over operating free-air temperature range (unless otherwise noted)

PARAMETER		TEST CONDITIONS	V <sub>CC</sub>	MIN	TYP	MAX	UNIT
AV <sub>CC</sub>	Analog supply voltage	AV <sub>CC</sub> = DV <sub>CC</sub> (connected together) AV <sub>SS</sub> = DV <sub>SS</sub> (connected together)		2.2		3.6	V
AI <sub>CC</sub>	Scan IF 10-bit DAC operating supply current into AV <sub>CC</sub> terminal	C <sub>L</sub> at SIFCOM pin = 470 nF ±20%, f <sub>refresh(SIFCOM)</sub> = 32768 Hz	2.2 V		23	45	μA
			3 V		33	60	
	Resolution				10		bit
INL	Integral nonlinearity	R <sub>L</sub> = 1000 MΩ, C <sub>L</sub> = 20 pF	2.2 V, 3 V		±2	±5	LSB
DNL	Differential nonlinearity	R <sub>L</sub> = 1000 MΩ, C <sub>L</sub> = 20 pF	2.2 V, 3 V			±1	LSB
E <sub>ZS</sub>	Zero scale error		2.2 V, 3 V			±10	mV
E <sub>G</sub>	Gain error		2.2 V, 3 V			0.6	%
R <sub>O</sub>	Output resistance				25	50	kΩ
t <sub>on(SIFDAC)</sub>	On time after AV <sub>CC</sub> of SIFDAC is switched on	V <sub>+SIFCA</sub> - V <sub>SIFDAC</sub> = ±6 mV	2.2 V, 3 V			2	μs
t <sub>Settle(SIFDAC)</sub>	Settling time	SIFDAC code = 1C0h → 240h, V <sub>SIFDAC(240h)</sub> - V <sub>+SIFCA</sub> = +6 mV	2.2 V, 3 V			2	μs
		SIFDAC code = 240h → 1C0h, V <sub>SIFDAC(1C0h)</sub> - V <sub>+SIFCA</sub> = -6 mV	2.2 V, 3 V			2	

## Scan IF, Comparator

over operating free-air temperature range (unless otherwise noted)

PARAMETER		TEST CONDITIONS	V <sub>CC</sub>	MIN	TYP	MAX	UNIT
AV <sub>CC</sub>	Analog supply voltage	AV <sub>CC</sub> = DV <sub>CC</sub> (connected together), AV <sub>SS</sub> = DV <sub>SS</sub> (connected together)		2.2		3.6	V
AI <sub>CC</sub>	Scan IF comparator operating supply current into AV <sub>CC</sub> terminal		2.2 V		25	35	μA
			3 V		35	50	
V <sub>IC</sub>	Common mode input voltage range <sup>(1)</sup>		2.2 V, 3 V	0.9		AV <sub>CC</sub> - 0.6	V
V <sub>Offset</sub>	Input offset voltage		2.2 V, 3 V			±30	mV
dV <sub>Offset</sub> /dT	Temperature coefficient of V <sub>Offset</sub>		2.2 V, 3 V		10		μV/°C
dV <sub>Offset</sub> /dV <sub>CC</sub>	V <sub>Offset</sub> supply voltage (V <sub>CC</sub> ) sensitivity		2.2 V, 3 V		0.3		mV/V
V <sub>hys</sub>	Input voltage hysteresis	V <sub>+terminal</sub> = V <sub>-terminal</sub> = 0.5 × V <sub>CC</sub>	2.2 V	0		18	mV
			3 V	0		18	
t <sub>on(SIFCA)</sub>	On time after SIFCA is switched on	V <sub>+SIFCA</sub> - V <sub>SIFDAC</sub> = +6 mV, V <sub>+SIFCA</sub> = 0.5 × AV <sub>CC</sub>	2.2 V, 3 V			2	μs
t <sub>Settle(SIFCA)</sub>	Settle time	V <sub>+SIFCA</sub> - V <sub>SIFDAC</sub> = -12 mV → 6 mV, V <sub>+SIFCA</sub> = 0.5 × AV <sub>CC</sub>	2.2 V, 3 V			2.0	μs

(1) The comparator output is reliable when at least one of the input signals is within the common mode input voltage range.

**MSP430FW429, MSP430FW428  
MSP430FW427, MSP430FW425, MSP430FW423**

SLAS383E – OCTOBER 2003 – REVISED DECEMBER 2013

www.ti.com

### Scan IF, SIFCLK Oscillator

over operating free-air temperature range (unless otherwise noted)

PARAMETER		TEST CONDITIONS		V <sub>CC</sub>	MIN	TYP	MAX	UNIT
AV <sub>CC</sub>	Analog supply voltage	AV <sub>CC</sub> = DV <sub>CC</sub> (connected together), AV <sub>SS</sub> = DV <sub>SS</sub> (connected together)			2.2		3.6	V
AI <sub>CC</sub>	Scan IF oscillator operating supply current into AV <sub>CC</sub> terminal			2.2 V			75	μA
				3 V			90	
f <sub>SIFCLKG = 0</sub>	Scan IF oscillator at minimum setting	T <sub>A</sub> = 25°C, SIFCLKFQ = 0000	SIFNOM = 0		1.8		3.2	MHz
			SIFNOM = 1		0.45		0.8	
f <sub>SIFCLKG = 8</sub>	Scan IF oscillator at nominal setting	T <sub>A</sub> = 25°C, SIFCLKFQ = 0000	SIFNOM = 0			4		MHz
			SIFNOM = 1			1		
f <sub>SIFCLKG = 15</sub>	Scan IF oscillator at maximum setting	T <sub>A</sub> = 25°C, SIFCLKFQ = 0000	SIFNOM = 0		4.48		6.8	MHz
			SIFNOM = 1		1.12		1.7	
t <sub>on(SIFCLKG)</sub>	Settling time to full operation after V <sub>CC</sub> is switched on			2.2 V, 3 V	150		500	ns
S <sub>(SIFCLK)</sub>	Frequency change per ±1 SIFCLKFQ(SIFCTL5) step	S <sub>(SIFCLK)</sub> = f <sub>(SIFCLKFQ + 1)</sub> / f <sub>(SIFCLKFQ)</sub>		2.2 V, 3 V	1.01	1.05	1.18	Hz/Hz
D <sub>t</sub>	Temperature Coefficient	SIFCLKFQ(SIFCTL5) = 8		2.2 V, 3 V			0.35	%/_C
D <sub>V</sub>	Frequency vs supply voltage V <sub>CC</sub> variation	SIFCLKFQ(SIFCTL5) = 8		2.2 V, 3 V			2	%/V

### Flash Memory

over recommended operating free-air temperature range (unless otherwise noted)

PARAMETER		TEST CONDITIONS	V <sub>CC</sub>	MIN	TYP	MAX	UNIT
V <sub>CC(PGM/ERASE)</sub>	Program and erase supply voltage			2.7		3.6	V
f <sub>FTG</sub>	Flash timing generator frequency			257		476	kHz
I <sub>PGM</sub>	Supply current from DV <sub>CC</sub> during program		2.7 V, 3.6 V		3	5	mA
I <sub>ERASE</sub>	Supply current from DV <sub>CC</sub> during erase		2.7 V, 3.6 V		3	7	mA
t <sub>CPT</sub>	Cumulative program time	(1)	2.7 V, 3.6 V			10	ms
t <sub>CMERASE</sub>	Cumulative mass erase time	(2)	2.7 V, 3.6 V	20			ms
	Program and erase endurance			10 <sup>4</sup>	10 <sup>5</sup>		cycles
t <sub>Retention</sub>	Data retention duration	T <sub>J</sub> = 25°C		100			years
t <sub>Word</sub>	Word or byte program time	(3)			35		t <sub>FTG</sub>
t <sub>Block, 0</sub>	Block program time for 1st byte or word				30		
t <sub>Block, 1-63</sub>	Block program time for each additional byte or word				21		
t <sub>Block, End</sub>	Block program end-sequence wait time				6		
t <sub>Mass Erase</sub>	Mass erase time				5297		
t <sub>Seg Erase</sub>	Segment erase time				4819		

- (1) The cumulative program time must not be exceeded when writing to a 64-byte flash block. This parameter applies to all programming methods: individual word/byte write and block write modes.
- (2) The mass erase duration generated by the flash timing generator is at least 11.1 ms (= 5297 × (1 / f<sub>FTG,max</sub>) = 5297 × (1 / 476 kHz)). To achieve the required cumulative mass erase time, the Flash Controller's mass erase operation can be repeated until this time is met. (A worst case minimum of 19 cycles are required).
- (3) These values are hardwired into the Flash Controller's state machine (t<sub>FTG</sub> = 1/f<sub>FTG</sub>).

## JTAG Interface

over recommended operating free-air temperature range (unless otherwise noted)

PARAMETER		TEST CONDITIONS	V <sub>CC</sub>	MIN	TYP	MAX	UNIT
f <sub>TCK</sub>	TCK input frequency	(1)	2.2 V	0		5	MHz
			3V	0		10	MHz
R <sub>Internal</sub>	Internal pullup resistance on TMS, TCK, TDI/TCLK	(2)	2.2 V, 3 V	25	60	90	kΩ

(1) f<sub>TCK</sub> may be restricted to meet the timing requirements of the module selected.

(2) TMS, TDI/TCLK, and TCK pullup resistors are implemented in all versions.

## JTAG Fuse<sup>(1)</sup>

over recommended operating free-air temperature range (unless otherwise noted)

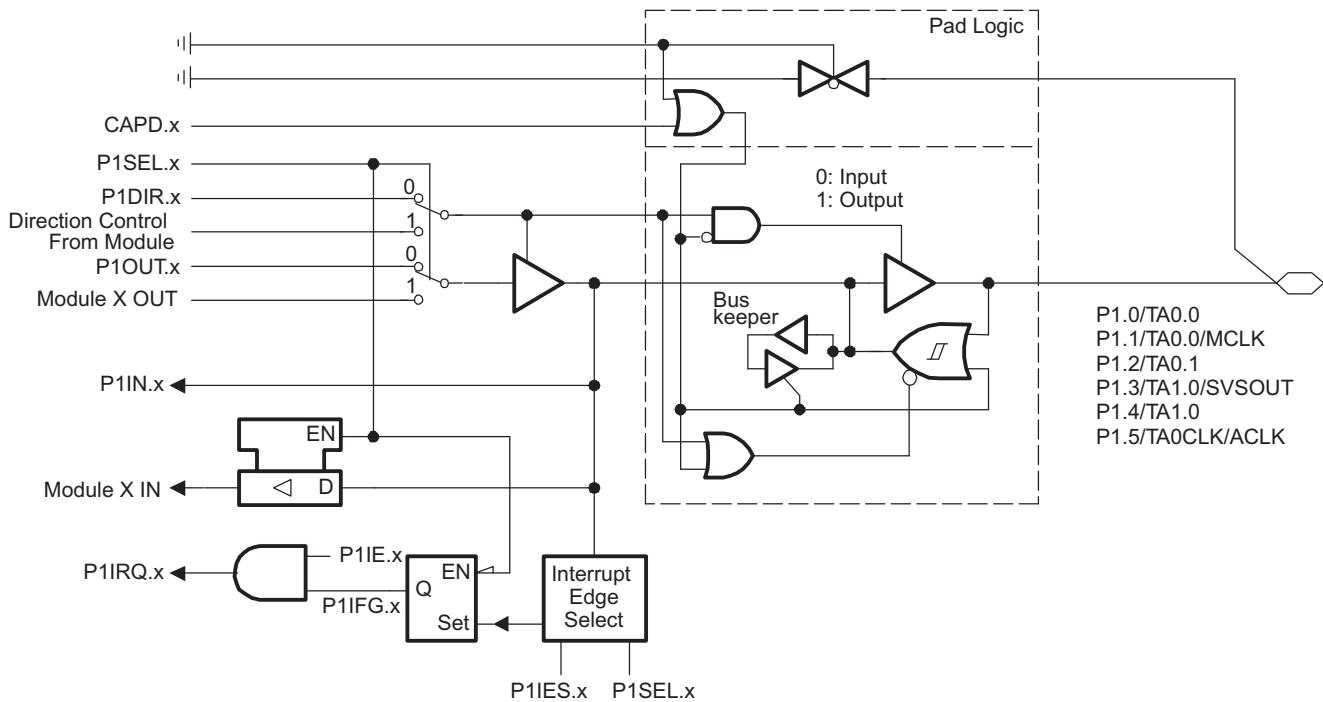
PARAMETER		TEST CONDITIONS	V <sub>CC</sub>	MIN	TYP	MAX	UNIT
V <sub>CC(FB)</sub>	Supply voltage during fuse-blow condition	T <sub>A</sub> = 25°C		2.5			V
V <sub>FB</sub>	Voltage level on TDI/TCLK for fuse-blow:			6		7	V
I <sub>FB</sub>	Supply current into TDI/TCLK during fuse blow					100	mA
t <sub>FB</sub>	Time to blow fuse					1	ms

(1) After the fuse is blown, no further access to the MSP430 JTAG/Test and emulation features is possible. The JTAG block is switched to bypass mode.

**MSP430FW429, MSP430FW428  
MSP430FW427, MSP430FW425, MSP430FW423**

SLAS383E – OCTOBER 2003 – REVISED DECEMBER 2013

www.ti.com

**APPLICATION INFORMATION**
**Port P1, P1.0 to P1.5, Input/Output With Schmitt Trigger**
NOTE:  $0 \leq x \leq 5$ .

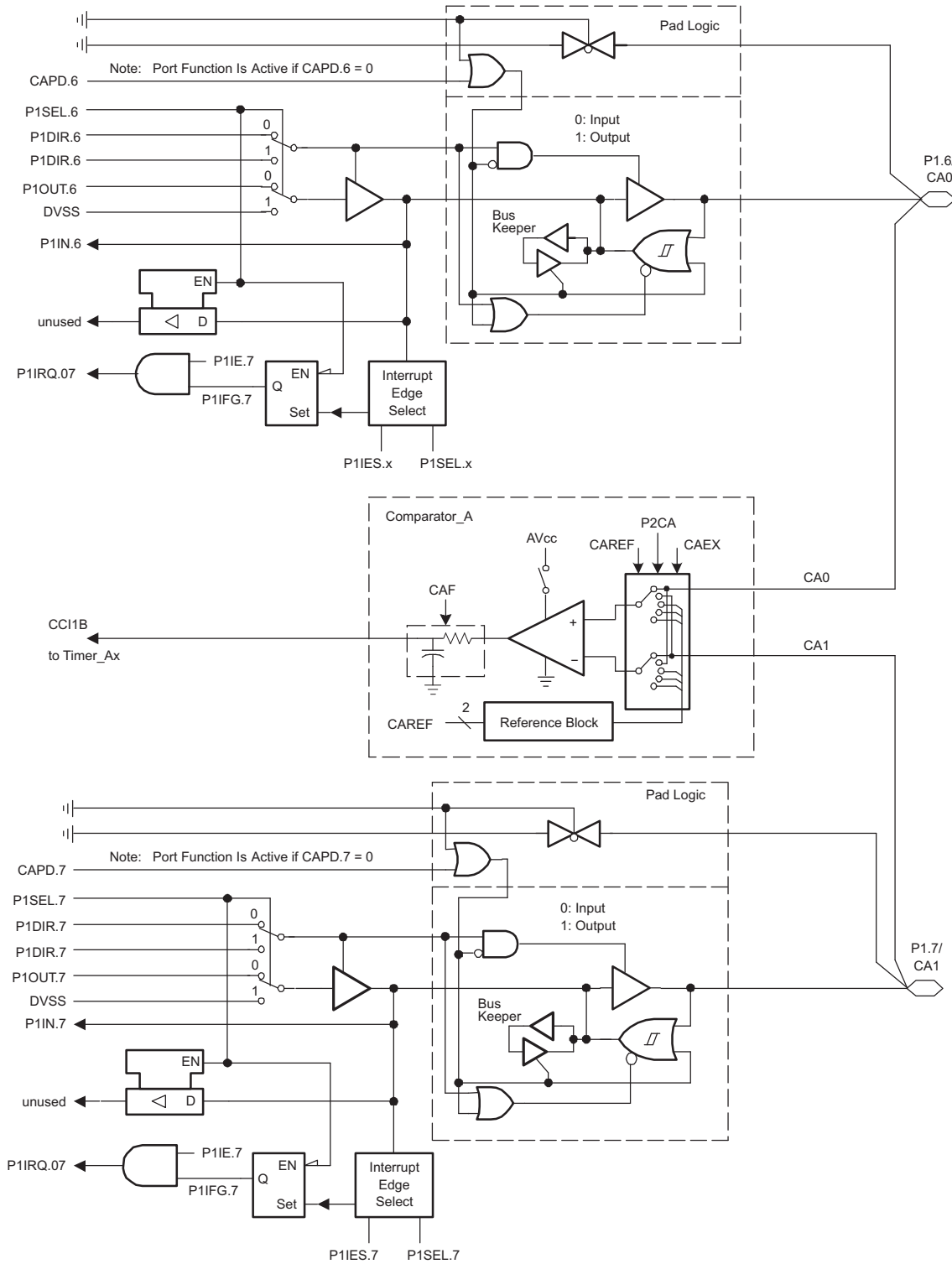
Port Function is Active if CAPD.x = 0

PnSEL.x	PnDIR.x	Direction Control From Module	PnOUT.x	Module X OUT	PnIN.x	Module X IN	PnIE.x	PnIFG.x	PnIES.x
P1SEL.0	P1DIR.0	P1DIR.0	P1OUT.0	Out0 Sig.†	P1IN.0	CCI0A†	P1IE.0	P1IFG.0	P1IES.0
P1SEL.1	P1DIR.1	P1DIR.1	P1OUT.1	MCLK	P1IN.1	CCI0B†	P1IE.1	P1IFG.1	P1IES.1
P1SEL.2	P1DIR.2	P1DIR.2	P1OUT.2	Out1 Sig.†	P1IN.2	CCI1A†	P1IE.2	P1IFG.2	P1IES.2
P1SEL.3	P1DIR.3	P1DIR.3	P1OUT.3	SVSOUT	P1IN.3	CCI0B‡	P1IE.3	P1IFG.3	P1IES.3
P1SEL.4	P1DIR.4	P1DIR.4	P1OUT.4	Out0 Sig.‡	P1IN.4	CCI0A‡	P1IE.4	P1IFG.4	P1IES.4
P1SEL.5	P1DIR.5	P1DIR.5	P1OUT.5	ACLK	P1IN.5	T0ACLK†	P1IE.5	P1IFG.5	P1IES.5

† Timer0\_A

‡ Timer1\_A

Port P1, P1.6, P1.7 Input/Output With Schmitt Trigger

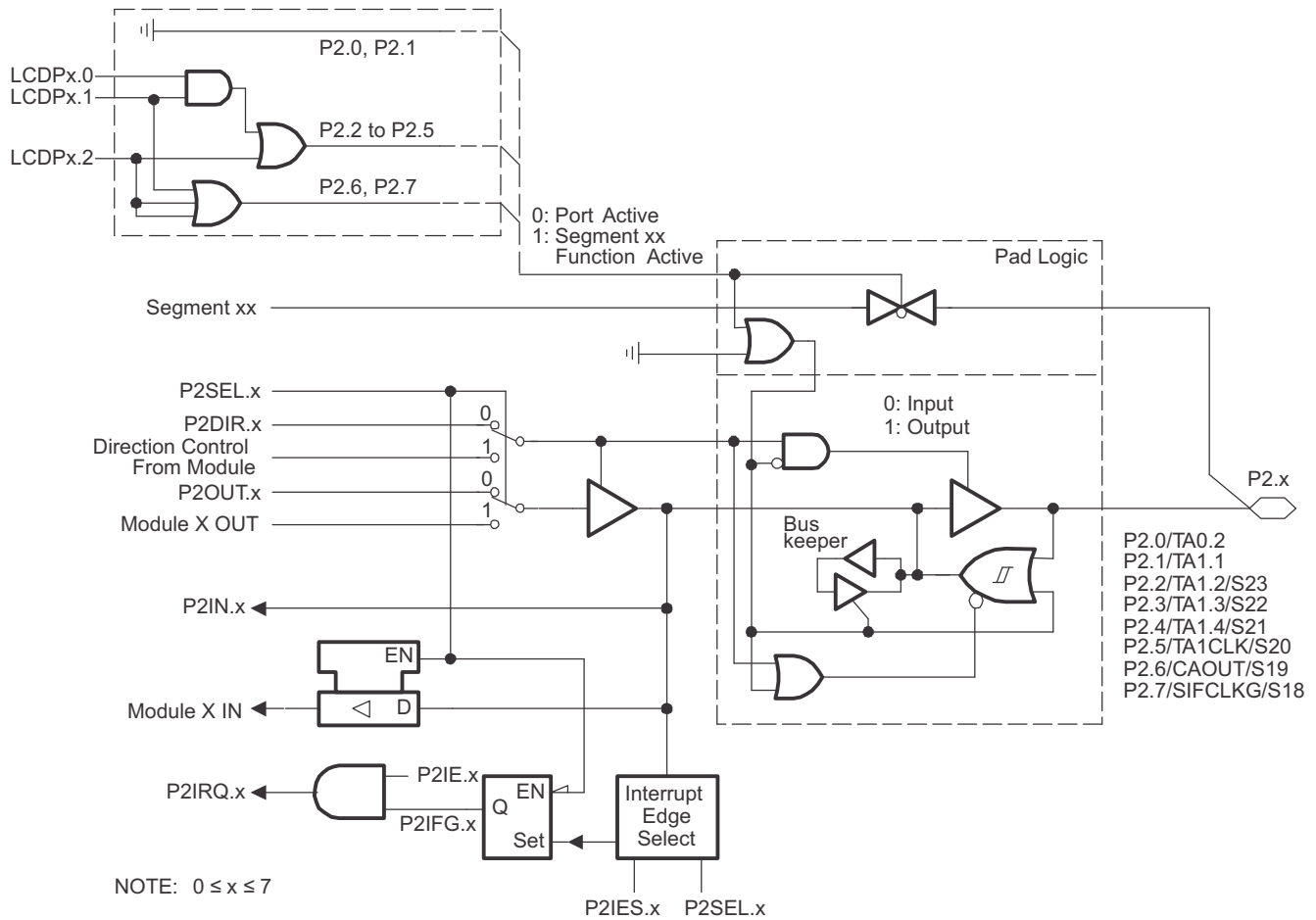


**MSP430FW429, MSP430FW428**  
**MSP430FW427, MSP430FW425, MSP430FW423**

SLAS383E –OCTOBER 2003–REVISED DECEMBER 2013

www.ti.com

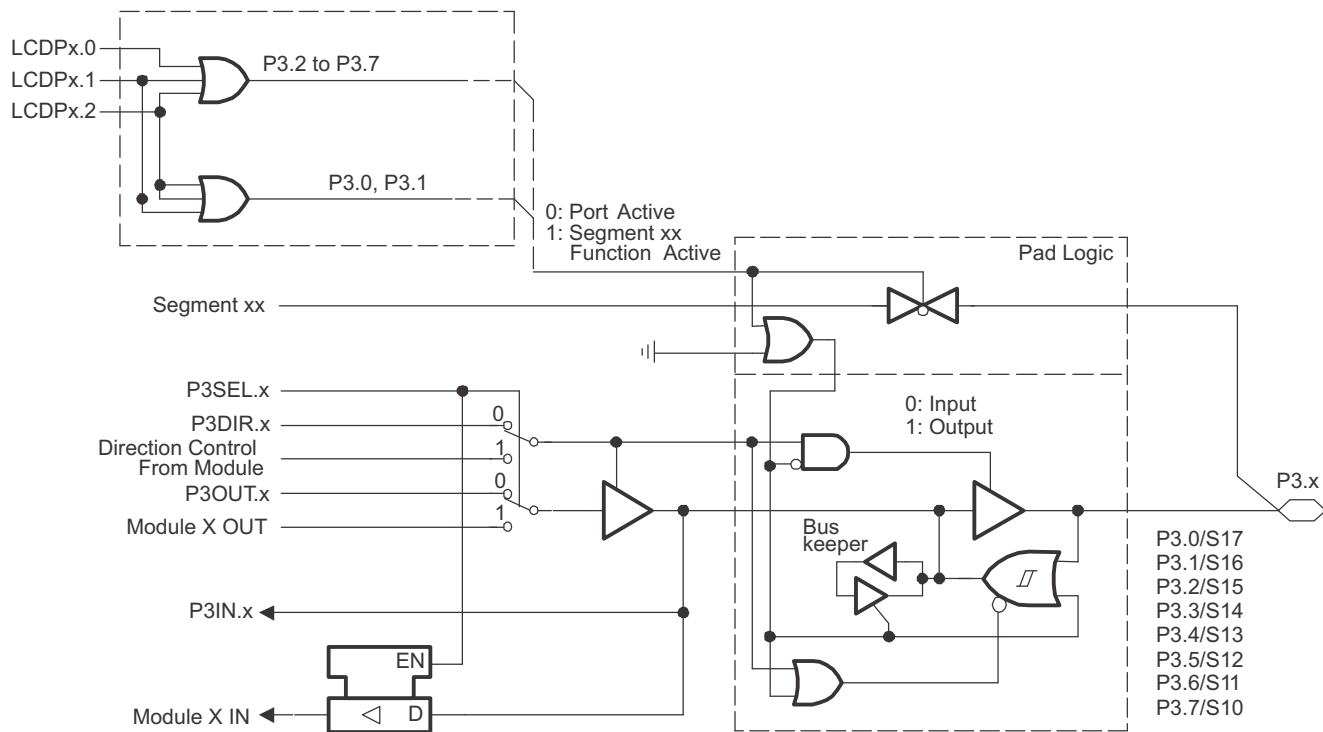
**Port P2, P2.0 to P2.7, Input/Output With Schmitt Trigger**



PnSEL.x	PnDIR.x	Direction Control From Module	PnOUT.x	Module X OUT	PnIN.x	Module X IN	PnIE.x	PnIFG.x	PnIES.x
P2SEL.0	P2DIR.0	P2DIR.0	P2OUT.0	Out2 Sig.†	P2IN.0	CCI2A†	P2IE.0	P2IFG.0	P2IES.0
P2SEL.1	P2DIR.1	P2DIR.1	P2OUT.1	Out1 Sig.‡	P2IN.1	CCI1A‡	P2IE.1	P2IFG.1	P2IES.1
P2SEL.2	P2DIR.2	P2DIR.2	P2OUT.2	Out2 Sig.‡	P2IN.2	CCI2A‡	P2IE.2	P2IFG.2	P2IES.2
P2SEL.3	P2DIR.3	P2DIR.3	P2OUT.3	Out3 Sig.‡	P2IN.3	CCI3A‡	P2IE.3	P2IFG.3	P2IES.3
P2SEL.4	P2DIR.4	P2DIR.4	P2OUT.4	Out4 Sig.‡	P2IN.4	CCI4A‡	P2IE.4	P2IFG.4	P2IES.4
P2SEL.5	P2DIR.5	P2DIR.5	P2OUT.5	DVSS	P2IN.5	TA1CLK1‡	P2IE.5	P2IFG.5	P2IES.5
P2SEL.6	P2DIR.6	P2DIR.6	P2OUT.6	CAOUT	P2IN.6	Unused	P2IE.6	P2IFG.6	P2IES.6
P2SEL.7	P2DIR.7	P2DIR.7	P2OUT.7	SIFCLKG§	P2IN.7	Unused	P2IE.7	P2IFG.7	P2IES.7

†Timer0\_A  
 ‡Timer1\_A  
 §Scan IF

Port P3, P3.0 to P3.7, Input/Output With Schmitt Trigger



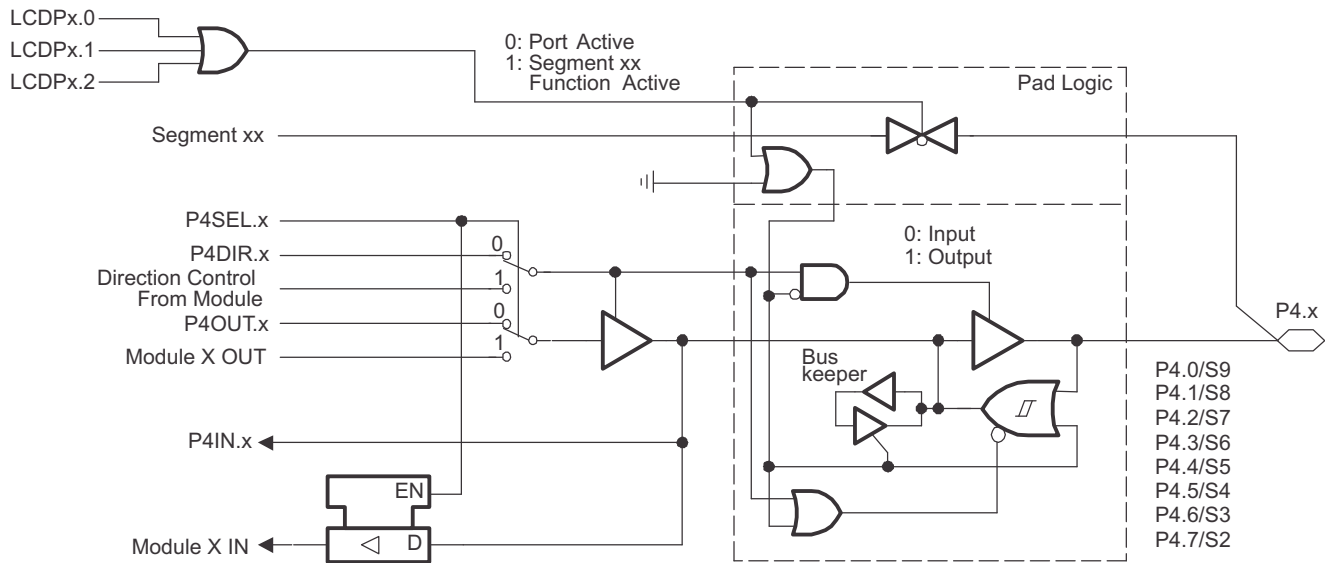
NOTE:  $0 \leq x \leq 7$

PnSEL.x	PnDIR.x	Direction Control From Module	PnOUT.x	Module X OUT	PnIN.x	Module X IN
P3SEL.0	P3DIR.0	P3DIR.0	P3OUT.0	DVSS	P3IN.0	Unused
P3SEL.1	P3DIR.1	P3DIR.1	P3OUT.1	DVSS	P3IN.1	Unused
P3SEL.2	P3DIR.2	P3DIR.2	P3OUT.2	DVSS	P3IN.2	Unused
P3SEL.3	P3DIR.3	P3DIR.3	P3OUT.3	DVSS	P3IN.3	Unused
P3SEL.4	P3DIR.4	P3DIR.4	P3OUT.4	DVSS	P3IN.4	Unused
P3SEL.5	P3DIR.5	P3DIR.5	P3OUT.5	DVSS	P3IN.5	Unused
P3SEL.6	P3DIR.6	P3DIR.6	P3OUT.6	DVSS	P3IN.6	Unused
P3SEL.7	P3DIR.7	P3DIR.7	P3OUT.7	DVSS	P3IN.7	Unused

**MSP430FW429, MSP430FW428  
MSP430FW427, MSP430FW425, MSP430FW423**

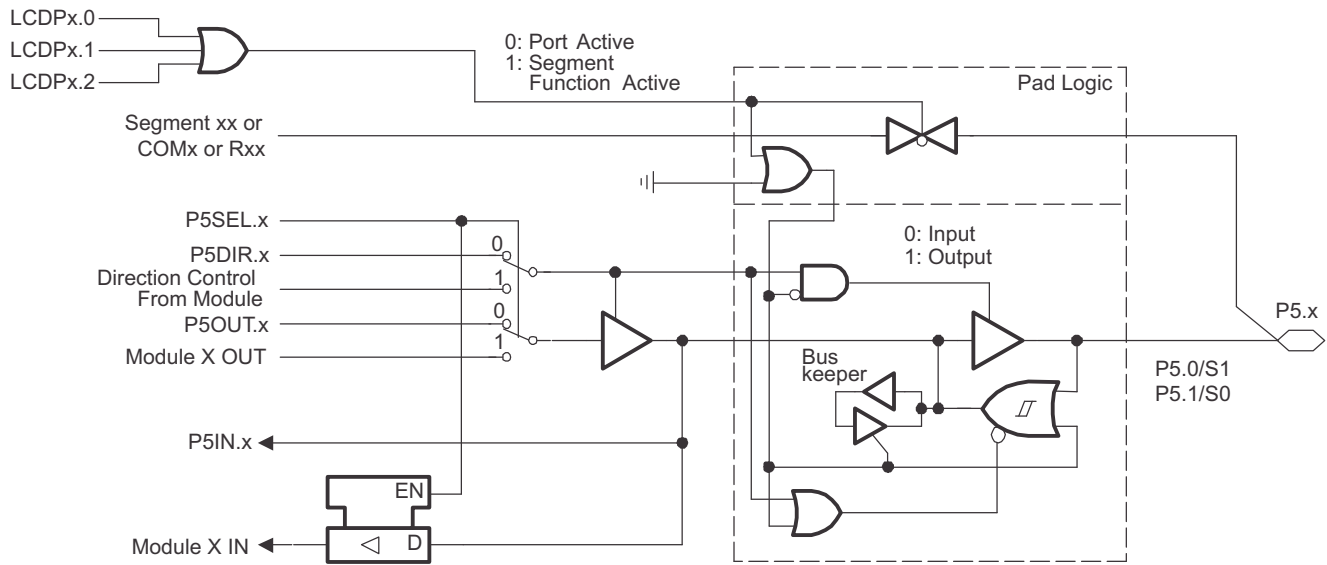
SLAS383E – OCTOBER 2003 – REVISED DECEMBER 2013

www.ti.com

**Port P4, P4.0 to P4.7, Input/Output With Schmitt Trigger**
NOTE:  $0 \leq x \leq 7$ 

PnSEL.x	PnDIR.x	Direction Control From Module	PnOUT.x	Module X OUT	PnIN.x	Module X IN
P4SEL.0	P4DIR.0	P4DIR.0	P4OUT.0	DVSS	P4IN.0	Unused
P4SEL.1	P4DIR.1	P4DIR.1	P4OUT.1	DVSS	P4IN.1	Unused
P4SEL.2	P4DIR.2	P4DIR.2	P4OUT.2	DVSS	P4IN.2	Unused
P4SEL.3	P4DIR.3	P4DIR.3	P4OUT.3	DVSS	P4IN.3	Unused
P4SEL.4	P4DIR.4	P4DIR.4	P4OUT.4	DVSS	P4IN.4	Unused
P4SEL.5	P4DIR.5	P4DIR.5	P4OUT.5	DVSS	P4IN.5	Unused
P4SEL.6	P4DIR.6	P4DIR.6	P4OUT.6	DVSS	P4IN.6	Unused
P4SEL.7	P4DIR.7	P4DIR.7	P4OUT.7	DVSS	P4IN.7	Unused

### Port P5, P5.0, P5.1, Input/Output With Schmitt Trigger



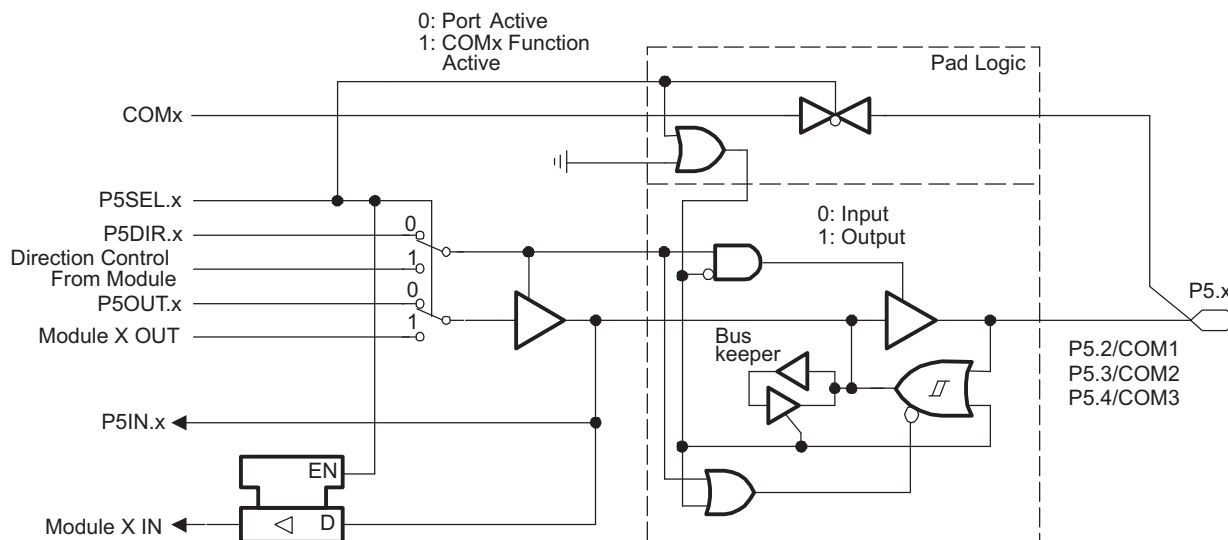
NOTE: x = 0, 1

PnSEL.x	PnDIR.x	Direction Control From Module	PnOUT.x	Module X OUT	PnIN.x	Module X IN	Segment
P5SEL.0	P5DIR.0	P5DIR.0	P5OUT.0	DVSS	P5IN.0	Unused	S1
P5SEL.1	P5DIR.1	P5DIR.1	P5OUT.1	DVSS	P5IN.1	Unused	S0

**MSP430FW429, MSP430FW428  
MSP430FW427, MSP430FW425, MSP430FW423**

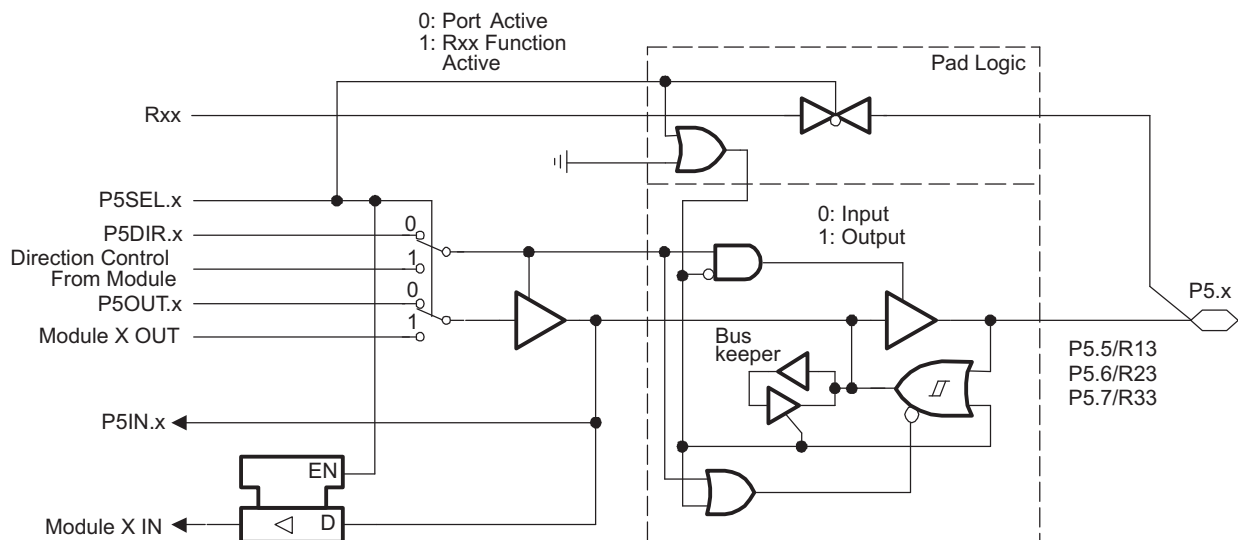
SLAS383E – OCTOBER 2003 – REVISED DECEMBER 2013

www.ti.com

**Port P5, P5.2 to P5.4, Input/Output With Schmitt Trigger**
NOTE:  $2 \leq x \leq 4$ 

PnSEL.x	PnDIR.x	Direction Control From Module	PnOUT.x	Module X OUT	PnIN.x	Module X IN	COMx
P5SEL.2	P5DIR.2	P5DIR.2	P5OUT.2	DVSS	P5IN.2	Unused	COM1
P5SEL.3	P5DIR.3	P5DIR.3	P5OUT.3	DVSS	P5IN.3	Unused	COM2
P5SEL.4	P5DIR.4	P5DIR.4	P5OUT.4	DVSS	P5IN.4	Unused	COM3

Port P5, P5.5 to P5.7, Input/Output With Schmitt Trigger



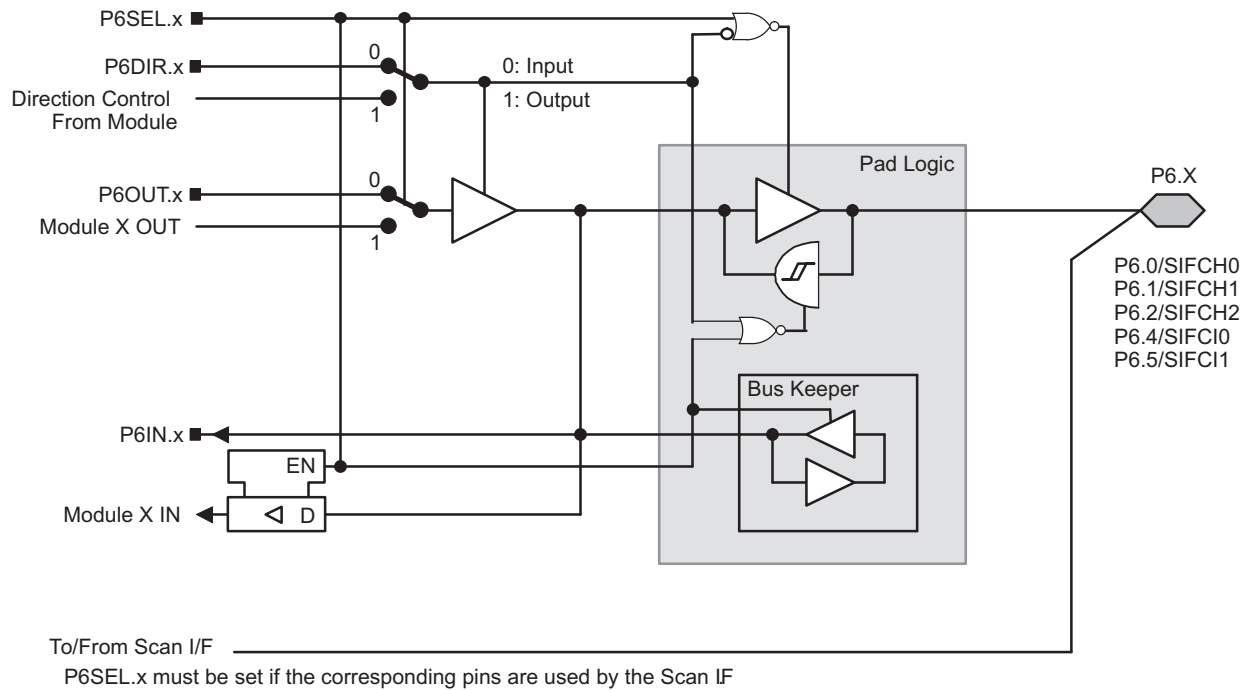
NOTE:  $5 \leq x \leq 7$

PnSEL.x	PnDIR.x	Direction Control From Module	PnOUT.x	Module X OUT	PnIN.x	Module X IN	Rxx
P5SEL.5	P5DIR.5	P5DIR.5	P5OUT.5	DVSS	P5IN.5	Unused	R13
P5SEL.6	P5DIR.6	P5DIR.6	P5OUT.6	DVSS	P5IN.6	Unused	R23
P5SEL.7	P5DIR.7	P5DIR.7	P5OUT.7	DVSS	P5IN.7	Unused	R33

**MSP430FW429, MSP430FW428  
MSP430FW427, MSP430FW425, MSP430FW423**

SLAS383E – OCTOBER 2003 – REVISED DECEMBER 2013

www.ti.com

**Port P6, P6.0, P6.1, P6.2, P6.4, P6.5, Input/Output With Schmitt Trigger**


x: Bit Identifier = 0, 1, 2, 4, or 5

**NOTE**

Analog signals applied to digital gates can cause current flow from the positive to the negative terminal. The throughput current flows if the analog signal is in the range of transitions 0→1 or 1→0. The value of the throughput current depends on the driving capability of the gate. For MSP430, it is approximately 100  $\mu$ A.

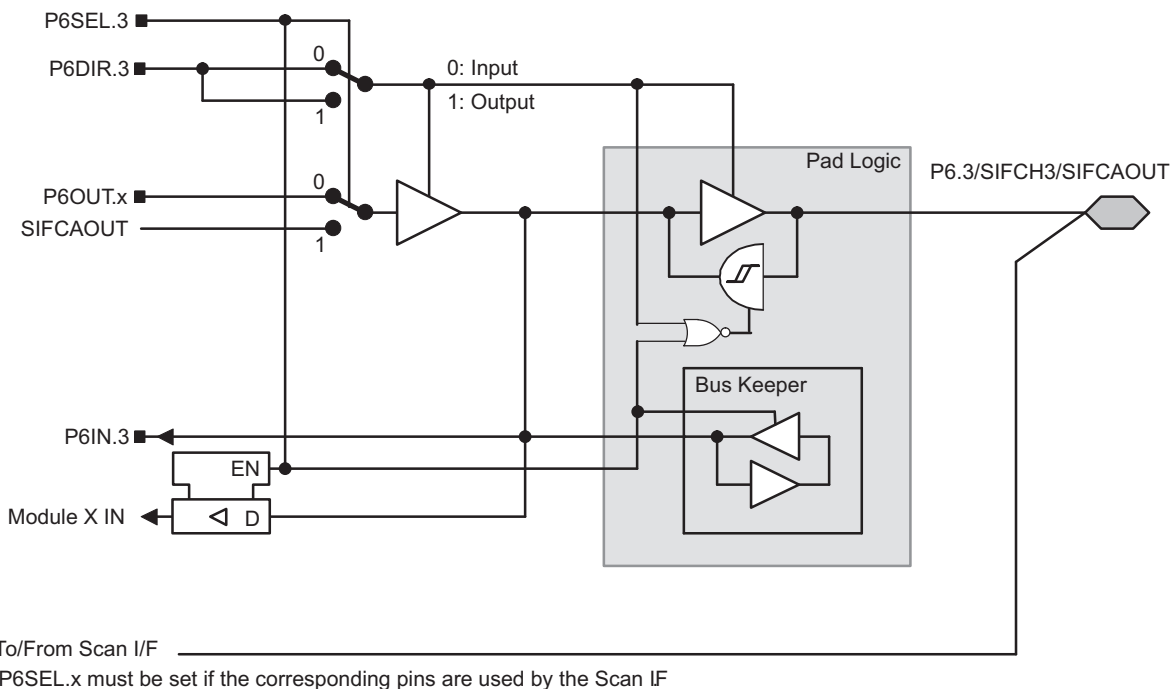
Use P6SEL.x=1 to prevent throughput current. P6SEL.x should be set, if an analog signal is applied to the pin.

PnSEL.x	PnDIR.x	Dir. Control From Module	PnOUT.x	Module X OUT	PnIN.x	Module X IN
P6Sel.0	P6DIR.0	P6DIR.0	P6OUT.0	DVSS	P6IN.0	unused
P6Sel.1	P6DIR.1	P6DIR.1	P6OUT.1	DVSS	P6IN.1	unused
P6Sel.2	P6DIR.2	P6DIR.2	P6OUT.2	DVSS	P6IN.2	unused
P6Sel.4	P6DIR.4	P6DIR.4	P6OUT.4	DVSS	P6IN.4	unused
P6Sel.5	P6DIR.5	P6DIR.5	P6OUT.5	DVSS	P6IN.5	unused

**NOTE**

The signal at pins P6.x/SIFCHx and P6.x/SIFClx are shared by Port P6 and the Scan IF module. P6SEL.x must be set if the corresponding pins are used by the Scan IF.

**Port P6, P6.3 Input/Output With Schmitt Trigger**



**NOTE**

Analog signals applied to digital gates can cause current flow from the positive to the negative terminal. The throughput current flows if the analog signal is in the range of transitions 0→1 or 1→0. The value of the throughput current depends on the driving capability of the gate. For MSP430, it is approximately 100 μA.

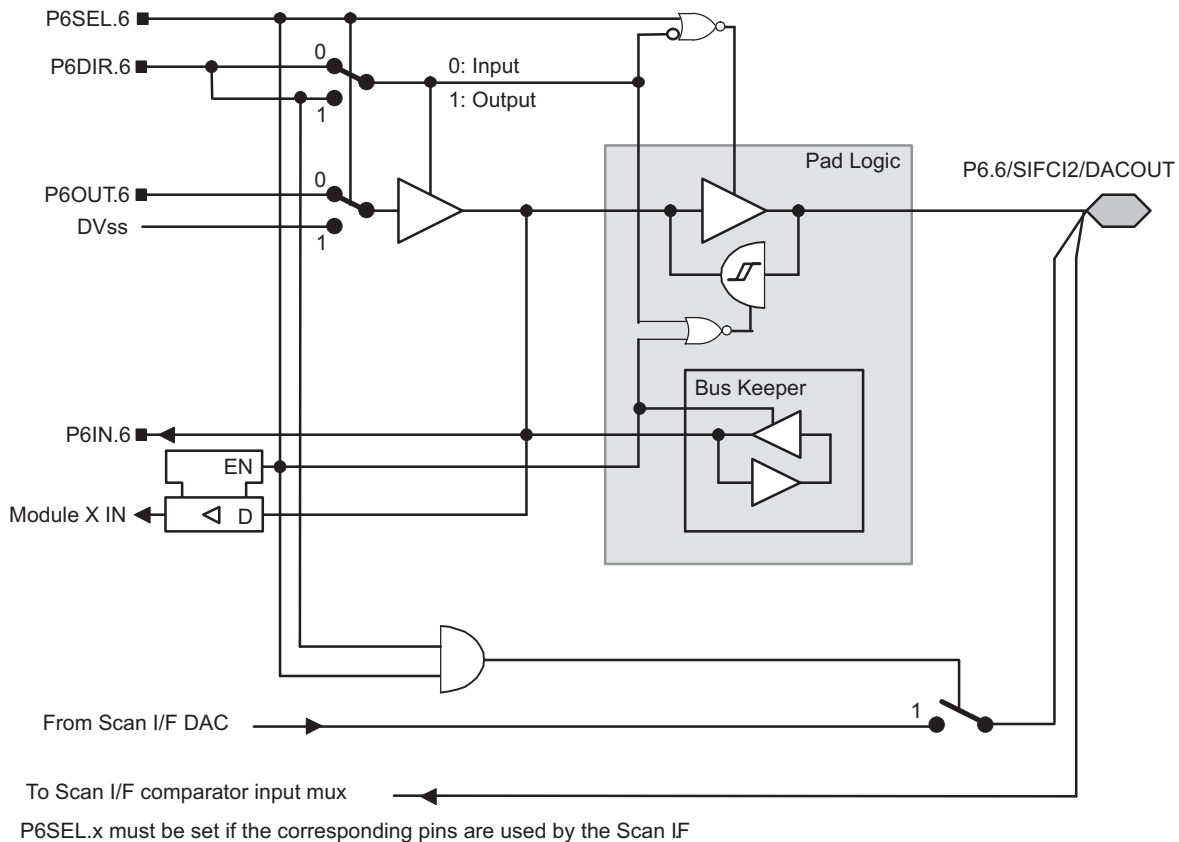
Use P6SEL.x=1 to prevent throughput current. P6SEL.x should be set, if an analog signal is applied to the pin.

P6SEL.3	P6DIR.3	Port Function
0	0	P6.3 Input
0	1	P6.3 Output
1	0	SIFCH3 (Scan IF channel 3 excitation output and comparator input)
1	1	SIFCAOUT (Comparator output)

**MSP430FW429, MSP430FW428  
MSP430FW427, MSP430FW425, MSP430FW423**

SLAS383E –OCTOBER 2003–REVISED DECEMBER 2013

www.ti.com

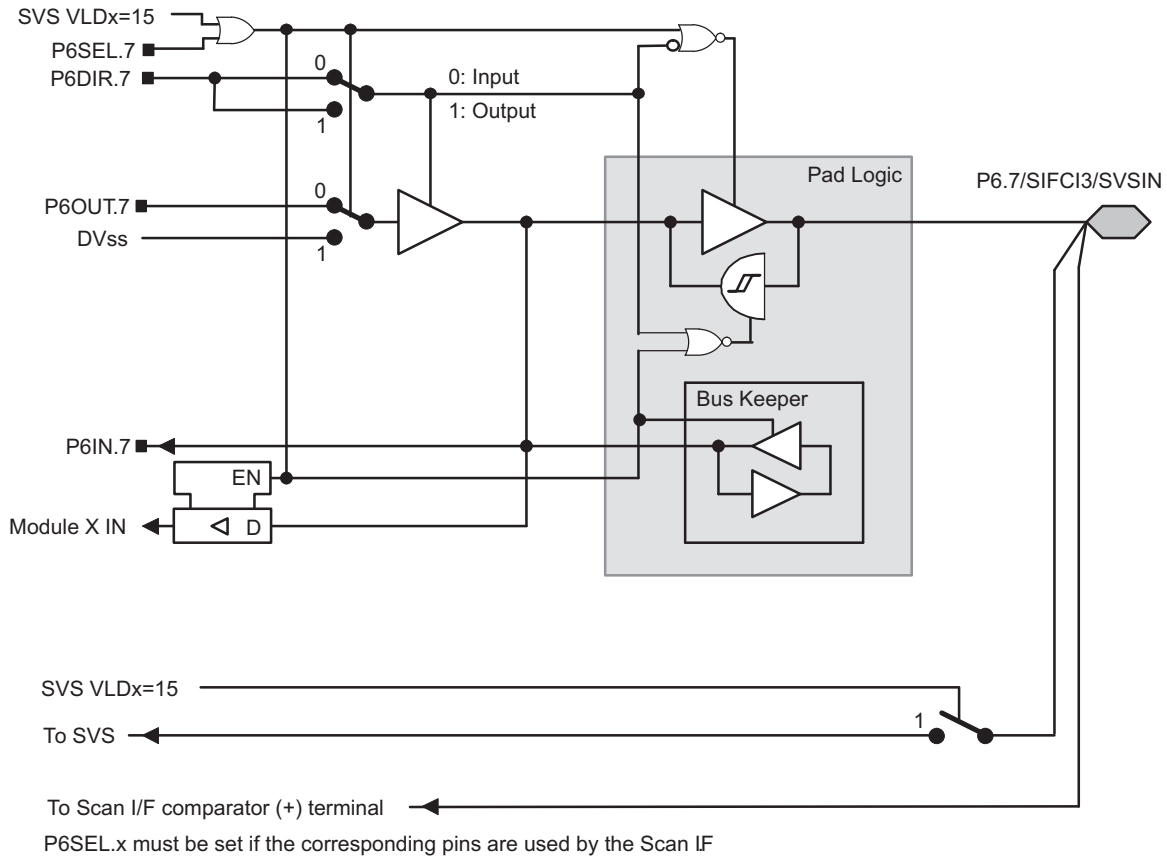
**Port P6, P6.6 Input/Output With Schmitt Trigger**

**NOTE**

Analog signals applied to digital gates can cause current flow from the positive to the negative terminal. The throughput current flows if the analog signal is in the range of transitions 0→1 or 1→0. The value of the throughput current depends on the driving capability of the gate. For MSP430, it is approximately 100  $\mu$ A.

Use P6SEL.x=1 to prevent throughput current. P6SEL.x should be set, if an analog signal is applied to the pin.

P6SEL.6	P6DIR.6	Port Function
0	0	P6.6 Input
0	1	P6.6 Output
1	0	SIFCI2 (Scan IF channel 2 comparator input)
1	1	SIFDAOUT (Scan IF DAC output)

### Port P6, P6.7 Input/Output With Schmitt Trigger



#### NOTE

Analog signals applied to digital gates can cause current flow from the positive to the negative terminal. The throughput current flows if the analog signal is in the range of transitions 0→1 or 1→0. The value of the throughput current depends on the driving capability of the gate. For MSP430, it is approximately 100  $\mu$ A.

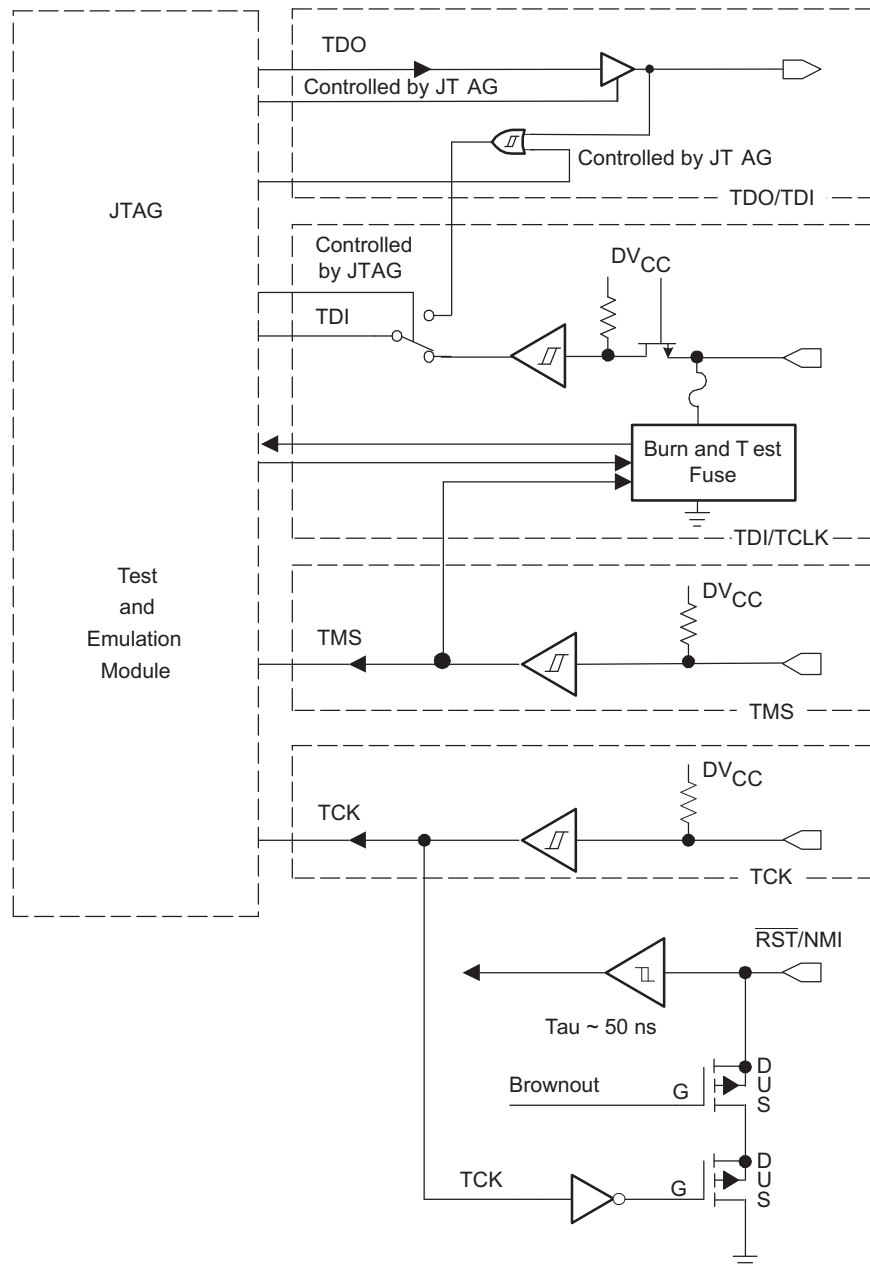
Use P6SEL.x=1 to prevent throughput current. P6SEL.x should be set, if an analog signal is applied to the pin.

SVS VLDx = 15	P6SEL.7	P6DIR.7	Port Function
0	0	0	P6.7 Input
0	0	1	P6.7 Output
0	1	X	SIFCI3 (Scan IF channel 3 comparator input)
1	X	X	SVSIN

**MSP430FW429, MSP430FW428  
MSP430FW427, MSP430FW425, MSP430FW423**

SLAS383E –OCTOBER 2003–REVISED DECEMBER 2013

www.ti.com

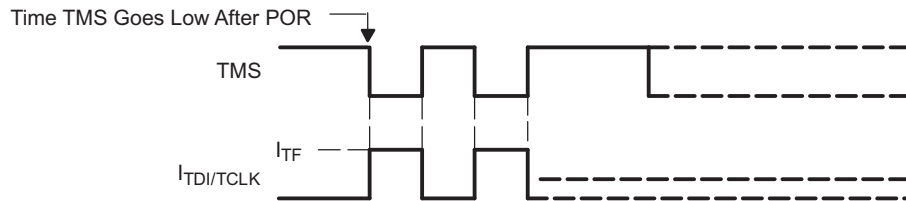
**JTAG Pins TMS, TCK, TDI/TCLK, TDO/TDI, Input/Output with Schmitt-Trigger or Output**


## JTAG Fuse Check Mode

MSP430 devices that have the fuse on the TDI/TCLK terminal have a fuse check mode that tests the continuity of the fuse the first time the JTAG port is accessed after a power-on reset (POR). When activated, a fuse check current ( $I_{TF}$ ) of 1.8 mA at 3 V can flow from the TDI/TCLK pin to ground if the fuse is not burned. Care must be taken to avoid accidentally activating the fuse check mode and increasing overall system power consumption.

Activation of the fuse check mode occurs with the first negative edge on the TMS pin after power up or if the TMS is being held low during power up. The second positive edge on the TMS pin deactivates the fuse check mode. After deactivation, the fuse check mode remains inactive until another POR occurs. After each POR the fuse check mode has the potential to be activated.

The fuse check current only flows when the fuse check mode is active and the TMS pin is in a low state (see [Figure 21](#)). Therefore, the additional current flow can be prevented by holding the TMS pin high (default condition). The JTAG pins are terminated internally and therefore do not require external termination.



**Figure 21. Fuse Check Mode Current**

**MSP430FW429, MSP430FW428  
MSP430FW427, MSP430FW425, MSP430FW423**

SLAS383E – OCTOBER 2003 – REVISED DECEMBER 2013

www.ti.com

### REVISION HISTORY

REVISION	COMMENTS
SLAS383	Initial release
SLAS383A	<p>Clarified descriptions for AV<sub>CC</sub> and AV<sub>SS</sub> in Terminal Functions table (page 4)</p> <p>Clarified notes in Interrupt Vector Addresses (page 8)</p> <p>Removed V<sub>IL</sub> and V<sub>IH</sub> entries from Recommended Operating Conditions (page 18)</p> <p>Changed note 2 on Recommended Operating Conditions (page 18)</p> <p>Added to Wakeup LPM3 table (page 22)</p> <p>Removed TAx references in Comparator_A table (page 23)</p> <p>Clarified notes on Flash Memory table (page 36)</p>
SLAS383B	<p>Updated functional block diagram (page 3)</p> <p>Clarified test conditions in recommended operating conditions table (page 18)</p> <p>Clarified test conditions in electrical characteristics table (page 19)</p> <p>Added I<sub>kg(Px.x)</sub> for all ports in leakage current table (page 20)</p> <p>Clarified test conditions in DCO table (page 29)</p> <p>Changed t<sub>CPT</sub> maximum value from 4 ms to 10 ms in Flash Memory table (page 36)</p>
SLAS383C	Updated max values for V <sub>IC</sub> and V <sub>hys</sub> in Scan IF, Comparator table (page 35)
SLAS383D	Added information about FW428 and FW429
SLAS383E	<p><a href="#">Recommended Operating Conditions</a>, Added test conditions for typical values.</p> <p><a href="#">Port P2, P2.0 to P2.7, Input/Output With Schmitt Trigger</a>, At the top left of the image, changed LCDM.5, LCDM.6, and LCDM.7 to LCDPx.0, LCDPx.1, and LCDPx.2, respectively.</p> <p><a href="#">Port P3, P3.0 to P3.7, Input/Output With Schmitt Trigger</a>, At the top left of the image, changed LCDM.5, LCDM.6, and LCDM.7 to LCDPx.0, LCDPx.1, and LCDPx.2, respectively.</p> <p><a href="#">Port P4, P4.0 to P4.7, Input/Output With Schmitt Trigger</a>, At the top left of the image, changed LCDM.5, LCDM.6, and LCDM.7 to LCDPx.0, LCDPx.1, and LCDPx.2, respectively.</p> <p><a href="#">Port P5, P5.0, P5.1, Input/Output With Schmitt Trigger</a>, At the top left of the image, changed LCDM.5, LCDM.6, and LCDM.7 to LCDPx.0, LCDPx.1, and LCDPx.2, respectively.</p>

**PACKAGING INFORMATION**

Orderable part number	Status (1)	Material type (2)	Package   Pins	Package qty   Carrier	RoHS (3)	Lead finish/ Ball material (4)	MSL rating/ Peak reflow (5)	Op temp (°C)	Part marking (6)
FW427IPMR-ACTA	Active	Production	LQFP (PM)   64	1000   LARGE T&R	Yes	NIPDAU	Level-3-260C-168 HR	-40 to 85	M430FW427 REV #
<a href="#">MSP430FW423IPM</a>	Active	Production	LQFP (PM)   64	160   JEDEC TRAY (10+1)	Yes	NIPDAU	Level-3-260C-168 HR	-40 to 85	M430FW423
MSP430FW423IPM.B	Active	Production	LQFP (PM)   64	160   JEDEC TRAY (10+1)	Yes	NIPDAU	Level-3-260C-168 HR	-40 to 85	M430FW423
<a href="#">MSP430FW423IPMR</a>	Active	Production	LQFP (PM)   64	1000   LARGE T&R	Yes	NIPDAU	Level-3-260C-168 HR	-40 to 85	M430FW423
MSP430FW423IPMR.B	Active	Production	LQFP (PM)   64	1000   LARGE T&R	Yes	NIPDAU	Level-3-260C-168 HR	-40 to 85	M430FW423
<a href="#">MSP430FW425IPM</a>	Active	Production	LQFP (PM)   64	160   JEDEC TRAY (10+1)	Yes	NIPDAU	Level-3-260C-168 HR	-40 to 85	M430FW425
MSP430FW425IPM.B	Active	Production	LQFP (PM)   64	160   JEDEC TRAY (10+1)	Yes	NIPDAU	Level-3-260C-168 HR	-40 to 85	M430FW425
<a href="#">MSP430FW425IPMR</a>	Active	Production	LQFP (PM)   64	1000   LARGE T&R	Yes	NIPDAU	Level-3-260C-168 HR	-40 to 85	M430FW425
MSP430FW425IPMR.B	Active	Production	LQFP (PM)   64	1000   LARGE T&R	Yes	NIPDAU	Level-3-260C-168 HR	-40 to 85	M430FW425
<a href="#">MSP430FW427IPM</a>	Active	Production	LQFP (PM)   64	160   JEDEC TRAY (10+1)	Yes	NIPDAU	Level-3-260C-168 HR	-40 to 85	M430FW427 REV #
MSP430FW427IPM.B	Active	Production	LQFP (PM)   64	160   JEDEC TRAY (10+1)	Yes	NIPDAU	Level-3-260C-168 HR	-40 to 85	M430FW427 REV #
<a href="#">MSP430FW427IPMR</a>	Active	Production	LQFP (PM)   64	1000   LARGE T&R	Yes	NIPDAU	Level-3-260C-168 HR	-40 to 85	M430FW427 REV #
MSP430FW427IPMR.B	Active	Production	LQFP (PM)   64	1000   LARGE T&R	Yes	NIPDAU	Level-3-260C-168 HR	-40 to 85	M430FW427 REV #
<a href="#">MSP430FW428IPMR</a>	Active	Production	LQFP (PM)   64	1000   LARGE T&R	Yes	NIPDAU	Level-3-260C-168 HR	-40 to 85	M430FW428
MSP430FW428IPMR.B	Active	Production	LQFP (PM)   64	1000   LARGE T&R	Yes	NIPDAU	Level-3-260C-168 HR	-40 to 85	M430FW428
<a href="#">MSP430FW429IPM</a>	Active	Production	LQFP (PM)   64	160   JEDEC TRAY (10+1)	Yes	NIPDAU	Level-3-260C-168 HR	-40 to 85	M430FW429
MSP430FW429IPM.B	Active	Production	LQFP (PM)   64	160   JEDEC TRAY (10+1)	Yes	NIPDAU	Level-3-260C-168 HR	-40 to 85	M430FW429
<a href="#">MSP430FW429IPMR</a>	Active	Production	LQFP (PM)   64	1000   LARGE T&R	Yes	NIPDAU	Level-3-260C-168 HR	-40 to 85	M430FW429
MSP430FW429IPMR.B	Active	Production	LQFP (PM)   64	1000   LARGE T&R	Yes	NIPDAU	Level-3-260C-168 HR	-40 to 85	M430FW429

(1) **Status:** For more details on status, see our [product life cycle](#).

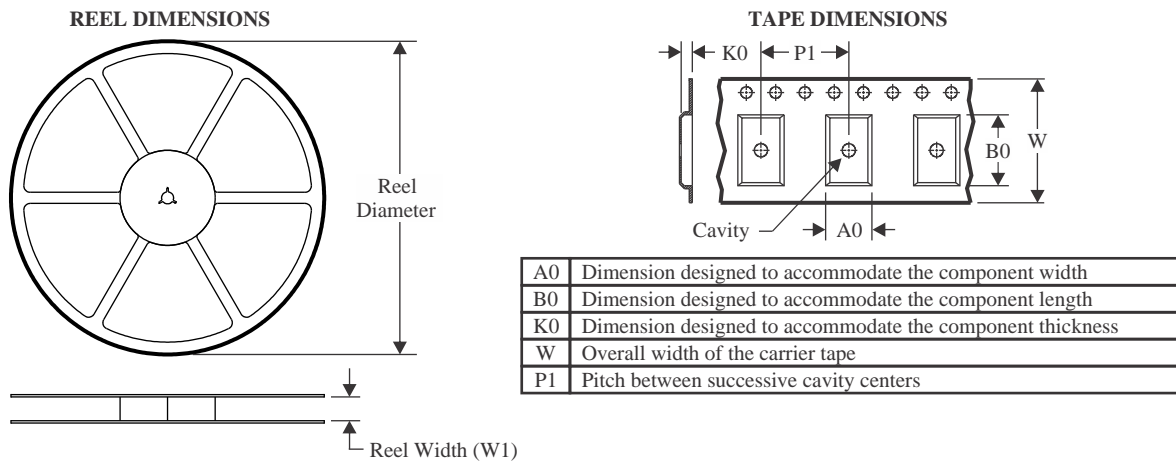
- (2) **Material type:** When designated, preproduction parts are prototypes/experimental devices, and are not yet approved or released for full production. Testing and final process, including without limitation quality assurance, reliability performance testing, and/or process qualification, may not yet be complete, and this item is subject to further changes or possible discontinuation. If available for ordering, purchases will be subject to an additional waiver at checkout, and are intended for early internal evaluation purposes only. These items are sold without warranties of any kind.
- (3) **RoHS values:** Yes, No, RoHS Exempt. See the [TI RoHS Statement](#) for additional information and value definition.
- (4) **Lead finish/Ball material:** Parts may have multiple material finish options. Finish options are separated by a vertical ruled line. Lead finish/Ball material values may wrap to two lines if the finish value exceeds the maximum column width.
- (5) **MSL rating/Peak reflow:** The moisture sensitivity level ratings and peak solder (reflow) temperatures. In the event that a part has multiple moisture sensitivity ratings, only the lowest level per JEDEC standards is shown. Refer to the shipping label for the actual reflow temperature that will be used to mount the part to the printed circuit board.
- (6) **Part marking:** There may be an additional marking, which relates to the logo, the lot trace code information, or the environmental category of the part.

Multiple part markings will be inside parentheses. Only one part marking contained in parentheses and separated by a "~" will appear on a part. If a line is indented then it is a continuation of the previous line and the two combined represent the entire part marking for that device.

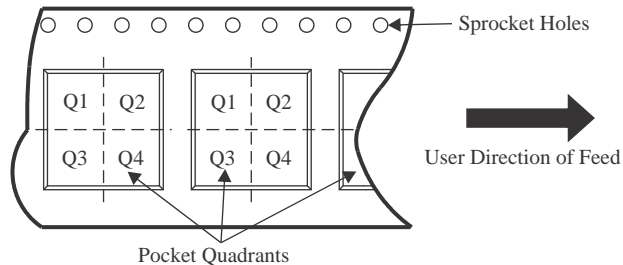
**Important Information and Disclaimer:** The information provided on this page represents TI's knowledge and belief as of the date that it is provided. TI bases its knowledge and belief on information provided by third parties, and makes no representation or warranty as to the accuracy of such information. Efforts are underway to better integrate information from third parties. TI has taken and continues to take reasonable steps to provide representative and accurate information but may not have conducted destructive testing or chemical analysis on incoming materials and chemicals. TI and TI suppliers consider certain information to be proprietary, and thus CAS numbers and other limited information may not be available for release.

In no event shall TI's liability arising out of such information exceed the total purchase price of the TI part(s) at issue in this document sold by TI to Customer on an annual basis.

## TAPE AND REEL INFORMATION



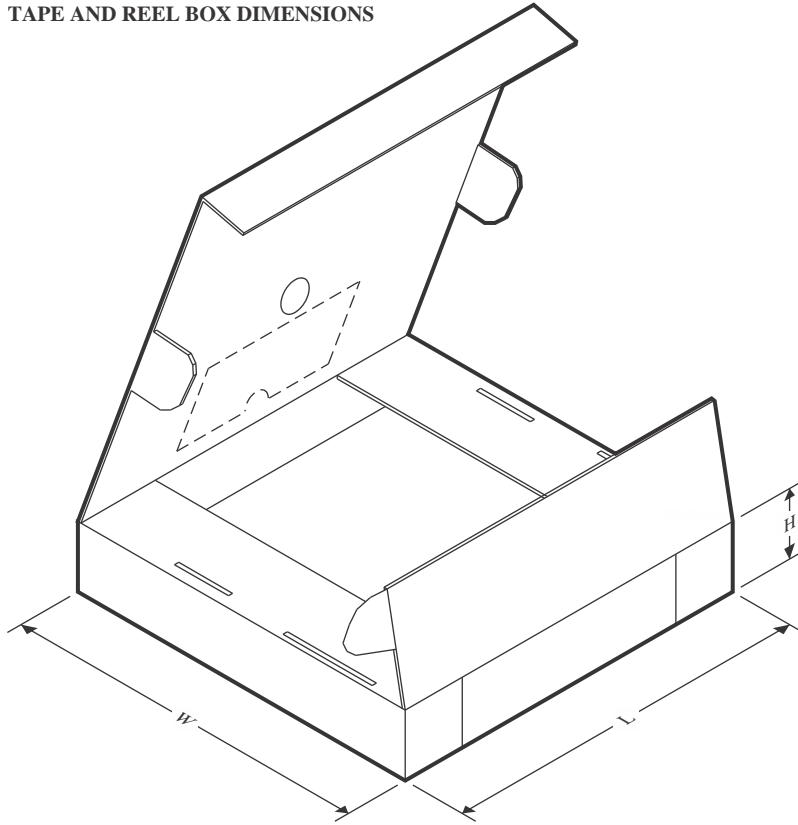
### QUADRANT ASSIGNMENTS FOR PIN 1 ORIENTATION IN TAPE



\*All dimensions are nominal

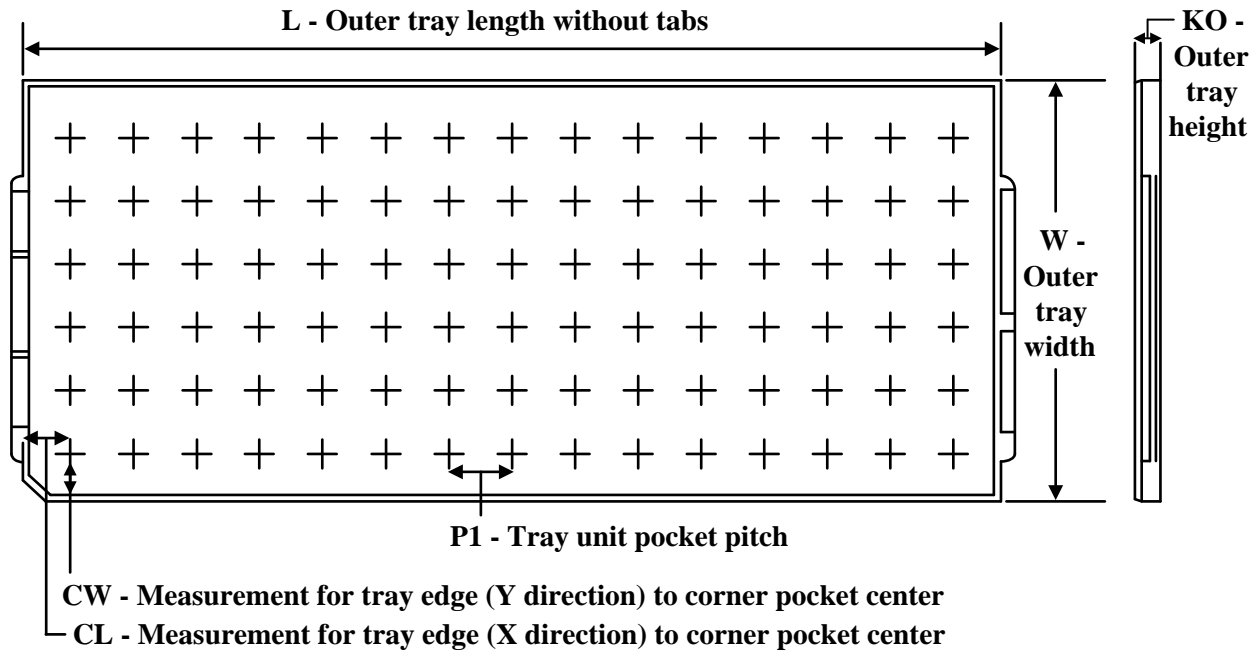
Device	Package Type	Package Drawing	Pins	SPQ	Reel Diameter (mm)	Reel Width W1 (mm)	A0 (mm)	B0 (mm)	K0 (mm)	P1 (mm)	W (mm)	Pin1 Quadrant
MSP430FW423IPMR	LQFP	PM	64	1000	330.0	24.4	13.0	13.0	2.1	16.0	24.0	Q2
MSP430FW425IPMR	LQFP	PM	64	1000	330.0	24.4	13.0	13.0	2.1	16.0	24.0	Q2
MSP430FW427IPMR	LQFP	PM	64	1000	330.0	24.4	13.0	13.0	2.1	16.0	24.0	Q2
MSP430FW428IPMR	LQFP	PM	64	1000	330.0	24.4	13.0	13.0	2.1	16.0	24.0	Q2
MSP430FW429IPMR	LQFP	PM	64	1000	330.0	24.4	13.0	13.0	2.1	16.0	24.0	Q2

## TAPE AND REEL BOX DIMENSIONS



\*All dimensions are nominal

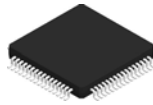
Device	Package Type	Package Drawing	Pins	SPQ	Length (mm)	Width (mm)	Height (mm)
MSP430FW423IPMR	LQFP	PM	64	1000	336.6	336.6	41.3
MSP430FW425IPMR	LQFP	PM	64	1000	336.6	336.6	41.3
MSP430FW427IPMR	LQFP	PM	64	1000	336.6	336.6	41.3
MSP430FW428IPMR	LQFP	PM	64	1000	336.6	336.6	41.3
MSP430FW429IPMR	LQFP	PM	64	1000	336.6	336.6	41.3

**TRAY**

Chamfer on Tray corner indicates Pin 1 orientation of packed units.

\*All dimensions are nominal

Device	Package Name	Package Type	Pins	SPQ	Unit array matrix	Max temperature (°C)	L (mm)	W (mm)	K0 (µm)	P1 (mm)	CL (mm)	CW (mm)
MSP430FW423IPM	PM	LQFP	64	160	8 x 20	150	315	135.9	7620	15.2	13.1	13
MSP430FW423IPM	PM	LQFP	64	160	8 X 20	150	315	135.9	7620	15.2	13.1	13
MSP430FW423IPM.B	PM	LQFP	64	160	8 x 20	150	315	135.9	7620	15.2	13.1	13
MSP430FW423IPM.B	PM	LQFP	64	160	8 X 20	150	315	135.9	7620	15.2	13.1	13
MSP430FW425IPM	PM	LQFP	64	160	8 X 20	150	315	135.9	7620	15.2	13.1	13
MSP430FW425IPM	PM	LQFP	64	160	8 x 20	150	315	135.9	7620	15.2	13.1	13
MSP430FW425IPM.B	PM	LQFP	64	160	8 x 20	150	315	135.9	7620	15.2	13.1	13
MSP430FW425IPM.B	PM	LQFP	64	160	8 X 20	150	315	135.9	7620	15.2	13.1	13
MSP430FW427IPM	PM	LQFP	64	160	8 x 20	150	315	135.9	7620	15.2	13.1	13
MSP430FW427IPM	PM	LQFP	64	160	8 X 20	150	315	135.9	7620	15.2	13.1	13
MSP430FW427IPM.B	PM	LQFP	64	160	8 x 20	150	315	135.9	7620	15.2	13.1	13
MSP430FW427IPM.B	PM	LQFP	64	160	8 X 20	150	315	135.9	7620	15.2	13.1	13
MSP430FW429IPM	PM	LQFP	64	160	8 X 20	150	315	135.9	7620	15.2	13.1	13
MSP430FW429IPM.B	PM	LQFP	64	160	8 X 20	150	315	135.9	7620	15.2	13.1	13

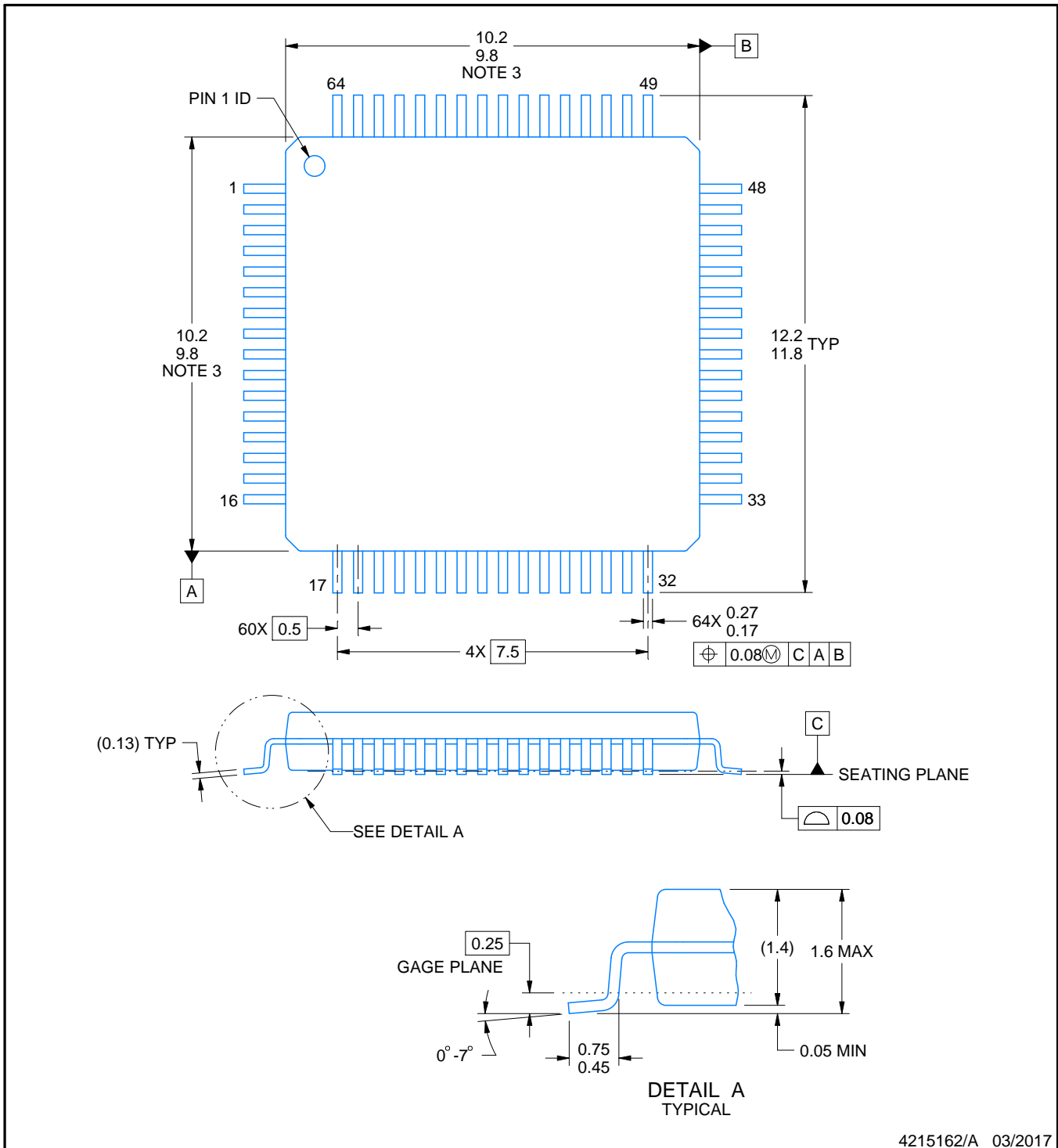


# PACKAGE OUTLINE

## PM0064A

### LQFP - 1.6 mm max height

PLASTIC QUAD FLATPACK



#### NOTES:

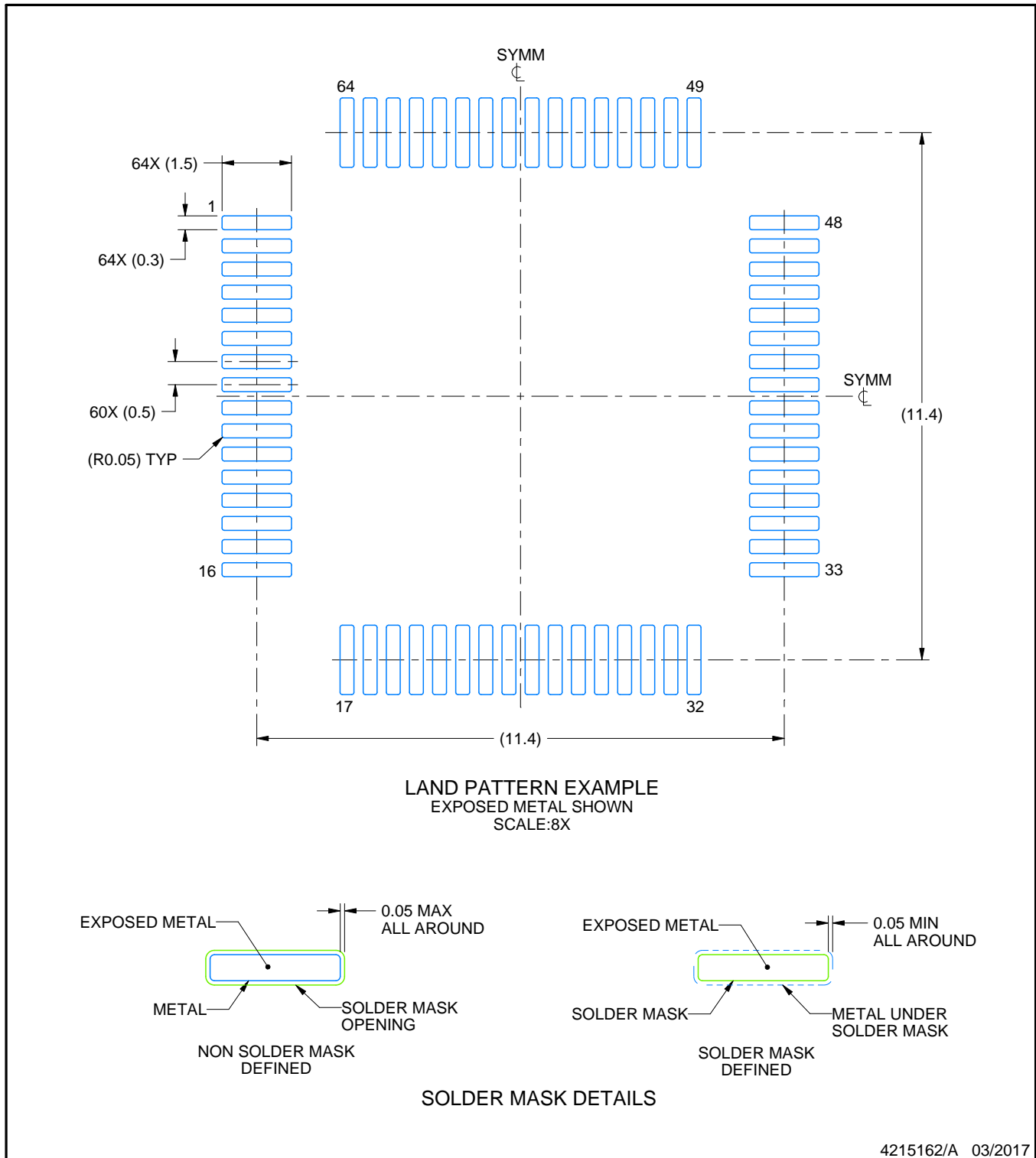
1. All linear dimensions are in millimeters. Any dimensions in parenthesis are for reference only. Dimensioning and tolerancing per ASME Y14.5M.
2. This drawing is subject to change without notice.
3. This dimension does not include mold flash, protrusions, or gate burrs. Mold flash, protrusions, or gate burrs shall not exceed 0.15 mm per side.
4. Reference JEDEC registration MS-026.

## EXAMPLE BOARD LAYOUT

PM0064A

LQFP - 1.6 mm max height

PLASTIC QUAD FLATPACK

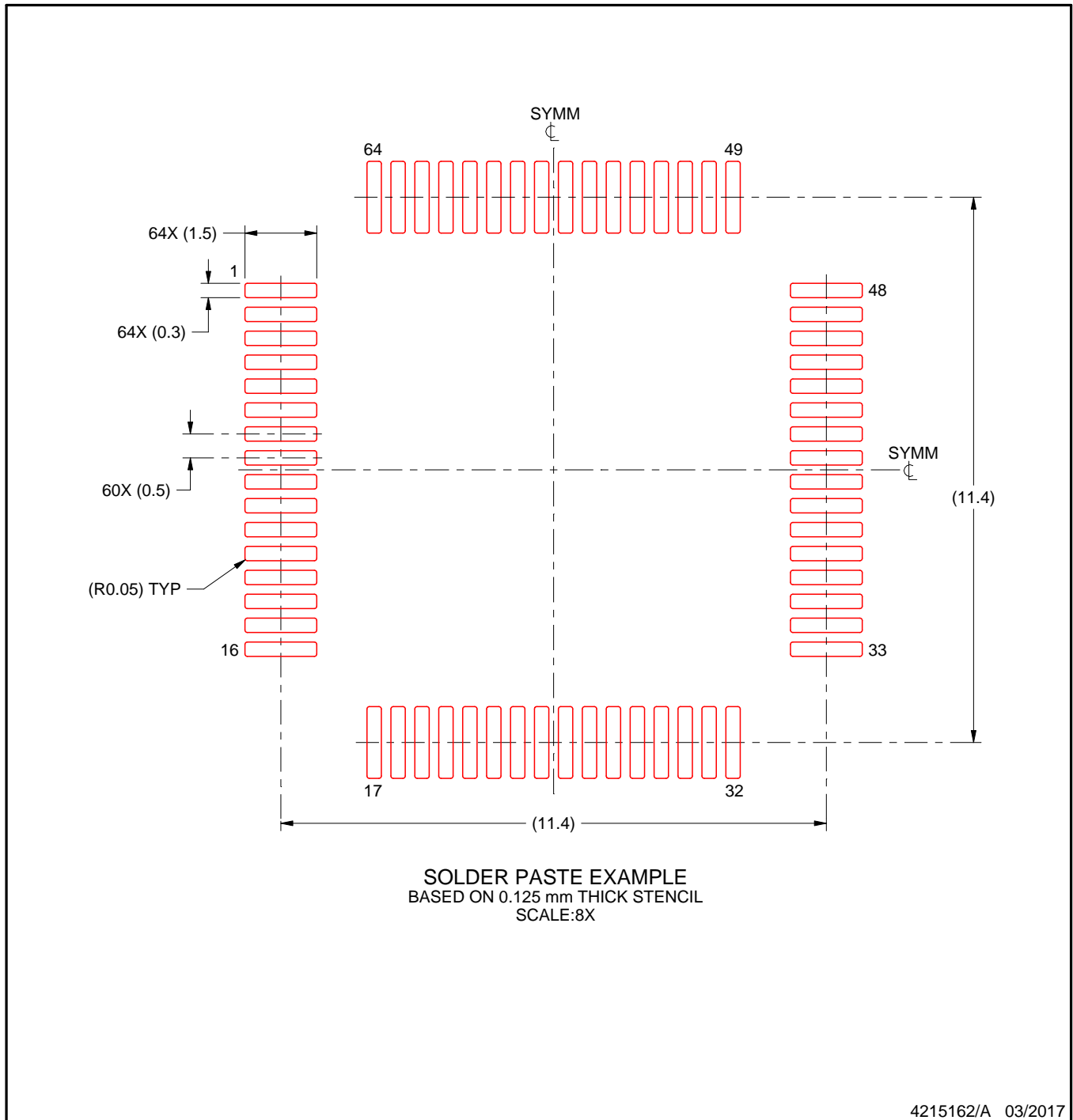


NOTES: (continued)

5. Publication IPC-7351 may have alternate designs.
6. Solder mask tolerances between and around signal pads can vary based on board fabrication site.
7. For more information, see Texas Instruments literature number SLMA004 ([www.ti.com/lit/slma004](http://www.ti.com/lit/slma004)).

**EXAMPLE STENCIL DESIGN****PM0064A****LQFP - 1.6 mm max height**

PLASTIC QUAD FLATPACK



NOTES: (continued)

8. Laser cutting apertures with trapezoidal walls and rounded corners may offer better paste release. IPC-7525 may have alternate design recommendations.
9. Board assembly site may have different recommendations for stencil design.

## IMPORTANT NOTICE AND DISCLAIMER

TI PROVIDES TECHNICAL AND RELIABILITY DATA (INCLUDING DATASHEETS), DESIGN RESOURCES (INCLUDING REFERENCE DESIGNS), APPLICATION OR OTHER DESIGN ADVICE, WEB TOOLS, SAFETY INFORMATION, AND OTHER RESOURCES "AS IS" AND WITH ALL FAULTS, AND DISCLAIMS ALL WARRANTIES, EXPRESS AND IMPLIED, INCLUDING WITHOUT LIMITATION ANY IMPLIED WARRANTIES OF MERCHANTABILITY, FITNESS FOR A PARTICULAR PURPOSE OR NON-INFRINGEMENT OF THIRD PARTY INTELLECTUAL PROPERTY RIGHTS.

These resources are intended for skilled developers designing with TI products. You are solely responsible for (1) selecting the appropriate TI products for your application, (2) designing, validating and testing your application, and (3) ensuring your application meets applicable standards, and any other safety, security, regulatory or other requirements.

These resources are subject to change without notice. TI grants you permission to use these resources only for development of an application that uses the TI products described in the resource. Other reproduction and display of these resources is prohibited. No license is granted to any other TI intellectual property right or to any third party intellectual property right. TI disclaims responsibility for, and you fully indemnify TI and its representatives against any claims, damages, costs, losses, and liabilities arising out of your use of these resources.

TI's products are provided subject to [TI's Terms of Sale](#), [TI's General Quality Guidelines](#), or other applicable terms available either on [ti.com](http://ti.com) or provided in conjunction with such TI products. TI's provision of these resources does not expand or otherwise alter TI's applicable warranties or warranty disclaimers for TI products. Unless TI explicitly designates a product as custom or customer-specified, TI products are standard, catalog, general purpose devices.

TI objects to and rejects any additional or different terms you may propose.

Copyright © 2025, Texas Instruments Incorporated

Last updated 10/2025

## OUR CERTIFICATE

DiGi provide top-quality products and perfect service for customer worldwide through standardization, technological innovation and continuous improvement. DiGi through third-party certification, we stricly control the quality of products and services. Welcome your RFQ to

Email: [Info@DiGi-Electronics.com](mailto:Info@DiGi-Electronics.com)



Tel: +00 852-30501935

RFQ Email: [Info@DiGi-Electronics.com](mailto:Info@DiGi-Electronics.com)

DiGi is a global authorized distributor of electronic components.