

# TIBPAL16L8-20MFKB Datasheet



DiGi Electronics Part Number	TIBPAL16L8-20MFKB-DG
Manufacturer	<a href="#">Texas Instruments</a>
Manufacturer Product Number	TIBPAL16L8-20MFKB
Description	HIGH-PERFORMANCE IMPACT PAL CIRC
Detailed Description	IMPACT-X™ PAL® Programmable Logic Device (PLD ) IC 8 Macrocells 20-LCCC (8.89x8.89)

<https://www.DiGi-Electronics.com>

This model TIBPAL16L8-20MFKB is available at DiGi Electronics.

DiGi Electronics offers a global database of semiconductor and electronic component datasheets.

We welcome your inquiries regarding pricing, lead time, or other product-related questions.

 [Request a Quote](#)

 [Datasheet Search](#)



Tel: +00 852-30501935

RFQ Email: [Info@DiGi-Electronics.com](mailto:Info@DiGi-Electronics.com)

DiGi is a global authorized distributor of electronic components.

## Purchase and inquiry

Manufacturer Product Number:

TIBPAL16L8-20MFKB

Series:

IMPACT-X™ PAL®

Programmable Type:

PAL

Voltage - Input:

4.5V ~ 5.5V

Mounting Type:

Surface Mount

Supplier Device Package:

20-LCCC (8.89x8.89)

Manufacturer:

Texas Instruments

Product Status:

Active

Number of Macrocells:

8

Speed:

20 ns

Package / Case:

20-CLCC

## Environmental & Export classification

RoHS Status:

ROHS3 Compliant

Moisture Sensitivity Level (MSL):

Not Applicable

TIBPAL 16L8-15C, TIBPAL 16R4-15C, TIBPAL 16R6-15C, TIBPAL 16R8-15C  
 TIBPAL 16L8-20M, TIBPAL 16R4-20M, TIBPAL 16R6-20M, TIBPAL 16R8-20M  
 HIGH-PERFORMANCE **IMPACT™** PAL® CIRCUITS

SRPS019A – FEBRUARY 1984 – REVISED APRIL 2000

- **High-Performance Operation:**  
**Propagation Delay**  
 C Suffix . . . 15 ns Max  
 M Suffix . . . 20 ns Max
- **Functionally Equivalent, but Faster Than**  
 PAL16L8A, PAL16R4A, PAL16R6A, and  
 PAL16R8A
- **Power-Up Clear on Registered Devices (All**  
**Register Outputs Are Set High, but Voltage**  
**Levels at the Output Pins Go Low)**
- **Package Options Include Both Plastic and**  
**Ceramic Chip Carriers in Addition to**  
**Plastic and Ceramic DIPs**
- **Dependable Texas Instruments Quality and**  
**Reliability**

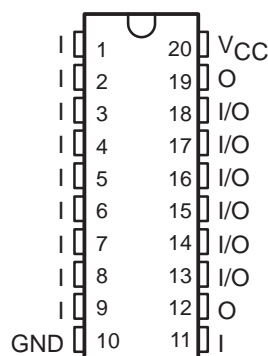
DEVICE	I INPUTS	3-STATE O OUTPUTS	REGISTERED Q OUTPUTS	I/O PORTS
PAL16L8	10	2	0	6
PAL16R4	8	0	4 (3-state buffers)	4
PAL16R6	8	0	6 (3-state buffers)	2
PAL16R8	8	0	8 (3-state buffers)	0

**description**

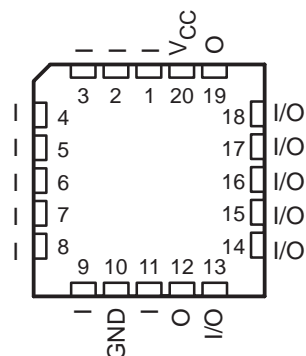
These programmable array logic devices feature high speed and functional equivalency when compared with currently available devices. These IMPACT™ circuits combine the latest Advanced Low-Power Schottky technology with proven titanium-tungsten fuses to provide reliable, high-performance substitutes for conventional TTL logic. Their easy programmability allows for quick design of custom functions and typically results in a more compact circuit board. In addition, chip carriers are available for further reduction in board space.

The TIBPAL16' C series is characterized from 0°C to 75°C. The TIBPAL16' M series is characterized for operation over the full military temperature range of -55°C to 125°C.

TIBPAL16L8'  
 C SUFFIX . . . J OR N PACKAGE  
 M SUFFIX . . . J OR W PACKAGE  
 (TOP VIEW)



TIBPAL16L8'  
 C SUFFIX . . . FN PACKAGE  
 M SUFFIX . . . FK PACKAGE  
 (TOP VIEW)



Please be aware that an important notice concerning availability, standard warranty, and use in critical applications of Texas Instruments semiconductor products and disclaimers thereto appears at the end of this data sheet.

These devices are covered by U.S. Patent 4,410,987.  
 IMPACT is a trademark of Texas Instruments.  
 PAL is a registered trademark of Advanced Micro Devices Inc.

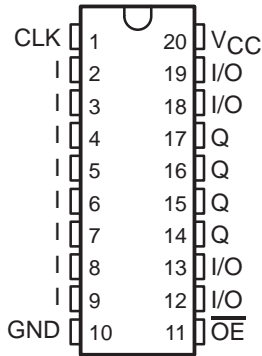
PRODUCTION DATA information is current as of publication date. Products conform to specifications per the terms of Texas Instruments standard warranty. Production processing does not necessarily include testing of all parameters.



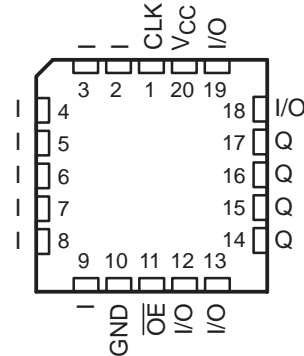
TIBPAL 16R4-15C, TIBPAL 16R6-15C, TIBPAL 16R8-15C  
 TIBPAL 16R4-20M, TIBPAL 16R6-20M, TIBPAL 16R8-20M  
 HIGH-PERFORMANCE *IMPACT*™ PAL® CIRCUITS

SRPS019A – FEBRUARY 1984 – REVISED APRIL 2000

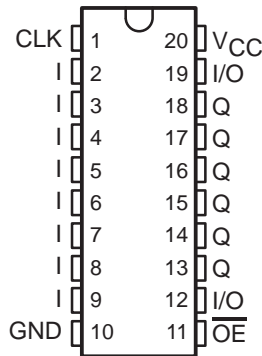
**TIBPAL16R4'**  
 C SUFFIX ... J OR N PACKAGE  
 M SUFFIX ... J OR W PACKAGE  
 (TOP VIEW)



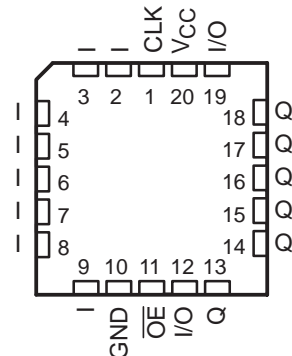
**TIBPAL16R4'**  
 C SUFFIX ... FN PACKAGE  
 M SUFFIX ... FK PACKAGE  
 (TOP VIEW)



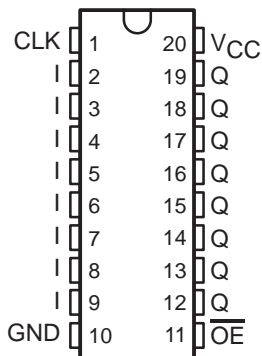
**TIBPAL16R6'**  
 C SUFFIX ... J OR N PACKAGE  
 M SUFFIX ... J OR W PACKAGE  
 (TOP VIEW)



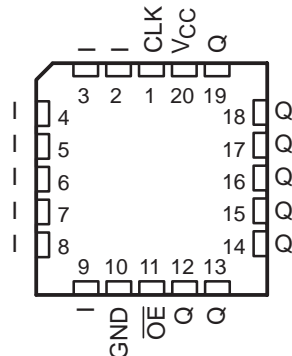
**TIBPAL16R6'**  
 C SUFFIX ... FN PACKAGE  
 M SUFFIX ... FK PACKAGE  
 (TOP VIEW)



**TIBPAL16R8'**  
 C SUFFIX ... J OR N PACKAGE  
 M SUFFIX ... J OR W PACKAGE  
 (TOP VIEW)

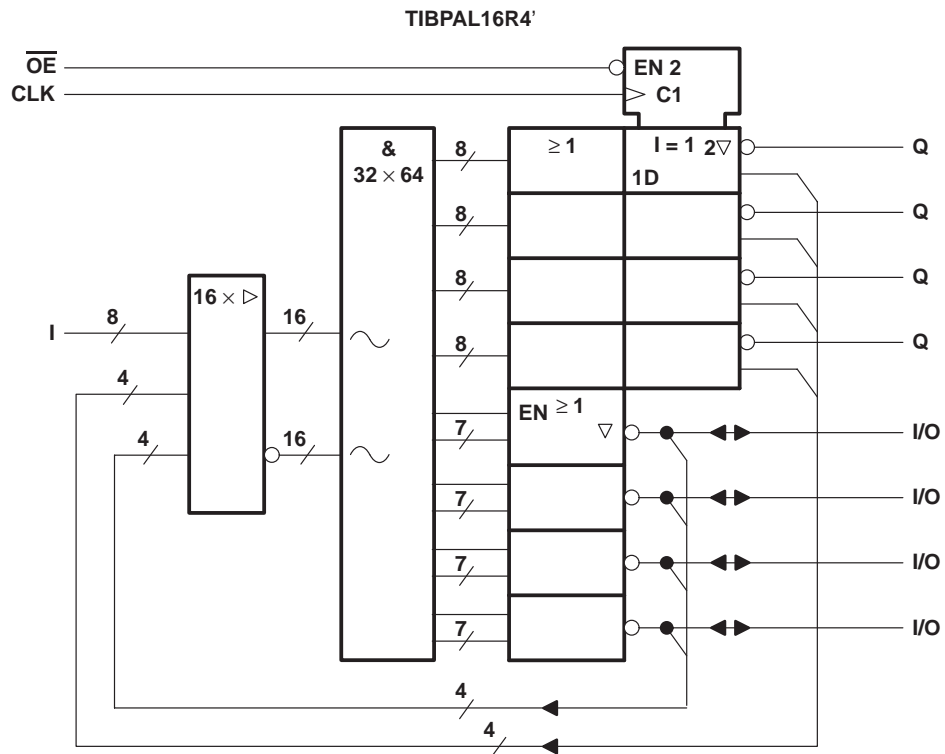
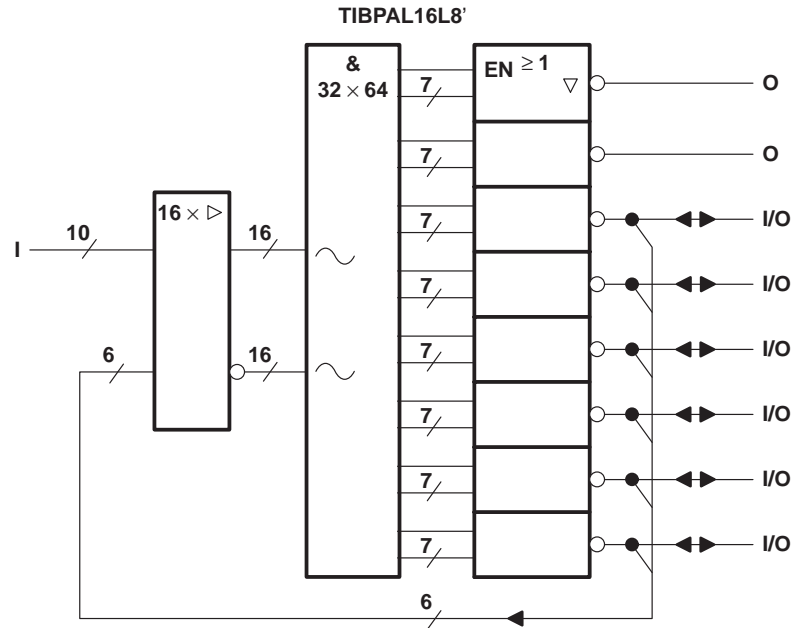


**TIBPAL16R8'**  
 C SUFFIX ... FN PACKAGE  
 M SUFFIX ... FK PACKAGE  
 (TOP VIEW)



TIBPAL 16L8-15C, TIBPAL 16R4-15C  
 TIBPAL 16L8-20M, TIBPAL 16R4-20M  
**HIGH-PERFORMANCE IMPACT™ PAL® CIRCUITS**  
 SRPS019A – FEBRUARY 1984 – REVISED APRIL 2000

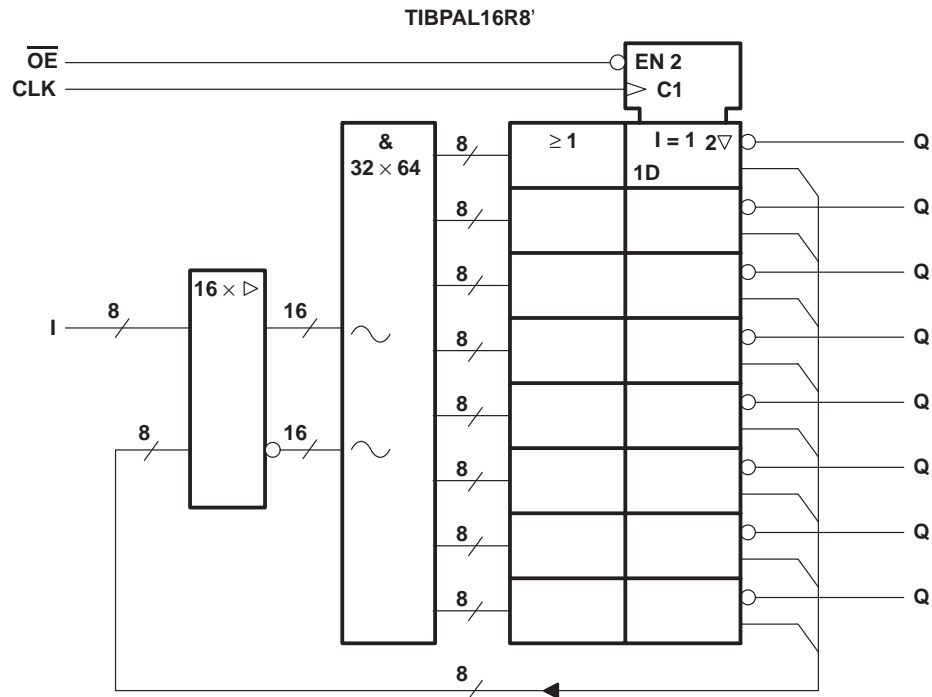
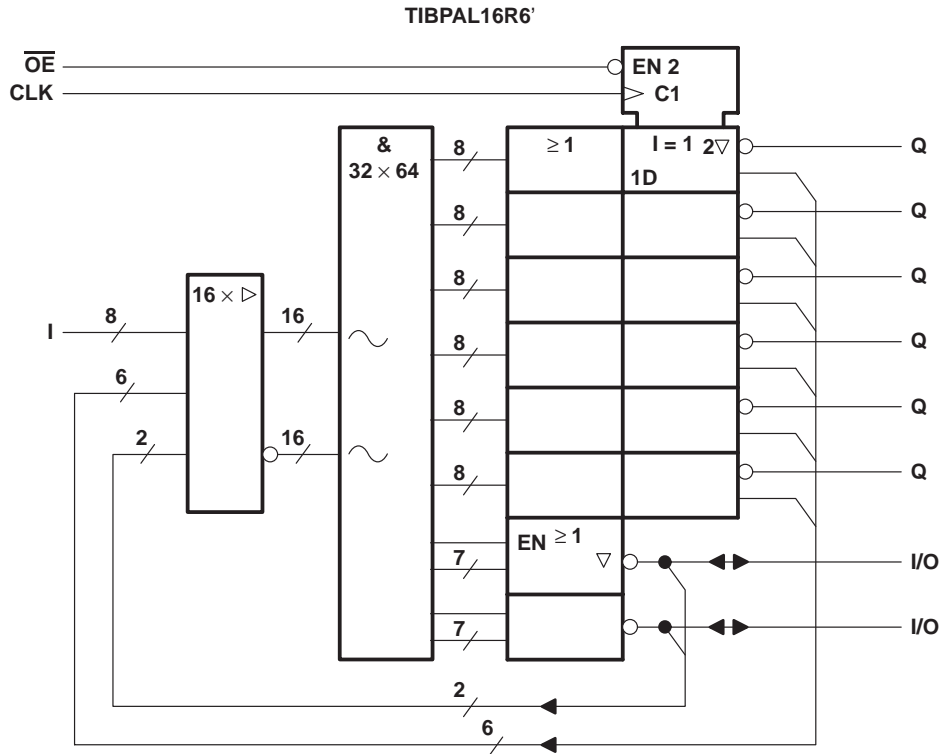
functional block diagrams (positive logic)



~ denotes fused inputs

TIBPAL 16R6-15C, TIBPAL 16R8-15C  
 TIBPAL 16R6-20M, TIBPAL 16R8-20M  
 HIGH-PERFORMANCE *IMPACT*™ *PAL*® CIRCUITS  
 SRPS019A – FEBRUARY 1984 – REVISED APRIL 2000

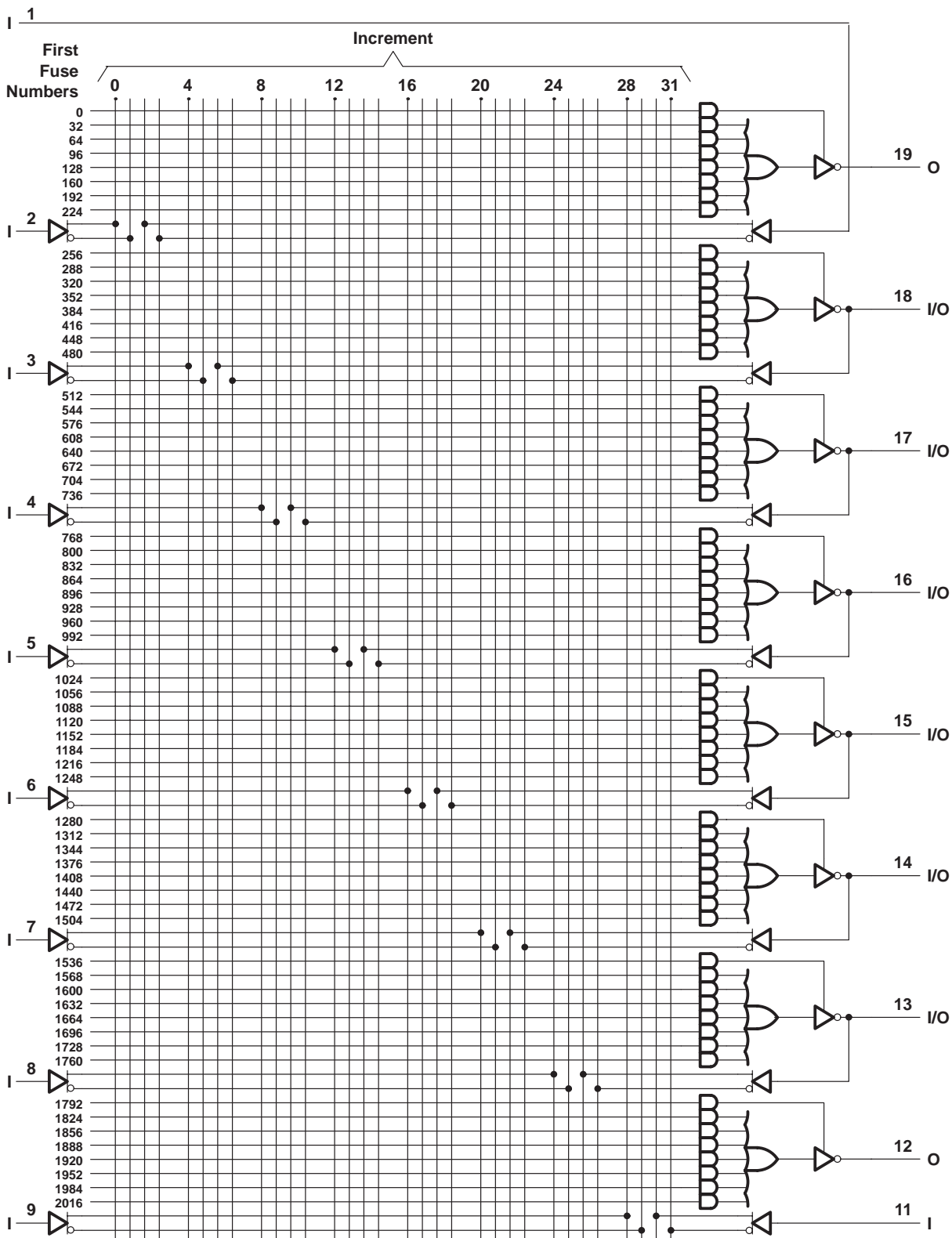
functional block diagrams (positive logic)



~ denotes fused inputs



logic diagram (positive logic)

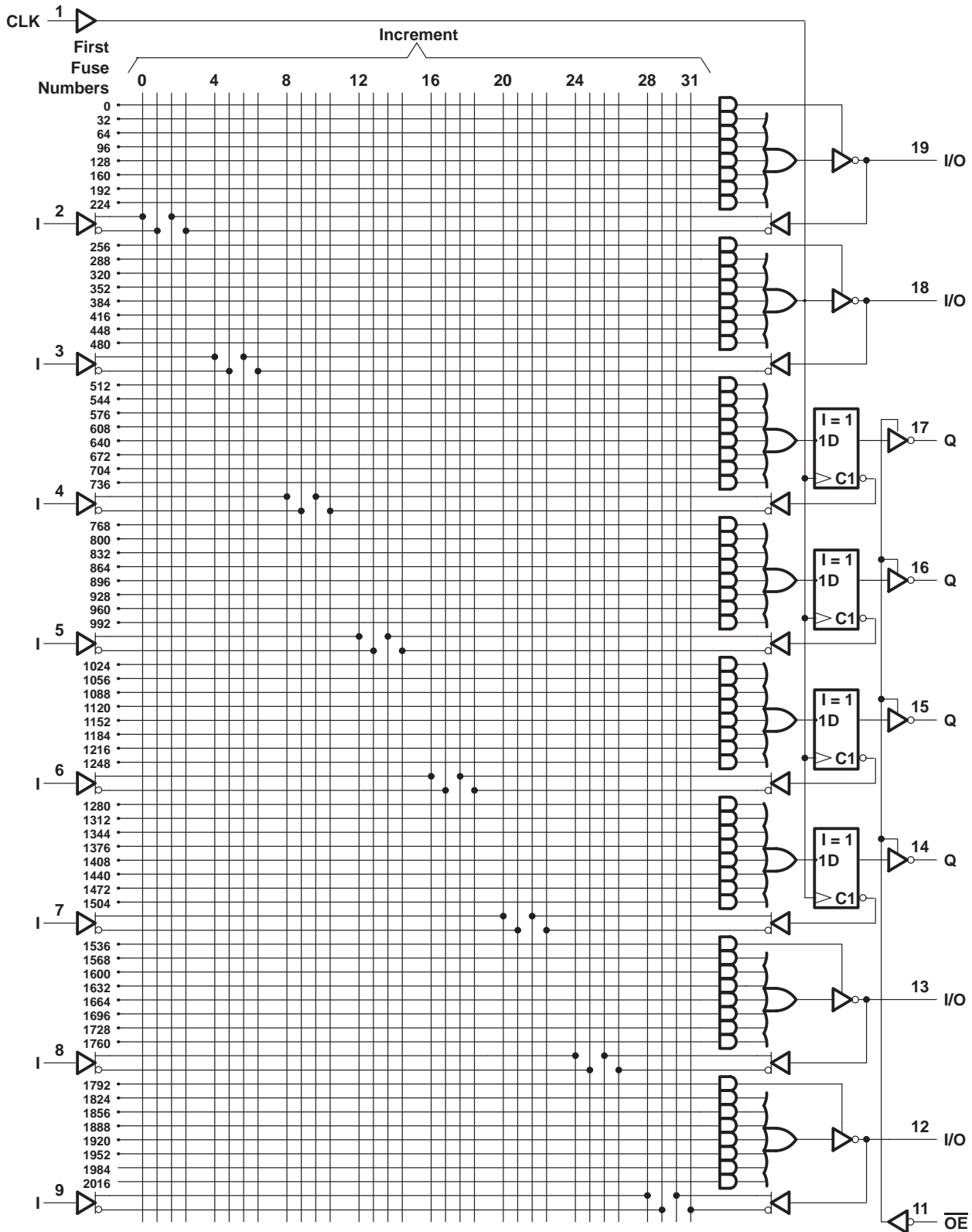


TIBPAL 16R4-15C  
TIBPAL 16R4-20M

HIGH-PERFORMANCE *IMPACT*™ PAL® CIRCUITS

SRPS019A – FEBRUARY 1984 – REVISED APRIL 2000

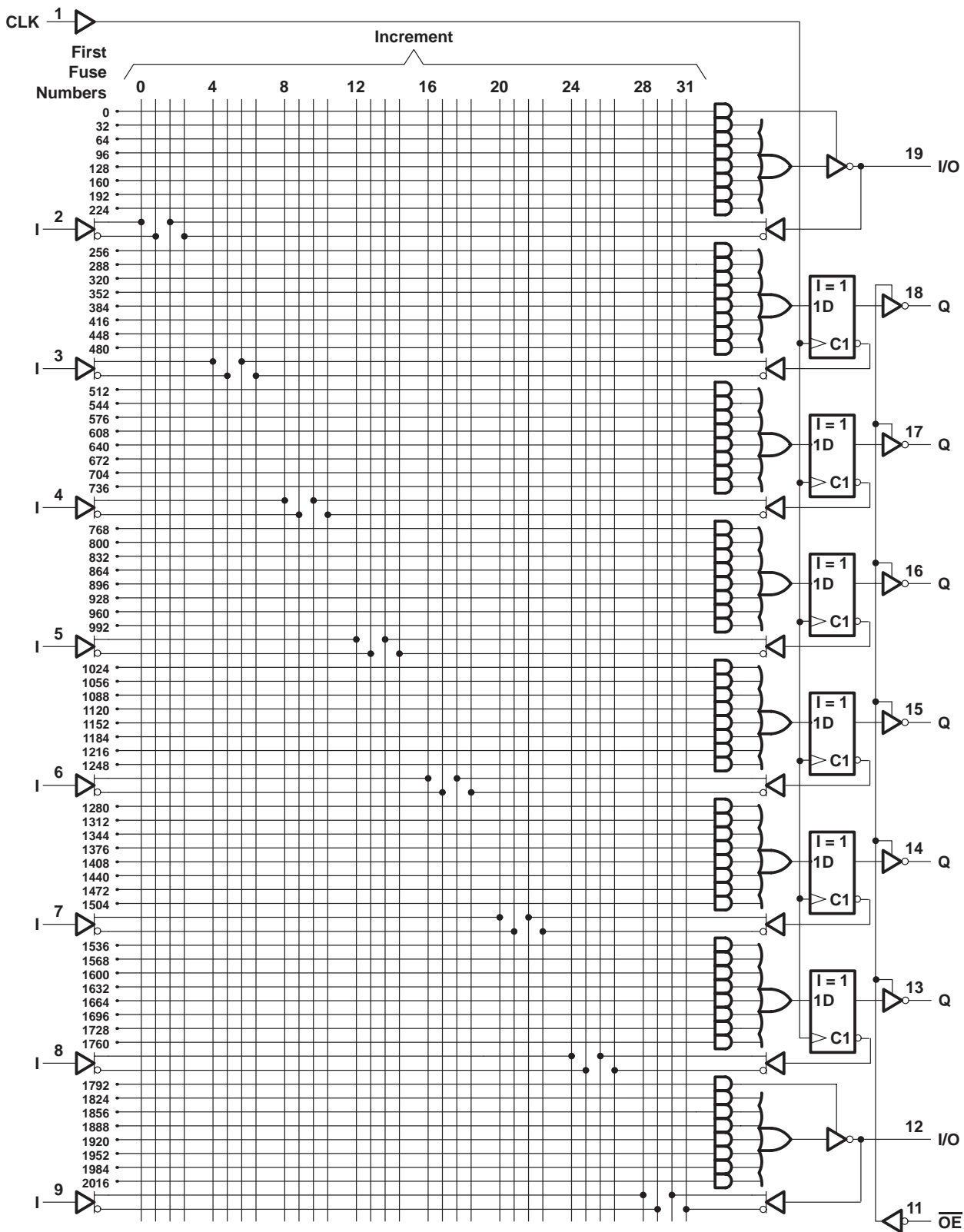
logic diagram (positive logic)



Fuse number = First fuse number + Increment



logic diagram (positive logic)



Fuse number = First fuse number + Increment

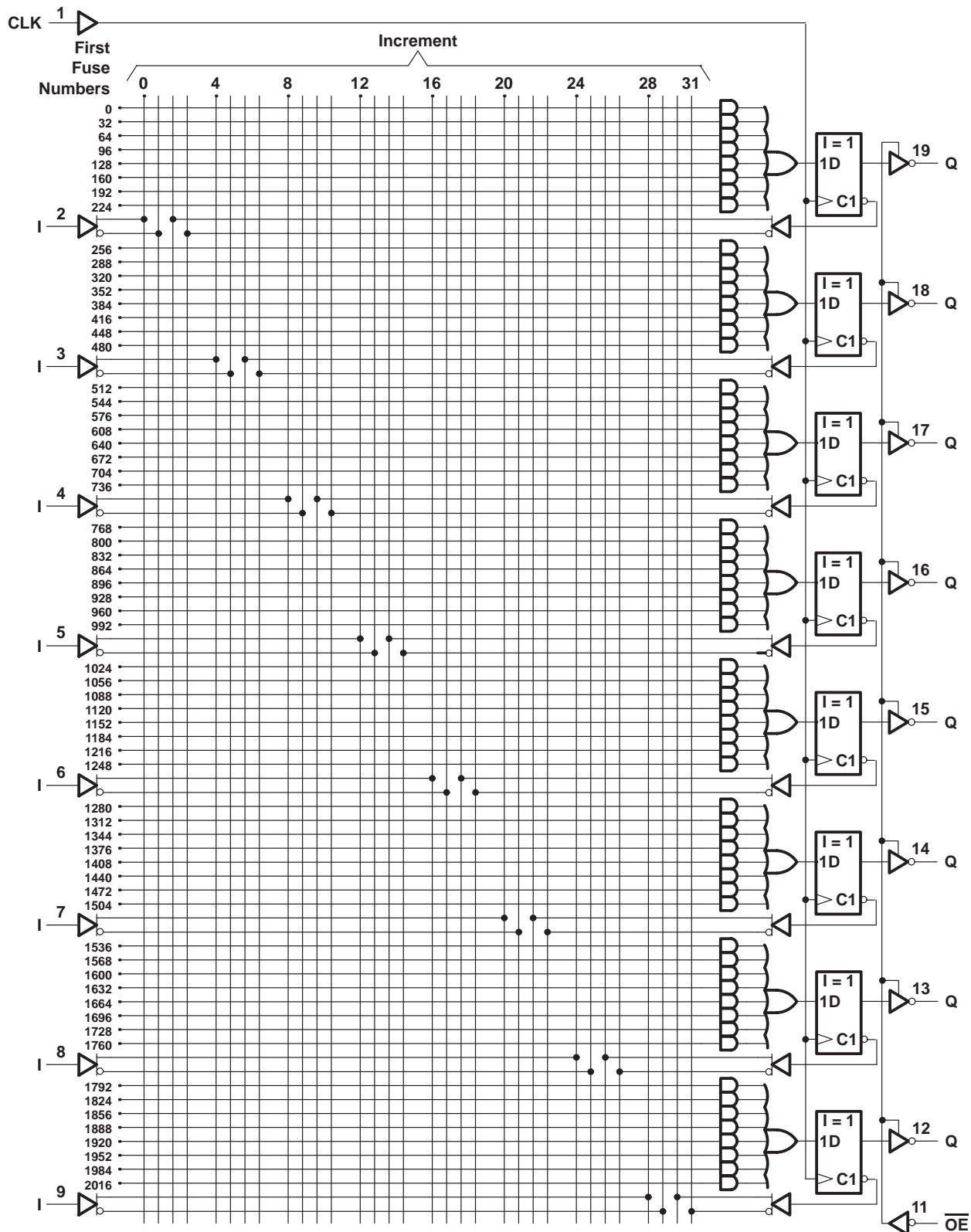


# TIBPAL 16R8-15C TIBPAL 16R8-20M

## HIGH-PERFORMANCE *IMPACT*™ PAL® CIRCUITS

SRPS019A – FEBRUARY 1984 – REVISED APRIL 2000

### logic diagram (positive logic)



Fuse number = First fuse number + Increment



**TIBPAL 16L8-15C, TIBPAL 16R4-15C, TIBPAL 16R6-15C, TIBPAL 16R8-15C**  
**HIGH-PERFORMANCE IMPACT™ PAL® CIRCUITS**

SRPS019A – FEBRUARY 1984 – REVISED APRIL 2000

**absolute maximum ratings over operating free-air temperature range (unless otherwise noted)**

Supply voltage, $V_{CC}$ (see Note 1)	7 V
Input voltage (see Note 1)	5.5 V
Voltage applied to disabled output (see Note 1)	5.5 V
Operating free-air temperature range	0°C to 75°C
Storage temperature range, $T_{stg}$	-65°C to 150°C

NOTE 1: These ratings apply, except for programming pins, during a programming cycle.

**recommended operating conditions**

		MIN	NOM	MAX	UNIT
$V_{CC}$	Supply voltage	4.75	5	5.25	V
$V_{IH}$	High-level input voltage	2		5.5	V
$V_{IL}$	Low-level input voltage			0.8	V
$I_{OH}$	High-level output current			-3.2	mA
$I_{OL}$	Low-level output current			24	mA
$f_{clock}$	Clock frequency	0		50	MHz
$t_w$	Pulse duration, clock (see Note 2)	High	8		ns
		Low	9		
$t_{su}$	Setup time, input or feedback before clock $\uparrow$	15			ns
$t_h$	Hold time, input or feedback after clock $\uparrow$	0			ns
$T_A$	Operating free-air temperature	0	25	75	°C

NOTE 2: The total clock period of clock high and clock low must not exceed clock frequency,  $f_{clock}$ . The minimum pulse durations specified are for clock high or low only, but not for both simultaneously.

TIBPAL 16L8-15C, TIBPAL 16R4-15C, TIBPAL 16R6-15C, TIBPAL 16R8-15C  
HIGH-PERFORMANCE **IMPACT**™ **PAL**® CIRCUITS

SRPS019A – FEBRUARY 1984 – REVISED APRIL 2000

**electrical characteristics over recommended operating free-air temperature range**

PARAMETER		TEST CONDITIONS		MIN	TYP†	MAX	UNIT	
V <sub>IK</sub>		V <sub>CC</sub> = 4.75 V,	I <sub>I</sub> = -18 mA			-1.5	V	
V <sub>OH</sub>		V <sub>CC</sub> = 4.75 V,	I <sub>OH</sub> = -3.2 mA	2.4	3.3		V	
V <sub>OL</sub>		V <sub>CC</sub> = 4.75 V,	I <sub>OL</sub> = 24 mA		0.35	0.5	V	
I <sub>OZH</sub>	Outputs	V <sub>CC</sub> = 5.25 V,	V <sub>O</sub> = 2.7 V			20	μA	
	I/O ports					100		
I <sub>OZL</sub>	Outputs	V <sub>CC</sub> = 5.25 V,	V <sub>O</sub> = 0.4 V			-20	μA	
	I/O ports					-250		
I <sub>I</sub>		V <sub>CC</sub> = 5.25 V,	V <sub>I</sub> = 5.5 V			0.1	mA	
I <sub>IH</sub>		V <sub>CC</sub> = 5.25 V,	V <sub>I</sub> = 2.7 V			20	μA	
I <sub>IL</sub>		V <sub>CC</sub> = 5.25 V,	V <sub>I</sub> = 0.4 V			-0.2	mA	
I <sub>O‡</sub>		V <sub>CC</sub> = 5.25 V,	V <sub>O</sub> = 2.25 V	-30		-125	mA	
I <sub>CC</sub>		V <sub>CC</sub> = 5.25 V,	V <sub>I</sub> = 0,			140	180	mA
							Outputs open	

† All typical values are at V<sub>CC</sub> = 5 V, T<sub>A</sub> = 25°C.

‡ The output conditions have been chosen to produce a current that closely approximates one-half of the short-circuit output current, I<sub>OS</sub>.

**switching characteristics over recommended ranges of supply voltage and operating free-air temperature (unless otherwise noted)**

PARAMETER	FROM (INPUT)	TO (OUTPUT)	TEST CONDITIONS	MIN	TYP†	MAX	UNIT
f <sub>max</sub>			R1 = 500 Ω, R2 = 500 Ω, See Figure 3	50			MHz
t <sub>pd</sub>	I, I/O	O, I/O		10	15		ns
t <sub>pd</sub>	CLK↑	Q		8	12		ns
t <sub>en</sub>	OE↓	Q		8	12		ns
t <sub>dis</sub>	OE↑	Q		7	10		ns
t <sub>en</sub>	I, I/O	O, I/O		10	15		ns
t <sub>dis</sub>	I, I/O	O, I/O		10	15		ns

† All typical values are at V<sub>CC</sub> = 5 V, T<sub>A</sub> = 25°C.



**TIBPAL 16L8-20M, TIBPAL 16R4-20M, TIBPAL 16R6-20M, TIBPAL 16R8-20M  
HIGH-PERFORMANCE IMPACT™ PAL® CIRCUITS**

SRPS019A – FEBRUARY 1984 – REVISED APRIL 2000

**absolute maximum ratings over operating free-air temperature range (unless otherwise noted)**

Supply voltage, $V_{CC}$ (see Note 1)	7 V
Input voltage (see Note 1)	5.5 V
Voltage applied to disabled output (see Note 1)	5.5 V
Operating free-air temperature range	–55°C to 125°C
Storage temperature range, $T_{stg}$	–65°C to 150°C

NOTE 1: These ratings apply, except for programming pins, during a programming cycle.

**recommended operating conditions**

		MIN	NOM	MAX	UNIT
$V_{CC}$	Supply voltage	4.5	5	5.5	V
$V_{IH}$	High-level input voltage	2		5.5	V
$V_{IL}$	Low-level input voltage			0.8	V
$I_{OH}$	High-level output current			–2	mA
$I_{OL}$	Low-level output current			12	mA
$f_{clock}$	Clock frequency	0		41.6	MHz
$t_w$	Pulse duration, clock (see Note 2)	High	10		ns
		Low	11		
$t_{su}$	Setup time, input or feedback before clock↑	20			ns
$t_h$	Hold time, input or feedback after clock↑	0			ns
$T_A$	Operating free-air temperature	–55	25	125	°C

NOTE 2: The total clock period of clock high and clock low must not exceed clock frequency,  $f_{clock}$ . The minimum pulse durations specified are for clock high or low only, but not for both simultaneously.

TIBPAL 16L8-20M, TIBPAL 16R4-20M, TIBPAL 16R6-20M, TIBPAL 16R8-20M  
HIGH-PERFORMANCE *IMPACT*™ *PAL*® CIRCUITS

SRPS019A – FEBRUARY 1984 – REVISED APRIL 2000

**electrical characteristics over recommended operating free-air temperature range**

PARAMETER		TEST CONDITIONS		MIN	TYP†	MAX	UNIT
V <sub>IK</sub>		V <sub>CC</sub> = 4.5 V,	I <sub>I</sub> = -18 mA			-1.5	V
V <sub>OH</sub>		V <sub>CC</sub> = 4.5 V,	I <sub>OH</sub> = -2 mA	2.4	3.2		V
V <sub>OL</sub>		V <sub>CC</sub> = 4.5 V,	I <sub>OL</sub> = 12 mA		0.25	0.4	V
I <sub>OZH</sub>	Outputs	V <sub>CC</sub> = 5.5 V,	V <sub>O</sub> = 2.7 V			20	μA
	I/O ports					100	
I <sub>OZL</sub>	Outputs	V <sub>CC</sub> = 5.5 V,	V <sub>O</sub> = 0.4 V			-20	μA
	I/O ports					-250	
I <sub>I</sub>	Pin 1, 11	V <sub>CC</sub> = 5.5 V,	V <sub>I</sub> = 5.5 V			0.2	mA
	All others					0.1	
I <sub>IH</sub>	Pin 1, 11	V <sub>CC</sub> = 5.5 V,	V <sub>I</sub> = 2.7 V			50	μA
	I/O ports					100	
	All others					20	
I <sub>IL</sub>	I/O ports	V <sub>CC</sub> = 5.5 V,	V <sub>I</sub> = 0.4 V			-0.25	mA
	All others					-0.2	
I <sub>OS‡</sub>		V <sub>CC</sub> = 5.5 V,	V <sub>O</sub> = 0.5 V	-30		-250	mA
I <sub>CC</sub>		V <sub>CC</sub> = 5.5 V,	V <sub>I</sub> = 0,                      Outputs open		140	190	mA

† All typical values are at V<sub>CC</sub> = 5 V, T<sub>A</sub> = 25°C.

‡ Not more than one output should be shorted at a time and the duration of the short circuit should not exceed one second. Set V<sub>O</sub> at 0.5 V to avoid test-equipment degradation.

**switching characteristics over recommended ranges of supply voltage and operating free-air temperature (unless otherwise noted)**

PARAMETER	FROM (INPUT)	TO (OUTPUT)	TEST CONDITIONS	MIN	TYP†	MAX	UNIT
f <sub>max</sub>			R1 = 390 Ω, R2 = 750 Ω, See Figure 4	41.6			MHz
t <sub>pd</sub>	I, I/O	O, I/O			10	20	ns
t <sub>pd</sub>	CLK↑	Q			8	15	ns
t <sub>en</sub>	OE↓	Q			8	15	ns
t <sub>dis</sub>	OE↑	Q			7	15	ns
t <sub>en</sub>	I, I/O	O, I/O			10	20	ns
t <sub>dis</sub>	I, I/O	O, I/O			10	20	ns

† All typical values are at V<sub>CC</sub> = 5 V, T<sub>A</sub> = 25°C.



## programming information

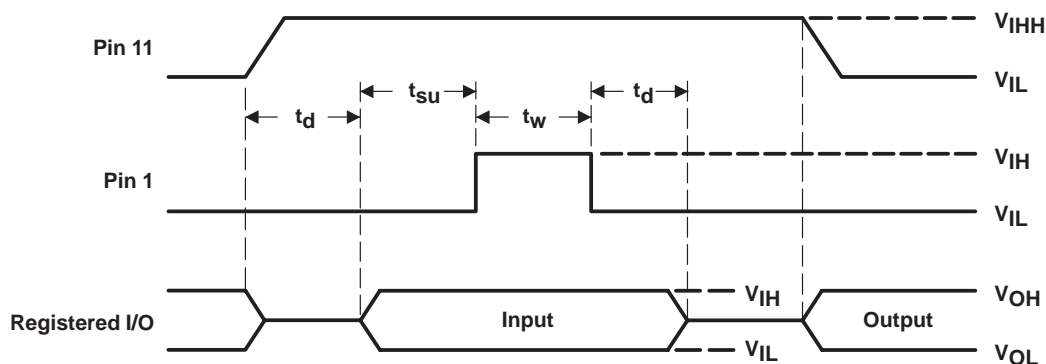
Texas Instruments programmable logic devices can be programmed using widely available software and inexpensive device programmers.

Complete programming specifications, algorithms, and the latest information on hardware, software, and firmware are available upon request. Information on programmers capable of programming Texas Instruments programmable logic also is available, upon request, from the nearest TI field sales office or local authorized TI distributor, by calling Texas Instruments at +1 (972) 644-5580, or by visiting the TI Semiconductor Home Page at [www.ti.com/sc](http://www.ti.com/sc).

## preload procedure for registered outputs (see Figure 1 and Note 3)

The output registers can be preloaded to any desired state during device testing. This permits any state to be tested without having to step through the entire state-machine sequence. Each register is preloaded individually by following the steps given below.

- Step 1. With  $V_{CC}$  at 5 V and Pin 1 at  $V_{IL}$ , raise Pin 11 to  $V_{IHH}$ .
- Step 2. Apply either  $V_{IL}$  or  $V_{IH}$  to the output corresponding to the register to be preloaded.
- Step 3. Pulse Pin 1, clocking in preload data.
- Step 4. Remove output voltage, then lower Pin 11 to  $V_{IL}$ . Preload can be verified by observing the voltage level at the output pin.



NOTE 3:  $t_d = t_{su} = t_h = 100$  ns to 1000 ns  $V_{IHH} = 10.25$  V to 10.75 V

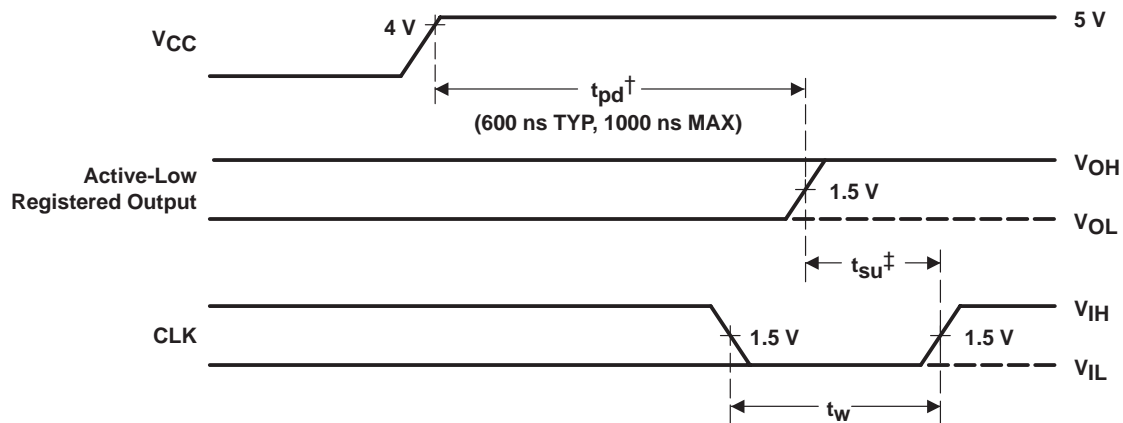
Figure 1. Preload Waveforms

TIBPAL 16L8-15C, TIBPAL 16R4-15C, TIBPAL 16R6-15C, TIBPAL 16R8-15C  
 TIBPAL 16L8-20M, TIBPAL 16R4-20M, TIBPAL 16R6-20M, TIBPAL 16R8-20M  
 HIGH-PERFORMANCE *IMPACT*™ *PAL*® CIRCUITS

SRPS019A – FEBRUARY 1984 – REVISED APRIL 2000

**power-up reset (see Figure 2)**

Following power up, all registers are set high. This feature provides extra flexibility to the system designer and is especially valuable in simplifying state-machine initialization. To ensure a valid power-up reset, it is important that the rise of  $V_{CC}$  be monotonic. Following power-up reset, a low-to-high clock transition must not occur until all applicable input and feedback setup times are met.

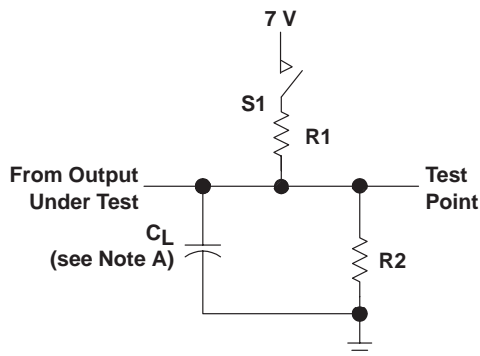


† This is the power-up reset time and applies to registered outputs only. The values shown are from characterization data.

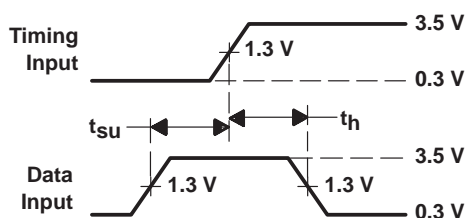
‡ This is the setup time for input or feedback.

**Figure 2. Power-Up Reset Waveforms**

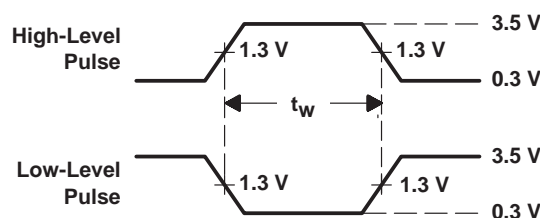
### PARAMETER MEASUREMENT INFORMATION



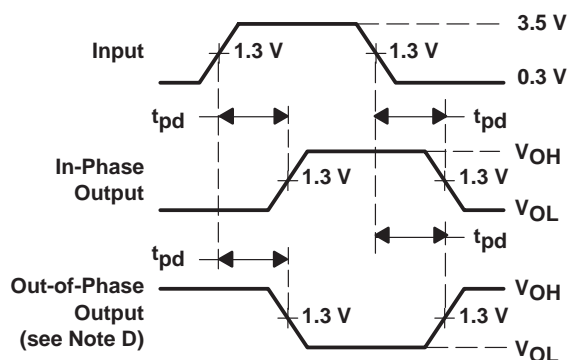
LOAD CIRCUIT FOR 3-STATE OUTPUTS



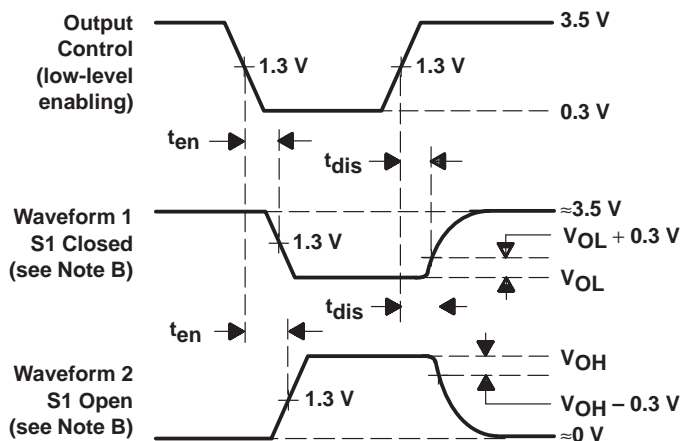
VOLTAGE WAVEFORMS  
SETUP AND HOLD TIMES



VOLTAGE WAVEFORMS  
PULSE DURATIONS



VOLTAGE WAVEFORMS  
PROPAGATION DELAY TIMES



VOLTAGE WAVEFORMS  
ENABLE AND DISABLE TIMES, 3-STATE OUTPUTS

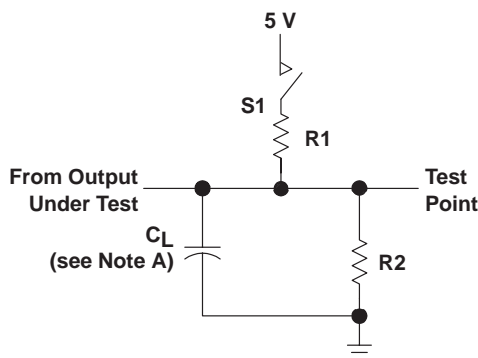
- NOTES: A.  $C_L$  includes probe and jig capacitance and is 50 pF for  $t_{pd}$  and  $t_{en}$ , 5 pF for  $t_{dis}$ .  
 B. Waveform 1 is for an output with internal conditions such that the output is low except when disabled by the output control. Waveform 2 is for an output with internal conditions such that the output is high except when disabled by the output control.  
 C. All input pulses have the following characteristics:  $PRR \leq 1$  MHz,  $t_r = t_f \leq 2$  ns, duty cycle = 50%.  
 D. When measuring propagation delay times of 3-state outputs from low to high, switch S1 is closed. When measuring propagation delay times of 3-state outputs from high to low, switch S1 is open.  
 E. Equivalent loads may be used for testing.

Figure 3. Load Circuit and Voltage Waveforms

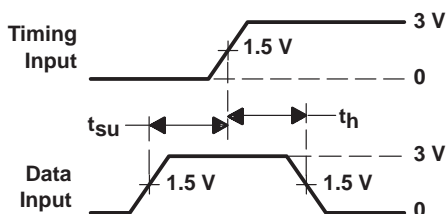
# TIBPAL 16L8-20M, TIBPAL 16R4-20M, TIBPAL 16R6-20M, TIBPAL 16R8-20M HIGH-PERFORMANCE *IMPACT*™ *PAL*® CIRCUITS

SRPS019A – FEBRUARY 1984 – REVISED APRIL 2000

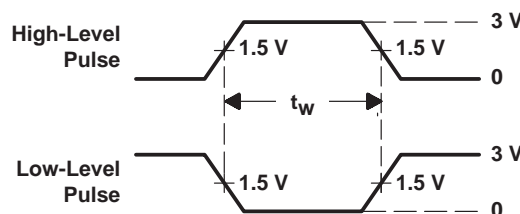
## PARAMETER MEASUREMENT INFORMATION



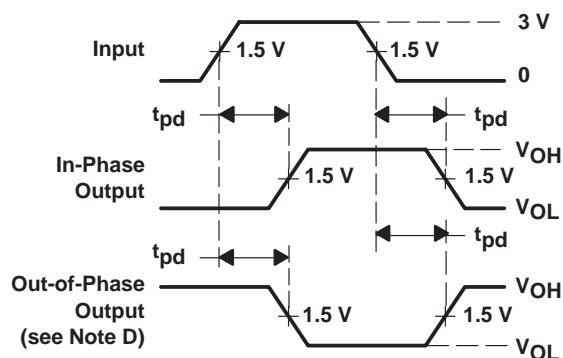
LOAD CIRCUIT FOR 3-STATE OUTPUTS



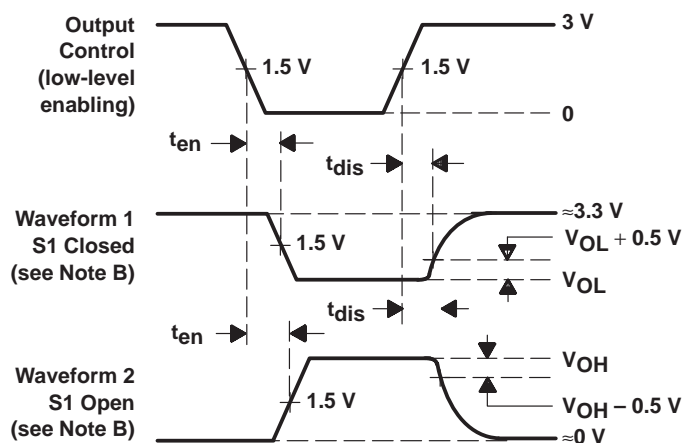
VOLTAGE WAVEFORMS  
SETUP AND HOLD TIMES



VOLTAGE WAVEFORMS  
PULSE DURATIONS



VOLTAGE WAVEFORMS  
PROPAGATION DELAY TIMES



VOLTAGE WAVEFORMS  
ENABLE AND DISABLE TIMES, 3-STATE OUTPUTS

- NOTES: A.  $C_L$  includes probe and jig capacitance and is 50 pF for  $t_{pd}$  and  $t_{en}$ , 5 pF for  $t_{dis}$ .  
 B. Waveform 1 is for an output with internal conditions such that the output is low except when disabled by the output control. Waveform 2 is for an output with internal conditions such that the output is high except when disabled by the output control.  
 C. All input pulses have the following characteristics:  $PRR \leq 10$  MHz,  $t_r = t_f \leq 2$  ns, duty cycle = 50%  
 D. When measuring propagation delay times of 3-state outputs, switch S1 is closed.  
 E. Equivalent loads may be used for testing.

Figure 4. Load Circuit and Voltage Waveforms

**PACKAGING INFORMATION**

Orderable Device	Status (1)	Package Type	Package Drawing	Pins	Package Qty	Eco Plan (2)	Lead finish/ Ball material (6)	MSL Peak Temp (3)	Op Temp (°C)	Device Marking (4/5)	Samples
5962-85155012A	ACTIVE	LCCC	FK	20	55	Non-RoHS & Green	SNPB	N / A for Pkg Type	-55 to 125	5962- 85155012A TIBPAL16 L8-20MFKB	<a href="#">Samples</a>
5962-8515501RA	ACTIVE	CDIP	J	20	20	Non-RoHS & Green	SNPB	N / A for Pkg Type	-55 to 125	5962-8515501RA TIBPAL16L8-20M JB	<a href="#">Samples</a>
5962-8515501SA	ACTIVE	CFP	W	20	25	Non-RoHS & Green	SNPB	N / A for Pkg Type	-55 to 125	5962-8515501SA TIBPAL16L8-20M WB	<a href="#">Samples</a>
5962-85155022A	NRND	LCCC	FK	20	55	Non-RoHS & Green	SNPB	N / A for Pkg Type	-55 to 125	5962- 85155022A TIBPAL16 R8-20MFKB	
5962-8515502RA	NRND	CDIP	J	20	20	Non-RoHS & Green	SNPB	N / A for Pkg Type	-55 to 125	5962-8515502RA TIBPAL16R8-20M JB	
5962-85155032A	NRND	LCCC	FK	20	55	Non-RoHS & Green	SNPB	N / A for Pkg Type	-55 to 125	5962- 85155032A TIBPAL16 R6-20MFKB	
5962-8515503RA	NRND	CDIP	J	20	20	Non-RoHS & Green	SNPB	N / A for Pkg Type	-55 to 125	5962-8515503RA TIBPAL16R6-20M JB	
5962-8515503SA	NRND	CFP	W	20	25	Non-RoHS & Green	SNPB	N / A for Pkg Type	-55 to 125	5962-8515503SA TIBPAL16R6-20M WB	
5962-85155042A	ACTIVE	LCCC	FK	20	55	Non-RoHS & Green	SNPB	N / A for Pkg Type	-55 to 125	5962- 85155042A TIBPAL16 R4-20MFKB	<a href="#">Samples</a>
5962-8515504RA	ACTIVE	CDIP	J	20	20	Non-RoHS & Green	SNPB	N / A for Pkg Type	-55 to 125	5962-8515504RA TIBPAL16R4-20M JB	<a href="#">Samples</a>
5962-8515504SA	ACTIVE	CFP	W	20	25	Non-RoHS & Green	SNPB	N / A for Pkg Type	-55 to 125	5962-8515504SA TIBPAL16R4-20M	<a href="#">Samples</a>

Orderable Device	Status (1)	Package Type	Package Drawing	Pins	Package Qty	Eco Plan (2)	Lead finish/ Ball material (6)	MSL Peak Temp (3)	Op Temp (°C)	Device Marking (4/5)	Samples
										WB	
JM38510/50601BRA	ACTIVE	CDIP	J	20	20	Non-RoHS & Green	SNPB	N / A for Pkg Type	-55 to 125	JM38510/ 50601BRA	<a href="#">Samples</a>
JM38510/50604BRA	ACTIVE	CDIP	J	20	20	Non-RoHS & Green	SNPB	N / A for Pkg Type	-55 to 125	JM38510/ 50604BRA	<a href="#">Samples</a>
M38510/50601BRA	ACTIVE	CDIP	J	20	20	Non-RoHS & Green	SNPB	N / A for Pkg Type	-55 to 125	JM38510/ 50601BRA	<a href="#">Samples</a>
M38510/50604BRA	ACTIVE	CDIP	J	20	20	Non-RoHS & Green	SNPB	N / A for Pkg Type	-55 to 125	JM38510/ 50604BRA	<a href="#">Samples</a>
TIBPAL16L8-20MFKB	ACTIVE	LCCC	FK	20	55	Non-RoHS & Green	SNPB	N / A for Pkg Type	-55 to 125	5962- 85155012A TIBPAL16 L8-20MFKB	<a href="#">Samples</a>
TIBPAL16L8-20MJ	ACTIVE	CDIP	J	20	20	Non-RoHS & Green	SNPB	N / A for Pkg Type	-55 to 125	TIBPAL16L8-20M J	<a href="#">Samples</a>
TIBPAL16L8-20MJB	ACTIVE	CDIP	J	20	20	Non-RoHS & Green	SNPB	N / A for Pkg Type	-55 to 125	5962-8515501RA TIBPAL16L8-20M JB	<a href="#">Samples</a>
TIBPAL16L8-20MWB	ACTIVE	CFP	W	20	25	Non-RoHS & Green	SNPB	N / A for Pkg Type	-55 to 125	5962-8515501SA TIBPAL16L8-20M WB	<a href="#">Samples</a>
TIBPAL16R4-20MFKB	ACTIVE	LCCC	FK	20	55	Non-RoHS & Green	SNPB	N / A for Pkg Type	-55 to 125	5962- 85155042A TIBPAL16 R4-20MFKB	<a href="#">Samples</a>
TIBPAL16R4-20MJB	ACTIVE	CDIP	J	20	20	Non-RoHS & Green	SNPB	N / A for Pkg Type	-55 to 125	5962-8515504RA TIBPAL16R4-20M JB	<a href="#">Samples</a>
TIBPAL16R4-20MWB	ACTIVE	CFP	W	20	25	Non-RoHS & Green	SNPB	N / A for Pkg Type	-55 to 125	5962-8515504SA TIBPAL16R4-20M WB	<a href="#">Samples</a>
TIBPAL16R6-20MFKB	NRND	LCCC	FK	20	55	Non-RoHS & Green	SNPB	N / A for Pkg Type	-55 to 125	5962- 85155032A TIBPAL16 R6-20MFKB	
TIBPAL16R6-20MJB	NRND	CDIP	J	20	20	Non-RoHS & Green	SNPB	N / A for Pkg Type	-55 to 125	5962-8515503RA TIBPAL16R6-20M	

Orderable Device	Status (1)	Package Type	Package Drawing	Pins	Package Qty	Eco Plan (2)	Lead finish/ Ball material (6)	MSL Peak Temp (3)	Op Temp (°C)	Device Marking (4/5)	Samples
										JB	
TIBPAL16R6-20MWB	NRND	CFP	W	20	25	Non-RoHS & Green	SNPB	N / A for Pkg Type	-55 to 125	5962-8515503SA TIBPAL16R6-20MWB	
TIBPAL16R8-20MFKB	NRND	LCCC	FK	20	55	Non-RoHS & Green	SNPB	N / A for Pkg Type	-55 to 125	5962-85155022A TIBPAL16R8-20MFKB	
TIBPAL16R8-20MJB	NRND	CDIP	J	20	20	Non-RoHS & Green	SNPB	N / A for Pkg Type	-55 to 125	5962-8515502RA TIBPAL16R8-20MJB	

(1) The marketing status values are defined as follows:

**ACTIVE:** Product device recommended for new designs.

**LIFEBUY:** TI has announced that the device will be discontinued, and a lifetime-buy period is in effect.

**NRND:** Not recommended for new designs. Device is in production to support existing customers, but TI does not recommend using this part in a new design.

**PREVIEW:** Device has been announced but is not in production. Samples may or may not be available.

**OBSELETE:** TI has discontinued the production of the device.

(2) **RoHS:** TI defines "RoHS" to mean semiconductor products that are compliant with the current EU RoHS requirements for all 10 RoHS substances, including the requirement that RoHS substance do not exceed 0.1% by weight in homogeneous materials. Where designed to be soldered at high temperatures, "RoHS" products are suitable for use in specified lead-free processes. TI may reference these types of products as "Pb-Free".

**RoHS Exempt:** TI defines "RoHS Exempt" to mean products that contain lead but are compliant with EU RoHS pursuant to a specific EU RoHS exemption.

**Green:** TI defines "Green" to mean the content of Chlorine (Cl) and Bromine (Br) based flame retardants meet JS709B low halogen requirements of <=1000ppm threshold. Antimony trioxide based flame retardants must also meet the <=1000ppm threshold requirement.

(3) MSL, Peak Temp. - The Moisture Sensitivity Level rating according to the JEDEC industry standard classifications, and peak solder temperature.

(4) There may be additional marking, which relates to the logo, the lot trace code information, or the environmental category on the device.

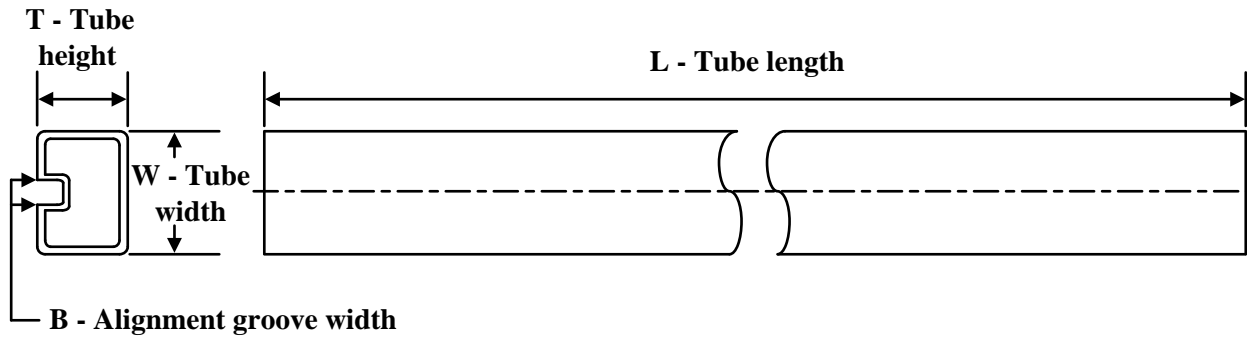
(5) Multiple Device Markings will be inside parentheses. Only one Device Marking contained in parentheses and separated by a "~" will appear on a device. If a line is indented then it is a continuation of the previous line and the two combined represent the entire Device Marking for that device.

(6) Lead finish/Ball material - Orderable Devices may have multiple material finish options. Finish options are separated by a vertical ruled line. Lead finish/Ball material values may wrap to two lines if the finish value exceeds the maximum column width.

**Important Information and Disclaimer:** The information provided on this page represents TI's knowledge and belief as of the date that it is provided. TI bases its knowledge and belief on information provided by third parties, and makes no representation or warranty as to the accuracy of such information. Efforts are underway to better integrate information from third parties. TI has taken and continues to take reasonable steps to provide representative and accurate information but may not have conducted destructive testing or chemical analysis on incoming materials and chemicals. TI and TI suppliers consider certain information to be proprietary, and thus CAS numbers and other limited information may not be available for release.

In no event shall TI's liability arising out of such information exceed the total purchase price of the TI part(s) at issue in this document sold by TI to Customer on an annual basis.

## TUBE

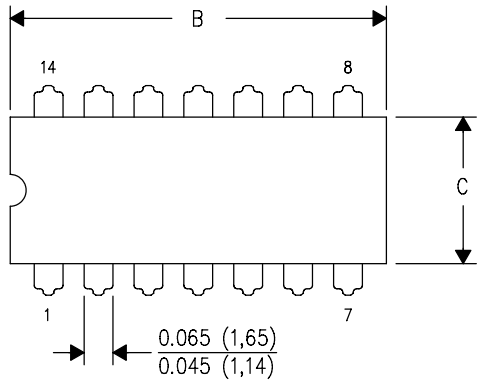


\*All dimensions are nominal

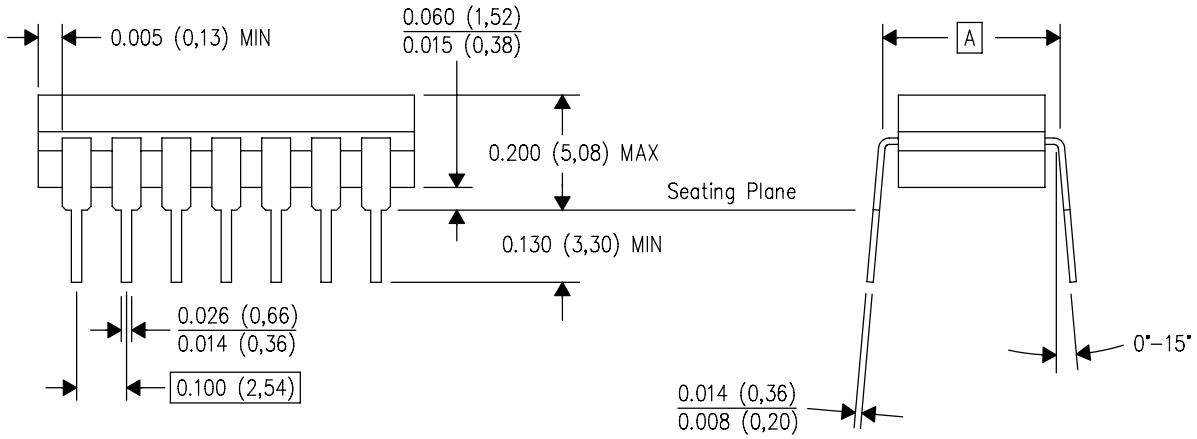
Device	Package Name	Package Type	Pins	SPQ	L (mm)	W (mm)	T (μm)	B (mm)
5962-85155012A	FK	LCCC	20	55	506.98	12.06	2030	NA
5962-8515501SA	W	CFP	20	25	506.98	26.16	6220	NA
5962-85155022A	FK	LCCC	20	55	506.98	12.06	2030	NA
5962-85155032A	FK	LCCC	20	55	506.98	12.06	2030	NA
5962-8515503SA	W	CFP	20	25	506.98	26.16	6220	NA
5962-85155042A	FK	LCCC	20	55	506.98	12.06	2030	NA
5962-8515504SA	W	CFP	20	25	506.98	26.16	6220	NA
TIBPAL16L8-20MFKB	FK	LCCC	20	55	506.98	12.06	2030	NA
TIBPAL16L8-20MWB	W	CFP	20	25	506.98	26.16	6220	NA
TIBPAL16R4-20MFKB	FK	LCCC	20	55	506.98	12.06	2030	NA
TIBPAL16R4-20MWB	W	CFP	20	25	506.98	26.16	6220	NA
TIBPAL16R6-20MFKB	FK	LCCC	20	55	506.98	12.06	2030	NA
TIBPAL16R6-20MWB	W	CFP	20	25	506.98	26.16	6220	NA
TIBPAL16R8-20MFKB	FK	LCCC	20	55	506.98	12.06	2030	NA

J (R-GDIP-T\*\*)   
 14 LEADS SHOWN

CERAMIC DUAL IN-LINE PACKAGE



DIM \ PINS **	14	16	18	20
A	0.300 (7,62) BSC	0.300 (7,62) BSC	0.300 (7,62) BSC	0.300 (7,62) BSC
B MAX	0.785 (19,94)	.840 (21,34)	0.960 (24,38)	1.060 (26,92)
B MIN	—	—	—	—
C MAX	0.300 (7,62)	0.300 (7,62)	0.310 (7,87)	0.300 (7,62)
C MIN	0.245 (6,22)	0.245 (6,22)	0.220 (5,59)	0.245 (6,22)



4040083/F 03/03

- NOTES:
- A. All linear dimensions are in inches (millimeters).
  - B. This drawing is subject to change without notice.
  - C. This package is hermetically sealed with a ceramic lid using glass frit.
  - D. Index point is provided on cap for terminal identification only on press ceramic glass frit seal only.
  - E. Falls within MIL STD 1835 GDIP1-T14, GDIP1-T16, GDIP1-T18 and GDIP1-T20.

## GENERIC PACKAGE VIEW

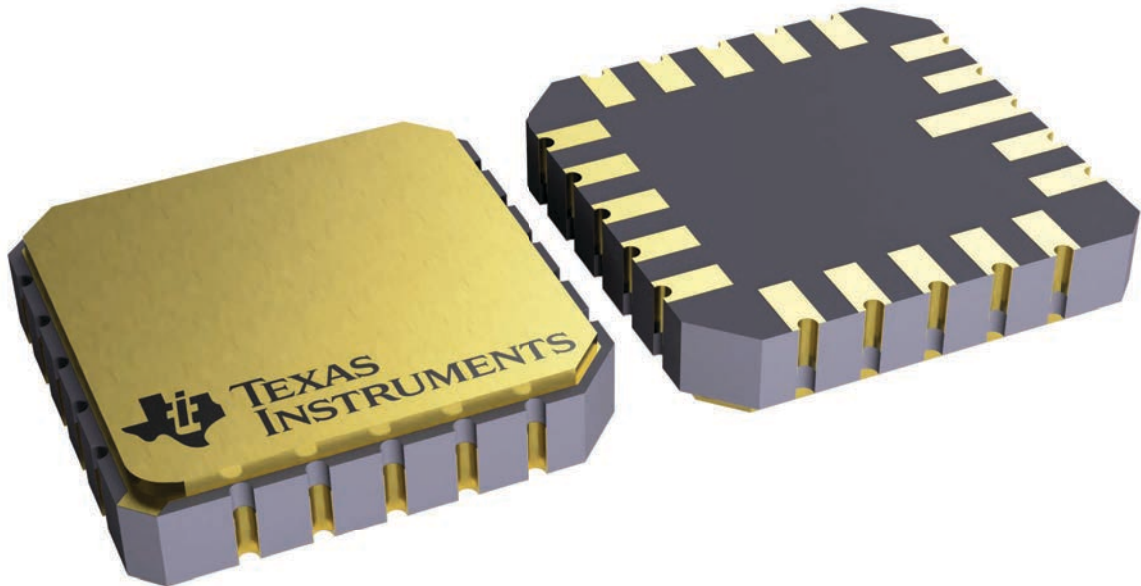
**FK 20**

**LCCC - 2.03 mm max height**

8.89 x 8.89, 1.27 mm pitch

LEADLESS CERAMIC CHIP CARRIER

This image is a representation of the package family, actual package may vary.  
Refer to the product data sheet for package details.

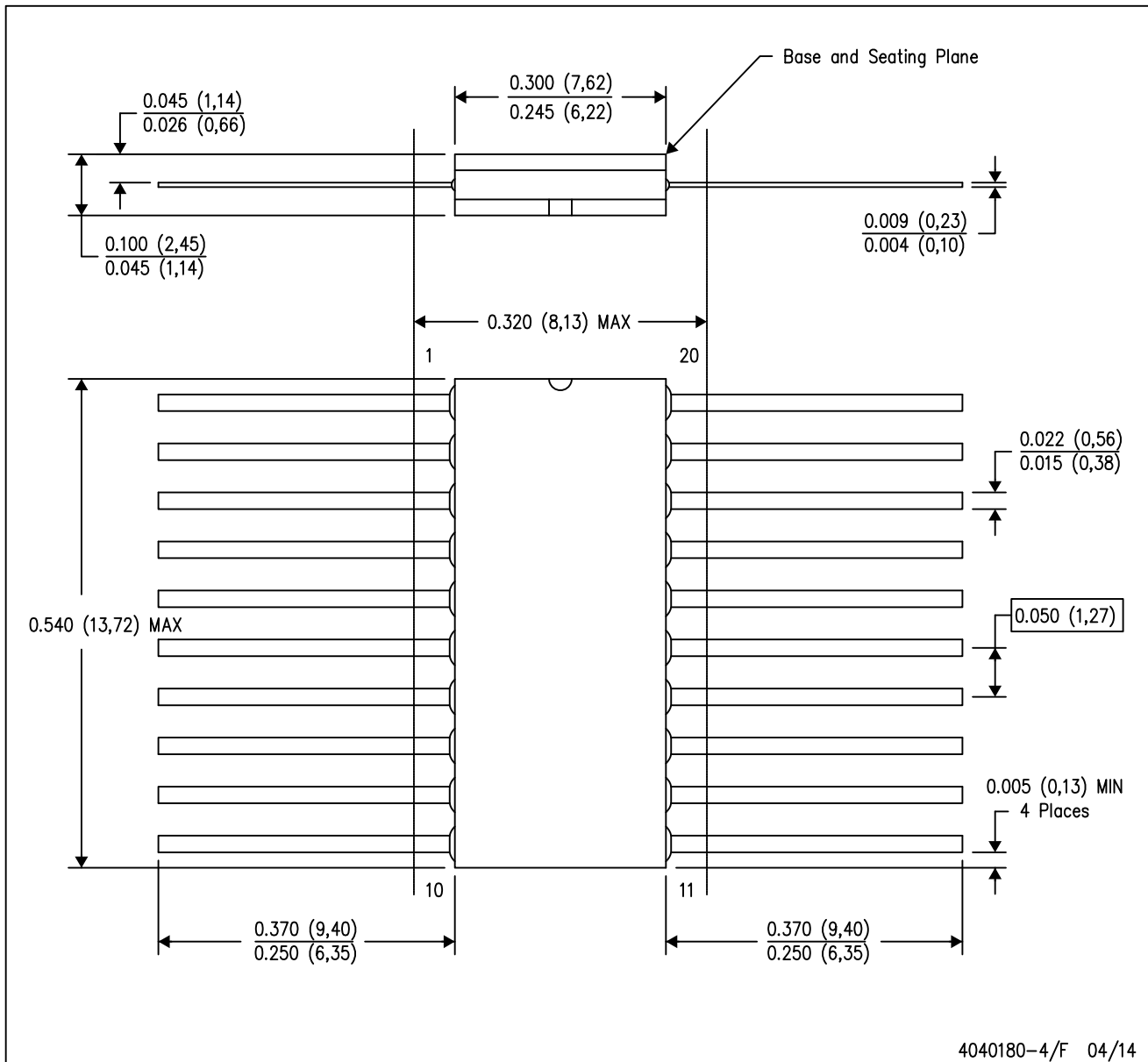


4229370VA\

## MECHANICAL DATA

W (R-GDFP-F20)

CERAMIC DUAL FLATPACK



- NOTES:
- All linear dimensions are in inches (millimeters).
  - This drawing is subject to change without notice.
  - This package can be hermetically sealed with a ceramic lid using glass frit.
  - Index point is provided on cap for terminal identification only.
  - Falls within Mil-Std 1835 GDFP2-F20

## IMPORTANT NOTICE AND DISCLAIMER

TI PROVIDES TECHNICAL AND RELIABILITY DATA (INCLUDING DATA SHEETS), DESIGN RESOURCES (INCLUDING REFERENCE DESIGNS), APPLICATION OR OTHER DESIGN ADVICE, WEB TOOLS, SAFETY INFORMATION, AND OTHER RESOURCES "AS IS" AND WITH ALL FAULTS, AND DISCLAIMS ALL WARRANTIES, EXPRESS AND IMPLIED, INCLUDING WITHOUT LIMITATION ANY IMPLIED WARRANTIES OF MERCHANTABILITY, FITNESS FOR A PARTICULAR PURPOSE OR NON-INFRINGEMENT OF THIRD PARTY INTELLECTUAL PROPERTY RIGHTS.

These resources are intended for skilled developers designing with TI products. You are solely responsible for (1) selecting the appropriate TI products for your application, (2) designing, validating and testing your application, and (3) ensuring your application meets applicable standards, and any other safety, security, regulatory or other requirements.

These resources are subject to change without notice. TI grants you permission to use these resources only for development of an application that uses the TI products described in the resource. Other reproduction and display of these resources is prohibited. No license is granted to any other TI intellectual property right or to any third party intellectual property right. TI disclaims responsibility for, and you will fully indemnify TI and its representatives against, any claims, damages, costs, losses, and liabilities arising out of your use of these resources.

TI's products are provided subject to [TI's Terms of Sale](#) or other applicable terms available either on [ti.com](#) or provided in conjunction with such TI products. TI's provision of these resources does not expand or otherwise alter TI's applicable warranties or warranty disclaimers for TI products.

TI objects to and rejects any additional or different terms you may have proposed.

Mailing Address: Texas Instruments, Post Office Box 655303, Dallas, Texas 75265

Copyright © 2025, Texas Instruments Incorporated

## OUR CERTIFICATE

DiGi provide top-quality products and perfect service for customer worldwide through standardization, technological innovation and continuous improvement. DiGi through third-party certification, we strictly control the quality of products and services. Welcome your RFQ to

Email: [Info@DiGi-Electronics.com](mailto:Info@DiGi-Electronics.com)



Tel: +00 852-30501935

RFQ Email: [Info@DiGi-Electronics.com](mailto:Info@DiGi-Electronics.com)

DiGi is a global authorized distributor of electronic components.