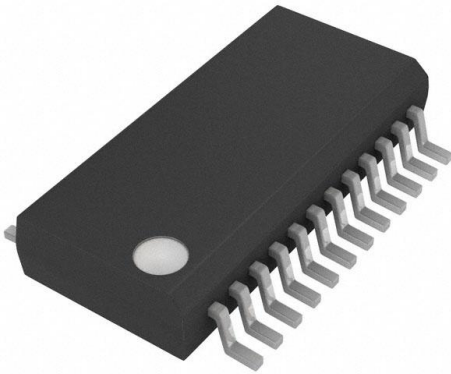


TLC5948DBQR Datasheet

www.digi-electronics.com



<https://www.DiGi-Electronics.com>

| | |
|------------------------------|--|
| DiGi Electronics Part Number | TLC5948DBQR-DG |
| Manufacturer | Texas Instruments |
| Manufacturer Product Number | TLC5948DBQR |
| Description | IC LED DRIVER LINEAR 60MA 24SSOP |
| Detailed Description | LED Driver IC 16 Output Linear Shift Register Dimming 60mA 24-SSOP |



Tel: +00 852-30501935

RFQ Email: Info@DiGi-Electronics.com

DiGi is a global authorized distributor of electronic components.

Purchase and inquiry

Manufacturer Product Number:

TLC5948DBQR

Series:

-

Type:

Linear

Internal Switch(s):

Yes

Voltage - Supply (Min):

3V

Voltage - Output:

10V

Frequency:

-

Applications:

Signage

Mounting Type:

Surface Mount

Supplier Device Package:

24-SSOP

Manufacturer:

Texas Instruments

Product Status:

Obsolete

Topology:

Shift Register

Number of Outputs:

16

Voltage - Supply (Max):

5.5V

Current - Output / Channel:

60mA

Dimming:

-

Operating Temperature:

-40°C ~ 85°C (TA)

Package / Case:

24-SSOP (0.154", 3.90mm Width)

Base Product Number:

TLC5948

Environmental & Export classification

RoHS Status:

ROHS3 Compliant

REACH Status:

REACH Unaffected

HTSUS:

8542.39.0001

Moisture Sensitivity Level (MSL):

2 (1 Year)

ECCN:

EAR99

16-Channel, 16-Bit, ES-PWM LED Driver with Full Self-Diagnosis for LED Lamp with 7-Bit DC and 7-Bit Global BC

Check for Samples: [TLC5948](#)

FEATURES

- 16 Constant-Current Sink Output Channels
- Sink Current Capability with Max DC/BC Data:
 - 2 mA to 45 mA ($V_{CC} \leq 3.6$ V)
 - 2 mA to 60 mA ($V_{CC} > 3.6$ V)
- Dot Correction (DC):
 - 7-Bit (128 Steps) with 0% to 100% Range
- Global Brightness Control (BC):
 - 7-Bit (128 Steps) with 25% to 100% Range
- Grayscale Control (GS) with Enhanced Spectrum or Conventional PWM:
 - 16-Bit (65,536 Steps)
- LED Power-Supply Voltage: Up to 10 V
- VCC: 3.0 V to 5.5 V
- Constant-Current Accuracy:
 - Channel-to-Channel: $\pm 0.6\%$ (typ), $\pm 2\%$ (max)
 - Device-to-Device: $\pm 1\%$ (typ), $\pm 4\%$ (max)
- Data Transfer Rate: 33 MHz
- Grayscale Control Clock: 33 MHz
- Auto Display Repeat/Auto Data Refresh
- Display Timing Reset
- Power-Save Mode to Minimize VCC Current
- LOD/LSD with Invisible Detection Mode (IDM)
- Output Leakage Detection (OLD)
- Current Reference Terminal Short Flag (ISF)

- Thermal Shutdown (TSD) and Error Flag (TEF)
- Pre-Thermal Warning (PTW)
- Four-Channel Grouped Delay Switching to Prevent Inrush Current
- Operating Temperature: -40°C to $+85^{\circ}\text{C}$

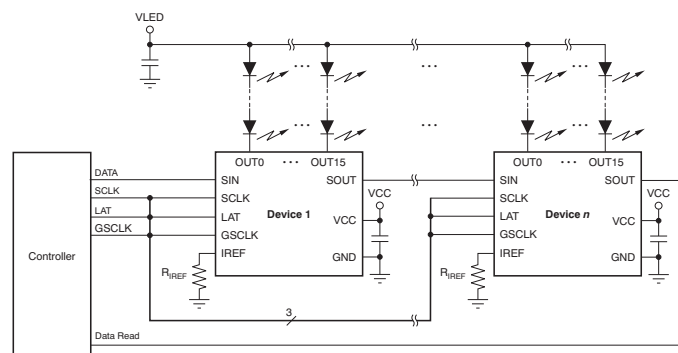
APPLICATIONS

- LED Video Displays
- LED Signboards

DESCRIPTION

The TLC5948 is a 16-channel, constant-current sink LED driver. Each channel has an individually-adjustable, pulse width modulation (PWM) grayscale (GS) brightness control with 65,536 steps and 128 steps of constant-current dot correction (DC). DC adjusts brightness deviation between channels. All channels have a 128-step global brightness control (BC). BC adjusts brightness deviation with other LED drivers. GS, DC, and BC data are accessible via a serial interface port.

The TLC5948 has six error flags: LED open detection (LOD), LED short detection (LSD), output leakage detection (OLD), reference current terminal short flag detection (ISF), pre-thermal warning (PTW), and thermal error flag (TEF). The error detection results can be read via a serial interface port.



Typical Application Circuit (Multiple Daisy-Chainned TLC5948s)



Please be aware that an important notice concerning availability, standard warranty, and use in critical applications of Texas Instruments semiconductor products and disclaimers thereto appears at the end of this data sheet.

PowerPAD is a trademark of Texas Instruments.

All other trademarks are the property of their respective owners.



This integrated circuit can be damaged by ESD. Texas Instruments recommends that all integrated circuits be handled with appropriate precautions. Failure to observe proper handling and installation procedures can cause damage.

ESD damage can range from subtle performance degradation to complete device failure. Precision integrated circuits may be more susceptible to damage because very small parametric changes could cause the device not to meet its published specifications.

PACKAGE/ORDERING INFORMATION⁽¹⁾

| PRODUCT | PACKAGE-LEAD | PACKAGE DESIGNATOR | ORDERING NUMBER | TRANSPORT MEDIA, QUANTITY |
|---------|---------------------|--------------------|-----------------|---------------------------|
| TLC5948 | SSOP/QSOP-24 | DBQ | TLC5948DBQR | Tape and Reel, 2500 |
| | | | TLC5948DBQ | Tube, 50 |
| | HTSSOP-24 PowerPAD™ | PWP | TLC5948PWPR | Tape and Reel, 2000 |
| | | | TLC5948PWP | Tube, 60 |

(1) For the most current package and ordering information, see the Package Option Addendum at the end of this document, or visit the device product folder at www.ti.com.

ABSOLUTE MAXIMUM RATINGS⁽¹⁾

Over operating free-air temperature range, unless otherwise noted.

| | | VALUE | | UNIT |
|---------------------------------|--|-------|-----------------------|------|
| | | MIN | MAX | |
| Voltage ⁽²⁾ | VCC | -0.3 | +6.0 | V |
| | SIN, SCLK, LAT, GSCLK, IREF | -0.3 | V _{CC} + 0.3 | V |
| | SOUT | -0.3 | V _{CC} + 0.3 | V |
| | OUT0 to OUT15 | -0.3 | +11 | V |
| Current | OUT0 to OUT15 | | +70 | mA |
| Temperature | Operating junction, T _J (max) | | +150 | °C |
| | Storage, T _{stg} | -55 | +150 | °C |
| Electrostatic discharge ratings | Human body model (HBM) | | 4000 | V |
| | Charged device model (CDM) | | 2000 | V |

(1) Stresses beyond those listed under *Absolute Maximum Ratings* may cause permanent damage to the device. These are stress ratings only, and functional operation of the device at these or any other conditions beyond those indicated under *Recommended Operating Conditions* is not implied. Exposure to absolute-maximum-rated conditions for extended periods may affect device reliability.

(2) All voltages are with respect to device ground terminal.

THERMAL INFORMATION

| THERMAL METRIC ⁽¹⁾ | TLC5948 | | UNITS |
|--|---------|---------|-------|
| | DBQ | PWP | |
| | 24 PINS | 24 PINS | |
| θ_{JA} Junction-to-ambient thermal resistance | 80.4 | 39.9 | °C/W |
| θ_{JCTop} Junction-to-case (top) thermal resistance | 44.2 | 23.2 | |
| θ_{JB} Junction-to-board thermal resistance | 33.5 | 21.5 | |
| ψ_{JT} Junction-to-top characterization parameter | 8.8 | 0.6 | |
| ψ_{JB} Junction-to-board characterization parameter | 33.2 | 21.3 | |
| θ_{JCbott} Junction-to-case (bottom) thermal resistance | N/A | 3.8 | |

(1) For more information about traditional and new thermal metrics, see the *IC Package Thermal Metrics* application report, [SPRA953](http://www.ti.com/lit/spr953).

RECOMMENDED OPERATING CONDITIONS

 At $T_A = -40^{\circ}\text{C}$ to $+85^{\circ}\text{C}$, unless otherwise noted.

| PARAMETER | TEST CONDITIONS | TLC5948 | | | UNIT |
|--|--|--|-----------------------------------|---------------------|--------------------|
| | | MIN | NOM | MAX | |
| DC Characteristics: $V_{CC} = 3\text{ V}$ to 5.5 V | | | | | |
| V_{CC} | Supply voltage | | 3.0 | 5.5 | V |
| V_O | Voltage applied to output | OUT0 to OUT15 | | 10 | V |
| V_{IH} | High-level input voltage | SIN, SCLK, LAT, GSCLK | $0.7 \times V_{CC}$ | V_{CC} | V |
| V_{IL} | Low-level input voltage | SIN, SCLK, LAT, GSCLK | GND | $0.3 \times V_{CC}$ | V |
| I_{OH} | High-level output current | SOUT | | -2 | mA |
| I_{OL} | Low-level output current | SOUT | | 2 | mA |
| I_{OLC} | Constant output sink current | OUT0 to OUT15, $3\text{ V} \leq V_{CC} \leq 3.6\text{ V}$ | | 45 | mA |
| | | OUT0 to OUT15, $3.6\text{ V} < V_{CC} \leq 5.5\text{ V}$ | | 60 | mA |
| T_A | Operating free-air temperature range | | -40 | +85 | $^{\circ}\text{C}$ |
| T_J | Operating junction temperature range | | -40 | +125 | $^{\circ}\text{C}$ |
| AC Characteristics: $V_{CC} = 3\text{ V}$ to 5.5 V | | | | | |
| f_{CLK} (SCLK) | Data shift clock frequency | SCLK | | 33 | MHz |
| f_{CLK} (GSCLK) | Grayscale control clock frequency | GSCLK | | 33 | MHz |
| t_{WH0} | Pulse duration | SCLK | 10 | | ns |
| t_{WL0} | | SCLK | 10 | | ns |
| t_{WH1} | | GSCLK | 10 | | ns |
| t_{WL1} | | GSCLK | 10 | | ns |
| t_{WH2} | | LAT | 30 | | ns |
| t_{SU0} | | Setup time | SIN \uparrow to SCLK \uparrow | 5 | |
| t_{SU1} | LAT \uparrow to SCLK \uparrow | | 120 | | ns |
| t_{SU2} | LAT \uparrow for BLANK bit '0' set to GSCLK \uparrow | | 50 | | ns |
| t_{SU3} | LAT \uparrow for GS data written to GSCLK \uparrow when display time reset mode is enabled | | 100 | | ns |
| t_{H0} | Hold time | SCLK \uparrow to SIN \uparrow | 5 | | ns |
| t_{H1} | | SCLK \uparrow to LAT \uparrow | 5 | | ns |

ELECTRICAL CHARACTERISTICS

At $V_{CC} = 3\text{ V}$ to 5.5 V and $T_A = -40^\circ\text{C}$ to $+85^\circ\text{C}$. Typical values at $V_{CC} = 3.3\text{ V}$ and $T_A = +25^\circ\text{C}$, unless otherwise noted.

| PARAMETER | TEST CONDITIONS | TLC5948 | | | UNIT | |
|-------------|--|--|----------------------|----------------------|------|---------------|
| | | MIN | TYP | MAX | | |
| V_{OH} | High-level output voltage (SOUT) $I_{OH} = -2\text{ mA}$ | $V_{CC} - 0.4$ | | | V | |
| V_{OL} | Low-level output voltage (SOUT) $I_{OL} = 2\text{ mA}$ | 0.4 | | | V | |
| V_{LOD0} | LED open detection threshold All $OUT_n = \text{on}$, detection voltage code = 0h | 0.25 | 0.30 | 0.35 | V | |
| V_{LOD1} | | 0.55 | 0.6 | 0.65 | V | |
| V_{LOD2} | | 0.85 | 0.9 | 0.95 | V | |
| V_{LOD3} | | 1.15 | 1.2 | 1.25 | V | |
| V_{LSD0} | LED short detection threshold All $OUT_n = \text{on}$, detection voltage code = 0h | $0.30 \times V_{CC}$ | $0.35 \times V_{CC}$ | $0.40 \times V_{CC}$ | V | |
| V_{LSD1} | | $0.40 \times V_{CC}$ | $0.45 \times V_{CC}$ | $0.50 \times V_{CC}$ | V | |
| V_{LSD2} | | $0.50 \times V_{CC}$ | $0.55 \times V_{CC}$ | $0.60 \times V_{CC}$ | V | |
| V_{LSD3} | | $0.60 \times V_{CC}$ | $0.65 \times V_{CC}$ | $0.70 \times V_{CC}$ | V | |
| V_{IREF} | Reference voltage output $R_{IREF} = 1.1\text{ k}\Omega$ | 1.17 | 1.20 | 1.23 | V | |
| I_{IN} | Input current (SIN, SCLK, LAT, GSCLK) $V_{IN} = V_{CC}$ or GND | -1 | | | 1 | μA |
| I_{CC0} | Supply current (V_{CC}) SIN/SCLK/LAT/GSCLK = GND, BLANK = 1, $GS_n = \text{FFFFh}$, DCn/BC = 7Fh, $V_{OUT_n} = 0.8\text{ V}$, $R_{IREF} = \text{open}$ (all outputs off) | 1.5 | | | 3 | mA |
| I_{CC1} | | 5 | | | 7 | mA |
| I_{CC2} | | 7 | | | 9 | mA |
| I_{CC3} | | 11 | | | 14 | mA |
| I_{CC4} | | 13 | | | 18 | mA |
| I_{CC5} | $V_{CC} = 5.0\text{ V}$, SIN/SCLK/LAT/GSCLK = GND, BLANK = 0, auto display repeat enabled, GSCLK = 33 MHz, $GS_n = \text{FFFFh}$, DCn/BC = 7Fh, $V_{OUT_n} = 0.8\text{ V}$, $R_{IREF} = 0.91\text{ k}\Omega$ ($I_{OUT} = 55.8\text{ mA}$ target) | 10 | | | 40 | μA |
| I_{OLC0} | Constant output sink current (OUT0 to OUT15) All $OUT_n = \text{on}$, DCn/BC = 7Fh, $V_{OUT_n} = V_{OUT_{fix}} = 0.8\text{ V}$, $R_{IREF} = 1.1\text{ k}\Omega$, $T_A = +25^\circ\text{C}$ ($I_{OLC_n} = 46.1\text{ mA}$ target) | 43.4 | 46.1 | 48.8 | mA | |
| I_{OLC1} | | $V_{CC} = 5.0\text{ V}$, All $OUT_n = \text{on}$, DCn/BC = 7Fh, $V_{OUT_n} = V_{OUT_{fix}} = 0.8\text{ V}$, $R_{IREF} = 0.91\text{ k}\Omega$, $T_A = +25^\circ\text{C}$ ($I_{OLC_n} = 55.8\text{ mA}$ target) | 52.5 | 55.8 | 59.1 | mA |
| I_{OLKG0} | Output leakage current (OUT0 to OUT15) All $OUT_n = \text{off}$, BLANK = 1, $V_{OUT_n} = V_{OUT_{fix}} = 10\text{ V}$, $R_{IREF} = 1.1\text{ k}\Omega$ | $T_J = +25^\circ\text{C}$ | | | 0.1 | μA |
| I_{OLKG1} | | $T_J = +85^\circ\text{C}^{(1)}$ | | | 0.2 | μA |
| I_{OLKG2} | | $T_J = +125^\circ\text{C}^{(1)}$ | | | 0.3 | 0.8 |

(1) Not tested; specified by design.

ELECTRICAL CHARACTERISTICS (continued)

 At $V_{CC} = 3\text{ V}$ to 5.5 V and $T_A = -40^\circ\text{C}$ to $+85^\circ\text{C}$. Typical values at $V_{CC} = 3.3\text{ V}$ and $T_A = +25^\circ\text{C}$, unless otherwise noted.

| PARAMETER | | TEST CONDITIONS | TLC5948 | | | UNIT |
|-------------------|---|---|---------|-----------|---------|------------------|
| | | | MIN | TYP | MAX | |
| ΔI_{OLC0} | Constant-current error (channel-to-channel, OUT0 to OUT15) ⁽²⁾ | All $OUT_n = \text{on}$, $DCn/BC = 7Fh$, $V_{OUTn} = V_{OUTfix} = 0.8\text{ V}$, $R_{IREF} = 1.1\text{ k}\Omega$, $T_A = +25^\circ\text{C}$ ($I_{OUTn} = 46.1\text{ mA}$ target) | | ± 0.6 | ± 2 | % |
| ΔI_{OLC1} | Constant-current error (device-to-device, OUT0 to OUT15) ⁽³⁾ | All $OUT_n = \text{on}$, $DCn/BC = 7Fh$, $V_{OUTn} = V_{OUTfix} = 0.8\text{ V}$, $R_{IREF} = 1.1\text{ k}\Omega$, $T_A = +25^\circ\text{C}$ ($I_{OUTn} = 46.1\text{ mA}$ target) | | ± 1 | ± 4 | % |
| ΔI_{OLC2} | Line regulation (OUT0 to OUT15) ⁽⁴⁾ | $V_{CC} = 3.0\text{ V}$ to 5.5 V , all $OUT_n = \text{on}$, $DCn/BC = 7Fh$, $V_{OUTn} = V_{OUTfix} = 0.8\text{ V}$, $R_{IREF} = 1.1\text{ k}\Omega$ ($I_{OUTn} = 46.1\text{ mA}$ target) | | ± 0.1 | ± 1 | %/V |
| ΔI_{OLC3} | Load regulation (OUT0 to OUT15) ⁽⁵⁾ | All $OUT_n = \text{on}$, $DCn/BC = 7Fh$, $V_{OUTn} = 0.8\text{ V}$ to 3.0 V , $V_{OUTfix} = 0.8\text{ V}$, $R_{IREF} = 1.1\text{ k}\Omega$ ($I_{OUTn} = 46.1\text{ mA}$ target) | | ± 0.1 | ± 1 | %/V |
| T_{TEF} | Thermal error flag threshold | Junction temperature ⁽⁶⁾ | 150 | 165 | 180 | $^\circ\text{C}$ |
| T_{HYS} | Thermal error flag hysteresis | Junction temperature ⁽⁶⁾ | 5 | 10 | 20 | $^\circ\text{C}$ |
| T_{PTW} | Pre-thermal warning threshold | Junction temperature ⁽⁶⁾ | 125 | 138 | 150 | $^\circ\text{C}$ |

(2) The deviation of each output from the average of OUT0 to OUT15 constant-current. Deviation is calculated by the formula:

$$\Delta (\%) = 100 \times \left[\frac{I_{OLC(n)}}{\left(\frac{I_{OLC(0)} + I_{OLC(1)} + \dots + I_{OLC(14)} + I_{OLC(15)}}{16} \right)} - 1 \right]$$

 where $n = 0$ to 15 .

(3) The deviation of the OUT0 to OUT15 constant-current average from the ideal constant-current value. Deviation is calculated by the formula:

$$\Delta (\%) = 100 \times \left[\frac{\left(\frac{I_{OLC(0)} + I_{OLC(1)} + \dots + I_{OLC(14)} + I_{OLC(15)}}{16} \right) - (\text{Ideal Output Current})}{\text{Ideal Output Current}} \right]$$

Ideal current is calculated by the formula:

$$I_{OLCn(\text{IDEAL})} (\text{mA}) = 42.3 \times \left[\frac{1.20}{R_{IREF}} \right]$$

(4) Line regulation is calculated by the formula:

$$\Delta (\%/V) = \left[\frac{I_{OLC(n)} \text{ at } V_{CC} = 5.5\text{ V} - I_{OLC(n)} \text{ at } V_{CC} = 3.0\text{ V}}{I_{OLC(n)} \text{ at } V_{CC} = 3.0\text{ V}} \right] \times \frac{100}{5.5\text{ V} - 3.0\text{ V}}$$

 where $n = 0$ to 15 .

(5) Load regulation is calculated by the equation:

$$\Delta (\%/V) = \left[\frac{I_{OLC(n)} \text{ at } V_{OUTn} = 3\text{ V} - I_{OLC(n)} \text{ at } V_{OUTn} = 0.8\text{ V}}{I_{OLC(n)} \text{ at } V_{OUTn} = 0.8\text{ V}} \right] \times \frac{100}{3\text{ V} - 0.8\text{ V}}$$

 where $n = 0$ to 15 .

(6) Not tested; specified by design.

SWITCHING CHARACTERISTICS (See Figure 4, Figure 5, and Figure 8 through Figure 11)

At $V_{CC} = 3\text{ V}$ to 5.5 V , $T_A = -40^\circ\text{C}$ to $+85^\circ\text{C}$, $C_L = 15\text{ pF}$, $R_L = 82\ \Omega$, $R_{REF} = 1.1\text{ k}\Omega$, and $V_{LED} = 5.0\text{ V}$.
 Typical values at $V_{CC} = 3.3\text{ V}$ and $T_A = +25^\circ\text{C}$, unless otherwise noted.

| PARAMETER | | TEST CONDITIONS | TLC5948 | | | UNIT |
|---------------|-------------------------------------|---|---------|-----|-----|---------------|
| | | | MIN | TYP | MAX | |
| t_{R0} | Rise time | SOUT | | | 5 | ns |
| t_{R1} | | OUT n , DC n /BC = 7Fh | | 13 | | ns |
| t_{F0} | Fall time | SOUT | | | 5 | ns |
| t_{F1} | | OUT n , DC n /BC = 7Fh | | 23 | | ns |
| t_{D0} | Propagation delay | SCLK \uparrow to SOUT $\uparrow\downarrow$ | | 15 | 25 | ns |
| t_{D1} | | LAT \uparrow for BLANK = 1 set to OUT0/7/8/15 off | | 40 | 75 | ns |
| t_{D2} | | GSCLK \uparrow to OUT0/7/8/15 on/off with DC n /BC = 7Fh | 5 | 36 | 65 | ns |
| t_{D3} | | GSCLK \uparrow to OUT1/6/9/14 on/off with DC n /BC = 7Fh | 20 | 62 | 97 | ns |
| t_{D4} | | GSCLK \uparrow to OUT2/5/10/13 on/off with DC n /BC = 7Fh | 35 | 88 | 129 | ns |
| t_{D5} | | GSCLK \uparrow to OUT3/4/11/12 on/off with DC n /BC = 7Fh | 50 | 114 | 161 | ns |
| t_{D6} | | LAT \uparrow to power-save mode by writing data for OUT n off with BLANK = 1 and PSMODE = 110 | | | 200 | ns |
| t_{D7} | | SCLK \uparrow to normal mode with PSMODE = 101 or LAT \uparrow to normal mode by writing GS data for OUT n on with BLANK = 1 and PSMODE = 110 | | | 50 | μs |
| t_{ON_ERR} | Output on-time error ⁽¹⁾ | $t_{OUTON} - t_{GSCLK}$, GS n = 0001h, GSCLK = 33 MHz, DC n /BC = 7Fh, $T_A = +25^\circ\text{C}$ | -20 | | 10 | ns |

- (1) Output on-time error (t_{ON_ERR}) is calculated by the formula: $t_{ON_ERR} = t_{OUTON} - t_{GSCLK}$. t_{OUTON} is the actual on-time of the constant-current driver. t_{GSCLK} is the GSCLK period.

PARAMETER MEASUREMENT INFORMATION

PIN-EQUIVALENT INPUT AND OUTPUT SCHEMATIC DIAGRAMS

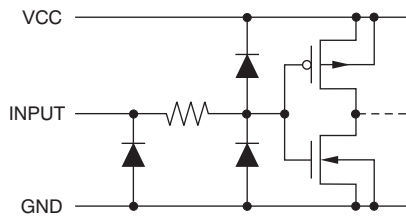


Figure 1. SIN, SCLK, LAT, GSCLK

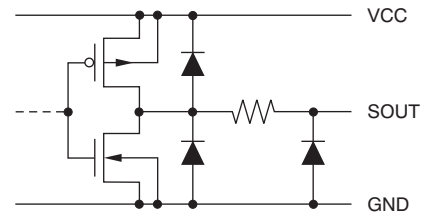
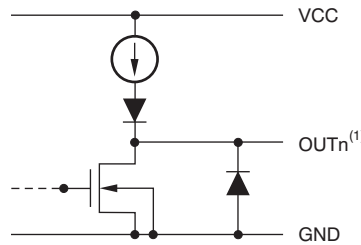


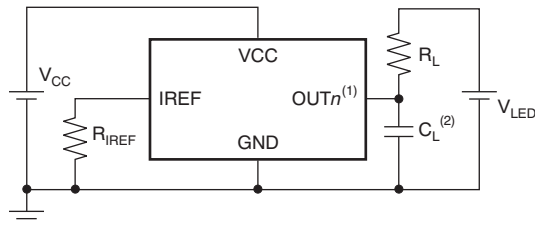
Figure 2. SOUT



(1) n = 0 to 15.

Figure 3. OUT0 Through OUT15

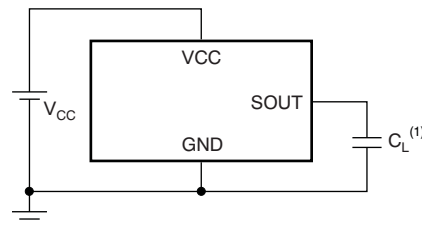
TEST CIRCUITS



(1) n = 0 to 15.

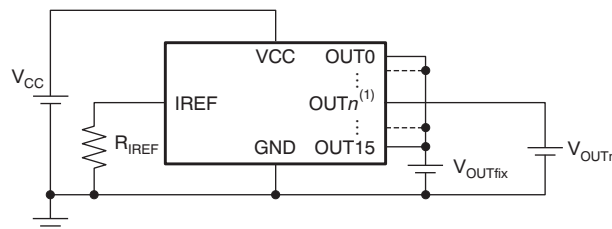
(2) C_L includes measurement probe and jig capacitance.

Figure 4. Rise Time and Fall Time Test Circuit for OUT_n



(1) C_L includes measurement probe and jig capacitance.

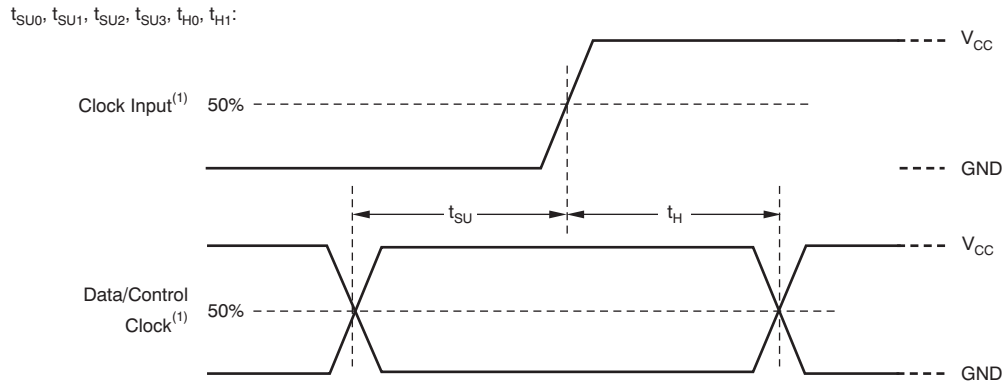
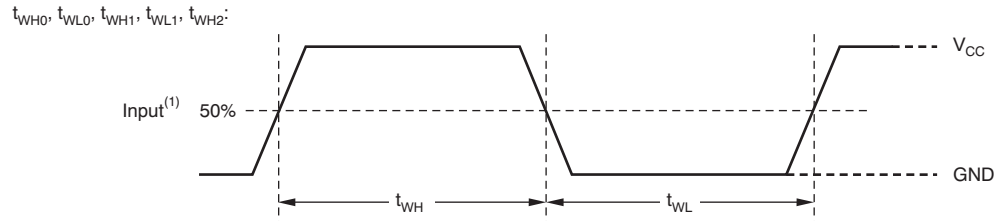
Figure 5. Rise Time and Fall Time Test Circuit for SOUT



(1) n = 0 to 15.

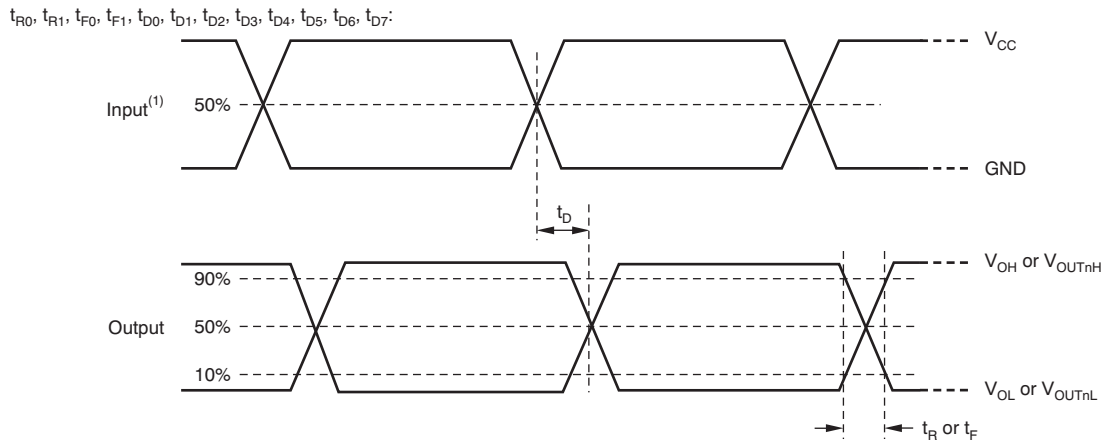
Figure 6. Constant-Current Test Circuit for OUT_n

TIMING DIAGRAMS



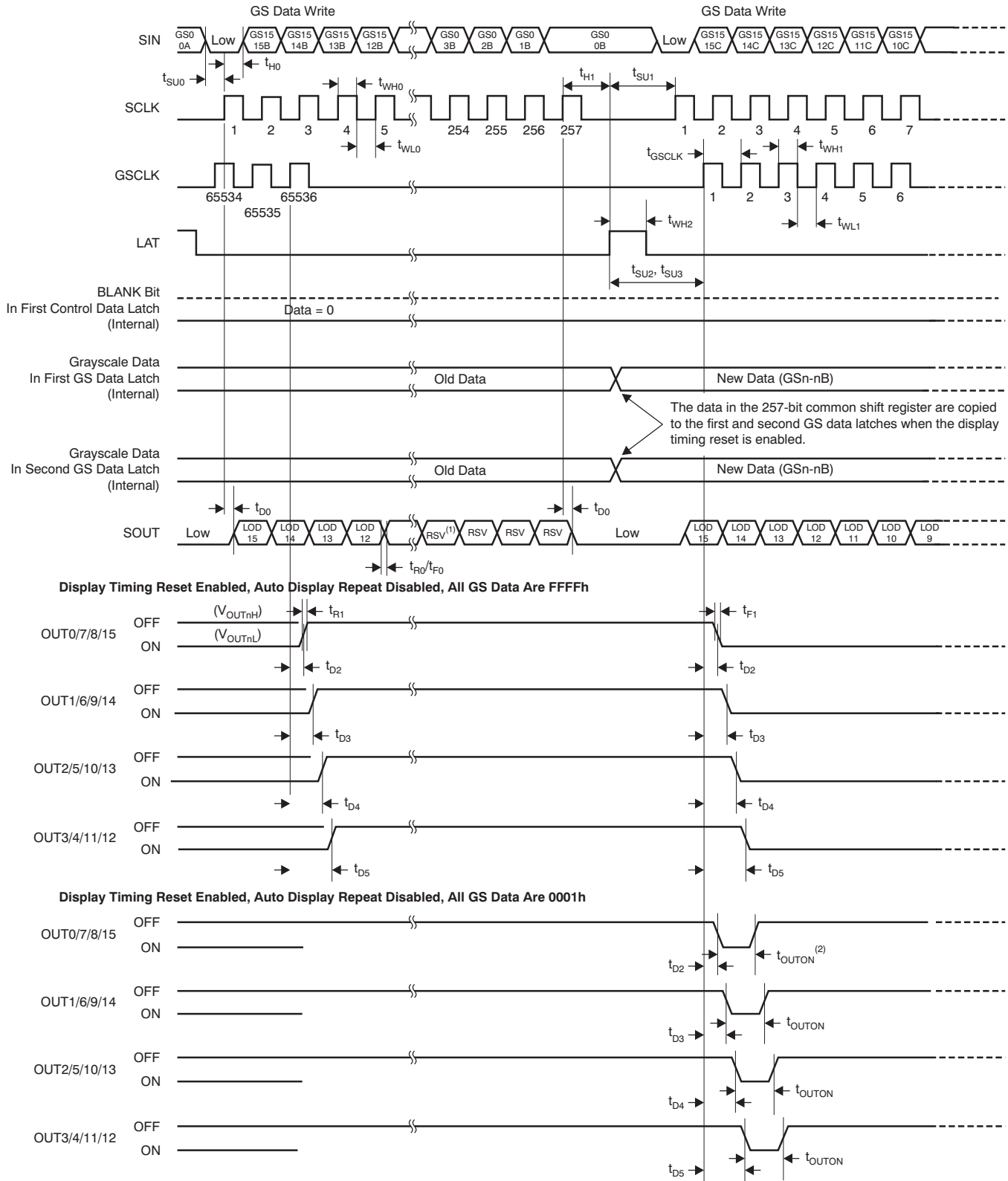
(1) Input pulse rise and fall time is 1 ns to 3 ns.

Figure 7. Input Timing



(1) Input pulse rise and fall time is 1 ns to 3 ns.

Figure 8. Output Timing



(1) RSV = reserved.

(2) t_{OUTON} refers to $t_{ON_ERR} = t_{OUTON} - t_{GSCLK}$.

Figure 9. Grayscale Data Write Timing

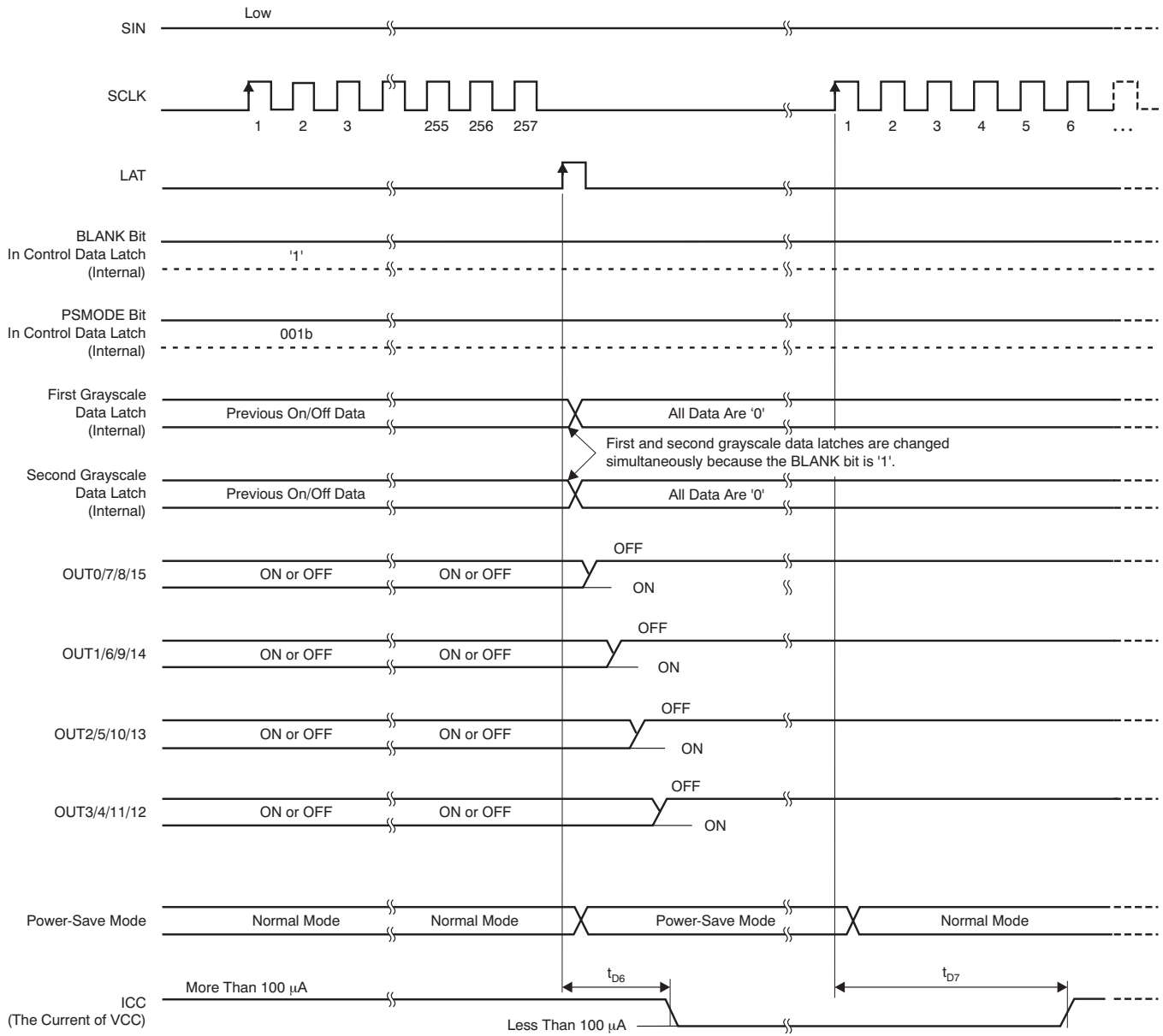
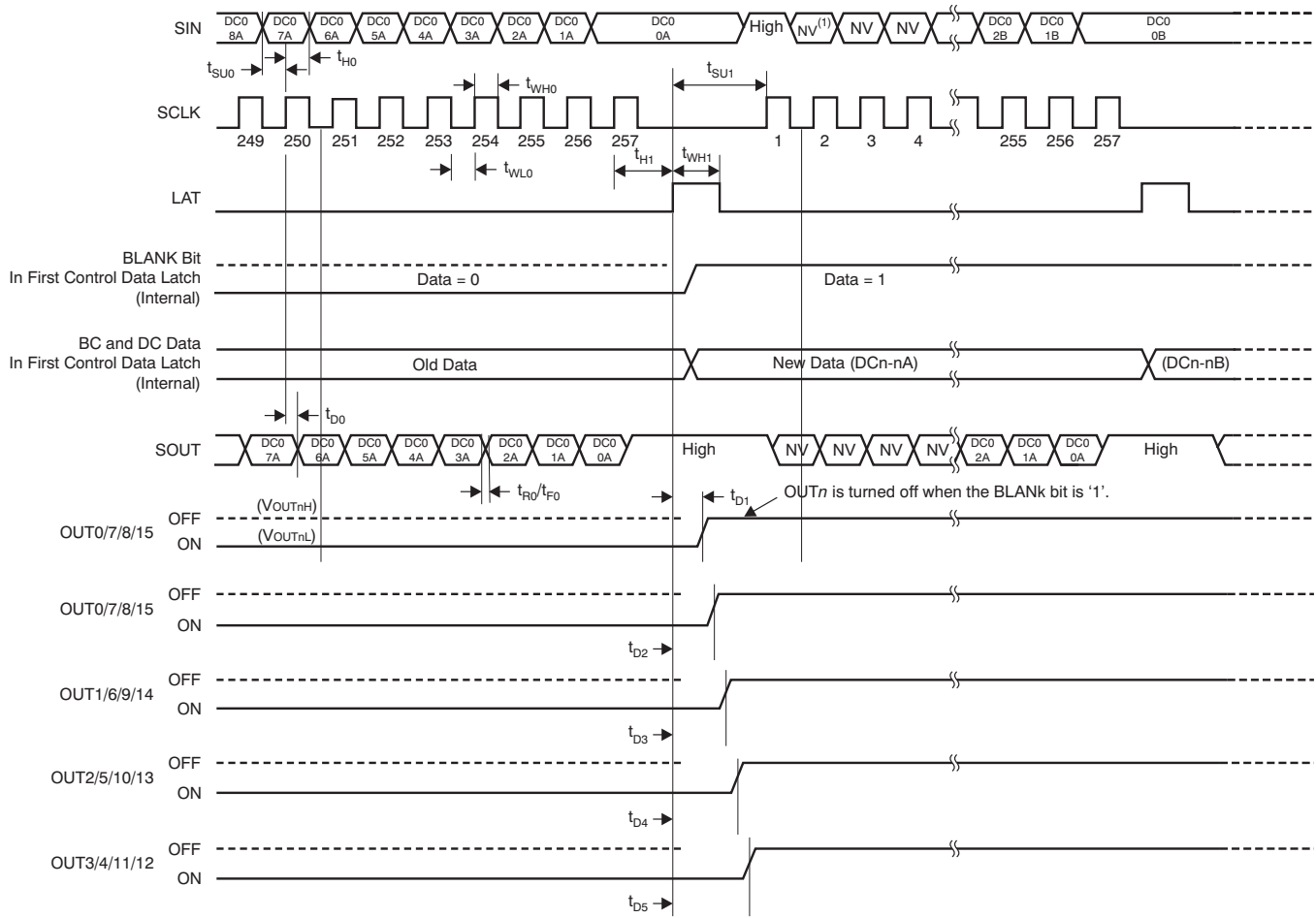


Figure 10. Power-Save Mode Timing

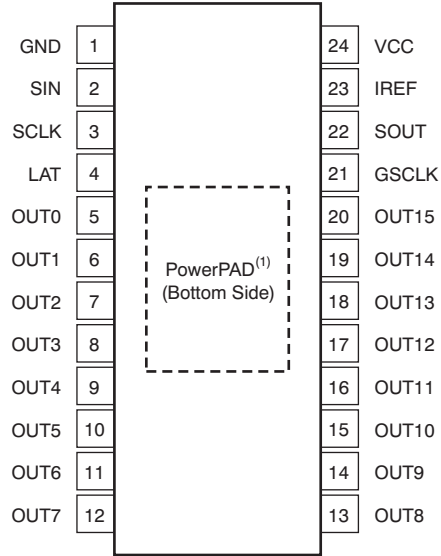


(1) NV = Not valid; these data are not used for any function.

Figure 11. Control Data Write Timing

PIN CONFIGURATION

DBQ, PWP PACKAGES
SSOP/QSOP-24, HTSSOP-24
(TOP VIEW)

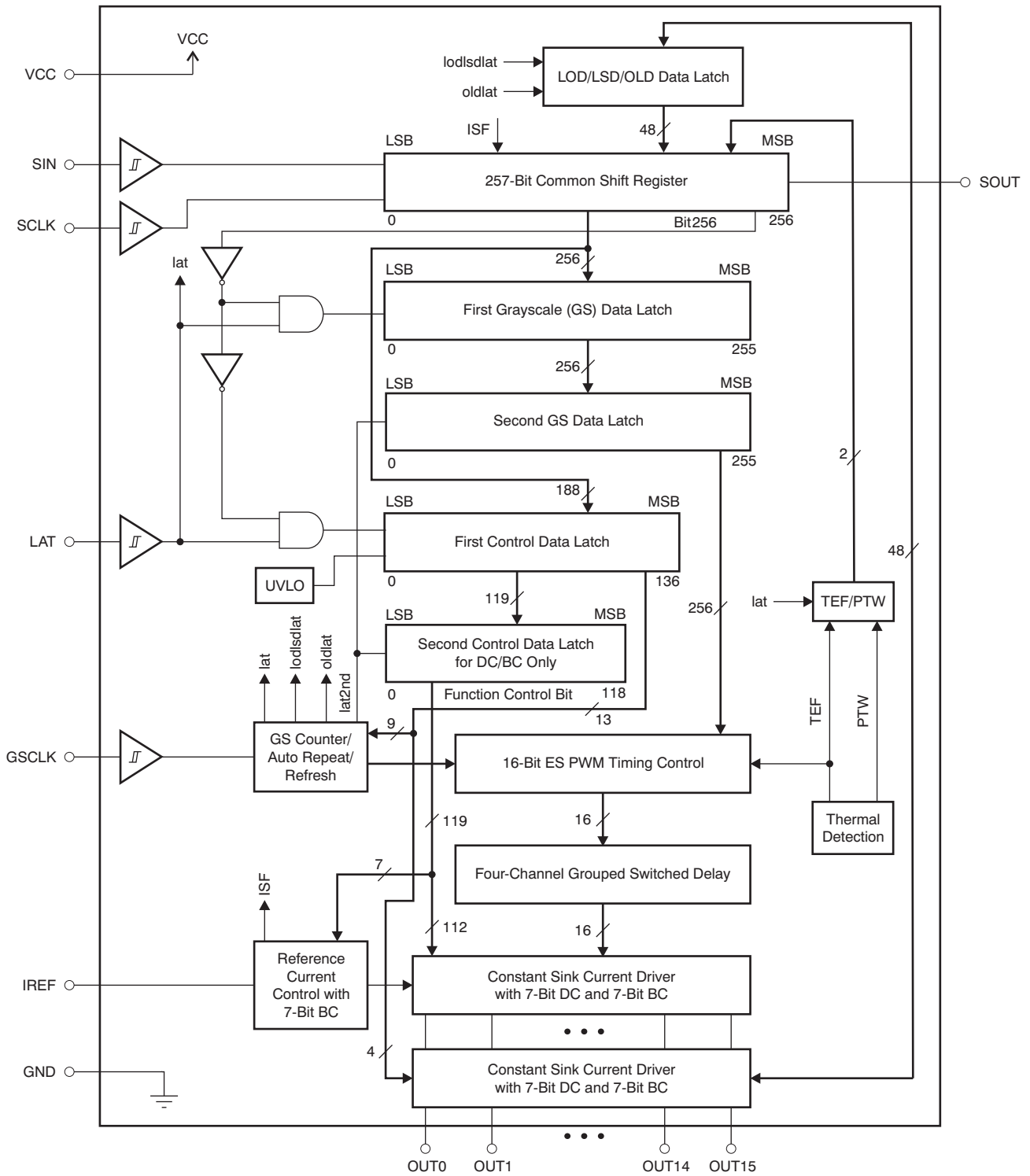


NOTE: PowerPAD is for PWP package only

PIN DESCRIPTIONS

| PIN | | I/O | DESCRIPTION |
|-------|-----|-----|---|
| NAME | NO. | | |
| GND | 1 | — | Power ground |
| GSCLK | 21 | I | Grayscale (GS) pulse width modulation (PWM) reference clock control for OUT _n . When BLANK = 0, each GSCLK rising edge increments the GS counter for PWM control. When BLANK = 0, all constant-current outputs (OUT0 to OUT15) are forced off, the GS counter is reset to '0', and the GS PWM timing controller is initialized. |
| IREF | 23 | I/O | Reference current terminal. A resistor connected between IREF to GND sets the maximum current for all constant-current outputs. When IREF is shorted to GND with low resistance, all constant-current outputs are forced off and the IREF short flag (ISF) bit in the status information data (SID) is set to '1'. |
| LAT | 4 | I | The LAT rising edge either latches the data from the 257-bit common shift register into the first GS data latch when the common shift register MSB is '0' or it latches the data into the first control data latch when the common shift register MSB is '1'. When the display timing reset bit (TMGRST) in the first control data latch is '1', the GS counter is initialized at the LAT signal for GS data writes. At the same time, the data in the 257-bit common shift register are copied to the first and second GS data latches simultaneously and the DC/BC data in the first control data latch are copied to the second data latch. |
| OUT0 | 5 | O | Constant-current outputs. Multiple outputs can be configured in parallel to increase the constant-current capability. Different voltages can be applied to each output. |
| OUT1 | 6 | O | |
| OUT2 | 7 | O | |
| OUT3 | 8 | O | |
| OUT4 | 9 | O | |
| OUT5 | 10 | O | |
| OUT6 | 11 | O | |
| OUT7 | 12 | O | |
| OUT8 | 13 | O | |
| OUT9 | 14 | O | |
| OUT10 | 15 | O | |
| OUT11 | 16 | O | |
| OUT12 | 17 | O | |
| OUT13 | 18 | O | |
| OUT14 | 19 | O | |
| OUT15 | 20 | O | |
| SCLK | 3 | I | Serial data shift clock. Data present on SIN are shifted to the LSB of the 257-bit common shift register with the rising edge of SCLK. Data in the shift register are shifted towards the MSB at each rising edge of SCLK. The MSB of the common shift register appear on SOUT. |
| SIN | 2 | I | Serial data input for the 257-bit common shift register |
| SOUT | 22 | O | Serial data output of the 257-bit common shift register. LED open detection (LOD), LED short detection (LSD), output leak detection (OLD), thermal error flag (TEF), and the IREF pin short flag (ISF) bit can be read out with SOUT as SID after the LAT rising edge. SOUT is connected to the 257-bit common shift register MSB. Data are clocked out at the rising edge of SCLK. |
| VCC | 24 | — | Power-supply voltage |

FUNCTIONAL BLOCK DIAGRAM



TYPICAL CHARACTERISTICS

At $T_A = +25^\circ\text{C}$, unless otherwise noted.

REFERENCE RESISTOR vs OUTPUT CURRENT

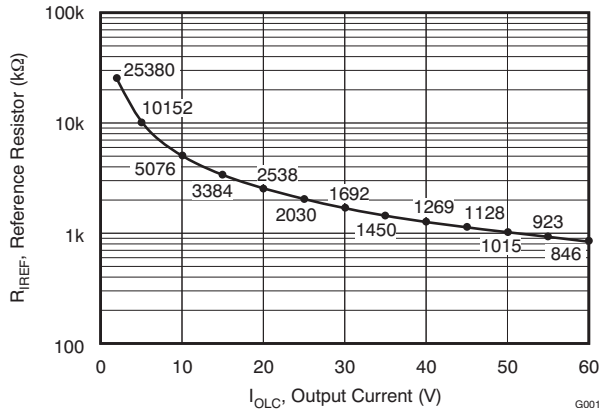


Figure 12.

OUTPUT CURRENT vs OUTPUT VOLTAGE (+3.3 V)

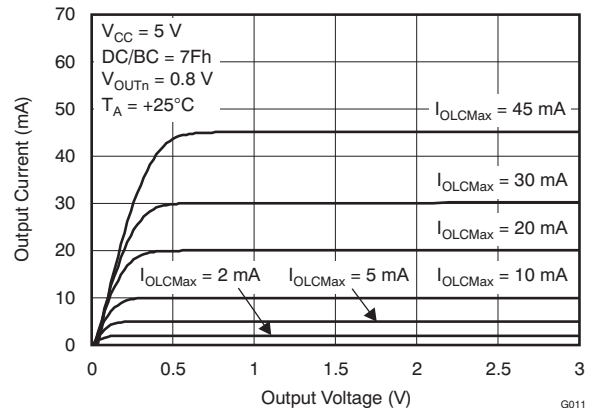


Figure 13.

OUTPUT CURRENT vs OUTPUT VOLTAGE (+5 V)

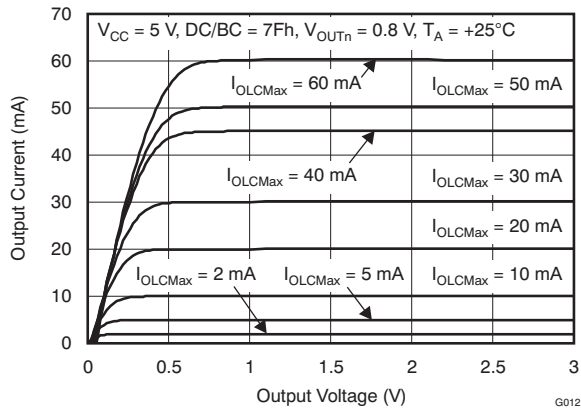


Figure 14.

OUTPUT CURRENT vs OUTPUT VOLTAGE (+3.3 V)

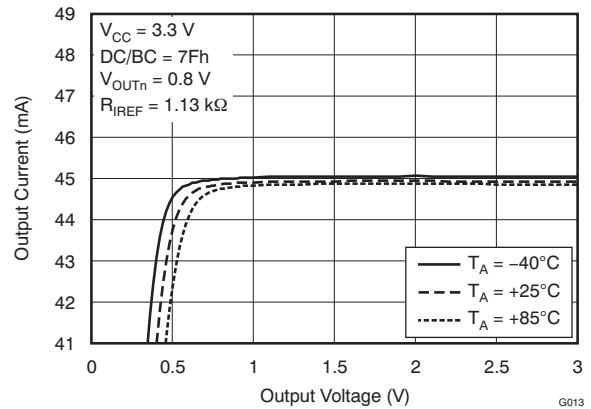


Figure 15.

OUTPUT CURRENT vs OUTPUT VOLTAGE (+5 V)

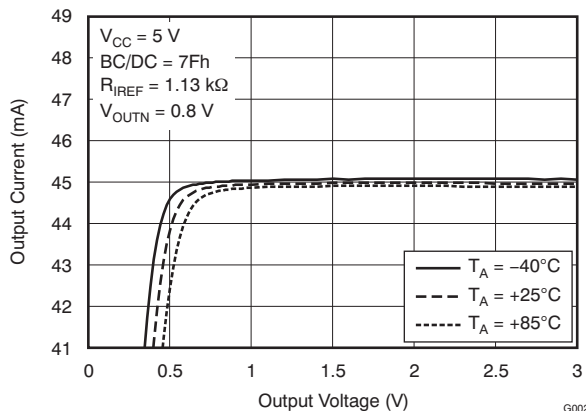


Figure 16.

CONSTANT-CURRENT ERROR vs OUTPUT CURRENT

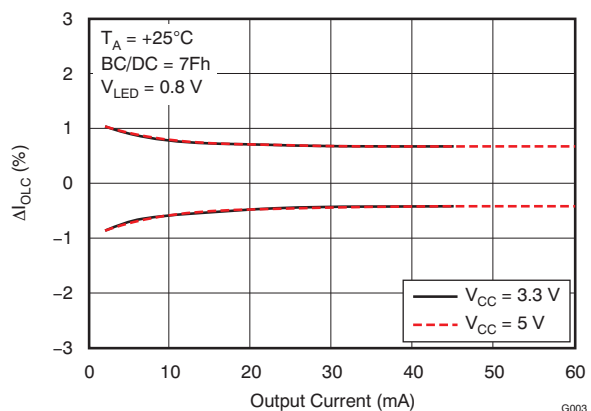


Figure 17.

TYPICAL CHARACTERISTICS (continued)

At $T_A = +25^\circ\text{C}$, unless otherwise noted.

CONSTANT-CURRENT ERROR vs AMBIENT TEMPERATURE

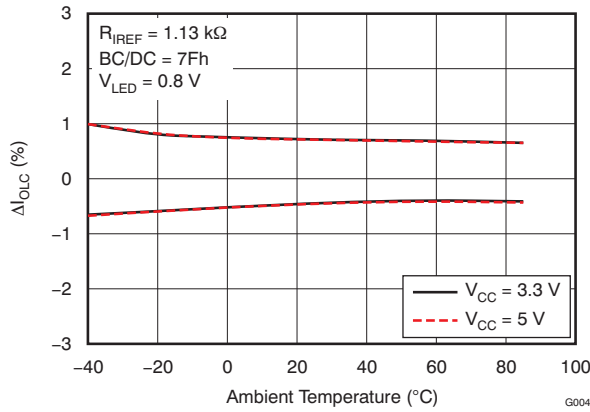


Figure 18.

DOT CORRECTION LINEARITY

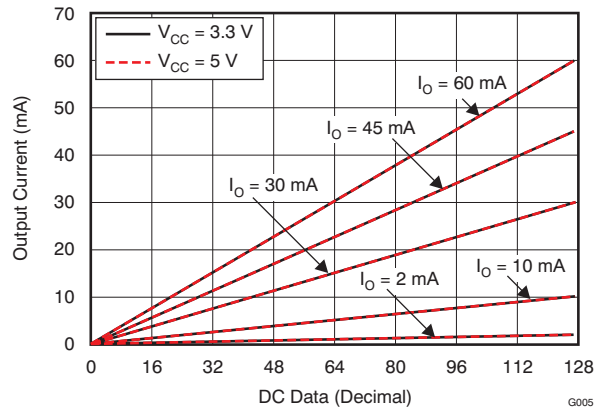


Figure 19.

GLOBAL BRIGHTNESS CONTROL LINEARITY

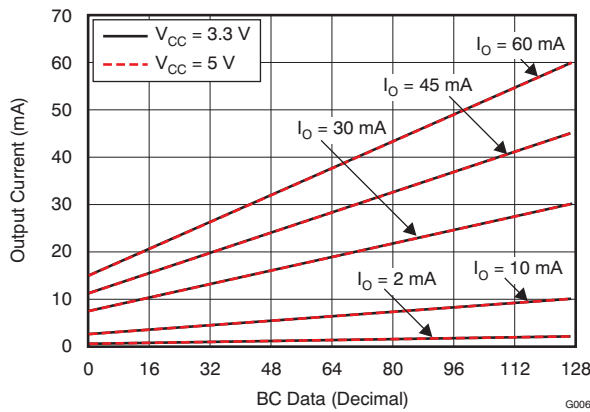


Figure 20.

SUPPLY CURRENT vs OUTPUT CURRENT

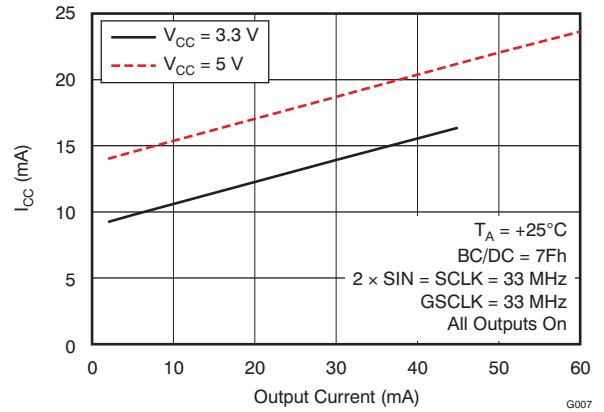


Figure 21.

SUPPLY CURRENT vs AMBIENT TEMPERATURE

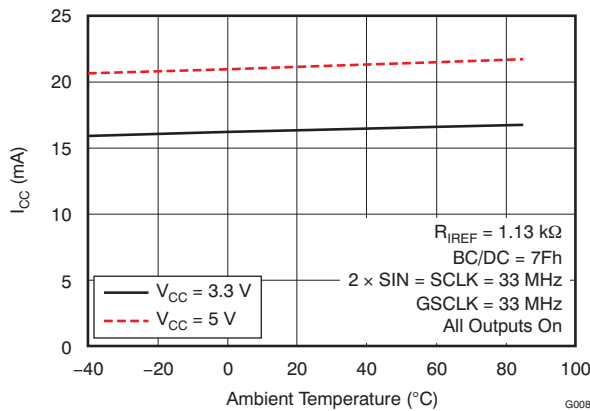


Figure 22.

SUPPLY CURRENT IN POWER-SAVE MODE vs AMBIENT TEMPERATURE

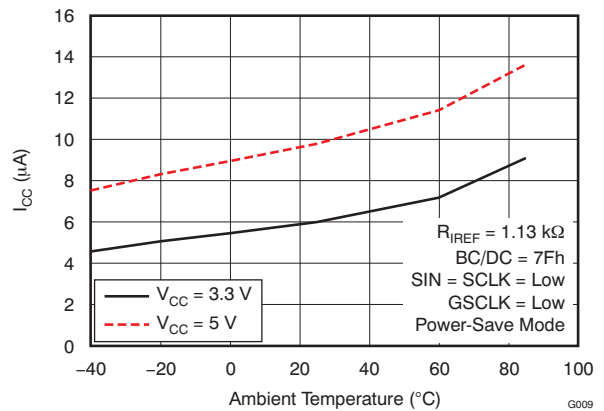
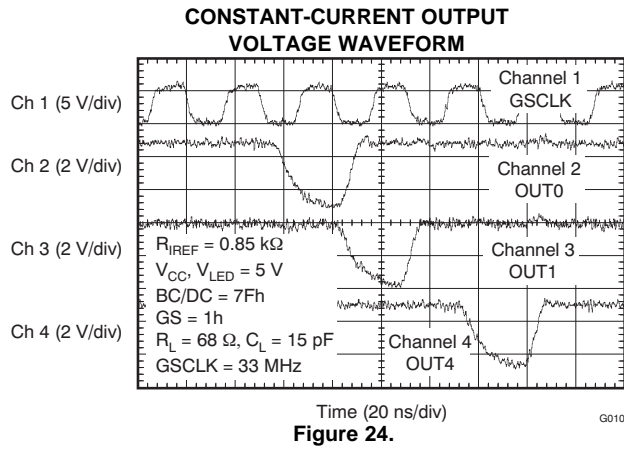


Figure 23.

TYPICAL CHARACTERISTICS (continued)

At $T_A = +25^\circ\text{C}$, unless otherwise noted.



DETAILED DESCRIPTION

MAXIMUM CONSTANT SINK CURRENT VALUE

The maximum output current value of each channel (I_{OLCMax}) is programmed by a single resistor (R_{IREF}) that is placed between the IREF and GND pins. The current value can be calculated by [Equation 1](#):

$$R_{IREF} = \frac{V_{IREF}}{I_{OLCMax}} \times 42.3$$

Where:

V_{IREF} = the internal reference voltage on IREF (typically 1.20 V when the global brightness control data are at maximum)

I_{OLCMax} = 2 mA to 60 mA with DCn/BC = 7Fh (1)

I_{OLCMax} is the highest current for each output. Each output sinks I_{OLCMax} current when it is turned on and the dot correction (DC) data and the global brightness control (BC) data are set to the maximum value of 7Fh (127). Each output sink current can be reduced by lowering the DC and BC value.

R_{IREF} must be between 0.846 k Ω and 25.4 k Ω in order to hold I_{OLCMax} between 60 mA (typ) and 2 mA (typ). Otherwise, the output may be unstable. Output currents lower than 2 mA can be achieved by setting I_{OLCMax} to 2 mA or higher and then using dot correction or global brightness control to lower the output current.

[Table 1](#) shows the characteristics of the constant-current sink versus the external resistor, R_{IREF} .

Table 1. Maximum Constant-Current Output versus External Resistor Value

| I_{OLCMax} (mA) | R_{IREF} (k Ω , typ) |
|-----------------------------|-------------------------------|
| 60 ($V_{CC} > 3.6$ V only) | 0.846 |
| 55 ($V_{CC} > 3.6$ V only) | 0.923 |
| 50 ($V_{CC} > 3.6$ V only) | 1.02 |
| 45 | 1.13 |
| 40 | 1.27 |
| 35 | 1.45 |
| 30 | 1.70 |
| 25 | 2.03 |
| 20 | 2.53 |
| 15 | 3.38 |
| 10 | 5.08 |
| 5 | 10.2 |
| 2 | 25.4 |

DOT CORRECTION (DC) FUNCTION

The TLC5948 can individually adjust the output current of each channel (OUT0 to OUT15) by using dot correction (DC). The DC function allows the brightness deviations of the LEDs connected to each output to be individually adjusted. Each output DC is programmed with a 7-bit word, so the value is adjusted with 128 steps within the range of 0% to 100% of I_{OLCMax} . Equation 2 calculates the actual output current value as a function of R_{IREF} , DC value, and global brightness control (BC) value. DC data are programmed into the TLC5948 via the serial interface. When the device is powered on, the DC data in the first and second control data latches contain random data. Therefore, DC data must be written to the DC data latch before turning the constant-current outputs on. Table 2 summarizes the DC data value versus the set current value.

Table 2. DC Data versus Current Ratio and Set Current Value

| DC DATA | | | BC DATA (Hex) | RATIO OF OUTPUT CURRENT TO I_{OLCMax} (%) | I_{OUT} (mA) ($I_{OLCMax} = 45$ mA, typical) | I_{OUT} (mA) ($I_{OLCMax} = 2$ mA, typical) |
|----------|---------|-----|---------------|--|---|--|
| BINARY | DECIMAL | HEX | | | | |
| 000 0000 | 0 | 00 | 7F | 0 | 0 | 0 |
| 000 0001 | 1 | 01 | 7F | 0.8 | 0.35 | 0.02 |
| 000 0010 | 2 | 02 | 7F | 1.6 | 0.71 | 0.03 |
| — | — | — | — | — | — | — |
| 111 1101 | 125 | 7D | 7F | 98.4 | 44.29 | 1.97 |
| 111 1110 | 126 | 7E | 7F | 99.2 | 44.65 | 1.98 |
| 111 1111 | 127 | 7F | 7F | 100.0 | 45.00 | 2.00 |

GLOBAL BRIGHTNESS CONTROL (BC) FUNCTION

The TLC5948 has the ability to adjust the output current of all constant-current outputs simultaneously. This function is called *global brightness control* (BC). The global BC for all outputs (OUT0 to OUT15) is programmed with a 7-bit word. The global BC adjusts all output currents in 128 steps from 25% to 100%, where 100% corresponds to the maximum output current set by R_{IREF} . Equation 2 calculates the actual output current as a function of R_{IREF} , DC value, and global BC value. BC data can be set via the serial interface. When the device is powered on, the BC data in the first and second control data latches contain random data. Therefore, BC data must be written to the BC data latch before turning the constant-current output on.

The output current value controlled by DC and BC can be calculated by Equation 2.

$$I_{OUTn} = 1/4 \times \left[I_{OLCMax} + \frac{3/4 \times I_{OLCMax} \times BC}{127} \times \frac{DCn}{127} \right]$$

Where:

I_{OLCMax} = the maximum constant-current value for each output determined by R_{IREF}

DCn = the dot correction value for each $OUTn$ in the second control data latch (0h to 7Fh)

BC = the global brightness control value in the second control data latch (0h to 7Fh)

(2)

Table 3 and Table 4 summarize the BC data versus the set current value.

Table 3. BC Data versus Constant-Current Ratio and Set Current Value

| BC DATA | | | DC DATA (Hex) | RATIO OF OUTPUT CURRENT TO I_{OLCMax} (%) | I_{OUT} (mA) (I_{OLCMax} = 45 mA, typ) | I_{OUT} (mA) (I_{OLCMax} = 2 mA, typ) |
|----------|---------|-----|---------------|---|---|--|
| BINARY | DECIMAL | HEX | | | | |
| 000 0000 | 0 | 00 | 7F | 25.0 | 11.25 | 0.50 |
| 000 0001 | 1 | 01 | 7F | 25.6 | 11.52 | 0.51 |
| 000 0010 | 2 | 02 | 7F | 26.2 | 11.78 | 0.52 |
| — | — | — | — | — | — | — |
| 111 1101 | 125 | 7D | 7F | 98.8 | 44.47 | 1.98 |
| 111 1110 | 126 | 7E | 7F | 99.4 | 44.73 | 1.99 |
| 111 1111 | 127 | 7F | 7F | 100.0 | 45.00 | 2.00 |

Table 4. DC and BC Data versus Current Ratio and Set Current Value

| BC DATA (Hex) | DC DATA (Hex) | RATIO OF OUTPUT CURRENT TO I_{OLCMax} (%) | I_{OUT} (mA) (I_{OLCMax} = 45 mA, typical) | I_{OUT} (mA) (I_{OLCMax} = 2 mA, typical) |
|---------------|---------------|---|---|--|
| 00 | 3F | 12.4 | 5.58 | 0.25 |
| 01 | 3F | 12.7 | 5.71 | 0.25 |
| 02 | 3F | 13.0 | 5.84 | 0.26 |
| — | — | — | — | — |
| 7D | 3F | 49.0 | 22.06 | 0.98 |
| 7E | 3F | 49.3 | 22.19 | 0.99 |
| 7F | 3F | 49.6 | 22.32 | 0.99 |

GRAYSCALE (GS) FUNCTION (PWM CONTROL)

The TLC5948 can adjust the brightness of each output channel using a pulse width modulation (PWM) control scheme. The architecture of 16 bits per channel results in 65,536 brightness steps, from 0% up to 100% brightness.

The PWM operation for OUT_n is controlled by a 16-bit grayscale (GS) counter. The GS counter increments on each rising edge of the grayscale reference clock (GSCLK). The GS counter resets to 0000h when the BLANK bit in the first control data latch is set to '1'; the counter value is held at 0000h while the BLANK bit is '1', even if the GS clock input is toggled high and low.

The TLC5948 has two types of PWM control: conventional PWM control and enhanced spectrum (ES) PWM control. The conventional PWM control can be selected when the ESPWM bit in the first control data latch is '0'. The ES PWM control is selected when the ESPWM bit is '1'.

The on-time (t_{OUT_ON}) of each output (OUT_n) can be calculated by Equation 3.

$$t_{OUT_ON} = t_{GSCLK} \times GS_n \quad (3)$$

Table 5 summarizes the GS data values versus the output on-time duty cycle. When the device powers up, the BLANK bit in the first control data latch is set to '1'. The 257-bit common shift register and the first and second GS data latches contain random data. Therefore, GS data must be written to the GS latches before the BLANK bit is set to '0'. All constant-current outputs are off when the BLANK bit is '1'.

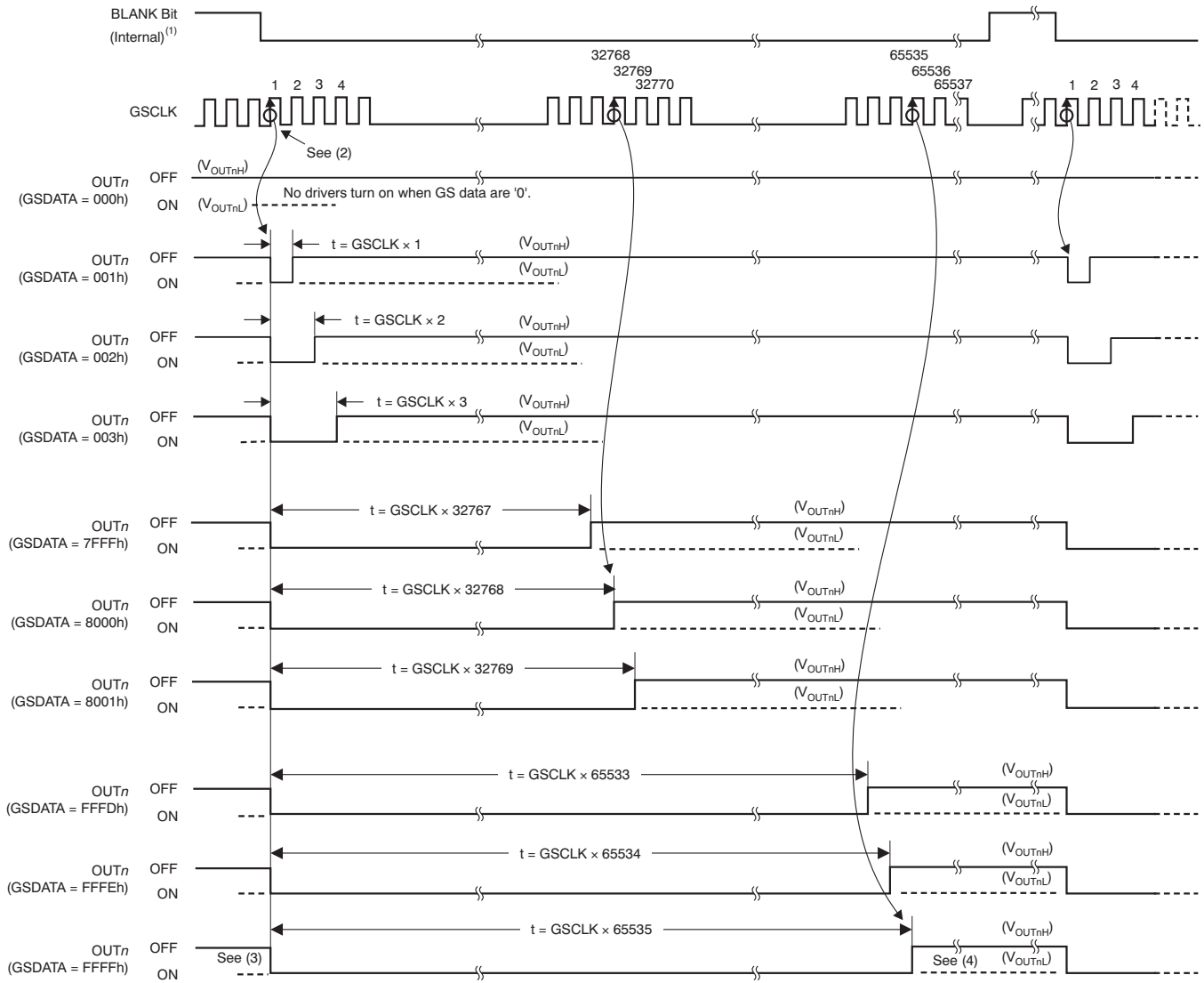
Table 5. Output Duty Cycle and On-Time versus GS Data

| GS DATA | | ON-TIME DUTY (%) | GS DATA | | ON-TIME DUTY (%) |
|---------|------|------------------|---------|------|------------------|
| DECIMAL | HEX | | DECIMAL | HEX | |
| 0 | 0 | 0 | 32768 | 8000 | 50.001 |
| 1 | 1 | 0.002 | 32769 | 8001 | 50.002 |
| 2 | 2 | 0.003 | 32770 | 8002 | 50.004 |
| 3 | 3 | 0.005 | 32771 | 8003 | 50.005 |
| — | — | — | — | — | — |
| 8191 | 1FFF | 12.499 | 40959 | 9FFF | 62.499 |
| 8192 | 2000 | 12.500 | 40960 | A000 | 62.501 |
| 8193 | 2001 | 12.502 | 40961 | A001 | 62.502 |
| — | — | — | — | — | — |
| 16381 | 3FFD | 24.996 | 49149 | BFFD | 74.997 |
| 16382 | 3FFE | 24.997 | 49150 | BFFE | 74.998 |
| 16383 | 3FFF | 24.999 | 49151 | BFFF | 75.000 |
| 16384 | 4000 | 25.000 | 49152 | C000 | 75.001 |
| 16385 | 4001 | 25.002 | 49153 | C001 | 75.003 |
| 16386 | 4002 | 25.003 | 49154 | C002 | 75.004 |
| 16387 | 4003 | 25.005 | 49155 | C003 | 75.006 |
| — | — | — | — | — | — |
| 24575 | 5FFF | 37.499 | 57343 | DFFF | 87.500 |
| 24576 | 6000 | 37.501 | 57344 | E000 | 87.501 |
| 24577 | 6001 | 37.502 | 57345 | E001 | 87.503 |
| — | — | — | — | — | — |
| 32765 | 7FFD | 49.996 | 65533 | FFFD | 99.997 |
| 32766 | 7FFE | 49.998 | 65534 | FFFE | 99.998 |
| 32767 | 7FFF | 49.999 | 65535 | FFFF | 100.000 |

Conventional PWM Control

In this PWM control, the GS clock is enabled when the BLANK bit is set to '0'. The first rising edge of a GS clock after the BLANK bit is set to '0' increments the GS counter by one and switches on all outputs with a non-zero GS value programmed into the second GS data latch. Each additional rising edge on a GS clock increases the corresponding GS counter by one.

The GS counter keeps track of the number of clock pulses from the GS clock inputs. Each output stays on while the counter is less than or equal to the programmed GS value. Each output turns off at the rising edge of the GS counter value when the counter becomes greater than the output grayscale latch value. [Figure 25](#) shows the conventional PWM operation.



- (1) The internal signal is generated when LAT inputs GS data with the display timing reset bit (TMGRST) set to '1'. This signal has the same function as a BLANK = 1 pulse. Furthermore, the signal is generated at the 65,536th GSCLK when the auto display repeat bit (DSPRPT) is set to '1'.
- (2) The GS counter begins to count GSCLK pulses after the BLANK bit is set to '0' or when the LAT signal for the GS data write is input with the display time reset mode enabled.
- (3) OUT_n turns on at the first GSCLK rising edge except when GS data are '0' after the BLANK bit is set to '0' or when the LAT signal for the GS data write is input with the display time reset mode enabled.
- (4) OUT_n does not turn on again until BLANK is set to '1' once, except when the TMGRST or DSPRPT bits are '1'.

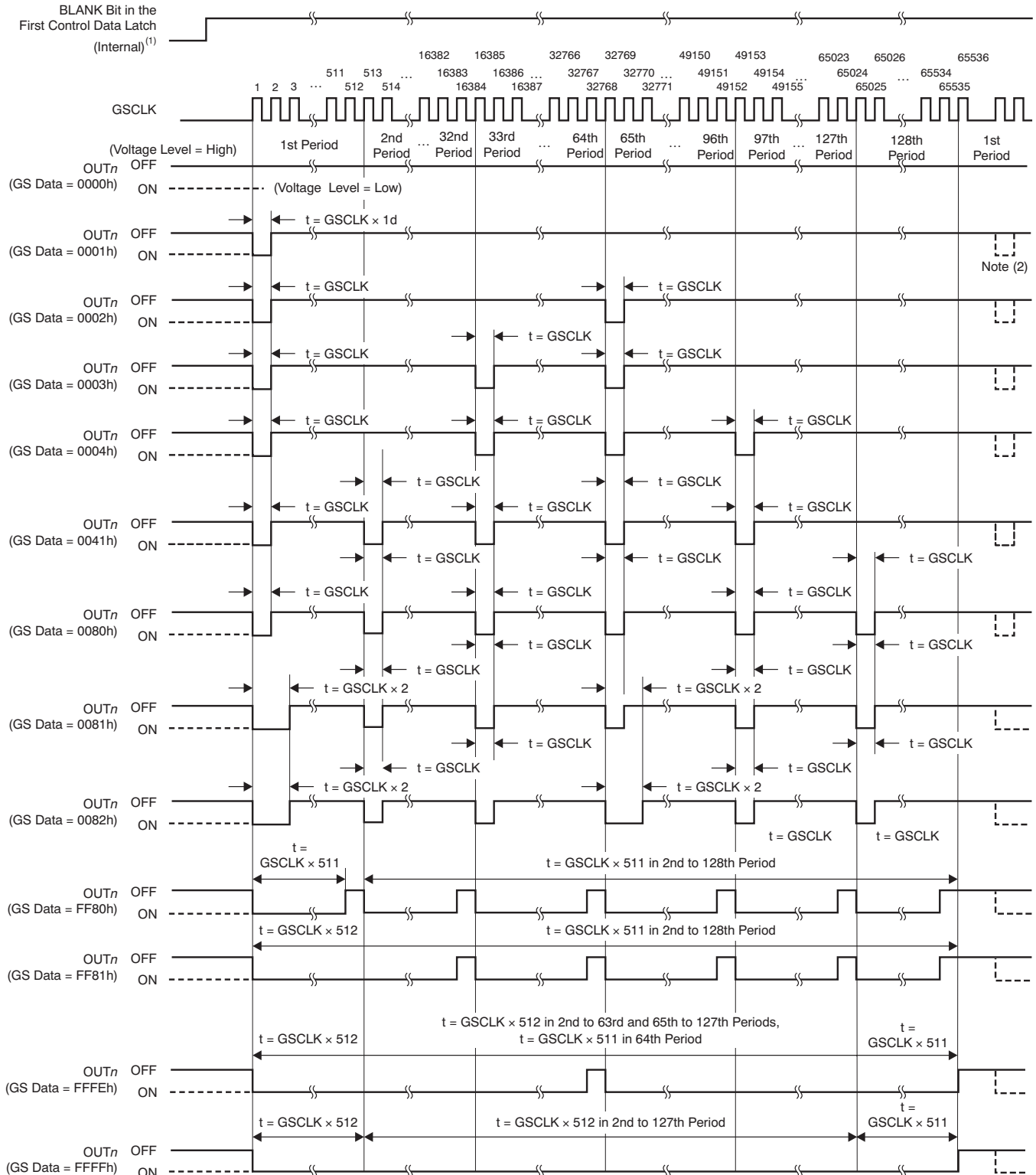
Figure 25. Conventional PWM Operation

Enhanced Spectrum (ES) PWM Control

In this PWM control, the total display period is divided into 128 display segments. The total display period is the time from the first grayscale clock (GSCLK) to the 65,536th grayscale clock input after the BLANK bit is set to '0'. Each display segment has a maximum of 512 grayscale clocks. The OUT_n on-time changes, depending on the 16-bit grayscale data. Refer to [Table 6](#) for the sequence of information and to [Figure 26](#) for the timing information.

Table 6. ES PWM Drive Turn On-Time Length

| GS DATA | | OUT _n DRIVER OPERATION |
|---------|-------|---|
| DECIMAL | HEX | |
| 0 | 0000h | Does not turn on |
| 1 | 0001h | Turns on for one GSCLK period in the first display segment |
| 2 | 0002h | Turns on for one GSCLK period in the first and 65th display segments |
| 3 | 0003h | Turns on for one GSCLK period in the first, 65th, and 33th display segments |
| 4 | 0004h | Turns on for one GSCLK period in the first, 65th, 33th, and 97th display segments |
| 5 | 0005h | Turns on for one GSCLK period in the first, 65th, 33th, 97th, and 17th display segments |
| 6 | 0006h | Turns on for one GSCLK period in the first, 65th, 33th, 97th, 17th, and 81th display segments |
| — | — | The number of display segments where OUT _n is turned on for one GSCLK is incremented by increasing the GS data in the following order: 1 > 65 > 33 > 97 > 17 > 81 > 49 > 113 > 9 > 73 > 41 > 105 > 25 > 89 > 57 > 121 > 5 > 69 > 37 > 101 > 21 > 85 > 53 > 117 > 13 > 77 > 45 > 109 > 29 > 93 > 61 > 125 > 3 > 67 > 35 > 99 > 19 > 83 > 51 > 115 > 11 > 75 > 43 > 107 > 27 > 91 > 59 > 123 > 7 > 71 > 39 > 103 > 23 > 87 > 55 > 119 > 15 > 79 > 47 > 111 > 31 > 95 > 63 > 127 > 2 > 66 > 34 > 98 > 18 > 82 > 50 > 114 > 10 > 74 > 42 > 106 > 26 > 90 > 58 > 122 > 6 > 70 > 38 > 102 > 22 > 86 > 54 > 118 > 14 > 78 > 46 > 110 > 30 > 94 > 62 > 126 > 4 > 68 > 36 > 100 > 20 > 84 > 52 > 116 > 12 > 76 > 44 > 108 > 28 > 92 > 60 > 124 > 8 > 72 > 40 > 104 > 24 > 88 > 56 > 120 > 16 > 80 > 48 > 112 > 32 > 96 > 64 > 128. |
| 127 | 007Fh | Turns on for one GSCLK period in the first to 127th display segments, but does not turn on in the 128th display segment |
| 128 | 0080h | Turns on for one GSCLK period in all display segments (first to 128th) |
| 129 | 0081h | Turns on for two GSCLK periods in the first display period and for one GSCLK period in all other display periods |
| — | — | The number of display segments where OUT _n is turned on for one GSCLK is incremented by increasing the GS data in the following order: 1 > 65 > 33 > 97 > 17 > 81 > 49 > 113 > 9 > 73 > 41 > 105 > 25 > 89 > 57 > 121 > 5 > 69 > 37 > 101 > 21 > 85 > 53 > 117 > 13 > 77 > 45 > 109 > 29 > 93 > 61 > 125 > 3 > 67 > 35 > 99 > 19 > 83 > 51 > 115 > 11 > 75 > 43 > 107 > 27 > 91 > 59 > 123 > 7 > 71 > 39 > 103 > 23 > 87 > 55 > 119 > 15 > 79 > 47 > 111 > 31 > 95 > 63 > 127 > 2 > 66 > 34 > 98 > 18 > 82 > 50 > 114 > 10 > 74 > 42 > 106 > 26 > 90 > 58 > 122 > 6 > 70 > 38 > 102 > 22 > 86 > 54 > 118 > 14 > 78 > 46 > 110 > 30 > 94 > 62 > 126 > 4 > 68 > 36 > 100 > 20 > 84 > 52 > 116 > 12 > 76 > 44 > 108 > 28 > 92 > 60 > 124 > 8 > 72 > 40 > 104 > 24 > 88 > 56 > 120 > 16 > 80 > 48 > 112 > 32 > 96 > 64 > 128. |
| 255 | 00FFh | Turns on for two GSCLK periods in the first to 127th display segments and turns on one GSCLK period in the 128th display segment |
| 256 | 0100h | Turns on for two GSCLK periods in all display segments (first to 128th) |
| 257 | 0101h | Turns on for three GSCLK periods in the first display segments and for two GSCLK periods in all other display segments |
| — | — | The number of display segments where OUT _n is turned on for one GSCLK is incremented by increasing the GS data in the following order: 1 > 65 > 33 > 97 > 17 > 81 > 49 > 113 > 9 > 73 > 41 > 105 > 25 > 89 > 57 > 121 > 5 > 69 > 37 > 101 > 21 > 85 > 53 > 117 > 13 > 77 > 45 > 109 > 29 > 93 > 61 > 125 > 3 > 67 > 35 > 99 > 19 > 83 > 51 > 115 > 11 > 75 > 43 > 107 > 27 > 91 > 59 > 123 > 7 > 71 > 39 > 103 > 23 > 87 > 55 > 119 > 15 > 79 > 47 > 111 > 31 > 95 > 63 > 127 > 2 > 66 > 34 > 98 > 18 > 82 > 50 > 114 > 10 > 74 > 42 > 106 > 26 > 90 > 58 > 122 > 6 > 70 > 38 > 102 > 22 > 86 > 54 > 118 > 14 > 78 > 46 > 110 > 30 > 94 > 62 > 126 > 4 > 68 > 36 > 100 > 20 > 84 > 52 > 116 > 12 > 76 > 44 > 108 > 28 > 92 > 60 > 124 > 8 > 72 > 40 > 104 > 24 > 88 > 56 > 120 > 16 > 80 > 48 > 112 > 32 > 96 > 64 > 128. |
| 65479 | FEFFh | Turns on for 511 GSCLK periods in the first to 127th display segments, but only turns on 510 GSCLK periods in the 128th display segment |
| 65480 | FF00h | Turns on for 511 GSCLK periods in all display segments (first to 128th) |
| 65481 | FF01h | Turns on for 512 GSCLK periods in the first display period and for 511 GSCLK periods in the second to 128th display segments |
| — | — | — |
| 65534 | FFFEh | Turns on for 512 GSCLK periods in the first to 63th and 65th to 127th display segments; also turns on 511 GSCLK periods in 64th and 128th display segments |
| 65535 | FFFFh | Turns on for 512 GSCLK periods in the first to 127th display segments but only turns on 511 GSCLK periods in the 128th display segment |



(1) The internal signal is generated when LAT inputs GS data when the display timing reset bit (TMGRST) is set to '1'. This signal has the same function as BLANK = 1. Furthermore, the signal is generated at the 65,536th GSKLK when the auto display repeat bit (DSPRPT) is set to '1'.

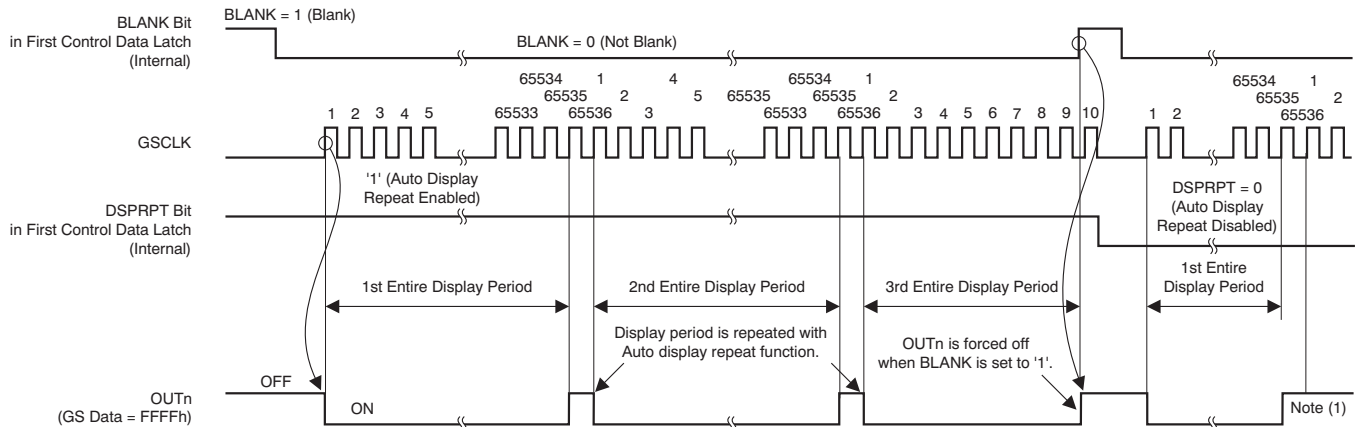
(2) When auto display repeat is on.

Figure 26. ES PWM Operation

Auto Display Repeat Function

This function can repeat the total display period as long as GSCLK is present, as shown in Figure 27. This function is switched on or off by the content of the DSPRPT bit in the first control data latch.

When the DSPRPT bit is '1', auto display repeat is enabled and the entire display period repeats automatically. When the DSPRPT bit is '0', auto display repeat is disabled and the entire display period executes only once after the BLANK bit is set to '0' or a rising signal for a GS data write occurs at LAT when the display timing reset is enabled.



(1) OUT_n is not turned on until BLANK changes from '1' to '0' or until LAT changes from low to high for a GS data write with TMGRST = 1.

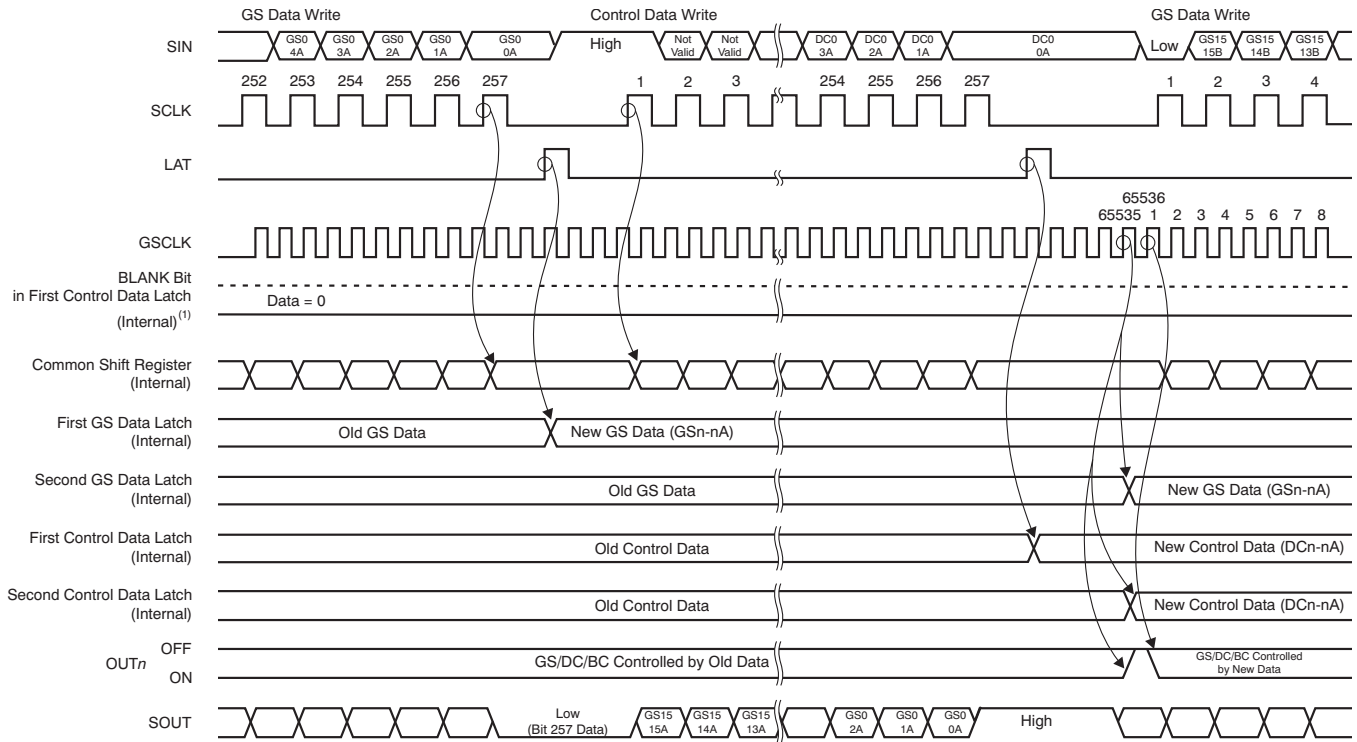
Figure 27. Auto Display Repeat Function

Auto Data Refresh Function

This function allows users to input grayscale (GS) data, dot correction (DC) data, and global brightness control (BC) data at any time without synchronizing the input to the display timing. If GS, DC, and BC data are sent during a display period, the input data are held in the first latch for each data register. The data are then transferred to the second latch when the 65,536th GSCLK occurs. The second latch data are used for the next display period. Figure 28 and Figure 29 show the timing of the auto data refresh function. However, when the BLANK bit in the first control data latch is set to '1' before the 65,536th GSCLK occurs, the first latch data uploads to the second latch immediately. Also, when a rising edge occurs at LAT while the BLANK bit is '1', the selected shift register data are transferred to the first and second latch at the same time. The data of bits 119-136 (BLANK, DSPRPT, TMGRST, ESPWM, LODVLT, LSDVLT, LATTMG, IDMENA, IDMRPT, IDMCUR, OLDEN, and PSMODE) in the control data latch update immediately whenever the data are written into the first latch.

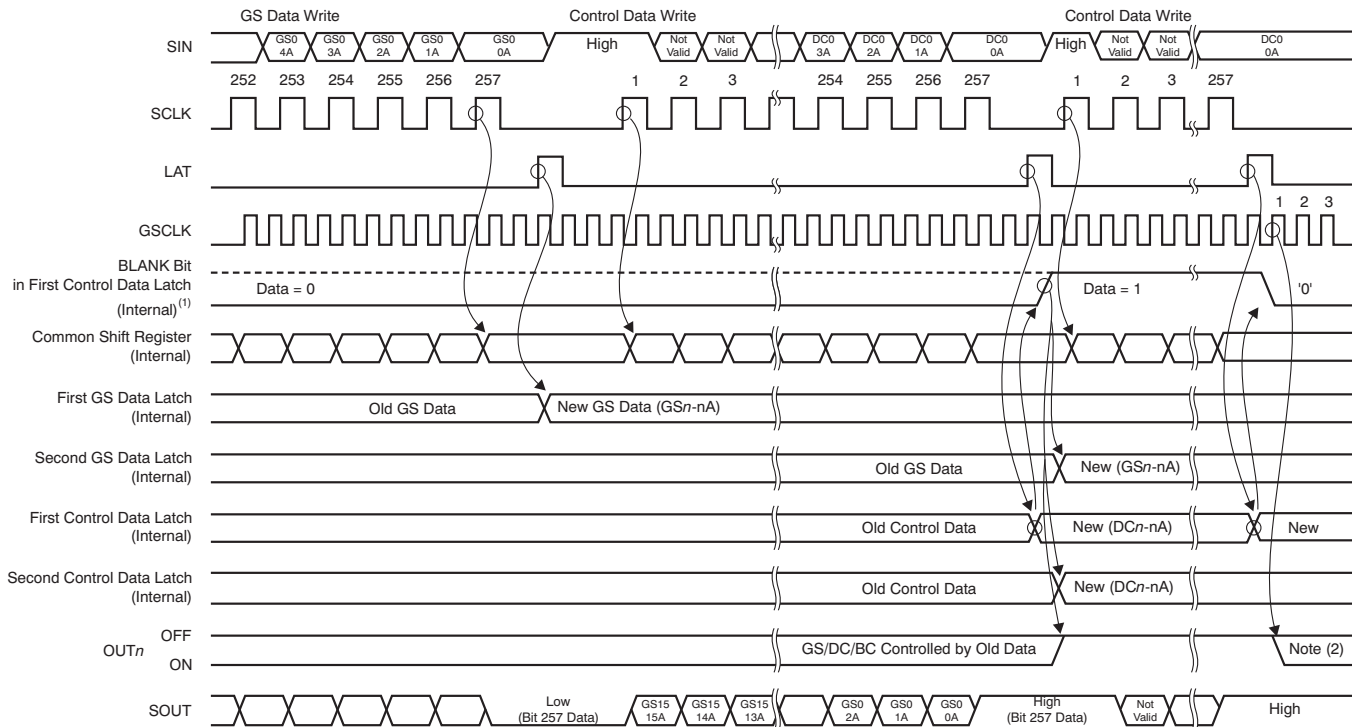
Display Timing Reset Function

The display timing reset function allows initializing the display timing using a rising signal for a GS data write at the LAT pin. This function can be switched on or off with the TMGRST bit in the first control data latch. When the TMGRST bit is '1', the GS counter is reset to '0' and all outputs are forced off at the LAT rising edge for a GS data write. Furthermore, the data in the 257-bit common shift register are copied to the first and second GS data latches at the same time. In addition, the DC/BC data in the first control data latch are transferred to the second data latch simultaneously. This configuration is identical to when the BLANK bit data changes from '0' to '1' and '1' to '0'. Therefore, the BLANK bit is not needed to control the display reset. PWM control resumes from the next GSCLK rising edge. When the TMGRST bit is '0', the GS counter is not reset and the outputs are not forced off even if a rising edge occurs at LAT.



(1) BLANK data does not change with Auto Display Repeat enabled.

Figure 28. Auto Data Refresh Function 1



(1) The value of the BLANK bit is changed after the rising edge at LAT pin.

(2) GS/DC/BC are controlled by new data.

Figure 29. Auto Data Refresh Function 2

REGISTER AND DATA LATCH CONFIGURATION

The TLC5948 has one common shift register and two pairs of data latches: the first and second grayscale (GS) data latches and the first and second control data latches. The common shift register is 257 bits long and the GS data latches are 256 bits long. The first control data latch is 137 bits long and the second latch is 119 bits long. When the MSB of the common shift register is '0', the least significant 256 bits from the common shift register are latched into the first GS data latch. When the MSB is '1', the data are latched into the first control data latch. Figure 30 shows the configuration of the common shift register and the latch configurations.

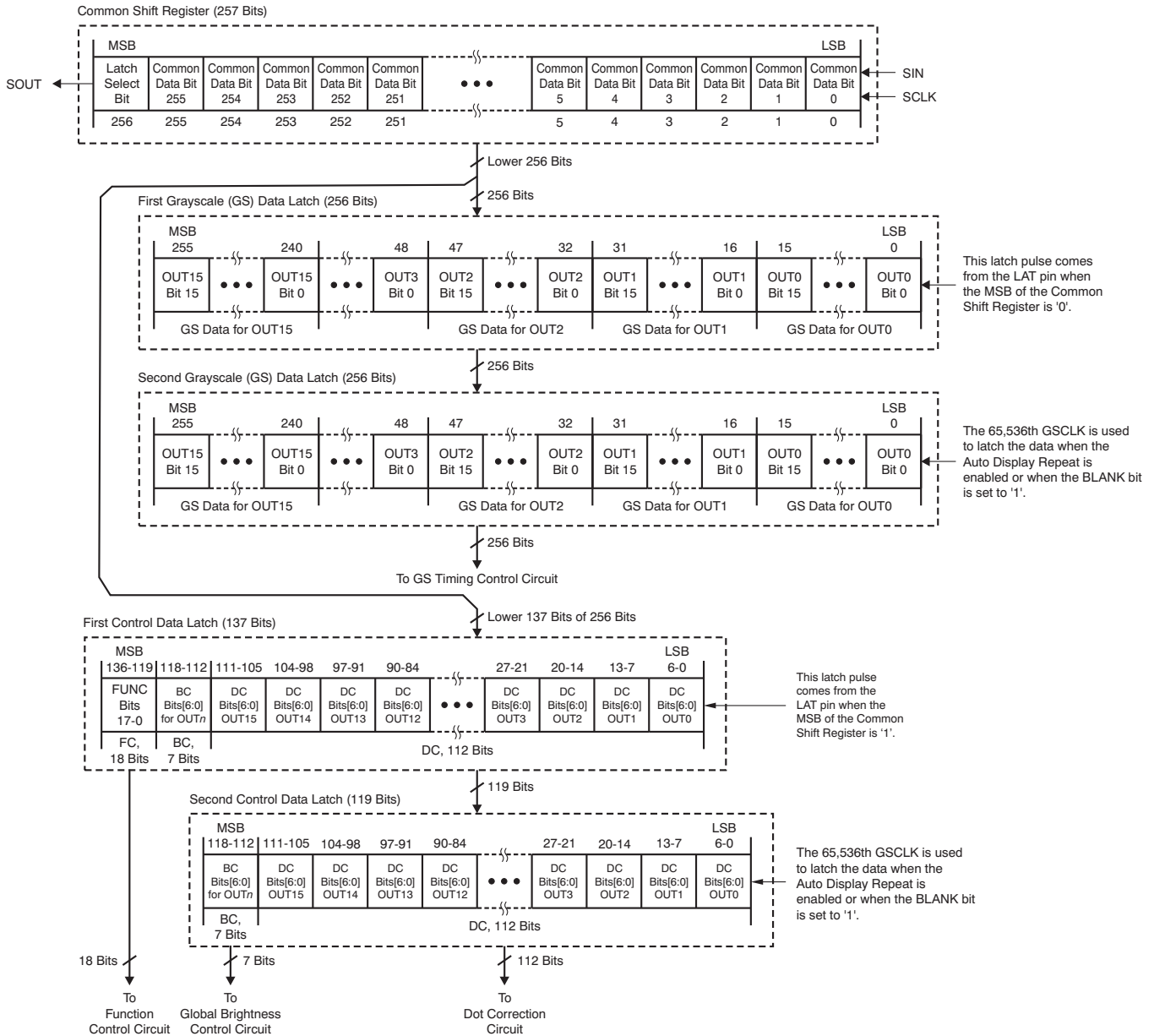


Figure 30. Common Shift Register and Control Data Latches Configuration

257-Bit Common Shift Register

The 257-bit common shift register is used to shift data from the SIN pin into the TLC5948. The data shifted into the register are used for GS, DC, and global BC functions. The LSB of the common shift register is connected to SIN and the MSB is connected to SOUT. On each rising edge of SCLK, the data on SIN are shifted into the LSB and all 257 bits are shifted towards the MSB. The register MSB is always connected to SOUT. When the device is powered up, the data in the 257-bit common shift register are random.

First and Second Grayscale Data Latch

The first and second grayscale (GS) data latches are each 256 bits long, and set the PWM timing for each constant-current output. The on-time of all constant-current outputs is controlled by the data in the second GS data latch. A LAT rising edge when the common shift register MSB is '0' shifts the least significant 256 bits of the common shift register into the first grayscale latch. The GS data from the first latch are copied into the second latch either when the 65,536th GSCLK occurs with the auto display repeat mode enabled, or a rising edge for a GS data write occurs at LAT with the display timing reset mode enabled, or the BLANK bit in the first control data latch are set to '1'.

When the device is powered up, the data in the first and second latches are random. Therefore, GS data must be written to the GS data latches before turning on the constant-current output. The first and second GS data latch configuration are shown in Figure 31. The data bit assignment is shown in Table 7.

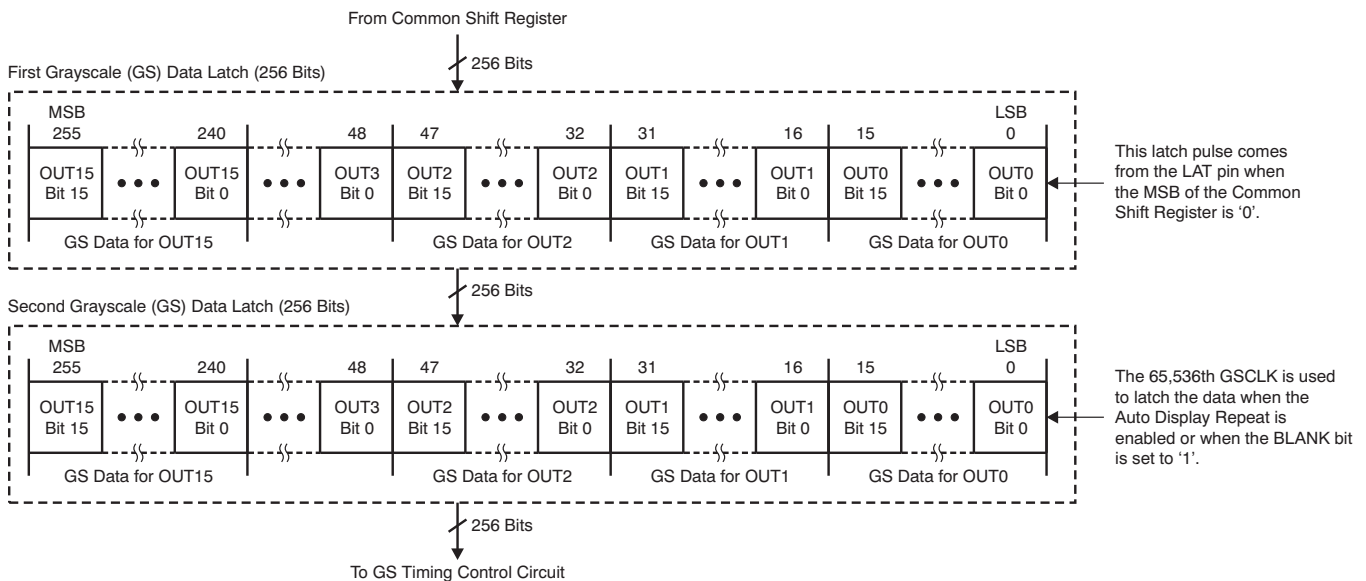


Figure 31. First and Second Grayscale Data Latch Configuration

Table 7. Grayscale Data Latch Bit Description

| BIT NUMBER | BIT NAME | CONTROLLED CHANNEL | BIT NUMBER | BIT NAME | CONTROLLED CHANNEL |
|------------|----------|---------------------|------------|----------|----------------------|
| 15-0 | GSOUT0 | Bits[15:0] for OUT0 | 143-128 | GSOUT8 | Bits[15:0] for OUT8 |
| 31-16 | GSOUT1 | Bits[15:0] for OUT1 | 159-144 | GSOUT9 | Bits[15:0] for OUT9 |
| 47-32 | GSOUT2 | Bits[15:0] for OUT2 | 175-160 | GSOUT10 | Bits[15:0] for OUT10 |
| 63-48 | GSOUT3 | Bits[15:0] for OUT3 | 191-176 | GSOUT11 | Bits[15:0] for OUT11 |
| 79-64 | GSOUT4 | Bits[15:0] for OUT4 | 207-192 | GSOUT12 | Bits[15:0] for OUT12 |
| 95-80 | GSOUT5 | Bits[15:0] for OUT5 | 223-208 | GSOUT13 | Bits[15:0] for OUT13 |
| 111-96 | GSOUT6 | Bits[15:0] for OUT6 | 239-224 | GSOUT14 | Bits[15:0] for OUT14 |
| 127-112 | GSOUT7 | Bits[15:0] for OUT7 | 255-240 | GSOUT15 | Bits[15:0] for OUT15 |

First and Second Control Data Latch

The first and second control data latches are 137 bits and 119 bits long, respectively. The first latch contains dot correction (DC) data, global brightness control (BC) data, and function control (FC) data; the second latch contains dot correction (DC) data and global brightness control (BC) data. The DC for each constant-current output and the BC for all constant-current outputs are controlled by the second control data latch. The control data into the first latch are set by the least significant 137 bits from the common shift register at the rising edge of LAT when the common shift register MSB is '1'. The 119 bits of DC and BC data from the first control data latch are copied to the second latch when the 65,536th GSCLK occurs or when the BLANK bit in the first control data latch are set to '1'.

When the device is powered up, the data in the first latch (except the BLANK and PSMODE bits of the FC bits) and second latch are random. Therefore, DC, BC and FC data must be written to the first and second control data latches before turning on the constant-current outputs. The default value of the BLANK bit is '1'. The first and second control data latch configurations are shown in [Figure 32](#).

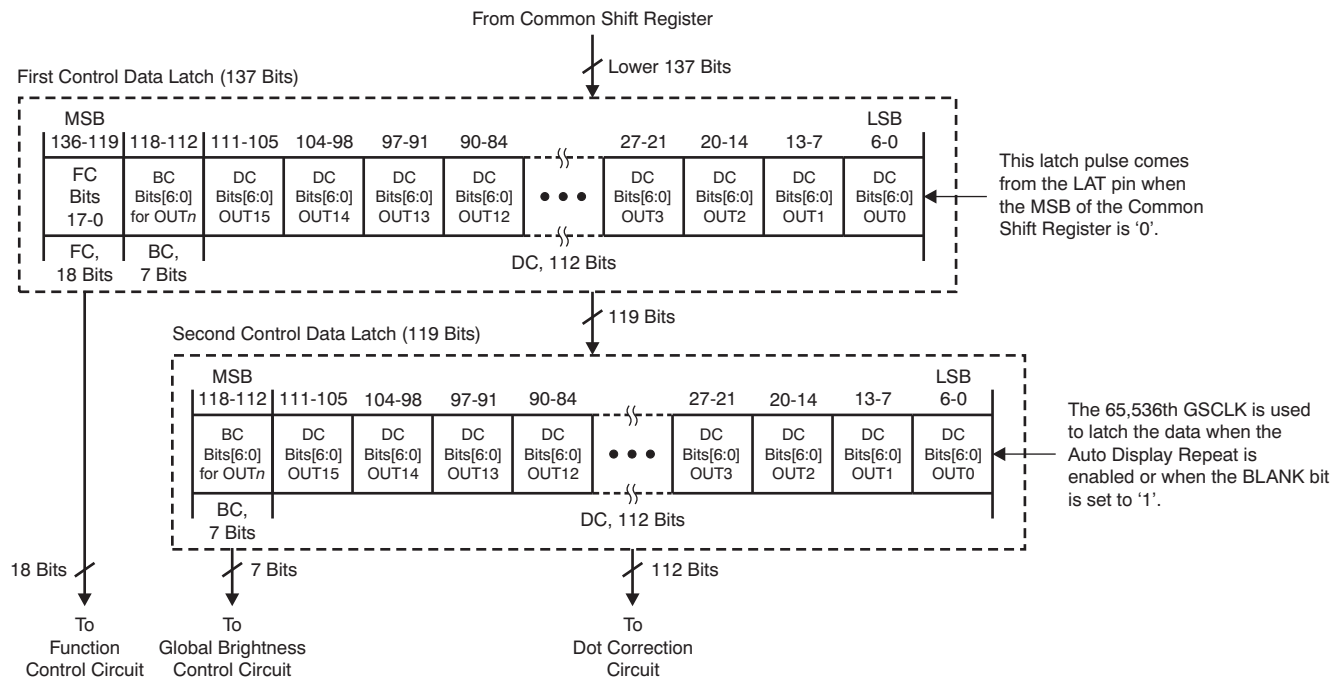


Figure 32. First and Second Control Data (DC/BC/FC) Latch Configuration

Dot Correction Data

The dot correction (DC) data is 112 bits long; the data for each constant-current output is controlled by seven bits. DC for each constant-current output is controlled by the second control data latch. Each DC value individually adjusts the output current for each constant-current output. As explained in the [Dot Correction \(DC\) Function](#) section, the DC values are used to adjust the output current from 0% to 100% of the maximum value.

The data bit assignment for dot correction in the first and second latches are shown in [Table 8](#). Refer to [Table 2](#) for a summary of the DC data value versus set current value.

Table 8. Dot Correction Data Bit Description

| BIT NUMBER | BIT NAME | CONTROLLED CHANNEL | BIT NUMBER | BIT NAME | CONTROLLED CHANNEL |
|------------|----------|-----------------------|------------|----------|------------------------|
| 6-0 | DCOUT0 | DC bits[6:0] for OUT0 | 62-56 | DCOUT8 | DC bits[6:0] for OUT8 |
| 13-7 | DCOUT1 | DC bits[6:0] for OUT1 | 69-63 | DCOUT9 | DC bits[6:0] for OUT9 |
| 20-14 | DCOUT2 | DC bits[6:0] for OUT2 | 76-70 | DCOUT10 | DC bits[6:0] for OUT10 |
| 27-21 | DCOUT3 | DC bits[6:0] for OUT3 | 83-77 | DCOUT11 | DC bits[6:0] for OUT11 |
| 34-28 | DCOUT4 | DC bits[6:0] for OUT4 | 90-84 | DCOUT12 | DC bits[6:0] for OUT12 |
| 41-35 | DCOUT5 | DC bits[6:0] for OUT5 | 97-91 | DCOUT13 | DC bits[6:0] for OUT13 |
| 48-42 | DCOUT6 | DC bits[6:0] for OUT6 | 104-98 | DCOUT14 | DC bits[6:0] for OUT14 |
| 55-49 | DCOUT7 | DC bits[6:0] for OUT7 | 111-105 | DCOUT15 | DC bits[6:0] for OUT15 |

Global Brightness Control (BC) Data

The global brightness control (BC) data are seven bits long. The global brightness for all outputs is controlled by the second control data latch. The data are used to adjust the constant-current values for the 16 constant-current outputs. As explained in the [Global Brightness Control \(BC\) Function](#) section, the BC values are used to adjust the output current from 25% to 100% of the maximum value. The data bit assignment for the global BC in the first and second latches is shown in [Table 9](#). [Table 3](#) summarizes the BC data value versus set current value.

Table 9. Global Brightness Control Data Bit Assignment in the Control Data Latch

| BIT NUMBER | BIT NAME | CONTROLLED CHANNEL |
|------------|----------|--|
| 118-112 | BC | BC bits[6:0] for all channels (OUT0-OUT15) |

Function Control (FC) Data Latch

The function control (FC) data latch is 13 bits long. This latch enables the constant-current outputs, enables the auto display repeat and display timing reset functions, and sets the PWM control mode and the LOD/LSD/OLD data latch timing. Each function is selected by the first control data latch. When the device is powered on, the data of the FC data in the first control data latch are random (except the BLANK and PSMODE bits) in order to disable all constant-current outputs. The FC data bit assignment in the first control data latch is shown in [Table 10](#).

Table 10. Function Control Data Latch Bit Description

| BIT NUMBER | BIT NAME | DEFAULT VALUE (Binary) | DESCRIPTION |
|------------|----------|------------------------|---|
| 119 | BLANK | 1 | Constant-current output blank bit 0 = On, 1 = Off When this bit is '0', all constant-current outputs are controlled by the GS PWM timing controller. When this bit is '1', all constant-current outputs (OUT0-OUT15) are forced off. The grayscale counter is reset to '0', and the GS PWM timing controller is initialized. When the device is powered on, this bit is set to '1'. |
| 120 | DSRPT | — | Auto display repeat mode enable bit 0 = Disabled, 1 = Enabled When this bit is '0', the auto display repeat function is disabled. Each constant-current output is turned on and off for one display period after the BLANK bit is set to '0'. When this bit is '1', each output is repeated every 65536 GS clocks. When the device is powered on, this bit is random. |
| 121 | TMGRST | — | Display timing reset mode enable bit 0 = Disabled, 1 = Enabled When this bit is '1', the GS counter is reset to '0' and all outputs are forced off at the LAT rising edge for GS data write. This function is identical to the BLANK bit. Therefore, a BLANK bit data change is not needed to control the outputs from a controller. PWM control resumes from the next GSCLK rising edge. When this bit is '0', the GS counter is not reset and the outputs are not forced off even if a rising edge occurs at LAT. When the device is powered on, this bit is random. |
| 122 | ESPWM | — | ES-PWM mode enable bit 0 = Disabled, 1 = Enabled When this bit is '1', ES-PWM control mode is selected. When this bit is '0', the conventional PWM control mode is selected. If the TLC5948 is used for multiplexing a drive, the conventional PWM mode should be selected to prevent excess on/off switching. When the device is powered on, this bit is not random. |
| 123, 124 | LODVLT | — | LOD detection voltage selection bits LED open detection (LOD) detects a fault caused by an open LED by comparing the OUT n voltage to the LOD detection threshold voltage. The threshold voltage is selected with these bits. Table 11 shows the detect voltage truth table. When the device is powered on, this bit is random. |
| 125, 126 | LSDVLT | — | LSD detection voltage selection bits LED short detection (LSD) detects a fault caused by a shorted LED by comparing the OUT n voltage to the LSD detection threshold voltage. The threshold voltage is selected by these bits. Table 12 shows the detect voltage truth table. When the device is powered on, this bit is random. |
| 127, 128 | LATTMG | — | LOD/LSD data reading timing selection bits The LOD/LSD data reading time is selected by these bits. When DSRPT is '1' and IDMRPT is '0', LOD/LSD data are loaded to the LOD/LSD data latch only once after new GS data are written into the second GS data latch. Table 13 shows the data load timing truth table. When the device is powered on, this bit is random. |

Table 10. Function Control Data Latch Bit Description (continued)

| BIT NUMBER | BIT NAME | DEFAULT VALUE (Binary) | DESCRIPTION |
|------------|----------|------------------------|---|
| 129 | IDMENA | — | Invisible detection mode (IDM) enable bit 0 = Disabled, 1 = Enabled When this bit is '1', LED open detection (LOD) and LED short detection (LSD) check the LED status with very small current sinking at OUT _n in a specific display segment. LOD and LSD can be checked even if OUT _n is off. The current value is set by the IDMCUR bits (bits[132:131]) and the time is set by the LATTMG bits (bits[128:127]) in the function control data latch. Furthermore, the IDM operation is repeated every display period with auto display mode enabled when the IDMRPT bit (bit 130) is set to '1'. When this bit is '0', IDM is disabled. Therefore, LOD and LSD check the status of the LEDs at power-up only. When the device is powered on, this bit is random. |
| 130 | IDMRPT | — | Invisible detection mode (IDM) repeat bit 0 = Not repeated, 1 = Repeat When this bit is '1', IDM operation is repeated every display period with the auto display mode enabled. LOD and LSD check the LED status at OUT _n every display period even if OUT _n is off. When this bit is '0', IDM is not repeated. Therefore, LOD and LSD check the status of the LEDs once after the BLANK bit is changed from '1' to '0'. Otherwise, LAT is input for a GS write when TMGRST is '1' or the GS counter is reset at power-up once at the time programmed by LATTMG. IDM is disabled when IDMENA is set to '0' even if this bit is '1'. When the device is powered on, this bit is random. |
| 131, 132 | IDMCUR | — | Invisible detection mode (IDM) current select bits The OUT _n sink current for IDM can be selected with these bits. Table 14 shows the current truth table. When the device is powered on, these bits are random. |
| 133 | OLDENA | — | Output leak detection mode (OLD) enable bit 0 = Disabled, 1 = Enabled When this bit is '1', output leak detection (OLD) checks the LED status with a small current sourced through OUT _n in a display segment. OLD checks OUT _n with GS data '0' only. When OUT _n current leakage is detected, the OLD bit that corresponds to the leaking output is set to '1' in status information data (SID). When IDMENA is '1', OLD operation is disabled even if the OLDENA bit is set to '1' because OLD cannot get a correct result when IDM is enabled. When this bit is '0', OLD is not checked and all OLD bits in SID are set to '0'. OLD data are loaded into the OLD data latch at the 65535th GS clock. OLD data in SID may show the result of the previous display period, depending on the LAT input timing. When the device is powered on, this bit is random. |
| 134-136 | PSMODE | 111 | Power-save mode (PSM) selection bits The power-save mode is selected with these bits. Table 15 and Table 16 show the PSM truth tables. When the device is powered on, these bits are all set to '1'. |

Table 11. LOD Threshold Voltage Truth Table

| LODVLT | | LED OPEN DETECTION (LOD) THRESHOLD VOLTAGE |
|---------|---------|--|
| BIT 124 | BIT 123 | |
| 0 | 0 | VL0D0 (0.3 V, typ) |
| 0 | 1 | VL0D1 (0.6 V, typ) |
| 1 | 0 | VL0D2 (0.9 V, typ) |
| 1 | 1 | VL0D3 (1.2 V, typ) |

Table 12. LSD Threshold Voltage Truth Table

| LSDVLT | | LED SHORT DETECTION (LSD) THRESHOLD VOLTAGE |
|---------|---------|---|
| BIT 126 | BIT 125 | |
| 0 | 0 | VLSD0 (0.35 × VCC, typ) |
| 0 | 1 | VLSD1 (0.45 × VCC, typ) |
| 1 | 0 | VLSD2 (0.55 × VCC, typ) |

Table 12. LSD Threshold Voltage Truth Table (continued)

| LSDVLT | | LED SHORT DETECTION (LSD) THRESHOLD VOLTAGE |
|---------|---------|---|
| BIT 126 | BIT 125 | |
| 1 | 1 | VLSD3 (0.65 × VCC, typ) |

Table 13. LOD/LSD Data Latch Time Truth Table

| LATTMG | | LOD/LSD DATA LATCH TIMING |
|---------|---------|--|
| BIT 128 | BIT 127 | |
| 0 | 0 | 17th GSCLK after BLANK bit is changed to '0' or GS counter is reset. ⁽¹⁾ |
| 0 | 1 | 33rd GSCLK after BLANK bit is changed to '0' or GS counter is reset. ⁽¹⁾ |
| 1 | 0 | 65th GSCLK after BLANK bit is changed to '0' or GS counter is reset. ⁽¹⁾ |
| 1 | 1 | 129th GSCLK after BLANK bit is changed to '0' or GS counter is reset. ⁽¹⁾ |

(1) When DSPRPT is '1' and IDMRPT is '0', the resulting LOD/LSD data are loaded to the LOD/LSD data latch only once after new GS data are written into the second GS data latch.

Table 14. IDM Sink Current Truth Table

| IDMCUR | | INVISIBLE DETECTION MODE (IDM) SINK CURRENT |
|---------|---------|---|
| BIT 132 | BIT 131 | |
| 0 | 0 | 2 μA (typ) |
| 0 | 1 | 10 μA (typ) |
| 1 | 0 | 20 μA (typ) |
| 1 | 1 | 1 mA (typ) |

Table 15. PSM Select Truth Table: Bits[135:134]

| PSMODE | | POWER-SAVE MODE (PSM) FUNCTION |
|-------------|-------------|--|
| BIT 135 | BIT 134 | |
| 0 | 0 | Power-save mode is disabled in every condition |
| 0 | 1 | When all '0's are written into the second GS data latch, the device goes into power-save mode. When a rising edge at SCLK occurs, the device goes to normal operation and starts to control the output current. However, it takes some recovery time (t_{D7}) to resume normal operation after an SCLK rising edge. |
| 1 | 0 | When all '0's are written into the second GS data latch, the device goes into power-save mode. When the data (except all '0's) are written into the second GS data latch, the device goes to normal operation and starts to control the output current. However, it takes some recovery time (t_{D7}) to resume normal operation after the data changes. |
| 1 (default) | 1 (default) | Power-save mode is enabled in every condition. When the device is powered up, this mode is selected. |

Table 16. PSM Select Truth Table: Bit[136]

| PSMODE BIT 136 | POWER-SAVE MODE (PSM) FUNCTION |
|-------------------|--|
| 0 | The GSCLK signal is used for GS timing control in the same manner as in normal mode even if the device is in power-save mode. |
| 1 (default) | When the device is in power-save mode, the GSCLK signal is forced low internally and GS timing control logic is not operational in order to reduce power consumption. However, if the lower two bits of PSMODE (bits[135:134]) are set to '0', the GSCLK signal is not forced low because the PSM is disabled. When the device is powered up, this mode is selected. |

STATUS INFORMATION DATA (SID)

The status information data (SID) contain the status of the LED open detection (LOD), LED short detection (LSD), output leakage detection (OLD), pre-thermal warning (PTW), thermal error flag (TEF), and IREF short flag (ISF). When the LAT rising edge for a GS data write is input, the SID overwrite the common shift register data after the data in the common shift register are copied to the GS latch. If the MSB of the common shift register is '1', the SID data are not copied to the common shift register.

After being copied into the common shift register, new SID data cannot be copied until at least one new bit of data is written into the common shift register. Otherwise, the LAT signal is ignored. To recheck SID without changing the GS data, reprogram the common shift register with the same data currently programmed into the GS latch. When LAT goes high, the GS data do not change, but the SID data are loaded into the common shift register. LOD, LSD, OLD, PTW, TEF, and ISF are shifted out of SOUT with each rising edge of SCLK. The SID load configuration and SID read timing are shown in Figure 33 and Table 17, respectively.

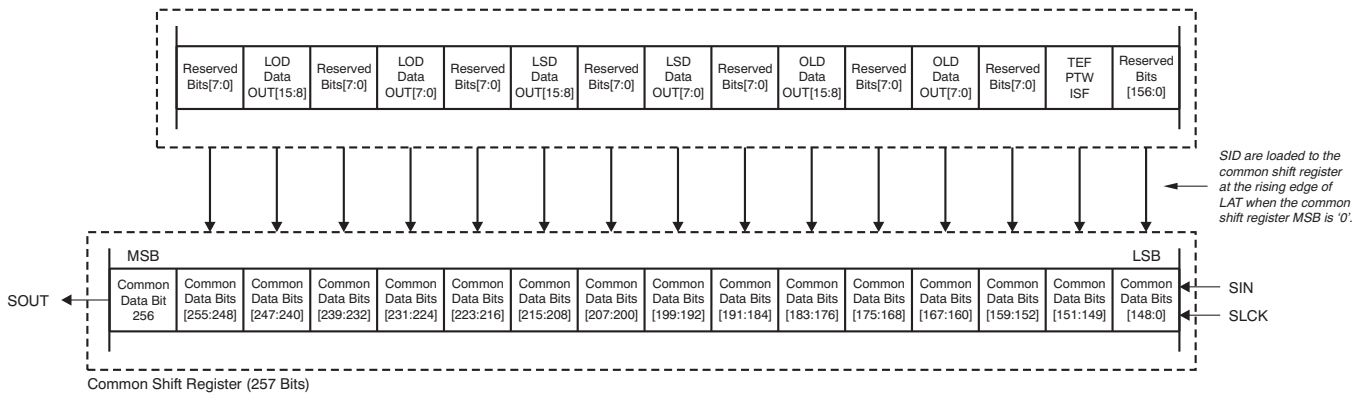


Figure 33. SID Load Configuration

Table 17. SID Load Description

| COMMON SHIFT REGISTER BIT NUMBER | LOADED SID DESCRIPTION |
|----------------------------------|---|
| 256 | No data loaded |
| [255:248] | Reserved |
| [247:240] | LED open detection (LOD) data of OUT[15:8] The bit assignment of the output channels is: Bit 240 = OUT8 LOD Bit 241 = OUT9 LOD ... Bit 246 = OUT14 LOD Bit 247 = OUT15 LOD 0 = Normal operation 1 = LED is open or connected to GND with low resistance |
| [239:232] | Reserved |
| [231:224] | LED open detection (LOD) data of OUT[7:0] The bit assignment of the output channels is: Bit 224 = OUT0 LOD Bit 225 = OUT1 LOD ... Bit 230 = OUT6 LOD Bit 231 = OUT7 LOD Bit data meaning 0 = Normal operation 1 = LED is open or connected to GND with low resistance |
| [223:216] | Reserved |

Table 17. SID Load Description (continued)

| COMMON SHIFT REGISTER BIT NUMBER | LOADED SID DESCRIPTION |
|----------------------------------|---|
| [215:208] | LED short detection (LSD) data of OUT[15:8] The bit assignment of the output channels is: Bit 208 = OUT8 LSD Bit 209 = OUT9 LSD ... Bit 214 = OUT14 LSD Bit 215 = OUT15 LSD 0 = Normal operation 1 = LED is shorted |
| [207:200] | Reserved |
| [199:192] | LED short detection (LSD) data of OUT[7:0] The bit assignment of the output channels is: Bit 192 = OUT0 LSD Bit 193 = OUT1 LSD ... Bit 198 = OUT6 LSD Bit 199 = OUT7 LSD 0 = Normal operation 1 = LED is shorted |
| [191:184] | Reserved |
| Bits[183:176] | Output leak detection (OLD) data of OUT[15:8] The bit assignment of the output channels is: Bit 176 = OUT8 OLD Bit 177 = OUT9 OLD ... Bit 182 = OUT14 OLD Bit 183 = OUT15 OLD 0 = Normal operation 1 = Output current leaks to GND when the output is off |
| Bits[175:168] | Reserved |
| Bits[167:160] | Output leak detection (OLD) data of OUT[7:0] The bit assignment of the output channels is: Bit 160 = OUT0 OLD Bit 161 = OUT1 OLD ... Bit 166 = OUT6 OLD Bit 167 = OUT7 OLD 0 = Normal operation 1 = LED current leaks to GND when the output is off |
| Bits[159:152] | Reserved |
| Bit 151 | Thermal error flag (TEF) data 0 = Normal operation 1 = Higher temperature condition than TEF detected temperature range |
| Bit 150 | Pre-thermal warning (PTW) data 0 = Normal operation 1 = Higher temperature condition than PTW detected temperature range |
| Bit 149 | IREF short flag (ISF) data, 1-bit data 0 = Normal operation 1 = IREF terminal connected to GND with low resistance |
| Bits[148:0] | Reserved |

LED OPEN DETECTION (LOD)

LOD detects a fault caused by an LED open circuit or a short from OUT_n to ground with low resistance, by comparing the OUT_n voltage to the LOD detection threshold voltage. If the OUT_n voltage is lower than the threshold voltage (set by the LODVLT bits in the first control data latch) when OUT_n is on, that output LOD bit is set to '1' to indicate an open LED. Otherwise, the LOD bit is set to '0'. LOD data are only valid for outputs that are programmed to be on at time of the LOD data read selected by the LATTMG bits in the first control data latch. LOD data are latched into the LOD data latch at the time LOD data are read, as selected by LATTMG. LOD data for outputs programmed to be off at the LOD latch timing are always '0' when IDM is not enabled.

LED SHORT DETECTION (LSD)

LSD data detect a fault caused by a shorted LED by comparing the OUT_n voltage to the LSD detection threshold voltage level set by LSDVLT in the first control data latch. If the OUT_n voltage is higher than the programmed voltage when OUT_n is on, the corresponding output LSD bit is set to '1' to indicate a shorted LED. Otherwise, the LSD bit is set to '0'. LSD data are only valid for outputs that are programmed to be on at the time when the LSD data are read, as selected by the LATTMG bits in the first control data latch. LSD data are latched into the LSD data latch at the time when the LSD data are read, as selected by LATTMG. LSD data for outputs programmed to be off at the LSD latch timing are always '0' when IDM is not enabled.

OUTPUT LEAKAGE DETECTION (OLD)

Output leakage detection (OLD) detects a fault caused by a short with high resistance from OUT_n to GND by comparing the OUT_n voltage to the LSD detection threshold voltage when the output is off. A small current is sourced from OUT_n to detect LED leakage. OLD operation can be disabled by the OLDENA bit. Also, OLD is disabled when the invisible detection mode (IDM) is enabled (see the [Invisible Detection Mode](#) section). If the OUT_n voltage is lower than the programmed LSD threshold voltage, the corresponding output OLD bit is set to '1' to indicate a leaking LED. Otherwise, the OLD bit is set to '0'. The OLD result is valid for disabled outputs only. The OLD data are latched into the OLD data latch at the end of the display period or when BLANK is changed to '1'. Also, the OLD data are latched when the GS data are written if the display timing reset is enabled. OLD data always read '0' when the output GS is not '0', or when OLD is disabled.

INVISIBLE DETECTION MODE (IDM)

Invisible detection mode (IDM) can detect LOD and LSD without dependency upon GS data. When the IDM bit in the function control data latch is set, OUT_n starts sinking the current set by the IDMCUR bits in the function control latch at the first GSCLK; the IDM sink current is turned off at the GSCLK programmed by LATTMG. When the IDM current is turned off, LOD and LSD data are latched into the LOD/LSD data latch. During the IDM timing, the original PWM control continues. When the IDM bit in the control data latch is set to '0', the OUT_n on/off timing is only controlled by GS data.

LOD/LSD data are not valid for approximately 1 μ s after the constant-current output turns on. Therefore, GS data must be set to turn on the output for at least 1 μ s. Furthermore, the LOD/LSD latch timing bits (LATTMG) should be set as shown in [Equation 4](#):

The number of GSCLK to obtain valid LOD/LSD = $1 \mu\text{s}/T_{\text{GSCLK}}$

where:

$$T_{\text{GSCLK}} = \text{one GSCLK period} \quad (4)$$

If the GSCLK frequency is 33 MHz, the outputs must be on for 33 GSCLK periods or more. Therefore, the LATTMG bits can only be set to 01, 10, or 11b. If the GSCLK frequency is 2 MHz, the outputs must be on for two GSCLK periods or more. In this case, the LATTMG bits can be set to any pattern.

When LOD/LSD data must be read with invisible brightness, the LATTMG bits should be set to the minimum data larger than the calculated number of GSCCLK periods defined by Equation 4. IDM does not work in power-save mode. Figure 34 shows the LOD/LSD/OLD/IDM circuit and Table 18 shows a truth table for LOD, LSD, and OLD. IDM operation timing is shown in Figure 35.

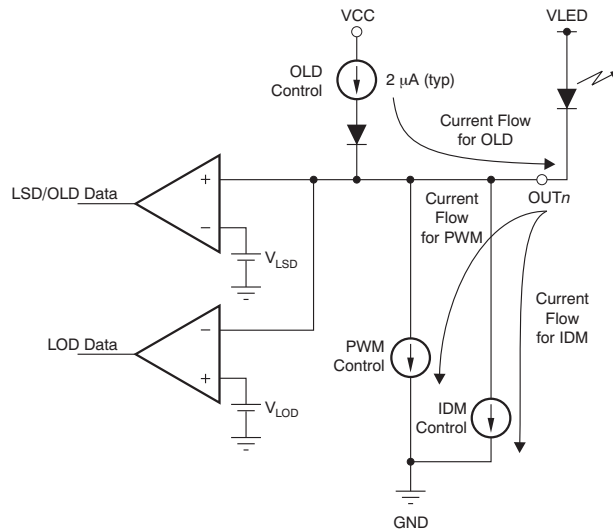
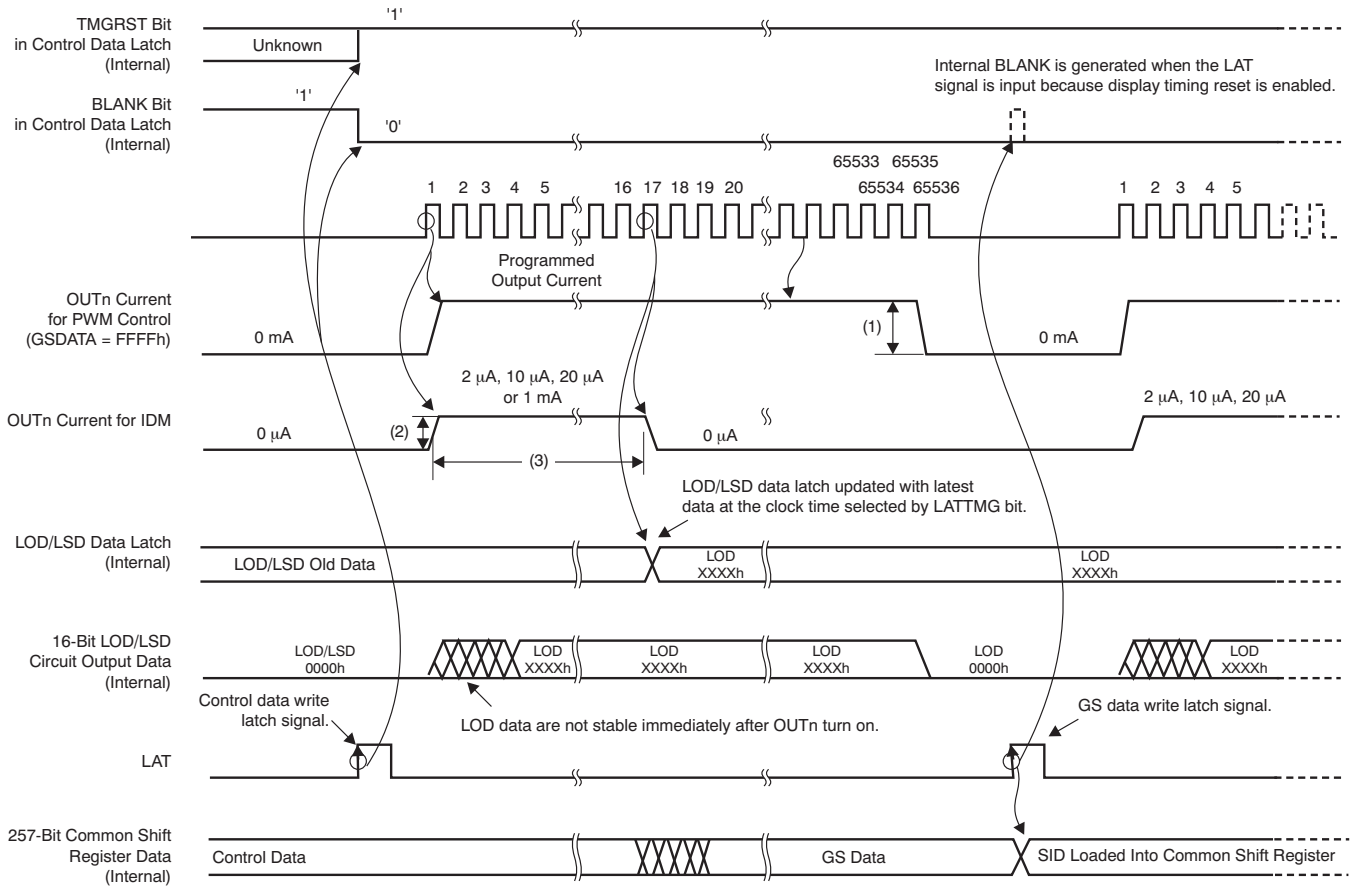


Figure 34. LOD/LSD/OLD/IDM Circuit

Table 18. LOD/LSD/OLD/ISF/PTW/TEF Truth Table

| SID DATA | CONDITION | | | | | |
|----------|---|--|--|--|--|--|
| | LOD | LSD | OLD | ISF | PTW | TEF |
| 0 | LED is not opened ($V_{OUTn} > V_{LOD}$) | LED is not shorted ($V_{OUTn} \leq V_{LSD}$) | $OUTn$ does not leak to GND ($V_{OUTn} > V_{LSD}$ when constant-current output off and $OUTn$ source current on) | IREF terminal is not shorted | Device temperature is lower than pre-thermal warning temperature (temperature $\leq T_{PTW}$) | Device temperature is lower than thermal shutdown threshold temperature (temperature $\leq T_{TEF}$) |
| 1 | LED is open or shorted to GND ($V_{OUTn} \leq V_{LOD}$) | LED is shorted between anode and cathode, or shorted to higher voltage side ($V_{OUTn} > V_{LSD}$) | Current leaks from $OUTn$ to internal GND, or $OUTn$ is shorted to external GND with high impedance ($V_{OUTn} \leq V_{LSD}$ when constant-current output off and $OUTn$ source current on) | IREF terminal is shorted to GND with low impedance and $OUTn$ are forced off | Device temperature is higher than pre-thermal warning temperature (temperature $> T_{PTW}$) | Device temperature is higher than thermal shutdown threshold temperature and driver is forced off (temperature $> T_{TEF}$) |



- (1) Set the current with the external resistor and DC/BC data.
- (2) Select the output current with the IDMCUR bit in the control data latch.
- (3) Select clock time with the LATTMG bit in the control data latch.

Figure 35. PWM and IDM Operation Timing

POWER-SAVE MODE (PSM)

The power-save mode control bits are assigned in the function control data latch. The device dissipation current becomes 10 μA (typ.) in this mode. When the two lower bits in PSMODE are '01', '10', or '11', the power-save mode is enabled. When the lower two bits are '01' or '10', if all '0' data are written in the second GS data latch, the TLC5948 goes into power-save mode. When a rising edge is generated at SCLK with the lower two PSMODE bits (bits[135:134]) set to '01', the device leaves PSM for normal operation. OUT_n are turned on at the first GSCLK of the next display period after the device has left PSM. Figure 36 shows the power-save mode timing diagram.

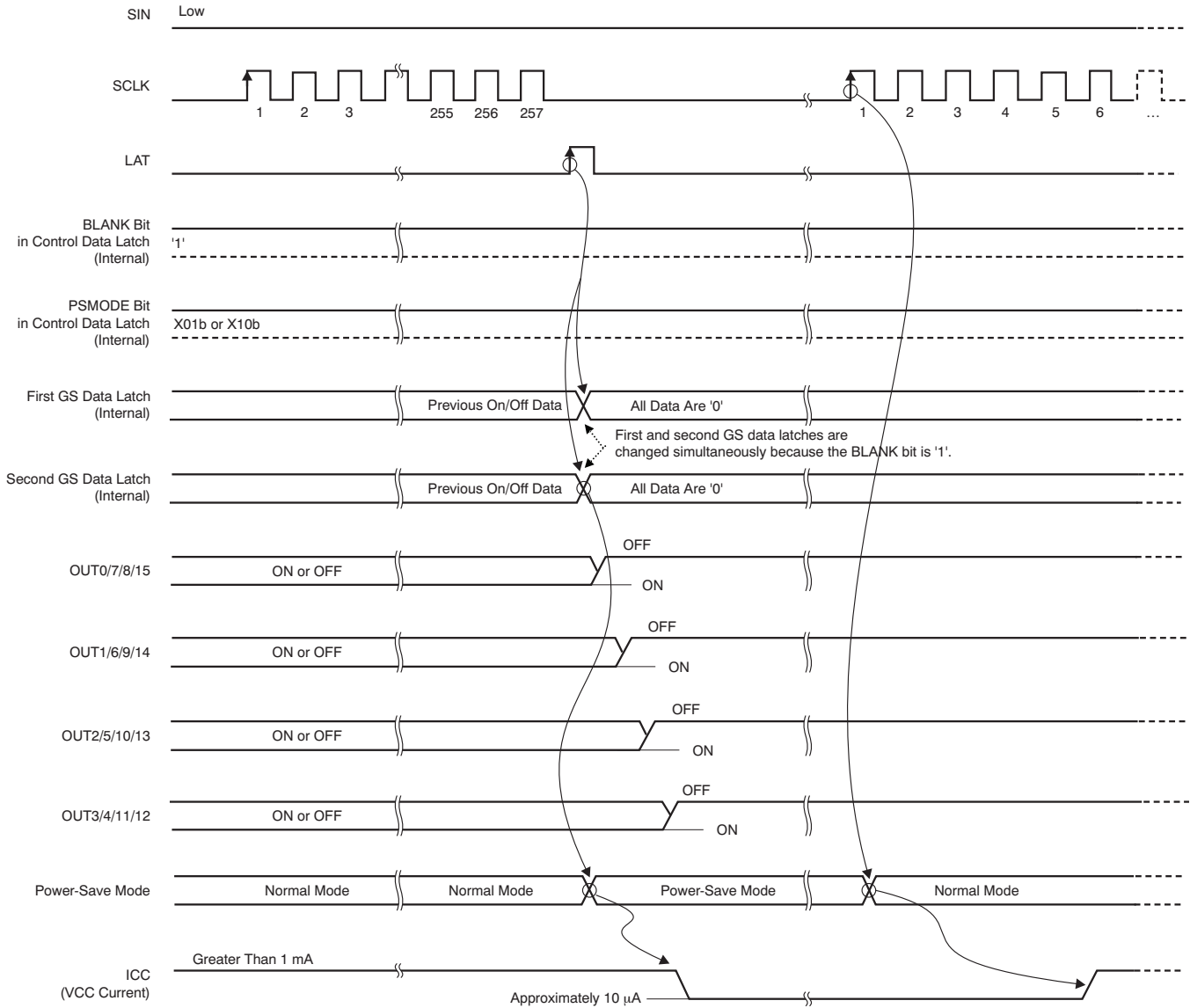


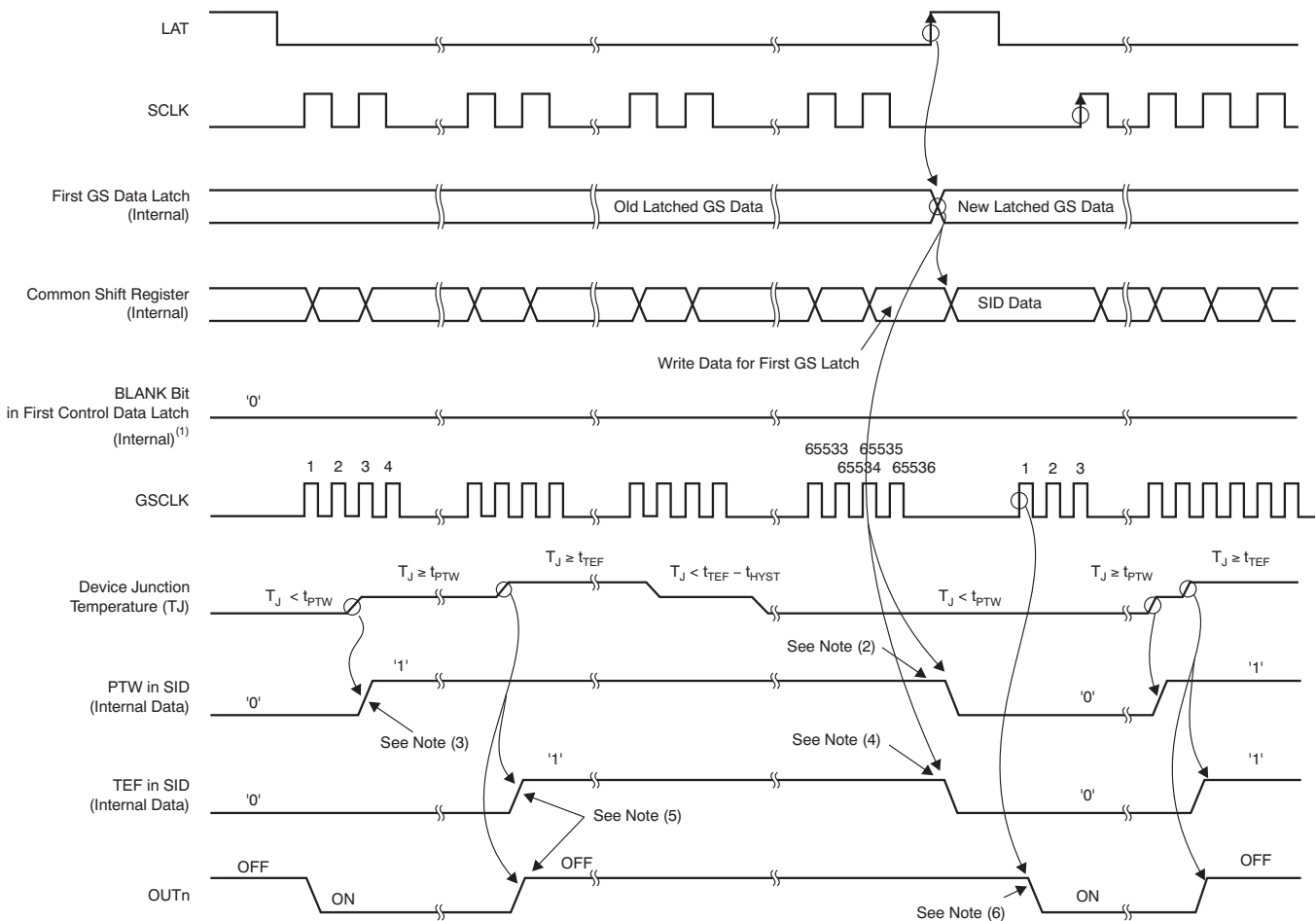
Figure 36. Power-Save Mode Timing (Bits 135 and 134 = 01)

CURRENT REFERENCE (IREF PIN) SHORT FLAG (ISF)

The ISF function indicates that the IREF terminal is shorted with low impedance to GND. The ISF bit in the SID is set to '1' during this condition. Then all outputs, OUT_n , are forced off. See [Table 18](#) for the ISF truth table.

PRE-THERMAL WARNING (PTW)

The PTW function indicates that the device junction temperature is high. The PTW in the SID is set to '1' while the device junction temperature exceeds the temperature threshold ($T_{PTW} = +138^{\circ}\text{C}$, typ); however, the outputs are not forced off. When the PTW is set, the device temperature should be reduced by lowering the power dissipated in it to avoid a forced shutdown by the thermal shutdown circuit. This reduction can be accomplished by lowering the values of the GS, DC, or BC data. When the device junction temperature drops below the T_{PTW} temperature, the PTW bit in the SID is set to '0'. [Figure 37](#) shows a timing diagram; see [Table 18](#) for the PTW truth table.



- (1) This internal signal is reset when LAT is input for the GS write with the display timing reset enabled.
- (2) The PTW bit in SID is reset to '0' at the LAT rising edge for a GS data write if the device junction temperature is below t_{PTW} .
- (3) The PTW bit is set to '1' when the device junction temperature is greater than t_{PTW} .
- (4) The TEF bit in SID is reset to '0' at the LAT rising edge for a GS data write if the device junction temperature is below t_{TEF} .
- (5) OUT_0 to OUT_{15} are forced off when T_J exceeds t_{TEF} . Furthermore, the TEF bit is set to '1' at the same time.
- (6) OUT_0 to OUT_{15} are turned on at the first GSCLK rising edge if the device junction temperature is below t_{TEF} with BLANK set to '0'.

Figure 37. PTW/TEF/TSD Timing

THERMAL SHUTDOWN (TSD) AND THERMAL ERROR FLAG (TEF)

The thermal shutdown (TSD) function turns off all constant-current outputs on the device when the junction temperature (T_J) exceeds the threshold ($T_{TEF} = +165^\circ\text{C}$, typ) and sets the thermal error flag (TEF) to '1'. All outputs are latched off when TEF is set to '1' and remain off at least until the next GS cycle starts and the junction temperature drops below ($T_{TEF} - T_{HYST}$). TEF remains '1' until a rising edge at LAT occurs and the temperature is reduced. TEF is set to '0' once the junction temperature drops below ($T_{TEF} - T_{HYST}$), but the output does not turn on until the first GSCLK in the next display period occurs even if TEF is set to '0'. See [Figure 37](#) for a timing diagram; [Table 18](#) shows the truth table for TEF.

NOISE REDUCTION

Large surge currents may flow through the device and the board on which the device is mounted if all 16 outputs turn on simultaneously at the start of each GS cycle. These large current surges could introduce detrimental noise and electromagnetic interference (EMI) into other circuits. The TLC5948 turns the outputs on with delay for each group independently to provide a soft-start feature. The output current sinks are grouped into four groups in each color group. The first output group that is turned on/off are OUT0/7/8/15; the second output group is OUT1/6/9/14; the third output group is OUT2/5/10/13; and the fourth output group is OUT3/4/11/12. Each output group is turned on and off sequentially with a small delay between the groups. However, each output on/off is controlled by the GS clock.

PACKAGING INFORMATION

| Orderable Device | Status ⁽¹⁾ | Package Type | Package Drawing | Pins | Package Qty | Eco Plan ⁽²⁾ | Lead/ Ball Finish | MSL Peak Temp ⁽³⁾ | Samples (Requires Login) |
|------------------|-----------------------|--------------|-----------------|------|-------------|----------------------------|----------------------|------------------------------|-----------------------------|
| TLC5948DBQ | ACTIVE | SSOP/QSOP | DBQ | 24 | 50 | Green (RoHS & no Sb/Br) | CU NIPDAU | Level-2-260C-1 YEAR | |
| TLC5948DBQR | ACTIVE | SSOP/QSOP | DBQ | 24 | 2500 | Green (RoHS & no Sb/Br) | CU NIPDAU | Level-2-260C-1 YEAR | |
| TLC5948PWP | ACTIVE | HTSSOP | PWP | 24 | 60 | Green (RoHS & no Sb/Br) | CU NIPDAU | Level-2-260C-1 YEAR | |
| TLC5948PWPR | ACTIVE | HTSSOP | PWP | 24 | 2000 | Green (RoHS & no Sb/Br) | CU NIPDAU | Level-2-260C-1 YEAR | |

⁽¹⁾ The marketing status values are defined as follows:

ACTIVE: Product device recommended for new designs.

LIFEBUY: TI has announced that the device will be discontinued, and a lifetime-buy period is in effect.

NRND: Not recommended for new designs. Device is in production to support existing customers, but TI does not recommend using this part in a new design.

PREVIEW: Device has been announced but is not in production. Samples may or may not be available.

OBSOLETE: TI has discontinued the production of the device.

⁽²⁾ Eco Plan - The planned eco-friendly classification: Pb-Free (RoHS), Pb-Free (RoHS Exempt), or Green (RoHS & no Sb/Br) - please check <http://www.ti.com/productcontent> for the latest availability information and additional product content details.

TBD: The Pb-Free/Green conversion plan has not been defined.

Pb-Free (RoHS): TI's terms "Lead-Free" or "Pb-Free" mean semiconductor products that are compatible with the current RoHS requirements for all 6 substances, including the requirement that lead not exceed 0.1% by weight in homogeneous materials. Where designed to be soldered at high temperatures, TI Pb-Free products are suitable for use in specified lead-free processes.

Pb-Free (RoHS Exempt): This component has a RoHS exemption for either 1) lead-based flip-chip solder bumps used between the die and package, or 2) lead-based die adhesive used between the die and leadframe. The component is otherwise considered Pb-Free (RoHS compatible) as defined above.

Green (RoHS & no Sb/Br): TI defines "Green" to mean Pb-Free (RoHS compatible), and free of Bromine (Br) and Antimony (Sb) based flame retardants (Br or Sb do not exceed 0.1% by weight in homogeneous material)

⁽³⁾ MSL, Peak Temp. -- The Moisture Sensitivity Level rating according to the JEDEC industry standard classifications, and peak solder temperature.

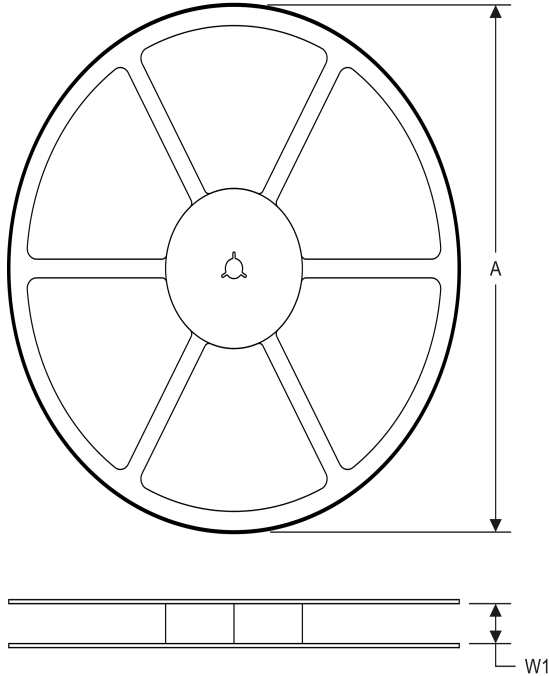
Important Information and Disclaimer: The information provided on this page represents TI's knowledge and belief as of the date that it is provided. TI bases its knowledge and belief on information provided by third parties, and makes no representation or warranty as to the accuracy of such information. Efforts are underway to better integrate information from third parties. TI has taken and continues to take reasonable steps to provide representative and accurate information but may not have conducted destructive testing or chemical analysis on incoming materials and chemicals. TI and TI suppliers consider certain information to be proprietary, and thus CAS numbers and other limited information may not be available for release.

In no event shall TI's liability arising out of such information exceed the total purchase price of the TI part(s) at issue in this document sold by TI to Customer on an annual basis.

PACKAGE MATERIALS INFORMATION

TAPE AND REEL INFORMATION

REEL DIMENSIONS



TAPE DIMENSIONS



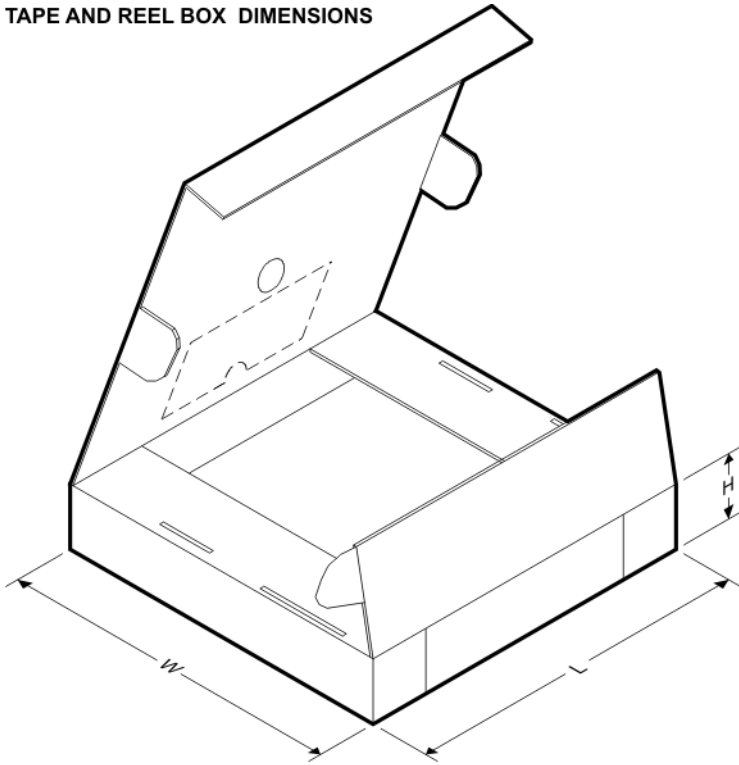
| | |
|----|---|
| A0 | Dimension designed to accommodate the component width |
| B0 | Dimension designed to accommodate the component length |
| K0 | Dimension designed to accommodate the component thickness |
| W | Overall width of the carrier tape |
| P1 | Pitch between successive cavity centers |

TAPE AND REEL INFORMATION

*All dimensions are nominal

| Device | Package Type | Package Drawing | Pins | SPQ | Reel Diameter (mm) | Reel Width W1 (mm) | A0 (mm) | B0 (mm) | K0 (mm) | P1 (mm) | W (mm) | Pin1 Quadrant |
|-------------|--------------|-----------------|------|------|--------------------|--------------------|---------|---------|---------|---------|--------|---------------|
| TLC5948DBQR | SSOP/QSOP | DBQ | 24 | 2500 | 330.0 | 16.4 | 6.5 | 9.0 | 2.1 | 8.0 | 16.0 | Q1 |
| TLC5948PWPR | HTSSOP | PWP | 24 | 2000 | 330.0 | 16.4 | 6.95 | 8.3 | 1.6 | 8.0 | 16.0 | Q1 |

TAPE AND REEL BOX DIMENSIONS



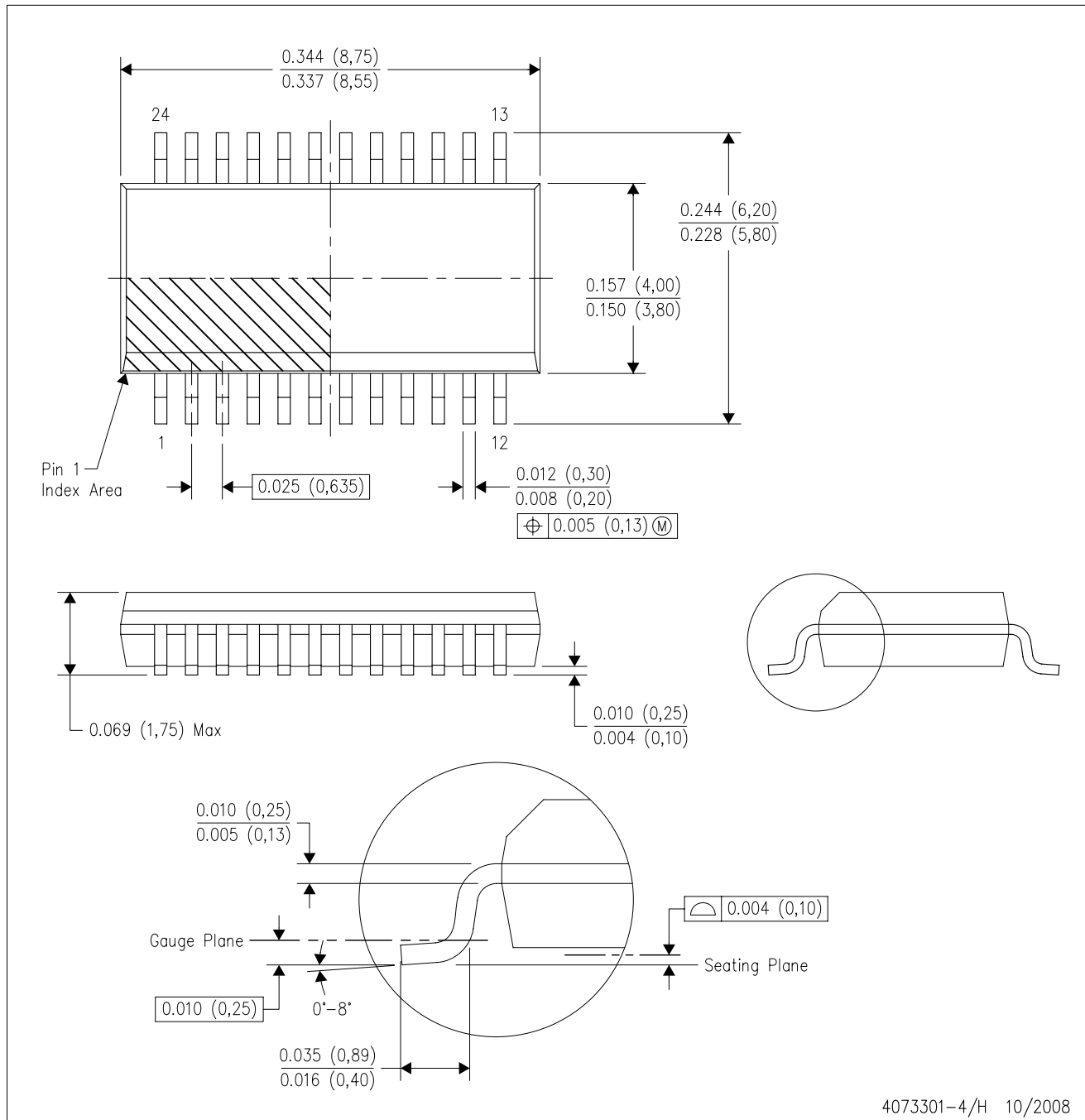
*All dimensions are nominal

| Device | Package Type | Package Drawing | Pins | SPQ | Length (mm) | Width (mm) | Height (mm) |
|-------------|--------------|-----------------|------|------|-------------|------------|-------------|
| TLC5948DBQR | SSOP/QSOP | DBQ | 24 | 2500 | 346.0 | 346.0 | 33.0 |
| TLC5948PWPR | HTSSOP | PWP | 24 | 2000 | 346.0 | 346.0 | 33.0 |

MECHANICAL DATA

DBQ (R-PDSO-G24)

PLASTIC SMALL-OUTLINE PACKAGE

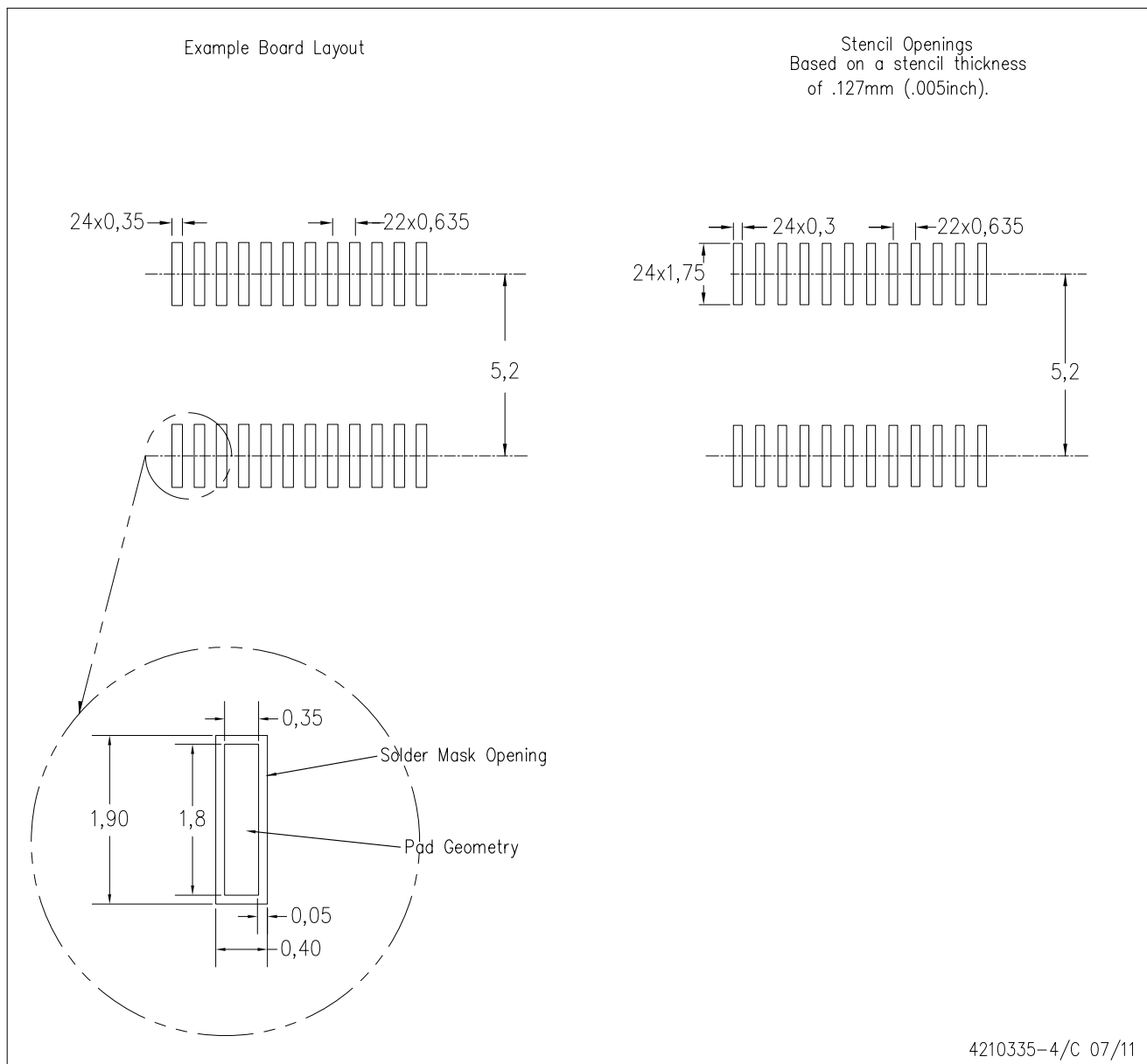


- NOTES:
- All linear dimensions are in inches (millimeters).
 - This drawing is subject to change without notice.
 - Body dimensions do not include mold flash or protrusion not to exceed 0.006 (0,15) per side.
 - Falls within JEDEC MO-137 variation AE.

LAND PATTERN DATA

DBQ (R-PDSO-G24)

PLASTIC SMALL OUTLINE PACKAGE

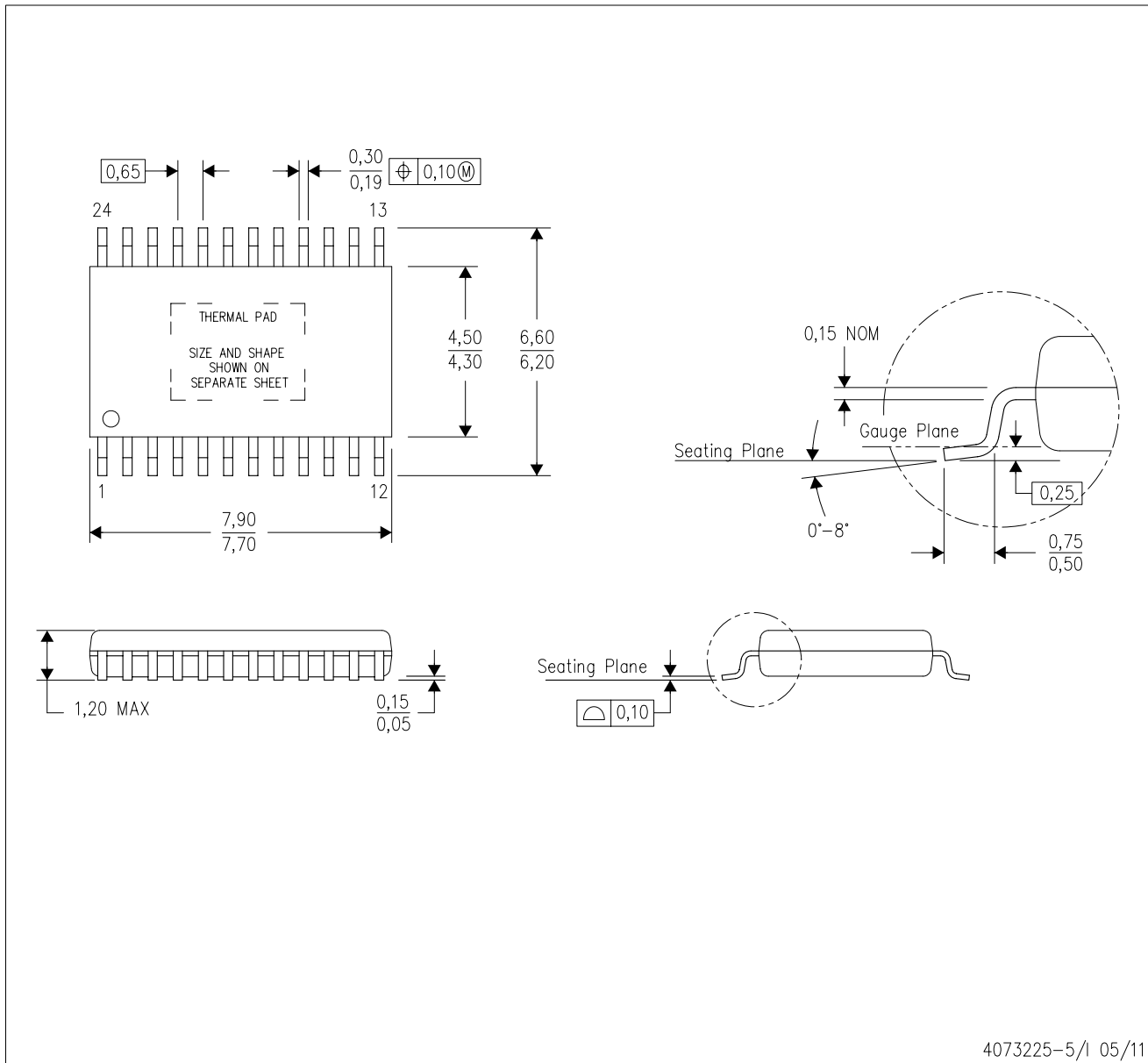


- NOTES:
- All linear dimensions are in millimeters.
 - This drawing is subject to change without notice.
 - Customers should place a note on the circuit board fabrication drawing not to alter the center solder mask defined pad.
 - Publication IPC-7351 is recommended for alternate designs.
 - Laser cutting apertures with trapezoidal walls and also rounding corners will offer better paste release. Customers should contact their board assembly site for stencil design recommendations. Example stencil design based on a 50% volumetric metal load solder paste. Refer to IPC-7525 for other stencil recommendations.

MECHANICAL DATA

PWP (R-PDSO-G24)

PowerPAD™ PLASTIC SMALL OUTLINE



- NOTES:
- All linear dimensions are in millimeters.
 - This drawing is subject to change without notice.
 - Body dimensions do not include mold flash or protrusions. Mold flash and protrusion shall not exceed 0.15 per side.
 - This package is designed to be soldered to a thermal pad on the board. Refer to Technical Brief, PowerPad Thermally Enhanced Package, Texas Instruments Literature No. SLMA002 for information regarding recommended board layout. This document is available at www.ti.com <<http://www.ti.com>>.
 - See the additional figure in the Product Data Sheet for details regarding the exposed thermal pad features and dimensions.
 - Falls within JEDEC MO-153

PowerPAD is a trademark of Texas Instruments.

THERMAL PAD MECHANICAL DATA

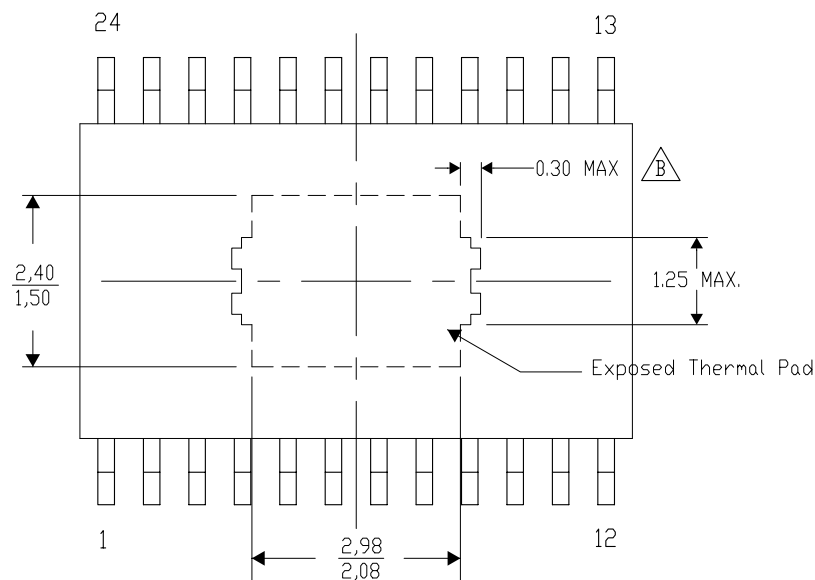
PWP (R-PDSO-G24) PowerPAD™ SMALL PLASTIC OUTLINE

THERMAL INFORMATION

This PowerPAD™ package incorporates an exposed thermal pad that is designed to be attached to a printed circuit board (PCB). The thermal pad must be soldered directly to the PCB. After soldering, the PCB can be used as a heatsink. In addition, through the use of thermal vias, the thermal pad can be attached directly to the appropriate copper plane shown in the electrical schematic for the device, or alternatively, can be attached to a special heatsink structure designed into the PCB. This design optimizes the heat transfer from the integrated circuit (IC).

For additional information on the PowerPAD package and how to take advantage of its heat dissipating abilities, refer to Technical Brief, PowerPAD Thermally Enhanced Package, Texas Instruments Literature No. SLMA002 and Application Brief, PowerPAD Made Easy, Texas Instruments Literature No. SLMA004. Both documents are available at www.ti.com.

The exposed thermal pad dimensions for this package are shown in the following illustration.




Top View

Exposed Thermal Pad Dimensions

4206332-28/Y 10/11

NOTE: A. All linear dimensions are in millimeters

 Exposed tie strap features may not be present.

PowerPAD is a trademark of Texas Instruments

IMPORTANT NOTICE

Texas Instruments Incorporated and its subsidiaries (TI) reserve the right to make corrections, modifications, enhancements, improvements, and other changes to its products and services at any time and to discontinue any product or service without notice. Customers should obtain the latest relevant information before placing orders and should verify that such information is current and complete. All products are sold subject to TI's terms and conditions of sale supplied at the time of order acknowledgment.

TI warrants performance of its hardware products to the specifications applicable at the time of sale in accordance with TI's standard warranty. Testing and other quality control techniques are used to the extent TI deems necessary to support this warranty. Except where mandated by government requirements, testing of all parameters of each product is not necessarily performed.

TI assumes no liability for applications assistance or customer product design. Customers are responsible for their products and applications using TI components. To minimize the risks associated with customer products and applications, customers should provide adequate design and operating safeguards.

TI does not warrant or represent that any license, either express or implied, is granted under any TI patent right, copyright, mask work right, or other TI intellectual property right relating to any combination, machine, or process in which TI products or services are used. Information published by TI regarding third-party products or services does not constitute a license from TI to use such products or services or a warranty or endorsement thereof. Use of such information may require a license from a third party under the patents or other intellectual property of the third party, or a license from TI under the patents or other intellectual property of TI.

Reproduction of TI information in TI data books or data sheets is permissible only if reproduction is without alteration and is accompanied by all associated warranties, conditions, limitations, and notices. Reproduction of this information with alteration is an unfair and deceptive business practice. TI is not responsible or liable for such altered documentation. Information of third parties may be subject to additional restrictions.

Resale of TI products or services with statements different from or beyond the parameters stated by TI for that product or service voids all express and any implied warranties for the associated TI product or service and is an unfair and deceptive business practice. TI is not responsible or liable for any such statements.

TI products are not authorized for use in safety-critical applications (such as life support) where a failure of the TI product would reasonably be expected to cause severe personal injury or death, unless officers of the parties have executed an agreement specifically governing such use. Buyers represent that they have all necessary expertise in the safety and regulatory ramifications of their applications, and acknowledge and agree that they are solely responsible for all legal, regulatory and safety-related requirements concerning their products and any use of TI products in such safety-critical applications, notwithstanding any applications-related information or support that may be provided by TI. Further, Buyers must fully indemnify TI and its representatives against any damages arising out of the use of TI products in such safety-critical applications.

TI products are neither designed nor intended for use in military/aerospace applications or environments unless the TI products are specifically designated by TI as military-grade or "enhanced plastic." Only products designated by TI as military-grade meet military specifications. Buyers acknowledge and agree that any such use of TI products which TI has not designated as military-grade is solely at the Buyer's risk, and that they are solely responsible for compliance with all legal and regulatory requirements in connection with such use.

TI products are neither designed nor intended for use in automotive applications or environments unless the specific TI products are designated by TI as compliant with ISO/TS 16949 requirements. Buyers acknowledge and agree that, if they use any non-designated products in automotive applications, TI will not be responsible for any failure to meet such requirements.

Following are URLs where you can obtain information on other Texas Instruments products and application solutions:

Products

| | |
|------------------------|--|
| Audio | www.ti.com/audio |
| Amplifiers | amplifier.ti.com |
| Data Converters | dataconverter.ti.com |
| DLP® Products | www.dlp.com |
| DSP | dsp.ti.com |
| Clocks and Timers | www.ti.com/clocks |
| Interface | interface.ti.com |
| Logic | logic.ti.com |
| Power Mgmt | power.ti.com |
| Microcontrollers | microcontroller.ti.com |
| RFID | www.ti-rfid.com |
| OMAP Mobile Processors | www.ti.com/omap |
| Wireless Connectivity | www.ti.com/wirelessconnectivity |

Applications

| | |
|-------------------------------|--|
| Communications and Telecom | www.ti.com/communications |
| Computers and Peripherals | www.ti.com/computers |
| Consumer Electronics | www.ti.com/consumer-apps |
| Energy and Lighting | www.ti.com/energy |
| Industrial | www.ti.com/industrial |
| Medical | www.ti.com/medical |
| Security | www.ti.com/security |
| Space, Avionics and Defense | www.ti.com/space-avionics-defense |
| Transportation and Automotive | www.ti.com/automotive |
| Video and Imaging | www.ti.com/video |

TI E2E Community Home Page

e2e.ti.com

Mailing Address: Texas Instruments, Post Office Box 655303, Dallas, Texas 75265
Copyright © 2011, Texas Instruments Incorporated

OUR CERTIFICATE

DiGi provide top-quality products and perfect service for customer worldwide through standardization, technological innovation and continuous improvement. DiGi through third-party certification, we stricly control the quality of products and services. Welcome your RFQ to

Email: Info@DiGi-Electronics.com



Tel: +00 852-30501935

RFQ Email: Info@DiGi-Electronics.com

DiGi is a global authorized distributor of electronic components.