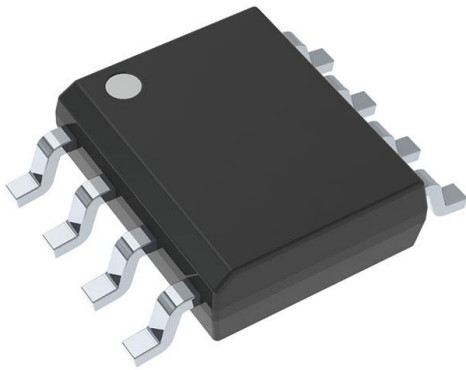


# UCC2809D-2 Datasheet

[www.digi-electronics.com](http://www.digi-electronics.com)



<https://www.DiGi-Electronics.com>

DiGi Electronics Part Number	UCC2809D-2-DG
Manufacturer	<a href="#">Texas Instruments</a>
Manufacturer Product Number	UCC2809D-2
Description	IC OFFLINE SWITCH MULT TOP 8SOIC
Detailed Description	Converter Offline Boost, Flyback, Forward Topology 1MHz 8-SOIC

This model UCC2809D-2 is available at DiGi Electronics.

DiGi Electronics offers a global database of semiconductor and electronic component datasheets.

We welcome your inquiries regarding pricing, lead time, or other product-related questions.

 [Request a Quote](#)

 [Datasheet Search](#)



Tel: +00 852-30501935

RFQ Email: [Info@DiGi-Electronics.com](mailto:Info@DiGi-Electronics.com)

DiGi is a global authorized distributor of electronic components.

## Purchase and inquiry

Manufacturer Product Number:

UCC2809D-2

Series:

-

Output Isolation:

Isolated

Voltage - Breakdown:

-

Voltage - Start Up:

10 V

Duty Cycle:

70%

Fault Protection:

-

Operating Temperature:

-55°C ~ 150°C (Tj)

Supplier Device Package:

8-SOIC

Base Product Number:

UCC2809

Manufacturer:

Texas Instruments

Product Status:

Active

Internal Switch(s):

No

Topology:

Boost, Flyback, Forward

Voltage - Supply (Vcc/Vdd):

8V ~ 19V

Frequency - Switching:

1MHz

Control Features:

Frequency Control, Soft Start

Package / Case:

8-SOIC (0.154", 3.90mm Width)

Mounting Type:

Surface Mount

## Environmental & Export classification

RoHS Status:

ROHS3 Compliant

REACH Status:

REACH Unaffected

HTSUS:

8542.39.0001

Moisture Sensitivity Level (MSL):

1 (Unlimited)

ECCN:

EAR99

## Economy Primary Side Controller

### FEATURES

- User Programmable Soft Start With Active Low Shutdown
- User Programmable Maximum Duty Cycle
- Accessible 5V Reference
- Undervoltage Lockout
- Operation to 1MHz
- 0.4A Source/0.8A Sink FET Driver
- Low 100 $\mu$ A Startup Current

PART NUMBER	TURN ON THRESHOLD	TURN OFF THRESHOLD
UCCX809-1	10V	8V
UCCX809-2	15V	8V

### DESCRIPTION

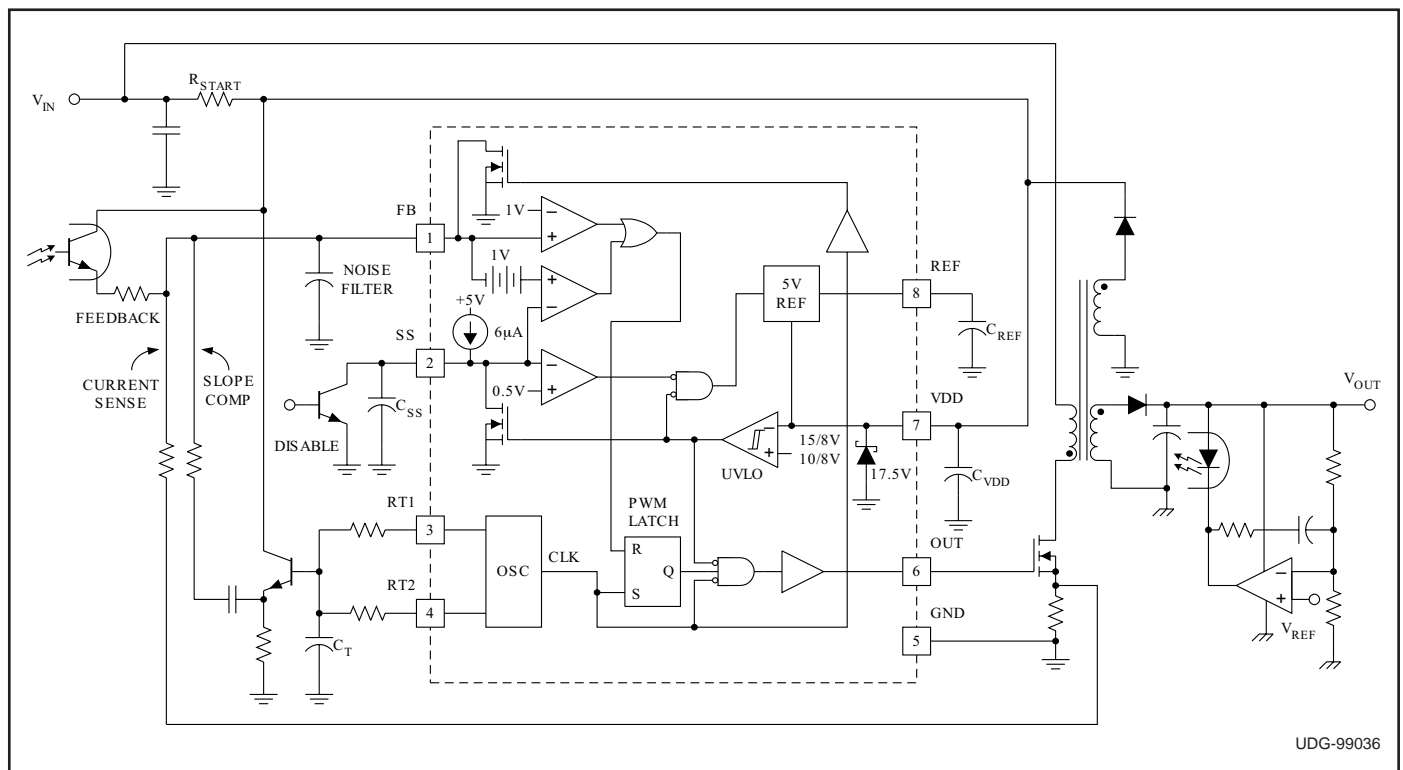
The UCC3809 family of BCDMOS economy low power integrated circuits contains all the control and drive circuitry required for off-line and isolated DC-to-DC fixed frequency current mode switching power supplies with minimal external parts count. Internally implemented circuits include undervoltage lockout featuring startup current less than 100 $\mu$ A, a user accessible voltage reference, logic to ensure latched operation, a PWM comparator, and a totem pole output stage to sink or source peak current. The output stage, suitable for driving N-Channel MOSFETs, is low in the off state.

Oscillator frequency and maximum duty cycle are programmed with two resistors and a capacitor. The UCC3809 family also features full cycle soft start.

The family has UVLO thresholds and hysteresis levels for off-line and DC-to-DC systems as shown in the table to the left.

The UCC3809 and the UCC2809 are offered in the 8 pin SOIC (D), PDIP (N), TSSOP (PW), and MSOP (P) packages. The small TSSOP and MSOP packages make the device ideal for applications where board space and height are at a premium.

### TYPICAL APPLICATION DIAGRAM



**ABSOLUTE MAXIMUM RATINGS\***

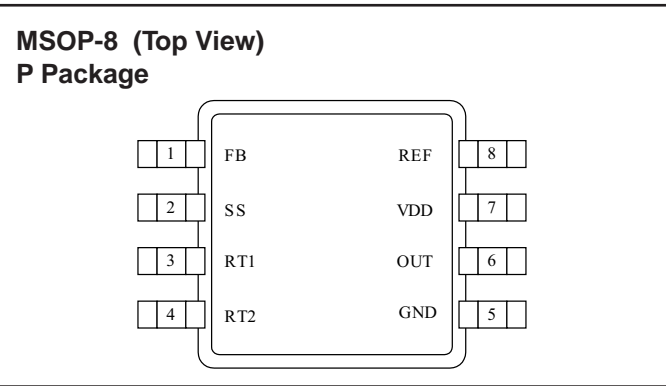
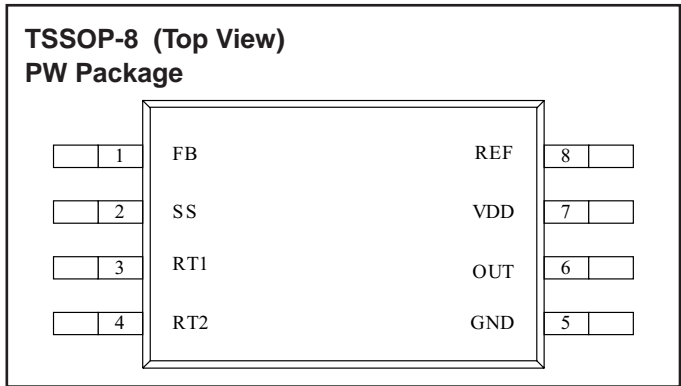
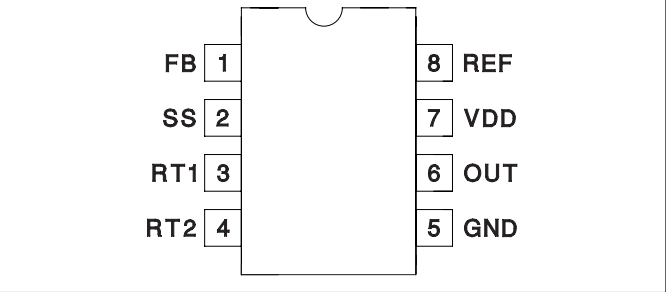
VDD..... 19V  
 I<sub>VDD</sub>..... 25mA  
 I<sub>OUT</sub> (tpw < 1μs and Duty Cycle < 10%)..... -0.4A to 0.8A  
 RT1, RT2, SS..... -0.3V to REF + 0.3V  
 I<sub>REF</sub>..... -15mA  
 Storage Temperature..... -65°C to +150°C  
 Junction Temperature..... -55°C to +150°C  
 Lead Temperature (Soldering, 10 sec.)..... +300°C

\* Values beyond which damage may occur.

All voltages are with respect to ground unless otherwise stated. Currents are positive into, negative out of the specified terminal. Consult Packaging Section of Databook for thermal limitations and considerations of packages.

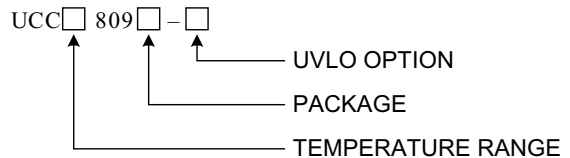
**CONNECTION DIAGRAM**

**SOIC-8, DIL-8 (Top View)  
 D, N and J Packages**



	Temperature Range	Available Packages
UCC1809-X	-55°C to +125°C	J
UCC2809-X	-40°C to +85°C	N, D, P, PW
UCC3809-X	0°C to +70°C	N, D, P, PW

**ORDERING INFORMATION**



**ELECTRICAL CHARACTERISTICS** Unless otherwise specified, C<sub>VREF</sub> = 0.47 μF, VDD = 12V. T<sub>A</sub> = T<sub>J</sub>.

PARAMETER	TEST CONDITIONS	MIN	TYP	MAX	UNIT
<b>Supply Section</b>					
VDD Clamp	I <sub>VDD</sub> = 10mA	16	17.5	19	V
I <sub>VDD</sub>	No Load		600	900	μA
I <sub>VDD</sub> Starting	(Note 1)		110		μA
I <sub>VDD</sub> Standby	UCCx809-1, VDD = Start Threshold - 300mV		110	125	μA
	UCCx809-2, VDD = Start Threshold - 300mV		130	170	μA
<b>Undervoltage Lockout Section</b>					
Start Threshold (UCCx809-1)		9.4		10.4	V
UVLO Hysteresis (UCCx809-1)		1.65			V
Start Threshold (UCCx809-2)		14.0		15.6	V
UVLO Hysteresis (UCCx809-2)		6.2			V
<b>Voltage Reference Section</b>					
Output Voltage	I <sub>REF</sub> = 0mA	4.75	5	5.25	V
Line Regulation	VDD = 10V to 15V		2		mV
Load Regulation	I <sub>REF</sub> = 0mA to 5mA		2		mV
<b>Comparator Section</b>					
I <sub>FB</sub>	Output Off		-100		nA
Comparator Threshold		0.9	0.95	1	V
OUT Propagation Delay (No Load)	V <sub>FB</sub> = 0.8V to 1.2V at T <sub>R</sub> = 10ns		50	100	ns

**ELECTRICAL CHARACTERISTICS** Unless otherwise specified,  $C_{VREF} = 0.47 \mu\text{F}$ ,  $V_{DD} = 12\text{V}$ ,  $T_A = T_J$ .

PARAMETER	TEST CONDITIONS	MIN	TYP	MAX	UNIT
<b>Soft Start Section</b>					
I <sub>SS</sub>	VDD = 16V, V <sub>SS</sub> = 0V; -40°C to +85°C	-4.9	-7.0	-9.1	μA
	VDD = 16V, V <sub>SS</sub> = 0V; < -40°C; > +85°C	-4.0	-7.0	-10.0	μA
V <sub>SS</sub> Low	VDD = 7.5V, I <sub>SS</sub> = 200μA			0.2	V
Shutdown Threshold		0.44	0.48	0.52	V
<b>Oscillator Section</b>					
Frequency	RT1 = 10k, RT2 = 4.32k, C <sub>T</sub> = 820pF	90	100	110	kHz
Frequency Change with Voltage	VDD = 10V to 15V		0.1		%/V
C <sub>T</sub> Peak Voltage			3.33		V
C <sub>T</sub> Valley Voltage			1.67		V
C <sub>T</sub> Peak to Peak Voltage		1.54	1.67	1.80	V
<b>Output Section</b>					
Output V <sub>SAT</sub> Low	I <sub>OUT</sub> = 80mA (dc)		0.8	1.5	V
Output V <sub>SAT</sub> High	I <sub>OUT</sub> = -40mA (dc), VDD - OUT		0.8	1.5	V
Output Low Voltage During UVLO	I <sub>OUT</sub> = 20mA (dc)			1.5	V
Minimum Duty Cycle	V <sub>FB</sub> = 2V		0		%
Maximum Duty Cycle			70		%
Rise Time	C <sub>OUT</sub> = 1nF		35		ns
Fall Time	C <sub>OUT</sub> = 1nF		18		ns

Note 1. Ensured by design. Not 100% production tested.

## PIN DESCRIPTIONS

**FB:** This pin is the summing node for current sense feedback, voltage sense feedback (by optocoupler) and slope compensation. Slope compensation is derived from the rising voltage at the timing capacitor and can be buffered with an external small signal NPN transistor. External high frequency filter capacitance applied from this node to GND is discharged by an internal 250Ω on resistance NMOS FET during PWM off time and offers effective leading edge blanking set by the RC time constant of the feedback resistance from current sense resistor to FB input and the high frequency filter capacitor capacitance at this node to GND.

**GND:** Reference ground and power ground for all functions.

**OUT:** This pin is the high current power driver output. A minimum series gate resistor of 3.9Ω is recommended to limit the gate drive current when operating with high bias voltages.

**REF:** The internal 5V reference output. This reference is buffered and is available on the REF pin. REF should be bypassed with a 0.47μF ceramic capacitor.

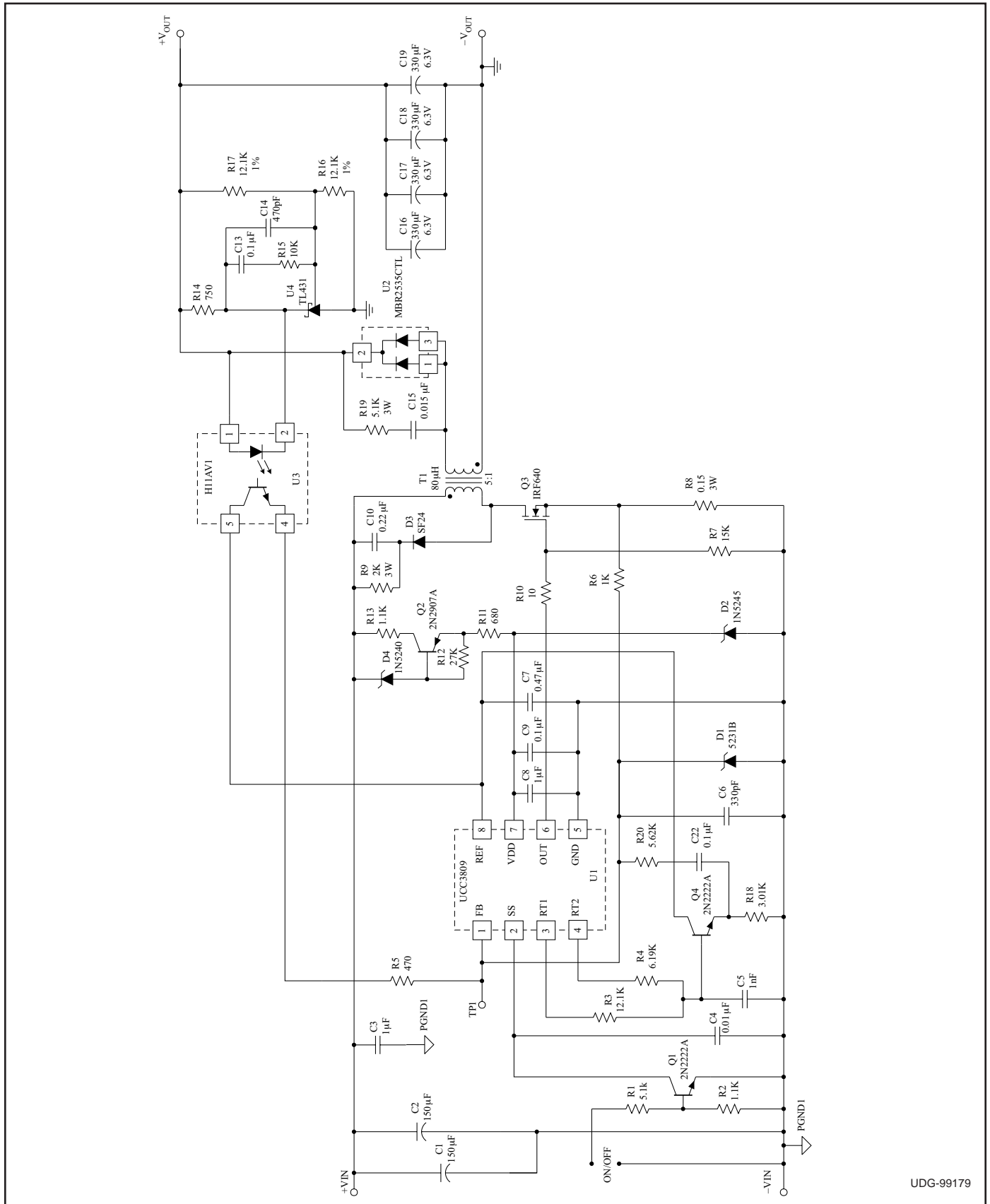
**RT1:** This pin connects to timing resistor RT1 and controls the positive ramp time of the internal oscillator ( $T_r = 0.74 \cdot (C_T + 27\text{pF}) \cdot RT1$ ). The positive threshold of the internal oscillator is sensed through inactive timing resistor RT2 which connects to pin RT2 and timing capacitor C<sub>T</sub>.

**RT2:** This pin connects to timing resistor RT2 and controls the negative ramp time of the internal oscillator ( $T_f = 0.74 \cdot (C_T + 27\text{pF}) \cdot RT2$ ). The negative threshold of the internal oscillator is sensed through inactive timing resistor RT1 which connects to pin RT1 and timing capacitor C<sub>T</sub>.

**SS:** This pin serves two functions. The soft start timing capacitor connects to SS and is charged by an internal 6μA current source. Under normal soft start SS is discharged to at least 0.4V and then ramps positive to 1V during which time the output driver is held low. As SS charges from 1V to 2V soft start is implemented by an increasing output duty cycle. If SS is taken below 0.5V, the output driver is inhibited and held low. The user accessible 5V voltage reference also goes low and I<sub>VDD</sub> < 100μA.

**VDD:** The power input connection for this device. This pin is shunt regulated at 17.5V which is sufficiently below the voltage rating of the DMOS output driver stage. VDD should be bypassed with a 1μF ceramic capacitor.

APPLICATION INFORMATION



UDG-99179

Figure 1. Isolated 50W flyback converter utilizing the UCC3809. The switching frequency is 70kHz,  $V_{in} = -32V$  to  $-72V$ ,  $V_{out} = +5V$ ,  $I_{out} = 0A$  to  $10A$

## APPLICATION INFORMATION (cont.)

The Typical Application Diagram shows an isolated flyback converter utilizing the UCC3809. Note that the capacitors  $C_{REF}$  and  $C_{VDD}$  are local decoupling capacitors for the reference and IC input voltage, respectively. Both capacitors should be low ESR and ESL ceramic, placed as close to the IC pins as possible, and returned directly to the ground pin of the chip for best stability. REF provides the internal bias to many of the IC functions and  $C_{REF}$  should be at least  $0.47\mu\text{F}$  to prevent REF from drooping.

### FB Pin

The basic premise of the UCC3809 is that the voltage sense feedback signal originates from an optocoupler that is modulated by an external error amplifier located on the secondary side. This signal is summed with the current sense signal and any slope compensation at the FB pin and compared to a 1V threshold, as shown in the Typical Application Diagram. Crossing this 1V threshold resets the PWM latch and modulates the output driver on-time much like the current sense comparator used in the UC3842. In the absence of a FB signal, the output will follow the programmed maximum on-time of the oscillator.

When adding slope compensation, it is important to use a small capacitor to AC couple the oscillator waveform before summing this signal into the FB pin. By correctly selecting the emitter resistor of the optocoupler, the voltage sense signal can force the FB node to exceed the 1V threshold when the output that is being compared exceeds a desired level. Doing so drives the UCC3809 to zero percent duty cycle.

### Oscillator

The following equation sets the oscillator frequency:

$$F_{OSC} = [0.74 \cdot (CT + 27\text{pF}) \cdot (RT1 + RT2)]^{-1}$$

$$D_{MAX} = 0.74 \cdot RT1 \cdot (CT + 27\text{pF}) \cdot F_{OSC}$$

Referring to Figure 2 and the waveforms in Figure 3, when Q1 is on, CT charges via the  $R_{DS(on)}$  of Q1 and RT1. During this charging process, the voltage of CT is sensed through RT2. The S input of the oscillator latch, S(OSC), is level sensitive, so crossing the upper threshold (set at  $2/3 V_{REF}$  or 3.33V for a typical 5.0V reference) sets the Q output (CLK signal) of the oscillator latch high. A high CLK signal results in turning off Q1 and turning on Q2. CT now discharges through RT2 and the  $R_{DS(on)}$  of Q2. CT discharges from 3.33V to the lower threshold (set at  $1/3 V_{REF}$  or 1.67V for a typical 5.0V

reference) sensed through RT1. The R input to the oscillator latch, R(OSC), is also level sensitive and resets the CLK signal low when CT crosses the 1.67V threshold, turning off Q2 and turning on Q1, initiating another charging cycle.

Figure 3 shows the waveforms associated with the oscillator latch and the PWM latch (shown in the Typical Application Diagram). A high CLK signal not only initiates a discharge cycle for CT, it also turns on the internal NMOS FET on the FB pin causing any external capacitance used for leading edge blanking connected to this pin to be discharged to ground. By discharging any external capacitor completely to ground during the external switch's off-time, the noise immunity of the converter is enhanced allowing the user to design in smaller RC components for leading edge blanking. A high CLK signal also sets the level sensitive S input of the PWM latch, S(PWM), high, resulting in a high output, Q(PWM), as shown in Figure 3. This Q(PWM) signal will remain high until a reset signal, R(PWM) is received. A high R(PWM) signal results from the FB signal crossing the 1V threshold, or during soft start or if the SS pin is disabled.

Assuming the UVLO threshold is satisfied, the OUT signal of the IC will be high as long as Q(PWM) is high and S(PWM), also referred to as CLK, is low. The OUT signal will be dominated by the FB signal as long as the FB signal trips the 1V threshold while CLK is low. If the FB signal does not cross the 1V threshold while CLK is low, the OUT signal will be dominated by the maximum duty cycle programmed by the user. Figure 3 illustrates the various waveforms for a design set up for a maximum duty cycle of 70%.

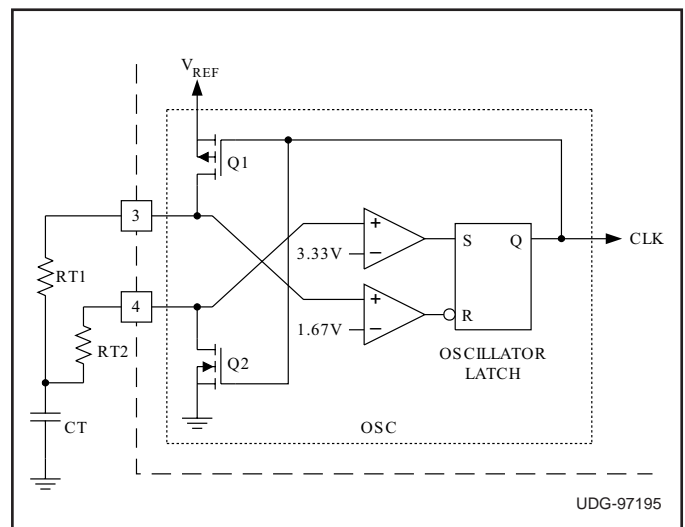


Figure 2. UCC3809 oscillator.

## APPLICATION INFORMATION (cont.)

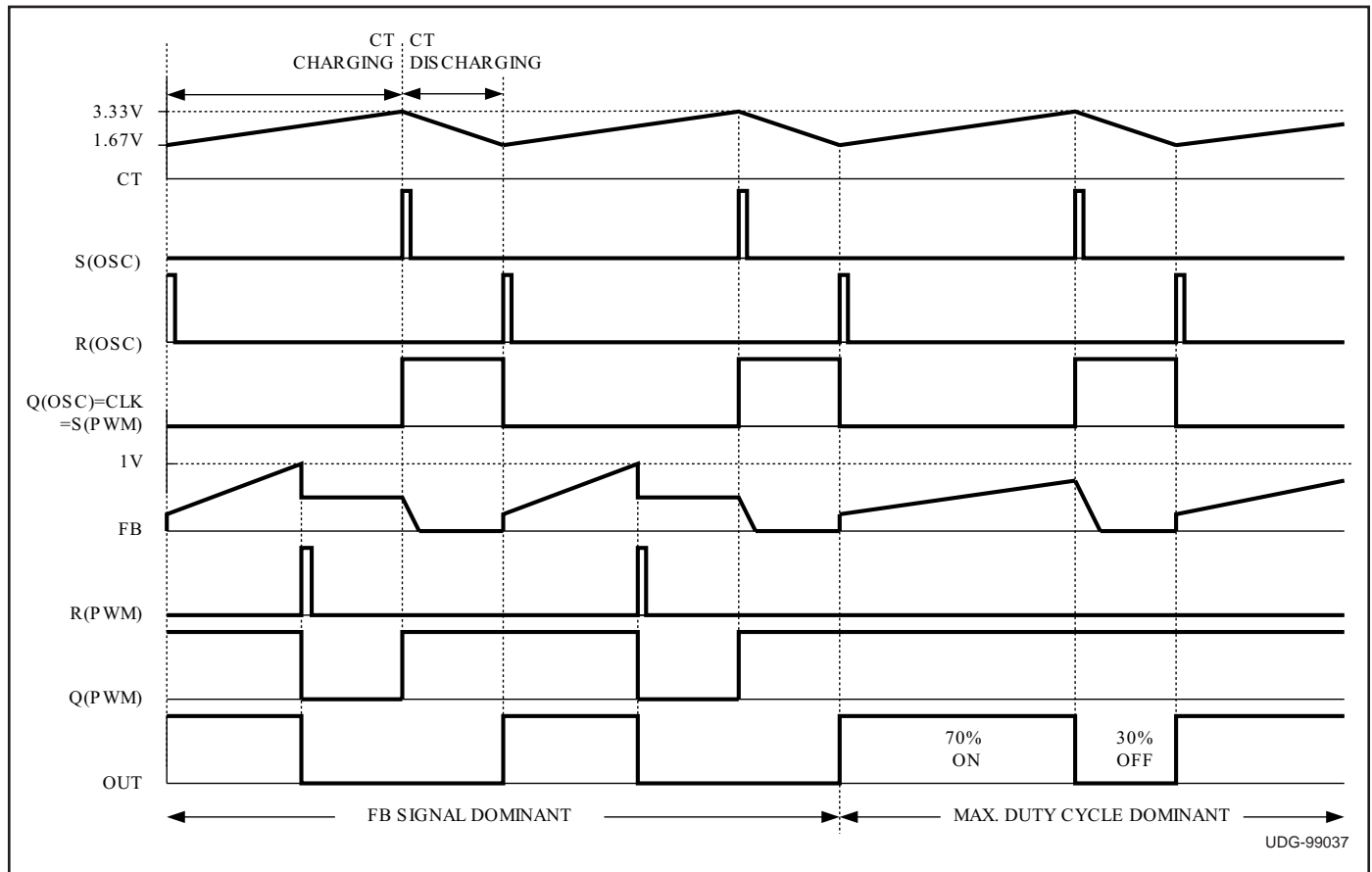
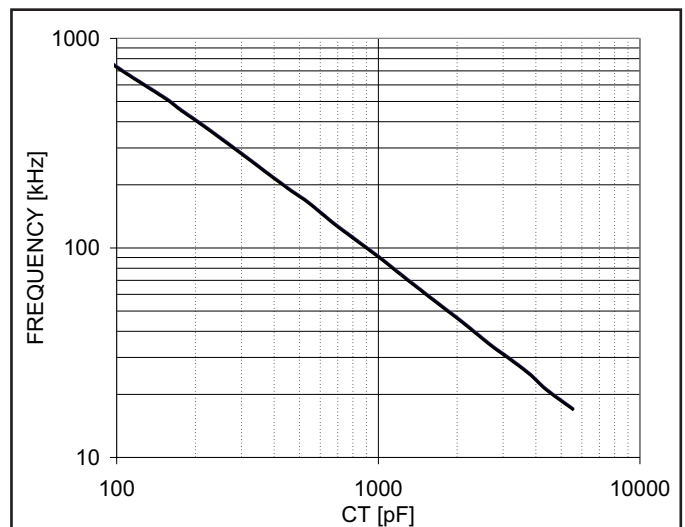


Figure 3. Waveforms associated with the oscillator latch and the PWM latch.

The recommended value for  $C_T$  is 1nF for frequencies in the 100 kHz or less range and smaller  $C_T$  for higher frequencies. The minimum recommended values of  $RT1$  and  $RT2$  are 10k $\Omega$  and 4.32k $\Omega$ , respectively. Using these values maintains a ratio of at least 20:1 between the  $R_{DS(on)}$  of the internal FETs and the external timing resistors, resulting in minimal change in frequency over temperature. Because of the oscillator's susceptibility to capacitive coupling, examine the oscillator frequency by looking at the common  $RT1$ - $RT2$ - $C_T$  node on the circuit board as opposed to looking at pins 3 and 4 directly. For good noise immunity,  $RT1$  and  $RT2$  should be placed as close to pins 3 and 4 of the IC as possible.  $C_T$  should be returned directly to the ground pin of the IC with minimal stray inductance and capacitance.

Figure 4. Oscillator frequency vs.  $C_T$  ( $RT1 = 10k$ ,  $RT2 = 4.32k$ )

## APPLICATION INFORMATION (cont.)

### Synchronization

Both of the synchronization schemes shown in Figure 5 can be successfully implemented with the internal oscillator of the UCC3809. Both schemes allow access to the timing ramp needed for slope compensation and have minimal impact on the programmed maximum duty cycle. In the absence of a sync pulse, the PWM controller will run independently at the frequency set by RT1, RT2, and CT. This free running frequency must be approximately 15 to 20% lower than the sync pulse frequency to insure the free running oscillator does not cross the comparator threshold before the desired sync pulse.

Option I uses the synchronization pulse to pull pin 3 low, triggering the internal 1.67V comparator to reset the RS latch and initiate a charging cycle. The valley voltage of the CT waveform is higher when synchronized using this configuration, decreasing the ramp charge and discharge times, thereby increasing the operating frequency; otherwise the overall shape of the CT voltage waveform is un-

changed.

Option II uses the synchronization pulse to superimpose the sync voltage onto the peak of the CT waveform. This triggers the internal 3.33V comparator, initiating a discharge cycle. The sync pulse is summed with the free running oscillator waveform at the CT node, resulting in a spike on top of the CT peak voltage.

### ADDITIONAL INFORMATION

Please refer to the following Unitorde application topics for additional information.

[1] Application Note U-165, Design Review: Isolated 50W Flyback Converter with the UCC3809 Primary Side Controller by Lisa Dinwoodie.

[2] Design Note DN-89, Comparing the UC3842, UCC3802, and UCC3809 Primary Side PWM Controllers by Lisa Dinwoodie.

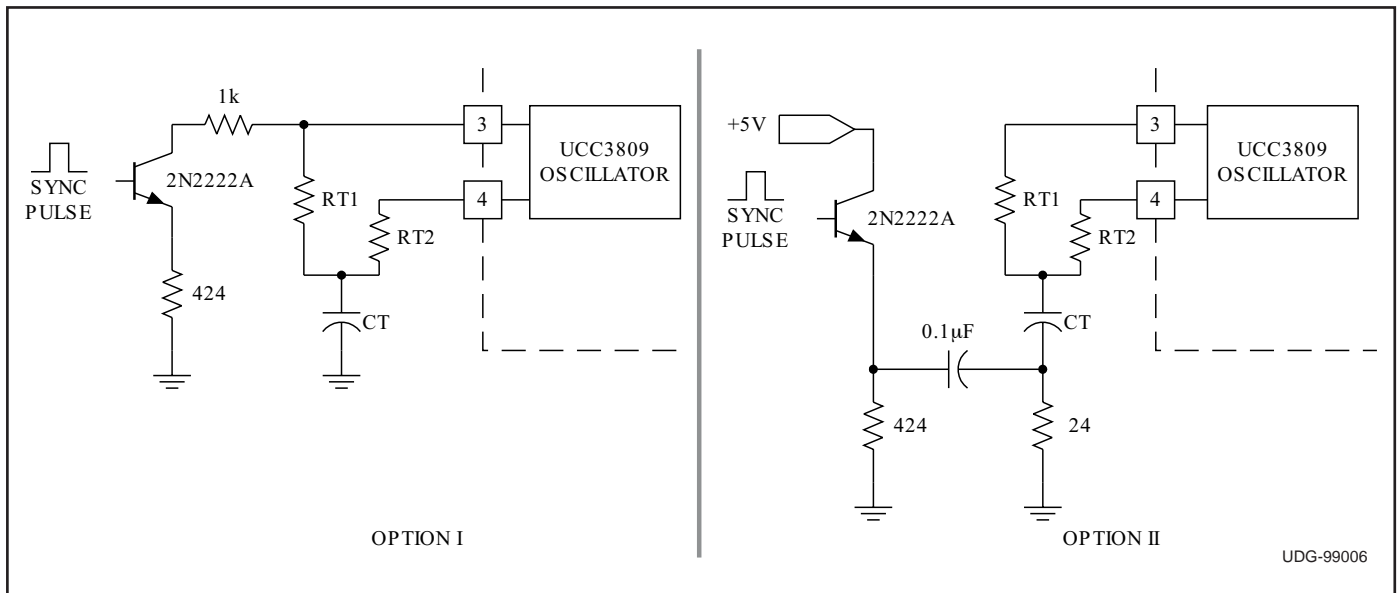


Figure 5. UCC3809 synchronization options.

**TYPICAL CHARACTERISTICS CURVES**

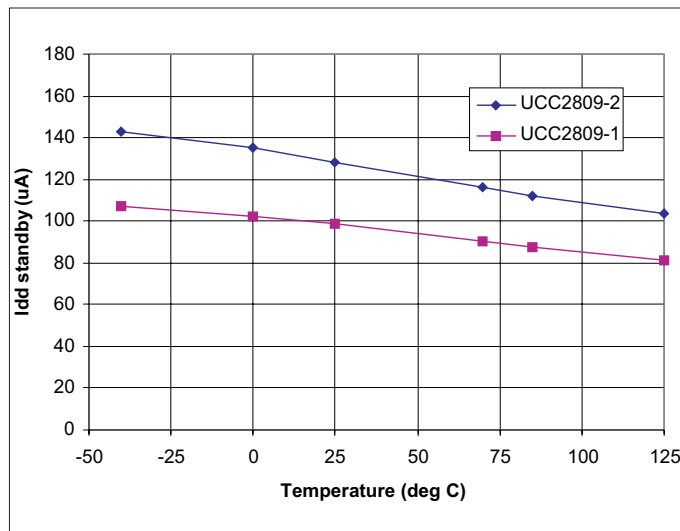


Figure 6. I<sub>DD</sub> (standby) vs. temperature.

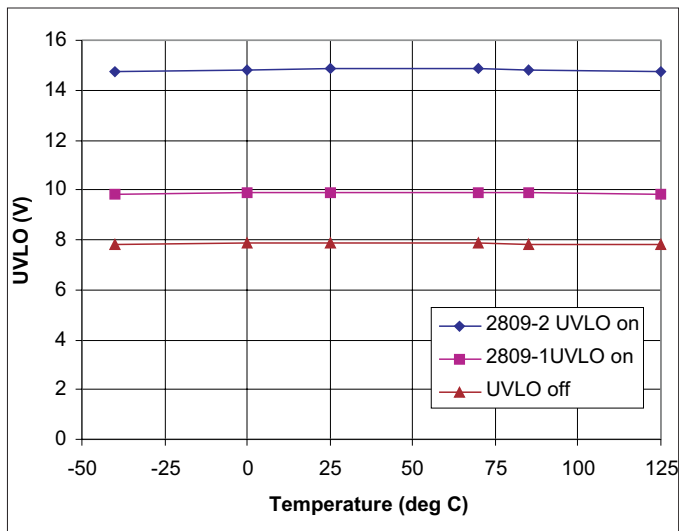


Figure 7. UVLO vs. temperature.

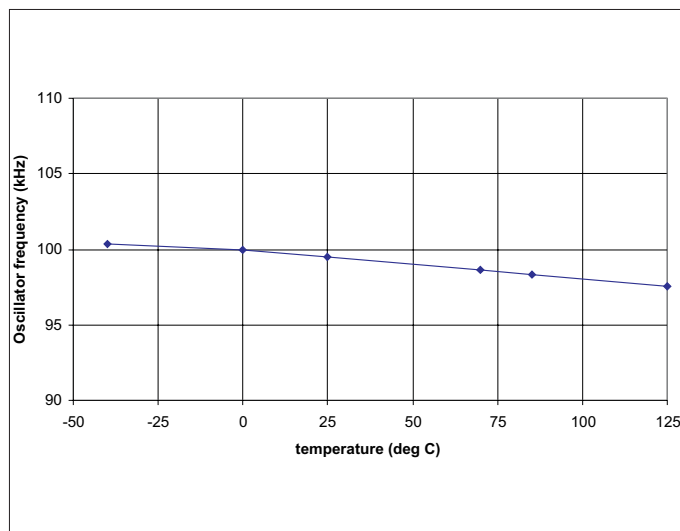


Figure 8. Oscillator frequency vs. temperature.

**REVISION HISTORY**

REV. B 11/04

Added I<sub>vdd</sub> Stand-by Current specifications in the Electrical Characteristics table.

Modified I<sub>vdd</sub> Starting specifications in the Electrical Characteristics table.

Added Typical Characteristics Curves for I<sub>DD</sub>(Standby), UVLO thresholds, and Oscillator Frequency.

**PACKAGING INFORMATION**

Orderable Device	Status (1)	Package Type	Package Drawing	Pins	Package Qty	Eco Plan (2)	Lead finish/ Ball material (6)	MSL Peak Temp (3)	Op Temp (°C)	Device Marking (4/5)	Samples
UCC2809D-1	ACTIVE	SOIC	D	8	75	RoHS & Green	NIPDAU	Level-1-260C-UNLIM	-40 to 85	2809-1 D-1	<a href="#">Samples</a>
UCC2809D-2	ACTIVE	SOIC	D	8	75	RoHS & Green	NIPDAU	Level-1-260C-UNLIM	-40 to 85	2809-2 D-2	<a href="#">Samples</a>
UCC2809DTR-1	ACTIVE	SOIC	D	8	2500	RoHS & Green	NIPDAU	Level-1-260C-UNLIM	-40 to 85	2809-1 D-1	<a href="#">Samples</a>
UCC2809DTR-2	ACTIVE	SOIC	D	8	2500	RoHS & Green	NIPDAU	Level-1-260C-UNLIM	-40 to 85	2809-2 D-2	<a href="#">Samples</a>
UCC2809P-1	ACTIVE	VSSOP	DGK	8	80	RoHS & Green	NIPDAUAG	Level-2-260C-1 YEAR	-40 to 85	28091	<a href="#">Samples</a>
UCC2809P-2	ACTIVE	VSSOP	DGK	8	80	RoHS & Green	NIPDAUAG	Level-2-260C-1 YEAR	-40 to 85	28092	<a href="#">Samples</a>
UCC2809PTR-1	ACTIVE	VSSOP	DGK	8	2500	RoHS & Green	NIPDAUAG   SN	Level-2-260C-1 YEAR	-40 to 85	28091	<a href="#">Samples</a>
UCC2809PTR-1G4	ACTIVE	VSSOP	DGK	8	2500	RoHS & Green	NIPDAUAG	Level-2-260C-1 YEAR	-40 to 85	28091	<a href="#">Samples</a>
UCC2809PTR-2	ACTIVE	VSSOP	DGK	8	2500	RoHS & Green	NIPDAUAG   SN	Level-2-260C-1 YEAR	-40 to 85	28092	<a href="#">Samples</a>
UCC2809PW-1	ACTIVE	TSSOP	PW	8	150	RoHS & Green	NIPDAU	Level-2-260C-1 YEAR	-40 to 85	28091	<a href="#">Samples</a>
UCC2809PW-2	ACTIVE	TSSOP	PW	8	150	RoHS & Green	NIPDAU	Level-2-260C-1 YEAR	-40 to 85	28092	<a href="#">Samples</a>
UCC2809PWTR-1	ACTIVE	TSSOP	PW	8	2000	RoHS & Green	NIPDAU	Level-2-260C-1 YEAR	-40 to 85	28091	<a href="#">Samples</a>
UCC3809D-1	ACTIVE	SOIC	D	8	75	RoHS & Green	NIPDAU	Level-1-260C-UNLIM	0 to 70	3809-1 D-1	<a href="#">Samples</a>
UCC3809D-2	ACTIVE	SOIC	D	8	75	RoHS & Green	NIPDAU	Level-1-260C-UNLIM	0 to 70	3809-2 D-2	<a href="#">Samples</a>
UCC3809DTR-1	ACTIVE	SOIC	D	8	2500	RoHS & Green	NIPDAU	Level-1-260C-UNLIM	0 to 70	(3809-1, UCC3809) D-1	<a href="#">Samples</a>
UCC3809DTR-1G4	ACTIVE	SOIC	D	8	2500	RoHS & Green	NIPDAU	Level-1-260C-UNLIM	0 to 70	(3809-1, UCC3809) D-1	<a href="#">Samples</a>
UCC3809DTR-2	ACTIVE	SOIC	D	8	2500	RoHS & Green	NIPDAU	Level-1-260C-UNLIM	0 to 70	3809-2 D-2	<a href="#">Samples</a>
UCC3809P-1	ACTIVE	VSSOP	DGK	8	80	RoHS & Green	NIPDAUAG	Level-2-260C-1 YEAR	0 to 70	38091	<a href="#">Samples</a>

Orderable Device	Status (1)	Package Type	Package Drawing	Pins	Package Qty	Eco Plan (2)	Lead finish/ Ball material (6)	MSL Peak Temp (3)	Op Temp (°C)	Device Marking (4/5)	Samples
UCC3809P-2	ACTIVE	VSSOP	DGK	8	80	RoHS & Green	NIPDAUAG	Level-2-260C-1 YEAR	0 to 70	38092	<a href="#">Samples</a>
UCC3809PTR-1	ACTIVE	VSSOP	DGK	8	2500	RoHS & Green	NIPDAUAG   SN	Level-2-260C-1 YEAR	0 to 70	38091	<a href="#">Samples</a>
UCC3809PTR-2	ACTIVE	VSSOP	DGK	8	2500	RoHS & Green	NIPDAUAG	Level-2-260C-1 YEAR		38092	<a href="#">Samples</a>
UCC3809PW-2	ACTIVE	TSSOP	PW	8	150	RoHS & Green	NIPDAU	Level-2-260C-1 YEAR	0 to 70	38092	<a href="#">Samples</a>

(1) The marketing status values are defined as follows:

**ACTIVE:** Product device recommended for new designs.

**LIFEBUY:** TI has announced that the device will be discontinued, and a lifetime-buy period is in effect.

**NRND:** Not recommended for new designs. Device is in production to support existing customers, but TI does not recommend using this part in a new design.

**PREVIEW:** Device has been announced but is not in production. Samples may or may not be available.

**OBSELETE:** TI has discontinued the production of the device.

(2) **RoHS:** TI defines "RoHS" to mean semiconductor products that are compliant with the current EU RoHS requirements for all 10 RoHS substances, including the requirement that RoHS substance do not exceed 0.1% by weight in homogeneous materials. Where designed to be soldered at high temperatures, "RoHS" products are suitable for use in specified lead-free processes. TI may reference these types of products as "Pb-Free".

**RoHS Exempt:** TI defines "RoHS Exempt" to mean products that contain lead but are compliant with EU RoHS pursuant to a specific EU RoHS exemption.

**Green:** TI defines "Green" to mean the content of Chlorine (Cl) and Bromine (Br) based flame retardants meet JS709B low halogen requirements of <=1000ppm threshold. Antimony trioxide based flame retardants must also meet the <=1000ppm threshold requirement.

(3) MSL, Peak Temp. - The Moisture Sensitivity Level rating according to the JEDEC industry standard classifications, and peak solder temperature.

(4) There may be additional marking, which relates to the logo, the lot trace code information, or the environmental category on the device.

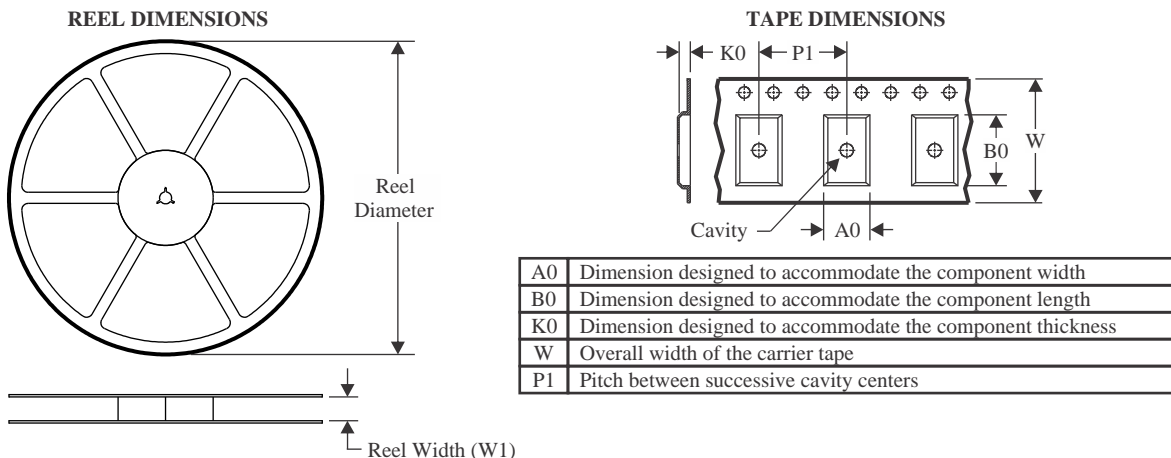
(5) Multiple Device Markings will be inside parentheses. Only one Device Marking contained in parentheses and separated by a "~" will appear on a device. If a line is indented then it is a continuation of the previous line and the two combined represent the entire Device Marking for that device.

(6) Lead finish/Ball material - Orderable Devices may have multiple material finish options. Finish options are separated by a vertical ruled line. Lead finish/Ball material values may wrap to two lines if the finish value exceeds the maximum column width.

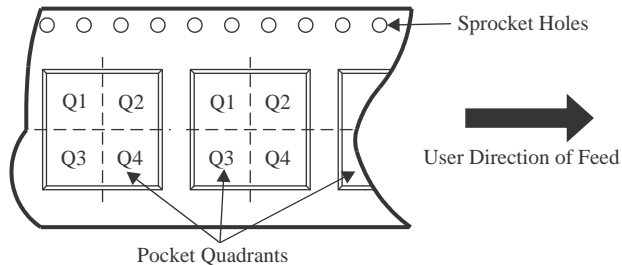
**Important Information and Disclaimer:**The information provided on this page represents TI's knowledge and belief as of the date that it is provided. TI bases its knowledge and belief on information provided by third parties, and makes no representation or warranty as to the accuracy of such information. Efforts are underway to better integrate information from third parties. TI has taken and continues to take reasonable steps to provide representative and accurate information but may not have conducted destructive testing or chemical analysis on incoming materials and chemicals. TI and TI suppliers consider certain information to be proprietary, and thus CAS numbers and other limited information may not be available for release.

In no event shall TI's liability arising out of such information exceed the total purchase price of the TI part(s) at issue in this document sold by TI to Customer on an annual basis.

## TAPE AND REEL INFORMATION



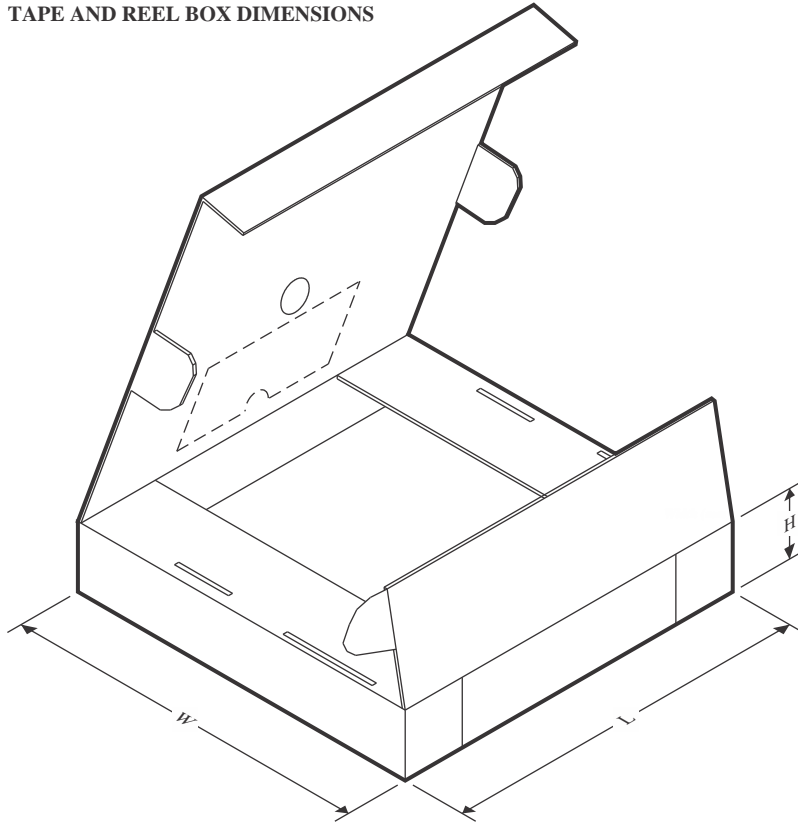
### QUADRANT ASSIGNMENTS FOR PIN 1 ORIENTATION IN TAPE



\*All dimensions are nominal

Device	Package Type	Package Drawing	Pins	SPQ	Reel Diameter (mm)	Reel Width W1 (mm)	A0 (mm)	B0 (mm)	K0 (mm)	P1 (mm)	W (mm)	Pin1 Quadrant
UCC2809DTR-1	SOIC	D	8	2500	330.0	12.4	6.4	5.2	2.1	8.0	12.0	Q1
UCC2809DTR-2	SOIC	D	8	2500	330.0	12.4	6.4	5.2	2.1	8.0	12.0	Q1
UCC2809PTR-1	VSSOP	DGK	8	2500	330.0	12.4	5.3	3.4	1.4	8.0	12.0	Q1
UCC2809PTR-1G4	VSSOP	DGK	8	2500	330.0	12.4	5.3	3.4	1.4	8.0	12.0	Q1
UCC2809PTR-2	VSSOP	DGK	8	2500	330.0	12.4	5.25	3.35	1.25	8.0	12.0	Q1
UCC2809PWTR-1	TSSOP	PW	8	2000	330.0	12.4	7.0	3.6	1.6	8.0	12.0	Q1
UCC3809DTR-1	SOIC	D	8	2500	330.0	12.4	6.4	5.2	2.1	8.0	12.0	Q1
UCC3809DTR-2	SOIC	D	8	2500	330.0	12.4	6.4	5.2	2.1	8.0	12.0	Q1
UCC3809PTR-1	VSSOP	DGK	8	2500	330.0	12.4	5.25	3.35	1.25	8.0	12.0	Q1
UCC3809PTR-2	VSSOP	DGK	8	2500	330.0	12.4	5.3	3.4	1.4	8.0	12.0	Q1

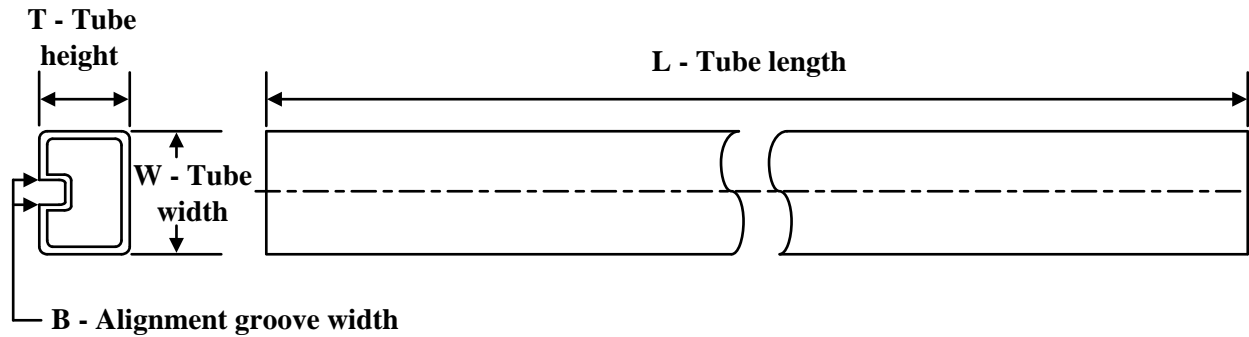
## TAPE AND REEL BOX DIMENSIONS



\*All dimensions are nominal

Device	Package Type	Package Drawing	Pins	SPQ	Length (mm)	Width (mm)	Height (mm)
UCC2809DTR-1	SOIC	D	8	2500	353.0	353.0	32.0
UCC2809DTR-2	SOIC	D	8	2500	353.0	353.0	32.0
UCC2809PTR-1	VSSOP	DGK	8	2500	366.0	364.0	50.0
UCC2809PTR-1G4	VSSOP	DGK	8	2500	366.0	364.0	50.0
UCC2809PTR-2	VSSOP	DGK	8	2500	366.0	364.0	50.0
UCC2809PWTR-1	TSSOP	PW	8	2000	356.0	356.0	35.0
UCC3809DTR-1	SOIC	D	8	2500	353.0	353.0	32.0
UCC3809DTR-2	SOIC	D	8	2500	353.0	353.0	32.0
UCC3809PTR-1	VSSOP	DGK	8	2500	366.0	364.0	50.0
UCC3809PTR-2	VSSOP	DGK	8	2500	366.0	364.0	50.0

## TUBE



\*All dimensions are nominal

Device	Package Name	Package Type	Pins	SPQ	L (mm)	W (mm)	T (μm)	B (mm)
UCC2809D-1	D	SOIC	8	75	507	8	3940	4.32
UCC2809D-2	D	SOIC	8	75	507	8	3940	4.32
UCC2809P-1	DGK	VSSOP	8	80	330	6.55	500	2.88
UCC2809P-2	DGK	VSSOP	8	80	330	6.55	500	2.88
UCC2809P-2	DGK	VSSOP	8	80	330.2	6.6	3005	1.88
UCC2809PW-1	PW	TSSOP	8	150	508	8.5	3250	2.8
UCC2809PW-2	PW	TSSOP	8	150	508	8.5	3250	2.8
UCC3809D-1	D	SOIC	8	75	507	8	3940	4.32
UCC3809D-2	D	SOIC	8	75	507	8	3940	4.32
UCC3809P-1	DGK	VSSOP	8	80	330	6.55	500	2.88
UCC3809P-2	DGK	VSSOP	8	80	330	6.55	500	2.88
UCC3809PW-2	PW	TSSOP	8	150	508	8.5	3250	2.8

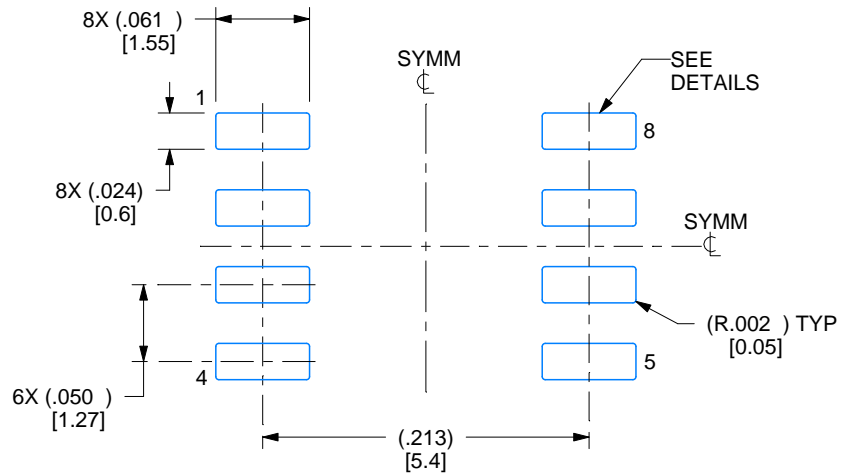


# EXAMPLE BOARD LAYOUT

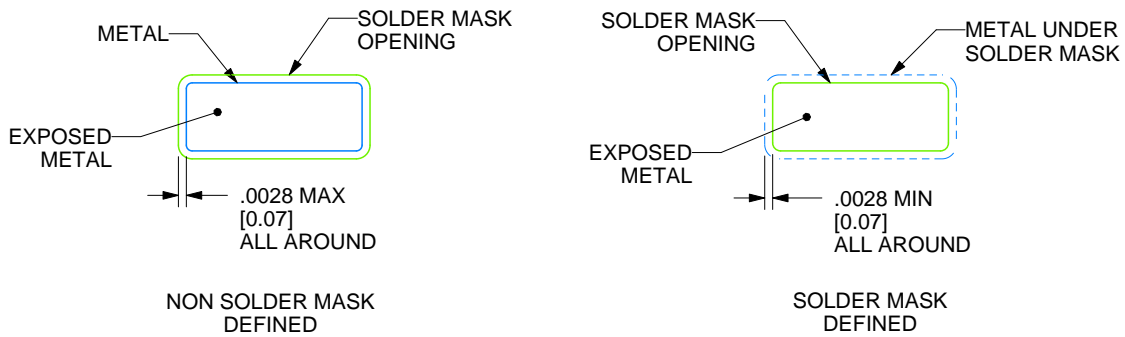
**D0008A**

**SOIC - 1.75 mm max height**

SMALL OUTLINE INTEGRATED CIRCUIT



**LAND PATTERN EXAMPLE**  
 EXPOSED METAL SHOWN  
 SCALE:8X



**SOLDER MASK DETAILS**

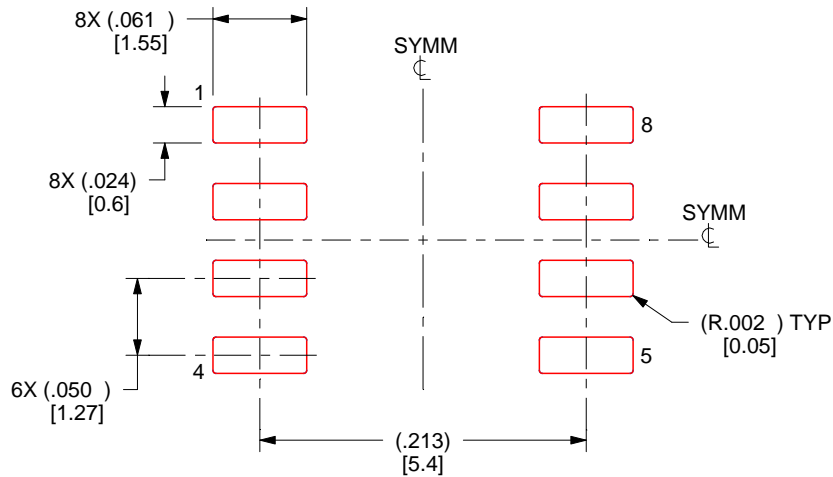
4214825/C 02/2019

NOTES: (continued)

- 6. Publication IPC-7351 may have alternate designs.
- 7. Solder mask tolerances between and around signal pads can vary based on board fabrication site.

**EXAMPLE STENCIL DESIGN****D0008A****SOIC - 1.75 mm max height**

SMALL OUTLINE INTEGRATED CIRCUIT



**SOLDER PASTE EXAMPLE**  
 BASED ON .005 INCH [0.125 MM] THICK STENCIL  
 SCALE:8X

4214825/C 02/2019

NOTES: (continued)

8. Laser cutting apertures with trapezoidal walls and rounded corners may offer better paste release. IPC-7525 may have alternate design recommendations.
9. Board assembly site may have different recommendations for stencil design.

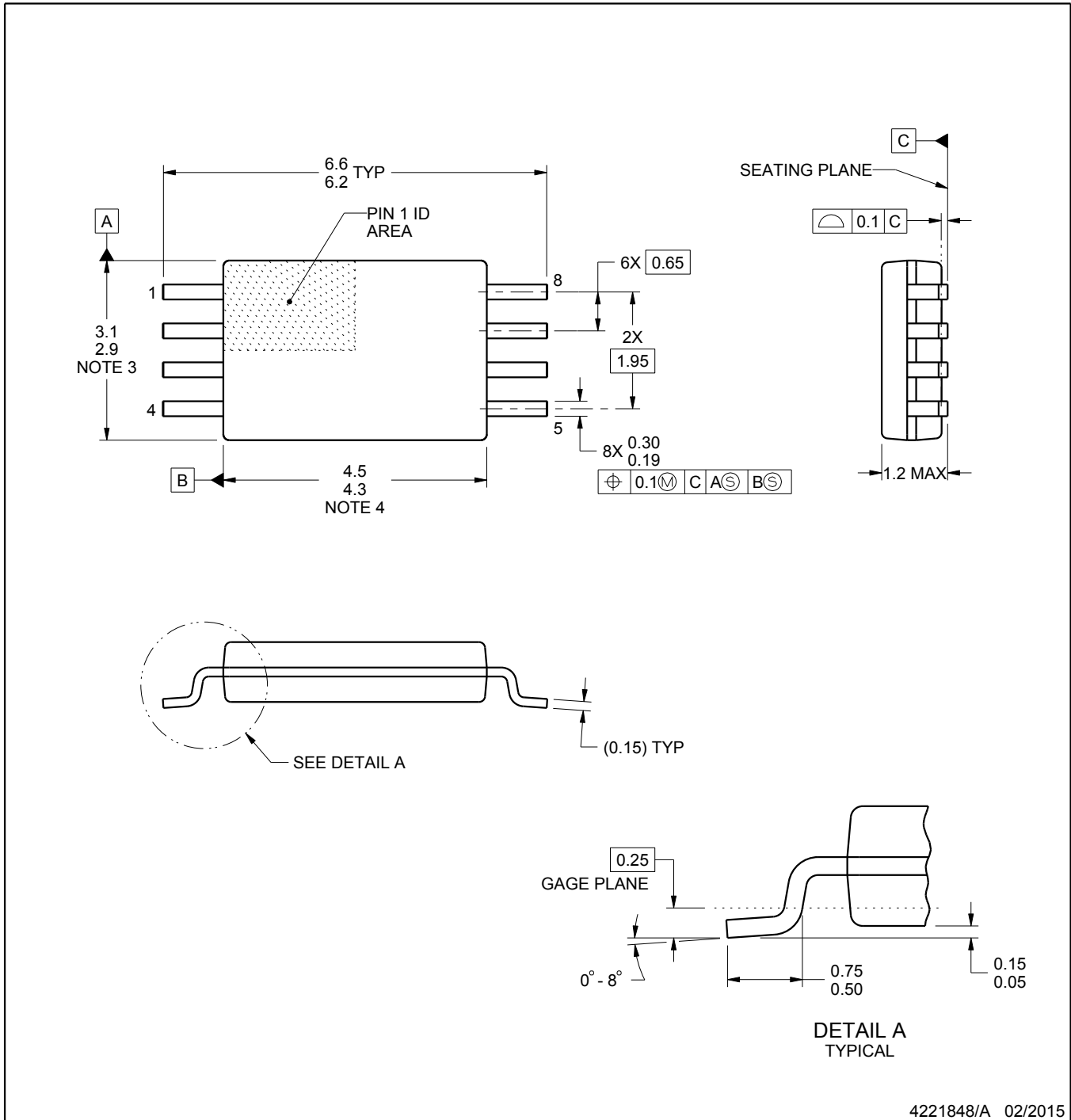


**PW0008A**

**PACKAGE OUTLINE**

**TSSOP - 1.2 mm max height**

SMALL OUTLINE PACKAGE



4221848/A 02/2015

**NOTES:**

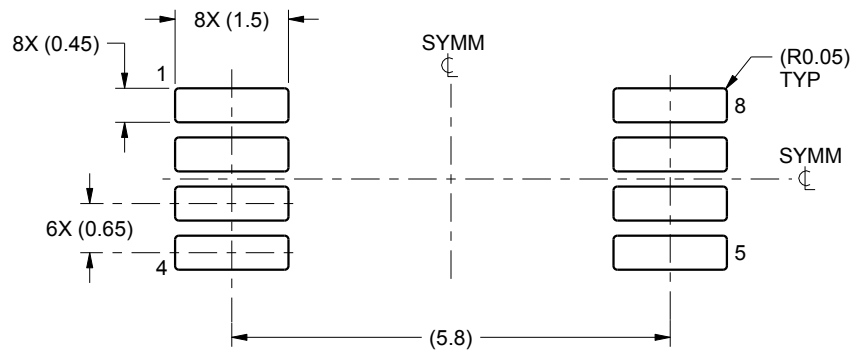
1. All linear dimensions are in millimeters. Any dimensions in parenthesis are for reference only. Dimensioning and tolerancing per ASME Y14.5M.
2. This drawing is subject to change without notice.
3. This dimension does not include mold flash, protrusions, or gate burrs. Mold flash, protrusions, or gate burrs shall not exceed 0.15 mm per side.
4. This dimension does not include interlead flash. Interlead flash shall not exceed 0.25 mm per side.
5. Reference JEDEC registration MO-153, variation AA.

# EXAMPLE BOARD LAYOUT

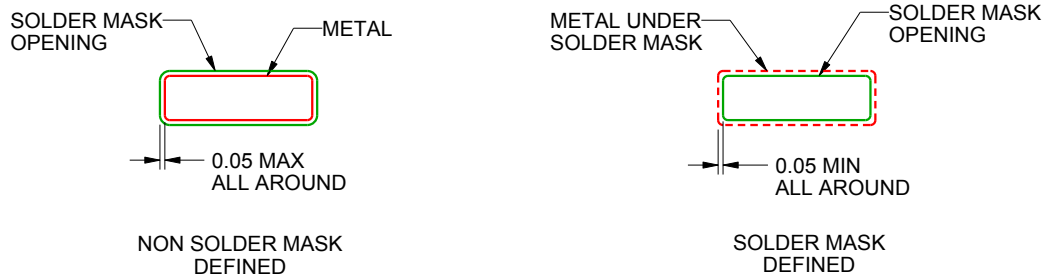
**PW0008A**

**TSSOP - 1.2 mm max height**

SMALL OUTLINE PACKAGE



LAND PATTERN EXAMPLE  
SCALE:10X



SOLDER MASK DETAILS  
NOT TO SCALE

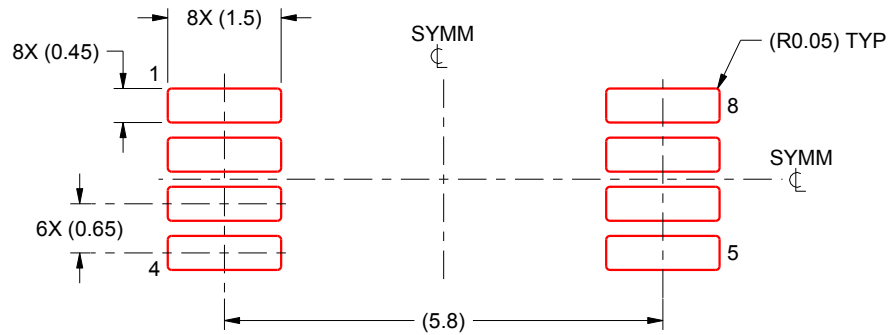
4221848/A 02/2015

NOTES: (continued)

- 6. Publication IPC-7351 may have alternate designs.
- 7. Solder mask tolerances between and around signal pads can vary based on board fabrication site.

**EXAMPLE STENCIL DESIGN****PW0008A****TSSOP - 1.2 mm max height**

SMALL OUTLINE PACKAGE



**SOLDER PASTE EXAMPLE**  
 BASED ON 0.125 mm THICK STENCIL  
 SCALE:10X

4221848/A 02/2015

NOTES: (continued)

8. Laser cutting apertures with trapezoidal walls and rounded corners may offer better paste release. IPC-7525 may have alternate design recommendations.
9. Board assembly site may have different recommendations for stencil design.

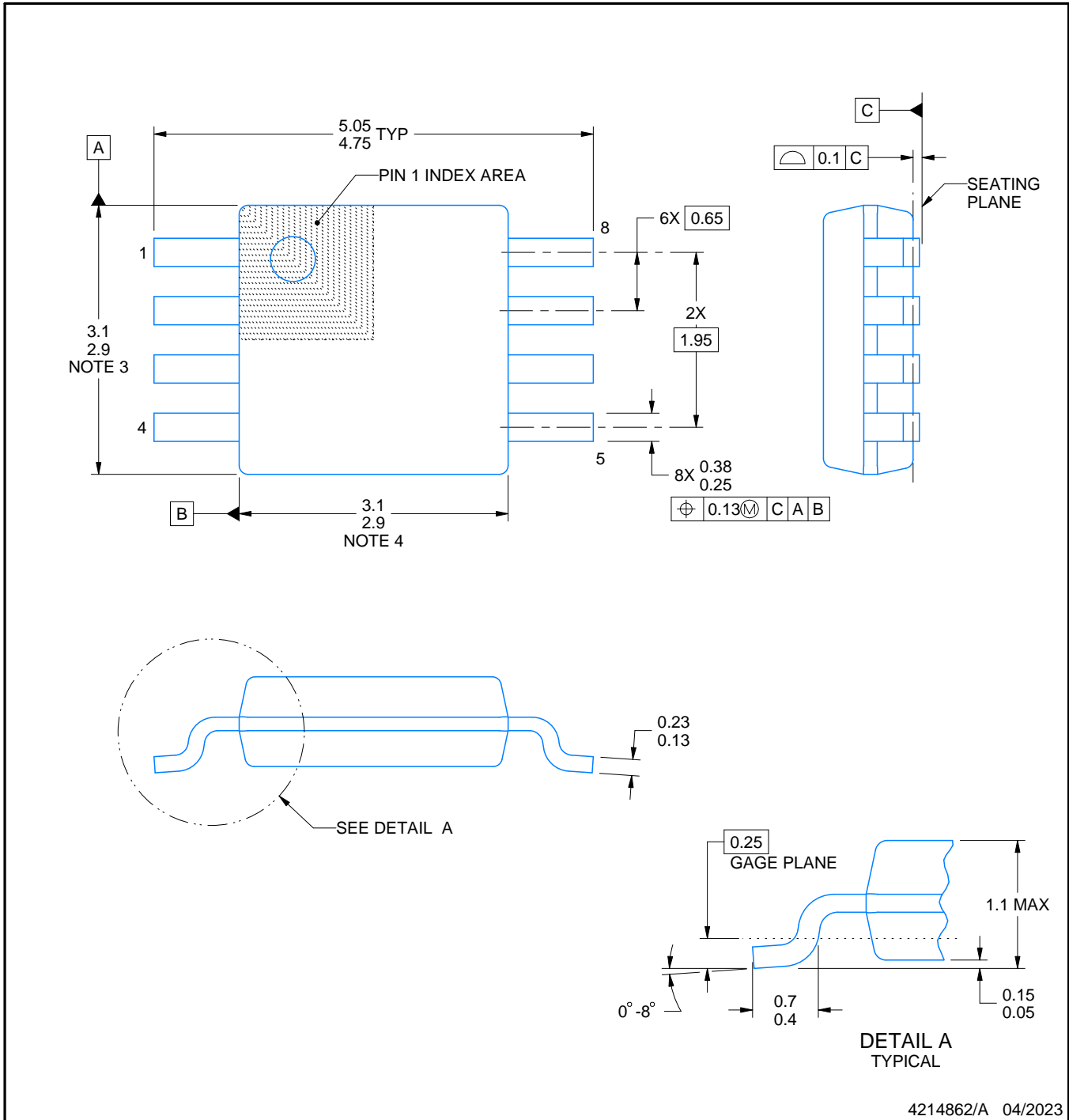


# DGK0008A

# PACKAGE OUTLINE

VSSOP - 1.1 mm max height

SMALL OUTLINE PACKAGE



**NOTES:**

PowerPAD is a trademark of Texas Instruments.

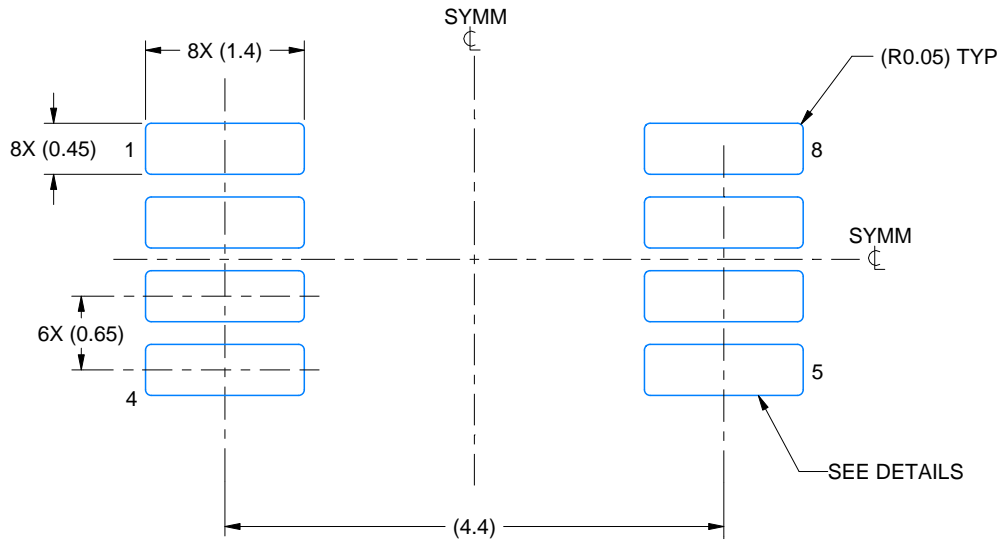
1. All linear dimensions are in millimeters. Any dimensions in parenthesis are for reference only. Dimensioning and tolerancing per ASME Y14.5M.
2. This drawing is subject to change without notice.
3. This dimension does not include mold flash, protrusions, or gate burrs. Mold flash, protrusions, or gate burrs shall not exceed 0.15 mm per side.
4. This dimension does not include interlead flash. Interlead flash shall not exceed 0.25 mm per side.
5. Reference JEDEC registration MO-187.

# EXAMPLE BOARD LAYOUT

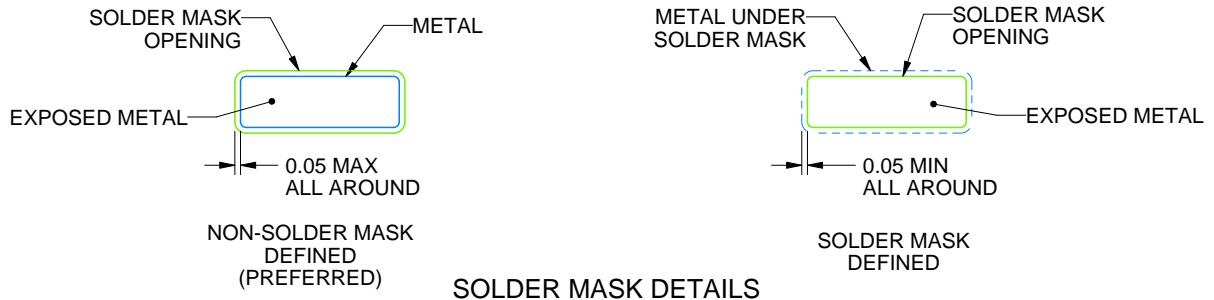
DGK0008A

<sup>TM</sup> VSSOP - 1.1 mm max height

SMALL OUTLINE PACKAGE



LAND PATTERN EXAMPLE  
EXPOSED METAL SHOWN  
SCALE: 15X



SOLDER MASK DETAILS

4214862/A 04/2023

NOTES: (continued)

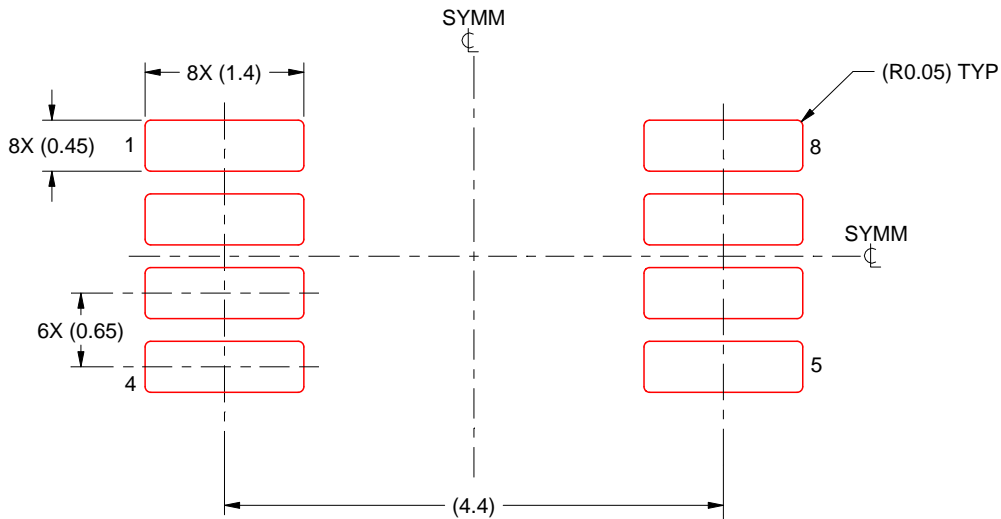
6. Publication IPC-7351 may have alternate designs.
7. Solder mask tolerances between and around signal pads can vary based on board fabrication site.
8. Vias are optional depending on application, refer to device data sheet. If any vias are implemented, refer to their locations shown on this view. It is recommended that vias under paste be filled, plugged or tented.
9. Size of metal pad may vary due to creepage requirement.

# EXAMPLE STENCIL DESIGN

DGK0008A

<sup>TM</sup> VSSOP - 1.1 mm max height

SMALL OUTLINE PACKAGE



SOLDER PASTE EXAMPLE  
SCALE: 15X

4214862/A 04/2023

NOTES: (continued)

- 11. Laser cutting apertures with trapezoidal walls and rounded corners may offer better paste release. IPC-7525 may have alternate design recommendations.
- 12. Board assembly site may have different recommendations for stencil design.

## IMPORTANT NOTICE AND DISCLAIMER

TI PROVIDES TECHNICAL AND RELIABILITY DATA (INCLUDING DATA SHEETS), DESIGN RESOURCES (INCLUDING REFERENCE DESIGNS), APPLICATION OR OTHER DESIGN ADVICE, WEB TOOLS, SAFETY INFORMATION, AND OTHER RESOURCES "AS IS" AND WITH ALL FAULTS, AND DISCLAIMS ALL WARRANTIES, EXPRESS AND IMPLIED, INCLUDING WITHOUT LIMITATION ANY IMPLIED WARRANTIES OF MERCHANTABILITY, FITNESS FOR A PARTICULAR PURPOSE OR NON-INFRINGEMENT OF THIRD PARTY INTELLECTUAL PROPERTY RIGHTS.

These resources are intended for skilled developers designing with TI products. You are solely responsible for (1) selecting the appropriate TI products for your application, (2) designing, validating and testing your application, and (3) ensuring your application meets applicable standards, and any other safety, security, regulatory or other requirements.

These resources are subject to change without notice. TI grants you permission to use these resources only for development of an application that uses the TI products described in the resource. Other reproduction and display of these resources is prohibited. No license is granted to any other TI intellectual property right or to any third party intellectual property right. TI disclaims responsibility for, and you will fully indemnify TI and its representatives against, any claims, damages, costs, losses, and liabilities arising out of your use of these resources.

TI's products are provided subject to [TI's Terms of Sale](#) or other applicable terms available either on [ti.com](https://www.ti.com) or provided in conjunction with such TI products. TI's provision of these resources does not expand or otherwise alter TI's applicable warranties or warranty disclaimers for TI products.

TI objects to and rejects any additional or different terms you may have proposed.

Mailing Address: Texas Instruments, Post Office Box 655303, Dallas, Texas 75265  
Copyright © 2024, Texas Instruments Incorporated

## OUR CERTIFICATE

DiGi provide top-quality products and perfect service for customer worldwide through standardization, technological innovation and continuous improvement. DiGi through third-party certification, we strictly control the quality of products and services. Welcome your RFQ to

Email: [Info@DiGi-Electronics.com](mailto:Info@DiGi-Electronics.com)



Tel: +00 852-30501935

RFQ Email: [Info@DiGi-Electronics.com](mailto:Info@DiGi-Electronics.com)

DiGi is a global authorized distributor of electronic components.