

1267AY-680M=P3 Datasheet

www.digi-electronics.com



<https://www.DiGi-Electronics.com>

DiGi Electronics Part Number	1267AY-680M=P3-DG
Manufacturer	Murata Electronics
Manufacturer Product Number	1267AY-680M=P3
Description	FIXED IND 68UH 1.3A 240 MOHM SMD
Detailed Description	68 μ H Shielded Drum Core, Wirewound Inductor 1.3 A 240mOhm Max Nonstandard



Tel: +00 852-30501935

RFQ Email: Info@DiGi-Electronics.com

DiGi is a global authorized distributor of electronic components.

Purchase and inquiry

Manufacturer Product Number:

1267AY-680M=P3

Series:

DG8040C

Type:

Drum Core, Wirewound

Inductance:

68 μ H

Current Rating (Amps):

1.3 A

Shielding:

Shielded

Q @ Freq:

-

Ratings:

-

Inductance Frequency - Test:

100 kHz

Package / Case:

Nonstandard

Size / Dimension:

0.327" L x 0.327" W (8.30mm x 8.30mm)

Base Product Number:

1267AY

Manufacturer:

Murata Electronics

Product Status:

Active

Material - Core:

Ferrite

Tolerance:

\pm 20%

Current - Saturation (Isat):

-

DC Resistance (DCR):

240mOhm Max

Frequency - Self Resonant:

-

Operating Temperature:

-

Mounting Type:

Surface Mount

Supplier Device Package:

-

Height - Seated (Max):

0.157" (4.00mm)

Environmental & Export classification

RoHS Status:

ROHS3 Compliant

REACH Status:

REACH Unaffected

HTSUS:

8504.50.4000

Moisture Sensitivity Level (MSL):

1 (Unlimited)

ECCN:

EAR99

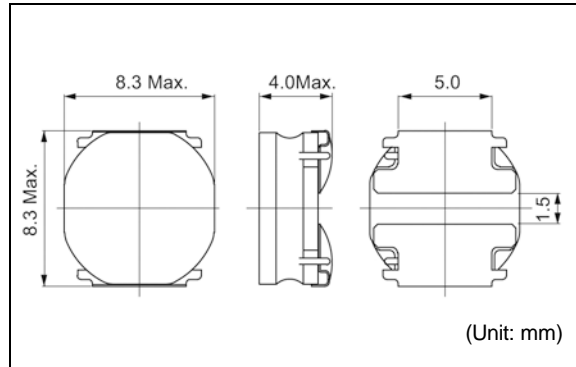
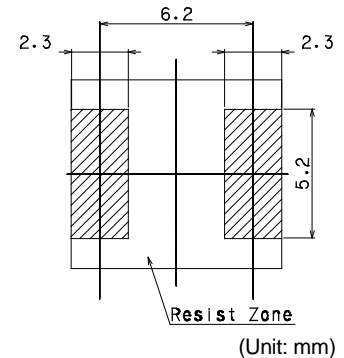
DG8040C

Inductance Range: 1.0~100μH

 85
 °C

RoHS

REACH


Recommended patterns
 推荐焊盘尺寸

FEATURES 特点

- Magnetic Shield.
- Ideal for a variety of DC-DC converter inductor applications.
- Operating temperature range : -40~+85°C
- 闭磁路构造
- 最适用于各种设备的DC-DC Converter 中
- 使用温度范围: -40~+85°C

STANDARD PART NUMBERS 标准零件号码
TYPE DG8040C (Quantity/reel; 1000 PCS)

零件号码	电感值 ⁽¹⁾	公差	测试频率	最大直流电阻 ⁽²⁾	最大电感值减小电流 ⁽³⁾	最大温度上升电流 ⁽³⁾
Part Number	Inductance ⁽¹⁾ L(μH)	Tolerance (%)	Test Frequency (MHz)	DC Resistance ⁽²⁾ mΩ Max. (Typ.)	Inductance Decrease Current ⁽³⁾ (A) Max. (Typ.) ΔL/L=30%	Temperature Rise Current ⁽³⁾ ΔT=40°C (A) Max. (Typ.)
1267AY-1R0N=P3	1.0	±30	100	8.4 (7)	10.4 (13.8)	8.4 (9.9)
1267AY-1R5N=P3	1.5	±30	100	10.8 (9)	8.2 (10.9)	7.3 (8.6)
1267AY-2R2N=P3	2.2	±30	100	13.2 (11)	7.4 (9.8)	6.5 (7.7)
1267AY-3R3N=P3	3.3	±30	100	15.6 (13)	6.1 (8.1)	6.1 (7.2)
1267AY-4R7N=P3	4.7	±30	100	20.4 (17)	5.1 (6.8)	5.3 (6.2)
1267AY-6R8N=P3	6.8	±30	100	26.4 (22)	4.0 (5.3)	4.5 (5.3)
1267AY-100M=P3	10	±20	100	39.6 (33)	3.3 (4.5)	3.9 (4.5)
1267AY-150M=P3	15	±20	100	58.8 (49)	2.6 (3.5)	3.2 (3.8)
1267AY-220M=P3	22	±20	100	74.4 (62)	2.3 (3.0)	2.8 (3.2)
1267AY-330M=P3	33	±20	100	120.0 (100)	1.9 (2.5)	2.2 (2.6)
1267AY-470M=P3	47	±20	100	168.0 (140)	1.6 (2.1)	1.9 (2.2)
1267AY-680M=P3	68	±20	100	240.0 (200)	1.3 (1.7)	1.6 (1.9)
1267AY-101M=P3	100	±20	100	336.0 (280)	1.1 (1.4)	1.3 (1.5)

(1) Inductance is measured with a LCR meter 4284A (Agilent Technologies) or equivalent.
Test frequency at 100kHz

(2) DC resistance is measured with 34420A (Agilent Technologies) or 3541 (HIOKI). (Reference ambient temperature 25°C)

(3) Maximum allowable DC current is that which causes a 30% inductance reduction from the initial value, or coil temperature to rise by 40°C, whichever is smaller. (Reference ambient temperature 20°C)

(1) LCR仪表4284A (Agilent技术)或者功能相同的仪器在100kHz下测试电感值。

(2) 通过数码万用表34420A (Agilent技术) 或者3541(HIOKI)测试直流电阻。(环境温度为25°C)

(3) 允许最大直流电的范围是以下两者中比较小的一个: 引起电感值从最初值降低30%, 或者线圈温度升高40°C。(参考周围环境温度20°C)。

OUR CERTIFICATE

DiGi provide top-quality products and perfect service for customer worldwide through standardization, technological innovation and continuous improvement. DiGi through third-party certification, we stricly control the quality of products and services. Welcome your RFQ to
 Email: Info@DiGi-Electronics.com



Tel: +00 852-30501935

RFQ Email: Info@DiGi-Electronics.com

DiGi is a global authorized distributor of electronic components.