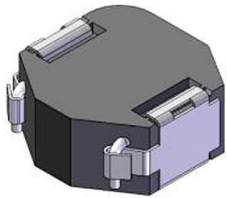


# DFEH12060D-100M=P3 Datasheet

[www.digi-electronics.com](http://www.digi-electronics.com)



<https://www.DiGi-Electronics.com>

DiGi Electronics Part Number	DFEH12060D-100M=P3-DG
Manufacturer	<a href="#">Murata Electronics</a>
Manufacturer Product Number	DFEH12060D-100M=P3
Description	FIXED IND 10UH 7.9A 20 MOHM SMD
Detailed Description	10 $\mu$ H Shielded Inductor 7.9 A 20mOhm Max Nonstandard



Tel: +00 852-30501935

RFQ Email: [Info@DiGi-Electronics.com](mailto:Info@DiGi-Electronics.com)

DiGi is a global authorized distributor of electronic components.

## Purchase and inquiry

Manufacturer Product Number:

DFEH12060D-100M=P3

Series:

DFEH12060D

Type:

-

Inductance:

10  $\mu$ H

Current Rating (Amps):

7.9 A

Shielding:

Shielded

Q @ Freq:

-

Ratings:

AEC-Q200

Inductance Frequency - Test:

100 MHz

Mounting Type:

Surface Mount

Supplier Device Package:

-

Height - Seated (Max):

0.236" (6.00mm)

Manufacturer:

Murata Electronics

Product Status:

Obsolete

Material - Core:

Iron Powder

Tolerance:

$\pm$ 20%

Current - Saturation (Isat):

8.8A

DC Resistance (DCR):

20mOhm Max

Frequency - Self Resonant:

-

Operating Temperature:

-40°C ~ 155°C

Features:

-

Package / Case:

Nonstandard

Size / Dimension:

0.512" L x 0.496" W (13.00mm x 12.60mm)

Base Product Number:

DFEH12060D

## Environmental & Export classification

RoHS Status:

ROHS3 Compliant

ECCN:

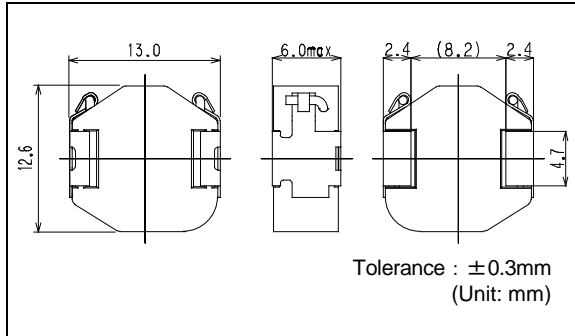
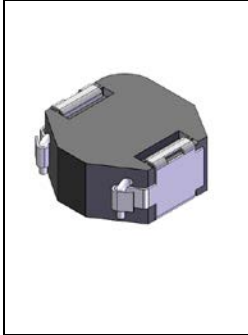
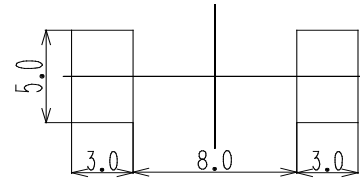
EAR99

Moisture Sensitivity Level (MSL):

1 (Unlimited)

HTSUS:

8504.50.8000

**DFEH12060D**
**AEC-Q200**
**RoHS**
**REACH**
**Inductance Range:** 1.0~22 $\mu$ H

**Recommended patterns**  
 推荐焊盘尺寸推奨


(Unit: mm)

**FEATURES 特点**

- 13.3 × 12.9mm square and 6.0mm Max. height.
- Magnetically shielded construction, low DC resistance.
- Suitable for large current
- The use of low loss iron powder ensure capability for high efficiency.
- Low audible core noise.
- Operating temperature : -40~+155°C
- AEC-Q200 compliant.
- 最大13.3 × 12.9毫米的平面，最大高度6.0毫米
- 磁性屏蔽结构，低直流电阻
- 适合于大电流
- 使用低损失铁系磁性粉保证高效率
- 低芯片噪音
- 使用温度范围：-40~+155°C
- 符合AEC-Q200

**STANDARD PART NUMBERS 标准零件号码**
**TYPE DFEH12060D (Quantity/reel; 500 PCS)**

零件号码	电感值 <sup>(1)</sup>	公差	测试频率	最大直流电阻 <sup>(2)</sup>	最大电感值减小电流 <sup>(3)</sup>	最大温度上升电流 <sup>(3)</sup>
Part Number	Inductance <sup>(1)</sup> L( $\mu$ H)	Tolerance (%)	Test Frequency (MHz)	DC Resistance <sup>(2)</sup> m $\Omega$ Max. (Typ.)	Inductance Decrease Current <sup>(3)</sup> (A) Max. (Typ.) $\Delta L/L=20\%$	Temperature Rise Current <sup>(3)</sup> $\Delta T=40^\circ\text{C}$ (A) Max. (Typ.)
DFEH12060D-1R0M=P3	1.0	$\pm 20$	100	2.9 (2.4)	19 (25)	20 (26)
DFEH12060D-1R5M=P3	1.5	$\pm 20$	100	3.6 (3.0)	17 (23)	17 (22)
DFEH12060D-2R2M=P3	2.2	$\pm 20$	100	4.4 (3.6)	16 (21)	16 (20)
DFEH12060D-3R3M=P3	3.3	$\pm 20$	100	6.3 (5.2)	14 (18)	13 (17)
DFEH12060D-4R7M=P3	4.7	$\pm 20$	100	11 (8.6)	11 (14)	10 (13)
DFEH12060D-5R6M=P3	5.6	$\pm 20$	100	11 (8.9)	10 (13)	10 (13)
DFEH12060D-6R8M=P3	6.8	$\pm 20$	100	14 (11)	8.3 (11)	9.0 (12)
DFEH12060D-8R2M=P3	8.2	$\pm 20$	100	17 (14)	8.3 (11)	8.0 (11)
DFEH12060D-100M=P3	10	$\pm 20$	100	20 (16)	6.6 (8.8)	7.9 (9.9)
DFEH12060D-150M=P3	15	$\pm 20$	100	28 (23)	5.6 (7.4)	6.6 (8.3)
DFEH12060D-220M=P3	22	$\pm 20$	100	35 (29)	4.9 (6.5)	6.0 (7.5)

(1) Inductance is measured with a LCR meter 4284A(Agilent Technologies) or equivalent. Test frequency at 100kHz

(2) DC resistance is measured with 34420A (Agilent Technologies) or 3541(HIOKI). (Reference ambient temperature 25°C)

(3) Maximum allowable DC current is that which causes a 20% inductance reduction from the initial value, coil temperature to rise by 40°C, whichever is smaller.  
(Reference ambient temperature 25°C)

(4) Absolute maximum voltage : 50VDC

(1) LCR仪表4284A (Agilent Technologies)或者功能相同的仪器在100kHz下测试电感值。

(2) 通过数码万用表34420A (Agilent Technologies)/ 3541(HIOKI)或者相类似的工具测试直流电阻。(环境温度为25°C)

(3) 允许最大直流电的范围是以下两者中比较小的一个：从开始值降低20%的电感值，或者线圈温度升高40°C。(参考周围环境温度25°C)。

(4) 绝对最高电压50伏特。

## OUR CERTIFICATE

DiGi provide top-quality products and perfect service for customer worldwide through standardization, technological innovation and continuous improvement. DiGi through third-party certification, we stricly control the quality of products and services. Welcome your RFQ to

Email: [Info@DiGi-Electronics.com](mailto:Info@DiGi-Electronics.com)



Tel: +00 852-30501935

RFQ Email: [Info@DiGi-Electronics.com](mailto:Info@DiGi-Electronics.com)

DiGi is a global authorized distributor of electronic components.