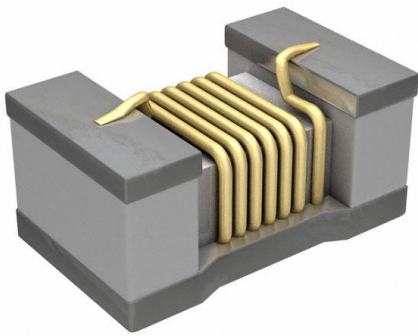


LQW15AN6N7J8ZD Datasheet

www.digi-electronics.com



<https://www.DiGi-Electronics.com>

| | |
|------------------------------|--|
| DiGi Electronics Part Number | LQW15AN6N7J8ZD-DG |
| Manufacturer | Murata Electronics |
| Manufacturer Product Number | LQW15AN6N7J8ZD |
| Description | FIXED IND 6.7NH 1.28A 0.078OHM |
| Detailed Description | 6.7 nH Unshielded Drum Core, Wirewound Inductor 1.28 A 78mOhm Max 0402 (1005 Metric) |



Tel: +00 852-30501935

RFQ Email: Info@DiGi-Electronics.com

DiGi is a global authorized distributor of electronic components.

Purchase and inquiry

Manufacturer Product Number:

LQW15AN6N7J8ZD

Series:

LQW15

Type:

Drum Core, Wirewound

Inductance:

6.7 nH

Current Rating (Amps):

1.28 A

Shielding:

Unshielded

Q @ Freq:

30 @ 250MHz

Ratings:

AEC-Q200

Inductance Frequency - Test:

100 MHz

Mounting Type:

Surface Mount

Supplier Device Package:

-

Height - Seated (Max):

0.024" (0.60mm)

Manufacturer:

Murata Electronics

Product Status:

Active

Material - Core:

Non-Magnetic

Tolerance:

±5%

Current - Saturation (Isat):

-

DC Resistance (DCR):

78mOhm Max

Frequency - Self Resonant:

7GHz

Operating Temperature:

-55°C ~ 125°C

Features:

-

Package / Case:

0402 (1005 Metric)

Size / Dimension:

0.039" L x 0.024" W (1.00mm x 0.60mm)

Base Product Number:

LQW15AN

Environmental & Export classification

RoHS Status:

ROHS3 Compliant

REACH Status:

REACH Unaffected

HTSUS:

8504.50.8000

Moisture Sensitivity Level (MSL):

1 (Unlimited)

ECCN:

EAR99

Reference Only

Spec No.: JELF243A_9138D-01

P1/16

CHIP COILS (CHIP INDUCTORS) LQW15AN□□□□8Z□ Murata Standard Reference Specification [AEC-Q200]

1. Scope

This reference specification applies to chip coils (chip inductors) LQW15AN_8Z series for automotive electronics based on AEC-Q200 except for power trains and safeties.

2. Part Numbering

(Ex.)

| | | | | | | | | | |
|------------|-----------|-------------------|--------------------------------|----------|------------|-----------|-------------|---------------------------|------------------------------------|
| LQ | W | 15 | A | N | 1N3 | C | 8 | Z | D |
| Product ID | Structure | Dimension (L × W) | Application and characteristic | Category | Inductance | Tolerance | Performance | Category Z: Automotive | Packaging D: taping *B: bulk |

*B: Bulk packing is also available (taping condition: however, products without reels are put in plastic bags).

3. Part Number and Rating

| | |
|-----------------------------|-----------------|
| Operating temperature range | -55°C to +125°C |
| Storage temperature range | -55°C to +125°C |

| Customer Part number | Murata Part number | Inductance | | Q (Min.) | DC resistance (Ω max.) | Self-resonant frequency (GHz min.) | Rated current (mA) ^{*1} | ESD Rank 6: 25 kV |
|----------------------|--------------------|--------------------|------------|----------|------------------------|------------------------------------|----------------------------------|-------------------|
| | | Nominal value (nH) | Tolerance | | | | | |
| | LQW15AN1N3C8ZD | 1.3 | C: ±0.2 nH | 20 | 0.012 | 18.0 | 3150 | 6 |
| | LQW15AN1N3D8ZD | 1.3 | D: ±0.5 nH | 20 | 0.012 | 18.0 | 3150 | 6 |
| | LQW15AN1N5C8ZD | 1.5 | C: ±0.2 nH | 20 | 0.028 | 18.0 | 2100 | 6 |
| | LQW15AN1N5D8ZD | 1.5 | D: ±0.5 nH | 20 | 0.028 | 18.0 | 2100 | 6 |
| | LQW15AN1N6C8ZD | 1.6 | C: ±0.2 nH | 20 | 0.045 | 18.0 | 1450 | 6 |
| | LQW15AN1N6D8ZD | 1.6 | D: ±0.5 nH | 20 | 0.045 | 18.0 | 1450 | 6 |
| | LQW15AN1N7C8ZD | 1.7 | C: ±0.2 nH | 20 | 0.065 | 18.0 | 1150 | 6 |
| | LQW15AN1N7D8ZD | 1.7 | D: ±0.5 nH | 20 | 0.065 | 18.0 | 1150 | 6 |
| | LQW15AN2N2B8ZD | 2.2 | B: ±0.1 nH | 30 | 0.022 | 15.5 | 2530 | 6 |
| | LQW15AN2N2C8ZD | 2.2 | C: ±0.2 nH | 30 | 0.022 | 15.5 | 2530 | 6 |
| | LQW15AN2N2D8ZD | 2.2 | D: ±0.5 nH | 30 | 0.022 | 15.5 | 2530 | 6 |
| | LQW15AN2N2G8ZD | 2.2 | G: ±2% | 30 | 0.022 | 15.5 | 2530 | 6 |
| | LQW15AN2N3B8ZD | 2.3 | B: ±0.1 nH | 30 | 0.022 | 15.5 | 2530 | 6 |
| | LQW15AN2N3C8ZD | 2.3 | C: ±0.2 nH | 30 | 0.022 | 15.5 | 2530 | 6 |
| | LQW15AN2N3D8ZD | 2.3 | D: ±0.5 nH | 30 | 0.022 | 15.5 | 2530 | 6 |
| | LQW15AN2N3G8ZD | 2.3 | G: ±2% | 30 | 0.022 | 15.5 | 2530 | 6 |
| | LQW15AN2N4B8ZD | 2.4 | B: ±0.1 nH | 30 | 0.022 | 15.5 | 2530 | 6 |
| | LQW15AN2N4C8ZD | 2.4 | C: ±0.2 nH | 30 | 0.022 | 15.5 | 2530 | 6 |
| | LQW15AN2N4D8ZD | 2.4 | D: ±0.5 nH | 30 | 0.022 | 15.5 | 2530 | 6 |
| | LQW15AN2N4G8ZD | 2.4 | G: ±2% | 30 | 0.022 | 15.5 | 2530 | 6 |
| | LQW15AN2N5B8ZD | 2.5 | B: ±0.1 nH | 30 | 0.030 | 15.5 | 2100 | 6 |
| | LQW15AN2N5C8ZD | 2.5 | C: ±0.2 nH | 30 | 0.030 | 15.5 | 2100 | 6 |
| | LQW15AN2N5D8ZD | 2.5 | D: ±0.5 nH | 30 | 0.030 | 15.5 | 2100 | 6 |
| | LQW15AN2N5G8ZD | 2.5 | G: ±2% | 30 | 0.030 | 15.5 | 2100 | 6 |
| | LQW15AN2N6B8ZD | 2.6 | B: ±0.1 nH | 30 | 0.035 | 14.5 | 1950 | 6 |
| | LQW15AN2N6C8ZD | 2.6 | C: ±0.2 nH | 30 | 0.035 | 14.5 | 1950 | 6 |
| | LQW15AN2N6D8ZD | 2.6 | D: ±0.5 nH | 30 | 0.035 | 14.5 | 1950 | 6 |
| | LQW15AN2N6G8ZD | 2.6 | G: ±2% | 30 | 0.035 | 14.5 | 1950 | 6 |
| | LQW15AN2N7B8ZD | 2.7 | B: ±0.1 nH | 28 | 0.047 | 14.0 | 1500 | 6 |

Reference Only

Spec No.: JELF243A_9138D-01

P2/16

| Customer Part number | Murata Part number | Inductance | | Q (Min.) | DC resistance (Ω max.) | Self-resonant frequency (GHz min.) | Rated current (mA) ^{*1} | ESD Rank 6: 25 kV |
|----------------------|--------------------|--------------------|-----------------|----------|--------------------------------|------------------------------------|----------------------------------|-------------------|
| | | Nominal value (nH) | Tolerance | | | | | |
| | LQW15AN2N7C8ZD | 2.7 | C: ± 0.2 nH | 28 | 0.047 | 14.0 | 1500 | 6 |
| | LQW15AN2N7D8ZD | 2.7 | D: ± 0.5 nH | 28 | 0.047 | 14.0 | 1500 | 6 |
| | LQW15AN2N7G8ZD | 2.7 | G: $\pm 2\%$ | 28 | 0.047 | 14.0 | 1500 | 6 |
| | LQW15AN2N8B8ZD | 2.8 | B: ± 0.1 nH | 27 | 0.047 | 13.5 | 1500 | 6 |
| | LQW15AN2N8C8ZD | 2.8 | C: ± 0.2 nH | 27 | 0.047 | 13.5 | 1500 | 6 |
| | LQW15AN2N8D8ZD | 2.8 | D: ± 0.5 nH | 27 | 0.047 | 13.5 | 1500 | 6 |
| | LQW15AN2N8G8ZD | 2.8 | G: $\pm 2\%$ | 27 | 0.047 | 13.5 | 1500 | 6 |
| | LQW15AN2N9B8ZD | 2.9 | B: ± 0.1 nH | 25 | 0.047 | 12.5 | 1500 | 6 |
| | LQW15AN2N9C8ZD | 2.9 | C: ± 0.2 nH | 25 | 0.047 | 12.5 | 1500 | 6 |
| | LQW15AN2N9D8ZD | 2.9 | D: ± 0.5 nH | 25 | 0.047 | 12.5 | 1500 | 6 |
| | LQW15AN2N9G8ZD | 2.9 | G: $\pm 2\%$ | 25 | 0.047 | 12.5 | 1500 | 6 |
| | LQW15AN3N0B8ZD | 3.0 | B: ± 0.1 nH | 20 | 0.063 | 12.5 | 1350 | 6 |
| | LQW15AN3N0C8ZD | 3.0 | C: ± 0.2 nH | 20 | 0.063 | 12.5 | 1350 | 6 |
| | LQW15AN3N0D8ZD | 3.0 | D: ± 0.5 nH | 20 | 0.063 | 12.5 | 1350 | 6 |
| | LQW15AN3N0G8ZD | 3.0 | G: $\pm 2\%$ | 20 | 0.063 | 12.5 | 1350 | 6 |
| | LQW15AN3N3B8ZD | 3.3 | B: ± 0.1 nH | 30 | 0.030 | 14 | 2000 | 6 |
| | LQW15AN3N3C8ZD | 3.3 | C: ± 0.2 nH | 30 | 0.030 | 14 | 2000 | 6 |
| | LQW15AN3N3D8ZD | 3.3 | D: ± 0.5 nH | 30 | 0.030 | 14 | 2000 | 6 |
| | LQW15AN3N3G8ZD | 3.3 | G: $\pm 2\%$ | 30 | 0.030 | 14 | 2000 | 6 |
| | LQW15AN3N4B8ZD | 3.4 | B: ± 0.1 nH | 30 | 0.030 | 10 | 1950 | 6 |
| | LQW15AN3N4C8ZD | 3.4 | C: ± 0.2 nH | 30 | 0.030 | 10 | 1950 | 6 |
| | LQW15AN3N4D8ZD | 3.4 | D: ± 0.5 nH | 30 | 0.030 | 10 | 1950 | 6 |
| | LQW15AN3N4G8ZD | 3.4 | G: $\pm 2\%$ | 30 | 0.030 | 10 | 1950 | 6 |
| | LQW15AN3N5B8ZD | 3.5 | B: ± 0.1 nH | 30 | 0.030 | 10 | 1950 | 6 |
| | LQW15AN3N5C8ZD | 3.5 | C: ± 0.2 nH | 30 | 0.030 | 10 | 1950 | 6 |
| | LQW15AN3N5D8ZD | 3.5 | D: ± 0.5 nH | 30 | 0.030 | 10 | 1950 | 6 |
| | LQW15AN3N5G8ZD | 3.5 | G: $\pm 2\%$ | 30 | 0.030 | 10 | 1950 | 6 |
| | LQW15AN3N6B8ZD | 3.6 | B: ± 0.1 nH | 30 | 0.030 | 10 | 1950 | 6 |
| | LQW15AN3N6C8ZD | 3.6 | C: ± 0.2 nH | 30 | 0.030 | 10 | 1950 | 6 |
| | LQW15AN3N6D8ZD | 3.6 | D: ± 0.5 nH | 30 | 0.030 | 10 | 1950 | 6 |
| | LQW15AN3N6G8ZD | 3.6 | G: $\pm 2\%$ | 30 | 0.030 | 10 | 1950 | 6 |
| | LQW15AN3N7B8ZD | 3.7 | B: ± 0.1 nH | 35 | 0.030 | 10 | 1950 | 6 |
| | LQW15AN3N7C8ZD | 3.7 | C: ± 0.2 nH | 35 | 0.030 | 10 | 1950 | 6 |
| | LQW15AN3N7D8ZD | 3.7 | D: ± 0.5 nH | 35 | 0.030 | 10 | 1950 | 6 |
| | LQW15AN3N7G8ZD | 3.7 | G: $\pm 2\%$ | 35 | 0.030 | 10 | 1950 | 6 |
| | LQW15AN3N8B8ZD | 3.8 | B: ± 0.1 nH | 35 | 0.030 | 10 | 1950 | 6 |
| | LQW15AN3N8C8ZD | 3.8 | C: ± 0.2 nH | 35 | 0.030 | 10 | 1950 | 6 |
| | LQW15AN3N8D8ZD | 3.8 | D: ± 0.5 nH | 35 | 0.030 | 10 | 1950 | 6 |
| | LQW15AN3N8G8ZD | 3.8 | G: $\pm 2\%$ | 35 | 0.030 | 10 | 1950 | 6 |
| | LQW15AN3N9B8ZD | 3.9 | B: ± 0.1 nH | 35 | 0.030 | 10 | 1950 | 6 |
| | LQW15AN3N9C8ZD | 3.9 | C: ± 0.2 nH | 35 | 0.030 | 10 | 1950 | 6 |
| | LQW15AN3N9D8ZD | 3.9 | D: ± 0.5 nH | 35 | 0.030 | 10 | 1950 | 6 |
| | LQW15AN3N9G8ZD | 3.9 | G: $\pm 2\%$ | 35 | 0.030 | 10 | 1950 | 6 |
| | LQW15AN4N0B8ZD | 4.0 | B: ± 0.1 nH | 30 | 0.030 | 10 | 1950 | 6 |
| | LQW15AN4N0C8ZD | 4.0 | C: ± 0.2 nH | 30 | 0.030 | 10 | 1950 | 6 |
| | LQW15AN4N0D8ZD | 4.0 | D: ± 0.5 nH | 30 | 0.030 | 10 | 1950 | 6 |

Reference Only

Spec No.: JELF243A_9138D-01

P3/16

| Customer Part number | Murata Part number | Inductance | | Q (Min.) | DC resistance (Ω max.) | Self-resonant frequency (GHz min.) | Rated current (mA) ^{*1} | ESD Rank 6: 25 kV |
|----------------------|--------------------|--------------------|-----------------|----------|--------------------------------|------------------------------------|----------------------------------|-------------------|
| | | Nominal value (nH) | Tolerance | | | | | |
| | LQW15AN4N0G8ZD | 4.0 | G: $\pm 2\%$ | 30 | 0.030 | 10 | 1950 | 6 |
| | LQW15AN4N1B8ZD | 4.1 | B: ± 0.1 nH | 30 | 0.044 | 9.6 | 1800 | 6 |
| | LQW15AN4N1C8ZD | 4.1 | C: ± 0.2 nH | 30 | 0.044 | 9.6 | 1800 | 6 |
| | LQW15AN4N1D8ZD | 4.1 | D: ± 0.5 nH | 30 | 0.044 | 9.6 | 1800 | 6 |
| | LQW15AN4N1G8ZD | 4.1 | G: $\pm 2\%$ | 30 | 0.044 | 9.6 | 1800 | 6 |
| | LQW15AN4N2B8ZD | 4.2 | B: ± 0.1 nH | 30 | 0.044 | 9.6 | 1800 | 6 |
| | LQW15AN4N2C8ZD | 4.2 | C: ± 0.2 nH | 30 | 0.044 | 9.6 | 1800 | 6 |
| | LQW15AN4N2D8ZD | 4.2 | D: ± 0.5 nH | 30 | 0.044 | 9.6 | 1800 | 6 |
| | LQW15AN4N2G8ZD | 4.2 | G: $\pm 2\%$ | 30 | 0.044 | 9.6 | 1800 | 6 |
| | LQW15AN4N3B8ZD | 4.3 | B: ± 0.1 nH | 32 | 0.044 | 9.6 | 1800 | 6 |
| | LQW15AN4N3C8ZD | 4.3 | C: ± 0.2 nH | 32 | 0.044 | 9.6 | 1800 | 6 |
| | LQW15AN4N3D8ZD | 4.3 | D: ± 0.5 nH | 32 | 0.044 | 9.6 | 1800 | 6 |
| | LQW15AN4N3G8ZD | 4.3 | G: $\pm 2\%$ | 32 | 0.044 | 9.6 | 1800 | 6 |
| | LQW15AN4N4B8ZD | 4.4 | B: ± 0.1 nH | 34 | 0.052 | 9.6 | 1600 | 6 |
| | LQW15AN4N4C8ZD | 4.4 | C: ± 0.2 nH | 34 | 0.052 | 9.6 | 1600 | 6 |
| | LQW15AN4N4D8ZD | 4.4 | D: ± 0.5 nH | 34 | 0.052 | 9.6 | 1600 | 6 |
| | LQW15AN4N4G8ZD | 4.4 | G: $\pm 2\%$ | 34 | 0.052 | 9.6 | 1600 | 6 |
| | LQW15AN4N5B8ZD | 4.5 | B: ± 0.1 nH | 34 | 0.060 | 9.6 | 1450 | 6 |
| | LQW15AN4N5C8ZD | 4.5 | C: ± 0.2 nH | 34 | 0.060 | 9.6 | 1450 | 6 |
| | LQW15AN4N5D8ZD | 4.5 | D: ± 0.5 nH | 34 | 0.060 | 9.6 | 1450 | 6 |
| | LQW15AN4N5G8ZD | 4.5 | G: $\pm 2\%$ | 34 | 0.060 | 9.6 | 1450 | 6 |
| | LQW15AN4N6B8ZD | 4.6 | B: ± 0.1 nH | 32 | 0.060 | 9.6 | 1450 | 6 |
| | LQW15AN4N6C8ZD | 4.6 | C: ± 0.2 nH | 32 | 0.060 | 9.6 | 1450 | 6 |
| | LQW15AN4N6D8ZD | 4.6 | D: ± 0.5 nH | 32 | 0.060 | 9.6 | 1450 | 6 |
| | LQW15AN4N6G8ZD | 4.6 | G: $\pm 2\%$ | 32 | 0.060 | 9.6 | 1450 | 6 |
| | LQW15AN4N7B8ZD | 4.7 | B: ± 0.1 nH | 31 | 0.071 | 8.0 | 1200 | 6 |
| | LQW15AN4N7C8ZD | 4.7 | C: ± 0.2 nH | 31 | 0.071 | 8.0 | 1200 | 6 |
| | LQW15AN4N7D8ZD | 4.7 | D: ± 0.5 nH | 31 | 0.071 | 8.0 | 1200 | 6 |
| | LQW15AN4N7G8ZD | 4.7 | G: $\pm 2\%$ | 31 | 0.071 | 8.0 | 1200 | 6 |
| | LQW15AN4N8B8ZD | 4.8 | B: ± 0.1 nH | 30 | 0.071 | 8.0 | 1200 | 6 |
| | LQW15AN4N8C8ZD | 4.8 | C: ± 0.2 nH | 30 | 0.071 | 8.0 | 1200 | 6 |
| | LQW15AN4N8D8ZD | 4.8 | D: ± 0.5 nH | 30 | 0.071 | 8.0 | 1200 | 6 |
| | LQW15AN4N8G8ZD | 4.8 | G: $\pm 2\%$ | 30 | 0.071 | 8.0 | 1200 | 6 |
| | LQW15AN4N9B8ZD | 4.9 | B: ± 0.1 nH | 27 | 0.071 | 8.0 | 1200 | 6 |
| | LQW15AN4N9C8ZD | 4.9 | C: ± 0.2 nH | 27 | 0.071 | 8.0 | 1200 | 6 |
| | LQW15AN4N9D8ZD | 4.9 | D: ± 0.5 nH | 27 | 0.071 | 8.0 | 1200 | 6 |
| | LQW15AN4N9G8ZD | 4.9 | G: $\pm 2\%$ | 27 | 0.071 | 8.0 | 1200 | 6 |
| | LQW15AN5N0B8ZD | 5.0 | B: ± 0.1 nH | 32 | 0.040 | 10.0 | 1770 | 6 |
| | LQW15AN5N0C8ZD | 5.0 | C: ± 0.2 nH | 32 | 0.040 | 10.0 | 1770 | 6 |
| | LQW15AN5N0D8ZD | 5.0 | D: ± 0.5 nH | 32 | 0.040 | 10.0 | 1770 | 6 |
| | LQW15AN5N0G8ZD | 5.0 | G: $\pm 2\%$ | 32 | 0.040 | 10.0 | 1770 | 6 |
| | LQW15AN5N1B8ZD | 5.1 | B: ± 0.1 nH | 35 | 0.040 | 8.0 | 1770 | 6 |
| | LQW15AN5N1C8ZD | 5.1 | C: ± 0.2 nH | 35 | 0.040 | 8.0 | 1770 | 6 |
| | LQW15AN5N1D8ZD | 5.1 | D: ± 0.5 nH | 35 | 0.040 | 8.0 | 1770 | 6 |
| | LQW15AN5N1G8ZD | 5.1 | G: $\pm 2\%$ | 35 | 0.040 | 8.0 | 1770 | 6 |
| | LQW15AN5N2B8ZD | 5.2 | B: ± 0.1 nH | 35 | 0.040 | 8.0 | 1770 | 6 |

Reference Only

Spec No.: JELF243A_9138D-01

P4/16

| Customer Part number | Murata Part number | Inductance | | Q (Min.) | DC resistance (Ω max.) | Self-resonant frequency (GHz min.) | Rated current (mA) ^{*1} | ESD Rank 6: 25 kV |
|----------------------|--------------------|--------------------|-----------------|----------|--------------------------------|------------------------------------|----------------------------------|-------------------|
| | | Nominal value (nH) | Tolerance | | | | | |
| | LQW15AN5N2C8ZD | 5.2 | C: ± 0.2 nH | 35 | 0.040 | 8.0 | 1770 | 6 |
| | LQW15AN5N2D8ZD | 5.2 | D: ± 0.5 nH | 35 | 0.040 | 8.0 | 1770 | 6 |
| | LQW15AN5N2G8ZD | 5.2 | G: $\pm 2\%$ | 35 | 0.040 | 8.0 | 1770 | 6 |
| | LQW15AN5N3B8ZD | 5.3 | B: ± 0.1 nH | 35 | 0.040 | 8.0 | 1770 | 6 |
| | LQW15AN5N3C8ZD | 5.3 | C: ± 0.2 nH | 35 | 0.040 | 8.0 | 1770 | 6 |
| | LQW15AN5N3D8ZD | 5.3 | D: ± 0.5 nH | 35 | 0.040 | 8.0 | 1770 | 6 |
| | LQW15AN5N3G8ZD | 5.3 | G: $\pm 2\%$ | 35 | 0.040 | 8.0 | 1770 | 6 |
| | LQW15AN5N4B8ZD | 5.4 | B: ± 0.1 nH | 35 | 0.040 | 8.0 | 1770 | 6 |
| | LQW15AN5N4C8ZD | 5.4 | C: ± 0.2 nH | 35 | 0.040 | 8.0 | 1770 | 6 |
| | LQW15AN5N4D8ZD | 5.4 | D: ± 0.5 nH | 35 | 0.040 | 8.0 | 1770 | 6 |
| | LQW15AN5N4G8ZD | 5.4 | G: $\pm 2\%$ | 35 | 0.040 | 8.0 | 1770 | 6 |
| | LQW15AN5N5B8ZD | 5.5 | B: ± 0.1 nH | 35 | 0.040 | 8.0 | 1770 | 6 |
| | LQW15AN5N5C8ZD | 5.5 | C: ± 0.2 nH | 35 | 0.040 | 8.0 | 1770 | 6 |
| | LQW15AN5N5D8ZD | 5.5 | D: ± 0.5 nH | 35 | 0.040 | 8.0 | 1770 | 6 |
| | LQW15AN5N5G8ZD | 5.5 | G: $\pm 2\%$ | 35 | 0.040 | 8.0 | 1770 | 6 |
| | LQW15AN5N6B8ZD | 5.6 | B: ± 0.1 nH | 35 | 0.040 | 8.0 | 1770 | 6 |
| | LQW15AN5N6C8ZD | 5.6 | C: ± 0.2 nH | 35 | 0.040 | 8.0 | 1770 | 6 |
| | LQW15AN5N6D8ZD | 5.6 | D: ± 0.5 nH | 35 | 0.040 | 8.0 | 1770 | 6 |
| | LQW15AN5N6G8ZD | 5.6 | G: $\pm 2\%$ | 35 | 0.040 | 8.0 | 1770 | 6 |
| | LQW15AN5N7B8ZD | 5.7 | B: ± 0.1 nH | 30 | 0.040 | 8.0 | 1770 | 6 |
| | LQW15AN5N7C8ZD | 5.7 | C: ± 0.2 nH | 30 | 0.040 | 8.0 | 1770 | 6 |
| | LQW15AN5N7D8ZD | 5.7 | D: ± 0.5 nH | 30 | 0.040 | 8.0 | 1770 | 6 |
| | LQW15AN5N7G8ZD | 5.7 | G: $\pm 2\%$ | 30 | 0.040 | 8.0 | 1770 | 6 |
| | LQW15AN5N8B8ZD | 5.8 | B: ± 0.1 nH | 30 | 0.040 | 8.0 | 1770 | 6 |
| | LQW15AN5N8C8ZD | 5.8 | C: ± 0.2 nH | 30 | 0.040 | 8.0 | 1770 | 6 |
| | LQW15AN5N8D8ZD | 5.8 | D: ± 0.5 nH | 30 | 0.040 | 8.0 | 1770 | 6 |
| | LQW15AN5N8G8ZD | 5.8 | G: $\pm 2\%$ | 30 | 0.040 | 8.0 | 1770 | 6 |
| | LQW15AN5N9B8ZD | 5.9 | B: ± 0.1 nH | 30 | 0.040 | 8.0 | 1770 | 6 |
| | LQW15AN5N9C8ZD | 5.9 | C: ± 0.2 nH | 30 | 0.040 | 8.0 | 1770 | 6 |
| | LQW15AN5N9D8ZD | 5.9 | D: ± 0.5 nH | 30 | 0.040 | 8.0 | 1770 | 6 |
| | LQW15AN5N9G8ZD | 5.9 | G: $\pm 2\%$ | 30 | 0.040 | 8.0 | 1770 | 6 |
| | LQW15AN6N0B8ZD | 6.0 | B: ± 0.1 nH | 32 | 0.056 | 8.0 | 1600 | 6 |
| | LQW15AN6N0C8ZD | 6.0 | C: ± 0.2 nH | 32 | 0.056 | 8.0 | 1600 | 6 |
| | LQW15AN6N0D8ZD | 6.0 | D: ± 0.5 nH | 32 | 0.056 | 8.0 | 1600 | 6 |
| | LQW15AN6N0G8ZD | 6.0 | G: $\pm 2\%$ | 32 | 0.056 | 8.0 | 1600 | 6 |
| | LQW15AN6N1B8ZD | 6.1 | B: ± 0.1 nH | 32 | 0.056 | 8.0 | 1600 | 6 |
| | LQW15AN6N1C8ZD | 6.1 | C: ± 0.2 nH | 32 | 0.056 | 8.0 | 1600 | 6 |
| | LQW15AN6N1D8ZD | 6.1 | D: ± 0.5 nH | 32 | 0.056 | 8.0 | 1600 | 6 |
| | LQW15AN6N1G8ZD | 6.1 | G: $\pm 2\%$ | 32 | 0.056 | 8.0 | 1600 | 6 |
| | LQW15AN6N2B8ZD | 6.2 | B: ± 0.1 nH | 33 | 0.056 | 8.0 | 1600 | 6 |
| | LQW15AN6N2C8ZD | 6.2 | C: ± 0.2 nH | 33 | 0.056 | 8.0 | 1600 | 6 |
| | LQW15AN6N2D8ZD | 6.2 | D: ± 0.5 nH | 33 | 0.056 | 8.0 | 1600 | 6 |
| | LQW15AN6N2G8ZD | 6.2 | G: $\pm 2\%$ | 33 | 0.056 | 8.0 | 1600 | 6 |
| | LQW15AN6N3G8ZD | 6.3 | G: $\pm 2\%$ | 32 | 0.057 | 7.8 | 1600 | 6 |
| | LQW15AN6N3J8ZD | 6.3 | J: $\pm 5\%$ | 32 | 0.057 | 7.8 | 1600 | 6 |
| | LQW15AN6N4G8ZD | 6.4 | G: $\pm 2\%$ | 33 | 0.065 | 7.0 | 1380 | 6 |

Reference Only

Spec No.: JELF243A_9138D-01

P5/16

| Customer Part number | Murata Part number | Inductance | | Q (Min.) | DC resistance (Ω max.) | Self-resonant frequency (GHz min.) | Rated current (mA) ^{*1} | ESD Rank 6: 25 kV |
|----------------------|--------------------|--------------------|--------------|----------|--------------------------------|------------------------------------|----------------------------------|-------------------|
| | | Nominal value (nH) | Tolerance | | | | | |
| | LQW15AN6N4J8ZD | 6.4 | J: $\pm 5\%$ | 33 | 0.065 | 7.0 | 1380 | 6 |
| | LQW15AN6N5G8ZD | 6.5 | G: $\pm 2\%$ | 32 | 0.065 | 7.0 | 1380 | 6 |
| | LQW15AN6N5J8ZD | 6.5 | J: $\pm 5\%$ | 32 | 0.065 | 7.0 | 1380 | 6 |
| | LQW15AN6N6G8ZD | 6.6 | G: $\pm 2\%$ | 30 | 0.078 | 7.0 | 1280 | 6 |
| | LQW15AN6N6J8ZD | 6.6 | J: $\pm 5\%$ | 30 | 0.078 | 7.0 | 1280 | 6 |
| | LQW15AN6N7G8ZD | 6.7 | G: $\pm 2\%$ | 30 | 0.078 | 7.0 | 1280 | 6 |
| | LQW15AN6N7J8ZD | 6.7 | J: $\pm 5\%$ | 30 | 0.078 | 7.0 | 1280 | 6 |
| | LQW15AN6N8G8ZD | 6.8 | G: $\pm 2\%$ | 30 | 0.068 | 7.0 | 1450 | 6 |
| | LQW15AN6N8J8ZD | 6.8 | J: $\pm 5\%$ | 30 | 0.068 | 7.0 | 1450 | 6 |
| | LQW15AN6N9G8ZD | 6.9 | G: $\pm 2\%$ | 32 | 0.069 | 8.5 | 1420 | 6 |
| | LQW15AN6N9J8ZD | 6.9 | J: $\pm 5\%$ | 32 | 0.069 | 8.5 | 1420 | 6 |
| | LQW15AN7N0G8ZD | 7.0 | G: $\pm 2\%$ | 33 | 0.069 | 8.0 | 1420 | 6 |
| | LQW15AN7N0J8ZD | 7.0 | J: $\pm 5\%$ | 33 | 0.069 | 8.0 | 1420 | 6 |
| | LQW15AN7N1G8ZD | 7.1 | G: $\pm 2\%$ | 32 | 0.069 | 7.0 | 1420 | 6 |
| | LQW15AN7N1J8ZD | 7.1 | J: $\pm 5\%$ | 32 | 0.069 | 7.0 | 1420 | 6 |
| | LQW15AN7N2G8ZD | 7.2 | G: $\pm 2\%$ | 32 | 0.050 | 7.0 | 1700 | 6 |
| | LQW15AN7N2J8ZD | 7.2 | J: $\pm 5\%$ | 32 | 0.050 | 7.0 | 1700 | 6 |
| | LQW15AN7N3G8ZD | 7.3 | G: $\pm 2\%$ | 32 | 0.050 | 7.0 | 1700 | 6 |
| | LQW15AN7N3J8ZD | 7.3 | J: $\pm 5\%$ | 32 | 0.050 | 7.0 | 1700 | 6 |
| | LQW15AN7N4G8ZD | 7.4 | G: $\pm 2\%$ | 30 | 0.050 | 7.0 | 1700 | 6 |
| | LQW15AN7N4J8ZD | 7.4 | J: $\pm 5\%$ | 30 | 0.050 | 7.0 | 1700 | 6 |
| | LQW15AN7N5G8ZD | 7.5 | G: $\pm 2\%$ | 35 | 0.050 | 7.0 | 1700 | 6 |
| | LQW15AN7N5J8ZD | 7.5 | J: $\pm 5\%$ | 35 | 0.050 | 7.0 | 1700 | 6 |
| | LQW15AN7N6G8ZD | 7.6 | G: $\pm 2\%$ | 30 | 0.050 | 7.0 | 1700 | 6 |
| | LQW15AN7N6J8ZD | 7.6 | J: $\pm 5\%$ | 30 | 0.050 | 7.0 | 1700 | 6 |
| | LQW15AN7N7G8ZD | 7.7 | G: $\pm 2\%$ | 30 | 0.050 | 7.0 | 1700 | 6 |
| | LQW15AN7N7J8ZD | 7.7 | J: $\pm 5\%$ | 30 | 0.050 | 7.0 | 1700 | 6 |
| | LQW15AN7N8G8ZD | 7.8 | G: $\pm 2\%$ | 30 | 0.050 | 7.0 | 1700 | 6 |
| | LQW15AN7N8J8ZD | 7.8 | J: $\pm 5\%$ | 30 | 0.050 | 7.0 | 1700 | 6 |
| | LQW15AN7N9G8ZD | 7.9 | G: $\pm 2\%$ | 30 | 0.050 | 7.0 | 1700 | 6 |
| | LQW15AN7N9J8ZD | 7.9 | J: $\pm 5\%$ | 30 | 0.050 | 7.0 | 1700 | 6 |
| | LQW15AN8N0G8ZD | 8.0 | G: $\pm 2\%$ | 30 | 0.050 | 7.0 | 1700 | 6 |
| | LQW15AN8N0J8ZD | 8.0 | J: $\pm 5\%$ | 30 | 0.050 | 7.0 | 1700 | 6 |
| | LQW15AN8N1G8ZD | 8.1 | G: $\pm 2\%$ | 32 | 0.069 | 6.5 | 1500 | 6 |
| | LQW15AN8N1J8ZD | 8.1 | J: $\pm 5\%$ | 32 | 0.069 | 6.5 | 1500 | 6 |
| | LQW15AN8N2G8ZD | 8.2 | G: $\pm 2\%$ | 32 | 0.069 | 6.5 | 1500 | 6 |
| | LQW15AN8N2J8ZD | 8.2 | J: $\pm 5\%$ | 32 | 0.069 | 6.5 | 1500 | 6 |
| | LQW15AN8N3G8ZD | 8.3 | G: $\pm 2\%$ | 32 | 0.069 | 6.5 | 1500 | 6 |
| | LQW15AN8N3J8ZD | 8.3 | J: $\pm 5\%$ | 32 | 0.069 | 6.5 | 1500 | 6 |
| | LQW15AN8N4G8ZD | 8.4 | G: $\pm 2\%$ | 32 | 0.069 | 6.5 | 1500 | 6 |
| | LQW15AN8N4J8ZD | 8.4 | J: $\pm 5\%$ | 32 | 0.069 | 6.5 | 1500 | 6 |
| | LQW15AN8N5G8ZD | 8.5 | G: $\pm 2\%$ | 32 | 0.069 | 6.5 | 1500 | 6 |
| | LQW15AN8N5J8ZD | 8.5 | J: $\pm 5\%$ | 32 | 0.069 | 6.5 | 1500 | 6 |
| | LQW15AN8N6G8ZD | 8.6 | G: $\pm 2\%$ | 31 | 0.070 | 6.5 | 1420 | 6 |
| | LQW15AN8N6J8ZD | 8.6 | J: $\pm 5\%$ | 31 | 0.070 | 6.5 | 1420 | 6 |
| | LQW15AN8N7G8ZD | 8.7 | G: $\pm 2\%$ | 31 | 0.070 | 6.5 | 1420 | 6 |

Reference Only

Spec No.: JELF243A_9138D-01

P6/16

| Customer Part number | Murata Part number | Inductance | | Q (Min.) | DC resistance (Ω max.) | Self-resonant frequency (GHz min.) | Rated current (mA) ^{*1} | ESD Rank 6: 25 kV |
|----------------------|--------------------|--------------------|--------------|----------|--------------------------------|------------------------------------|----------------------------------|-------------------|
| | | Nominal value (nH) | Tolerance | | | | | |
| | LQW15AN8N7J8ZD | 8.7 | J: $\pm 5\%$ | 31 | 0.070 | 6.5 | 1420 | 6 |
| | LQW15AN8N8G8ZD | 8.8 | G: $\pm 2\%$ | 31 | 0.070 | 6.5 | 1420 | 6 |
| | LQW15AN8N8J8ZD | 8.8 | J: $\pm 5\%$ | 31 | 0.070 | 6.5 | 1420 | 6 |
| | LQW15AN8N9G8ZD | 8.9 | G: $\pm 2\%$ | 31 | 0.070 | 6.5 | 1420 | 6 |
| | LQW15AN8N9J8ZD | 8.9 | J: $\pm 5\%$ | 31 | 0.070 | 6.5 | 1420 | 6 |
| | LQW15AN9N0G8ZD | 9.0 | G: $\pm 2\%$ | 30 | 0.070 | 6.5 | 1420 | 6 |
| | LQW15AN9N0J8ZD | 9.0 | J: $\pm 5\%$ | 30 | 0.070 | 6.5 | 1420 | 6 |
| | LQW15AN9N1G8ZD | 9.1 | G: $\pm 2\%$ | 32 | 0.080 | 6.5 | 1400 | 6 |
| | LQW15AN9N1J8ZD | 9.1 | J: $\pm 5\%$ | 32 | 0.080 | 6.5 | 1400 | 6 |
| | LQW15AN9N2G8ZD | 9.2 | G: $\pm 2\%$ | 32 | 0.081 | 6.0 | 1400 | 6 |
| | LQW15AN9N2J8ZD | 9.2 | J: $\pm 5\%$ | 32 | 0.081 | 6.0 | 1400 | 6 |
| | LQW15AN9N3G8ZD | 9.3 | G: $\pm 2\%$ | 34 | 0.081 | 6.0 | 1400 | 6 |
| | LQW15AN9N3J8ZD | 9.3 | J: $\pm 5\%$ | 34 | 0.081 | 6.0 | 1400 | 6 |
| | LQW15AN9N4G8ZD | 9.4 | G: $\pm 2\%$ | 33 | 0.081 | 6.0 | 1400 | 6 |
| | LQW15AN9N4J8ZD | 9.4 | J: $\pm 5\%$ | 33 | 0.081 | 6.0 | 1400 | 6 |
| | LQW15AN9N5G8ZD | 9.5 | G: $\pm 2\%$ | 32 | 0.081 | 6.0 | 1400 | 6 |
| | LQW15AN9N5J8ZD | 9.5 | J: $\pm 5\%$ | 32 | 0.081 | 6.0 | 1400 | 6 |
| | LQW15AN9N6G8ZD | 9.6 | G: $\pm 2\%$ | 33 | 0.081 | 6.0 | 1400 | 6 |
| | LQW15AN9N6J8ZD | 9.6 | J: $\pm 5\%$ | 33 | 0.081 | 6.0 | 1400 | 6 |
| | LQW15AN9N7G8ZD | 9.7 | G: $\pm 2\%$ | 33 | 0.081 | 6.0 | 1400 | 6 |
| | LQW15AN9N7J8ZD | 9.7 | J: $\pm 5\%$ | 33 | 0.081 | 6.0 | 1400 | 6 |
| | LQW15AN9N8G8ZD | 9.8 | G: $\pm 2\%$ | 34 | 0.081 | 6.0 | 1400 | 6 |
| | LQW15AN9N8J8ZD | 9.8 | J: $\pm 5\%$ | 34 | 0.081 | 6.0 | 1400 | 6 |
| | LQW15AN9N9G8ZD | 9.9 | G: $\pm 2\%$ | 32 | 0.081 | 6.0 | 1400 | 6 |
| | LQW15AN9N9J8ZD | 9.9 | J: $\pm 5\%$ | 32 | 0.081 | 6.0 | 1400 | 6 |
| | LQW15AN10NG8ZD | 10 | G: $\pm 2\%$ | 31 | 0.081 | 6.0 | 1400 | 6 |
| | LQW15AN10NJ8ZD | 10 | J: $\pm 5\%$ | 31 | 0.081 | 6.0 | 1400 | 6 |
| | LQW15AN11NG8ZD | 11 | G: $\pm 2\%$ | 32 | 0.083 | 6.2 | 1400 | 6 |
| | LQW15AN11NJ8ZD | 11 | J: $\pm 5\%$ | 32 | 0.083 | 6.2 | 1400 | 6 |
| | LQW15AN12NG8ZD | 12 | G: $\pm 2\%$ | 30 | 0.093 | 5.2 | 1240 | 6 |
| | LQW15AN12NJ8ZD | 12 | J: $\pm 5\%$ | 30 | 0.093 | 5.2 | 1240 | 6 |
| | LQW15AN13NG8ZD | 13 | G: $\pm 2\%$ | 30 | 0.093 | 5.2 | 1240 | 6 |
| | LQW15AN13NJ8ZD | 13 | J: $\pm 5\%$ | 30 | 0.093 | 5.2 | 1240 | 6 |
| | LQW15AN14NG8ZD | 14 | G: $\pm 2\%$ | 31 | 0.111 | 5.2 | 1150 | 6 |
| | LQW15AN14NJ8ZD | 14 | J: $\pm 5\%$ | 31 | 0.111 | 5.2 | 1150 | 6 |
| | LQW15AN15NG8ZD | 15 | G: $\pm 2\%$ | 31 | 0.114 | 5.5 | 1150 | 6 |
| | LQW15AN15NJ8ZD | 15 | J: $\pm 5\%$ | 31 | 0.114 | 5.5 | 1150 | 6 |
| | LQW15AN16NG8ZD | 16 | G: $\pm 2\%$ | 31 | 0.126 | 5.0 | 1000 | 6 |
| | LQW15AN16NJ8ZD | 16 | J: $\pm 5\%$ | 31 | 0.126 | 5.0 | 1000 | 6 |
| | LQW15AN17NG8ZD | 17 | G: $\pm 2\%$ | 30 | 0.126 | 5.0 | 1000 | 6 |
| | LQW15AN17NJ8ZD | 17 | J: $\pm 5\%$ | 30 | 0.126 | 5.0 | 1000 | 6 |
| | LQW15AN18NG8ZD | 18 | G: $\pm 2\%$ | 30 | 0.130 | 5.2 | 1050 | 6 |
| | LQW15AN18NJ8ZD | 18 | J: $\pm 5\%$ | 30 | 0.130 | 5.2 | 1050 | 6 |
| | LQW15AN19NG8ZD | 19 | G: $\pm 2\%$ | 30 | 0.156 | 5.0 | 920 | 6 |
| | LQW15AN19NJ8ZD | 19 | J: $\pm 5\%$ | 30 | 0.156 | 5.0 | 920 | 6 |
| | LQW15AN20NG8ZD | 20 | G: $\pm 2\%$ | 30 | 0.186 | 4.5 | 800 | 6 |

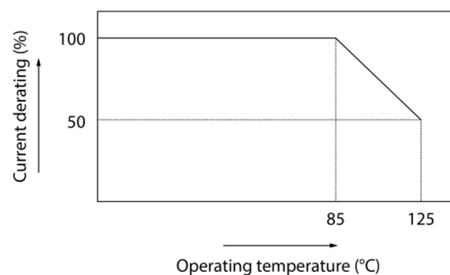
Reference Only

Spec No.: JELF243A_9138D-01

P7/16

| Customer Part number | Murata Part number | Inductance | | Q (Min.) | DC resistance (Ω max.) | Self-resonant frequency (GHz min.) | Rated current (mA) ^{*1} | ESD Rank 6: 25 kV |
|----------------------|--------------------|--------------------|--------------|----------|--------------------------------|------------------------------------|----------------------------------|-------------------|
| | | Nominal value (nH) | Tolerance | | | | | |
| | LQW15AN20NJ8ZD | 20 | J: $\pm 5\%$ | 30 | 0.186 | 4.5 | 800 | 6 |
| | LQW15AN21NG8ZD | 21 | G: $\pm 2\%$ | 30 | 0.202 | 4.5 | 780 | 6 |
| | LQW15AN21NJ8ZD | 21 | J: $\pm 5\%$ | 30 | 0.202 | 4.5 | 780 | 6 |
| | LQW15AN22NG8ZD | 22 | G: $\pm 2\%$ | 30 | 0.202 | 4.5 | 780 | 6 |
| | LQW15AN22NJ8ZD | 22 | J: $\pm 5\%$ | 30 | 0.202 | 4.5 | 780 | 6 |
| | LQW15AN23NG8ZD | 23 | G: $\pm 2\%$ | 29 | 0.201 | 4.5 | 760 | 6 |
| | LQW15AN23NJ8ZD | 23 | J: $\pm 5\%$ | 29 | 0.201 | 4.5 | 760 | 6 |
| | LQW15AN24NG8ZD | 24 | G: $\pm 2\%$ | 31 | 0.212 | 4.0 | 770 | 6 |
| | LQW15AN24NJ8ZD | 24 | J: $\pm 5\%$ | 31 | 0.212 | 4.0 | 770 | 6 |
| | LQW15AN25NG8ZD | 25 | G: $\pm 2\%$ | 31 | 0.221 | 4.1 | 750 | 6 |
| | LQW15AN25NJ8ZD | 25 | J: $\pm 5\%$ | 31 | 0.221 | 4.1 | 750 | 6 |
| | LQW15AN26NG8ZD | 26 | G: $\pm 2\%$ | 29 | 0.282 | 4.1 | 720 | 6 |
| | LQW15AN26NJ8ZD | 26 | J: $\pm 5\%$ | 29 | 0.282 | 4.1 | 720 | 6 |
| | LQW15AN27NG8ZD | 27 | G: $\pm 2\%$ | 30 | 0.288 | 4.0 | 680 | 6 |
| | LQW15AN27NJ8ZD | 27 | J: $\pm 5\%$ | 30 | 0.288 | 4.0 | 680 | 6 |
| | LQW15AN30NG8ZD | 30 | G: $\pm 2\%$ | 30 | 0.309 | 3.8 | 660 | 6 |
| | LQW15AN30NJ8ZD | 30 | J: $\pm 5\%$ | 30 | 0.309 | 3.8 | 660 | 6 |
| | LQW15AN33NG8ZD | 33 | G: $\pm 2\%$ | 30 | 0.336 | 3.6 | 620 | 6 |
| | LQW15AN33NJ8ZD | 33 | J: $\pm 5\%$ | 30 | 0.336 | 3.6 | 620 | 6 |
| | LQW15AN36NG8ZD | 36 | G: $\pm 2\%$ | 30 | 0.431 | 3.5 | 540 | 6 |
| | LQW15AN36NJ8ZD | 36 | J: $\pm 5\%$ | 30 | 0.431 | 3.5 | 540 | 6 |
| | LQW15AN39NG8ZD | 39 | G: $\pm 2\%$ | 28 | 0.456 | 3.4 | 530 | 6 |
| | LQW15AN39NJ8ZD | 39 | J: $\pm 5\%$ | 28 | 0.456 | 3.4 | 530 | 6 |
| | LQW15AN43NG8ZD | 43 | G: $\pm 2\%$ | 30 | 0.516 | 3.4 | 515 | 6 |
| | LQW15AN43NJ8ZD | 43 | J: $\pm 5\%$ | 30 | 0.516 | 3.4 | 515 | 6 |
| | LQW15AN47NG8ZD | 47 | G: $\pm 2\%$ | 25 | 0.648 | 3.2 | 440 | 6 |
| | LQW15AN47NJ8ZD | 47 | J: $\pm 5\%$ | 25 | 0.648 | 3.2 | 440 | 6 |
| | LQW15AN51NG8ZD | 51 | G: $\pm 2\%$ | 25 | 0.696 | 2.9 | 415 | 6 |
| | LQW15AN51NJ8ZD | 51 | J: $\pm 5\%$ | 25 | 0.696 | 2.9 | 415 | 6 |
| | LQW15AN53NG8ZD | 53 | G: $\pm 2\%$ | 25 | 0.696 | 2.9 | 415 | 6 |
| | LQW15AN53NJ8ZD | 53 | J: $\pm 5\%$ | 25 | 0.696 | 2.9 | 415 | 6 |
| | LQW15AN56NG8ZD | 56 | G: $\pm 2\%$ | 25 | 0.996 | 2.9 | 340 | 6 |
| | LQW15AN56NJ8ZD | 56 | J: $\pm 5\%$ | 25 | 0.996 | 2.9 | 340 | 6 |
| | LQW15AN68NG8ZD | 68 | G: $\pm 2\%$ | 25 | 1.128 | 2.5 | 320 | 6 |
| | LQW15AN68NJ8ZD | 68 | J: $\pm 5\%$ | 25 | 1.128 | 2.5 | 320 | 6 |
| | LQW15AN75NG8ZD | 75 | G: $\pm 2\%$ | 25 | 1.224 | 2.4 | 320 | 6 |
| | LQW15AN75NJ8ZD | 75 | J: $\pm 5\%$ | 25 | 1.224 | 2.4 | 320 | 6 |

*1 As shown in the diagram below, derating is applied to the rated current based on the operating temperature.



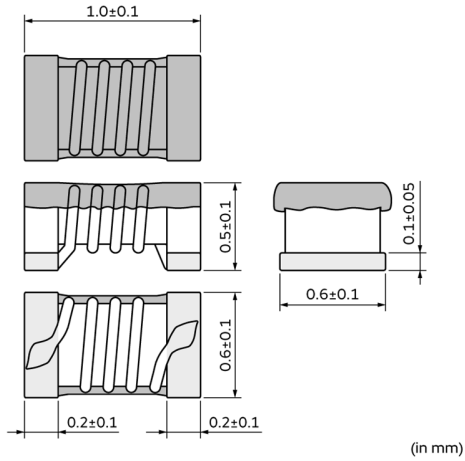
Spec No.: JELF243A_9138D-01

Reference Only

P8/16

4. Testing Conditions

| | |
|----------------------------|---|
| Unless otherwise specified | Temperature: ordinary temperature (15°C to 35°C) Humidity: ordinary humidity [25% to 85% (RH)] |
| In case of doubt | Temperature: 20°C±2°C Humidity: 60% to 70% (RH) Atmospheric pressure: 86 kPa to 106 kPa |

5. Appearance and Dimensions

Unit mass (typical value): 0.0009 g

6. Marking

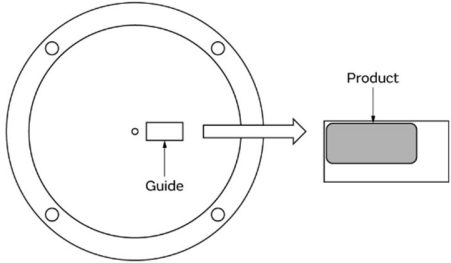
No marking.

Reference Only

Spec No.: JELF243A_9138D-01

P9/16

7. Electrical Performance

| No. | Item | Specification | Test method | | | | | | | | |
|------------|-------------------------|-------------------------------------|--|------------|---------|--|---|---------|-----------------|---------|----------------|
| 7.1 | Inductance | Meet chapter 3 ratings. | Measuring equipment: Keysight E4991A or the equivalent Measuring frequency: <table border="1" style="margin-left: 20px;"> <tr> <td>Inductance</td> <td colspan="2">100 MHz</td> </tr> <tr> <td rowspan="2">Q</td> <td>250 MHz</td> <td>1.3 nH to 43 nH</td> </tr> <tr> <td>200 MHz</td> <td>47 nH to 75 nH</td> </tr> </table> Measuring conditions: Measurement signal level: Approx. 0 dBm Measurement terminal distance: 0.5 mm Electrical length: 10.0 mm Measuring fixture: Keysight 16197A Position the chip coil under test as shown in the measuring example below and connect it to the electrode by applying weight. Measurement example: <div style="text-align: center; margin: 10px 0;">  <p>The diagram illustrates the measurement setup. On the left, a circular fixture with four contact points is shown. A central 'Guide' is indicated. An arrow points to the right, where a 'Product' (chip coil) is shown being placed inside the fixture, held in place by a weight.</p> </div> Measuring method: see "Electrical performance: Measuring method for inductance/Q" in the chapter "15. Appendix". | Inductance | 100 MHz | | Q | 250 MHz | 1.3 nH to 43 nH | 200 MHz | 47 nH to 75 nH |
| Inductance | 100 MHz | | | | | | | | | | |
| Q | 250 MHz | 1.3 nH to 43 nH | | | | | | | | | |
| | 200 MHz | 47 nH to 75 nH | | | | | | | | | |
| 7.2 | Q | Meet chapter 3 ratings. | | | | | | | | | |
| 7.3 | DC resistance | Meet chapter 3 ratings. | Measuring equipment: digital multimeter | | | | | | | | |
| 7.4 | Self-resonant frequency | Meet chapter 3 ratings. | Measuring equipment: Keysight N5230A or the equivalent | | | | | | | | |
| 7.5 | Rated current | Product temperature rise: 40°C max. | Apply the rated current specified in chapter 3. | | | | | | | | |

8. AEC-Q200 Requirement

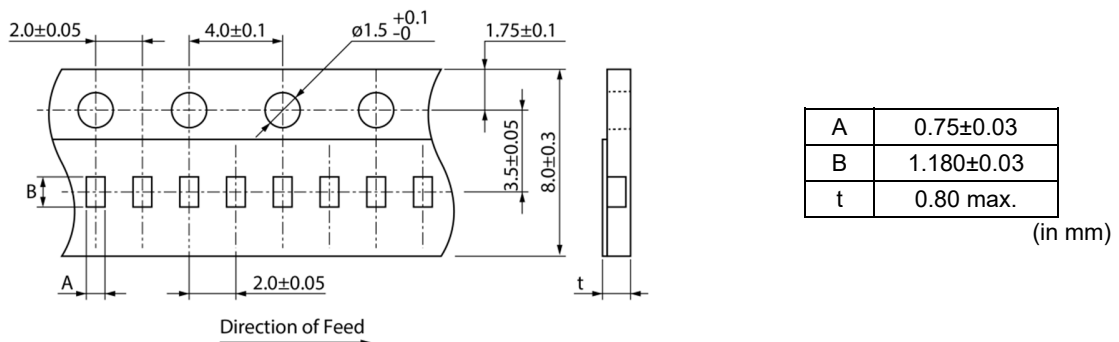
8.1 Performance [based on table 5 for magnetics (inductors/transformer) AEC-Q200 Rev. D issued June 1, 2010]

| AEC-Q200 | | | Murata specification/deviation | | | | |
|-------------------------------------|---------------------------|--|---|------------|-----------|-------------------------------------|------------|
| No. | Stress | Test method | | | | | |
| 3 | High temperature exposure | 1000 h at 125°C Set for 24 h at room condition, then measured. | Meet table A after testing. Table A <table border="1" style="margin-left: 20px;"> <tr> <td>Appearance</td> <td>No damage</td> </tr> <tr> <td>Inductance change rate (at 100 MHz)</td> <td>Within ±5%</td> </tr> </table> | Appearance | No damage | Inductance change rate (at 100 MHz) | Within ±5% |
| Appearance | No damage | | | | | | |
| Inductance change rate (at 100 MHz) | Within ±5% | | | | | | |
| 4 | Temperature cycling | 1000 cycles -40°C to +125°C Set for 24 h at room condition, then measured. | Meet table A after testing. | | | | |
| 7 | Biased humidity | 1000 h at 85°C, 85% (RH). Unpowered. Set for 24 h at room condition, then measured. | Meet table A after testing. | | | | |
| 8 | Operational life | Apply 125°C 1000 h Set for 24 h at room condition, then measured. | Meet table A after testing. | | | | |
| 9 | External visual | Visual inspection | No abnormalities | | | | |

| AEC-Q200 | | | Murata specification/deviation | | | | |
|---------------------------|------------------------------|--|---|------------|-----------|---------------------------|-------------|
| No. | Stress | Test method | | | | | |
| 10 | Physical dimension | Meet chapter 5, "Appearance and Dimensions". | No defects | | | | |
| 12 | Resistance to solvents | Per MIL-STD-202 Method 215 | Not applicable | | | | |
| 13 | Mechanical shock | Per MIL-STD-202 Method 213 Condition C: 100 g's (0.98 N), 6 ms, half sine, 12.3 ft/s | Meet table A after testing. | | | | |
| 14 | Vibration | 5 g's (0.049 N) for 20 min, 12 cycles each of 3 orientations Test from 10 Hz to 2000 Hz | Meet table A after testing. | | | | |
| 15 | Resistance to soldering heat | No-heating Solder temperature 260°C±5°C Immersion time 10 s | Pre-heating: 150°C±10°C, 60 s to 90 s Meet table A after testing. | | | | |
| 17 | ESD | Per AEC-Q200-002 | ESD rank: Refer to chapter 3 ratings. Meet table A after testing. | | | | |
| 18 | Solderability | Per J-STD-002 | Method b: not applicable 95% of the terminations is to be soldered (except exposed wire). | | | | |
| 19 | Electrical characterization | Measured: inductance | No defects | | | | |
| 20 | Flammability | Per UL-94 | Not applicable | | | | |
| 21 | Board flex | Epoxy-PCB (1.6 mm) Deflection 2 mm (min.) Holding time 60 s | Meet table B after testing. Table B <table border="1" style="margin-left: 20px;"> <tr> <td>Appearance</td> <td>No damage</td> </tr> <tr> <td>DC resistance change rate</td> <td>Within ±10%</td> </tr> </table> | Appearance | No damage | DC resistance change rate | Within ±10% |
| Appearance | No damage | | | | | | |
| DC resistance change rate | Within ±10% | | | | | | |
| 22 | Terminal strength | Per AEC-Q200-006 A force of 17.7 N for 60 s | No defects Murata deviation request: 5 N for 60 s | | | | |

9. Specification of Packaging

9.1 Appearance and dimensions of tape (8 mm width/paper tape)



9.2 Taping specifications

| | |
|--------------------------------------|--|
| Packing quantity (Standard quantity) | 10000 pcs/reel |
| Packing method | The products are placed in embossed cavities of a base tape and sealed by a cover tape. |
| Feed hole position | The feed holes on the base tape are on the right side when the cover tape is pulled toward the user. |
| Joint | The base tape and the cover tape are seamless. |
| Number of missing products | Number of missing products within 0.025% of the number per reel or 1 pc., whichever is greater, and are not continuous. The specified quantity per reel is kept. |

Reference Only

Spec No.: JELF243A_9138D-01

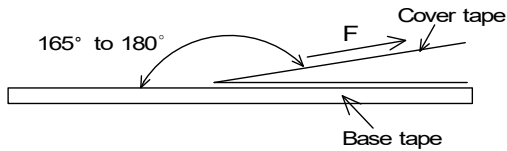
P11/16

9.3 Break down force of tape

| | |
|--------------------------------|----------|
| Break down force of cover tape | 5 N min. |
|--------------------------------|----------|

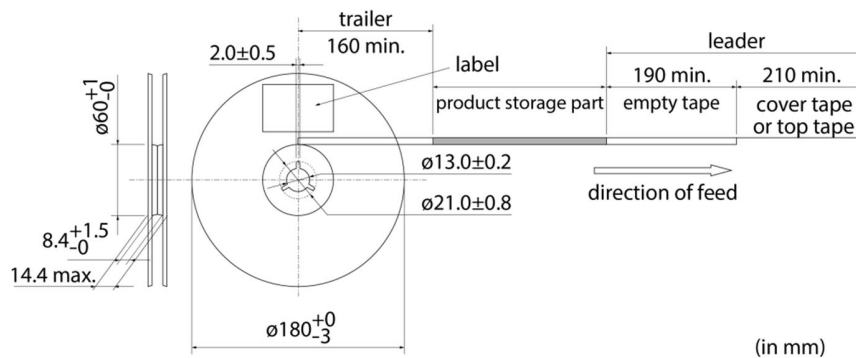
9.4 Peeling off force of cover tape

| | |
|----------------------|--|
| Speed of peeling off | 300 mm/min |
| Peeling off force | 0.1 N to 0.6 N (The lower limit is for typical value.) |



9.5 Dimensions of leader section, trailer section and reel

A vacant section is provided in the leader (start) section and trailer (end) section of the tape for the product. The leader section is further provided with an area consisting only of the cover tape (or top tape). (See the diagram below.)



9.6 Marking for reel

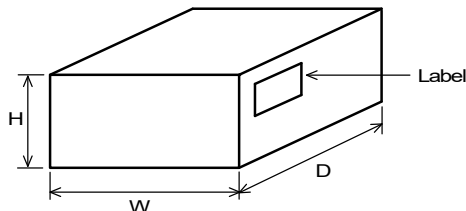
Customer part number, Murata part number, inspection number (*1), RoHS marking (*2), quantity, etc.

| | | | | | | | |
|--|------|------|------|-----|--|-----|---|
| *1 Expression of inspection No.: <table border="1"> <tr> <td>□□</td> <td>○○○○</td> <td>◇◇◇◇</td> </tr> <tr> <td>(1)</td> <td>(2)</td> <td>(3)</td> </tr> </table> | □□ | ○○○○ | ◇◇◇◇ | (1) | (2) | (3) | (1) Factory code (2) Date First digit: year/last digit of year Second digit: month/Jan. to Sep.→1 to 9, Oct. to Dec.→O, N, D Third, Fourth digit: day (3) Serial No. |
| □□ | ○○○○ | ◇◇◇◇ | | | | | |
| (1) | (2) | (3) | | | | | |
| *2 Expression of RoHS marking: ROHS- <table border="1"> <tr> <td>Y</td> <td>(△)</td> </tr> <tr> <td>(1)</td> <td>(2)</td> </tr> </table> | Y | (△) | (1) | (2) | (1) RoHS regulation conformity (2) Murata classification number | | |
| Y | (△) | | | | | | |
| (1) | (2) | | | | | | |

9.7 Marking on outer box (corrugated box)

Customer name, purchasing order number, customer part number, Murata part number, RoHS marking (*2), quantity, etc.

9.8 Specification of outer box



| Dimensions of outer box (mm) | | | Standard reel quantity in outer box (reel) |
|--|-----|----|--|
| W | D | H | |
| 186 | 186 | 93 | 5 |
| * Above outer box size is typical. It depends on a quantity of an order. | | | |

10. ⚠Caution**10.1 Restricted applications**

Please contact us before using our products for the applications listed below which require especially high reliability for the prevention of defects which might directly cause damage to the third party's life, body or property.

- | | |
|-----------------------------------|---|
| (1) Aircraft equipment | (6) Disaster/crime prevention equipment |
| (2) Aerospace equipment | (7) Traffic signal equipment |
| (3) Undersea equipment | (8) Transportation equipment (trains, ships, etc.) |
| (4) Power plant control equipment | (9) Data-processing equipment |
| (5) Medical equipment | (10) Applications of similar complexity and/or reliability requirements to the applications listed in the above |

10.2 Precautions on rating

Do not use the products in excess of their rated current. Doing so may cause the product to generate heat, resulting in short circuit between wires, wire breakage, or melted solder, which may cause dropping of parts.

10.3 Fail-safe

Be sure to provide an appropriate fail-safe function on your product to prevent a second damage that may be caused by the abnormal function or the failure of our product.

10.4 Corrosive gas

Please refrain from use since contact with environments with corrosive gases (sulfur gas [hydrogen sulfide, sulfur dioxide, etc.], chlorine, ammonia, etc.) or oils (cutting oil, silicone oil, etc.) that have come into contact with the previously stated corrosive gas environment will result in deterioration of product quality or an open from deterioration due to corrosion of product electrode, etc. We will not bear any responsibility for use under these environments.

11. Precautions for Use

This product is for use only with reflow soldering. It is designed to be mounted by soldering. If you want to use other mounting method, for example, using a conductive adhesive, please consult us beforehand.

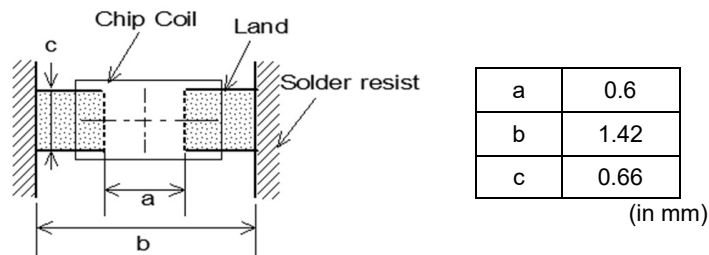
Also, if repeatedly subjected to temperature cycles or other thermal stress, due to the difference in the coefficient of thermal expansion with the mounting substrate, the solder (solder fillet part) in the mounting part may crack.

The occurrence of cracks due to thermal stress is affected by the size of the land where mounted, the solder volume, and the heat dissipation of the mounting substrate. Carefully design it when a large change in ambient temperature is assumed.

11.1 Land dimensions

The following diagram shows the recommended land dimensions for reflow soldering.

The land dimensions are designed in consideration of electrical characteristics and mountability. Use of other land dimensions may preclude achievement of performance. In some cases, it may result in poor solderability, including positional shift. If you use other land pattern, consider it adequately.

**11.2 Flux and solder used**

| | |
|--------|---|
| Flux | <ul style="list-style-type: none"> • Use a rosin-based flux that includes an activator with a chlorine conversion value of 0.06(wt)% to 0.1(wt)%. • Do not use a highly acidic flux with a halide content exceeding 0.2(wt)% (chlorine conversion value). • Do not use a water-soluble flux. |
| Solder | <ul style="list-style-type: none"> • Use Sn-3.0Ag-0.5Cu solder. • Standard thickness of solder paste: 50 μm to 100 μm |

If you want to use a flux other than the above, please consult our technical department.

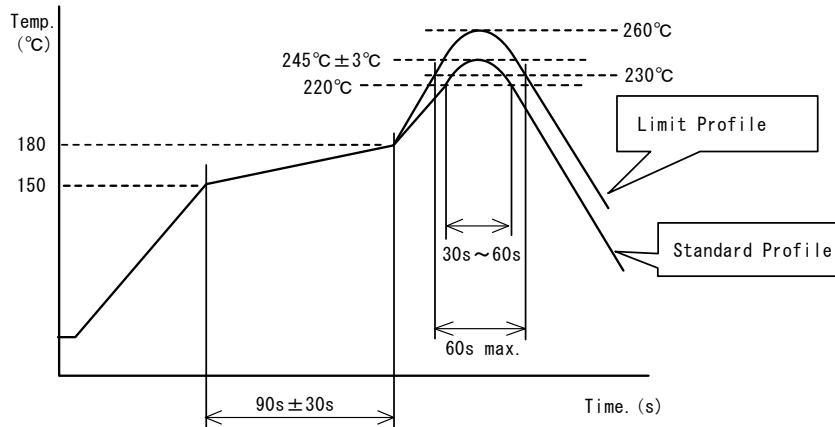
Reference Only

Spec No.: JELF243A_9138D-01

P13/16

11.3 Soldering conditions (reflow)

- Pre-heating should be in such a way that the temperature difference between solder and product surface is limited to 150°C max.
Cooling into solvent after soldering also should be in such a way that the temperature difference is limited to 100°C max.
Insufficient pre-heating may cause cracks on the product, resulting in the deterioration of product quality.
- Standard soldering profile and the limit soldering profile is as follows.
The excessive limit soldering conditions may cause leaching of the electrode and/or resulting in the deterioration of product quality.



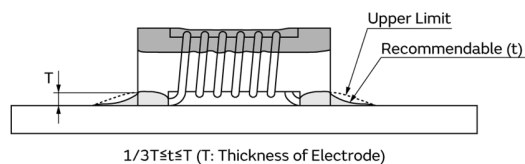
| | Standard profile | Limit profile |
|-------------------------|----------------------------|----------------------------|
| Pre-heating | 150°C to 180°C/90 s ± 30 s | 150°C to 180°C/90 s ± 30 s |
| Heating | Above 220°C/30 s to 60 s | Above 230°C/60 s max. |
| Peak temperature | 245°C ± 3°C | 260°C/10 s |
| Number of reflow cycles | 2 times | 2 times |

11.4 Reworking with soldering iron

Do not perform reworking with a soldering iron on this product.

11.5 Solder volume

Solder shall be used not to increase the volume too much.



An increased solder volume increases mechanical stress on the product. Exceeding solder volume may cause the failure of mechanical or electrical performance.

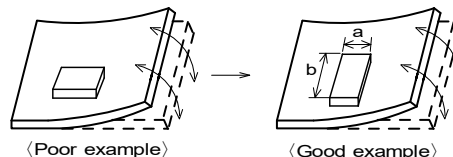
11.6 Product's location

The following shall be considered when designing and laying out PCBs.

- PCB shall be designed so that products are not subject to mechanical stress due to warping the board.

[Products direction]

Products shall be located in the sideways direction (length: $a < b$) to the mechanical stress.



Reference Only

Spec No.: JELF243A_9138D-01

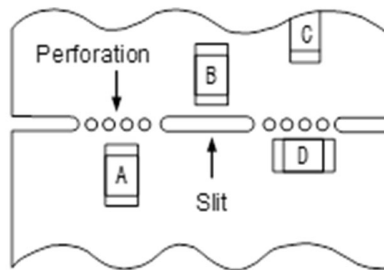
P14/16

(2) Components location on PCB separation

It is effective to implement the following measures, to reduce stress in separating the board.

It is best to implement all of the following three measures; however, implement as many measures as possible to reduce stress.

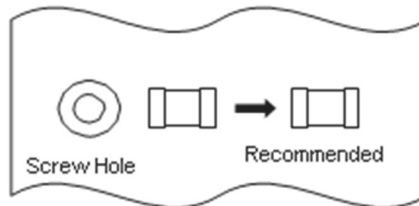
| Contents of measures | Stress level |
|---|--------------|
| (1) Turn the mounting direction of the component parallel to the board separation surface. | $A > D^{*1}$ |
| (2) Add slits in the board separation part. | $A > B$ |
| (3) Keep the mounting position of the component away from the board separation surface. | $A > C$ |
| *1 $A > D$ is valid when stress is added vertically to the perforation as with hand separation. If a cutting disc is used, stress will be diagonal to the PCB, therefore $A > D$ is invalid. | |



(3) Mounting components near screw holes

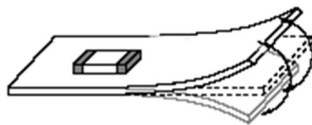
When a component is mounted near a screw hole, it may be affected by the board deflection that occurs during the tightening of the screw.

Mount the component in a position as far away from the screw holes as possible.

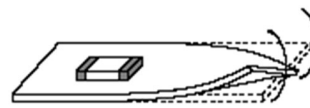


11.7 Handling of substrate

After mounting products on a substrate, do not apply any stress to the product caused by bending or twisting to the substrate when cropping the substrate, inserting and removing a connector from the substrate or tightening screw to the substrate. Excessive mechanical stress may cause cracking in the product.



Bending



Twisting

11.8 Cleaning

The product shall be cleaned under the following conditions.

- (1) The cleaning temperature shall be 60°C max. If isopropyl alcohol (IPA) is used, the cleaning temperature shall be 40°C max.
- (2) Perform ultrasonic cleaning under the following conditions. Exercise caution to prevent resonance phenomenon in mounted products and the PCB.

| Item | Requirement |
|-----------|------------------|
| Power | 20 W/L max. |
| Time | 5 min max. |
| Frequency | 28 kHz to 40 kHz |

- (3) Cleaner

Alcohol-based cleaner: IPA

Aqueous agent: PINE ALPHA ST-100S

- (4) There shall be no residual flux or residual cleaner. When using aqueous agent, rinse the product with deionized water adequately and completely dry it so that no cleaner is left.

* For other cleaning, consult our technical department.

11.9 Storage and transportation

| | |
|--------------------|--|
| Storage period | Use the product within 12 months after delivery. If you do not use the product for more than 12 months, check solderability before using it. |
| Storage conditions | <ul style="list-style-type: none"> • The products shall be stored in a room not subject to rapid changes in temperature and humidity. The recommended temperature range is -10°C to +40°C. The recommended relative humidity range is 15% to 85%. Keeping the product in corrosive gases, such as sulfur, chlorine gas or acid, oxidizes the electrode, resulting in poor solderability or corrosion of the coil wire of the product. • Do not keep products in bulk packaging. Doing so may cause collision between the products or between the products and other products, resulting in core chipping or wire breakage. • Do not place the products directly on the floor; they should be placed on a palette so that they are not affected by humidity or dust. • Avoid keeping the products in a place exposed to direct sunlight, heat or vibration. |
| Transportation | Excessive vibration and impact reduces the reliability of the products. Exercise caution when handling the products. |

11.10 Resin coating

The inductance value may change due to high cure-stress of resin to be used for coating/molding products.

A wire breakage issue may occur by mechanical stress caused by the resin, amount/cured shape of resin, or operating condition etc. Some resin contains some impurities or chloride possible to generate chlorine by hydrolysis under some operating condition may cause corrosion of wire of coil, leading to wire breakage.

So, please pay your careful attention when you select resin in case of coating/molding the products with the resin.

Prior to use the coating resin, please make sure no reliability issue is observed by evaluating products mounted on your board.

11.11 Handling of product

- Sharp material such as a pair of tweezers or other material such as bristles of cleaning brush, shall not be touched to the winding portion to prevent the breaking of wire.
- Mechanical shock should not be applied to the products mounted on the board to prevent the breaking of the core.

11.12 Handling with mounting equipment

- With some types of mounting equipment, a support pin pushes up the product from the bottom of the base (paper) tape when the product is sucked with the pick-up nozzle.
When using this type of equipment, detach the support pin to prevent the breaking of wire on the product.
- In some cases, the laser recognition function of the mounting equipment may not recognize this product correctly. Please contact us when using laser recognition. (There is no problem with the permeation and reflection type.)

12.  Note

- (1) Please make sure that your product has been evaluated in view of your specifications with our product being mounted to your product.
- (2) You are requested not to use our product deviating from the reference specifications.
- (3) The contents of this reference specification are subject to change without advance notice. Please approve our product specifications or transact the approval sheet for product specifications before ordering.

Reference Only

Spec No.: JELF243A_9138D-01

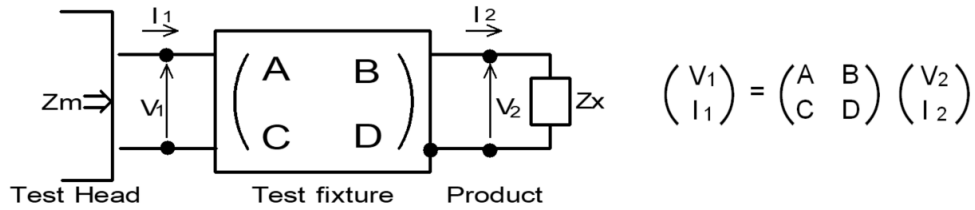
P16/16

13. Appendix

Electrical performance: Measuring method for inductance/Q (Q measurement is applicable only when the Q value is included in the rating table.)

Perform measurement using the method described below. (Perform correction for the error deriving from the measuring terminal.)

(1) Residual elements and stray elements of the measuring terminal can be expressed by the F parameter for the 2-pole terminal as shown in the figure below.



(2) The product's impedance value (Z_x) and measured impedance value (Z_m) can be expressed as shown below, by using the respective current and voltage for input/output.

$$Z_m = \frac{V_1}{I_1} \quad Z_x = \frac{V_2}{I_2}$$

(3) Thus, the relationship between the product's impedance value (Z_x) and measured impedance value (Z_m) is as follows.

| | |
|---|--|
| $Z_x = \alpha \frac{Z_m - \beta}{1 - Z_m \Gamma}$ | <p>Here,</p> <p>$\alpha = D/A = 1$</p> <p>$\beta = B/D = Z_{sm} - (1 - Y_{om} Z_{sm}) Z_{ss}$</p> <p>$\Gamma = C/A = Y_{om}$</p> <p>$Z_{sm}$: measured impedance of short chip</p> <p>Z_{ss}: residual impedance of short chip (0.556 nH)</p> <p>Y_{om}: measured admittance when measuring terminal is open</p> |
|---|--|

(4) Calculate inductance L_x and Q_x using the equations shown below.

| | |
|---|---|
| $L_x = \frac{\text{Im}(Z_x)}{2\pi f}$ | <p>L_x: inductance of chip coil</p> <p>Q_x: Q of chip coil</p> <p>f: measuring frequency</p> |
| $Q_x = \frac{\text{Im}(Z_x)}{\text{Re}(Z_x)}$ | |

OUR CERTIFICATE

DiGi provide top-quality products and perfect service for customer worldwide through standardization, technological innovation and continuous improvement. DiGi through third-party certification, we stricly control the quality of products and services. Welcome your RFQ to

Email: Info@DiGi-Electronics.com



Tel: +00 852-30501935

RFQ Email: Info@DiGi-Electronics.com

DiGi is a global authorized distributor of electronic components.