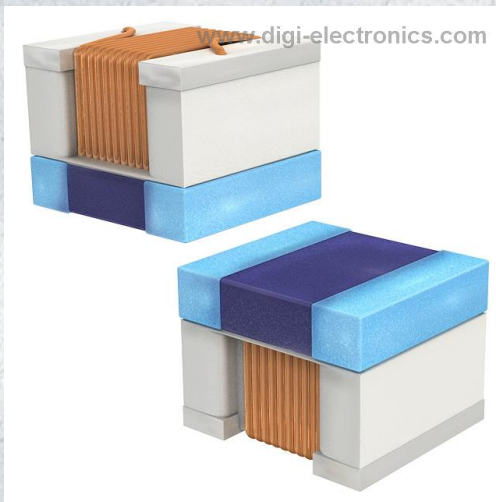


LQW2UAS68NG0CL Datasheet



<https://www.DiGi-Electronics.com>

DiGi Electronics Part Number	LQW2UAS68NG0CL-DG
Manufacturer	Murata Electronics
Manufacturer Product Number	LQW2UAS68NG0CL
Description	FIXED IND 68NH 1A 200 MOHM SMD
Detailed Description	68 nH Unshielded Wirewound Inductor 1 A 200mOhm Max 1008 (2520 Metric)



Tel: +00 852-30501935

RFQ Email: Info@DiGi-Electronics.com

DiGi is a global authorized distributor of electronic components.

Purchase and inquiry

Manufacturer Product Number:

LQW2UAS68NG0CL

Series:

LQW2

Type:

Wirewound

Inductance:

68 nH

Current Rating (Amps):

1 A

Shielding:

Unshielded

Q @ Freq:

65 @ 350MHz

Ratings:

-

Inductance Frequency - Test:

50 MHz

Mounting Type:

Surface Mount

Supplier Device Package:

1008

Height - Seated (Max):

0.080" (2.03mm)

Manufacturer:

Murata Electronics

Product Status:

Active

Material - Core:

Non-Magnetic

Tolerance:

±2%

Current - Saturation (Isat):

-

DC Resistance (DCR):

200mOhm Max

Frequency - Self Resonant:

1.3GHz

Operating Temperature:

-40°C ~ 85°C

Features:

-

Package / Case:

1008 (2520 Metric)

Size / Dimension:

0.103" L x 0.096" W (2.62mm x 2.45mm)

Base Product Number:

LQW2UAS

Environmental & Export classification

RoHS Status:

ROHS3 Compliant

REACH Status:

REACH Unaffected

HTSUS:

8504.50.8000

Moisture Sensitivity Level (MSL):

1 (Unlimited)

ECCN:

EAR99

CHIP COIL (CHIP INDUCTOR) for Consumer equipment & Industrial equipment LQW2UAS□□□□0C□ REFERENCE SPECIFICATION

1. Scope

This reference specification applies to chip coil (chip inductor) LQW2UAS_0C series.

1.1 Specific applications:

- Power equipment: Products that can be used in power equipment such as renewable energy equipment, energy storage equipment and EV charging equipment and whose functions are not directly related to the protection of human life and property.
- Industrial equipment: Products that can be used in industrial equipment such as base stations, manufacturing equipment, industrial robotics equipment, and measurement equipment, and whose functions do not directly relate to the protection of human life and property.
- Medical equipment (GHTF Class C) *Except for implant/surgery/auto injector: Products that can be used for medical equipment of Class C of the international classification class GHTF and whose malfunction is considered to pose a relatively high risk to the human body.
- Medical equipment (GHTF Class A and B): Products that can be used for medical equipment regulated by Class A and Class B of the international classification class GHTF and whose functions do not directly relate to the protection of human life and property.
- Consumer equipment: Products that can be used in consumer equipment such as home appliances, audio/visual equipment, communication equipment, information equipment, office equipment, and household robotics, and whose functions are not directly related to the protection of human life and property.

1.2 Unsuitable application:

Applications listed in "Limitation of applications" in this reference specification.

2. Part Numbering

(Ex.)

LQ	W	2U	A	S	12N	G	0	C	L
Product ID	Structure	Dimension (L × W)	Application and characteristic	Category	Inductance	Tolerance	Performance	Electrode specification	Packaging L: taping *B: bulk

*B: Bulk packing is also available (taping condition: however, products without reels are put in plastic bags).

3. Part Number and Rating

Operating temperature range	-40°C to +85°C
Storage temperature range	-40°C to +85°C

Customer Part number	Murata Part number	Inductance		Q (Min.)	DC resistance (Ω max.)	Self-resonant frequency (MHz min.)	Rated current (mA)
		Nominal value (nH)	Tolerance				
	LQW2UAS12NG0CL	12	G: ±2%	50	0.09	3300	1000
	LQW2UAS12NJ0CL	12	J: ±5%	50	0.09	3300	1000
	LQW2UAS18NG0CL	18	G: ±2%	50	0.11	2500	1000
	LQW2UAS18NJ0CL	18	J: ±5%	50	0.11	2500	1000
	LQW2UAS22NF0CL	22	F: ±1%	55	0.12	2400	1000
	LQW2UAS22NG0CL	22	G: ±2%	55	0.12	2400	1000
	LQW2UAS22NJ0CL	22	J: ±5%	55	0.12	2400	1000
	LQW2UAS27NG0CL	27	G: ±2%	55	0.13	1600	1000
	LQW2UAS27NJ0CL	27	J: ±5%	55	0.13	1600	1000
	LQW2UAS33NF0CL	33	F: ±1%	60	0.14	1600	1000
	LQW2UAS33NG0CL	33	G: ±2%	60	0.14	1600	1000
	LQW2UAS33NJ0CL	33	J: ±5%	60	0.14	1600	1000
	LQW2UAS39NF0CL	39	F: ±1%	60	0.15	1500	1000
	LQW2UAS39NG0CL	39	G: ±2%	60	0.15	1500	1000
	LQW2UAS39NJ0CL	39	J: ±5%	60	0.15	1500	1000

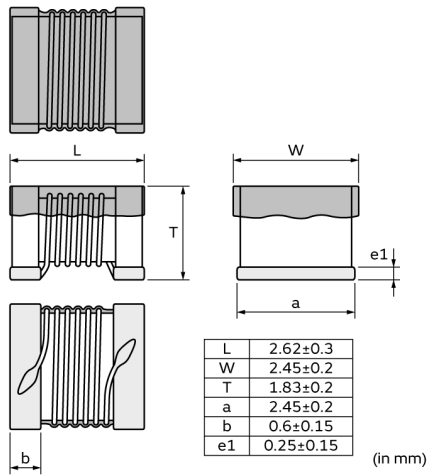
Customer Part number	Murata Part number	Inductance		Q (Min.)	DC resistance (Ω max.)	Self-resonant frequency (MHz min.)	Rated current (mA)
		Nominal value (nH)	Tolerance				
	LQW2UAS47NF0CL	47	F: $\pm 1\%$	65	0.16	1500	1000
	LQW2UAS47NG0CL	47	G: $\pm 2\%$	65	0.16	1500	1000
	LQW2UAS47NJ0CL	47	J: $\pm 5\%$	65	0.16	1500	1000
	LQW2UAS56NF0CL	56	F: $\pm 1\%$	65	0.18	1300	1000
	LQW2UAS56NG0CL	56	G: $\pm 2\%$	65	0.18	1300	1000
	LQW2UAS56NJ0CL	56	J: $\pm 5\%$	65	0.18	1300	1000
	LQW2UAS68NF0CL	68	F: $\pm 1\%$	65	0.20	1300	1000
	LQW2UAS68NG0CL	68	G: $\pm 2\%$	65	0.20	1300	1000
	LQW2UAS68NJ0CL	68	J: $\pm 5\%$	65	0.20	1300	1000
	LQW2UAS82NF0CL	82	F: $\pm 1\%$	60	0.22	1000	1000
	LQW2UAS82NG0CL	82	G: $\pm 2\%$	60	0.22	1000	1000
	LQW2UAS82NJ0CL	82	J: $\pm 5\%$	60	0.22	1000	1000
	LQW2UASR10F0CL	100	F: $\pm 1\%$	60	0.56	1000	650
	LQW2UASR10G0CL	100	G: $\pm 2\%$	60	0.56	1000	650
	LQW2UASR10J0CL	100	J: $\pm 5\%$	60	0.56	1000	650
	LQW2UASR12F0CL	120	F: $\pm 1\%$	60	0.63	950	650
	LQW2UASR12G0CL	120	G: $\pm 2\%$	60	0.63	950	650
	LQW2UASR12J0CL	120	J: $\pm 5\%$	60	0.63	950	650
	LQW2UASR15F0CL	150	F: $\pm 1\%$	45	0.70	850	580
	LQW2UASR15G0CL	150	G: $\pm 2\%$	45	0.70	850	580
	LQW2UASR15J0CL	150	J: $\pm 5\%$	45	0.70	850	580
	LQW2UASR18F0CL	180	F: $\pm 1\%$	45	0.77	750	620
	LQW2UASR18G0CL	180	G: $\pm 2\%$	45	0.77	750	620
	LQW2UASR18J0CL	180	J: $\pm 5\%$	45	0.77	750	620
	LQW2UASR22F0CL	220	F: $\pm 1\%$	45	0.84	700	500
	LQW2UASR22G0CL	220	G: $\pm 2\%$	45	0.84	700	500
	LQW2UASR22J0CL	220	J: $\pm 5\%$	45	0.84	700	500
	LQW2UASR27F0CL	270	F: $\pm 1\%$	45	0.91	600	500
	LQW2UASR27G0CL	270	G: $\pm 2\%$	45	0.91	600	500
	LQW2UASR27J0CL	270	J: $\pm 5\%$	45	0.91	600	500
	LQW2UASR33F0CL	330	F: $\pm 1\%$	45	1.05	570	450
	LQW2UASR33G0CL	330	G: $\pm 2\%$	45	1.05	570	450
	LQW2UASR33J0CL	330	J: $\pm 5\%$	45	1.05	570	450
	LQW2UASR39F0CL	390	F: $\pm 1\%$	45	1.12	500	470
	LQW2UASR39G0CL	390	G: $\pm 2\%$	45	1.12	500	470
	LQW2UASR39J0CL	390	J: $\pm 5\%$	45	1.12	500	470
	LQW2UASR47F0CL	470	F: $\pm 1\%$	45	1.19	450	470
	LQW2UASR47G0CL	470	G: $\pm 2\%$	45	1.19	450	470
	LQW2UASR47J0CL	470	J: $\pm 5\%$	45	1.19	450	470
	LQW2UASR56F0CL	560	F: $\pm 1\%$	45	1.33	415	400
	LQW2UASR56G0CL	560	G: $\pm 2\%$	45	1.33	415	400
	LQW2UASR56J0CL	560	J: $\pm 5\%$	45	1.33	415	400
	LQW2UASR62F0CL	620	F: $\pm 1\%$	45	1.40	375	300
	LQW2UASR62G0CL	620	G: $\pm 2\%$	45	1.40	375	300
	LQW2UASR62J0CL	620	J: $\pm 5\%$	45	1.40	375	300
	LQW2UASR68F0CL	680	F: $\pm 1\%$	45	1.47	375	400

Customer Part number	Murata Part number	Inductance		Q (Min.)	DC resistance (Ω max.)	Self-resonant frequency (MHz min.)	Rated current (mA)
		Nominal value (nH)	Tolerance				
	LQW2UASR68G0CL	680	G: $\pm 2\%$	45	1.47	375	400
	LQW2UASR68J0CL	680	J: $\pm 5\%$	45	1.47	375	400
	LQW2UASR75F0CL	750	F: $\pm 1\%$	45	1.54	360	360
	LQW2UASR75G0CL	750	G: $\pm 2\%$	45	1.54	360	360
	LQW2UASR75J0CL	750	J: $\pm 5\%$	45	1.54	360	360
	LQW2UASR82F0CL	820	F: $\pm 1\%$	45	1.61	350	400
	LQW2UASR82G0CL	820	G: $\pm 2\%$	45	1.61	350	400
	LQW2UASR82J0CL	820	J: $\pm 5\%$	45	1.61	350	400
	LQW2UASR91F0CL	910	F: $\pm 1\%$	35	1.68	320	380
	LQW2UASR91G0CL	910	G: $\pm 2\%$	35	1.68	320	380
	LQW2UASR91J0CL	910	J: $\pm 5\%$	35	1.68	320	380
	LQW2UAS1R0F0CL	1000	F: $\pm 1\%$	35	1.75	290	370
	LQW2UAS1R0G0CL	1000	G: $\pm 2\%$	35	1.75	290	370
	LQW2UAS1R0J0CL	1000	J: $\pm 5\%$	35	1.75	290	370
	LQW2UAS1R2F0CL	1200	F: $\pm 1\%$	35	2.0	210	310
	LQW2UAS1R2G0CL	1200	G: $\pm 2\%$	35	2.0	210	310
	LQW2UAS1R2J0CL	1200	J: $\pm 5\%$	35	2.0	210	310
	LQW2UAS1R5G0CL	1500	G: $\pm 2\%$	28	2.3	120	330
	LQW2UAS1R5J0CL	1500	J: $\pm 5\%$	28	2.3	120	330
	LQW2UAS1R8G0CL	1800	G: $\pm 2\%$	28	2.6	140	300
	LQW2UAS1R8J0CL	1800	J: $\pm 5\%$	28	2.6	140	300
	LQW2UAS2R2G0CL	2200	G: $\pm 2\%$	28	2.8	130	280
	LQW2UAS2R2J0CL	2200	J: $\pm 5\%$	28	2.8	130	280
	LQW2UAS2R7G0CL	2700	G: $\pm 2\%$	22	3.2	110	290
	LQW2UAS2R7J0CL	2700	J: $\pm 5\%$	22	3.2	110	290
	LQW2UAS3R3G0CL	3300	G: $\pm 2\%$	22	3.4	90	290
	LQW2UAS3R3J0CL	3300	J: $\pm 5\%$	22	3.4	90	290
	LQW2UAS3R9G0CL	3900	G: $\pm 2\%$	20	3.6	70	260
	LQW2UAS3R9J0CL	3900	J: $\pm 5\%$	20	3.6	70	260
	LQW2UAS4R7G0CL	4700	G: $\pm 2\%$	20	4.0	60	260
	LQW2UAS4R7J0CL	4700	J: $\pm 5\%$	20	4.0	60	260
	LQW2UAS5R6J0CL	5600	J: $\pm 5\%$	16	4.0	20	240
	LQW2UAS6R8J0CL	6800	J: $\pm 5\%$	18	4.9	40	200
	LQW2UAS8R2J0CL	8200	J: $\pm 5\%$	18	6.0	25	170

4. Testing Conditions

Unless otherwise specified	Temperature: ordinary temperature (15°C to 35°C) Humidity: ordinary humidity [25% to 85% (RH)]
In case of doubt	Temperature: 20°C \pm 2°C Humidity: 60% to 70% (RH) Atmospheric pressure: 86 kPa to 106 kPa

5. Appearance and Dimensions

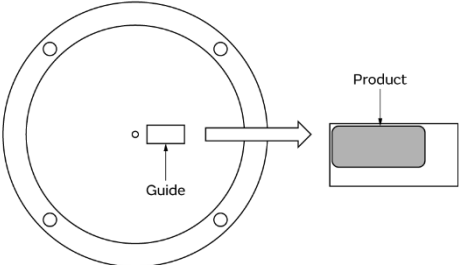


Unit mass (typical value): 0.039 g

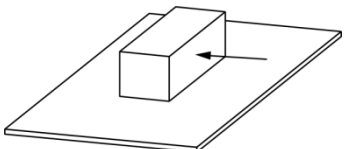
6. Marking

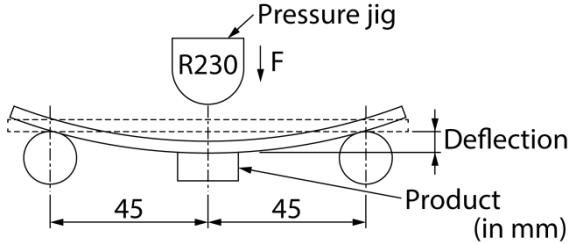
No marking.

7. Electrical Performance

No.	Item	Specification	Test method																						
7.1	Inductance	Meet chapter 3 ratings.	<p>Measuring equipment: Keysight E4991A or the equivalent</p> <p>Measuring frequency:</p> <table border="1"> <tr> <td rowspan="4">Inductance</td> <td>50 MHz</td> <td>12 nH to 82 nH</td> </tr> <tr> <td>25 MHz</td> <td>100 nH to 1000 nH</td> </tr> <tr> <td>7.9 MHz</td> <td>1200 nH to 6800 nH</td> </tr> <tr> <td>2.5 MHz</td> <td>8200 nH</td> </tr> <tr> <td rowspan="5">Q</td> <td>500 MHz</td> <td>12 nH</td> </tr> <tr> <td>350 MHz</td> <td>18 nH to 120 nH</td> </tr> <tr> <td>100 MHz</td> <td>150 nH to 820 nH</td> </tr> <tr> <td>50 MHz</td> <td>910 nH to 2200 nH</td> </tr> <tr> <td>25 MHz</td> <td>2700 nH to 4700 nH</td> </tr> <tr> <td>7.9 MHz</td> <td>5600 nH to 8200 nH</td> </tr> </table> <p>Measuring conditions: Measurement signal level: Approx. 0 dBm Measurement terminal distance: 1.5 mm Electrical length: 10.0 mm Weight: Approx. 1 N to 3 N</p>	Inductance	50 MHz	12 nH to 82 nH	25 MHz	100 nH to 1000 nH	7.9 MHz	1200 nH to 6800 nH	2.5 MHz	8200 nH	Q	500 MHz	12 nH	350 MHz	18 nH to 120 nH	100 MHz	150 nH to 820 nH	50 MHz	910 nH to 2200 nH	25 MHz	2700 nH to 4700 nH	7.9 MHz	5600 nH to 8200 nH
Inductance	50 MHz	12 nH to 82 nH																							
	25 MHz	100 nH to 1000 nH																							
	7.9 MHz	1200 nH to 6800 nH																							
	2.5 MHz	8200 nH																							
Q	500 MHz	12 nH																							
	350 MHz	18 nH to 120 nH																							
	100 MHz	150 nH to 820 nH																							
	50 MHz	910 nH to 2200 nH																							
	25 MHz	2700 nH to 4700 nH																							
7.9 MHz	5600 nH to 8200 nH																								
7.2	Q	Meet chapter 3 ratings.	<p>Measuring fixture: Keysight 16197A</p> <p>Position the chip coil under test as shown in the measuring example below and connect it to the electrode by applying weight.</p> <p>Measurement example:</p>  <p>Measuring method: see "Electrical performance: Measuring method for inductance/Q" in the chapter "16. Appendix".</p>																						
7.3	DC resistance	Meet chapter 3 ratings.	Measuring equipment: digital multimeter																						
7.4	Self-resonant frequency	Meet chapter 3 ratings.	Measuring equipment: Keysight N5230A or the equivalent																						
7.5	Rated current	Product temperature rise: 40°C max.	Apply the rated current specified in chapter 3.																						

8. Mechanical Performance

No.	Item	Specification	Test method
8.1	Shear test	No significant mechanical damage or no sign of electrode peeling off shall be observed.	<p>Test substrate: glass-epoxy substrate</p> <p>Force application direction:</p>  <p>Applying force: 10 N Holding time: 5 s</p>

No.	Item	Specification	Test method
8.2	Bending test	No significant mechanical damage or no sign of electrode peeling off shall be observed.	<p>Test substrate: glass-epoxy substrate (100 mm × 40 mm × 1.0 mm) Pressurizing speed: 1.0 mm/s Pressure jig: R230 Deflection: 3 mm Holding time: 5 s</p> 
8.3	Vibration	Appearance shall have no significant mechanical damage.	<p>Oscillation frequency: 10 Hz to 2000 Hz to 10 Hz, for approx. 20 min Total amplitude: total amplitude of 3.0 mm or acceleration amplitude of 196 m/s², whichever is smaller Test time: 3 directions vertically to each other, 2 h for each direction (6 h in total)</p>
8.4	Solderability	95% or more of the outer electrode shall be covered with new solder seamlessly (except exposed wire).	<p>Flux: immersed in ethanol solution with a rosin content of 25(wt)% for 5 s to 10 s Solder: Sn-3.0Ag-0.5Cu solder Pre-heating: 150°C/60 s Solder temperature: 245°C±3°C Immersion time: 3 s</p>

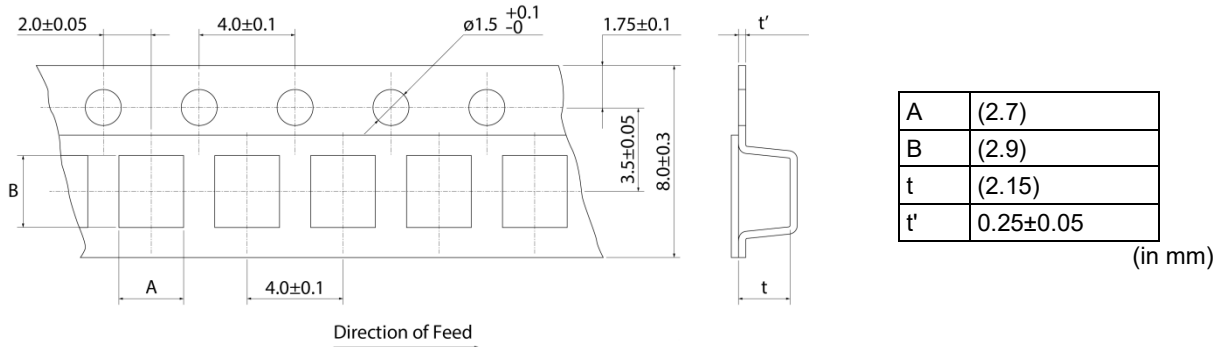
9. Environmental Performance

The product is soldered on a substrate for test.

No.	Item	Specification	Test method
9.1	Heat life	Appearance: No significant mechanical damage shall be observed. Inductance change rate: within ±10%	<p>Temperature: 85°C±2°C Applied current: Rated current Test time: 1000 h (+48 h, -0 h) Post-treatment: left at a room condition for 4 h to 48 h</p>
9.2	Cold resistance	Appearance: No significant mechanical damage shall be observed. Inductance change rate: within ±10%	<p>Temperature: -40°C±2°C Test time: 1000 h (+48 h, -0 h) Post-treatment: left at a room condition for 4 h to 48 h</p>
9.3	Humidity	Appearance: No significant mechanical damage shall be observed. Inductance change rate: within ±10%	<p>Temperature: 40°C±2°C Humidity: 90% (RH) to 95% (RH) Test time: 1000 h (+48 h, -0 h) Post-treatment: left at a room condition for 4 h to 48 h</p>
9.4	Temperature cycle	Inductance change rate: within ±10%	<p>Single cycle conditions: Step 1: -40°C (+0°C, -3°C)/30 min (+3 min, -0 min) Step 2: ordinary temperature/3 min max. Step 3: +85°C (+3°C, -0°C)/30 min (+3 min, -0 min) Step 4: ordinary temperature/3 min max. Number of testing: 100 cycles Post-treatment: left at a room condition for 4 h to 48 h</p>

10. Specification of Packaging

10.1 Appearance and dimensions of tape (8 mm width/plastic tape)



* The dimensions of the cavity are measured at its bottom.

10.2 Taping specifications

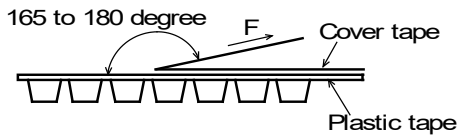
Packing quantity (Standard quantity)	2000 pcs/reel
Packing method	The products are placed in embossed cavities of a plastic tape and sealed by a cover tape.
Feed hole position	The feed holes on the plastic tape are on the right side when the cover tape is pulled toward the user.
Joint	The plastic tape and the cover tape are seamless.
Number of missing products	Number of missing products within 0.025% of the number per reel or 1 pc., whichever is greater, and are not continuous. The specified quantity per reel is kept.

10.3 Break down force of tape

Break down force of cover tape	10 N min.
--------------------------------	-----------

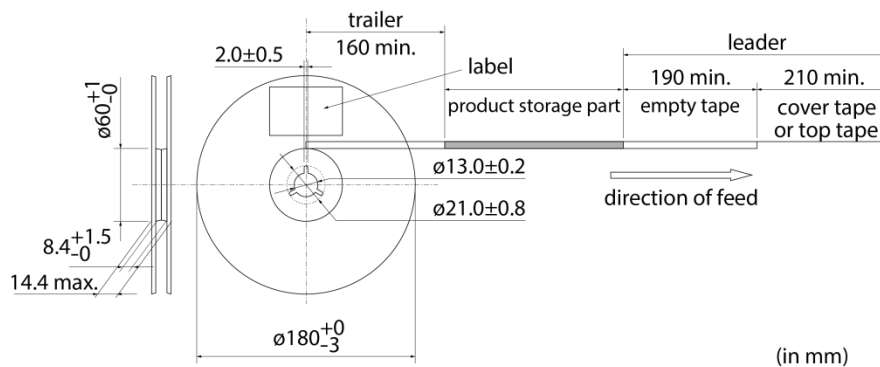
10.4 Peeling off force of cover tape

Speed of peeling off	300 mm/min
Peeling off force	0.1 N to 0.6 N (The lower limit is for typical value.)



10.5 Dimensions of leader section, trailer section and reel

A vacant section is provided in the leader (start) section and trailer (end) section of the tape for the product. The leader section is further provided with an area consisting only of the cover tape (or top tape). (See the diagram below.)



(in mm)

10.6 Marking for reel

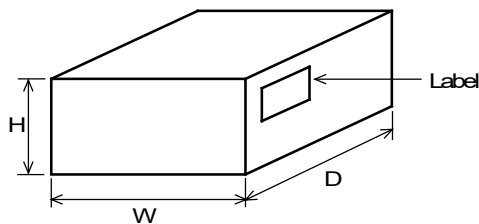
Customer part number, Murata part number, inspection number (*1), RoHS marking (*2), quantity, etc.

*1 Expression of inspection No.: □□ ○○○○ ◇◇◇◇ — — — (1) (2) (3)	(1) Factory code (2) Date First digit: year/last digit of year Second digit: month/Jan. to Sep.→1 to 9, Oct. to Dec.→O, N, D Third, Fourth digit: day (3) Serial No.
*2 Expression of RoHS marking: ROHS- Y (△) — — — (1) (2)	(1) RoHS regulation conformity (2) Murata classification number

10.7 Marking on outer box (corrugated box)

Customer name, purchasing order number, customer part number, Murata part number, RoHS marking (*2), quantity, etc.

10.8 Specification of outer box



Dimensions of outer box (mm)			Standard reel quantity in outer box (reel)
W	D	H	
186	186	93	5
* Above outer box size is typical. It depends on a quantity of an order.			

11. ⚠ Caution

11.1 Limitation of applications

The products listed in the reference specification (hereinafter the product(s) is called as the "Product(s)") are designed and manufactured for applications specified in the reference specification (hereinafter called as the "Specific Application"). We shall not warrant anything in connection with the Products including fitness, performance, adequateness, safety, or quality, in the case of applications listed in from (1) to (11) written at the end of this precautions, which may generally require high performance, function, quality, management of production or safety. Therefore, the Product shall be applied in compliance with the specific application.

WE DISCLAIM ANY LOSS AND DAMAGES ARISING FROM OR IN CONNECTION WITH THE PRODUCTS INCLUDING BUT NOT LIMITED TO THE CASE SUCH LOSS AND DAMAGES CAUSED BY THE UNEXPECTED ACCIDENT, IN EVENT THAT (i) THE PRODUCT IS APPLIED FOR THE PURPOSE WHICH IS NOT SPECIFIED AS THE SPECIFIC APPLICATION FOR THE PRODUCT, AND/OR (ii) THE PRODUCT IS APPLIED FOR ANY FOLLOWING APPLICATION PURPOSES FROM (1) TO (11) (EXCEPT THAT SUCH APPLICATION PURPOSE IS UNAMBIGUOUSLY SPECIFIED AS SPECIFIC APPLICATION FOR THE PRODUCT IN OUR CATALOG SPECIFICATION FORMS, DATASHEETS, OR OTHER DOCUMENTS OFFICIALLY ISSUED BY US*).

- (1) Aircraft equipment
- (2) Aerospace equipment
- (3) Undersea equipment
- (4) Power plant control equipment
- (5) Medical equipment
- (6) Transportation equipment
- (7) Traffic control equipment
- (8) Disaster prevention/security equipment
- (9) Industrial data-processing equipment
- (10) Combustion/explosion control equipment
- (11) Equipment with complexity and/or required reliability equivalent to the applications listed in the above.

For exploring information of the Products which will be compatible with the particular purpose other than those specified in the reference specification, please contact our sales offices, distribution agents, or trading companies with which you make a deal, or via our web contact form.

Contact form: <https://www.murata.com/contactform>

* We may design and manufacture particular Products for applications listed in (1) to (11). Provided that, in such case we shall unambiguously specify such Specific Application in the reference specification without any exception. Therefore, any other documents and/or performances, whether exist or non-exist, shall not be deemed as the evidence to imply that we accept the applications listed in (1) to (11).

11.2 Precautions on rating

Avoid using in exceeded the rated temperature range, rated voltage, or rated current. Usage when the ratings are exceeded could lead to wire breakage, burning, or other serious fault.

11.3 Inrush current

If an inrush current (or pulse current or rush current) that significantly exceeds the rated current is applied to the product, overheating could occur, resulting in wire breakage, burning, or other serious fault.

11.4 Corrosive gas

Please refrain from use since contact with environments with corrosive gases (sulfur gas [hydrogen sulfide, sulfur dioxide, etc.], chlorine, ammonia, etc.) or oils (cutting oil, silicone oil, etc.) that have come into contact with the previously stated corrosive gas environment will result in deterioration of product quality or an open from deterioration due to corrosion of product electrode, etc. We will not bear any responsibility for use under these environments.

12. Precautions for Use

This product is for use only with reflow soldering. It is designed to be mounted by soldering. If you want to use other mounting method, for example, using a conductive adhesive, please consult us beforehand.

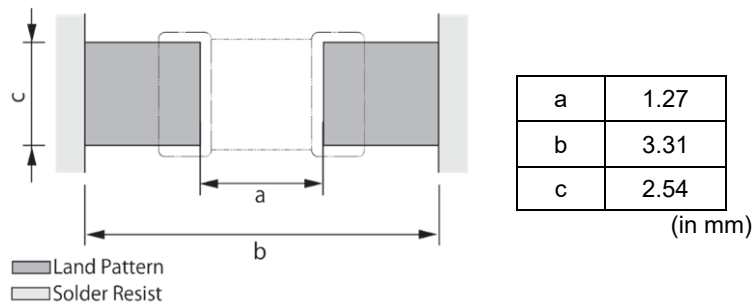
Also, if repeatedly subjected to temperature cycles or other thermal stress, due to the difference in the coefficient of thermal expansion with the mounting substrate, the solder (solder fillet part) in the mounting part may crack.

The occurrence of cracks due to thermal stress is affected by the size of the land where mounted, the solder volume, and the heat dissipation of the mounting substrate. Carefully design it when a large change in ambient temperature is assumed.

12.1 Land dimensions

The following diagram shows the recommended land dimensions for reflow soldering.

The land dimensions are designed in consideration of electrical characteristics and mountability. Use of other land dimensions may preclude achievement of performance. In some cases, it may result in poor solderability, including positional shift. If you use other land pattern, consider it adequately.



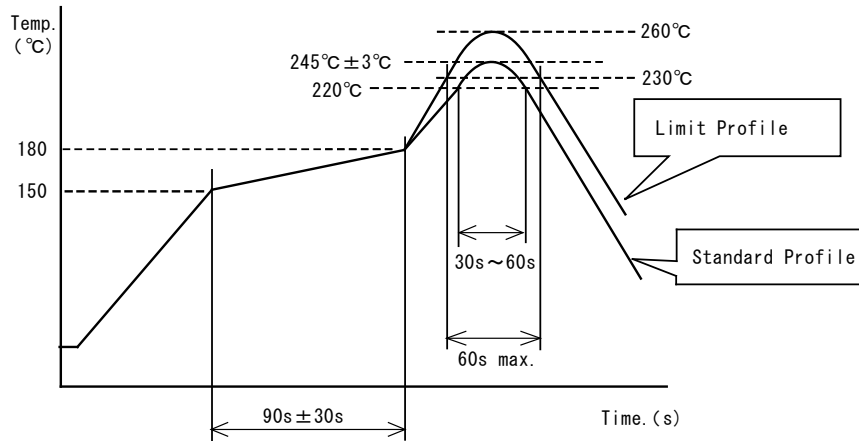
12.2 Flux and solder used

Flux	<ul style="list-style-type: none"> Use a rosin-based flux that includes an activator with a chlorine conversion value of 0.06 mass% to 0.1 mass%. Do not use a highly acidic flux with a halide content exceeding 0.2 mass% (chlorine conversion value). Do not use a water-soluble flux.
Solder	<ul style="list-style-type: none"> Use Sn-3.0Ag-0.5Cu solder. Standard thickness of solder paste: 100 μm to 150 μm

If you want to use a flux other than the above, please consult our technical department.

12.3 Soldering conditions (reflow)

- Pre-heating should be in such a way that the temperature difference between solder and product surface is limited to 150°C max.
Cooling into solvent after soldering also should be in such a way that the temperature difference is limited to 100°C max.
Insufficient pre-heating may cause cracks on the product, resulting in the deterioration of product quality.
- Standard soldering profile and the limit soldering profile is as follows.
The excessive limit soldering conditions may cause leaching of the electrode and/or resulting in the deterioration of product quality.



	Standard profile	Limit profile
Pre-heating	150°C to 180°C/90 s ± 30 s	150°C to 180°C/90 s ± 30 s
Heating	Above 220°C/30 s to 60 s	Above 230°C/60 s max.
Peak temperature	245°C ± 3°C	260°C/10 s
Number of reflow cycles	2 times	2 times

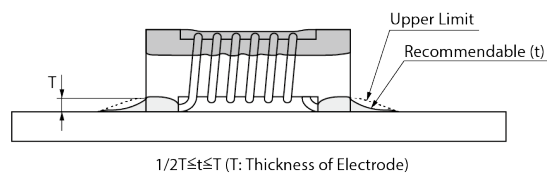
12.4 Reworking with soldering iron

The following requirements must be met to rework a soldered product using a soldering iron.

Item	Requirement
Pre-heating	150°C/approx. 1 min
Tip temperature of soldering iron	350°C max.
Power consumption of soldering iron	80 W max.
Tip diameter of soldering iron	ø3 mm max.
Soldering time	3 s (+1 s, -0 s)
Number of reworking operations	2 times max.
* Avoid a direct contact of the tip of the soldering iron with the product. Such a direction contact may cause cracks in the ceramic body due to thermal shock.	

12.5 Solder volume

Solder shall be used not to increase the volume too much.



An increased solder volume increases mechanical stress on the product. Exceeding solder volume may cause the failure of mechanical or electrical performance.

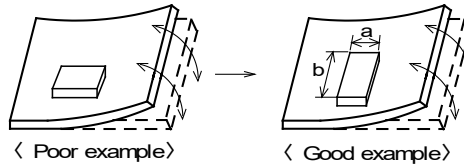
12.6 Product's location

The following shall be considered when designing and laying out PCBs.

(1) PCB shall be designed so that products are not subject to mechanical stress due to warping the board.

[Products direction]

Products shall be located in the sideways direction (length: $a < b$) to the mechanical stress.

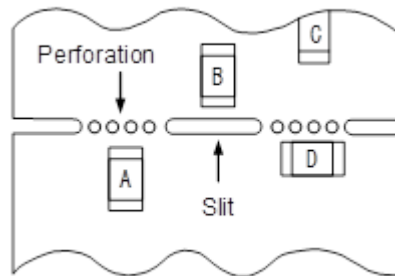


(2) Components location on PCB separation

It is effective to implement the following measures, to reduce stress in separating the board.

It is best to implement all of the following three measures; however, implement as many measures as possible to reduce stress.

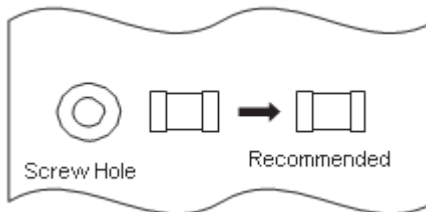
Contents of measures	Stress level
(1) Turn the mounting direction of the component parallel to the board separation surface.	$A > D^{*1}$
(2) Add slits in the board separation part.	$A > B$
(3) Keep the mounting position of the component away from the board separation surface.	$A > C$
*1 $A > D$ is valid when stress is added vertically to the perforation as with hand separation. If a cutting disc is used, stress will be diagonal to the PCB, therefore $A > D$ is invalid.	



(3) Mounting components near screw holes

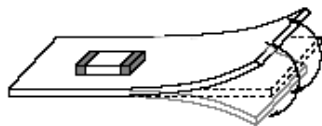
When a component is mounted near a screw hole, it may be affected by the board deflection that occurs during the tightening of the screw.

Mount the component in a position as far away from the screw holes as possible.

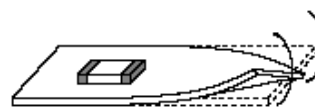


12.7 Handling of substrate

After mounting products on a substrate, do not apply any stress to the product caused by bending or twisting to the substrate when cropping the substrate, inserting and removing a connector from the substrate or tightening screw to the substrate. Excessive mechanical stress may cause cracking in the product.



Bending



Twisting

12.8 Cleaning

The product shall be cleaned under the following conditions.

- (1) The cleaning temperature shall be 60°C max. If isopropyl alcohol (IPA) is used, the cleaning temperature shall be 40°C max.
- (2) Perform ultrasonic cleaning under the following conditions. Exercise caution to prevent resonance phenomenon in mounted products and the PCB.

Item	Requirement
Power	20 W/L max.
Time	5 min max.
Frequency	28 kHz to 40 kHz

- (3) Cleaner

Alcohol-based cleaner: IPA

Aqueous agent: PINE ALPHA ST-100S

- (4) There shall be no residual flux or residual cleaner. When using aqueous agent, rinse the product with deionized water adequately and completely dry it so that no cleaner is left.

* For other cleaning, consult our technical department.

12.9 Storage and transportation

Storage period	Use the product within 12 months after delivery. If you do not use the product for more than 12 months, check solderability before using it.
Storage conditions	<ul style="list-style-type: none"> • The products shall be stored in a room not subject to rapid changes in temperature and humidity. The recommended temperature range is -10°C to +40°C. The recommended relative humidity range is 15% to 85%. Keeping the product in corrosive gases, such as sulfur, chlorine gas or acid may cause the poor solderability. • Do not place the products directly on the floor; they should be placed on a palette so that they are not affected by humidity or dust. • Avoid keeping the products in a place exposed to direct sunlight, heat or vibration. • Do not keep products in bulk packaging. Bulk storage could result in collisions between the products or between the products and other parts, resulting in chipping or wire breakage. • Avoid storing the product by itself bare (i.e. exposed directly to air).
Transportation	Excessive vibration and impact reduces the reliability of the products. Exercise caution when handling the products.

12.10 Resin coating (including moisture-proof coating)

When the product is coated/molded with resin, its electrical characteristics may change.

A wire breakage issue may occur by mechanical stress caused by the resin, amount/cured shape of resin, or operating condition etc.

Some resins contain impurities or hydrolyzable chlorine, which could result in corrosion of the conducting materials, leading to wire breakage.

So, please pay your careful attention when you select resin in case of coating/molding the products with the resin.

Prior to use the coating resin, please make sure no reliability issue is observed by evaluating products mounted on your board.

12.11 Mounting conditions

Check the mounting condition before using.

Using mounting conditions (nozzles, equipment conditions, etc.) that are not suitable for products may lead to pick up errors, misalignment, or damage to the product.

12.12 Operating environment

Do not use this product under the following environmental conditions as it may cause deterioration of product quality.

- (1) In the corrodible atmosphere such as acidic gases, alkaline gases, chlorine, sulfur gases, organic gases and etc.
(the sea breeze, Cl₂, H₂S, NH₃, SO₂, NO₂, etc)
- (2) In the atmosphere where liquid such as organic solvent, may splash on the products.
- (3) In the atmosphere where the temperature/humidity changes rapidly and it is easy to dew.

12.13 Mounting density

If this product is placed near heat-generating products, be sure to implement sufficient heat-dissipating measures.

If this product is subjected to a significant amount of heat from other products, this could adversely affect product quality, resulting in a circuit malfunction or failure of the mounted section. Also, be sure that the product is used in a manner so that the heat that the product is subjected to from other products does not exceed the upper limit of the rated operating temperature for the product.

12.14 Handling of product

- To prevent wire breakage, sharp objects such as tweezers, bristles of cleaning brushes, and other objects must not contact the winding section or the electrode section.
- Mechanical shock should not be applied to the products mounted on the board to prevent the breaking of the core.

13. ⚠Note

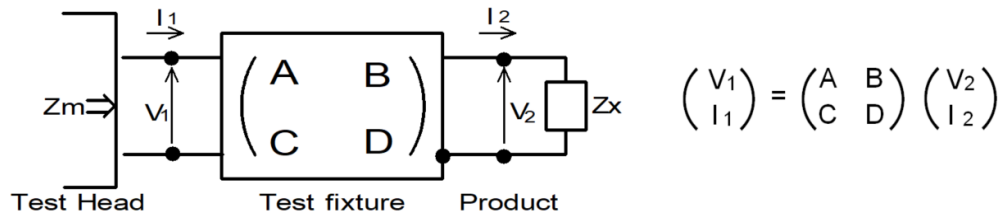
- (1) Please make sure that your product has been evaluated in view of your specifications with our product being mounted to your product.
- (2) You are requested not to use our product deviating from the reference specifications.
- (3) The contents of this reference specification are subject to change without advance notice. Please approve our product specifications or transact the approval sheet for product specifications before ordering.

14. Appendix

Electrical performance: Measuring method for inductance/Q (Q measurement is applicable only when the Q value is included in the rating table.)

Perform measurement using the method described below. (Perform correction to ensure that the inductance value is compatible with inductors of other manufacturers.)

(1) Residual elements and stray elements of the measuring terminal can be expressed by the F parameter for the 2-pole terminal as shown in the figure below.



(2) The product's impedance value (Zx) and measured impedance value (Zm) can be expressed as shown below, by using the respective current and voltage for input/output.

$$Z_m = \frac{V_1}{I_1} \quad Z_x = \frac{V_2}{I_2}$$

(3) Thus, the relationship between the product's impedance value (Zx) and measured impedance value (Zm) is as follows.

$Z_x = \alpha \frac{Z_m - \beta}{1 - Z_m \Gamma}$	<p>Here,</p> <p>$\alpha = D/A = 1$</p> <p>$\beta = B/D = Z_{sm} - (1 - Y_{om} Z_{sm}) Z_{ss}$</p> <p>$\Gamma = C/A = Y_{om}$</p> <p>Zsm: measured impedance when measuring terminal is shorted</p> <p>Zss: residual impedance of short chip (= Equivalent series inductance X^{*1})</p> <p>Yom: measured admittance when measuring terminal is open</p>
---	--

*1 Important

X: In consideration of compatibility with other vendors' products, Zss is defined as the correction value to fit nominal inductance of other vendors' products.

When calibrating the measurement, please input X value instead of the equivalent series inductance (ShortL) for each L value.

Perform measurement of Q using the residual impedance 0.771 nH obtained through our conventional standard measurement method.

(4) Calculate inductance Lx and Qx using the equations shown below.

$L_x = \frac{\text{Im}(Z_x)}{2\pi f}$	<p>Lx: inductance of chip coil</p> <p>Qx: Q of chip coil</p> <p>f: measuring frequency</p>
$Q_x = \frac{\text{Im}(Z_x)}{\text{Re}(Z_x)}$	

Table: Equivalent series inductance to fit nominal inductance of other vendors' products

Part number	Inductance	
	X (nH) Equivalent series Inductance	Measuring frequency (MHz)
LQW2UAS12N_0C	0.511	50
LQW2UAS18N_0C	0.321	50
LQW2UAS22N_0C	0.941	50
LQW2UAS27N_0C	0.651	50
LQW2UAS33N_0C	1.711	50
LQW2UAS39N_0C	0.741	50
LQW2UAS47N_0C	2.071	50
LQW2UAS56N_0C	2.351	50

Part number	Inductance	
	X (nH) Equivalent series Inductance	Measuring frequency (MHz)
LQW2UAS68N_0C	2.281	50
LQW2UAS82N_0C	2.921	50
LQW2UASR10_0C	3.351	25
LQW2UASR12_0C	3.871	25
LQW2UASR15_0C	4.371	25
LQW2UASR18_0C	5.271	25
LQW2UASR22_0C	3.271	25
LQW2UASR27_0C	8.871	25
LQW2UASR33_0C	12.771	25
LQW2UASR39_0C	22.271	25
LQW2UASR47_0C	20.971	25
LQW2UASR56_0C	24.971	25
LQW2UASR62_0C	28.371	25
LQW2UASR68_0C	44.271	25
LQW2UASR75_0C	35.371	25
LQW2UASR82_0C	47.171	25
LQW2UASR91_0C	56.371	25
LQW2UAS1R0_0C	79.171	25
LQW2UAS1R2_0C	15.771	7.9
LQW2UAS1R5_0C	5.771	7.9
LQW2UAS1R8_0C	6.771	7.9
LQW2UAS2R2_0C	25.771	7.9
LQW2UAS2R7_0C	63.771	7.9
LQW2UAS3R3_0C	91.771	7.9
LQW2UAS3R9_0C	67.771	7.9
LQW2UAS4R7_0C	163.771	7.9
LQW2UAS5R6_0C	0.771	7.9
LQW2UAS6R8_0C	0.771	7.9
LQW2UAS8R2_0C	0.771	2.5

OUR CERTIFICATE

DiGi provide top-quality products and perfect service for customer worldwide through standardization, technological innovation and continuous improvement. DiGi through third-party certification, we stricly control the quality of products and services. Welcome your RFQ to

Email: Info@DiGi-Electronics.com



Tel: +00 852-30501935

RFQ Email: Info@DiGi-Electronics.com

DiGi is a global authorized distributor of electronic components.