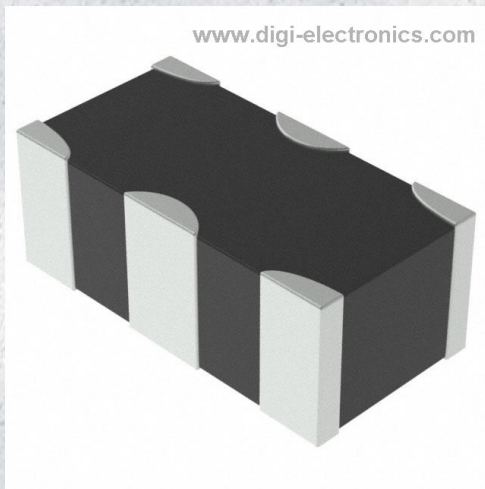


NFL18ST307X1C3D Datasheet



<https://www.DiGi-Electronics.com>

| | |
|------------------------------|-------------------------------------------------------------------------------------------------------------------|
| DiGi Electronics Part Number | NFL18ST307X1C3D-DG |
| Manufacturer | Murata Electronics |
| Manufacturer Product Number | NFL18ST307X1C3D |
| Description | FILTER LC(T) 62NH/18PF SMD |
| Detailed Description | LC (T-Type) EMI Filter 3rd Order Low Pass 1 Channel L = 62nH, C = 18pF 200 mA 0603 (1608 Metric), 3 P C Pad |



Tel: +00 852-30501935

RFQ Email: Info@DiGi-Electronics.com

DiGi is a global authorized distributor of electronic components.

Purchase and inquiry

Manufacturer Product Number:

NFL18ST307X1C3D

Series:

EMIFIL®, NFL18

Type:

Low Pass

Technology:

LC (T-Type)

Center / Cutoff Frequency:

300MHz (Cutoff)

Resistance - Channel (Ohms):

1.8

Values:

L = 62nH, C = 18pF

Operating Temperature:

-55°C ~ 125°C

Voltage - Rated:

16V

Package / Case:

0603 (1608 Metric), 3 PC Pad

Height:

0.035" (0.90mm)

Manufacturer:

Murata Electronics

Product Status:

Obsolete

Filter Order:

3rd

Number of Channels:

1

Attenuation Value:

-

Current:

200 mA

ESD Protection:

No

Applications:

General Purpose

Mounting Type:

Surface Mount

Size / Dimension:

0.063" L x 0.032" W (1.60mm x 0.80mm)

Base Product Number:

NFL18ST

Environmental & Export classification

RoHS Status:

ROHS3 Compliant

ECCN:

EAR99

Moisture Sensitivity Level (MSL):

1 (Unlimited)

HTSUS:

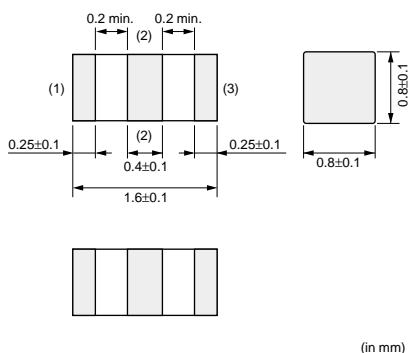
8548.00.0000

Chip EMIFIL® LC Combined Type Monolithic Type

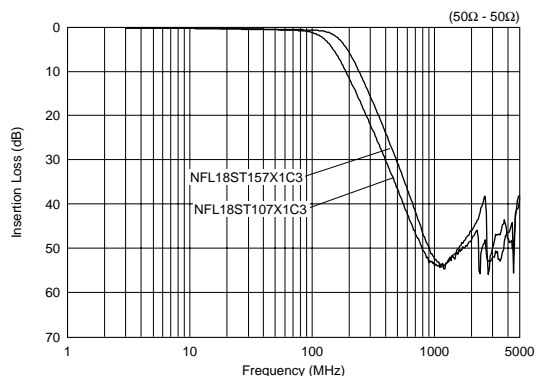
NFL18ST Series (0603 Size)

● For your new designs, alternative parts should be used. These parts should be used only for existing design. Please consult with us for details.

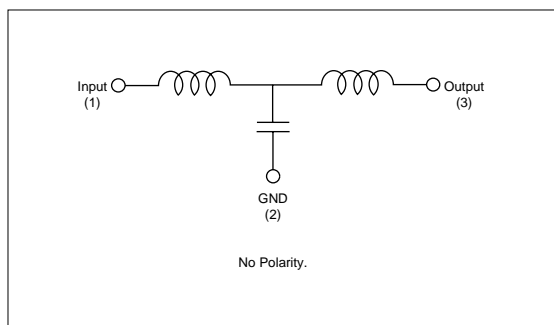
Dimension



Insertion Loss Characteristics (Typical)



Equivalent Circuit



Packaging

| Code | Packaging | Minimum Quantity |
|------|------------------|------------------|
| D | 180mm Paper Tape | 4000 |
| B | Bulk(Bag) | 1000 |

Rated Value (□: packaging code)

| Part Number | Cut-off Frequency | Capacitance | Inductance | Rated Voltage | Rated Current | Insulation Resistance (min.) | Operating Temperature Range | Number of Circuits |
|-----------------|-------------------|--------------|---------------|---------------|---------------|------------------------------|-----------------------------|--------------------|
| NFL18ST107X1C3□ | 100MHz | 40pF+20%-20% | 175nH+20%-20% | 16Vdc | 100mA | 1000M ohm | -55°C to 125°C | 1 |
| NFL18ST157X1C3□ | 150MHz | 32pF+20%-20% | 140nH+20%-20% | 16Vdc | 100mA | 1000M ohm | -55°C to 125°C | 1 |

⚠ Caution/Notice

⚠ Caution (Rating)

Do not use products beyond the rated current and rated voltage as this may create excessive heat and deteriorate the insulation resistance.

Notice

Solderability of Tin plating termination chip might be deteriorated when low temperature soldering profile where peak solder temperature is below the Tin melting point is used. Please confirm the solderability of Tin plating termination chip before use.

● This data sheet is applied for LC Combined CHIP EMIFIL® used for General Electronics equipment for your design.

⚠ Note:

- This datasheet is downloaded from the website of Murata Manufacturing co., Ltd. Therefore, it's specifications are subject to change or our products in it may be discontinued without advance notice. Please check with our sales representatives or product engineers before ordering.
- This datasheet has only typical specifications because there is no space for detailed specifications. Therefore, please approve our product specifications or transact the approval sheet for product specifications before ordering.

OUR CERTIFICATE

DiGi provide top-quality products and perfect service for customer worldwide through standardization, technological innovation and continuous improvement. DiGi through third-party certification, we stricly control the quality of products and services. Welcome your RFQ to

Email: Info@DiGi-Electronics.com



Tel: +00 852-30501935

RFQ Email: Info@DiGi-Electronics.com

DiGi is a global authorized distributor of electronic components.