

# F3-12 Datasheet



<https://www.DiGi-Electronics.com>

|                              |                                  |
|------------------------------|----------------------------------|
| DiGi Electronics Part Number | F3-12-DG                         |
| Manufacturer                 | <a href="#">Triad Magnetics</a>  |
| Manufacturer Product Number  | F3-12                            |
| Description                  | PWR XFMR LAMINATED 2.4VA CHAS MT |
| Detailed Description         | Transformers                     |

This model F3-12 is available at DiGi Electronics.

DiGi Electronics offers a global database of semiconductor and electronic component datasheets.

We welcome your inquiries regarding pricing, lead time, or other product-related questions.

 [Request a Quote](#)

 [Datasheet Search](#)



Tel: +00 852-30501935

RFQ Email: [Info@DiGi-Electronics.com](mailto:Info@DiGi-Electronics.com)

DiGi is a global authorized distributor of electronic components.

## Purchase and inquiry

Manufacturer Product Number:

F3-12

Series:

Quick Pack

Type:

Laminated Core

Voltage - Secondary (Full Load):

12.6V

Primary Winding(s):

Single

Center Tap:

Yes

Mounting Type:

Chassis Mount

Size / Dimension:

41.28mm L x 30.15mm W

Voltage - Isolation:

2500VAC

Manufacturer:

Triad Magnetics

Product Status:

Active

Voltage - Primary:

115V

Current - Output (Max):

200mA

Secondary Winding(s):

Single

Power - Max:

2.4VA

Termination Style:

Solder, Quick Connect - 0.187" (4.7mm)

Height - Seated (Max):

30.15mm

Weight:

0.25 lb (113.4 g)

## Environmental & Export classification

RoHS Status:

ROHS3 Compliant

REACH Status:

REACH Unaffected

HTSUS:

8504.31.4035

Moisture Sensitivity Level (MSL):

Not Applicable

ECCN:

EAR99



## Power Transformer Chassis Mount: Quick Pack

### F3-12

#### Description:

The F3-12 Quick Pack small power transformer offers a significant reduction in size and weight over a standard transformer. This transformer can be used for a wide variety of applications. It is bobbin wound for reduced size and small operating space.

#### Electrical Specifications (@25C):

**Maximum Power:** 2.4VA

**Input Voltage:** 115VAC @50/60Hz

**Output Voltage:** 12.6VCT@0.2A

**Hipot:** 2500VAC primary to secondary; 1500VAC windings to core.

#### Construction:

Split bobbin non concentric winding eliminates costly electrostatic shielding. Termination is suitable for quick connects or soldering. Built with UL Class B Insulation System.

#### Safety:

UL: File E53148, UL 5085-1 and 2 (formerly UL 506), General Purpose.

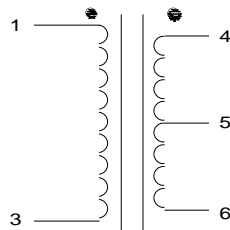


#### Dimensions:

| A     | B        | C     | D     | E     | F        | G    |
|-------|----------|-------|-------|-------|----------|------|
| 1.187 | 1.75±.03 | 2.062 | 1.187 | 1.625 | .187 Dia | .562 |

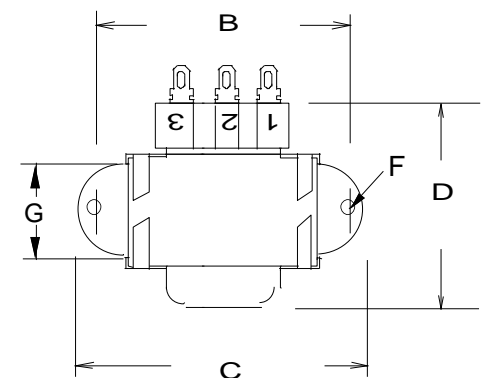
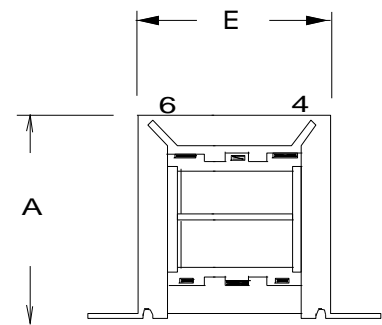
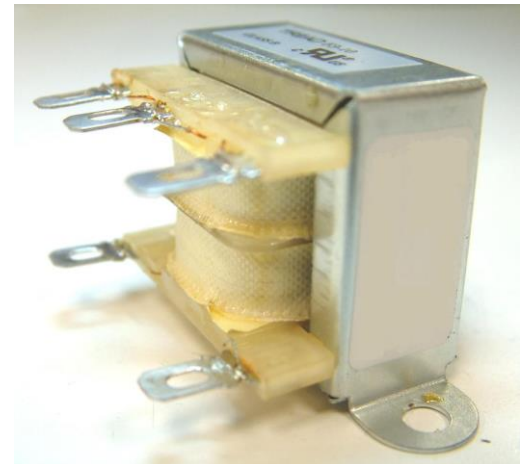
- Notes:**
- Units: inches.
  - Terminal size: .187" X 0.021".
  - Weight: .25 lbs

#### Schematic:



**Input:** 1 to 3

**Output:** 4 to 6



**RoHS Compliance:** As of manufacturing date February 2016, all standard products meet the requirements of 2015/863/EU, known as the RoHS 3 initiative.

\* Upon printing, this document is considered "uncontrolled". Please contact Triad Magnetics' website for the most current version.

Web: [www.TriadMagnetics.com](http://www.TriadMagnetics.com)  
Phone 951-277-0757  
Fax 951-277-2757

460 Harley Knox Blvd.  
Perris, California 92571

Publish Date: April 18, 2019

## OUR CERTIFICATE

DiGi provide top-quality products and perfect service for customer worldwide through standardization, technological innovation and continuous improvement. DiGi through third-party certification, we stricly control the quality of products and services. Welcome your RFQ to

Email: [Info@DiGi-Electronics.com](mailto:Info@DiGi-Electronics.com)



Tel: +00 852-30501935

RFQ Email: [Info@DiGi-Electronics.com](mailto:Info@DiGi-Electronics.com)

DiGi is a global authorized distributor of electronic components.