

# FD6-56 Datasheet




<https://www.DiGi-Electronics.com>

DiGi Electronics Part Number	FD6-56-DG
Manufacturer	<a href="#">Triad Magnetics</a>
Manufacturer Product Number	FD6-56
Description	PWR XFMR LAMINATED 30VA CHAS MT
Detailed Description	Transformers

This model FD6-56 is available at DiGi Electronics.

DiGi Electronics offers a global database of semiconductor and electronic component datasheets.

We welcome your inquiries regarding pricing, lead time, or other product-related questions.

 [Request a Quote](#)

 [Datasheet Search](#)



Tel: +00 852-30501935

RFQ Email: [Info@DiGi-Electronics.com](mailto:Info@DiGi-Electronics.com)

DiGi is a global authorized distributor of electronic components.

## Purchase and inquiry

Manufacturer Product Number:

FD6-56

Series:

Quick Pack

Type:

Laminated Core

Voltage - Secondary (Full Load):

56V

Primary Winding(s):

Dual

Center Tap:

Yes

Mounting Type:

Chassis Mount

Size / Dimension:

82.55mm L x 42.85mm W

Voltage - Isolation:

2500VAC

Manufacturer:

Triad Magnetics

Product Status:

Active

Voltage - Primary:

115V, 230V

Current - Output (Max):

540mA

Secondary Winding(s):

Single

Power - Max:

30VA

Termination Style:

Solder, Quick Connect - 0.187" (4.7mm)

Height - Seated (Max):

49.20mm

Weight:

1.1 lbs (499 g)

## Environmental & Export classification

RoHS Status:

ROHS3 Compliant

REACH Status:

REACH Unaffected

HTSUS:

8504.31.4035

Moisture Sensitivity Level (MSL):

Not Applicable

ECCN:

EAR99



## Power Transformer Chassis Mount: Quick Pack

### FD6-56

#### Description:

The FD6-56 Quick Pack small power transformer offers a significant reduction in size and weight over a standard transformer. This transformer can be used for a wide variety of applications. It is bobbin wound for reduced size and small operating space.

#### Electrical Specifications (@25C):

**Maximum Power:** 30.0VA

#### Input Voltage:

**Series:** 230VAC@50/60Hz

**Parallel:** 115VAC@50/60Hz

**Output Voltage:** 56.0VCT@0.54A<sup>1</sup>

**Recommended Fuse:** UL listed 250VAC, 700mA, Slo-Blo

**Hipot:** 2500VAC primary to secondary; 1500VAC windings to core.

#### Construction:

Split bobbin non concentric winding eliminates costly electrostatic shielding.

Termination is suitable for quick connects or soldering.

Built with UL Class B Insulation System.

#### Safety:

UL: File E53148, UL 5085-1 and 2 (formerly UL 506), General Purpose.

UL: File E65390, UL5085-1 and 3, Class 3

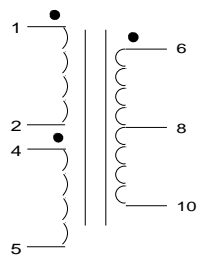


#### Dimensions:

A	B	C	D	E	F	G
1.937	2.812	3.250	1.687	2.312	.187 Dia	1.062

- Notes:**
- Units: inches.
  - Terminal size: .187" X 0.021".
  - Weight: 1.10 lbs

#### Schematic:



**Input (115V):** Input 1 & 2  
Connect 1&4, 2&5

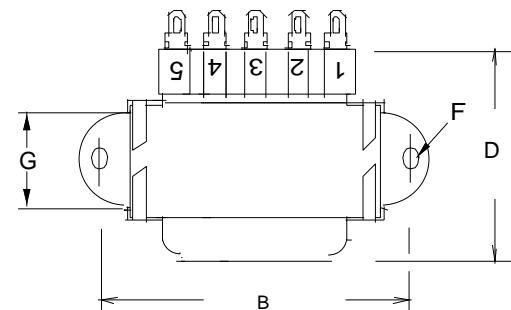
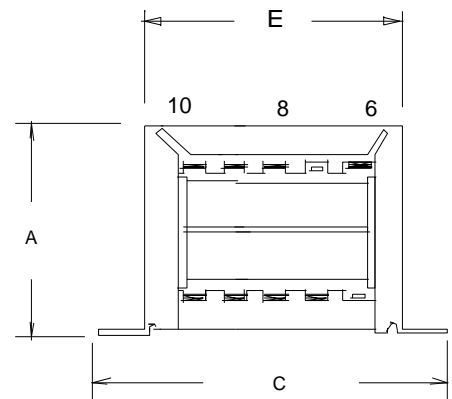
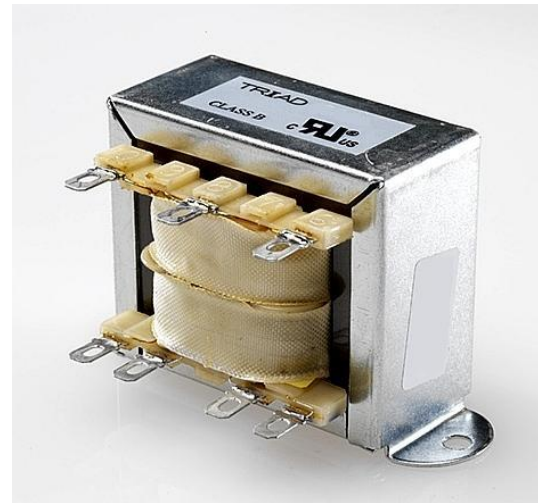
**Input (230V):** Input 1 & 5  
Connect 2&4

**Output:** 6 & 10

**RoHS Compliance:** As of manufacturing date February 2016, all standard products meet the requirements of 2015/863/EU, known as the RoHS 3 initiative.

\* Upon printing, this document is considered "uncontrolled". Please contact Triad Magnetics' website for the most current version.

<sup>1</sup> Fuse must be used on **secondary** as conditions of acceptability for UL Class 2/3 operation



## OUR CERTIFICATE

DiGi provide top-quality products and perfect service for customer worldwide through standardization, technological innovation and continuous improvement. DiGi through third-party certification, we stricly control the quality of products and services. Welcome your RFQ to

Email: [Info@DiGi-Electronics.com](mailto:Info@DiGi-Electronics.com)



Tel: +00 852-30501935

RFQ Email: [Info@DiGi-Electronics.com](mailto:Info@DiGi-Electronics.com)

DiGi is a global authorized distributor of electronic components.