

# TY-305P Datasheet

[www.digi-electronics.com](http://www.digi-electronics.com)



<https://www.DiGi-Electronics.com>

DiGi Electronics Part Number	TY-305P-DG
Manufacturer	<a href="#">Triad Magnetics</a>
Manufacturer Product Number	TY-305P
Description	TRANSF 600 OHM 100MA DC TEL
Detailed Description	600 Impedance Primary Ohms 600 Impedance Secondary Ohms 1:0.90 Audio Transformer 300Hz ~ 3.5 kHz Through Hole

This model TY-305P is available at DiGi Electronics.

DiGi Electronics offers a global database of semiconductor and electronic component datasheets.

We welcome your inquiries regarding pricing, lead time, or other product-related questions.

 [Request a Quote](#)

 [Datasheet Search](#)



Tel: +00 852-30501935

RFQ Email: [Info@DiGi-Electronics.com](mailto:Info@DiGi-Electronics.com)

DiGi is a global authorized distributor of electronic components.

## Purchase and inquiry

Manufacturer Product Number:

TY-305P

Series:

TY

Turns Ratio - Primary:Secondary:

1:0.90

Impedance - Secondary (Ohms):

600

DC Resistance (DCR) - Secondary:

610hm

Frequency Range:

300Hz ~ 3.5kHz

Voltage - Isolation:

1500VAC

Return Loss:

10dB Typ

Operating Temperature:

-20°C ~ 85°C

Mounting Type:

Through Hole

Height - Seated (Max):

0.680" (17.27mm)

Weight:

-

Manufacturer:

Triad Magnetics

Product Status:

Active

Impedance - Primary (Ohms):

600

DC Resistance (DCR) - Primary:

1080hm

Transformer Type:

Data/Voice Coupling

Frequency Response:

±0.5dB

Insertion Loss:

1.5dB Typ

Power Level:

-45dB ~ 7dB

Approval Agency:

-

Size / Dimension:

1.650" L x 1.375" W (41.91mm x 34.93mm)

Termination Style:

PC Pin

## Environmental & Export classification

RoHS Status:

ROHS3 Compliant

REACH Status:

REACH Unaffected

HTSUS:

8504.31.4035

Moisture Sensitivity Level (MSL):

Not Applicable

ECCN:

EAR99



## Audio Transformer Data/Voice Coupling

### TY - 305 P

#### Description:

The TY series transformers are used for a variety of applications including impedance matching, isolation, repeat coil, line balancing, bridging and hybrid circuits.

#### Electrical Specifications at 25° C:

Impedance (Ohms)		Max. DC Current (mA)	Typ. Insertion Loss (dB)	Typ. Return Loss (dB)	Typ. Freq. Response (dB)	DCR (Ohms)	
Pri	Sec					Pri	Sec
600	600	100	1.5	10	±.5	108	61

#### Designed to meet FCC Part 68

**Longitudinal Balance:** (FCC 68.310) – 60 dB min. 200 – 1000 Hz  
45 dB min. 1000 – 4000 Hz

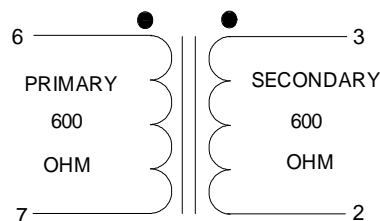
**Dielectric Strength:** (FCC 68.304) – 1500VAC

**Power Level:** -45 dBm to +7 dBm

**Frequency Range:** Data/Voice = 300 to 3500 Hz  
Data = 800 to 3500 Hz

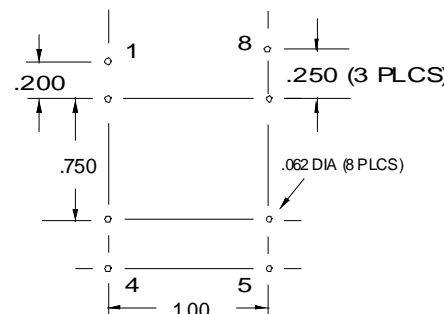
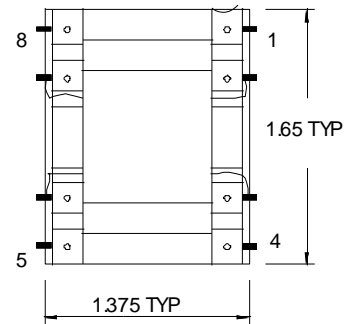
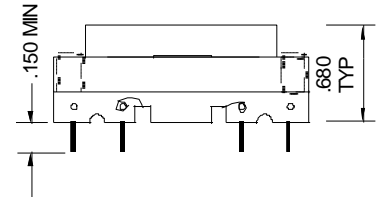
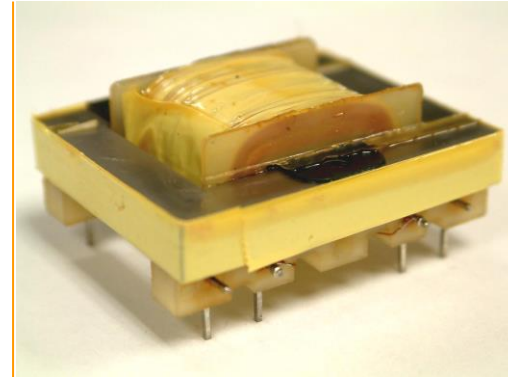
**Operating Temperature:** -20°C ~ 85°C

#### Schematic:



**RoHS Compliance:** As of manufacturing date February 2016, all standard products meet the requirements of 2015/863/EU, known as the RoHS 3 initiative.

\*Upon printing, this document is considered "uncontrolled". Please contact Triad Magnetics website for the most current version. For soldering and washing information please see <http://www.triadmagnetics.com/faq.html>



UNIT MOUNTING PATTERN

web: [www.TriadMagnetics.com](http://www.TriadMagnetics.com)  
Phone 951-277-0757  
Fax 951-277-2757

460 Harley Knox Blvd.  
Perris, California 92571

Publish Date: May 31, 2019

## OUR CERTIFICATE

DiGi provide top-quality products and perfect service for customer worldwide through standardization, technological innovation and continuous improvement. DiGi through third-party certification, we strictly control the quality of products and services. Welcome your RFQ to

Email: [Info@DiGi-Electronics.com](mailto:Info@DiGi-Electronics.com)



Tel: +00 852-30501935

RFQ Email: [Info@DiGi-Electronics.com](mailto:Info@DiGi-Electronics.com)

DiGi is a global authorized distributor of electronic components.