

TY-306P Datasheet



<https://www.DiGi-Electronics.com>

DiGi Electronics Part Number	TY-306P-DG
Manufacturer	Triad Magnetics
Manufacturer Product Number	TY-306P
Description	TRANSF 600 SPLIT PRI .75MA DC TE
Detailed Description	600, 150/150 Impedance Primary Ohms 600 Impedance Secondary Ohms 1:1 Audio Transformer 300Hz ~ 3.5kHz Through Hole

This model TY-306P is available at DiGi Electronics.

DiGi Electronics offers a global database of semiconductor and electronic component datasheets.

We welcome your inquiries regarding pricing, lead time, or other product-related questions.

 [Request a Quote](#)

 [Datasheet Search](#)



Tel: +00 852-30501935

RFQ Email: Info@DiGi-Electronics.com

DiGi is a global authorized distributor of electronic components.

Purchase and inquiry

Manufacturer Product Number:

TY-306P

Series:

TY

Turns Ratio - Primary:Secondary:

1:1

Impedance - Secondary (Ohms):

600

DC Resistance (DCR) - Secondary:

1080hm

Frequency Range:

300Hz ~ 3.5kHz

Voltage - Isolation:

1500VAC

Return Loss:

10dB Typ

Operating Temperature:

-20°C ~ 85°C

Mounting Type:

Through Hole

Height - Seated (Max):

0.680" (17.27mm)

Weight:

-

Manufacturer:

Triad Magnetics

Product Status:

Active

Impedance - Primary (Ohms):

600, 150/150

DC Resistance (DCR) - Primary:

310hm, 310hm

Transformer Type:

Data/Voice Coupling

Frequency Response:

±0.5dB

Insertion Loss:

1.5dB Typ

Power Level:

-45dB ~ 7dB

Approval Agency:

-

Size / Dimension:

1.650" L x 1.375" W (41.91mm x 34.93mm)

Termination Style:

PC Pin

Environmental & Export classification

RoHS Status:

ROHS3 Compliant

REACH Status:

REACH Unaffected

HTSUS:

8504.31.4035

Moisture Sensitivity Level (MSL):

Not Applicable

ECCN:

EAR99



Audio Transformer Data/Voice Coupling

TY - 306 P

Description:

The TY series transformers are used for a variety of applications including impedance matching, isolation, repeat coil, line balancing, bridging and hybrid circuits.

Electrical Specifications at 25° C:

Impedance (Ohms)		Max. DC Current (mA)	Typ. Insertion Loss (dB)	Typ. Return Loss (dB)	Typ. Freq. Response (dB)	DCR (Ohms)	
Pri	Sec					Pri	Sec
600§	600	75	1.5	10	±.5	31/31	108

§ = Split Winding

Designed to meet FCC Part 68

Longitudinal Balance: (FCC 68.310) – 60 dB min. 200 – 1000 Hz
45 dB min. 1000 – 4000 Hz

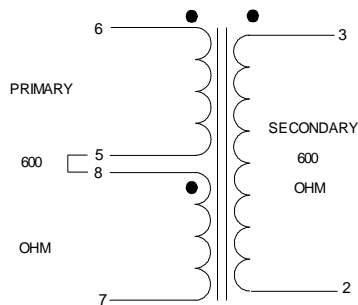
Dielectric Strength: (FCC 68.304) – 1500VAC

Power Level: -45 dBm to +7 dBm

Frequency Range: Data/Voice = 300 to 3500 Hz
Data = 800 to 3500 Hz

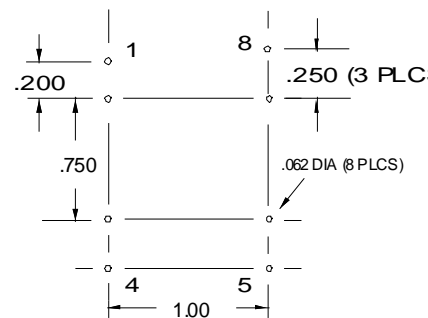
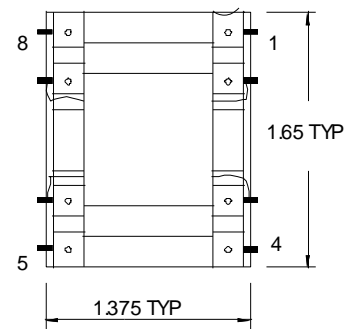
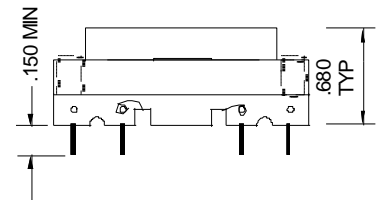
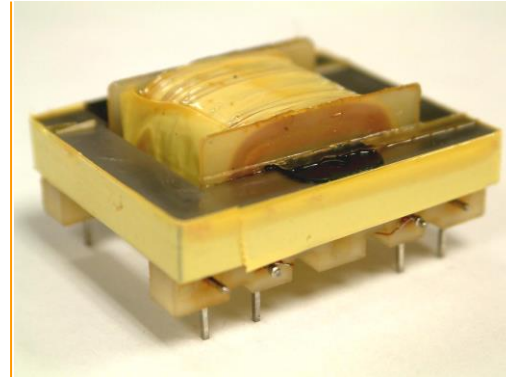
Operating Temperature: -20°C ~ 85°C

Schematic:



RoHS Compliance: As of manufacturing date February 2016, all standard products meet the requirements of 2015/863/EU, known as the RoHS 3 initiative.

*Upon printing, this document is considered "uncontrolled". Please contact Triad Magnetics website for the most current version. For soldering and washing information please see <http://www.triadmagnetics.com/faq.html>



web: www.TriadMagnetics.com
Phone 951-277-0757
Fax 951-277-2757

460 Harley Knox Blvd.
Perris, California 92571

Publish Date: May 31, 2019

OUR CERTIFICATE

DiGi provide top-quality products and perfect service for customer worldwide through standardization, technological innovation and continuous improvement. DiGi through third-party certification, we stricly control the quality of products and services. Welcome your RFQ to

Email: Info@DiGi-Electronics.com



Tel: +00 852-30501935

RFQ Email: Info@DiGi-Electronics.com

DiGi is a global authorized distributor of electronic components.