

TY-401P Datasheet



<https://www.DiGi-Electronics.com>

DiGi Electronics Part Number	TY-401P-DG
Manufacturer	Triad Magnetics
Manufacturer Product Number	TY-401P
Description	TRANSF 600 OHM CTAP 90MA DC TE
Detailed Description	600CT Impedance Primary Ohms 600CT Impedance Secondary Ohms 1:1.07 Audio Transformer 300Hz ~ 3.5kHz Through Hole

This model TY-401P is available at DiGi Electronics.

DiGi Electronics offers a global database of semiconductor and electronic component datasheets.

We welcome your inquiries regarding pricing, lead time, or other product-related questions.

 [Request a Quote](#)

 [Datasheet Search](#)



Tel: +00 852-30501935

RFQ Email: Info@DiGi-Electronics.com

DiGi is a global authorized distributor of electronic components.

Purchase and inquiry

Manufacturer Product Number:

TY-401P

Series:

TY

Turns Ratio - Primary:Secondary:

1:1.07

Impedance - Secondary (Ohms):

600CT

DC Resistance (DCR) - Secondary:

108Ohm

Frequency Range:

300Hz ~ 3.5kHz

Voltage - Isolation:

1500VAC

Return Loss:

15dB Typ

Operating Temperature:

-20°C ~ 85°C

Mounting Type:

Through Hole

Height - Seated (Max):

0.750" (19.05mm)

Weight:

-

Manufacturer:

Triad Magnetics

Product Status:

Active

Impedance - Primary (Ohms):

600CT

DC Resistance (DCR) - Primary:

76.53Ohm

Transformer Type:

Data/Voice Coupling

Frequency Response:

±0.5dB

Insertion Loss:

1.75dB Typ

Power Level:

-45dB ~ 7dB

Approval Agency:

-

Size / Dimension:

0.820" L x 0.715" W (20.83mm x 18.16mm)

Termination Style:

PC Pin

Environmental & Export classification

RoHS Status:

ROHS3 Compliant

REACH Status:

REACH Unaffected

HTSUS:

8504.31.4035

Moisture Sensitivity Level (MSL):

Not Applicable

ECCN:

EAR99



Audio Transformer Data/Voice Coupling

TY - 401 P

Description:

The TY series transformers are used for a variety of applications including impedance matching, isolation, repeat coil, line balancing, bridging and hybrid circuit.

Electrical Specifications at 25° C:

Impedance (Ohms)		Max. DC Current (mA)	Typ. Insertion Loss (dB)	Typ. Return Loss (dB)	Typ. Freq. Response (dB)	DCR (Ohms)	
Pri	Sec					Pri	Sec
600CT	600CT	90	1.75	15	±.5	76.53	108

CT = Center Tap

Designed to meet FCC Part 68

Longitudinal Balance: (FCC 68.310) – 60 dB min. 200 – 1000 Hz
45 dB min. 1000 – 4000 Hz

Dielectric Strength: (FCC 68.304) – 1500VAC

Power Level: -45 dBm to +7 dBm

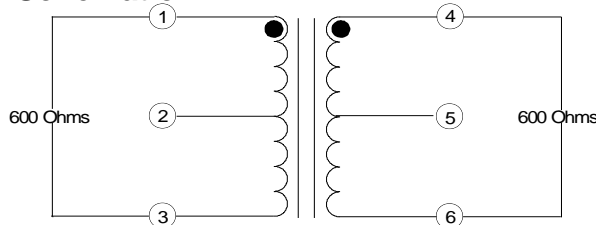
Frequency Range: 300 to 3500 Hz

Operating Temperature: -20°C ~ 85°C

Outline Dimensions:

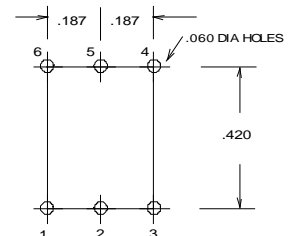
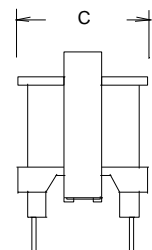
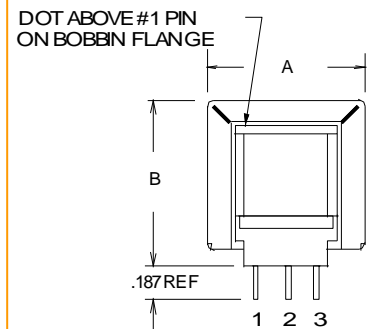
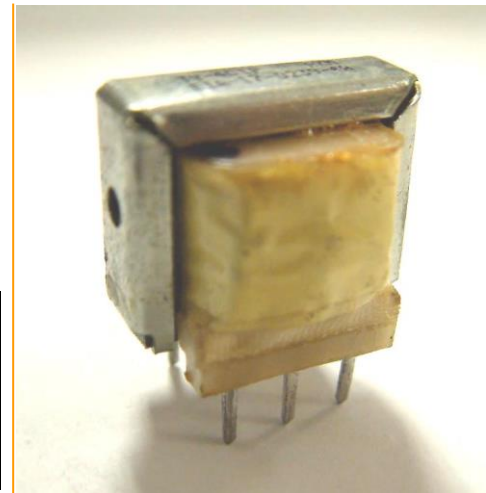
A	B	C
.820 Max	.750 Max	.715 Max

Electrical Schematic:



RoHS Compliance: As of manufacturing date February 2016, all standard products meet the requirements of 2015/863/EU, known as the RoHS 3 initiative.

*Upon printing, this document is considered “uncontrolled”. Please contact Triad Magnetics website for the most current version. For soldering and washing information please see <http://www.triadmagnetics.com/faq.html>



web: www.TriadMagnetics.com
Phone 951-277-0757
Fax 951-277-2757

460 Harley Knox Blvd.
Perris, California 92571

Publish Date: May 31, 2019

OUR CERTIFICATE

DiGi provide top-quality products and perfect service for customer worldwide through standardization, technological innovation and continuous improvement. DiGi through third-party certification, we stricly control the quality of products and services. Welcome your RFQ to

Email: Info@DiGi-Electronics.com



Tel: +00 852-30501935

RFQ Email: Info@DiGi-Electronics.com

DiGi is a global authorized distributor of electronic components.