

# LD1117-3.3 Datasheet

[www.digi-electronics.com](http://www.digi-electronics.com)



<https://www.DiGi-Electronics.com>

DiGi Electronics Part Number	LD1117-3.3-DG
Manufacturer	<a href="#">UMW</a>
Manufacturer Product Number	LD1117-3.3
Description	SOT223-3L LINEAR VOLTAGE REGULAT
Detailed Description	Linear Voltage Regulator IC Positive Fixed 1 Output 1A SOT-223-3L

This model LD1117-3.3 is available at DiGi Electronics.

DiGi Electronics offers a global database of semiconductor and electronic component datasheets.

We welcome your inquiries regarding pricing, lead time, or other product-related questions.

 [Request a Quote](#)

 [Datasheet Search](#)



Tel: +00 852-30501935

RFQ Email: [Info@DiGi-Electronics.com](mailto:Info@DiGi-Electronics.com)

DiGi is a global authorized distributor of electronic components.

## Purchase and inquiry

**Manufacturer Product Number:**

LD1117-3.3

**Series:**

-

**Output Configuration:**

Positive

**Number of Regulators:**

1

**Voltage - Output (Min/Fixed):**

3.3V

**Voltage Dropout (Max):**

1.3V @ 1A

**Current - Quiescent (Iq):**

10 mA

**Control Features:**

Current Limit

**Operating Temperature:**

-40°C ~ 125°C (TJ)

**Package / Case:**

TO-261-4, TO-261AA

**Manufacturer:**

UMW

**Product Status:**

Active

**Output Type:**

Fixed

**Voltage - Input (Max):**

12V

**Voltage - Output (Max):**

-

**Current - Output:**

1A

**PSRR:**

75dB (120Hz)

**Protection Features:**

Over Current, Over Temperature

**Mounting Type:**

Surface Mount

**Supplier Device Package:**

SOT-223-3L

## Environmental & Export classification

**RoHS Status:**

ROHS3 Compliant

**REACH Status:**

REACH Unaffected

**HTSUS:**

8542.39.0001

**Moisture Sensitivity Level (MSL):**

1 (Unlimited)

**ECCN:**

EAR99

## DESCRIPTION

The LD1117 is a positive low voltage dropout regulator; typical voltage dropout is only 1.2V at 1A.

LD1117 provides two versions: fixed and adjustable versions. VOUT has a tolerance of less than 1.5% for fixed versions 1.2V, 1.5V, 1.8V, 2.5V, 3.3V, 5.0V and adjustable version or 2% output accuracy for fixed version 1.2V.

The LD1117 offers some key features include thermal shutdown and current limiting. It is suitable for all electronic products.

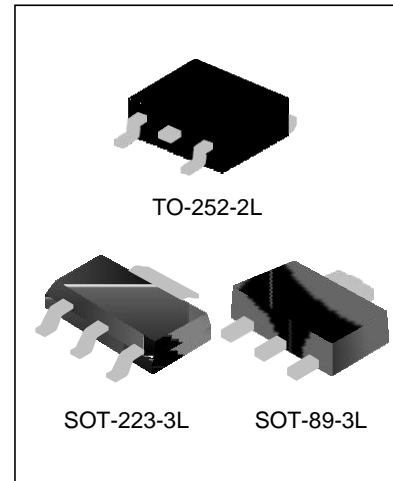
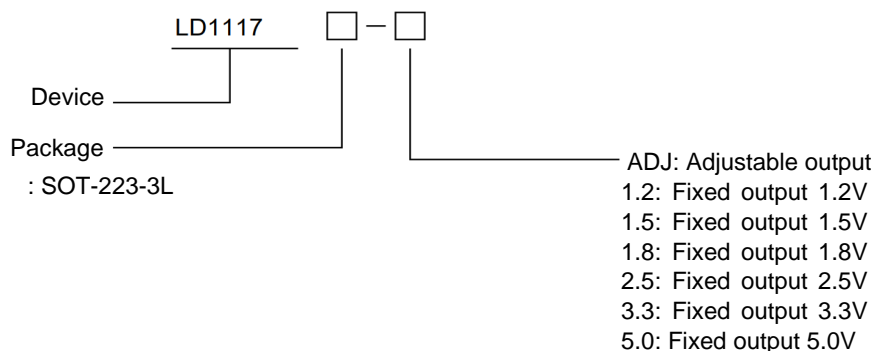
## FEATURES

- ◆ 1.5% output accuracy for fixed versions 1.2V, 1.5V, 1.8V, 2.5V, 3.3V, 5.0V and adjustable version
- ◆ Adjustable output voltage
- ◆ Low Dropout Voltage: Typical 1.2V@1A
- ◆ Current Limiting
- ◆ Thermal Shutdown
- ◆ Temperature Range: -40°C to 125°C

## APPLICATIONS

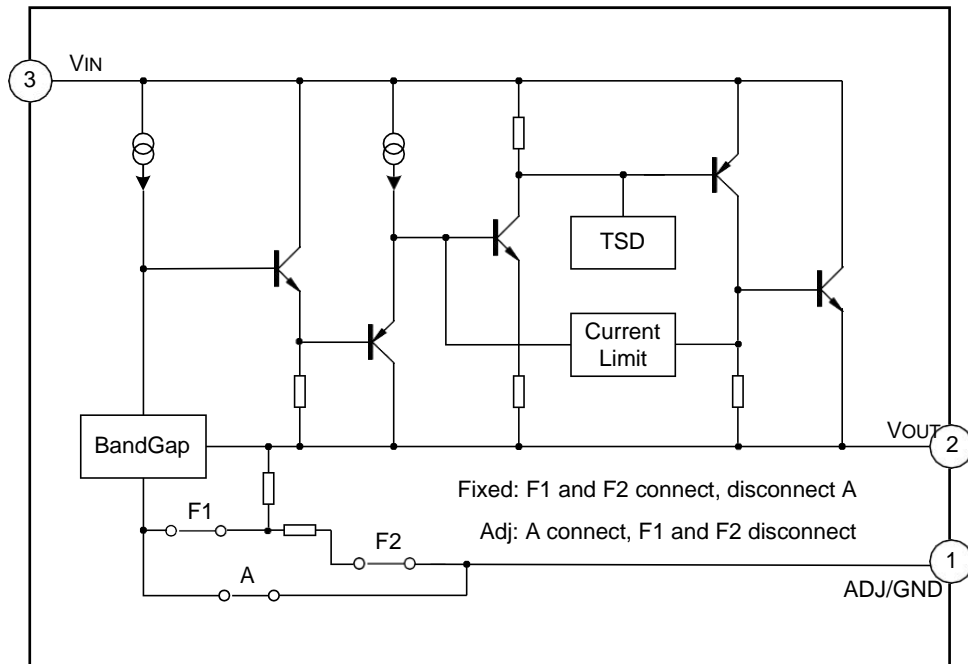
- ◆ Laptop, Palmtop, and Notebook Computers
- ◆ Battery Charger
- ◆ SCSI-II Active Terminator
- ◆ Cellular Phone
- ◆ Cordless Telephones
- ◆ Battery Powered Systems
- ◆ Portable Instrumentation
- ◆ SMPS Post-Regulator

## NOMENCLATURE



## BLOCK DIAGRAM

## 1A LDO Voltage Regulator



## ABSOLUTE MAXIMUM RATINGS

Characteristics		Symbol	Rating	Unit
Input Supply Voltage		$V_{IN}$	15	V
Lead Temperature (Soldering, 5 seconds)		$T_{Lead}$	260	°C
Operating Junction Temperature Range		$T_J$	150	°C
Storage Temperature Range		$T_{stg}$	-65 ~ +150	V
Power Dissipation		$P_D$	Internally Limited (Note1)	mW
Thermal Resistance from Junction to Ambient	SOT-223-3L	R <sub>ja</sub>	88	°C/W
	TO-252-2L		86	
	SOT-89-3L		102	
ESD Tolerance (Minimum)		ESD	2000	V

**Note1:** The maximum allowable power dissipation is a function of maximum operating junction temperature,  $T_J$  (max), the junction to ambient thermal resistance,  $R_{ja}$ , and the ambient temperature  $T_{amb}$ . The maximum allowable power dissipation at any ambient temperature is given:  $P_{D(max)} = (T_J(max) - T_{amb}) / R_{ja}$ , exceeding the maximum allowable power limit will result in excessive die temperature; thus, the regulator will go into thermal shutdown. The junction to ambient thermal resistance,  $\theta_{JA}$  of some packages may be different, The value of  $\theta_{JA}$  depends on mounting technique.

## RECOMMENDED OPERATING CONDITIONS

Characteristics	Symbol	Rating	Unit
Input voltage	$V_{IN}$	12	V
Operating Junction Temperature Range	$T_J$	-40 ~ +125	°C

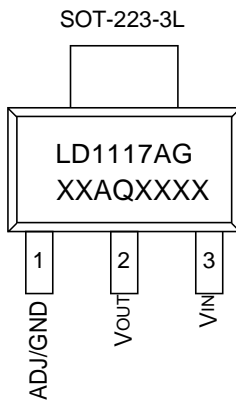


## ELECTRICAL CHARACTERISTICS

Characteristics	Symbol	Conditions	Min.	Typ.	Max.	Unit
Reference Voltage	$V_{REF}$	LD1117-ADJ, $I_{OUT}=10mA$ , $V_{IN}-V_{OUT}=2V$ , $T_J=25^{\circ}C$ $10mA \leq I_{OUT} \leq 1A$ , $1.4V \leq V_{IN}-V_{OUT} \leq 10V$	1.231 1.225	1.250 1.250	1.268 1.275	V
Output Voltage	$V_{OUT}$	LD1117-1.2, $I_{OUT}=10mA$ , $V_{IN}=3.2V$ , $T_J=25^{\circ}C$ $10mA \leq I_{OUT} \leq 1A$ , $3.0V \leq V_{IN} \leq 10V$	1.176 1.152	1.2 1.2	1.224 1.248	V
		LD1117-1.5, $I_{OUT}=10mA$ , $V_{IN}=3.5V$ , $T_J=25^{\circ}C$ $10mA \leq I_{OUT} \leq 1A$ , $3.0V \leq V_{IN} \leq 10V$	1.477 1.470	1.500 1.500	1.5221 .530	V
		LD1117-1.8, $I_{OUT}=10mA$ , $V_{IN}=3.8V$ , $T_J=25^{\circ}C$ , $0 \leq I_{OUT} \leq 1A$ , $3.2V \leq V_{IN} \leq 10V$	1.7731 .746	1.800 1.800	1.827 1.854	V
		LD1117-2.5, $I_{OUT}=10mA$ , $V_{IN}=4.5V$ , $T_J=25^{\circ}C$ , $0 \leq I_{OUT} \leq 1A$ , $3.9V \leq V_{IN} \leq 10V$	2.462 2.450	2.500 2.500	2.538 2.550	V
		LD1117-3.3, $I_{OUT}=10mA$ , $V_{IN}=5V$ , $T_J=25^{\circ}C$ , $0 \leq I_{OUT} \leq 1A$ , $4.75V \leq V_{IN} \leq 10V$	3.250 3.235	3.300 3.300	3.349 3.365	V
		LD1117-5.0, $I_{OUT}=10mA$ , $V_{IN}=7V$ , $T_J=25^{\circ}C$ , $0 \leq I_{OUT} \leq 1A$ , $6.5V \leq V_{IN} \leq 12V$	4.925 4.900	5.000 5.000	5.075 5.10	V
Output Voltage Temperature Stability	$TS_{OUT}$		--	0.3	--	%
Line Regulation	$R_{line}$	$V_{INMIN} \leq V_{IN} \leq 12V$ , $V_{OUT}=\text{Fixed/Adj}$ , $I_{OUT}=10mA$	--	9	18	mV
Load Regulation	$R_{load}$	$10mA \leq I_{OUT} \leq 1A$ , $V_{OUT}=\text{Fixed/Adj}$	--	10	18	mV
Dropout Voltage	$V_{drop}$	$I_{OUT}=100mA$ $I_{OUT}=500mA$ $I_{OUT}=1A$	--	1.00 1.05 1.20	1.20 1.25 1.30	V
Quiescent Current	$I_q$	$4.25V \leq V_{IN} \leq 6.5V$	--	5	10	mA
Ripple Rejection	$P_{SRR}$	$f_{RIPPLE}=120Hz$ , $(V_{IN}-V_{OUT})=3V$ , $V_{RIPPLE}=1V_{PP}$	60	75	--	dB
Adjust pin Current	$I_{adj}$		--	60	120	$\mu A$
Adjust pin Current Change		$0 \leq I_{OUT} \leq 1A$ , $1.4V \leq V_{IN}-V_{OUT} \leq 10V$	--	0.2	5	$\mu A$
Thermal shutdown	TSD		--	150	--	$^{\circ}C$
Current limiting	$I_{limit}$		2.1	--	2.5	A
Temperature Stability			--	0.5	--	%
Long Term Stability		$T_A=125^{\circ}C$ , 1000Hrs	--	0.3	--	%

Characteristics	Symbol	Conditions	Min.	Typ.	Max.	Unit
RMS Output Noise		% of $V_{OUT}$ , $10\text{Hz} \leq f \leq 10\text{kHz}$	--	0.003	--	%

PIN CONFIGURATION



"XX": Voltage  
 "XXXX": LOT NO.

PIN DESCRIPTION

Pin No.	Pin name	I/O	Functions
1	GND/ADJ	--/O	Ground/ADJ
2	VOUT	O	Output voltage
3	VIN	I	Input supply voltage

FUNCTION DESCRIPTION

The LD1117 is a LDO regulator, its pass transistor is made up of a single NPN transistor being driven by a PNP. The dropout voltage is defined as:  $V_{DROP} = V_{BE} + V_{SAT}$ .  
 The LD1117 series of fixed and adjustable regulators are easy to use. Output voltages are 1.2V, 1.5V, 1.8V, 2.5V, 3.3V, and 5.0V. On-chip thermal shut down provides protection against any combination of overload and ambient temperature that would create excessive junction temperature.  
 The LD1117 requires an output capacitor for device stability. Its value of 22 $\mu$ F tantalum covers all cases of bypassing the adjustment terminal. Without bypassing the adjustment terminal smaller capacitors can be used with equally good results which depend upon the application circuit. In general, linear regulator stability decreases with higher output currents.

TYPICAL APPLICATION CIRCUIT

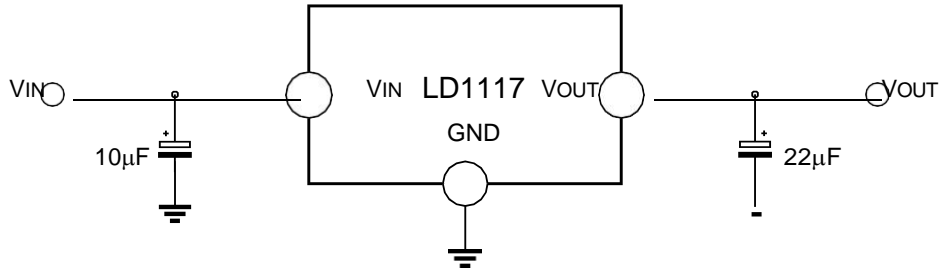


Figure 1. Typical Fixed Output Voltage

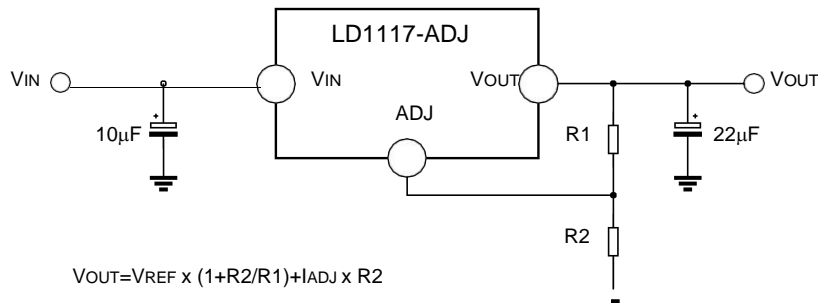
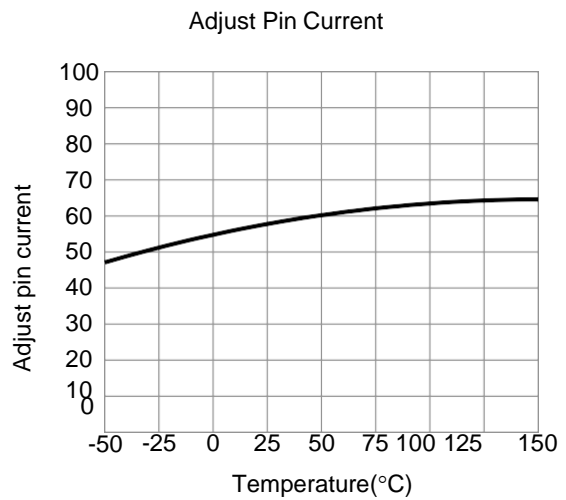
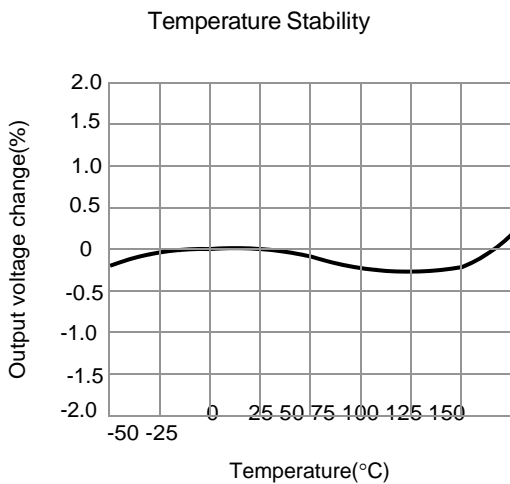


Figure 2. Typical Adjustable Output Voltage

**Note:** The circuit and parameters are reference only, please set the parameters of the real application circuit based on the real test.

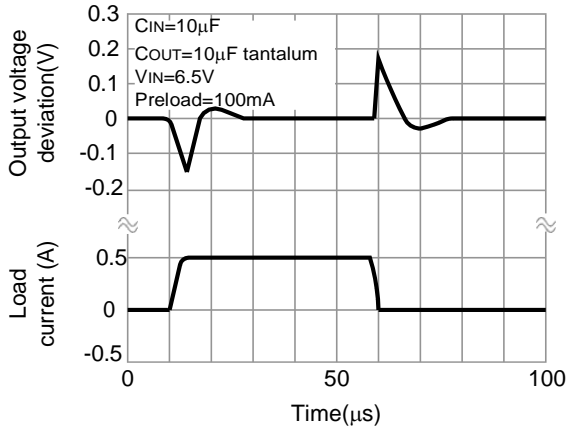
TYPICAL CHARACTERISTICS



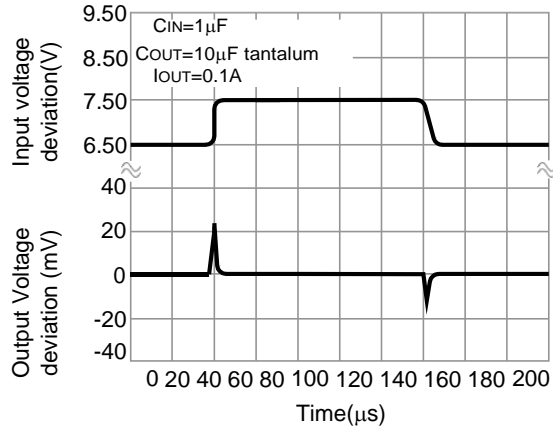


TYPICAL CHARACTERISTICS CURVES(continued)

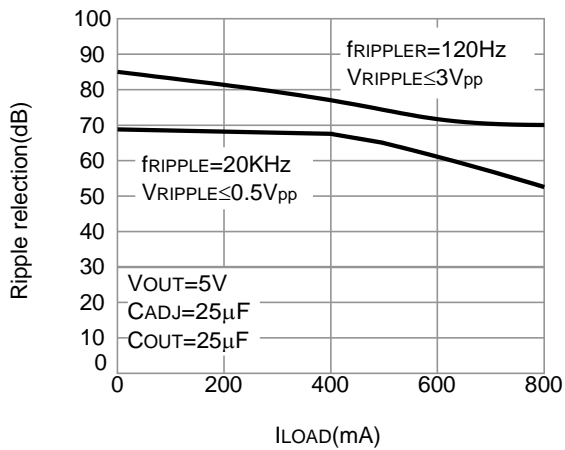
$V_{OUT}=5\text{ V}$  Load Transient Response



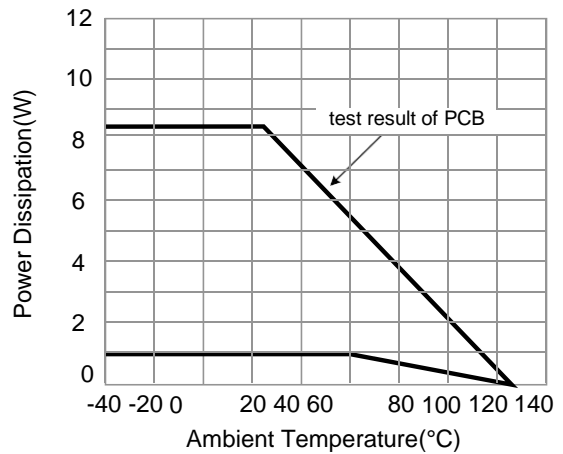
$V_{OUT}=5\text{ V}$  Line Transient Response



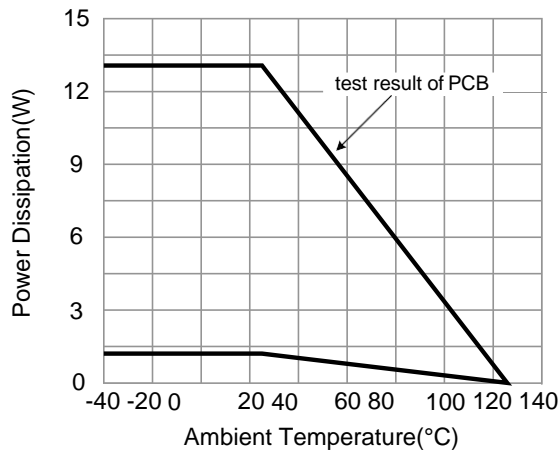
Ripple Rejection VS Current



Power Dissipation VS Ambient Temperature(SOT-223)

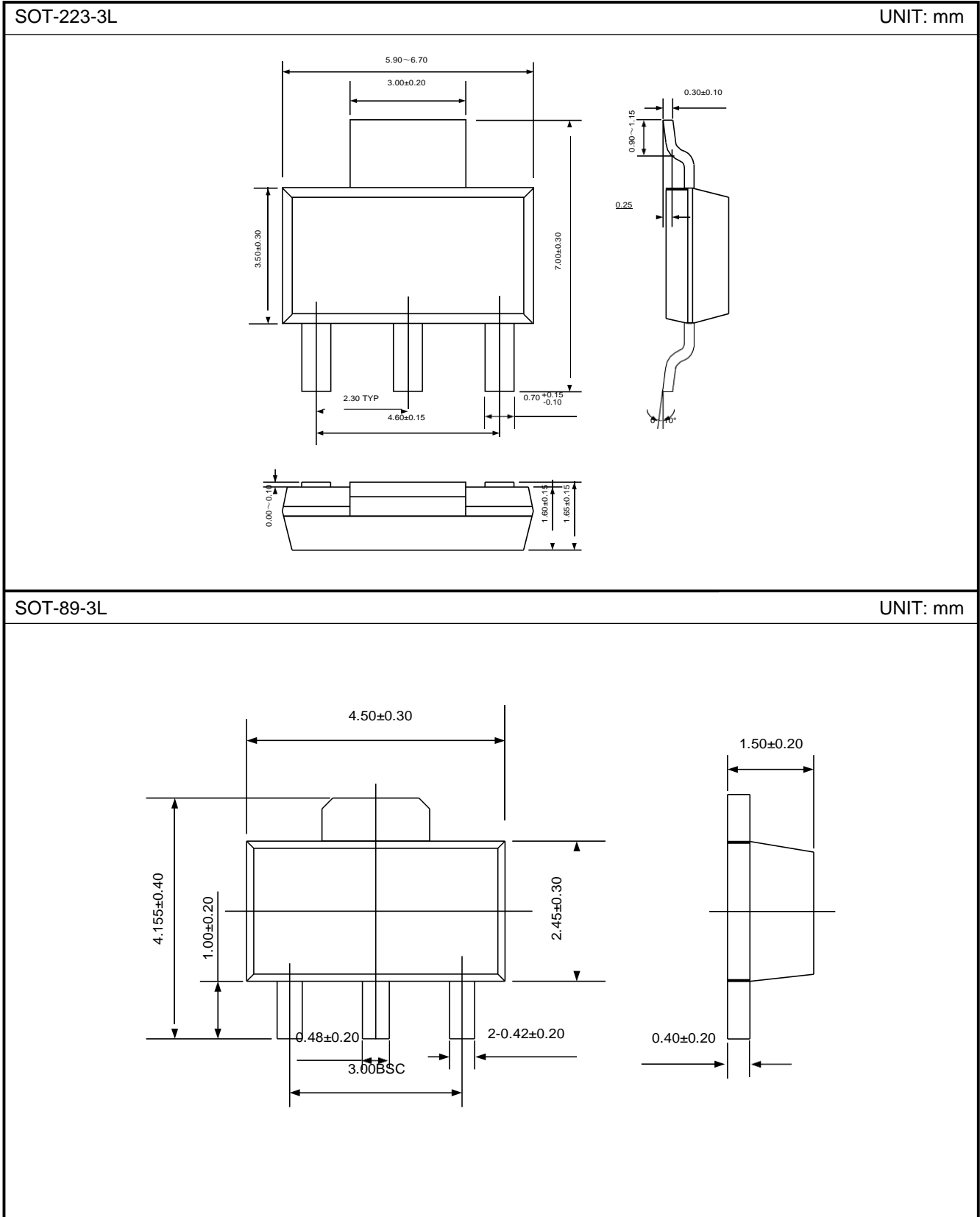


Power Dissipation VS Ambient Temperature(TO-252)



## PACKAGE OUTLINE

## 1A LDO Voltage Regulator





## OUR CERTIFICATE

DiGi provide top-quality products and perfect service for customer worldwide through standardization, technological innovation and continuous improvement. DiGi through third-party certification, we stricly control the quality of products and services. Welcome your RFQ to  
 Email: [Info@DiGi-Electronics.com](mailto:Info@DiGi-Electronics.com)



Tel: +00 852-30501935

RFQ Email: [Info@DiGi-Electronics.com](mailto:Info@DiGi-Electronics.com)

DiGi is a global authorized distributor of electronic components.