

SN74LVC1G08DBVR Datasheet

www.digi-electronics.com



<https://www.DiGi-Electronics.com>

DiGi Electronics Part Number	SN74LVC1G08DBVR-DG
Manufacturer	UMW
Manufacturer Product Number	SN74LVC1G08DBVR
Description	IC GATE AND 1CH 2-INP SOT23-5
Detailed Description	AND Gate IC 1 Channel SOT-23-5

This model SN74LVC1G08DBVR is available at DiGi Electronics.

DiGi Electronics offers a global database of semiconductor and electronic component datasheets.

We welcome your inquiries regarding pricing, lead time, or other product-related questions.

 [Request a Quote](#)

 [Datasheet Search](#)



Tel: +00 852-30501935

RFQ Email: Info@DiGi-Electronics.com

DiGi is a global authorized distributor of electronic components.

Purchase and inquiry

Manufacturer Product Number:

SN74LVC1G08DBVR

Series:

74LVC

Logic Type:

AND Gate

Number of Inputs:

2

Voltage - Supply:

1.65V ~ 5.5V

Current - Output High, Low:

32mA, 32mA

Input Logic Level - High:

1.7V

Operating Temperature:

-40°C ~ 105°C

Supplier Device Package:

SOT-23-5

Base Product Number:

74LVC1G08

Manufacturer:

UMW

Product Status:

Active

Number of Circuits:

1

Features:

-

Current - Quiescent (Max):

10 μ A

Input Logic Level - Low:

-

Max Propagation Delay @ V, Max CL:

10ns @ 5V, 15pF

Mounting Type:

Surface Mount

Package / Case:

SC-74A, SOT-753

Environmental & Export classification

RoHS Status:

ROHS3 Compliant

REACH Status:

REACH Unaffected

HTSUS:

8542.39.0001

Moisture Sensitivity Level (MSL):

1 (Unlimited)

ECCN:

EAR99

■ Product introduction

SN74LVC1G08 is a 2-input AND gate integrated circuit, which can realize the mathematical logic operation of $Y = A \cdot B$ and $Y = \overline{A + B}$. Advanced CMOS process design is adopted, which has the working characteristics of low power consumption and high output driving capability. The chip can work normally when the power supply voltage VCC is between 1.65V and 5.5V V. And 74LVC1G08 has a variety of small package shapes, It can be widely used in high-end precision instruments, miniaturized low-power handheld devices, artificial intelligence and other fields.

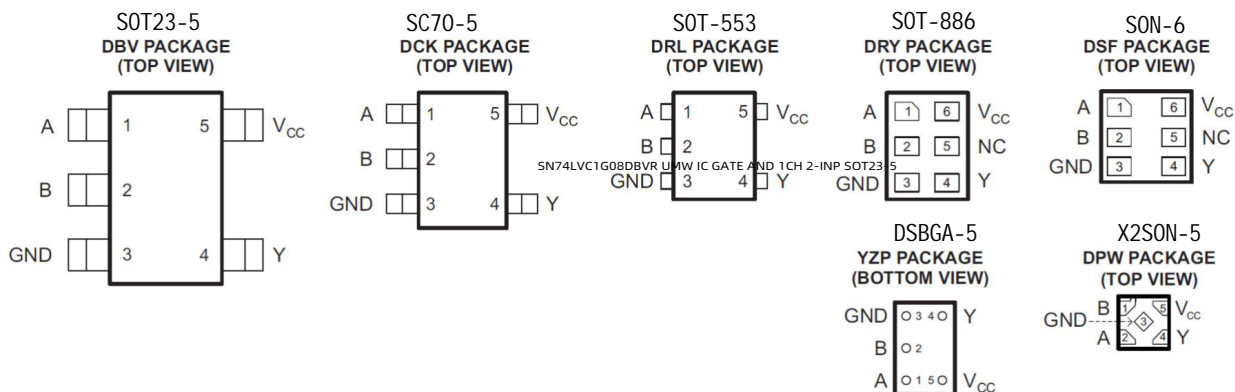
■ Product features

- Low input current: 0.1uA typical
- Low static power consumption: 0.1uA typical
- High output drive: VCC=4.5V, more than 32MA
- Wide working voltage range: 1.65V to 5.5V
- Package form: DBV/DCK/DRL/YZP/ DRY/DSF/ DPW

■ product usage

- Portable audio interface
- digital television
- Wireless headphones, smart watches, etc.
- Blu-ray player and home theater
- Solid state drive
- Smart wearable devices

■ Package form and pin function definition



NAME	PIN			DESCRIPTION
	DBV, DCK, DRL, YZP	DRY, DSF	DPW	
A	1	1	2	Input
B	2	2	1	Input
GND	3	3	3	Ground
Y	4	4	4	Output
V _{CC}	5	6	5	Power pin
NC		5		Not connected

Note: NC null pin, no connecting wire inside.

■ Limit parameter

parameter	symbol	limit value	unit
operating voltage	V _{CC}	6.5	V
input	V _{IN}	-0.5~6.5	V
Output voltage (1)	V _{OUT}	-0.5~6.5	V
Single pin output current	I _{OUT}	25	mA
Or Vcc current.	I _{CC}	50	mA
Storage temperature	T _S	-65-150	°C
Pin welding temperature	T _W	260, 10s	°C
Working temperature	T _A	-40-105	°C

Note: 1. Under the condition of V_{CC} = 0V power-off, the output can withstand the limit voltage,

2. Limit parameter refers to the limit value that cannot be exceeded under any condition. In case of exceeding this limit value, physical properties such as product degradation may be caused Damage;

At the same time, the chip can not be guaranteed to work normally under the near limit parameters.

■ Principle logic diagram



■ truth table

Inputs		Output
A	B	Y
L	L	L
L	H	L
H	L	L
H	H	H

■ working conditions

project	symbol	test condition	minimum value	typical value	maximum	unit
operating voltage	V _{CC}	-	1.65	-	5.5	V
Input high level voltage	V _{IH}	V _{CC} =1.65V~1.95V	0.65* V _{CC}	-	-	V
		V _{CC} =2.3V~2.7V	1.7V	-	-	
		V _{CC} =3V~5.5V	0.7* V _{CC}	-	-	
Input high level voltage	V _{IH}	V _{CC} =1.65V~1.95V	-	-	0.35* V _{CC}	V
		V _{CC} =2.3V~2.7V	-	-	0.7	
		V _{CC} =3V~5.5V	-	-	0.3* V _{CC}	
input voltage	V _I	-	0	-	5.5	V
Output voltage	V _O	-	0	-	V _{CC}	V
High level output current	I _{OH}	V _{CC} =1.65V	-	-	-4	mA
		V _{CC} =2.3V	-	-	-8	
		V _{CC} =3V	-	-	-16	
		V _{CC} =4.5V	-	-	-32	
Low level output current	I _{OL}	V _{CC} =1.65V	-	-	4	mA
		V _{CC} =2.3V	-	-	8	
		V _{CC} =3V	-	-	16	
		V _{CC} =4.5V	-	-	32	

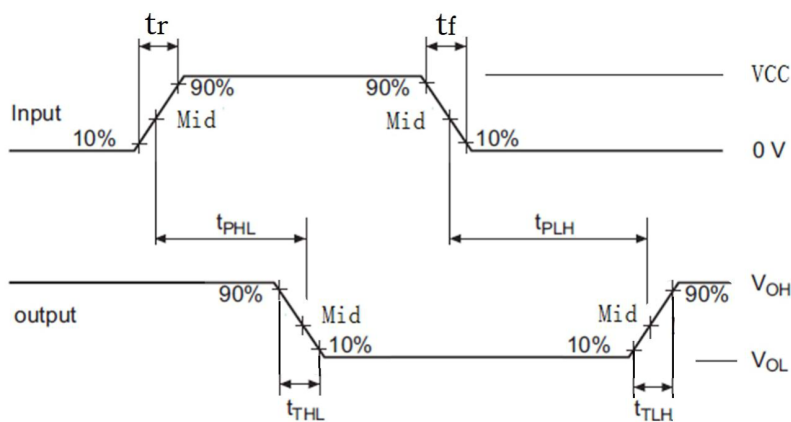
Electrical characteristics

Electrical characteristics of DC: $T_A=25^{\circ}\text{C}$

project	symbol	test condition	V_{CC}	typical value	maximum	unit	
High level load voltage	V_{OH}	$I_{OH}=-100\mu\text{A}$	1.65V~5.5V	1.64	-	V	
		$I_{OH}=-4\text{ mA}$	1.65V	1.47	-		
		$I_{OH}=-8\text{ mA}$	2.3V	2.15	-		
		$I_{OH}=-16\text{ mA}$	3V	2.73	-		
		$I_{OH}=-32\text{ mA}$	4.5V	4.0	-		
Low level load voltage	V_{OL}	$I_{OH}=100\mu\text{A}$	1.65V~5.5V	0.01	-	V	
		$I_{OH}=4\text{ mA}$	1.65V	0.11	-		
		$I_{OH}=8\text{ mA}$	2.3V	0.11	-		
		$I_{OH}=16\text{ mA}$	3V	0.2	-		
		$I_{OH}=32\text{ mA}$	4.5V	0.35	-		
incoming current	I_I	A	$V_I=5.5\text{V or GND}$	0~5.5V	0.01	± 5	uA
		B			0.01	± 5	
Turn-off current	I_{OFF}	V_I	$V_I=5.5\text{V}$	0	0.01	± 10	uA
		V_O	$V_O=5.5\text{V}$	0	0.01	± 10	
operational current	I_{CC}	$V_I=5.5\text{V}, I_O=0$	1.65V~5.5V		0.01	10	uA
		$V_I=\text{GND}, I_O=0$			0.01	10	
Working current variation value	ΔI_{CC}	A= $V_{CC}-0.6\text{V}$ B= $V_{CC}\text{ or GND}$	3V~5.5V		25	-	uA
		B= $V_{CC}-0.6\text{V}$ A= $V_{CC}\text{ or GND}$			25	-	

Ac electrical characteristics: $T_A=25^{\circ}\text{C}$ $V(298)=5.0\text{V}$, $t_r \leq 20\text{ns}$. See test method.

project	symbol	test condition	minimum value	typical value	maximum	unit
Maximum transmission delay time a, B to Y	t_{PHL}	$C_L=15\text{pF}$	-	10	-	ns
	t_{PLH}	$C_L=15\text{pF}$	-	10	-	ns

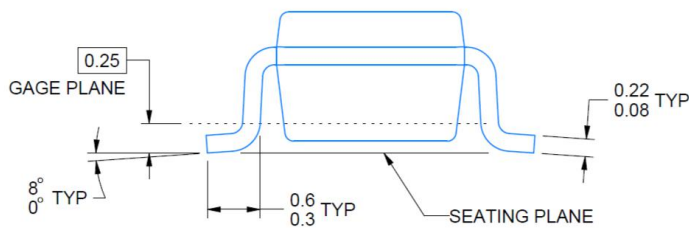
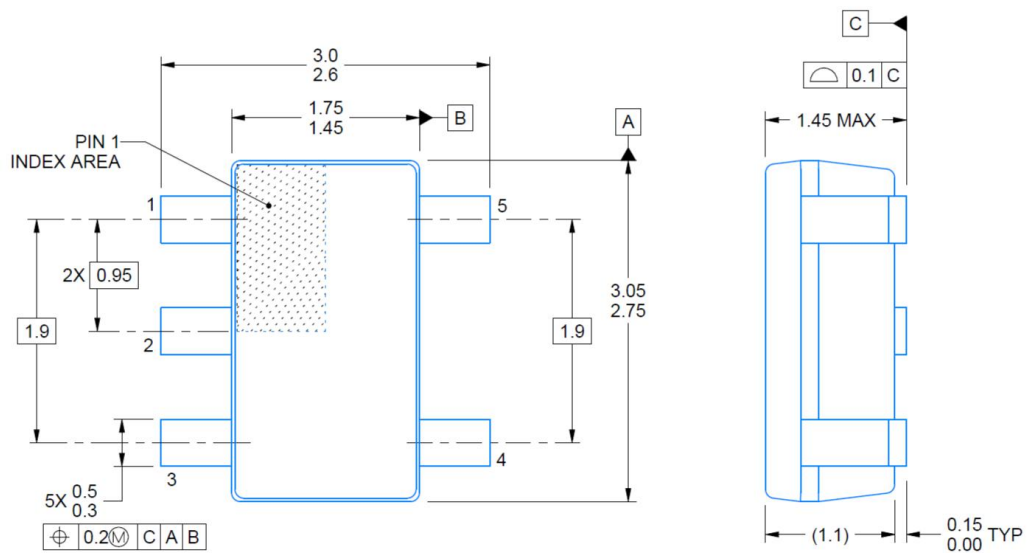


Note: 1. C_L capacitor is external chip capacitor (0603), which is connected close to the output pin, and the capacitor ground is close to the chip GND; 2. Input: port input level, $f=500\text{kHz}$, $D=50\%$; $t_r=t_f \leq 20\text{ns}$; 3. Output: Y-terminal output test.

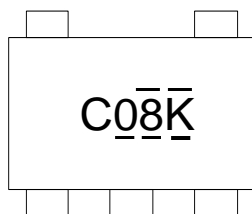
■ Encapsulated information

Unit: mm/inch

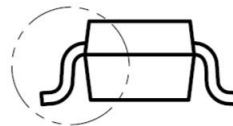
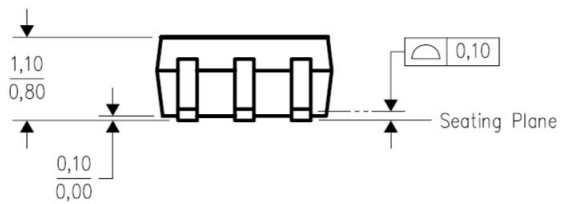
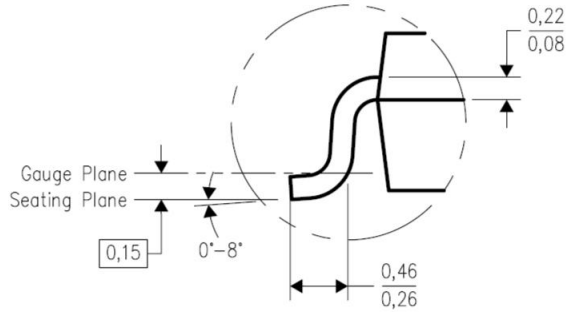
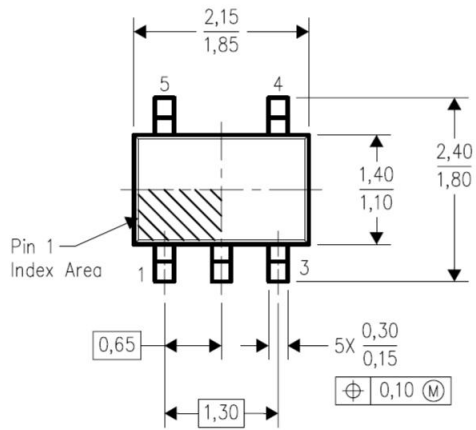
DBV (SOT23-5)



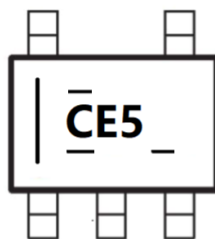
■ Marking



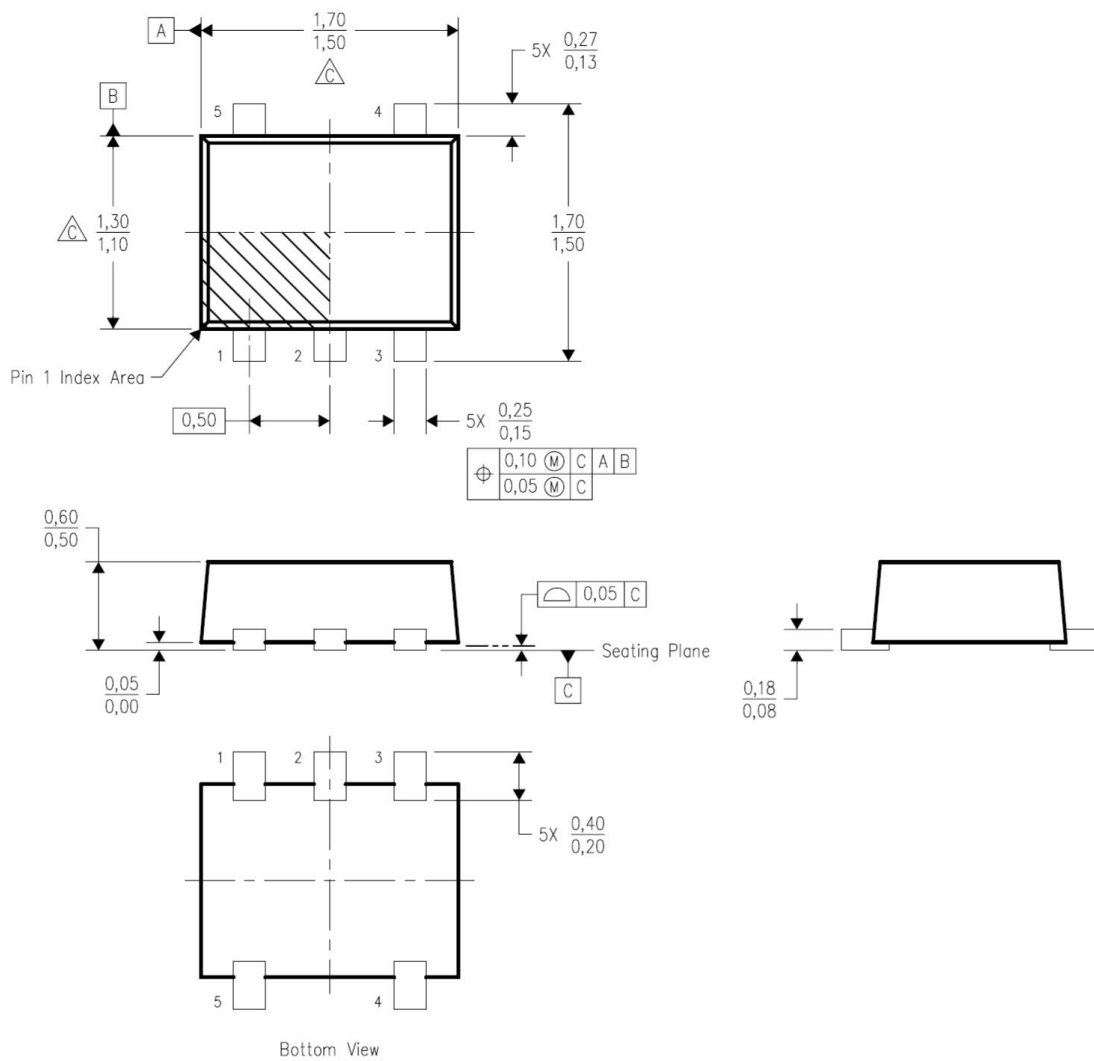
DCK (SC70-5)



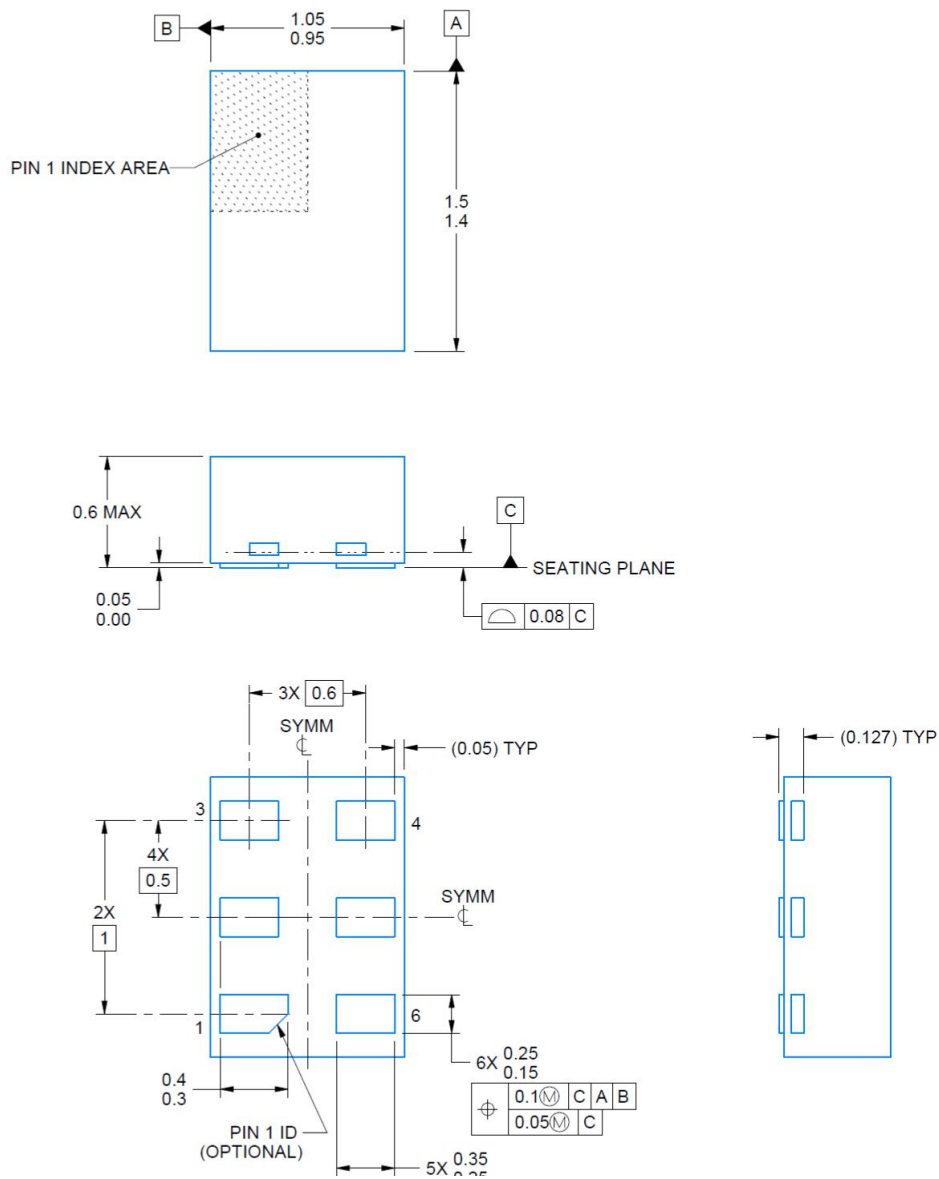
■ Marking



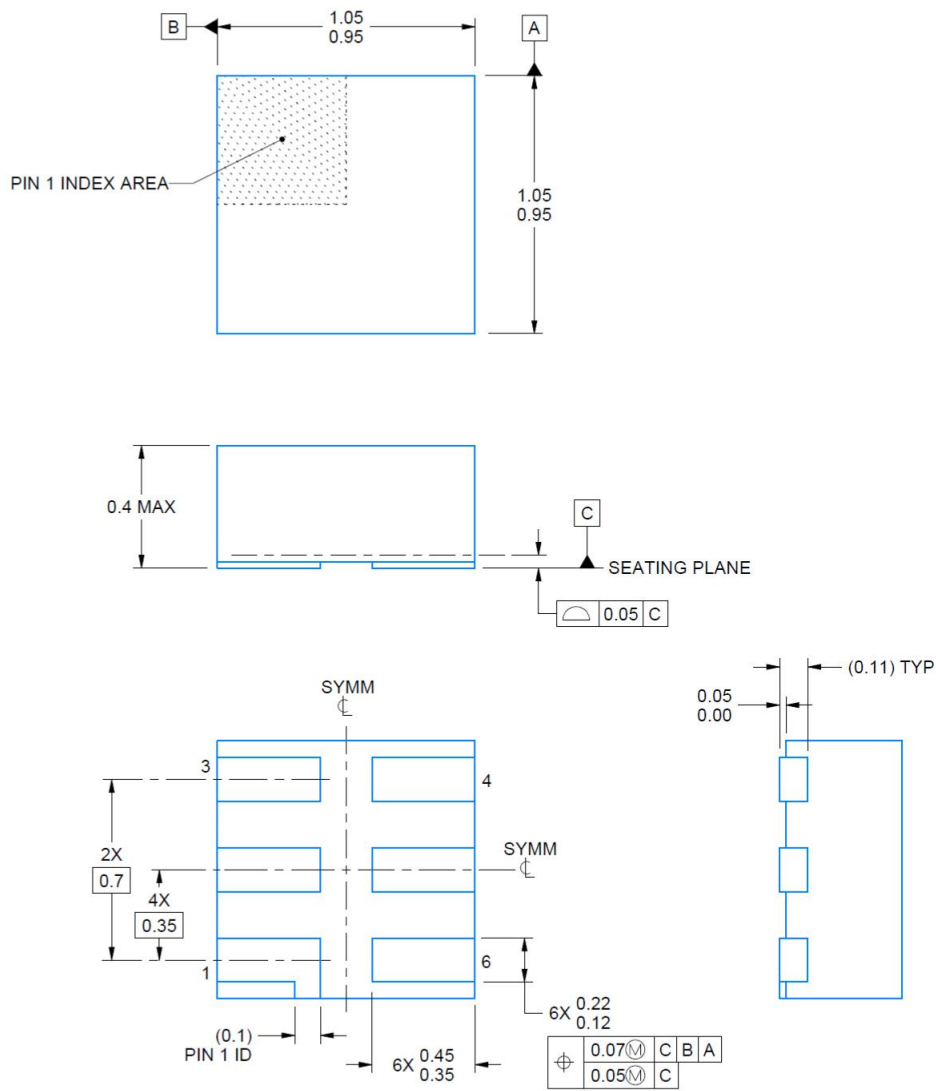
DRL (SOT-553)



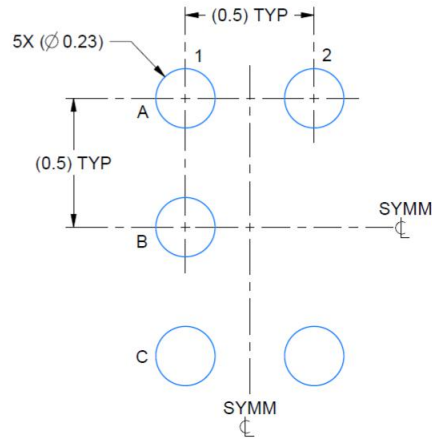
DRY (SOT-886)



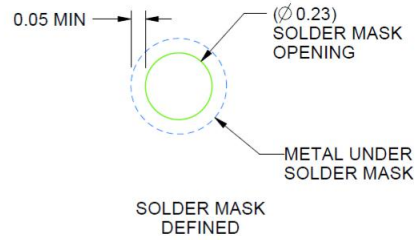
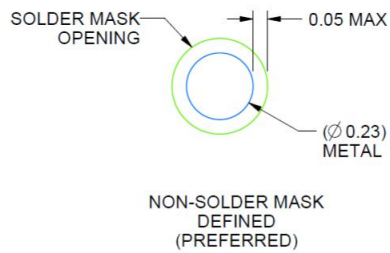
DSF (SON-6)



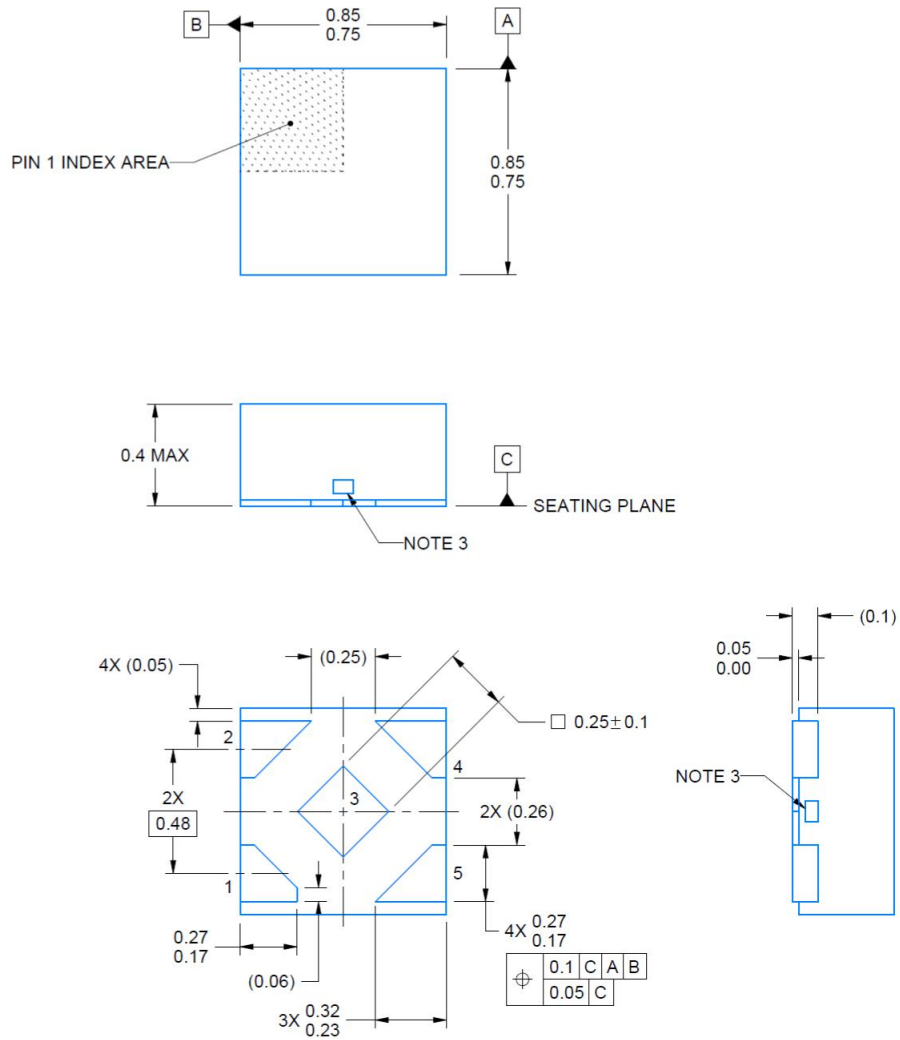
YZP (DSBGA-5)



LAND PATTERN EXAMPLE
SCALE:40X



DPW (X2SON-4)



OUR CERTIFICATE

DiGi provide top-quality products and perfect service for customer worldwide through standardization, technological innovation and continuous improvement. DiGi through third-party certification, we stricly control the quality of products and services. Welcome your RFQ to

Email: Info@DiGi-Electronics.com



Tel: +00 852-30501935

RFQ Email: Info@DiGi-Electronics.com

DiGi is a global authorized distributor of electronic components.