

NLV08JT68N Datasheet

www.digi-electronics.com



<https://www.DiGi-Electronics.com>

DiGi Electronics Part Number	NLV08JT68N-DG
Manufacturer	Viking Tech
Manufacturer Product Number	NLV08JT68N
Description	FIXED IND 68NH 320MA 650MOHM SMD
Detailed Description	68 nH Unshielded Drum Core, Wirewound Inductor 320 mA 650mOhm Max 1008 (2520 Metric)



Tel: +00 852-30501935

RFQ Email: Info@DiGi-Electronics.com

DiGi is a global authorized distributor of electronic components.

Purchase and inquiry

Manufacturer Product Number:

NLV08JT68N

Series:

NLV

Type:

Drum Core, Wirewound

Inductance:

68 nH

Current Rating (Amps):

320 mA

Shielding:

Unshielded

Q @ Freq:

20 @ 100MHz

Ratings:

-

Inductance Frequency - Test:

100 MHz

Mounting Type:

Surface Mount

Supplier Device Package:

1008

Height - Seated (Max):

0.075" (1.90mm)

Manufacturer:

Viking Tech

Product Status:

Active

Material - Core:

Ferrite

Tolerance:

±5%

Current - Saturation (Isat):

-

DC Resistance (DCR):

650mOhm Max

Frequency - Self Resonant:

1.05GHz

Operating Temperature:

-40°C ~ 105°C

Features:

-

Package / Case:

1008 (2520 Metric)

Size / Dimension:

0.098" L x 0.079" W (2.50mm x 2.00mm)

Environmental & Export classification

RoHS Status:

ROHS3 Compliant

ECCN:

EAR99

Moisture Sensitivity Level (MSL):

1 (Unlimited)

HTSUS:

5833.40.0000



Data Sheet

Customer:

Product: Wire Wound Chip Inductor(Ferrite) –NL Series

Sizes.: 0402/0603/0805/1008/1210/1812/2220

Issued Date: 29-Aug-23

Edition: REV.C9



VIKING TECH CORPORATION
光韻科技股份有限公司
No.70, Guangfu N. Rd., Hukou
Township, Hsinchu County
303, Taiwan (R.O.C)

TEL:886-3-5972931
FAX:886-3-5972935•886-3-5973494
E-mail:sales@viking.com.tw

VIKING TECH CORPORATION KAOHSIUNG BRANCH
光韻科技股份有限公司高雄分公司
No.248-3, Sin-Sheng Rd., Cian-Jhen Dist., Kaohsiung,
806, Taiwan

TEL:886-7-8217999
FAX:886-7-8228229
E-mail:sales@viking.com.tw

VIKING ELECTRONICS (WUXI) CO., LTD.
光韻電子(無錫)有限公司
No.22 Xixia Road, Machinery & Industry Park,
National Hi-Tech Industrial Development Zone
of Wuxi, Wuxi, Jiangsu Province, China
Zip Code:214028
TEL:86-510-85203339
FAX:86-510-85203667•86-510-85203977
E-mail:china@viking.com.tw

Produced by (QC)	Checked (QC)	Approved by (QC)	Prepared by (Sales)	Accepted by (Customer)
29-Aug-23	29-Aug-23	29-Aug-23	29-Aug-23	
<i>Kris Chen</i>	<i>Ben Chang</i>	<i>Ben Chang</i>		

【NL Series】



Wire Wound Chip Inductor (Ferrite)

Features

- Very strong solderability by flow soldering, soldering iron or wave soldering
- Highly accurate dimensions, can be mounted automatically
- Terminals are highly resistant to pull forces
- Highly resistant to mechanical shocks and pressure
- Highly reliable in environments of sudden temperature change and humidity.
 - Super Q characteristics
- Moisture sensitivity level 1 (only NL10(C) / NL12(C))



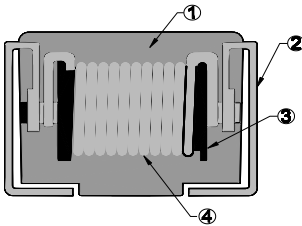
Applications

- Micro Televisions, Liquid Crystal Televisions, Video Cameras, Portable VCRs, Car Radios, Car Stereos, Thin Tape Radios, Television Tuners, Mobile Telephones, Radio and Other Electronic Devices



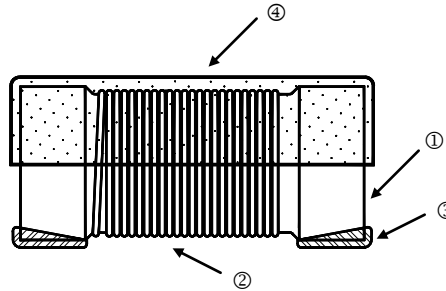
Construction

Molding Type



① Molded resin	③ Ferrite core
② Electrode (Tinned Copper Wire)	④ Magnet wire

Open Type



① Ferrite core	③ Electrode (Ag/Pd+Ni+Sn)
② Magnet wire	④ UV Glue

Part Numbering

NL	05	K	T	C	1R0
Product Type	Dimensions (LxW)	Inductance Tolerance	Packaging Code	Current	Inductance
	02: 0402 03: 0603 05: 0805 08: 1008 10: 1210 12: 1812 20: 2220	J: ±5% K: ±10% M: ±20%	T: Taping Reel	: Standard C: Large Current	R12: 120nH R27: 270nH 2R7: 2700nH 100: 10µH

[NL Series]



Wire Wound Chip Inductor (Ferrite)

■ Dimensions

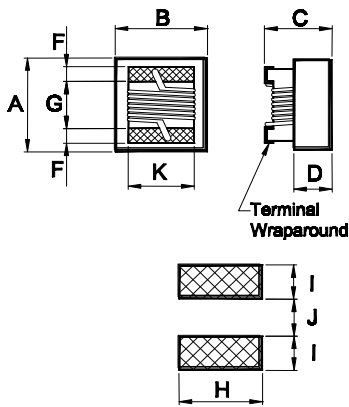


Figure 1

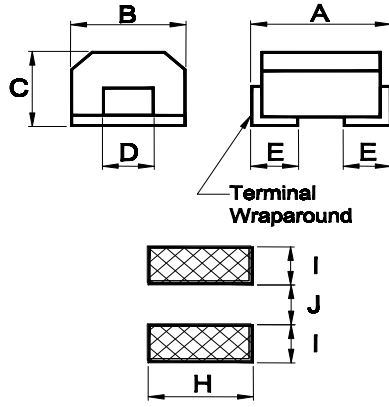


Figure 2

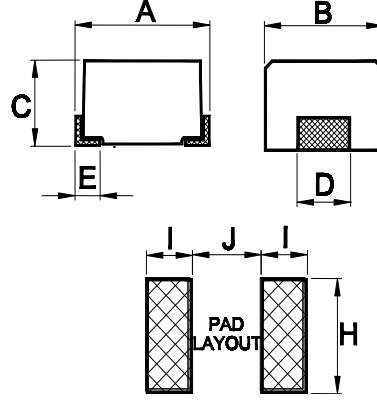


Figure 3

Unit: mm

Type	Size (Inch)	Figure	A	B	C	D	E	F	G	H	I	J	K	Weight (g) (1000pcs)
NL02	0402	1	1.02±0.1	0.56±0.1	0.56±0.1	0.25	-	0.23	0.54	0.65	0.38	0.44	0.50	1
NL03	0603	1	1.80 max	1.20 max	1.00 max	0.45	-	0.33	0.95	1.02	0.64	0.64	1.05	9.6
NL05	0805	1	2.40 max	1.71 max	1.45 max	0.65	-	0.44	1.02	1.78	1.02	0.76	1.27	14
NL08	1008	1	2.92 max	2.79 max	2.10 max	1.20	-	0.45	1.52	2.54	1.02	1.27	2.03	30
NL10	1210	2	3.2±0.4	2.5±0.2	2.2±0.2	1.0±0.2	0.6-0/+0.3	-	-	1.40	1.00	1.80	-	40
NL12	1812	2	4.5±0.3	3.2±0.2	3.2±0.2	1.20	1.0-0/+0.3	-	-	1.60	1.50	2.20	-	160
NL20	2220	3	5.6±0.3	5.0±0.2	4.0±0.3	4±0.2	0.7±0.2	-	-	4.50	2.00	4.00	-	300
NL05(L)	0805	1	2.29 max	1.73 max	1.00 max	0.51	-	0.44	1.02	1.78	1.02	0.76	1.27	14
NL03(C)	0603	1	1.80 max	1.20 max	1.10 max	0.45	-	0.33	0.95	1.02	0.64	0.64	1.05	9.6
NL05(C)	0805	1	2.40 max	1.71 max	1.45 max	0.65	-	0.44	1.02	1.78	1.02	0.76	1.27	14
NL08(C)	1008	1	2.92 max	2.79 max	2.10 max	1.30	-	0.45	1.52	2.54	1.02	1.27	2.03	30
NL10(C)	1210	2	3.2±0.4	2.5±0.2	2.2±0.2	1.0±0.2	0.6-0/+0.3	-	-	1.40	1.00	1.80	-	40
NL12(C)	1812	2	4.5±0.3	3.2±0.2	3.2±0.2	1.20	1.0-0/+0.3	-	-	1.60	1.50	2.20	-	160
NL20(C)	2220	3	5.6±0.3	5.0±0.2	4.0±0.3	4±0.2	0.7±0.2	-	-	4.50	2.00	4.00	-	300

■ Color Coding

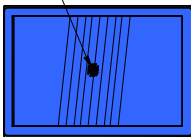
0603 / 0805 / 1008 Type (except NL02)

Because of small sizes, these parts are marked with a single color dot.

The inductance value represented by the dot is shown on the data page for each type.

0603/0805

1st Code



Color Coding

1008

1st Code 3rd Code



2nd Code

Color Coding

【NL Series】**Wire Wound Chip Inductor (Ferrite)****Standard Electrical Specifications**

NL02 Wire Wound Chip Inductors (Ferrite / Open Type) / Standard Type (□: Tolerance):

Part No	Inductance (μH)	Tolerance	Q typ.	Test Freq. (MHz)	SRF (MHz) typ.	DCR (Ω) max.	Irms (mA) max.
NL02□T18N	0.018	±5, ±10%	10	100	2600	0.055	1600
NL02□T20N	0.020	±5, ±10%	10	100	2600	0.050	1600
NL02□T22N	0.022	±10%	10	100	2500	0.072	1300
NL02□T33N	0.033	±5, ±10%	10	100	2300	0.060	1400
NL02□T36N	0.036	±5, ±10%	10	100	2300	0.092	1000
NL02□T39N	0.039	±5, ±10%	10	100	2200	0.150	830
NL02□T51N	0.051	±10%	10	100	1930	0.070	1100
NL02□T56N	0.056	±10%	10	100	1900	0.125	900
NL02□T72N	0.072	±5, ±10%	10	100	1650	0.100	900
NL02□T78N	0.078	±5, ±10%	10	100	1600	0.190	850
NL02□TR10	0.10	±10%	9	100	1400	0.160	900
NL02□TR14	0.14	±5, ±10%	11	50	1220	0.260	540
NL02□TR18	0.18	±10%	11	50	1150	0.330	560
NL02□TR20	0.20	±5, ±10%	11	50	1000	0.440	400
NL02□TR22	0.22	±5, ±10%	11	50	1150	0.530	380
NL02□TR25	0.25	±5, ±10%	11	25	900	0.360	520
NL02□TR27	0.27	±10%	11	25	860	0.550	360
NL02□TR30	0.30	±5, ±10%	11	25	860	0.410	420
NL02□TR33	0.33	±5, ±10%	11	7.9	820	0.680	350
NL02□TR36	0.36	±5, ±10%	11	7.9	810	0.575	360
NL02□TR39	0.39	±5, ±10%	11	7.9	760	0.890	300
NL02□TR42	0.42	±5, ±10%	11	7.9	700	1.100	340
NL02□TR47	0.47	±10%	11	7.9	650	0.730	310
NL02□TR56	0.56	±5, ±10%	11	7.9	600	1.100	200

NL03 Wire Wound Chip Inductors (Ferrite / Open Type) / Standard Type



Codes	Inductance (μH)	Tolerance	Q typ.	Test Freq. (MHz)	SRF (MHz) typ.	DCR (Ω) max.	IDC (mA) max.	Color Code
R27	0.27	±10, ±20%	13	7.9	900	0.338	950	Green
R47	0.47	±10, ±20%	13	7.9	900	0.338	920	Blue
R68	0.68	±10, ±20%	13	7.9	650	0.351	920	Violet
R78	0.78	±10, ±20%	16	7.9	410	0.364	920	Gray
1R0	1.0	±10, ±20%	16	7.9	390	0.416	860	Black
1R5	1.5	±10, ±20%	16	7.9	160	0.520	720	Brown
1R8	1.8	±10, ±20%	16	7.9	121	0.559	640	Red
2R2	2.2	±10, ±20%	16	7.9	103	0.728	600	Orange
2R7	2.7	±10, ±20%	16	7.9	72	0.806	540	Yellow
3R3	3.3	±10, ±20%	16	7.9	66	0.910	500	Green
3R9	3.9	±10, ±20%	16	7.9	61	1.079	460	Blue
4R7	4.7	±10, ±20%	16	7.9	51	1.261	400	Violet
5R6	5.6	±10, ±20%	16	7.9	47	1.430	380	Gray
6R8	6.8	±10, ±20%	16	7.9	43	1.950	340	White
8R2	8.2	±10, ±20%	16	7.9	40	2.184	300	Black
100	10	±10, ±20%	14	2.5	36	2.405	280	Brown
120	12	±10, ±20%	14	2.5	32	2.964	260	Red
150	15	±10, ±20%	14	2.5	29	3.380	240	Orange
180	18	±10, ±20%	14	2.5	28	3.770	220	Yellow
220	22	±10, ±20%	14	2.5	24	4.693	200	Green
270	27	±10, ±20%	14	2.5	20	6.760	140	Blue
330	33	±10, ±20%	14	2.5	15	8.580	120	Violet
470	47	±10, ±20%	12	2.5	11	14.560	100	Gray

【NL Series】**Wire Wound Chip Inductor (Ferrite)**

NL05 Wire Wound Chip Inductors (Ferrite / Open Type) / Standard Type

Codes	Inductance (μH)	Tolerance	Q min.	Test Freq. (MHz)	SRF (MHz) min.	DCR (Ω) max.	IDC (mA) max.	Color Code
78N	0.078	±5, ±10%	13	7.9	1500	0.076	2000	Gray
R10	0.10	±10%	20	25	1400	0.10	1700	White
R11	0.11	±10%	25	25	1200	0.10	1700	White
R12	0.12	±5, ±10%	25	25	1000	0.18	1500	Violet
R15	0.15	±5, ±10%	25	25	1000	0.18	1400	Gray
R18	0.18	±5, ±10%	30	25	1000	0.20	1400	Black
R22	0.22	±5, ±10%	30	25	830	0.25	1350	Brown
R27	0.27	±5, ±10%	30	25	800	0.38	1300	Red
R33	0.33	±5, ±10%	30	25	750	0.35	1200	Orange
R39	0.39	±5, ±10%	30	25	700	0.35	1160	Yellow
R47	0.47	±5, ±10%	30	25	690	0.40	1100	Green
R56	0.56	±5, ±10%	30	25	640	0.40	1040	Blue
R62	0.62	±5, ±10%	30	25	640	0.45	980	Brown
R68	0.68	±5, ±10%	30	25	510	0.50	900	Violet
R75	0.75	±5, ±10%	30	25	500	0.50	900	Violet
R82	0.82	±5, ±10%	30	25	500	0.50	900	Gray
R91	0.91	±5, ±10%	30	25	500	0.55	900	Yellow
1R0	1.0	±5, ±10%	20	7.9	470	0.50	840	White
1R2	1.2	±5, ±10%	20	7.9	400	0.75	800	Black
1R5	1.5	±5, ±10%	25	7.9	400	1.00	720	Brown
1R8	1.8	±5, ±10%	25	7.9	230	1.00	660	Red
2R2	2.2	±5, ±10%	25	7.9	200	1.05	600	Orange
2R7	2.7	±5, ±10%	25	7.9	130	1.18	500	Yellow
3R3	3.3	±5, ±10%	25	7.9	160	1.26	480	Green
3R9	3.9	±5, ±10%	25	7.9	130	1.75	440	Blue
4R7	4.7	±5, ±10%	25	7.9	120	1.87	390	Violet
5R6	5.6	±5, ±10%	25	7.9	90	2.00	340	Gray
6R8	6.8	±5, ±10%	25	7.9	55	2.15	300	White
8R2	8.2	±5, ±10%	25	7.9	40	2.37	280	Black
100	10	±5, ±10%	16	2.5	40	2.55	260	Brown
120	12	±5, ±10%	16	2.5	37	2.80	220	Red
150	15	±5, ±10%	16	2.5	30	3.80	200	Orange
180	18	±5, ±10%	16	2.5	23	4.48	180	Yellow
220	22	±5, ±10%	16	2.5	20	6.30	160	Green
270	27	±5, ±10%	16	2.5	19	6.85	140	Blue
330	33	±5, ±10%	16	2.5	18	7.60	120	Violet
390	39	±5, ±10%	15	2.5	16	8.20	100	Gray
470	47	±5, ±10%	13	2.5	13	13.10	60	White

【NL Series】**Wire Wound Chip Inductor (Ferrite)**

NL08 Wire Wound Chip Inductors (Ferrite / Open Type) / Standard Type

Codes	Inductance (μH)	Tolerance	Q min.	Test Freq. (MHz)	SRF (MHz) min.	DCR (Ω) max.	IDC (mA) max.	Color Code		
R10	0.10	±10%	25	25	930	0.20	1300	Brown	Black	Brown
R12	0.12	±5, ±10%	26	25	930	0.30	1000	Brown	Red	Brown
R15	0.15	±5, ±10%	26	25	930	0.30	1000	Brown	Green	Brown
R18	0.18	±5, ±10%	30	25	930	0.30	960	Brown	Gray	Brown
R20	0.20	±5, ±10%	30	25	735	0.30	960	Red	Black	Brown
R22	0.22	±5, ±10%	27	25	750	0.40	880	Red	Red	Brown
R27	0.27	±5, ±10%	29	25	700	0.42	900	Red	Violet	Brown
R33	0.33	±5, ±10%	30	25	600	0.42	900	Orange	Orange	Brown
R39	0.39	±5, ±10%	30	25	480	0.45	920	Orange	White	Brown
R47	0.47	±5, ±10%	30	25	470	0.50	920	Yellow	Violet	Brown
R56	0.56	±5, ±10%	30	25	460	0.55	900	Green	Blue	Brown
R62	0.62	±5, ±10%	30	25	460	0.55	900	Blue	Red	Brown
R68	0.68	±5, ±10%	30	25	420	0.55	880	Blue	Gray	Brown
R75	0.75	±5, ±10%	30	25	420	0.65	880	Violet	Green	Brown
R82	0.82	±5, ±10%	30	25	380	0.65	840	Gray	Red	Brown
R91	0.91	±5, ±10%	30	25	400	0.65	840	White	Brown	Brown
1R0	1.0	±5, ±10%	25	7.9	300	0.60	800	Brown	Black	Red
1R2	1.2	±5, ±10%	25	7.9	280	0.74	800	Brown	Red	Red
1R5	1.5	±5, ±10%	25	7.9	245	0.85	780	Brown	Green	Red
1R8	1.8	±5, ±10%	25	7.9	240	0.92	780	Brown	Gray	Red
2R2	2.2	±5, ±10%	25	7.9	205	1.10	760	Red	Red	Red
2R7	2.7	±5, ±10%	25	7.9	187	1.22	760	Red	Violet	Red
3R3	3.3	±5, ±10%	25	7.9	165	1.37	740	Orange	Orange	Red
3R9	3.9	±5, ±10%	25	7.9	144	1.66	700	Orange	White	Red
4R7	4.7	±5, ±10%	25	7.9	110	1.68	660	Yellow	Violet	Red
5R6	5.6	±5, ±10%	25	7.9	88	1.75	640	Green	Blue	Red
6R8	6.8	±5, ±10%	25	7.9	70	1.85	640	Blue	Gray	Red
8R2	8.2	±5, ±10%	25	7.9	57	2.00	600	Gray	Red	Red
100	10	±5, ±10%	25	7.9	55	2.32	600	Brown	Black	Orange
120	12	±5, ±10%	15	2.5	52	2.99	560	Brown	Red	Orange
150	15	±5, ±10%	15	2.5	49	3.42	480	Brown	Green	Orange
180	18	±5, ±10%	15	2.5	48	4.65	420	Brown	Gray	Orange
220	22	±5, ±10%	15	2.5	25	5.12	420	Red	Red	Orange
270	27	±5, ±10%	15	2.5	23	5.76	420	Red	Violet	Orange
330	33	±5, ±10%	15	2.5	17	6.44	400	Orange	Orange	Orange
390	39	±5, ±10%	15	2.5	15	6.85	380	Orange	White	Orange
470	47	±5, ±10%	14	2.5	13	9.94	260	Yellow	Violet	Orange
560	56	±5, ±10%	14	2.5	10	10.7	280	Green	Blue	Orange
680	68	±5, ±10%	14	2.5	8	12.8	260	Blue	Gray	Orange
820	82	±5, ±10%	14	2.5	8	18.3	240	Gray	Red	Orange
101	100	±5, ±10%	8	1	7	19.6	200	Brown	Black	Yellow

【NL Series】**Wire Wound Chip Inductor (Ferrite)**

NL10 Wire Wound Chip Inductors (Ferrite / Molding Type) / Standard Type

Codes	Inductance (μH)	Tolerance	Q min.	Test Freq. (MHz)	SRF (MHz) typ.	DCR (Ω) max.	IDC (mA) max.
R18	0.18	±20%	30	25.2	685	0.28	450
R22	0.22	±20%	30	25.2	560	0.32	450
R27	0.27	±20%	30	25.2	525	0.36	450
R33	0.33	±20%	30	25.2	520	0.40	450
R39	0.39	±20%	30	25.2	470	0.45	450
R47	0.47	±20%	30	25.2	430	0.50	450
R56	0.56	±20%	30	25.2	395	0.55	450
R68	0.68	±20%	30	25.2	370	0.60	450
R82	0.82	±20%	30	25.2	310	0.65	450
1R0	1.0	±5%,±10%	30	7.96	295	0.70	400
1R2	1.2	±5%,±10%	30	7.96	255	0.75	390
1R5	1.5	±5%,±10%	30	7.96	160	0.85	370
1R8	1.8	±5%,±10%	30	7.96	125	0.90	350
2R2	2.2	±5%,±10%	30	7.96	100	1.00	320
2R7	2.7	±5%,±10%	30	7.96	65	1.10	290
3R3	3.3	±5%,±10%	30	7.96	55	1.20	260
3R9	3.9	±5%,±10%	30	7.96	50	1.30	250
4R7	4.7	±5%,±10%	30	7.96	45	1.50	220
5R6	5.6	±5%,±10%	30	7.96	40	1.60	200
6R8	6.8	±5%,±10%	30	7.96	35	1.80	180
8R2	8.2	±5%,±10%	30	7.96	30	2.00	170
100	10	±5%,±10%	30	2.52	30	2.10	150
120	12	±5%,±10%	30	2.52	28	2.50	140
150	15	±5%,±10%	30	2.52	25	2.80	130
180	18	±5%,±10%	30	2.52	22	3.30	120
220	22	±5%,±10%	30	2.52	19	3.70	110
270	27	±5%,±10%	30	2.52	18	5.00	80
330	33	±5%,±10%	30	2.52	17	5.60	70
390	39	±5%,±10%	30	2.52	15	6.40	65
470	47	±5%,±10%	30	2.52	14	7.00	60
560	56	±5%,±10%	30	2.52	13	8.00	55
680	68	±5%,±10%	30	2.52	11	9.00	50
820	82	±5%,±10%	30	2.52	10	10.00	45
101	100	±5%,±10%	20	0.796	9	11.00	40
121	120	±5%,±10%	20	0.796	8	11.00	70
151	150	±5%,±10%	20	0.796	7	15.00	65

【NL Series】**Wire Wound Chip Inductor (Ferrite)**

NL12 Wire Wound Chip Inductors (Ferrite / Molding Type) / Standard Type



Codes	Inductance (μH)	Tolerance	Q min.	Test Freq. (MHz)	SRF (MHz) typ.	DCR (Ω) max.	IDC (mA) max.
R18	0.18	±20%	35	25.2	570.0	0.24	700
R22	0.22	±20%	40	25.2	505.0	0.25	665
R27	0.27	±20%	40	25.2	450.0	0.26	635
R33	0.33	±20%	40	25.2	425.0	0.28	605
R39	0.39	±20%	40	25.2	390.0	0.30	575
R47	0.47	±20%	40	25.2	350.0	0.32	545
R56	0.56	±20%	40	25.2	325.0	0.36	520
R68	0.68	±20%	40	25.2	300.0	0.40	500
R82	0.82	±20%	40	25.2	275.0	0.45	475
1R0	1.0	±5%,±10%	50	7.96	250.0	0.50	450
1R2	1.2	±5%,±10%	50	7.96	240.0	0.55	430
1R5	1.5	±5%,±10%	50	7.96	210.0	0.60	410
1R8	1.8	±5%,±10%	50	7.96	190.0	0.65	390
2R2	2.2	±5%,±10%	50	7.96	160.0	0.70	380
2R7	2.7	±5%,±10%	50	7.96	150.0	0.75	370
3R3	3.3	±5%,±10%	50	7.96	110.0	0.80	355
3R9	3.9	±5%,±10%	50	7.96	100.0	0.90	330
4R7	4.7	±5%,±10%	50	7.96	80.0	1.00	315
5R6	5.6	±5%,±10%	50	7.96	50.0	1.10	300
6R8	6.8	±5%,±10%	50	7.96	35.0	1.20	285
8R2	8.2	±5%,±10%	50	7.96	28.0	1.40	270
100	10	±5%,±10%	50	2.52	22.0	1.60	250
120	12	±5%,±10%	50	2.52	20.0	2.00	225
150	15	±5%,±10%	50	2.52	18.0	2.50	200
180	18	±5%,±10%	50	2.52	16.0	2.80	190
220	22	±5%,±10%	50	2.52	14.0	3.20	180
270	27	±5%,±10%	50	2.52	13.0	3.60	170
330	33	±5%,±10%	50	2.52	12.0	4.00	160
390	39	±5%,±10%	50	2.52	11.0	4.50	150
470	47	±5%,±10%	50	2.52	10.5	5.00	140
560	56	±5%,±10%	50	2.52	10.0	5.50	135
680	68	±5%,±10%	50	2.52	9.5	6.00	130
820	82	±5%,±10%	50	2.52	8.5	7.00	120
101	100	±5%,±10%	40	0.796	8.0	8.00	110
121	120	±5%,±10%	40	0.796	7.0	8.00	110
151	150	±5%,±10%	40	0.796	6.0	9.00	105
181	180	±5%,±10%	40	0.796	5.5	9.50	102
221	220	±5%,±10%	40	0.796	5.0	10.0	100
271	270	±5%,±10%	40	0.796	4.5	12.0	92
331	330	±5%,±10%	40	0.796	4.0	14.0	85
391	390	±5%,±10%	40	0.796	3.5	18.0	80
471	470	±5%,±10%	40	0.796	3.5	26.0	62
561	560	±5%,±10%	30	0.796	3.0	30.0	50
681	680	±5%,±10%	30	0.796	3.0	30.0	50
821	820	±5%,±10%	30	0.796	2.5	35.0	30

【NL Series】**Wire Wound Chip Inductor (Ferrite)**

NL20 Wire Wound Chip Inductors (Ferrite / Molding Type) / Standard Type

Codes	Inductance (mH)	Tolerance	Test Freq. (MHz)	Q min.	SRF (MHz) min.	DCR (Ω) max.	IDC (mA) max.
122	1.2	±5, ±10%	0.252	20	1.5	17	75
152	1.5	±5, ±10%	0.252	20	1.4	20	70
182	1.8	±5, ±10%	0.252	20	1.3	30	60
222	2.2	±5, ±10%	0.252	20	1.2	35	55
272	2.7	±5, ±10%	0.252	20	1.1	55	45
332	3.3	±5, ±10%	0.252	20	1.0	60	40
392	3.9	±5, ±10%	0.252	20	1.0	70	38
472	4.7	±5, ±10%	0.252	20	0.9	78	36
562	5.6	±5, ±10%	0.252	20	0.8	85	33
682	6.8	±5, ±10%	0.252	20	0.7	110	30
822	8.2	±5, ±10%	0.252	20	0.6	125	28
103	10	±5, ±10%	0.0796	15	0.5	150	25

Large Current Electrical SpecificationsNL03 Wound Chip Inductors (Ferrite / Open Type) / **Large Current Type**

Codes	Inductance (μH)	Tolerance	Q min.	Test Freq. (MHz)	SRF (MHz) min.	DCR (Ω) max.	IDC (mA) max.	Color Code
47N	0.047	±10%	12	7.9	2000	0.075	1800	White
51N	0.051	±10%	12	7.9	1500	0.075	1800	Violet
56N	0.056	±10%	7	7.9	1500	0.095	2200	Blue
68N	0.068	±10%	10	7.9	1500	0.12	2200	Gray
72N	0.072	±10%	12	7.9	1500	0.12	2200	Brown
R10	0.10	±10%	12	7.9	1150	0.13	2200	Black
R12	0.12	±5, ±10%	12	7.9	1100	0.15	1900	Orange
R15	0.15	±5, ±10%	15	7.9	1050	0.15	1800	Brown
R18	0.18	±5, ±10%	15	7.9	950	0.15	1800	Green
R22	0.22	±5, ±10%	15	7.9	900	0.30	1300	Red
R24	0.24	±5, ±10%	15	7.9	850	0.16	1700	Green
R27	0.27	±5, ±10%	15	7.9	835	0.30	1400	Yellow
R33	0.33	±5, ±10%	15	7.9	725	0.40	1300	Orange
R36	0.36	±5, ±10%	15	7.9	720	0.41	1300	Green
R39	0.39	±5, ±10%	15	7.9	680	0.41	1200	Blue
R47	0.47	±5, ±10%	15	7.9	640	0.43	1200	Black
R56	0.56	±5, ±10%	15	7.9	630	0.44	1200	Brown
R65	0.65	±5, ±10%	15	7.9	510	0.52	1000	Blue
R68	0.68	±5, ±10%	15	7.9	510	0.52	1000	Red
R78	0.78	±5, ±10%	15	7.9	465	0.63	990	Orange
R82	0.82	±5, ±10%	15	7.9	460	0.69	990	Yellow
R90	0.90	±5, ±10%	15	7.9	350	0.81	950	Black
1R0	1.0	±5, ±10%	15	7.9	320	0.81	850	Green
1R2	1.2	±5, ±10%	15	7.9	270	0.87	850	Blue
1R5	1.5	±5, ±10%	15	7.9	230	0.96	830	Violet
1R8	1.8	±5, ±10%	15	7.9	210	1.10	820	Gray
2R2	2.2	±5, ±10%	15	7.9	115	1.20	720	White
2R7	2.7	±5, ±10%	15	7.9	100	1.38	700	Black
3R0	3.0	±5, ±10%	15	7.9	90	1.45	680	Black
3R3	3.3	±5, ±10%	15	7.9	84	1.50	640	Brown
3R9	3.9	±5, ±10%	15	7.9	75	1.50	630	Red
4R7	4.7	±5, ±10%	15	7.9	67	2.10	530	Orange
5R6	5.6	±5, ±10%	15	7.9	55	2.37	510	Yellow
6R8	6.8	±5, ±10%	15	7.9	48	3.10	490	Green
7R8	7.8	±5, ±10%	15	7.9	40	3.35	420	Blue
8R2	8.2	±5, ±10%	15	7.9	38	3.50	450	Violet
100	10	±5, ±10%	15	7.9	32	4.46	370	Gray
150	15	±5, ±10%	14	7.9	25	9.50	240	White

【NL Series】**Wire Wound Chip Inductor (Ferrite)**NL05 Wire Wound Chip Inductors (Ferrite / Open Type) / **Large Current Type**

Codes	Inductance (μH)	Tolerance	Q typ.	Test Freq. (MHz)	SRF (MHz) typ.	DCR (Ω) max.	IDC (mA) max.	Color Code
R10	0.10	±10, ±20%	9	7.9	1700	0.091	2400	Black
R15	0.15	±10, ±20%	12	7.9	1500	0.104	1900	Brown
R22	0.22	±10, ±20%	12	7.9	1200	0.130	1700	Red
R33	0.33	±10, ±20%	12	7.9	900	0.156	1400	Orange
R47	0.47	±10, ±20%	14	7.9	850	0.156	1400	Blue
R56	0.56	±10, ±20%	14	7.9	360	0.195	1200	Violet
R68	0.68	±10, ±20%	14	7.9	290	0.195	1200	Gray
R82	0.82	±10, ±20%	14	7.9	208	0.195	1100	White
1R0	1.00	±10, ±20%	14	7.9	208	0.169	1100	Black
1R2	1.20	±10, ±20%	14	7.9	159	0.208	960	Red
1R5	1.50	±10, ±20%	14	7.9	159	0.221	920	Brown
1R8	1.80	±10, ±20%	14	7.9	112	0.260	860	Orange
2R2	2.20	±10, ±20%	13	7.9	87	0.286	740	Red
2R7	2.70	±10, ±20%	13	7.9	72	0.325	680	Yellow
3R3	3.30	±10, ±20%	12	7.9	70	0.364	620	Orange
3R9	3.90	±10, ±20%	14	7.9	61	0.494	580	Green
4R7	4.70	±10, ±20%	14	7.9	51	0.559	520	Yellow
5R6	5.60	±10, ±20%	12	7.9	47	0.650	480	Blue
6R8	6.80	±10, ±20%	14	7.9	46	0.884	420	Green
8R2	8.20	±10, ±20%	13	7.9	33	0.949	400	Violet
100	10	±5, ±10, ±20%	14	2.5	31	1.105	360	Blue
120	12	±5, ±10, ±20%	14	2.5	30	1.17	340	Gray
150	15	±5, ±10, ±20%	15	2.5	28	1.82	300	Violet
180	18	±5, ±10, ±20%	15	2.5	27	2.01	280	White
220	22	±5, ±10, ±20%	15	2.5	20	2.288	240	Gray
270	27	±5, ±10, ±20%	15	2.5	17	2.60	220	Black
330	33	±5, ±10, ±20%	15	2.5	17	3.055	200	White
390	39	±5, ±10, ±20%	14	2.5	15	4.355	180	Brown
470	47	±5, ±10, ±20%	14	2.5	15	4.42	160	Black
560	56	±5, ±10, ±20%	14	2.5	10	5.746	150	Yellow
680	68	±5, ±10, ±20%	14	2.5	10	5.785	140	Brown
820	82	±5, ±10, ±20%	14	2.5	10	9.75	100	Orange
101	100	±5, ±10, ±20%	10	1	9	9.75	100	Red
221	220	±5, ±10, ±20%	8	1	4	30.03	70	Blue

【NL Series】**Wire Wound Chip Inductor (Ferrite)**NL08 Wound Chip Inductors (Ferrite / Open Type) / **Large Current Type**

Codes	Inductance (μH)	Tolerance	Q typ.	Test Freq. (MHz)	SRF (MHz) min.	DCR (Ω) max.	IDC (mA) max.	Color Code		
								1st	2nd	3rd
78N	0.078	±5, ±10%	19	7.9	1000	0.042	3200	Black	Violet	Gray
R10	0.10	±5, ±10%	35	25	1500	0.05	3200	Brown	Red	Brown
R22	0.22	±5, ±10%	35	25	800	0.15	2900	Red	Red	Brown
R39	0.39	±5, ±10%	35	25	460	0.20	2100	Orange	White	Brown
R47	0.47	±10%	35	25	460	0.20	2100	Yellow	Violet	Brown
R56	0.56	±5, ±10%	35	25	360	0.26	1800	Green	Blue	Brown
R68	0.68	±5, ±10%	35	25	400	0.30	1700	Blue	Gray	Brown
R82	0.82	±5, ±10%	35	25	360	0.35	1400	Gray	Red	Brown
1R0	1.0	±10%	32	7.9	340	0.34	1700	Brown	Black	Red
1R1	1.1	±10%	25	7.9	300	0.34	1500	Brown	Brown	Red
1R2	1.2	±5, ±10%	25	7.9	300	0.25	1600	Brown	Red	Red
1R5	1.5	±5, ±10%	32	7.9	230	0.42	1200	Brown	Green	Red
1R8	1.8	±5, ±10%	27	7.9	180	0.45	1100	Brown	Gray	Red
2R2	2.2	±5, ±10%	27	7.9	140	0.50	1100	Red	Red	Red
2R7	2.7	±5, ±10%	27	7.9	130	0.55	1000	Red	Violet	Red
3R3	3.3	±5, ±10%	27	7.9	125	0.60	1000	Orange	Orange	Red
3R9	3.9	±5, ±10%	27	7.9	100	0.80	990	Orange	White	Red
4R7	4.7	±5, ±10%	30	7.9	90	0.90	880	Yellow	Violet	Red
5R6	5.6	±5, ±10%	27	7.9	60	1.00	850	Green	Blue	Red
6R8	6.8	±5, ±10%	27	7.9	60	1.05	840	Blue	Gray	Red
8R2	8.2	±5, ±10%	25	7.9	55	1.20	810	Gray	Red	Red
100	10	±5, ±10%	23	2.5	55	1.55	700	Brown	Black	Orange
120	12	±5, ±10%	23	2.5	36	2.10	580	Brown	Red	Orange
150	15	±5, ±10%	23	2.5	36	2.38	580	Brown	Green	Orange
180	18	±5, ±10%	23	2.5	32	2.50	520	Brown	Gray	Orange
220	22	±5, ±10%	23	2.5	29	2.92	500	Red	Red	Orange
270	27	±10%	23	2.5	22	3.70	450	Red	Violet	Orange
330	33	±5, ±10%	23	2.5	21	4.10	420	Orange	Orange	Orange
390	39	±5, ±10%	18	2.5	15	5.50	340	Orange	White	Orange
470	47	±5, ±10%	23	2.5	17	7.80	310	Yellow	Violet	Orange
680	68	±5, ±10%	20	2.5	9	11.5	220	Blue	Gray	Orange
101	100	±5, ±10%	13	1	4	13.2	210	Brown	Black	Yellow
151	150	±5, ±10%	13	1	3	22.5	170	Brown	Green	Yellow
221	220	±5, ±10%	13	1	3	26.5	160	Red	Red	Yellow
271	270	±5, ±10%	13	1	2	32.0	135	Red	Violet	Yellow
331	330	±5, ±10%	13	1	2	32.5	130	Orange	Orange	Yellow

NL10 Wire Wound Chip Inductors (Ferrite / Molding Type) / **Large Current Type**

Codes	Inductance (μH)	Tolerance	Q min.	Test Freq. (MHz)	SRF (MHz) typ.	DCR (Ω) max.	IDC (mA) max.
1R0	1.0	±5%, ±20%	10	7.96	145	0.156	770
1R5	1.5	±5%, ±20%	10	7.96	100	0.195	580
2R2	2.2	±5%, ±20%	10	7.96	80	0.260	480
3R3	3.3	±5%, ±20%	10	7.96	60	0.325	400
4R7	4.7	±5%, ±20%	10	7.96	50	0.520	320
6R8	6.8	±5%, ±20%	10	7.96	40	0.650	280
100	10	±5%, ±10%	15	2.52	30	1.105	220
150	15	±5%, ±10%	15	2.52	27	1.690	180
220	22	±5%, ±10%	15	2.52	22	2.600	145
270	27	±5%, ±10%	15	2.52	19	3.000	125
330	33	±5%, ±10%	15	2.52	17	3.640	115
470	47	±5%, ±10%	20	2.52	15	5.460	105
680	68	±5%, ±10%	20	2.52	11	8.450	85
820	82	±5%, ±10%	20	2.52	10	8.710	80
101	100	±5%, ±10%	20	0.796	9	10.140	75

【NL Series】**Wire Wound Chip Inductor (Ferrite)**NL12 Wire Wound Chip Inductors (Ferrite / Molding Type) / **Large Current Type**

Codes	Inductance (μH)	Tolerance	Q min.	Test Freq. (MHz)	SRF (MHz) typ.	DCR (Ω) max.	IDC (mA) max.
1R0	1.0	±5%,±10%	10	7.96	265	0.11	1050
1R2	1.2	±5%,±10%	10	7.96	180	0.12	1000
1R5	1.5	±5%,±10%	10	7.96	170	0.15	950
1R8	1.8	±5%,±10%	10	7.96	105	0.16	900
2R2	2.2	±5%,±10%	10	7.96	80	0.18	850
2R7	2.7	±5%,±10%	10	7.96	60	0.20	800
3R3	3.3	±5%,±10%	10	7.96	55	0.22	750
3R9	3.9	±5%,±10%	10	7.96	45	0.24	700
4R7	4.7	±5%,±10%	10	7.96	43	0.27	650
5R6	5.6	±5%,±10%	10	7.96	40	0.30	650
6R8	6.8	±5%,±10%	10	7.96	35	0.35	600
8R2	8.2	±5%,±10%	10	7.96	30	0.40	600
100	10	±5%,±10%	10	2.52	27	0.50	550
120	12	±5%,±10%	10	2.52	25	0.60	500
150	15	±5%,±10%	10	2.52	20	0.70	450
180	18	±5%,±10%	10	2.52	19	0.80	400
220	22	±5%,±10%	10	2.52	18	0.90	370
270	27	±5%,±10%	10	2.52	16	1.20	330
330	33	±5%,±10%	10	2.52	15	1.40	300
390	39	±5%,±10%	10	2.52	13	1.60	280
470	47	±5%,±10%	10	2.52	12	1.90	260
560	56	±5%,±10%	10	2.52	10	2.20	240
680	68	±5%,±10%	10	2.52	9.5	2.60	220
820	82	±5%,±10%	10	2.52	8.5	3.50	200
101	100	±5%,±10%	20	0.796	8.0	4.00	180
121	120	±5%,±10%	20	0.796	7.0	4.50	160
151	150	±5%,±10%	20	0.796	6.5	6.50	140
181	180	±5%,±10%	20	0.796	6.0	7.50	120
221	220	±5%,±10%	20	0.796	5.5	9.00	120
271	270	±5%,±10%	20	0.796	5.0	11.0	100
331	330	±5%,±10%	20	0.796	4.5	13.0	90
391	390	±5%,±10%	20	0.796	4.0	14.0	85
471	470	±5%,±10%	20	0.796	3.5	16.0	75
561	560	±5%,±10%	20	0.796	3.0	21.0	70
681	680	±5%,±10%	20	0.796	2.5	24.0	65

【NL Series】**Wire Wound Chip Inductor (Ferrite)**NL20 Wire Wound Chip Inductors (Ferrite / Molding Type) / **Large Current Type**

Codes	Inductance (μH)	Tolerance	Q min.	Test Freq. (MHz)	SRF (MHz) min.	DCR (Ω) max.	IDC (mA) max.
1R0	1.0	±10, ±20%	10	7.96	95	0.03	1800
1R2	1.2	±10, ±20%	10	7.96	70	0.035	1700
1R5	1.5	±10, ±20%	10	7.96	55	0.04	1600
1R8	1.8	±10, ±20%	10	7.96	47	0.05	1400
2R2	2.2	±10, ±20%	10	7.96	42	0.06	1300
2R7	2.7	±10, ±20%	10	7.96	37	0.07	1200
3R3	3.3	±10, ±20%	10	7.96	34	0.08	1120
3R9	3.9	±10, ±20%	10	7.96	32	0.09	1050
4R7	4.7	±10, ±20%	10	7.96	29	0.11	950
5R6	5.6	±10, ±20%	10	7.96	26	0.13	880
6R8	6.8	±10, ±20%	10	7.96	24	0.15	810
8R2	8.2	±10, ±20%	10	7.96	22	0.18	750
100	10	±10, ±20%	10	2.52	19	0.21	690
120	12	±10, ±20%	10	2.52	17	0.25	630
150	15	±10, ±20%	10	2.52	16	0.30	580
180	18	±10, ±20%	10	2.52	14	0.36	530
220	22	±5, ±10%	10	2.52	13	0.43	480
270	27	±5, ±10%	10	2.52	11.5	0.52	440
330	33	±5, ±10%	10	2.52	10.5	0.62	400
390	39	±5, ±10%	10	2.52	9.5	0.72	370
470	47	±5, ±10%	10	2.52	8.5	0.85	340
560	56	±5, ±10%	10	2.52	7.8	1.00	310
680	68	±5, ±10%	10	2.52	7.0	1.2	290
820	82	±5, ±10%	10	2.52	6.4	1.4	270
101	100	±5, ±10%	20	0.796	6.0	1.6	250
121	120	±5, ±10%	20	0.796	5.4	1.9	230
151	150	±5, ±10%	20	0.796	4.8	2.2	210
181	180	±5, ±10%	20	0.796	4.4	2.8	190
221	220	±5, ±10%	20	0.796	3.9	3.4	170
271	270	±5, ±10%	20	0.796	3.6	4.2	155
331	330	±5, ±10%	20	0.796	3.2	4.9	140
391	390	±5, ±10%	20	0.796	2.9	5.8	130
471	470	±5, ±10%	20	0.796	2.6	7.0	120
561	560	±5, ±10%	20	0.796	2.4	8.5	110
681	680	±5, ±10%	20	0.796	2.2	10	100
821	820	±5, ±10%	20	0.796	2.0	13	90
102	1000	±5, ±10%	20	0.252	1.8	15	85

【NL Series】



Wire Wound Chip Inductor (Ferrite)

Environmental Characteristics

Electrical Performance Test

Item	Requirement	Test Method
Inductance	Refer to standard electrical characteristic spec.	HP4291 or HP4284
Q		HP4291 or HP4284
SRF		HP4291
DC Resistance DCR		Agilent 34401A
Rated Current IDC		Applied the current to coils, The inductance change should be less than 10% to initial value

Mechanical Performance Test

Item	Requirement	Test Method
Solderability	The electrodes shall be at least 90% covered with new solder coating	Lead-free inductor: after fluxing(alpha 100 or equiv), inductor shall be dipped in a melted solder bath at 245±5°C, 5±0.5 seconds
Resistance to Soldering Heat	Appearance: No damage	Pre-heating: 150°C, 1min. Solder Temperature: 260±5°C Immersion Time: 10±1 seconds
Vibration	Appearance: No damage L change: within±10% Q change: within±30% DCR: within specification	Test device shall be soldered on the substrate Oscillation Frequency: 10 to 55 to 10Hz for 1 min. Amplitude: 1.5 mm Time: 2 hrs for each axis (X, Y&Z), total 6 hrs

Climatic Test

Item	Requirement	Test Method															
Temperature Cycle	Appearance: No damage L change: within±10% Q change: within±30% DCR: within specification	One cycle: <table border="1"> <thead> <tr> <th>Step</th> <th>Temperature (°C)</th> <th>Time (min.)</th> </tr> </thead> <tbody> <tr> <td>1</td> <td>-25±3</td> <td>30</td> </tr> <tr> <td>2</td> <td>25±2</td> <td>3</td> </tr> <tr> <td>3</td> <td>85±3</td> <td>30</td> </tr> <tr> <td>4</td> <td>25±2</td> <td>3</td> </tr> </tbody> </table> Total: 100 cycles Measured after exposure in the room condition for 24 hrs	Step	Temperature (°C)	Time (min.)	1	-25±3	30	2	25±2	3	3	85±3	30	4	25±2	3
Step		Temperature (°C)	Time (min.)														
1		-25±3	30														
2		25±2	3														
3		85±3	30														
4	25±2	3															
Damp Heat with Load	Temperature: 40±2°C Relative Humidity: 90 ~ 95% Time: 1000 hrs Measured after exposure in the room condition for 24 hrs																
High Temperature Storage	Temperature: 85±3°C Applied Current: Rated Current Time: 1000 hrs Measured after exposure in the room condition for 24 hrs																
Low Temperature Storage	Temperature: -25±3°C Time: 1000 hrs Measured after exposure in the room condition for 24 hrs																

■ **Storage Temperature: 23±15°C; Humidity < 80%RH**

■ **Operating Temperature Range: -40~+85°C**

【NL Series】

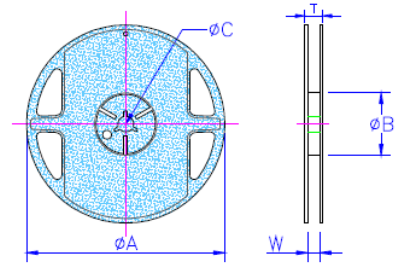


Wire Wound Chip Inductor (Ferrite)

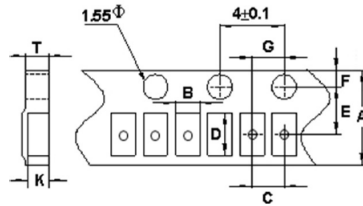
■Packaging

Packaging Quantity & Reel Specifications

Type	ΦA	ΦB	ΦC	W	T	Quantity (EA)
NL02	178±2.0	60±0.5	13±0.3	9±0.3	12±1.0	4000
NL03	178±2.0	60±0.5	13±0.3	9±0.3	12±1.0	4000
NL05	178±2.0	60±0.5	13±0.3	9±0.3	12±1.0	2000
NL08	178±2.0	60±0.5	13±0.3	9±0.3	12±1.0	2000
NL10	178±2.0	60±0.5	13±0.3	9±0.3	12±1.0	2000
NL12	178±2.0	80±0.5	13±0.3	13.2±0.3	16±1.0	500
NL20	330±2.0	100±0.5	13±0.3	17.4±0.3	22±1.0	1000

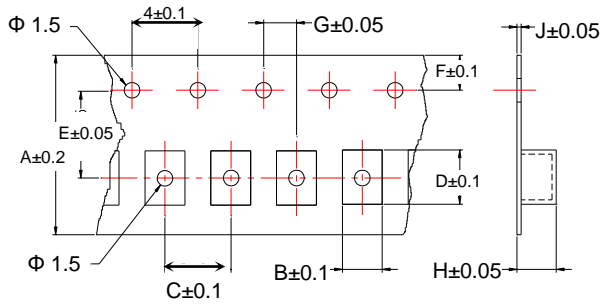


Paper Tape specifications



Type	A (mm)	B (mm)	C (mm)	D (mm)	E (mm)	F (mm)	G (mm)	T (mm)	K (mm)
NL02	8.0	0.67	2	1.20	3.5	1.75	2	0.75	0.59

Embossed Plastic Tape Specifications



Type	A mm	B mm	C mm	D mm	E mm	F mm	G mm	H mm	J mm
NL03	8	1.25	4	1.90	3.5	1.75	2	1.00	0.23
NL05	8	1.85	4	2.55	3.5	1.75	2	1.45	0.23
NL08	8	2.80	4	2.95	3.5	1.75	2	2.22	0.23
NL10	8	2.96	4	3.60	3.5	1.75	2	2.40	0.23
NL12	12	3.30	8	5.00	5.5	1.75	2	3.50	0.30
NL20	16	5.35	12	6.10	7.5	1.75	2	5.50	0.35

OUR CERTIFICATE

DiGi provide top-quality products and perfect service for customer worldwide through standardization, technological innovation and continuous improvement. DiGi through third-party certification, we stricly control the quality of products and services. Welcome your RFQ to

Email: Info@DiGi-Electronics.com



Tel: +00 852-30501935

RFQ Email: Info@DiGi-Electronics.com

DiGi is a global authorized distributor of electronic components.