

22-4508-20 Datasheet



DiGi Electronics Part Number	22-4508-20-DG
Manufacturer	Aries Electronics
Manufacturer Product Number	22-4508-20
Description	CONN IC DIP SOCKET 22POS GOLD
Detailed Description	22 (2 x 11) Pos DIP, 0.4" (10.16mm) Row Spacing Socket Gold Through Hole

<https://www.DiGi-Electronics.com>

This model 22-4508-20 is available at DiGi Electronics.

DiGi Electronics offers a global database of semiconductor and electronic component datasheets.

We welcome your inquiries regarding pricing, lead time, or other product-related questions.

 [Request a Quote](#)

 [Datasheet Search](#)



Tel: +00 852-30501935

RFQ Email: Info@DiGi-Electronics.com

DiGi is a global authorized distributor of electronic components.

Purchase and inquiry

Manufacturer Product Number:

22-4508-20

Series:

508

Type:

DIP, 0.4" (10.16mm) Row Spacing

Pitch - Mating:

0.100" (2.54mm)

Contact Finish Thickness - Mating:

30.0µin (0.76µm)

Mounting Type:

Through Hole

Termination:

Wire Wrap

Contact Finish - Post:

Tin

Contact Material - Post:

Brass

Operating Temperature:

-55°C ~ 105°C

Material Flammability Rating:

UL94 V-0

Contact Resistance:

-

Manufacturer:

Aries Electronics

Product Status:

Active

Number of Positions or Pins (Grid):

22 (2 x 11)

Contact Finish - Mating:

Gold

Contact Material - Mating:

Beryllium Copper

Features:

Open Frame

Pitch - Post:

0.100" (2.54mm)

Contact Finish Thickness - Post:

200.0µin (5.08µm)

Housing Material:

Polyamide (PA46), Nylon 4/6, Glass Filled

Termination Post Length:

0.360" (9.14mm)

Current Rating (Amps):

3 A

Base Product Number:

22-4508

Environmental & Export classification

RoHS Status:

ROHS3 Compliant

REACH Status:

REACH Unaffected

HTSUS:

8536.69.4040

Moisture Sensitivity Level (MSL):

1 (Unlimited)

ECCN:

EAR99



Series 508 Open Frame Socket w/Collet Contacts & Wire Wrap Pins

FEATURES

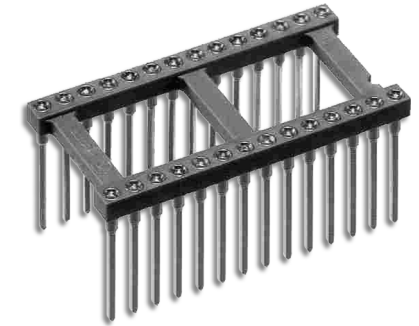
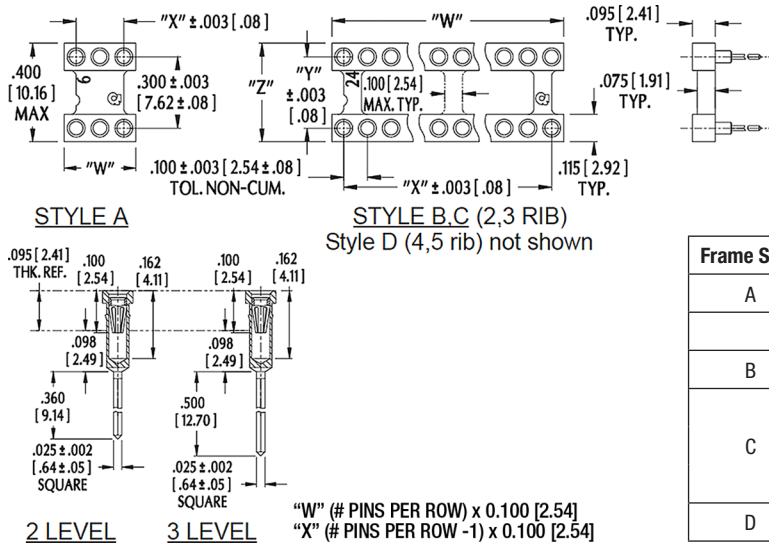
- Open Frame allows Efficient Utilization of Board Space with Optimized Cooling
- Available 2- and 3-level Wire Wrap Pins
- Compatible with Automatic Insertion Equipment
- Side-to-side and End-to-end Stackable

GENERAL SPECIFICATIONS

- **BODY MATERIAL:** Black UL 94V-0 Glass-filled 4/6 Nylon
- **PIN BODY:** Brass 360 1/2-hard per UNS C36000 ASTM B16/B16M-05
- **PIN BODY PLATING:** 10µ [0.25µ] min. Au per MIL-G-45204 or 200µ [5.08µ] min. 93/7 Sn/Pb per ASTM B545 -OR- 200µ [5.08µ] min. Sn per ASTM B545 Type 1 over 100µ [2.54µ] min. Ni per SAE AMS-QQ-N-290B
- **4-FINGER COLLET CONTACT:** BeCu per UNS C17200 ASTM B194-08
- **CONTACT PLATING:** 30µ [0.76µ] min. Au per MIL-G-45204 over 50µ [1.27µ] min. Ni per SAE AMS-QQ-N-290B
- **CONTACT CURRENT RATING:** 3 amps
- **OPERATING TEMPERATURE:** -67°F to 221°F [-55°C to 105°C] for Sn; -67°F to 257°F [-55°C to 125°C] for Au
- **INSERTION FORCE:** 180g/pin, based on 0.018 [0.46] dia. test lead
- **WITHDRAWAL FORCE:** 90g/pin, based on 0.018 [0.46] dia. test lead
- **NORMAL FORCE:** 140g/pin, based on 0.018 [0.46] dia. test lead
- **ACCEPTS LEADS:** 0.015-0.025 [0.38-0.64] dia., 0.110-0.160 [2.79-4.06] long

MOUNTING CONSIDERATIONS

- **SUGGESTED PCB HOLE SIZE:** 0.045 ±0.002 [1.14 ±0.05] dia.



ORDERING INFORMATION

XX-X 508 X XXX

- Plating**
0 = Au Collet, Sn Shell
OTL = Au Collet, Sn/Pb Shell
1 = Au Collet & Shell
- Termination**
2 = 2-level Wire Wrap
3 = 3-level Wire Wrap
- Series**
Row-to-Row Spacing, "Y" Dim.
3 = 0.300 [7.62]
4 = 0.400 [10.16]
6 = 0.600 [15.24]
9 = 0.900 [22.86]
- No. of Pins**
(See Table)

Frame Style	No. of Ribs	Centers "Y"	Dim. "Z"	No. of Pins
A	1	0.300 [7.62]	0.400 [10.16]	6
		0.300 [7.62]	0.400 [10.16]	8, 14, 16, 18, 20, 24
B	2	0.400 [10.16]	0.500 [12.70]	20, 22
		0.300 [7.62]	0.400 [10.16]	28
C	3	0.400 [10.16]	0.500 [12.70]	24
		0.600 [15.24]	0.700 [17.78]	24, 28, 32, 40, 48
		0.600 [15.24]	0.700 [17.78]	24, 28, 32, 40, 48
D	4, 5	0.900 [22.86]	1.000 [25.40]	50, 64

ALL DIMENSIONS: INCHES [MILLIMETERS]
 ALL TOLERANCES: ±0.005 [0.13] UNLESS OTHERWISE SPECIFIED
 OPEN FRAME COLLET SOCKET w/WIRE WRAP PINS, SEE DATA SHEET 12016
 OPEN FRAME SURFACE MOUNT SOCKET, SEE DATA SHEET 12018
 OPEN FRAME COLLET CAPACITOR SOCKET w/SOLDER PIN, SEE DATA SHEET 12026
 OPEN FRAME COLLET CAPACITOR SOCKET w/WIRE WRAP, SEE DATA SHEET 12027
 CONSULT FACTORY FOR OTHER SIZES AND CONFIGURATIONS

CUSTOMIZATION: ARIES SPECIALIZES IN CUSTOM DESIGN AND PRODUCTION. SPECIAL MATERIALS, PLATINGS, SIZES, AND CONFIGURATIONS CAN BE FURNISHED, DEPENDING ON QUANTITY.
 ARIES RESERVES THE RIGHT TO CHANGE PRODUCT GENERAL SPECIFICATIONS WITHOUT NOTICE
 PRINTOUTS OF THIS DOCUMENT MAY BE OUT-OF-DATE AND SHOULD BE CONSIDERED UNCONTROLLED



2609 Bartram Road • Bristol, PA 19007-6810 USA
 TEL 215-781-9956 • FAX 215-781-9845
 WWW.ARIESELEC.COM • INFO@ARIESELEC.COM



OUR CERTIFICATE

DiGi provide top-quality products and perfect service for customer worldwide through standardization, technological innovation and continuous improvement. DiGi through third-party certification, we stricly control the quality of products and services. Welcome your RFQ to

Email: Info@DiGi-Electronics.com



Tel: +00 852-30501935

RFQ Email: Info@DiGi-Electronics.com

DiGi is a global authorized distributor of electronic components.