

# WVL9EB5R6K Datasheet



The DNA of tech.®

DiGi Electronics Part Number	WVL9EB5R6K-DG
Manufacturer	<a href="#">Vishay Dale</a>
Manufacturer Product Number	WVL9EB5R6K
Description	ADJUSTABLE INDUCTOR 5.6UH TH
Detailed Description	5.6 $\mu$ H Adjustable Inductors 76 @ 7.9MHz Radial, Vertical Cylinder

<https://www.DiGi-Electronics.com>



Tel: +00 852-30501935

RFQ Email: [Info@DiGi-Electronics.com](mailto:Info@DiGi-Electronics.com)

DiGi is a global authorized distributor of electronic components.

## Purchase and inquiry

Manufacturer Product Number:

WVL9EB5R6K

Series:

WVL

Inductance:

5.6  $\mu$ H

Q @ Freq:

76 @ 7.9MHz

Package / Case:

Radial, Vertical Cylinder

Height:

0.430" (10.92mm)

Manufacturer:

Vishay Dale

Product Status:

Obsolete

Tolerance:

$\pm$ 10%

Mounting Type:

Through Hole

Size / Dimension:

0.300" Dia (7.62mm)

## Environmental & Export classification

RoHS Status:

ROHS3 Compliant

ECCN:

OBSOLETE

Moisture Sensitivity Level (MSL):

Not Applicable

HTSUS:

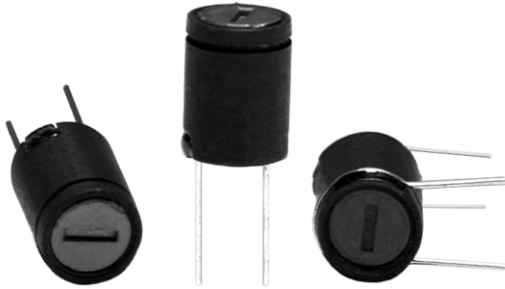
0000.00.0000





## Inductors, Variable, Subminiature

### Variable, Subminiature, Shielded



### ELECTRICAL SPECIFICATIONS

**Adjustable Inductance Range:** Tunable range;  $\pm 5\%$  for  $0.10\ \mu\text{H}$  to  $1\ \mu\text{H}$ .  $\pm 10\%$  for  $1.2\ \mu\text{H}$  to  $1000\ \mu\text{H}$

**Dielectric Strength:** 840 VRMS at sea level

**Working Voltage:** 300 VDC

**Maximum Current:** Based on temperature rise not to exceed  $15\ ^\circ\text{C}$  at  $+90\ ^\circ\text{C}$  ambient

**Incremental Current:** The DC current required to cause a five percent reduction in the nominal inductance value

**Operating Temperature:**  $-55\ ^\circ\text{C}$  to  $+105\ ^\circ\text{C}$

### FEATURES

- Classification is Grade 3, Class A
- Subminiature shielded adjustable inductor
- High Q values
- Vertical or horizontal mounting
- Inductance range is  $0.10\ \mu\text{H}$  to  $1000\ \mu\text{H}$
- $0.300''$  [ $7.62\ \text{mm}$ ] diameter by  $0.400''$  [ $10.16\ \text{mm}$ ] length
- Printed board mounting facilitated by  $0.200''$  [ $5.08\ \text{mm}$ ] grid spacing
- Unit has shield construction to allow maximum density packaging
- Accommodates close inductance adjustments in high density circuits that demand exceptional stability and high "Q" in the smallest size available



**RoHS**  
COMPLIANT

### MECHANICAL SPECIFICATIONS

**Tuning Tool:** Use Number WVL-T or equal

**Torque:** 0.40 to 6 inch-ounces

**Terminal Pull:** 3 pounds

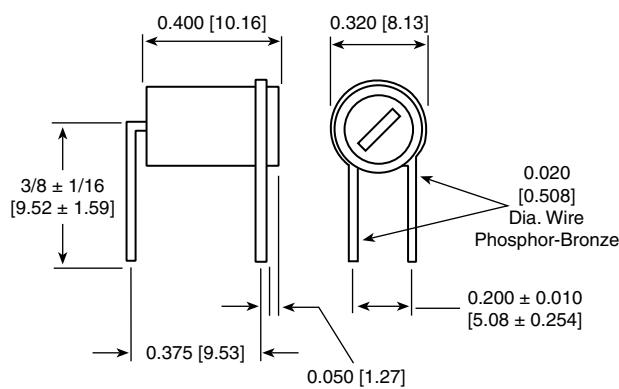
### DENSITY SPECIFICATIONS

**Weight:** 1.5 grams maximum

**Shielding:** 3 % coupling maximum when two units are tested side by side

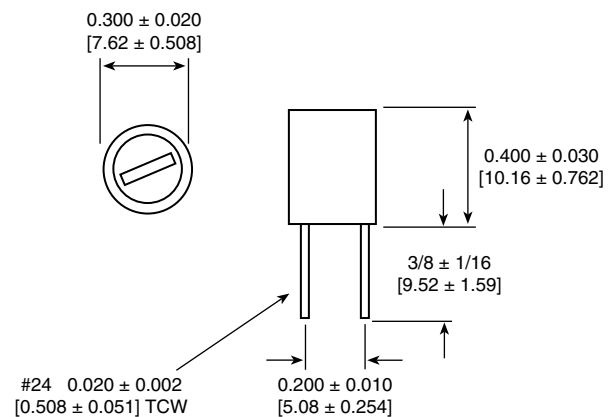
### DIMENSIONS in inches [millimeters]

#### Horizontal Style



**Horizontal Mounting Clip Part Number ACS-57**  
(One required per unit.)

#### Vertical Style



WVL



Vishay Dale

Inductors, Variable, Subminiature,  
Variable, Subminiature, Shielded

STANDARD ELECTRICAL SPECIFICATIONS								
MODEL	INDUCTANCE NOM. ( $\mu$ H)	TURNABLE RANGE	Q MINIMUM	TEST FREQ. (MHz)	SELF-RESONANT FREQ. NOM. (MHz)	DCR MAXIMUM (Ohms)	RATED DC CURRENT (mA)	INCREMENTAL* CURRENT (mA)
WVL	0.10	$\pm 5\%$	56	25	200	0.030	1510	-
WVL	0.12	$\pm 5\%$	56	25	200	0.030	1450	-
WVL	0.15	$\pm 5\%$	56	25	200	0.030	1400	-
WVL	0.18	$\pm 5\%$	56	25	200	0.035	1370	-
WVL	0.22	$\pm 5\%$	56	25	200	0.038	1340	-
WVL	0.27	$\pm 5\%$	64	25	200	0.040	1300	-
WVL	0.33	$\pm 5\%$	64	25	200	0.040	1260	-
WVL	0.39	$\pm 5\%$	64	25	200	0.045	1240	-
WVL	0.47	$\pm 5\%$	64	25	184	0.045	1200	-
WVL	0.56	$\pm 5\%$	64	25	176	0.050	1160	-
WVL	0.68	$\pm 5\%$	64	25	150	0.055	1100	-
WVL	0.82	$\pm 5\%$	68	25	144	0.060	1040	-
WVL	1.0	$\pm 5\%$	68	25	128	0.070	986	-
WVL	1.2	$\pm 10\%$	72	7.9	136	0.085	968	-
WVL	1.5	$\pm 10\%$	80	7.9	124	0.100	893	-
WVL	1.8	$\pm 10\%$	92	7.9	108	0.110	853	-
WVL	2.2	$\pm 10\%$	88	7.9	96	0.120	817	-
WVL	2.7	$\pm 10\%$	88	7.9	83	0.125	800	-
WVL	3.3	$\pm 10\%$	77	7.9	74	0.165	696	-
WVL	3.9	$\pm 10\%$	72	7.9	70	0.180	659	-
WVL	4.7	$\pm 10\%$	76	7.9	63	0.245	571	-
WVL	5.6	$\pm 10\%$	76	7.9	58	0.265	550	-
WVL	6.8	$\pm 10\%$	68	7.9	50	0.330	493	-
WVL	8.2	$\pm 10\%$	76	7.9	48	0.460	417	-
WVL	10	$\pm 10\%$	72	7.9	43	0.640	359	-
WVL	12	$\pm 10\%$	96	2.5	30	0.800	316	-
WVL	15	$\pm 10\%$	96	2.5	23	0.865	301	-
WVL	18	$\pm 10\%$	92	2.5	19	0.940	292	-
WVL	22	$\pm 10\%$	100	2.5	17	1.03	267	-
WVL	27	$\pm 10\%$	92	2.5	16	1.18	243	-
WVL	33	$\pm 10\%$	96	2.5	15	1.30	231	-
WVL	39	$\pm 10\%$	96	2.5	14	1.41	223	-
WVL	47	$\pm 10\%$	88	2.5	12	1.61	203	-
WVL	56	$\pm 10\%$	92	2.5	11	2.08	191	-
WVL	68	$\pm 10\%$	84	2.5	10	2.20	185	-
WVL	82	$\pm 10\%$	84	2.5	9	2.42	174	-
WVL	100	$\pm 10\%$	76	2.5	8.4	2.15	333	333
WVL	120	$\pm 10\%$	76	0.79	4.5	2.38	316	190
WVL	150	$\pm 10\%$	72	0.79	4.0	2.52	306	175
WVL	180	$\pm 10\%$	76	0.79	3.9	2.88	288	150
WVL	220	$\pm 10\%$	76	0.79	3.7	3.18	273	125
WVL	270	$\pm 10\%$	80	0.79	3.4	3.50	260	120
WVL	330	$\pm 10\%$	80	0.79	2.8	4.80	222	110
WVL	390	$\pm 10\%$	80	0.79	2.7	5.44	209	105
WVL	470	$\pm 10\%$	80	0.79	2.6	5.90	201	100
WVL	560	$\pm 10\%$	76	0.79	2.3	6.30	194	90
WVL	680	$\pm 10\%$	80	0.79	2.2	7.20	181	80
WVL	820	$\pm 10\%$	72	0.79	2.0	8	172	70
WVL	1000	$\pm 10\%$	80	0.79	1.9	12	141	65

**MARKING**

- Manufacturer data printed



**WVL**

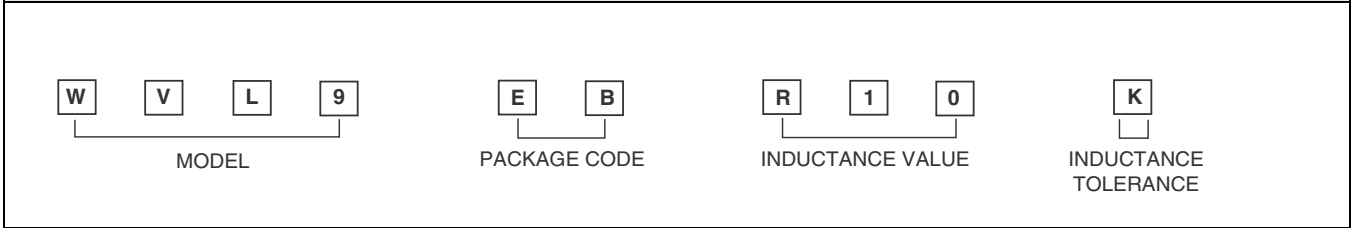
Inductors, Variable, Subminiature,  
Variable, Subminiature, Shielded

Vishay Dale

**ORDERING INFORMATION**

WVL	0.10 $\mu$ H	5 %	EB	e2
MODEL	INDUCTANCE VALUE	INDUCTANCE TOLERANCE	PACKAGE CODE	JEDEC LEAD (Pb)-FREE STANDARD

**GLOBAL PART NUMBER**





## Notice

Specifications of the products displayed herein are subject to change without notice. Vishay Intertechnology, Inc., or anyone on its behalf, assumes no responsibility or liability for any errors or inaccuracies.

Information contained herein is intended to provide a product description only. No license, express or implied, by estoppel or otherwise, to any intellectual property rights is granted by this document. Except as provided in Vishay's terms and conditions of sale for such products, Vishay assumes no liability whatsoever, and disclaims any express or implied warranty, relating to sale and/or use of Vishay products including liability or warranties relating to fitness for a particular purpose, merchantability, or infringement of any patent, copyright, or other intellectual property right.

The products shown herein are not designed for use in medical, life-saving, or life-sustaining applications. Customers using or selling these products for use in such applications do so at their own risk and agree to fully indemnify Vishay for any damages resulting from such improper use or sale.

## OUR CERTIFICATE

DiGi provide top-quality products and perfect service for customer worldwide through standardization, technological innovation and continuous improvement. DiGi through third-party certification, we stricly control the quality of products and services. Welcome your RFQ to

Email: [Info@DiGi-Electronics.com](mailto:Info@DiGi-Electronics.com)



Tel: +00 852-30501935

RFQ Email: [Info@DiGi-Electronics.com](mailto:Info@DiGi-Electronics.com)

DiGi is a global authorized distributor of electronic components.