

0242.080UR Datasheet



<https://www.DiGi-Electronics.com>

DiGi Electronics Part Number	0242.080UR-DG
Manufacturer	Littelfuse Inc.
Manufacturer Product Number	0242.080UR
Description	FUSE CARTRIDGE 80MA 250VAC/VDC
Detailed Description	80mA 250 VAC 250 VDC Fuse Cartridge Surface Mount

This model 0242.080UR is available at DiGi Electronics.

DiGi Electronics offers a global database of semiconductor and electronic component datasheets.

We welcome your inquiries regarding pricing, lead time, or other product-related questions.

 [Request a Quote](#)

 [Datasheet Search](#)



Tel: +00 852-30501935

RFQ Email: Info@DiGi-Electronics.com

DiGi is a global authorized distributor of electronic components.

Purchase and inquiry

Manufacturer Product Number:

0242.080UR

Series:

242

Mounting Type:

Surface Mount

Current Rating (Amps):

80mA

Voltage Rating - DC:

250 VDC

Applications:

Hazardous Locations

Class:

-

Operating Temperature:

-40°C ~ 125°C

Package / Case:

Cartridge, Non-Standard

Melting I²t:

0.000214

Manufacturer:

Littelfuse Inc.

Product Status:

Active

Fuse Type:

Cartridge

Voltage Rating - AC:

250 VAC

Response Time:

Fast Blow

Features:

Intrinsically Safe

Approval Agency:

cURus

Breaking Capacity @ Rated Voltage:

4kA

Size / Dimension:

0.119" Dia x 0.331" L (3.02mm x 8.40mm)

DC Cold Resistance:

8.19 Ohms

Environmental & Export classification

RoHS Status:

ROHS3 Compliant

REACH Status:

REACH Unaffected

HTSUS:

8536.10.0040

Moisture Sensitivity Level (MSL):

Not Applicable


ECCN:

EAR99

242 Series Barrier Fuse




Agency Approvals

Agency	Agency File Number	Ampere Range
	E10480	0.040A - 0.250A

Electrical Characteristics

% of Ampere Rating	Opening Time
100%	4 hours, Minimum
300%	10 seconds, Maximum
1000%	0.002 seconds, Maximum

Electrical Characteristics

Ampere Rating (A)	Amp Code	Body Color Coding	Interrupting Rating	Nominal Cold Resistance (Ohms)	Nominal Melting I ² t (A ² Sec.)	Agency Approvals
						
0.040	.040	Gold	4000A @ 250VAC/VDC	16.48	0.000078	x
0.050	.050	Red		11.34	0.000103	x
0.080	.080	Green		8.19	0.000214	x
0.100	.100	Blue		3.60	0.000977	x
0.125	.125	Orange		3.78	0.001026	x
0.160	.160	Violet		3.00	0.00157	x
0.200	.200	Brown		2.68	0.0025	x
0.250	.250	Black		1.6	0.00579	x

Description

The 242 Series fuse is designed for barrier circuits in intrinsic safety applications relating to Hazardous Locations. Ranging from 40mA to 250mA, the 242 Series provides overcurrent protection solutions to fit many Hazardous Location barrier applications.

Features

- High interrupting rating suitable for intrinsic safety protection of hazardous locations equipment.
- Available in both axial lead and surface mount.
- RoHS compliant and Halogen-free.

Applications

- Intrinsic safety electrical equipment; Electrical connections and components; Test equipment
- Barriers providing intrinsically safe outputs to Hazardous Locations

Additional Information



Datasheet



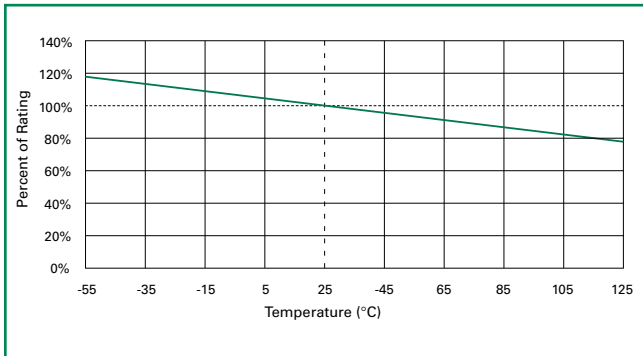
Resources



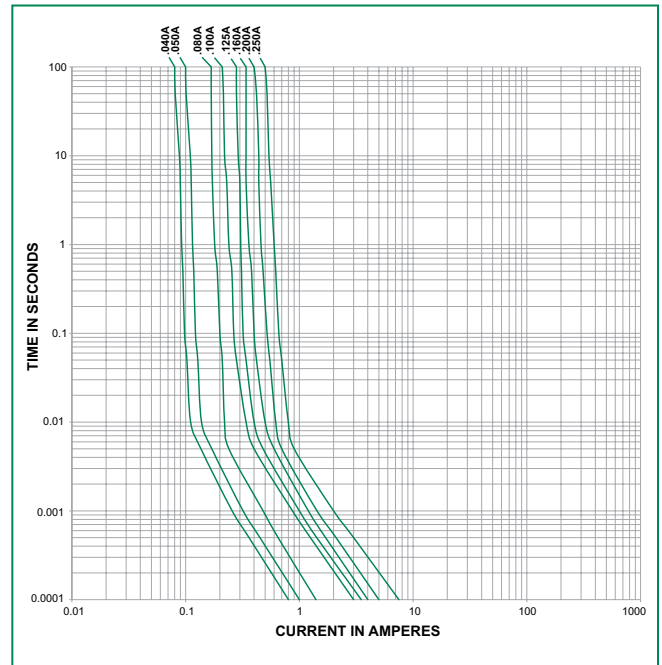
Samples

Disclaimer Notice - Information furnished is believed to be accurate and reliable. However, users should independently evaluate the suitability of and test each product selected for their own applications. Littelfuse products are not designed for, and may not be used in, all applications. Read complete Disclaimer Notice at: www.littelfuse.com/disclaimer-electronics.

Temperature De-Rating Curve

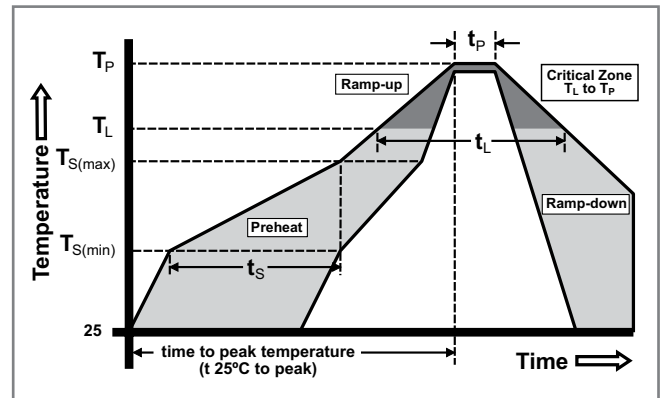


Average Time Current Curves



Soldering Parameters

Reflow Condition		Pb – Free assembly
Pre Heat	- Temperature Min ($T_{s(min)}$)	150°C
	- Temperature Max ($T_{s(max)}$)	200°C
	- Time (min to max) (t_s)	60 – 180 secs
Average ramp up rate (Liquidus Temp (T_L) to peak)		5°C/second max
$T_{s(max)}$ to T_L - Ramp-up Rate		5°C/second max
Reflow	- Temperature (T_L) (Liquidus)	217°C
	- Temperature (t_l)	60 – 150 seconds
Peak Temperature (T_p)		250 ^{+0/-5} °C
Time within 5°C of actual peak Temp. (t_p)		20 – 40 seconds
Ramp-down Rate		5°C/second max
Time 25°C to peak Temperature (T_p)		8 minutes Max.
Do not exceed		260°C



Wave Soldering

260°C, 10 seconds max.

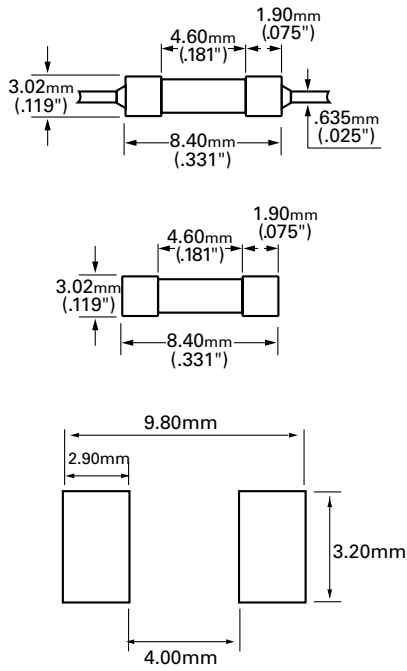
Material Information

Body	Ceramic
Leads	Tin-Plated Copper
Endcaps	Silver-Plated Brass

Product Characteristics

Operating Temperature	-40°C to 125°C (Consider re-rating)
Thermal Shock	Withstands 5 cycles of - 55°C to 125°C
Vibration	Per MIL-STD-202 Method 201
Insulation Resistance (After Opening)	Greater than 10,000 ohms.

Dimensions



Part Numbering System

0242.050UAT1

SERIES _____

AMP CODE _____

Refer to Amp Code column in the Electrical Specifications table.

QUANTITY & PACKAGING CODE _____

HAT1 = 100 pcs, Axial Leaded, Ammo Pack T1 Tape

UAT1 = 500 pcs, Axial Leaded, Ammo Pack T1 Tape

UR = 500 pcs, Surface Mount, Tape & Reel

Disclaimer Notice - Information furnished is believed to be accurate and reliable. However, users should independently evaluate the suitability of and test each product selected for their own applications. Littelfuse products are not designed for, and may not be used in, all applications. Read complete Disclaimer Notice at: www.littelfuse.com/disclaimer-electronics.

OUR CERTIFICATE

DiGi provide top-quality products and perfect service for customer worldwide through standardization, technological innovation and continuous improvement. DiGi through third-party certification, we stricly control the quality of products and services. Welcome your RFQ to

Email: Info@DiGi-Electronics.com



Tel: +00 852-30501935

RFQ Email: Info@DiGi-Electronics.com

DiGi is a global authorized distributor of electronic components.