

# 0287030.PXCN Datasheet

[www.digi-electronics.com](http://www.digi-electronics.com)



<https://www.DiGi-Electronics.com>

DiGi Electronics Part Number	0287030.PXCN-DG
Manufacturer	<a href="#">Littelfuse Inc.</a>
Manufacturer Product Number	0287030.PXCN
Description	FUSE AUTO 30A 32VDC BLADE ATO
Detailed Description	30 A AC 32 V DC Fuse Automotive Requires Holder Blade, ATO/ATC

This model 0287030.PXCN is available at DiGi Electronics.

DiGi Electronics offers a global database of semiconductor and electronic component datasheets.

We welcome your inquiries regarding pricing, lead time, or other product-related questions.

 [Request a Quote](#)

 [Datasheet Search](#)



Tel: +00 852-30501935

RFQ Email: [Info@DiGi-Electronics.com](mailto:Info@DiGi-Electronics.com)

DiGi is a global authorized distributor of electronic components.

## Purchase and inquiry

Manufacturer Product Number:

0287030.PXCN

Series:

ATOF®

Mounting Type:

Requires Holder

Current Rating (Amps):

30 A

Response Time:

-

Breaking Capacity @ Rated Voltage:

-

Approval Agency:

CSA, UL

Color:

Green

DC Cold Resistance:

0.00197 Ohms

Manufacturer:

Littelfuse Inc.

Product Status:

Active

Fuse Type:

Automotive

Voltage Rating - DC:

32 V

Package / Case:

Blade, ATO/ATC

Melting I<sup>2</sup>t:

1510

Operating Temperature:

-40°C ~ 105°C

Size / Dimension:

0.752" L x 0.201" W x 0.484" H (19.10mm x 5.10mm x 12.30mm)

## Environmental & Export classification

RoHS Status:

ROHS3 Compliant

REACH Status:

REACH Unaffected

HTSUS:

8536.10.0040

Moisture Sensitivity Level (MSL):

Not Applicable

ECCN:

EAR99

# ATOF® Series

## Blade Fuses – Rated 32V



### Description

ATOF® automotive blade fuses were developed to take the place of obsolete ATO Series 257 fuses. Automakers consider ATOF fuses standard equipment for protecting low-voltage circuits.

### Features & Benefits

- Color coding indicates amperage rating
- See-through housings make it easier to see when fuses blow
- Checkpoints on top make it possible to measure resistance without removing the fuse
- Shunt version available (Tin plated only)
- High-contrast ampere stamps on housings aid identification
- Simple to install and remove
- Comply with ISO 8820-3

### Applications

- Cars / SUVs
- Trucks
- Offroad vehicles
- Buses
- Watercraft as approved by Littelfuse®

### Agency Approvals

Agency	Agency File Number	Current Rating (A)
	20150609-E71611	1 – 40

[See Disclaimer Notice](#)

### Specifications

<b>Voltage Rating:</b>	32 V DC
<b>Interrupting Rating:</b>	1000 A @ 32 V DC
<b>Recommended Environmental Temperature:</b>	–40 °C to +125 °C (ATOF® ) –40 °C to +105 °C (ATOF® Shunt)
<b>Terminals Material:</b>	Tin- or silver-plated*
<b>Housing Material:</b>	PA66 (UL 94 Flammability rating of V-2)
<b>Typical Weight Per Fuse:</b>	1.4 g
<b>Comply With:</b>	SAE J1284 and ISO 8820-3
<b>UL Listed:</b>	File AU1410
<b>CSA Certified:</b>	File No. 29862

\*Note: Silver plating allows up to 150 °C at the terminal interface.

### Additional Information



Resources



Samples

### Ordering Information

Part Name	Part Number	Current Rating (A)	Package Size
ATOF® (Tin Plated)	0287xxx.PXCN	1–40 & Shunt	2000
	0287xxx.U	1–40	500
	0287xxx.H	1–40	100
	0287xxx.L	1–40	50
ATO Ag (Silver-Plated)	0287xxx.PXS	1–40	2000

# ATOF® Series

## Blade Fuses – Rated 32V

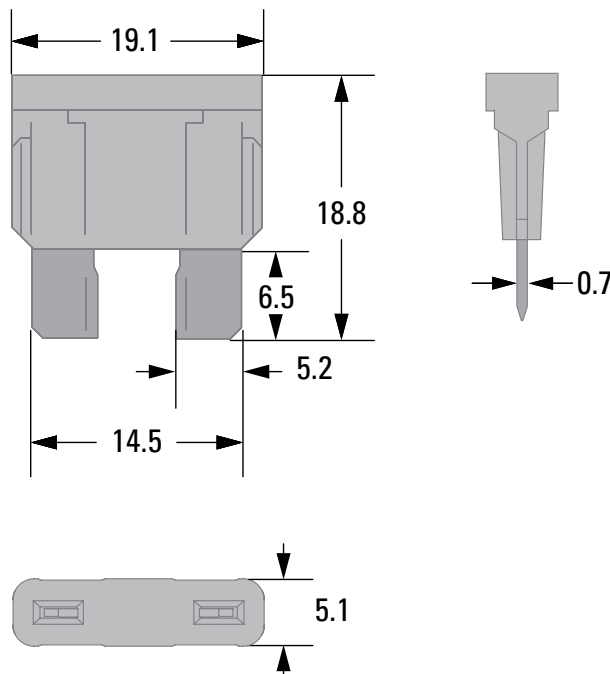
### Ratings

Part Number	Current Rating (A)	Housing Material Color	Test Cable Size (mm <sup>2</sup> )	Typ. Voltage Drop (mV)	Typ. Cold Resistance (mΩ)	Typ. I <sup>2</sup> t (A <sup>2</sup> s)
0287001_	1	Black	0.35	176	123	0.4
0287002_	2	Grey	0.35	141	53.5	1.4
0287003_	3	Purple	0.35	137	31.1	7.4
0287004_	4	Pink	0.35	136	22.8	14
0287005_	5	Brown	0.5	128	17.85	26
0287075_	7.5	Dark Brown	0.75	116	10.91	60
0287010_	10	Red	1	109	7.70	115
0287015_	15	Blue	1.5	102	4.80	340
0287020_	20	Yellow	2.5	98	3.38	520
0287025_	25	Light Orange	2.5	92	2.52	1000
0287030_	30	Teal	4	84	1.97	1500
0287035_	35	Dark Green	6	87	1.61	2300
0287040_	40	Orange	6	96	1.44	3300
0287900_	SHUNT	White	-	-	-	-

**Note:** The typical I<sup>2</sup>t is an average value calculated from the breaking capacity tests by using the melting time before the arcing occurs.

### Dimensions

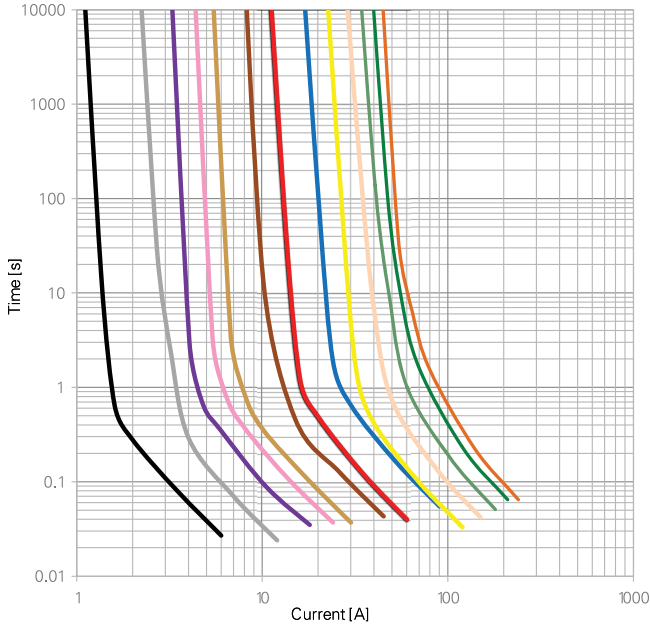
Dimensions in mm. Please refer to the outline drawing for dimensions and tolerances.



# ATOF® Series

## Blade Fuses – Rated 32V

### Time-Current Characteristic



% of Rating	Current Rating (A)	Opening Time Min. / Max. (s)
100	35 – 40	360 000 / –
110	1 – 30	360 000 / –
135	1 – 2 3 – 40	0.35 / 600 0.750 / 600
160	1 – 40	0.250 / 50
200	1 – 2 3 – 40	0.1 / 5 0.15 / 5
350	1 – 2 3 – 40	0.02 / 0.5 0.08 / 0.5
600	1 – 30 35 – 40	0.1 max 0.15 max

- 1 A
- 2 A
- 3 A
- 4 A
- 5 A
- 7.5 A
- 10 A
- 15 A
- 20 A
- 25 A
- 30 A
- 35 A
- 40 A

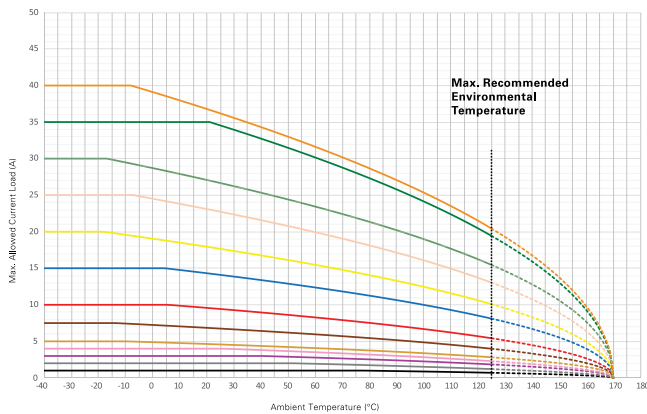
**Note:** Current recommendation may be impacted by the final condition of the application (terminals characteristics, wire size etc.). Please contact Littelfuse® for more information.

### Typical Derating Curves

Temperature security margin is 20%.

Wire cross-section and fixture test setup refer to ISO 8820-3.

Please contact Littelfuse® for Details Regarding Derating Test Set Up.



	Max. allowed current load (A) at ambient temperature based on typical derating (°C)						
	-40	0	20	65	85	110	125
<b>1 A</b>	1	1	1	1	1	1	1
<b>2 A</b>	2	2	2	2	2	1	1
<b>3 A</b>	3	3	3	3	2	2	2
<b>4 A</b>	4	4	4	3	3	3	2
<b>5 A</b>	5	5	5	4	4	3	3
<b>7.5 A</b>	8	7	7	6	5	5	4
<b>10 A</b>	10	10	10	8	7	6	5
<b>15 A</b>	15	15	14	12	11	9	8
<b>20 A</b>	20	19	18	15	14	12	10
<b>25 A</b>	25	25	23	19	18	15	13
<b>30 A</b>	30	29	27	23	21	18	15
<b>35 A</b>	35	35	35	29	27	22	19
<b>40 A</b>	40	39	37	31	28	24	20

- 1 A
- 2 A
- 3 A
- 4 A
- 5 A
- 7.5 A
- 10 A
- 15 A
- 20 A
- 25 A
- 30 A
- 35 A
- 40 A

**Note 1:** ATOF® SHUNT Maximum Continuous Load at 85°C: 40A.

**Note 2:** Current recommendation may be impacted by the final condition of the application (terminals characteristics, wire size etc.). Please contact Littelfuse® for more information.

**Disclaimer Notice** - Information furnished is believed to be accurate and reliable. However, users should independently evaluate the suitability of and test each product selected for their own applications. Littelfuse products are not designed for, and may not be used in, all applications. Read complete Disclaimer Notice at <https://www.littelfuse.com/legal/disclaimers/product-disclaimer.aspx>

## OUR CERTIFICATE

DiGi provide top-quality products and perfect service for customer worldwide through standardization, technological innovation and continuous improvement. DiGi through third-party certification, we stricly control the quality of products and services. Welcome your RFQ to

Email: [Info@DiGi-Electronics.com](mailto:Info@DiGi-Electronics.com)



Tel: +00 852-30501935

RFQ Email: [Info@DiGi-Electronics.com](mailto:Info@DiGi-Electronics.com)

DiGi is a global authorized distributor of electronic components.