

# 0297025.U Datasheet



<https://www.DiGi-Electronics.com>

DiGi Electronics Part Number	0297025.U-DG
Manufacturer	<a href="#">Littelfuse Inc.</a>
Manufacturer Product Number	0297025.U
Description	FUSE AUTO 25A 32VDC BLADE MINI
Detailed Description	25 A AC 32 V DC Fuse Automotive Requires Holder Blade, Miniature

This model 0297025.U is available at DiGi Electronics.

DiGi Electronics offers a global database of semiconductor and electronic component datasheets.

We welcome your inquiries regarding pricing, lead time, or other product-related questions.

 [Request a Quote](#)

 [Datasheet Search](#)



Tel: +00 852-30501935

RFQ Email: [Info@DiGi-Electronics.com](mailto:Info@DiGi-Electronics.com)

DiGi is a global authorized distributor of electronic components.

## Purchase and inquiry

Manufacturer Product Number:

0297025.U

Series:

MINI® 297

Mounting Type:

Requires Holder

Current Rating (Amps):

25 A

Response Time:

Fast Blow

Breaking Capacity @ Rated Voltage:

1kA

Approval Agency:

SAE, UL

Color:

Clear

DC Cold Resistance:

0.00236 Ohms

Manufacturer:

Littelfuse Inc.

Product Status:

Active

Fuse Type:

Automotive

Voltage Rating - DC:

32 V

Package / Case:

Blade, Miniature

Melting I<sup>2</sup>t:

625

Operating Temperature:

-40°C ~ 125°C

Size / Dimension:

0.429" L x 0.150" W x 0.346" H (10.90mm x 3.80mm x 8.80mm)

## Environmental & Export classification

RoHS Status:

ROHS3 Compliant

REACH Status:

REACH Unaffected

HTSUS:

8536.10.0040

Moisture Sensitivity Level (MSL):

1 (Unlimited)

ECCN:

EAR99

# MINI® Series

## Blade Fuses – Rated 32V



### Description

MINI® 32V automotive blade fuses boast a miniature design that allows automakers to pack more circuit protection into less space. Despite their light weight, MINI® fuses perform reliably in adverse environments and at extreme temperatures.

### Features & Benefits

- Color coding indicates amperage rating for each fuse
- See-through housings make it easier to see when fuses blow
- High-contrast ampere stamps on the top of the housing aids identification
- Checkpoints on top make it possible to measure resistance without removing the fuse
- Simple to install and remove
- Comply with ISO 8820-3

### Applications

- Cars / SUVs
- Trucks
- Offroad vehicles
- Buses
- Watercraft as approved by Littelfuse®

### Agency Approvals

Agency	Agency File Number	Current Rating (A)
	20150609-E71611	2 – 30

### Additional Information



Resources



Samples

### See Disclaimer Notice

### Specifications

<b>Voltage Rating:</b>	32 V DC
<b>Interrupting Rating:</b>	1000 A @ 32 V DC
<b>Recommended Environmental Temperature:</b>	-40 °C to +125 °C
<b>Terminals Material:</b>	Silver-plated or Tin-plated zinc alloy *
<b>Housing Material:</b>	PA66 (UL 94 Flammability rating of V-2)
<b>Typical Weight per Fuse:</b>	0.57 g
<b>Comply With:</b>	Ag plated: SAE J2077, ISO 8820-3, UL 248 Special Purpose Fuses Sn plated: SAE J2077, ISO 8820-3 not UL recognized

\*Note: Tin plating's temperature limit is ≈130°C. Silver plating allows up to 150°C at the terminal interface.

### Ordering Information

Part Name	Part Number	Current Rating (A)	Package Size
Ag plated	0297xxx.WXNV	2 - 30 & SHUNT	3000
	0297xxx.U	2 - 30	500
	0297xxx.H	2 - 30	100
	0297xxx.L	2 - 30	50
Sn plated	0297xxx.WXT	2 - 30	3000

# MINI® Series

## Blade Fuses – Rated 32V

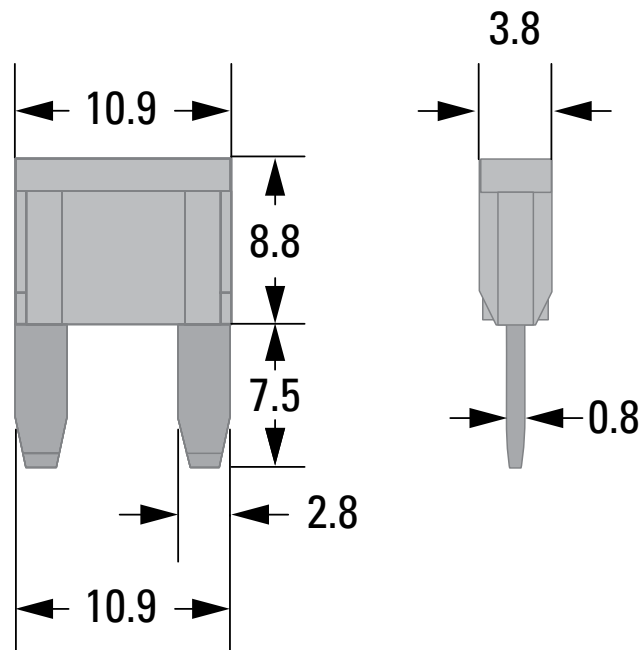
### Ratings

Part Number	Current Rating (A)	Housing Material Color	Test Cable Size (mm <sup>2</sup> )	Typ. Voltage Drop (mV)	Typ. Cold Resistance (mΩ)	Typ. I <sup>2</sup> t (A <sup>2</sup> s)
0297002_	2	Grey	0.5	171	55.60	9
0297003_	3	Purple	0.5	153	33.75	20
0297004_	4	Pink	0.5	121	23.48	31
0297005_	5	Brown	0.5	129	17.75	37
0297075_	7.5	Dark Brown	0.75	135	10.85	82
0297010_	10	Red	1	108	7.42	122
0297015_	15	Blue	1.5	98	4.58	308
0297020_	20	Yellow	2.5	96	3.21	442
0297025_	25	Light Orange	2.5	86	2.36	622
0297030_	30	Green	4	87	1.85	1230
0297900_	SHUNT	ST	-	-	-	-

**Note:** The typical I<sup>2</sup>t is an average value calculated from the breaking capacity tests by using the melting time before the arcing occurs.

### Dimensions

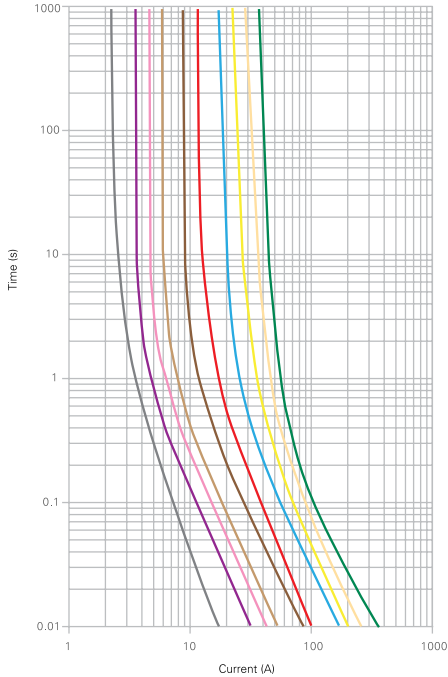
Dimensions in mm. Please refer to the outline drawing for dimensions and tolerances.



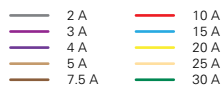
# MINI® Series

## Blade Fuses – Rated 32V

### Time-Current Characteristic



% of Rating	Opening Time Min. / Max. (s)
110	360 000 / -
135	0.75 / 600
200	0.15 / 5
350	0.08 / 0.5
600	0.03 / 0.1

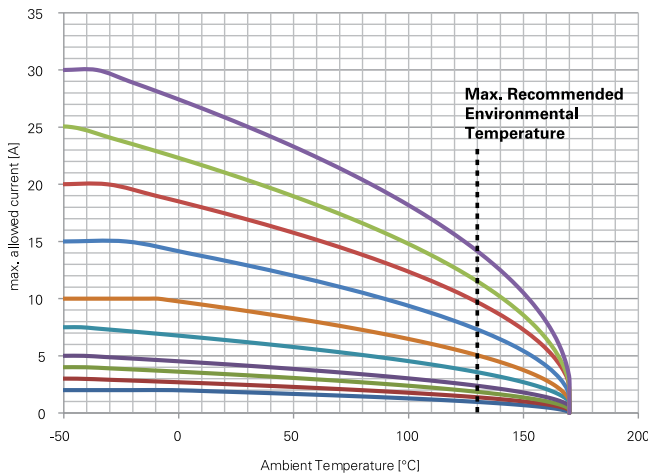


**Note:** Current recommendation may be impacted by the final condition of the application (terminals characteristics, wire size etc.). Please contact Littelfuse® for more information.

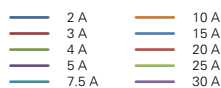
### Typical Derating Curves

Temperature security margin is 20%.

Please contact Littelfuse® for Details Regarding Derating Test Set Up.



	Max. allowed current load (A) at ambient temperature based on typical derating							
	-40 °C	-20 °C	0 °C	20 °C	40 °C	60 °C	80 °C	100 °C
<b>2A</b>	2.0	2.0	2.0	1.9	1.7	1.6	1.4	1.3
<b>3A</b>	3.0	2.8	2.7	2.5	2.4	2.2	2.0	1.8
<b>4A</b>	4.0	3.8	3.6	3.4	3.2	2.9	2.7	2.4
<b>5A</b>	5.0	4.8	4.5	4.3	4.0	3.7	3.4	3.0
<b>7.5A</b>	7.5	7.1	6.8	6.4	6.0	5.5	5.1	4.5
<b>10A</b>	10	10	9.8	9.2	8.6	8.0	7.3	6.5
<b>15A</b>	15	15	14	13	12	12	11	9.0
<b>20A</b>	20	19	18	17	16	15	14	12
<b>25A</b>	25	24	22	21	20	18	17	15
<b>30A</b>	30	29	27	26	24	22	20	18



**Note 1:** MINI SHUNT Maximum Continuous Load at 85°C: 20A

**Note 2:** Current recommendation may be impacted by the final condition of the application (terminals characteristics, wire size etc.). Please contact Littelfuse® for more information.

**Disclaimer Notice** - Information furnished is believed to be accurate and reliable. However, users should independently evaluate the suitability of and test each product selected for their own applications. Littelfuse products are not designed for, and may not be used in, all applications. Read complete Disclaimer Notice at <https://www.littelfuse.com/legal/disclaimers/product-disclaimer.aspx>

## OUR CERTIFICATE

DiGi provide top-quality products and perfect service for customer worldwide through standardization, technological innovation and continuous improvement. DiGi through third-party certification, we stricly control the quality of products and services. Welcome your RFQ to

Email: [Info@DiGi-Electronics.com](mailto:Info@DiGi-Electronics.com)



Tel: +00 852-30501935

RFQ Email: [Info@DiGi-Electronics.com](mailto:Info@DiGi-Electronics.com)

DiGi is a global authorized distributor of electronic components.